

INSTALLATION MANUAL

46-inch Mulch Kit — 19A30005OEM

Model 19A30005OEM mulch kit is designed for use with select 46-inch two-blade cutting decks. Refer to your lawn tractor's Operator's Manual to assure compatibility.

Carton Contents

Before beginning installation, remove all parts from the carton to make sure everything is present. Carton contents are listed below and shown in Fig. 1-1. Part numbers are shown in parentheses.

- Two 23.25" Mulch Blades (742-04268)
- One 46" Deck Mulch Plug Assembly (631-04327)

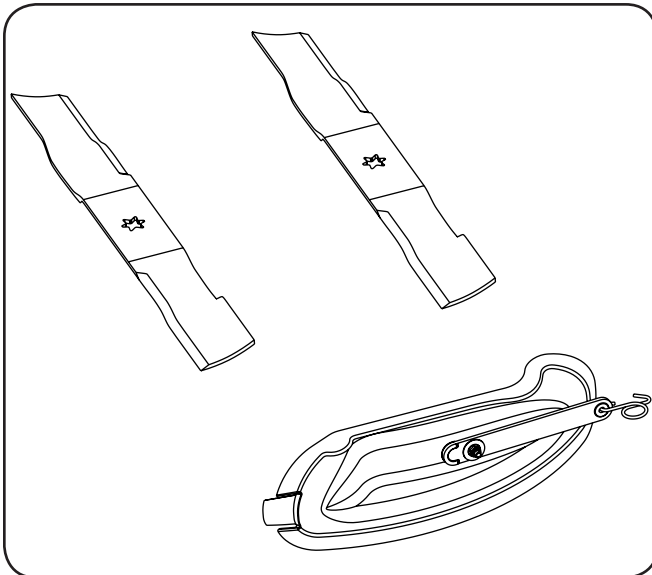


Figure 1-1

Installation Instructions



WARNING: Before beginning installation, place the tractor on a firm and level surface, set the parking brake, place the PTO in the disengaged (OFF) position, stop the tractor's engine and remove the ignition key to prevent unintended starting.



WARNING: Cutting blades are sharp. Always protect hands by wearing heavy leather work gloves to grasp blades.

1. Remove the cutting deck from beneath the tractor as instructed in your tractor's Operator's Manual.
2. Gently flip the deck over to expose its underside,
3. Place a block of wood between the deck housing baffle and the cutting blade to act as a stabilizer, then use a wrench to remove the hex flange nut that secures each blade to its spindle assembly. See Fig. 2-1.

IMPORTANT: The hex flange nuts have a right-handed (normal) thread pattern. Do NOT attempt to force the nuts in the opposite direction. Doing so may damage the nut.

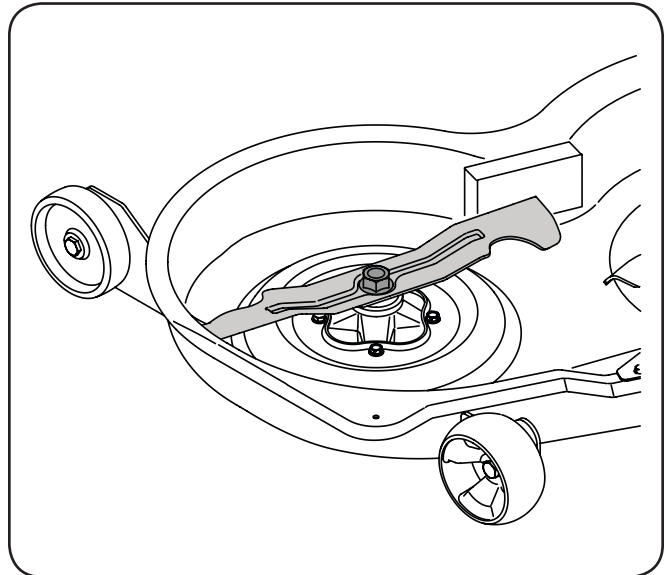


Figure 1-2

4. Replace the blades with the blades included in the kit. Be sure to install each blade with the side marked "Bottom" (or with a part number stamped in it) facing the ground when the mower is in the operating position.

IMPORTANT: Use a torque wrench to tighten each blade spindle's hex flange nut to between 70 ft-lb and 90 ft-lb.

MTD LLC, P.O. BOX 361131 CLEVELAND, OHIO 44136-0019

Inserting the Mulch Plug

1. Lift the discharge chute up (A). See Fig. 1-3.
2. Insert the mulch plug into the deck discharge opening by fitting the tab on the rear side of the mulch plug inside the deck (B) and pivoting the mulch plug into place (C).
3. Pull and stretch the retaining strap on the mulch plug over the deck wheel bracket (D) on the deck and hook onto the bottom of that bracket as seen in the inset of Fig. 1-3.

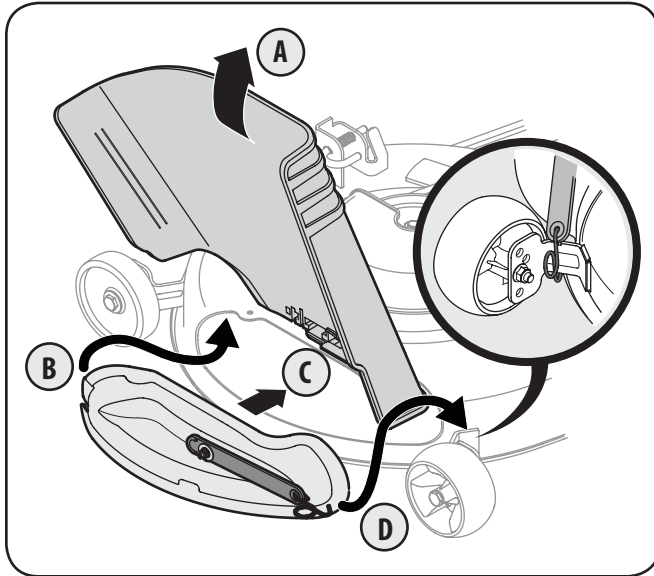


Figure 1-3

NOTE: It is NOT necessary to remove the discharge chute to operate the mower with the mulch kit installed. It is also unnecessary to change the mower blades should you choose to operate the mower without the mulch plug installed.



To order replacement parts or locate your nearest service dealer call Customer Support at (800) 800-7310.
or visit www.mtdproducts.com to find the nearest authorized dealer in your area
