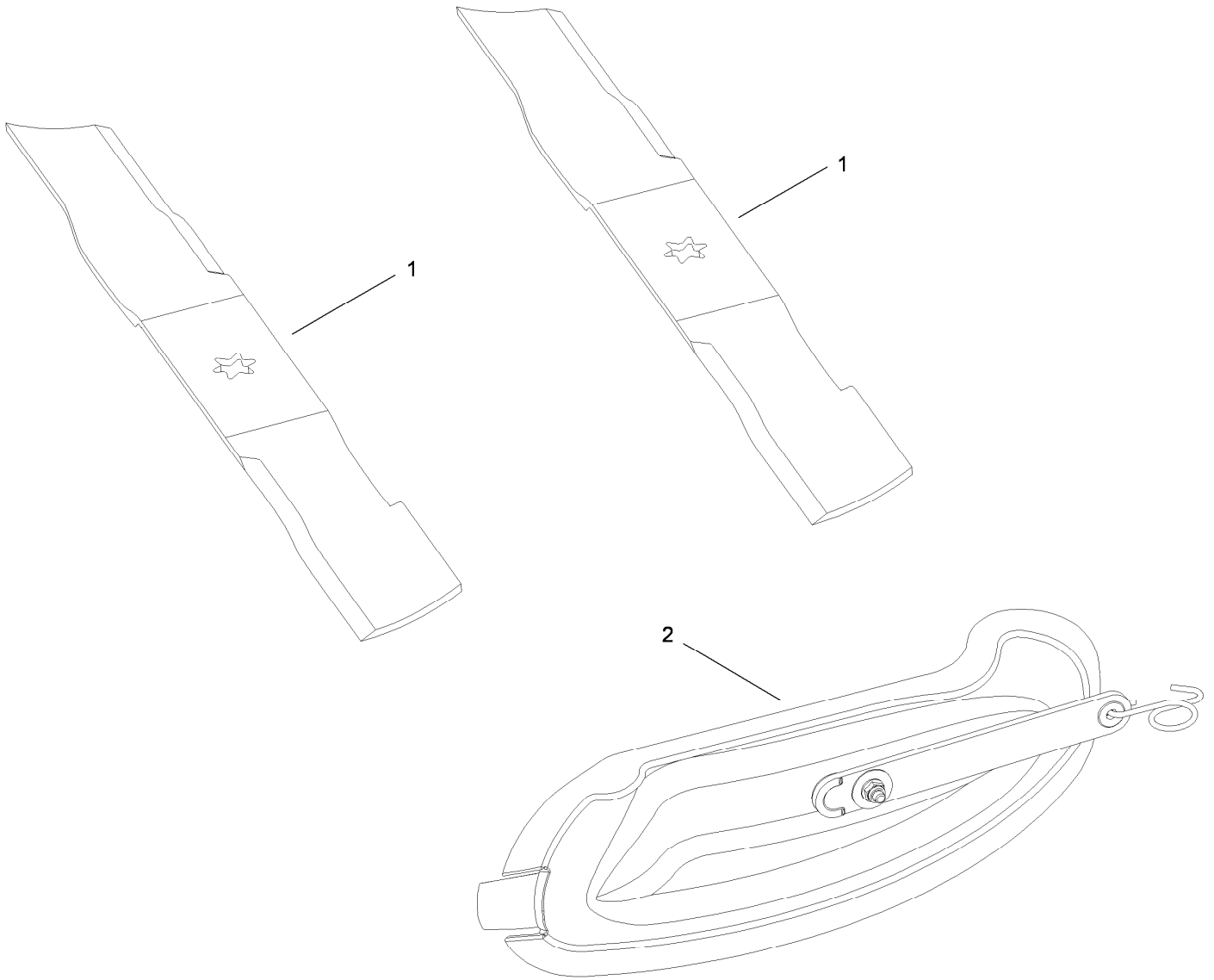




**Count on it.**

**Parts Catalog**

**46-inch Mulch Kit**  
**LX Series Lawn Tractor**  
Model No. 117-0059



## 46 Inch Mulch Kit Assembly No. 117-0059

<i>Ref.</i>	<i>Part Number</i>	<i>Qty.</i>	<i>Description</i>
1	119-9107	2	Blade-Mulch
2	119-9108	1	Plug-Mulch