



Count on it.

Parts Catalog

**Groundsmaster® 7210 Traction
Unit**

with 72in Side Discharge Mower

Model No. 30363TC—Serial No. 310000121 and Up

Ordering Replacement Parts

To order replacement parts, please supply the part number, the quantity, and the description of each part desired.

Understanding Reference Numbers

Each identified part in an illustration has a reference number. The reference number for a part also appears in the parts list, along with other information about the part.

This catalog uses two special reference number formats, one to indicate parts in a service assembly and another to indicate the quantity of a given part in an illustration.

Service Assembly Reference Numbers

Parts in service assemblies have reference numbers in the form a:b. The a represents the reference number of the entire service assembly and the b represents a sequential number unique to each part within the service assembly.

For example, a wheel assembly might be identified by reference number 6, the tire by 6:1, the valve by 6:2, and the wheel by 6:3. When you order the assembly identified by reference number 6, you receive all parts identified by reference numbers 6:1, 6:2, and 6:3. However, you may also order any part individually. Reference numbers of this type appear in illustration and in parts lists.

Reference Numbers Indicating Quantity

In an illustration, if a reference number indicates more than one part, the reference number has the form nX y. The n represents the quantity of the part, the X is the multiplication symbol, and the y represents the reference number.

For example, in an illustration, the reference number 2X 37 means that two of the parts identified by reference number 37 are indicated.

List of Abbreviations

AR: as required

ASM: assembly

BBC: blade brake control

BHTF: button head thread forming

CARR: carriage

CCW: counter clockwise

CW: clockwise

DEG: degrees

ECM: electronic control module

EXT: external

FH: flat head

GA: gauge

HD: heavy-duty

HF: hex flange

HH: hex head

HHF: hex head flange

HHFTF: hex head flange thread forming

HJ: hex jam

HLH: hex lag head

HOC: height-of-cut

HSBH: hex socket button head

HSFH: hex socket flat head

HSH: hex socket head

HWH: hex washer head

HWHTF: hex washer head thread forming

HYD: hydraulic

LH: left hand

NI: nylon insert

NPTF: national pipe thread fine

PFH: phillips flat head

PPH: phillips pan head

PPHTF: phillips pan head thread forming

PRH: phillips round head

PTH: phillips truss head

PTO: power-take-off

RH: right hand

ROPS: roll-over protection system

RRB: rear roller brush

SFH: slotted fillister head

SHH: slotted hex head

SHWH: slotted hex washer head

SPH: slotted pan head

SQH: square head

SRH: slotted round head

STD: standard

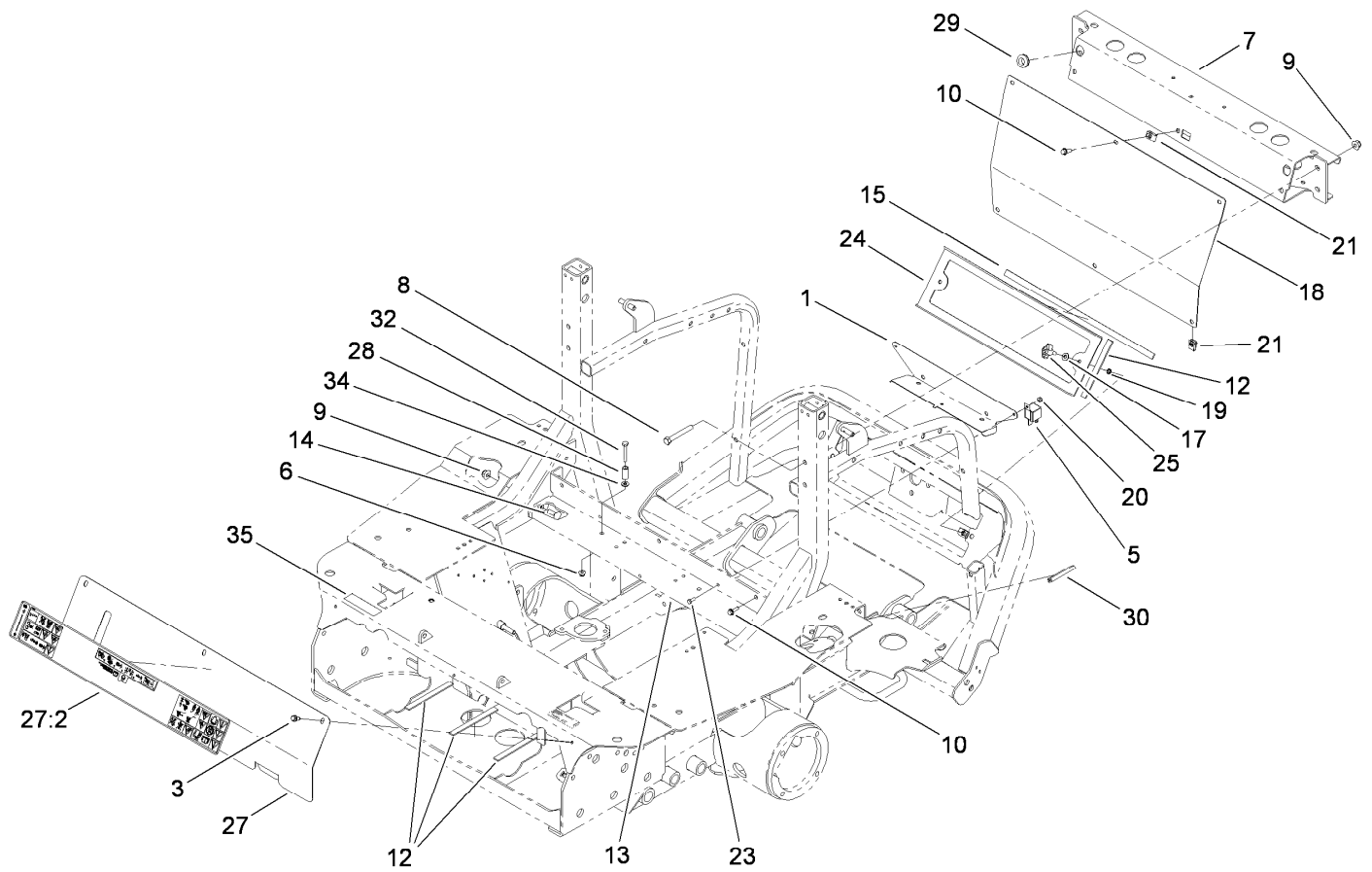
TAP: self tapping

TTH: torx truss head

Contents

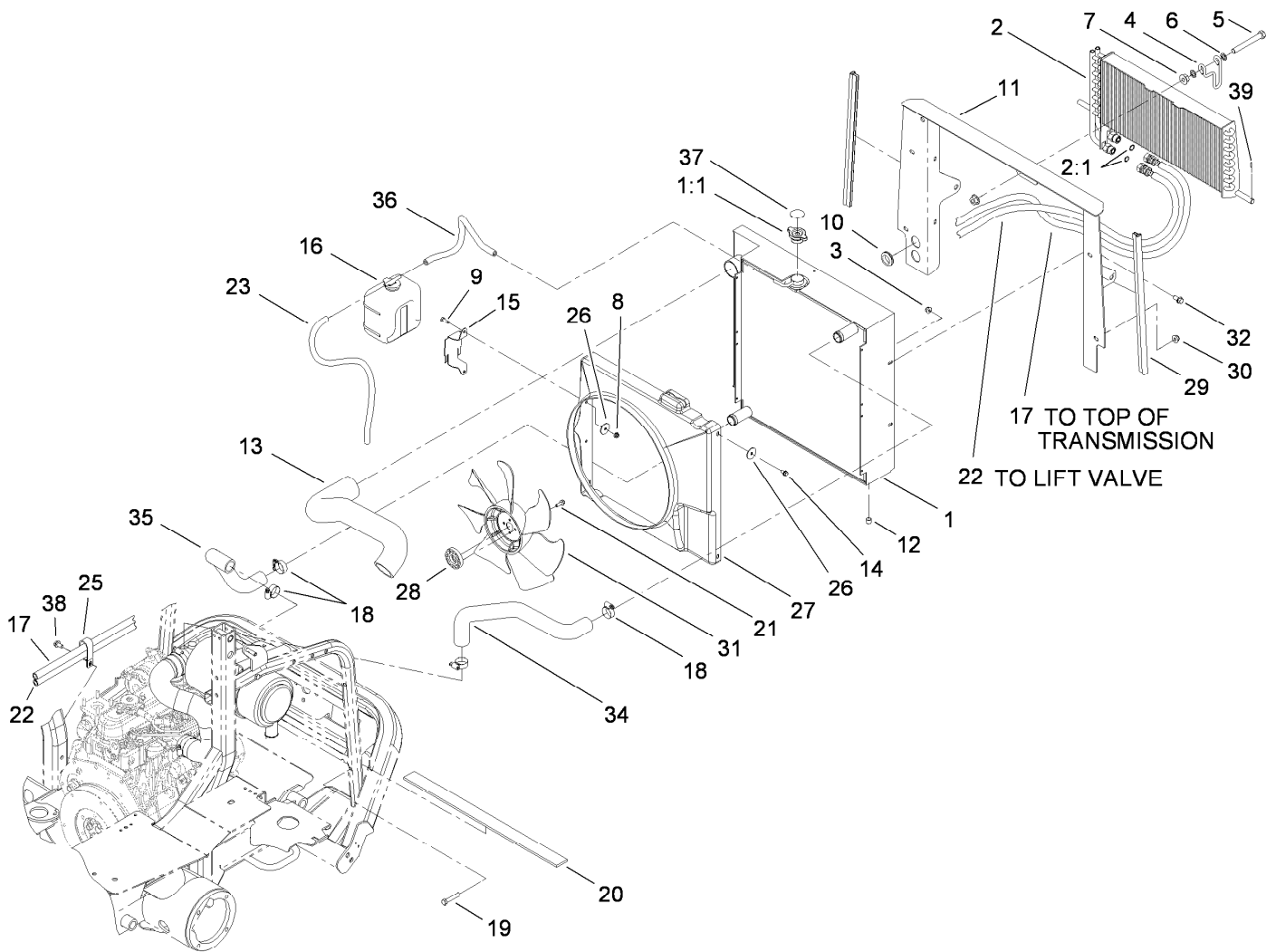
Frame Assembly	5
Radiator Assembly	6
Control Panel Assembly	7
Transmission Assembly	8
Hydraulic Gear Pump Assembly No. 112-9542	9
Charge Pump Housing Assembly Transmission Assembly No. 107-0801	10
Center Section Assembly Transmission Assembly No. 107-0801	11
Gear Case and Clutch Assembly Transmission Assembly No. 107-0801	12
Traction Control Assembly	13
Engine Component Assembly	14
Air Cleaner Assembly No. 104-3428	15
Engine, Muffler and Shield Assembly	16
Hydraulic Assembly	17
Parking Brake Assembly	18
Electrical Assembly	19
Hood Assembly	20
Fuel Tank Assembly	21
LH Fuel Tank Assembly No. 110-8230	22
RH Fuel Tank Assembly No. 110-8236	23
Seat Assembly	24
Seat Assembly No. 107-2286	25
Driveshaft Assembly	26
Driveshaft Assembly No. 110-3575	27
Rear Drive Assembly	28
Hydraulic Motor Assembly No. 108-5155	29
Hydraulic Motor Assembly No. 108-5230	30
Carrier Frame and Valve Assembly	31
Carrier Frame Kit Assembly No. 114-4087	32
Carrier Frame Assembly	33
Hydraulic Cylinder Assembly No. 110-9834	34
Hydraulic Valve Assembly No. 117-9235	35
Caster Fork Assembly	36
Caster Wheel Assembly No. 108-9954	37
Deck Linkage Assembly	38
Roll-Over and Protection System and Rear Wheel Assembly	39
Deck Belt and Pulley Assembly	40
Deck Decal Assembly No. 108-9901	41
Spindle Assembly No. 108-1957	42
Spindle Assembly No. 110-6382	43
Spindle Assembly No. 110-6381	44
Roller and Baffle Assembly	45
Spindle and Blade Assembly	46
Belt Cover, Gearbox and Baffle Assembly	47
Rubber Deflector Assembly No. 108-2792	48
Gearbox Assembly No. 110-6386-03	49
Adjustment Link and Bumper Assembly	50
Crankcase Assembly	51
Oil Pan Assembly	52
Cylinder Head Assembly	53
Head Cover Assembly	54
Gear Case Assembly	55
Main Bearing Case Assembly	56
Camshaft and Idle Gear Shaft Assembly	57
Piston and Crankshaft Assembly	58

Flywheel Assembly	59
Fuel Camshaft and Governor Shaft Assembly.....	60
Idle Apparatus Assembly	61
Injection Pump Assembly	62
Governor Assembly	63
Speed Control Plate Assembly.....	64
Nozzle Holder and Glow Plug Assembly	65
Nozzle Holder Assembly	66
Alternator and Pulley Assembly	67
Alternator Components Assembly	68
Starter (Component Part) Assembly No. 98-9705	69
Water Flange and Thermostat Assembly	70
Water Pump Assembly	71
Inlet and Exhaust Manifold Assembly	72
Valve and Rocker Arm Assembly.....	73
Turbo Charger Assembly	74
Turbo Charger Oil Pipe Assembly	75
Oil Cooler Assembly	76
Gasket Kit	77
Electric Fuel Pump, Fuel Filter, Starter and Overflow Bottle Assemblies	78
Attachments and Accessories	79



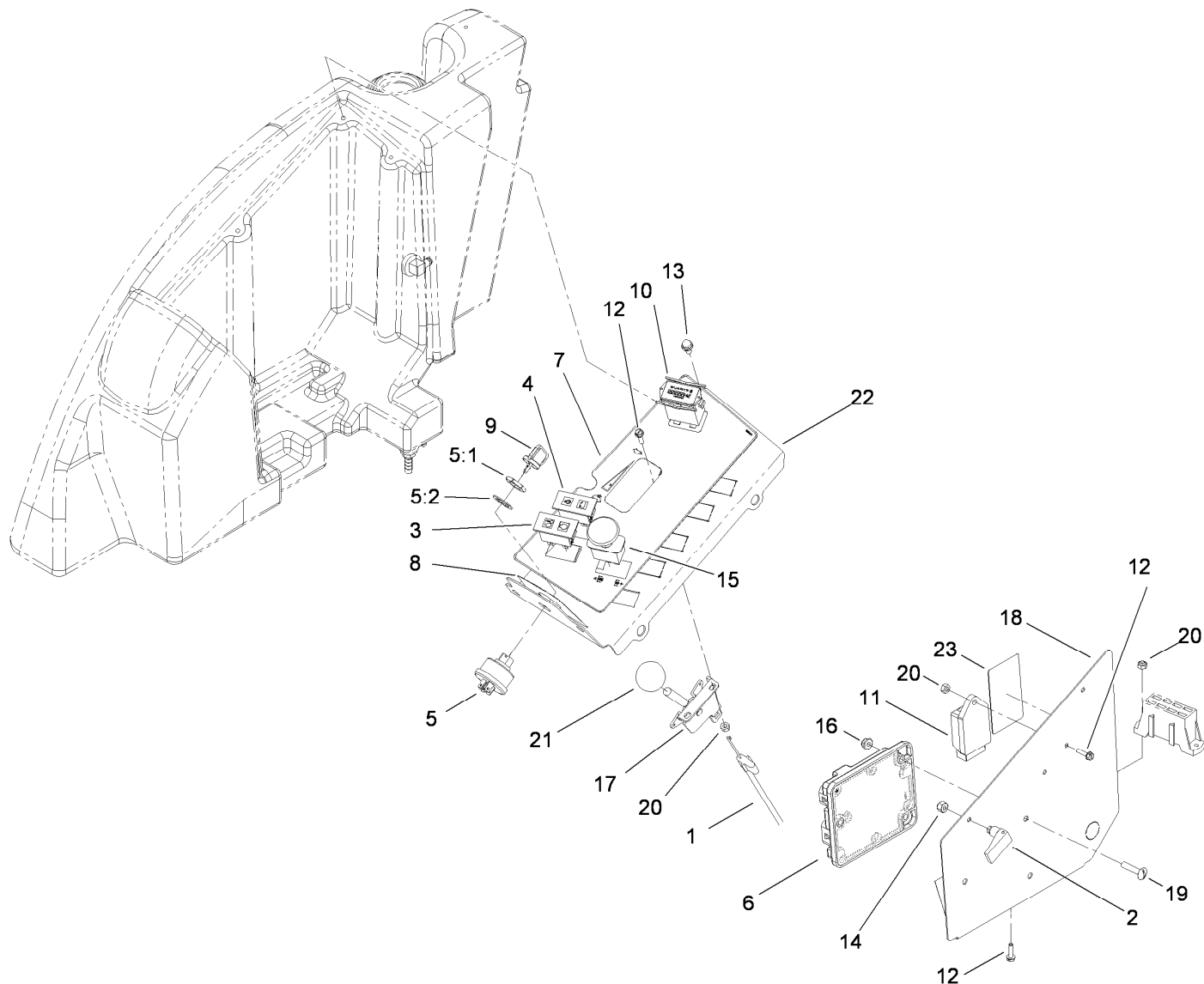
Frame Assembly

<i>Ref.</i>	<i>Part Number</i>	<i>Qty.</i>	<i>Description</i>	<i>Ref.</i>	<i>Part Number</i>	<i>Qty.</i>	<i>Description</i>
1	114-4055-03	1	Bracket-Wire	19	32151-106	2	Ring-Retaining
3	32144-10	3	Screw-HWH	20	3290-148	2	Nut-HF
5	99-7435	1	Relay-Power	21	107069	8	Clip
6	104-7201	2	Nut-HF	23	3290-134	2	Screw
7	112-6361-03	1	Crossmember ASM	24	112-6384-03	1	Screen ASM
8	323-13	4	Screw-HH	25	98-8332	2	Knob
9	104-8301	8	Nut-Flange, NI	27	110-9794	1	Cover-Front
10	3234-4	6	Screw-HHF	27:2	110-9772	1	Decal-Safety
12	105-0778	5	Strip-Foam	28	95-5807	2	Spacer
13	105-7296-03	1	Support-Seat	29	237-124	2	Grommet
14	3231-2	4	Screw-CARR	30	110-8276	1	Trim-Hold Down, Battery
15	112-6387	2	Strip-Foam	32	321-10	2	Screw-HH
17	3256-22	2	Washer-Flat	34	3256-22	2	Washer-Flat
18	112-6367-03	1	Panel-Rear	35	117-2718	1	Decal-Arrester, Spark



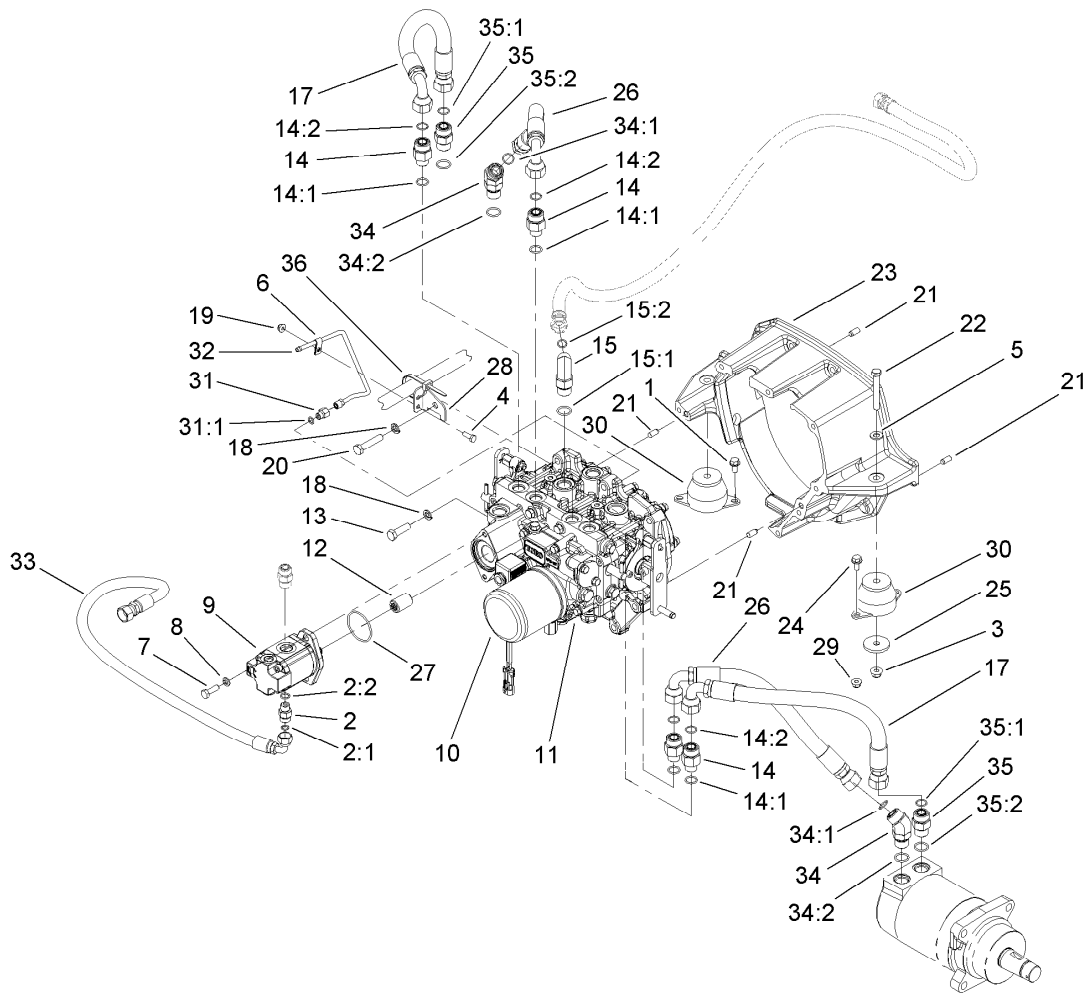
Radiator Assembly

Ref.	Part Number	Qty.	Description	Ref.	Part Number	Qty.	Description
1	117-5135	1	Radiator	19	323-10	4	Screw-HH
1:1	117-5138	1	Cap-Radiator	20	108-9935	1	Strip-Foam
2	112-1684	1	Cooler-Oil	21	33103-020	4	Screw-HHF
2:1	237-30	2	O-Ring	22	110-5543	1	HYD Hose ASM
3	104-8300	4	Nut-Flange, NI	23	108-3284	1	Hose-Fuel
4	104-5429	1	Clamp-Form, Wire	25	2412-137	1	Clamp-R, Double
5	325-17	1	Screw-HH	26	3256-55	6	Washer-Flat
6	41-8440	2	Washer	27	117-9232	1	Shroud-Fan
7	32128-49	2	Nut-HHF	28	108-2872	1	Collar-Fan
8	104-7201	2	Nut-HF	29	107-2269	2	Seal-Bulb
9	321-4	2	Screw-HH	30	104-8301	4	Nut-Flange, NI
10	240-5	2	Grommet-Rubber	31	104-4246	1	Fan-Engine
11	110-8277-03	1	Frame-Radiator	32	3234-5	4	Screw-HHF
12	99-8551	1	Plug-Pipe	34	105-7282	1	Hose-Radiator, Upper
13	105-7281	1	Hose-Air Inlet, Upper	35	105-7283	1	Hose-Radiator, Lower
14	32104-116	4	Screw	36	109-0274	1	Hose-Fuel
15	108-9930-03	1	Bracket-Bottle	37	106-6755	1	Decal-Cap, Radiator
16	108-0638	1	Bottle-Overflow	38	32144-14	1	Screw-HWHTF
17	110-5542	1	HYD Hose ASM	39	32121-107	1	Pin-Roll, Slotted
18	2412-34	4	Clamp-Hose				



Control Panel Assembly

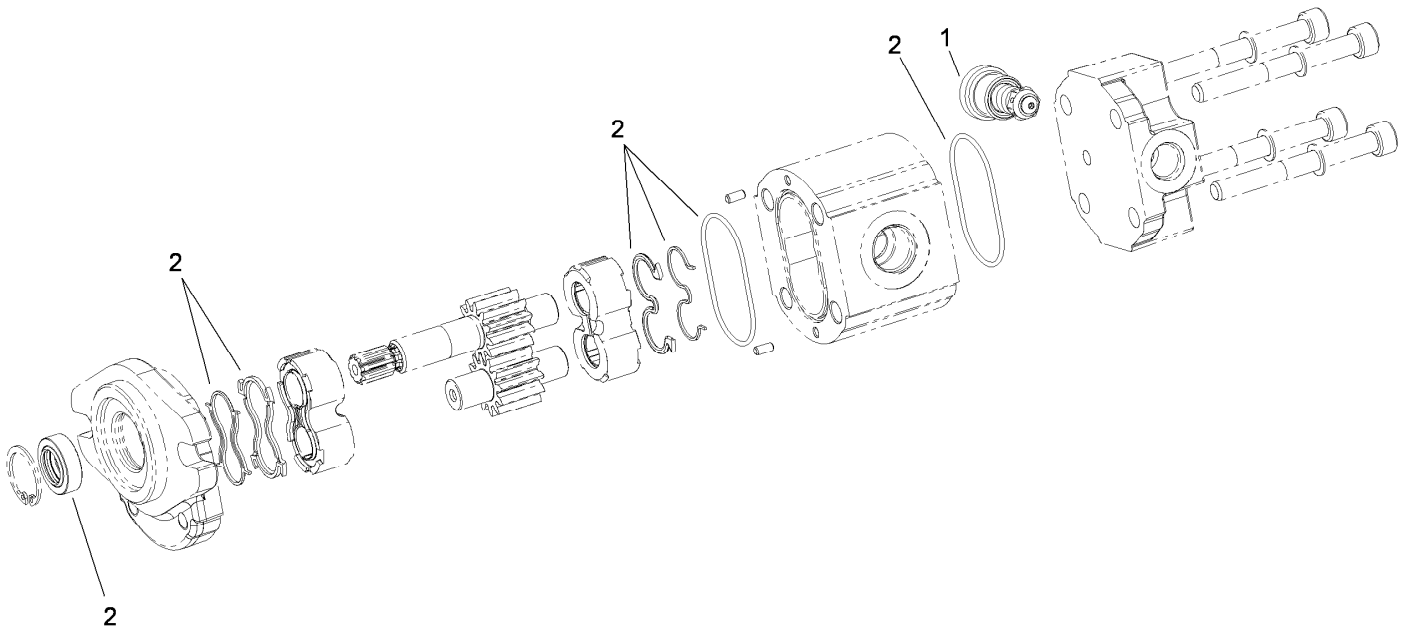
<i>Ref.</i>	<i>Part Number</i>	<i>Qty.</i>	<i>Description</i>	<i>Ref.</i>	<i>Part Number</i>	<i>Qty.</i>	<i>Description</i>
1	110-5548	1	Cable-Throttle	12	32105-13	5	Screw-HWH
2	74-5950	2	Latch-Swell	13	3234-13	5	Screw-HHF
3	100-8071	1	Lamp-Warning	14	1-804254	2	Nut
4	100-8070	1	Lamp-Warning	15	93-9999	1	Switch-PTO
5	104-2541	1	Switch ASM	16	104-7201	3	Nut-HF
5:1	218-461	1	Nut-HH	17	110-5547	1	Control Lever ASM
5:2	3254-5	1	Washer-Tooth, Internal	18	110-8257-03	1	Cover-Panel, Control
6	106-9277	1	Module-Control, Standard	19	3258-19	3	Screw
7	110-8253	1	Decal-Panel, Control	20	3296-2	5	Nut-Lock, NI
8	110-8254	1	Decal-Start, Control Panel	21	233-42	1	Knob
9	63-8360	2	Key-Ignition	22	110-8256-03	1	Panel-Control
10	1-513374	1	Meter-Hour	23	110-9796	1	Decal-Block, Fuse
11	107-9097	1	Controller-Glow				



Transmission Assembly

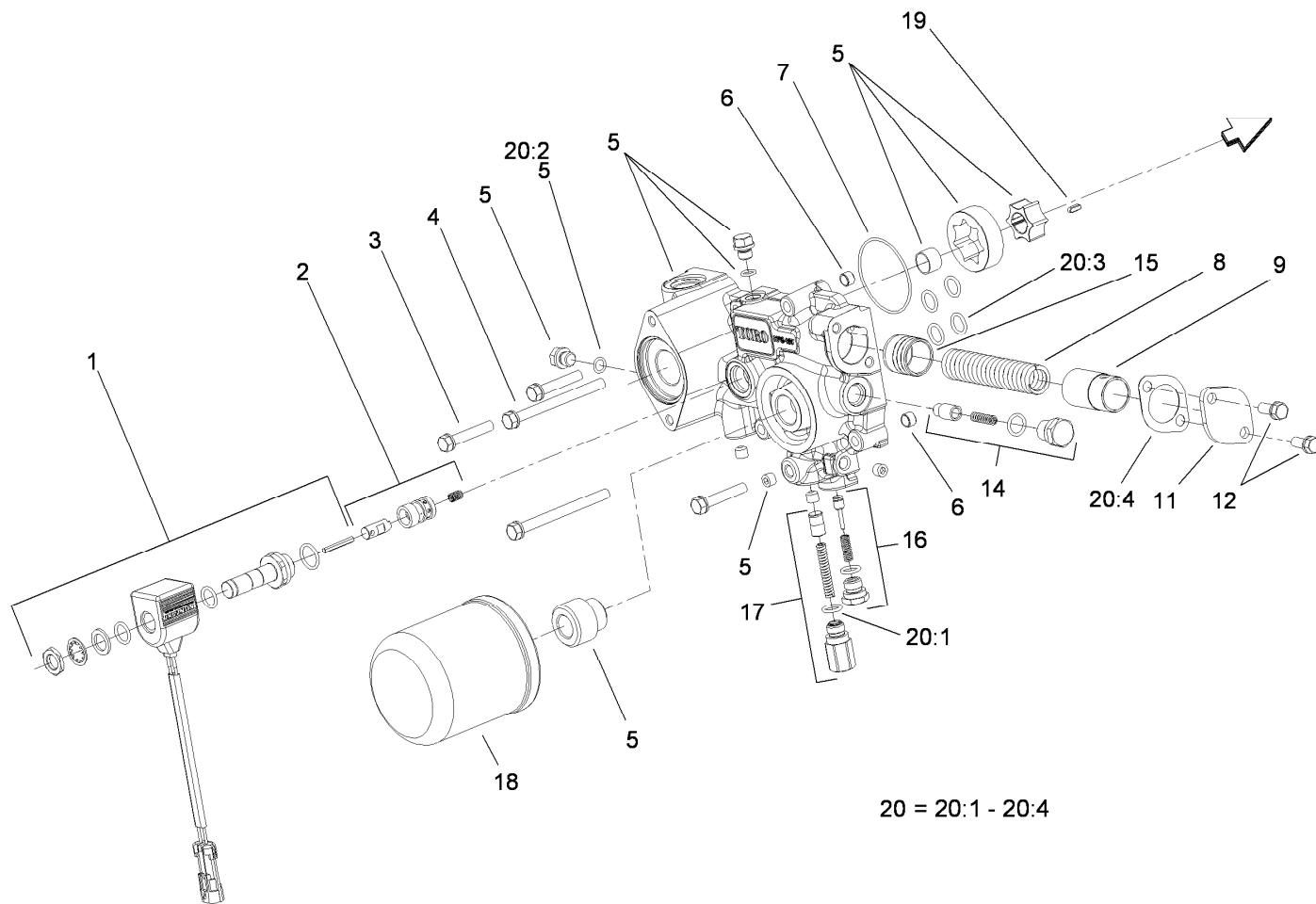
Ref.	Part Number	Qty.	Description
1	32144-14	2	Screw-HWHTF
2	340-2	1	Fitting-HYD, Straight
2:1	237-22	1	O-Ring
2:2	237-42	1	O-Ring
3	104-8301	2	Nut-Flange, NI
4	321-4	1	Screw-HH
5	3256-24	2	Washer-Flat
6	2412-72	1	Clip-Closed, Insulated
7	33114-025	2	Screw-HH
8	3253-4	2	Washer-Lock
9	112-9542	1	Gear Pump Assembly
10	108-5194	1	Filter-Oil
11	107-0801	1	Transmission ASM
12	108-9920	1	Coupler-Spline, 9T
13	33115-035	1	Screw-HH
14	340-155	4	Fitting-HYD, Straight
14:1	237-79	1	O-Ring
14:2	237-151	1	O-Ring
15	340-105	1	Fitting-HYD, 90 DEG
15:1	237-80	1	O-Ring
15:2	237-30	1	O-Ring
17	112-1683	2	Hose ASM
18	48-9590	7	Washer-Lock

Ref.	Part Number	Qty.	Description
19	104-7201	1	Nut-HF
20	33115-050	6	Screw-HH
21	87-1910	4	Pin-Dowel
22	323-13	2	Screw-HH
23	108-5193	1	Housing-Flywheel
24	3234-17	2	Screw-HHF
25	80-8560	2	Washer-Hardened
26	110-5518	2	Hose ASM
27	108-9919	1	O-Ring
28	110-5534	1	Support-Tube
29	104-8300	2	Nut-Flange, NI
30	107-2289	2	Mount-Motor
31	110-5536	1	Fitting-HYD, Adapter
31:1	237-78	1	O-Ring
32	110-5537	1	Tube ASM
33	94-5961	1	Hose ASM
34	340-14	2	Fitting-HYD, 45 DEG
34:1	237-65	1	O-Ring
34:2	237-80	1	O-Ring
35	340-7	2	Adapter
35:1	237-65	1	O-Ring
35:2	237-80	1	O-Ring
36	3290-378	1	Tie-Cable



Hydraulic Gear Pump Assembly No. 112-9542

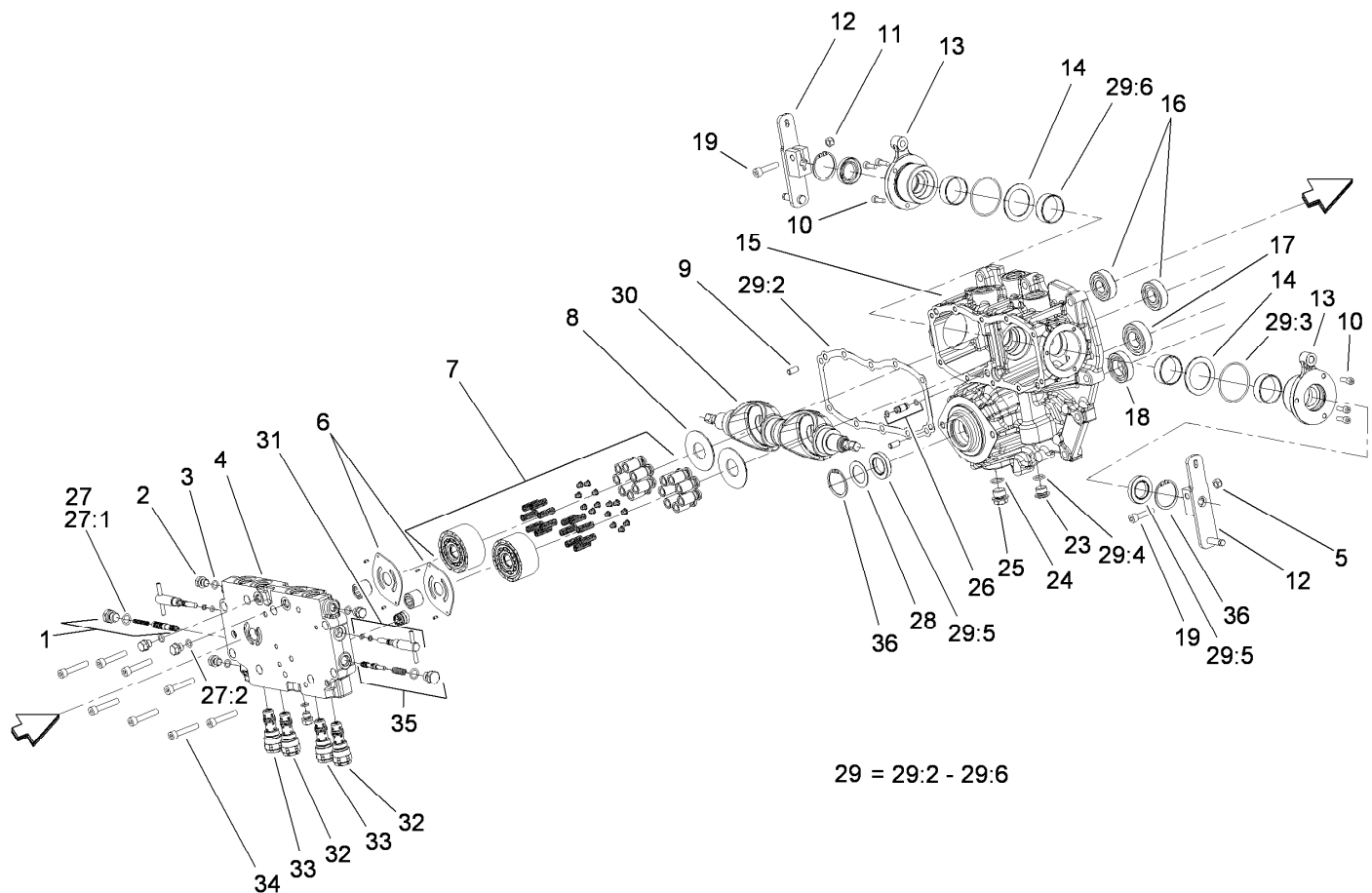
<i>Ref.</i>	<i>Part Number</i>	<i>Qty.</i>	<i>Description</i>
1	112-0198	1	Valve
2	112-0199	1	Seal Kit



Charge Pump Housing Assembly Transmission Assembly No. 107-0801

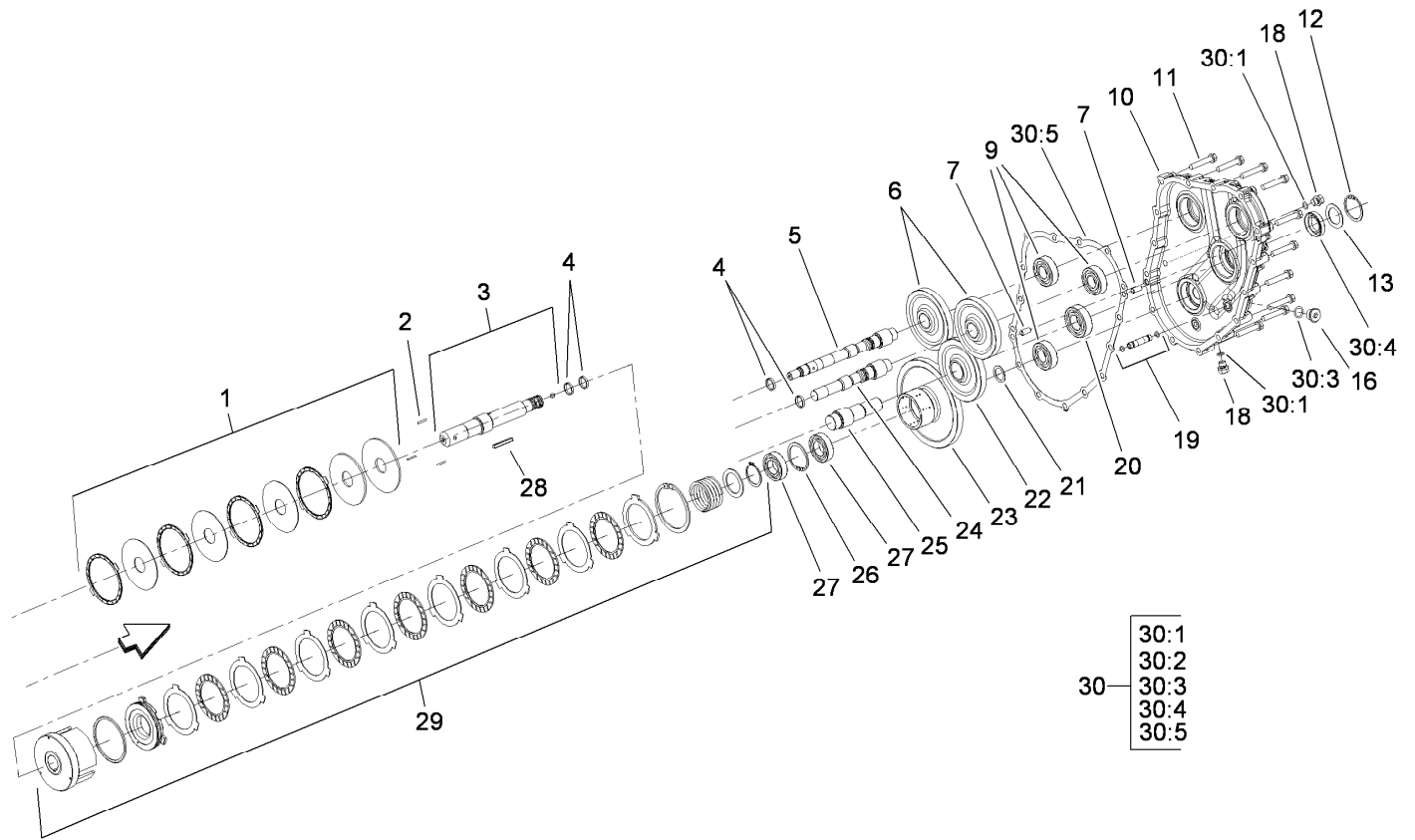
<i>Ref.</i>	<i>Part Number</i>	<i>Qty.</i>	<i>Description</i>
1	107-0851	1	Solenoid ASM
2	107-0850	1	Solenoid Valve ASM
3	107-0863	3	Bolt
4	107-0864	2	Bolt
5	107-0840	1	Pump Body ASM
6	107-0848	2	Pin
7	107-0856	1	O-Ring
8	107-0845	1	Spring
9	107-0844	1	Collar
11	107-0846	1	Cover
12	93-0457	2	Bolt And Washer ASM

<i>Ref.</i>	<i>Part Number</i>	<i>Qty.</i>	<i>Description</i>
14	107-0843	1	Filter Bypass Valve ASM
15	107-0818	1	Piston
16	107-0842	1	Charge Relief Valve ASM
17	107-0841	1	Pressure Valve ASM
18	108-5194	1	Filter-Oil
19	107-0865	1	Key
20	107-0855	1	Charge Pump Seal Kit
20:1	93-0418	2	O-Ring
20:2	107-0817	2	O Ring-Plug
20:3	104-3298	6	Packing
20:4	107-0847	1	Gasket



Center Section Assembly Transmission Assembly No. 107-0801

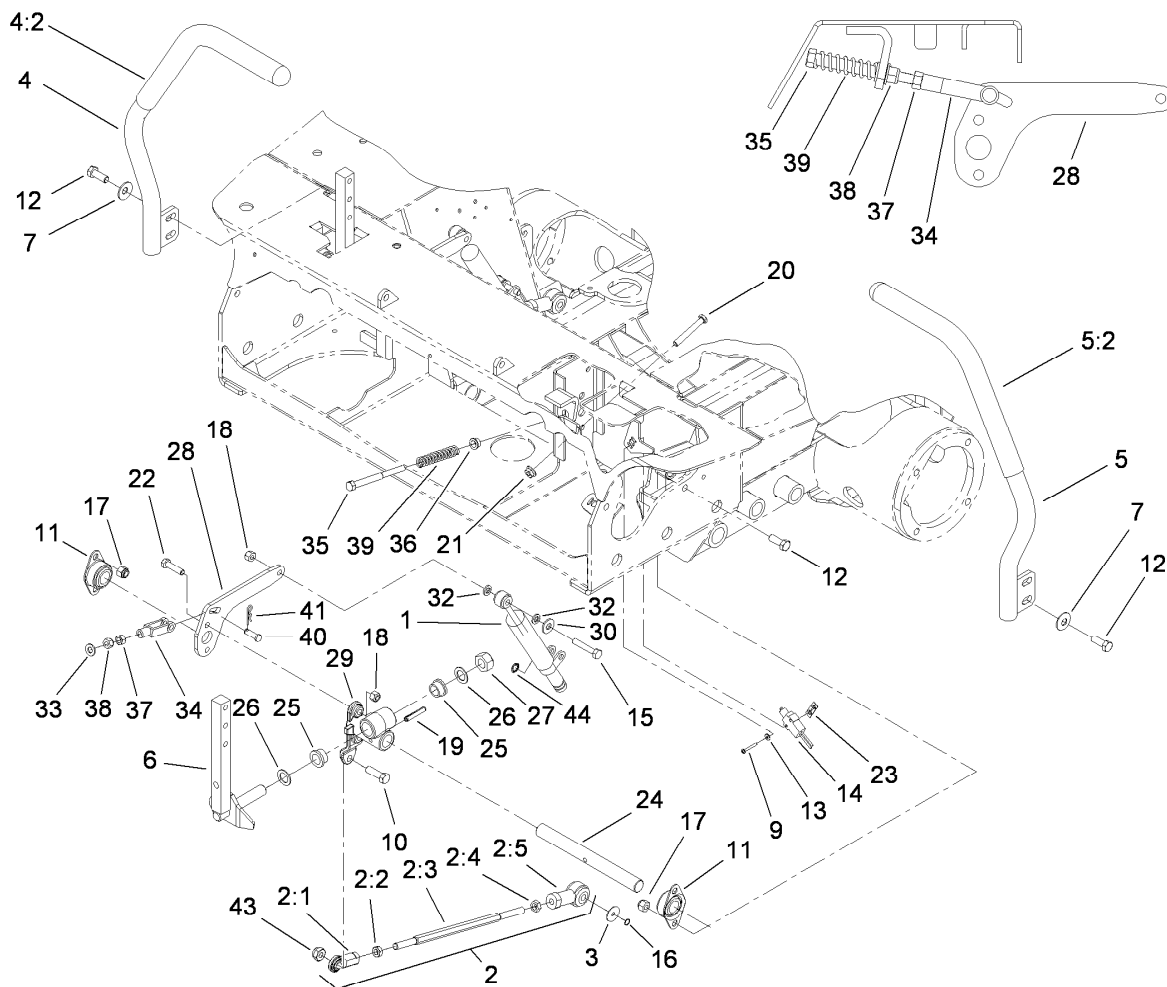
<i>Ref.</i>	<i>Part Number</i>	<i>Qty.</i>	<i>Description</i>	<i>Ref.</i>	<i>Part Number</i>	<i>Qty.</i>	<i>Description</i>
1	107-0807	1	Valve-Flushing, RH	24	107-0862	1	O-Ring
2	107-0857	6	Plug	25	107-0867	1	Plug
3	107-0817	6	O Ring-Plug	26	107-0812	1	Pipe
4	107-0802	1	Case-Center	27	107-0852	1	Center Case Seal Kit
5	107-0858	1	U-Nut	27:1	93-0418	2	O-Ring
6	107-0805	2	Plate-Valve	27:2	107-0817	6	O Ring-Plug
7	107-0824	2	Cylinder Block ASM	28	107-0813	1	Spacer
8	107-0830	2	Plate-Thrust	29	107-0853	1	Pump Housing Seal Kit
9	92-0765	4	Pin-Parallel	29:2	107-0810	1	Gasket-Case, Center
10	107-0859	6	Bolt	29:3	107-0817	2	O Ring-Plug
11	107-0858	2	U-Nut	29:4	104-3298	1	Packing
12	107-0831	2	Arm-Control	29:5	107-0814	3	Seal
13	107-0832	2	Side Cover ASM	29:6	107-0825	4	Ring-Seal
14	107-0829	2	Washer	30	107-0828	2	Plate-Swash
15	107-0809	1	Housing-Pump	31	107-0808	2	Valve-Bypass
16	107-0826	2	Bearing	32	107-0804	2	Valve-Rear
17	107-0821	1	Bearing	33	107-0803	2	Valve-Front
18	107-0838	1	Bearing	34	107-0863	8	Bolt
19	107-0860	2	Bolt	35	107-0806	1	Valve-Flushing, LH
23	107-0861	1	Plug-NPTF	36	92-0757	2	Ring-Snap



Gear Case and Clutch Assembly Transmission Assembly No. 107-0801

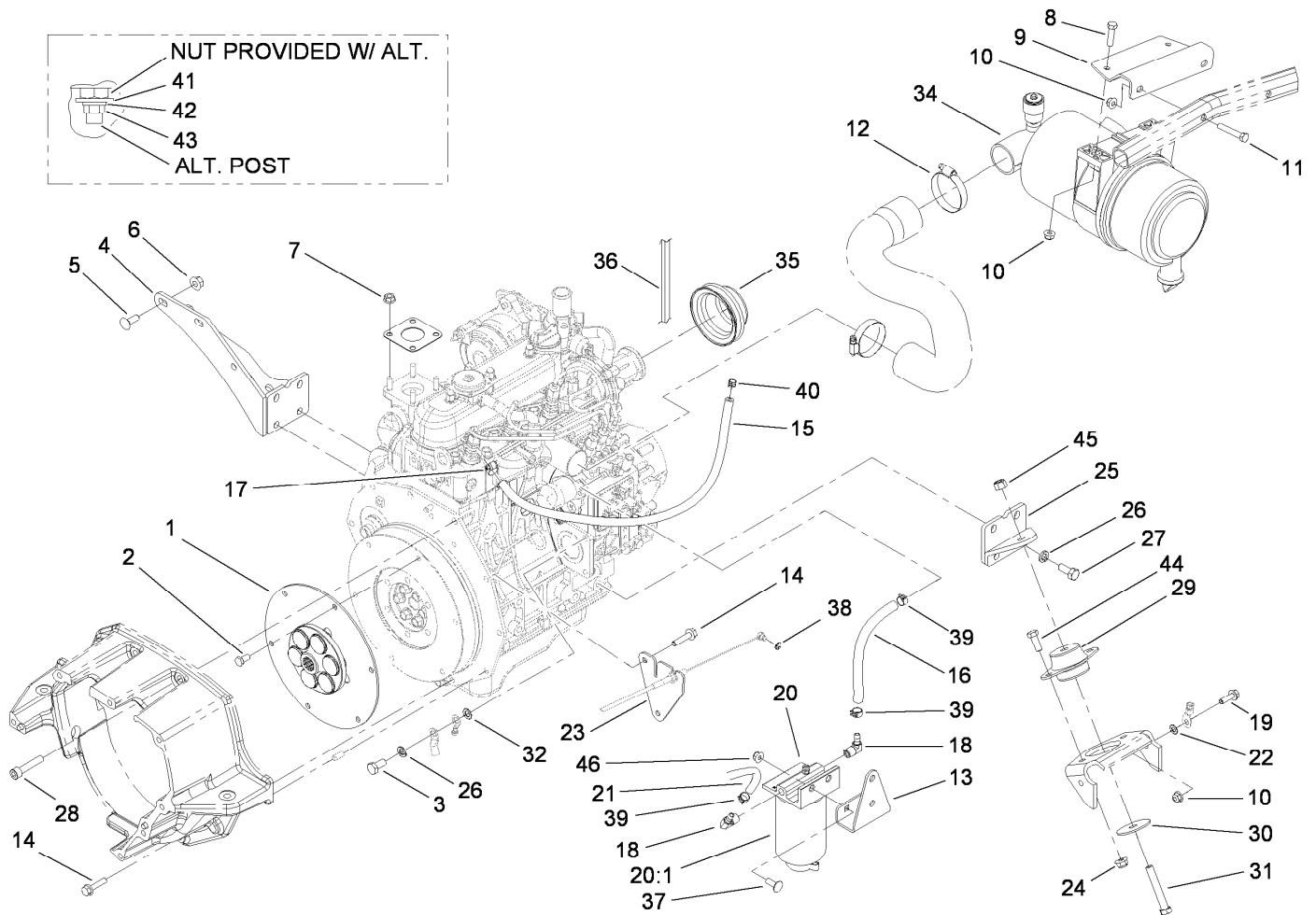
<i>Ref.</i>	<i>Part Number</i>	<i>Qty.</i>	<i>Description</i>	<i>Ref.</i>	<i>Part Number</i>	<i>Qty.</i>	<i>Description</i>
1	107-0839	1	PTO Brake ASM	21	107-0836	1	Spacer
2	107-0837	3	Rod-Push	22	107-0820	1	Gear-Input
3	107-0833	1	PTO Shaft ASM	23	107-0834	1	Gear-PTO
4	107-0825	2	Ring-Seal	24	107-0822	1	Shaft-Pump
5	107-0827	1	Shaft-Pump	25	107-0819	1	Shaft-Input
6	107-0823	2	Gear-Pump	26	92-0758	1	Ring-Snap
7	92-0765	4	Pin-Parallel	27	107-0838	3	Bearing
9	107-0826	4	Bearing	28	107-0866	1	Key
10	107-0815	1	Housing-Gear Case	29	107-0835	1	Clutch Cylinder ASM
11	107-0863	13	Bolt	30	107-0854	1	Gear Housing Seal Kit
12	92-0757	1	Ring-Snap	30:1	107-0817	2	O Ring-Plug
13	107-0813	1	Spacer	30:2		2	O-Ring ●
16	107-0861	1	Plug-NPTF	30:3	104-3298	1	Packing
18	107-0857	6	Plug	30:4	107-0814	1	Seal
19	107-0811	1	Pipe	30:5	107-0816	1	Gasket-Housing, Gear
20	107-0821	2	Bearing				

● Not serviced separately



Traction Control Assembly

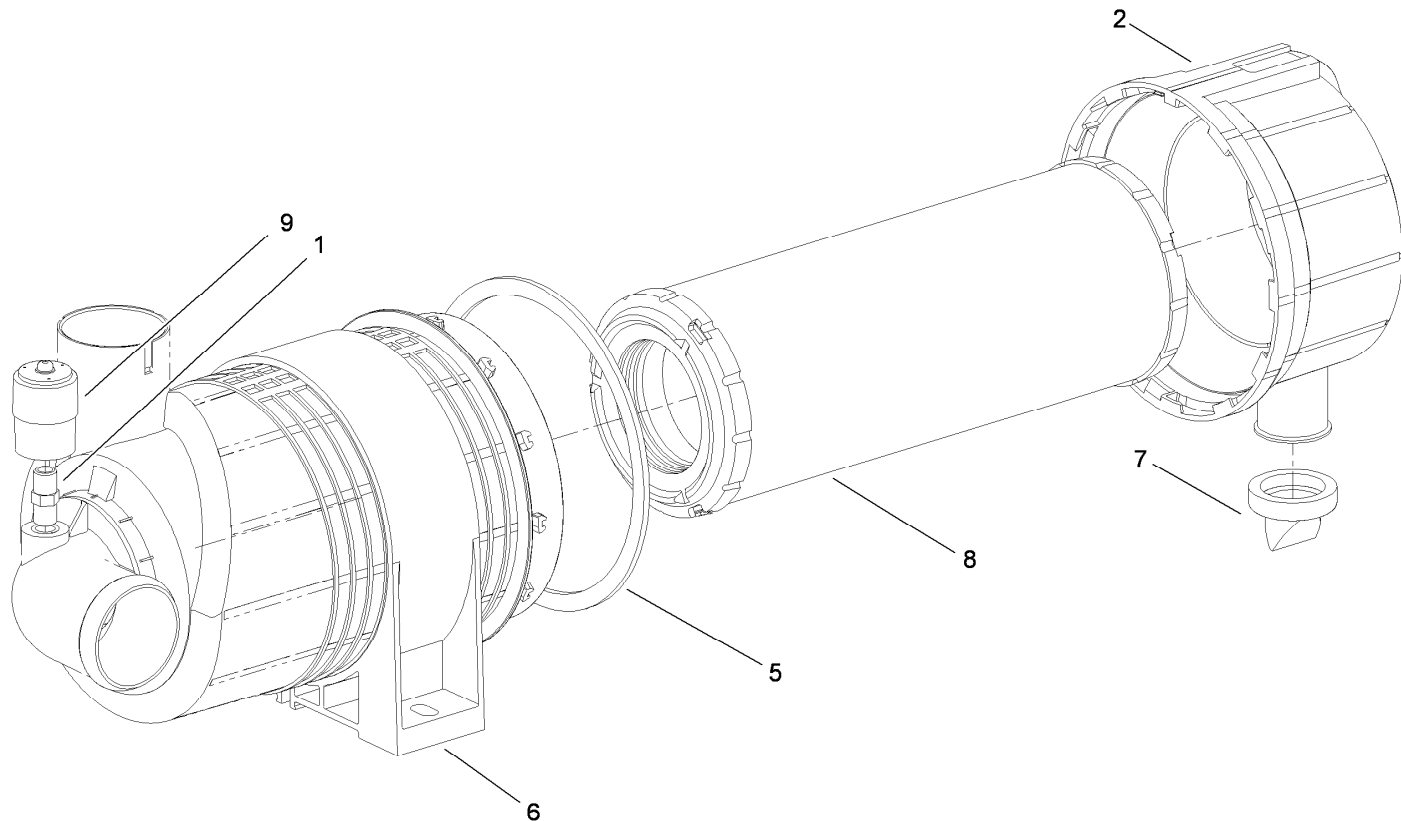
Ref.	Part Number	Qty.	Description	Ref.	Part Number	Qty.	Description
1	105-7280	2	Damper	19	32121-15	2	Pin-Roll
2	112-5099	2	Link ASM	20	9114524	2	Bolt-TAP, HH
2:1	103-1167	1	Joint-Ball End, LH	21	32128-26	2	Nut-Flange
2:2	3219-20	1	Nut-Hex, LH	22	322-6	4	Screw-HH
2:3	105-7239	1	Rod-Threaded	23	108-9824	2	Nut-Switch
2:4	3219-3	1	Nut-Hex	24	108-9830	2	Shaft-Pivot
2:5	105-7199	1	Rod End-Isolated	25	105-3455	4	Bushing
3	105-6814	2	Washer-Plain	26	105-3481	4	Washer-Thrust
4	108-5208	1	RH Lever And Grip ASM	27	32152-6	2	Nut-Lock, Cone
4:2	108-5213	1	Grip-Foam	28	108-9829-03	2	Lever-Damper
5	108-5209	1	LH Lever And Grip ASM	29	108-9831	2	Hub-Control
5:2	108-5213	1	Grip-Foam	30	3256-3	2	Washer-Flat
6	108-9833-03	2	Lever ASM	32	3253-4	4	Washer-Lock
7	3290-461	4	Washer-Spring	33	3256-23	2	Washer-Flat
9	3250-35	4	Screw-PPH	34	1-303105	2	Yoke-Adjustable
10	323-7	2	Screw-HH	35	1-603737	2	Bolt-Return, Neutral
11	1-633102	4	Bearing-Flange, Side	36	1-603735	2	Bushing-Flanged
12	323-6	12	Screw-HH	37	3219-2	2	Nut-Hex
13	3256-53	4	Washer-Flat, #6	38	3296-4	2	Nut-Lock
14	99-3410	2	Switch	39	1-603807	2	Spring-Return, Neutral
15	322-9	2	Screw-HH	40	283-1	2	Pin-Clevis
16	32120-46	2	Ring-Retaining	41	3290-307	2	Pin-Hair
17	3296-39	8	Nut-Lock, NI	43	3296-44	2	Nut-Lock, NI
18	3296-29	6	Nut-Lock, NI	44	32151-72	2	Ring-Retaining



Engine Component Assembly

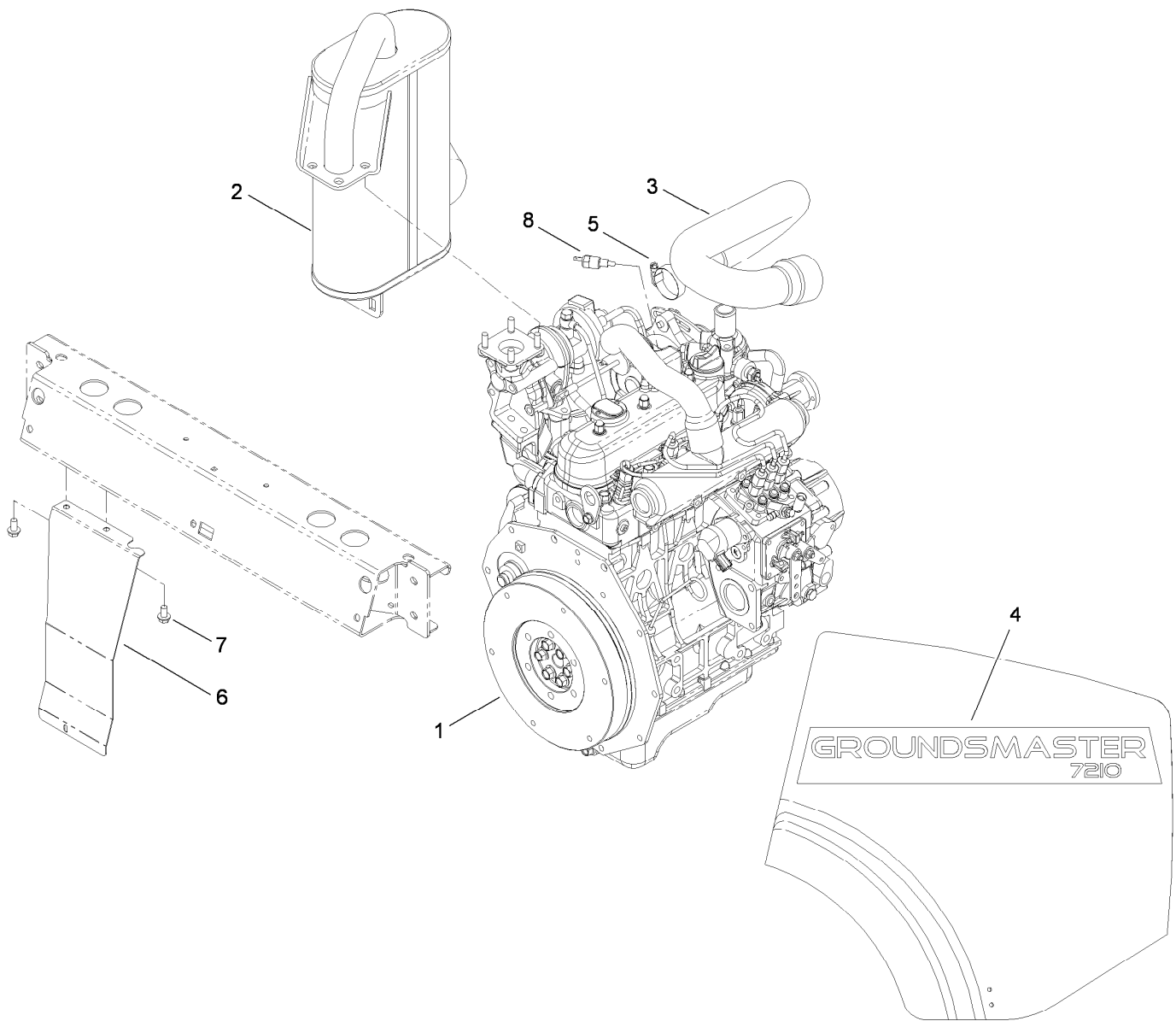
Ref.	Part Number	Qty.	Description
1	110-9729	1	Flywheel Coupling ASM
2	33114-016	6	Screw-HH
3	63-7790	1	Screw-Cap
4	108-9926-03	1	Muffler Bracket ASM
5	3231-22	2	Screw-CARR
6	32128-29	2	Nut-Lock, Flange
7	33004-00	4	Nut-HF
8	322-6	2	Screw-HH
9	108-9843-03	1	Support-Cleaner, Air
10	104-8300	5	Nut-Flange, NI
11	322-10	2	Screw-HH
12	2412-130	1	Clamp-Hose
13	114-4058-03	1	Mount-Separator
14	33104-035	8	Screw-HHF
15	110-8255	1	Hose-Fuel
16	110-4104	1	Hose-Fuel
17	2412-108	1	Clamp-Worm
18	353-781	2	Fitting-Elbow
19	3234-17	1	Screw-HHF
20	110-9044	1	Filter-Separator
20:1	110-9049	1	Filter-Spin On
21	114-4028	1	Hose-Fuel
22	3255-8	1	Washer-Lock

Ref.	Part Number	Qty.	Description
23	114-4060	1	Bracket-Throttle
24	104-8301	4	Nut-Flange, NI
25	105-7235-03	1	LH Rear Mount ASM
26	48-9590	9	Washer-Lock
27	43-0090	8	Screw-HH
28	3274-106	2	Screw-HSH
29	53-9681	2	Mount-Engine-Yellow
30	87-5100	2	Washer-Snubbing
31	324-11	2	Screw-HH
32	3255-9	1	Washer-Lock
34	104-3428	1	Air Cleaner ASM
35	98-9584	1	Pulley-Fan
36	98-9676	1	V-Belt
37	3230-10	2	Screw-CARR
38	701197	1	E-Ring
39	92-2379	3	Clamp-Hose
40	2412-80	1	Clamp-Line, Fuel
41	3256-2	1	Washer-Flat
42	43-5930	1	Washer-Lock, Spring
43	33013-00	1	Nut-Hex
44	323-6	4	Screw-HH
45	3296-48	2	Nut-Lock, NI
46	32128-44	2	Nut



Air Cleaner Assembly No. 104-3428

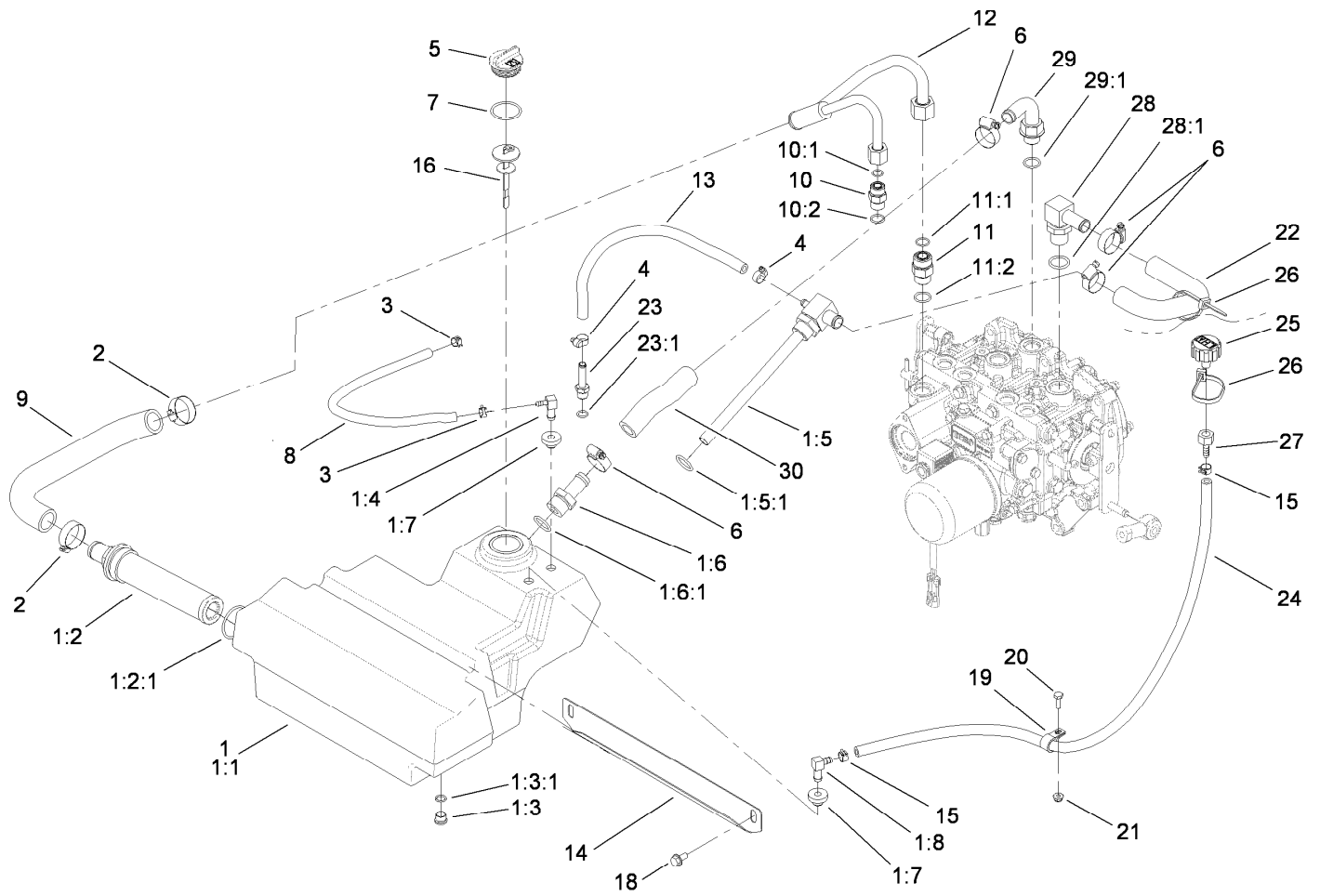
<i>Ref.</i>	<i>Part Number</i>	<i>Qty.</i>	<i>Description</i>
1	105-4292	1	Nipple-Pipe
2	104-0497	1	Cover ASM
5	104-4897	1	Gasket
6	98-4525	1	Bracket-Cleaner, Air
7	104-0498	1	Valve-Vacuator
8	108-3810	1	Filter-Air
9	93-9164	1	Indicator-Mini



Engine, Muffler and Shield Assembly

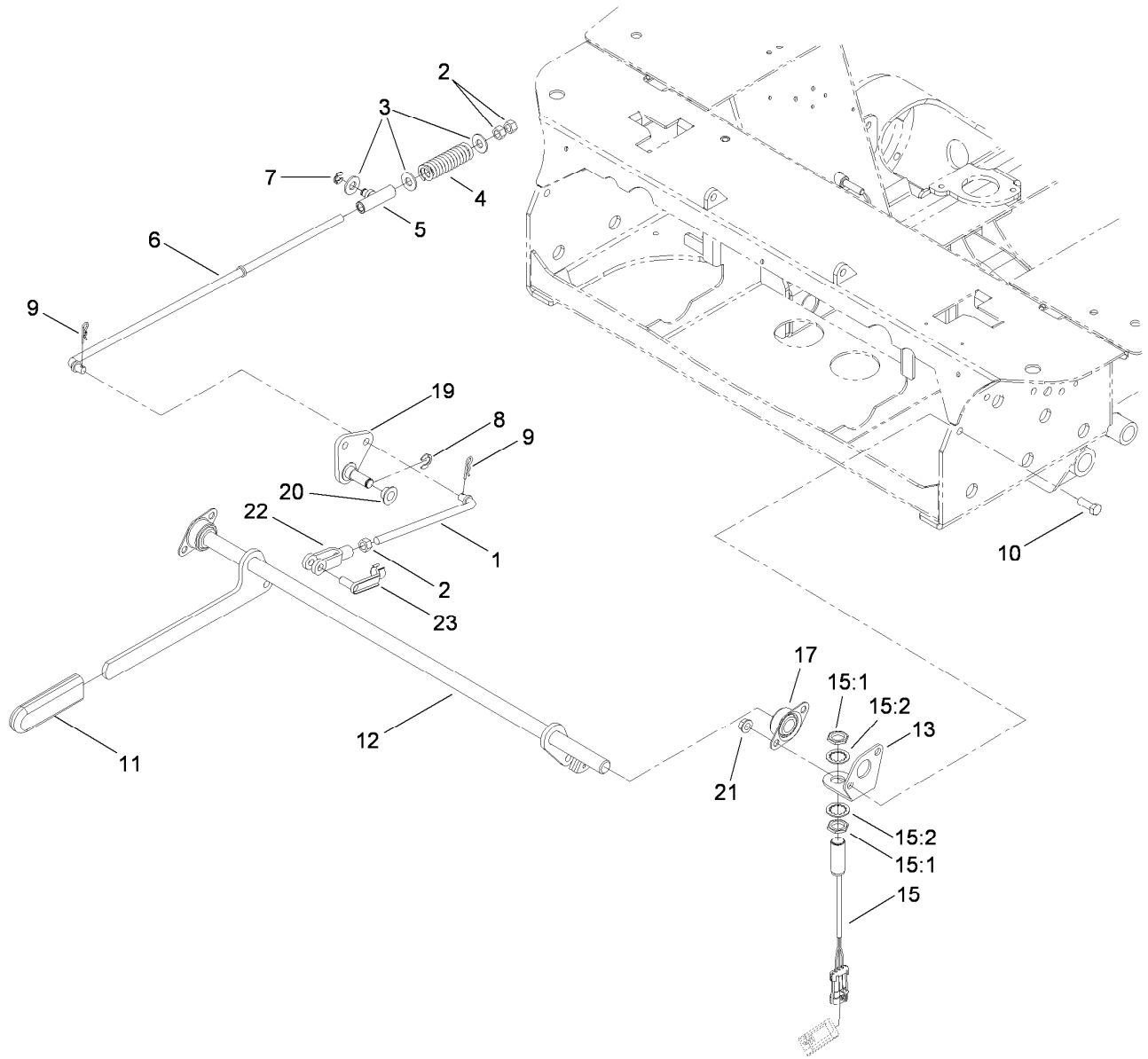
<i>Ref.</i>	<i>Part Number</i>	<i>Qty.</i>	<i>Description</i>
1	114-4080	1	Engine-Kubota
2	108-9912	1	Muffler
2:1	112-1688	1	Spark Arrestor Kit ●
3	112-9582	1	Hose-Air Inlet, Turbo
4	110-5545	2	Decal-Hood
5	2412-3	1	Clamp-Hose
6	112-6368-03	1	Shield-Heat
7	32144-14	2	Screw-HWHTF
8	98-9719	1	Thermoswitch

● Not illustrated



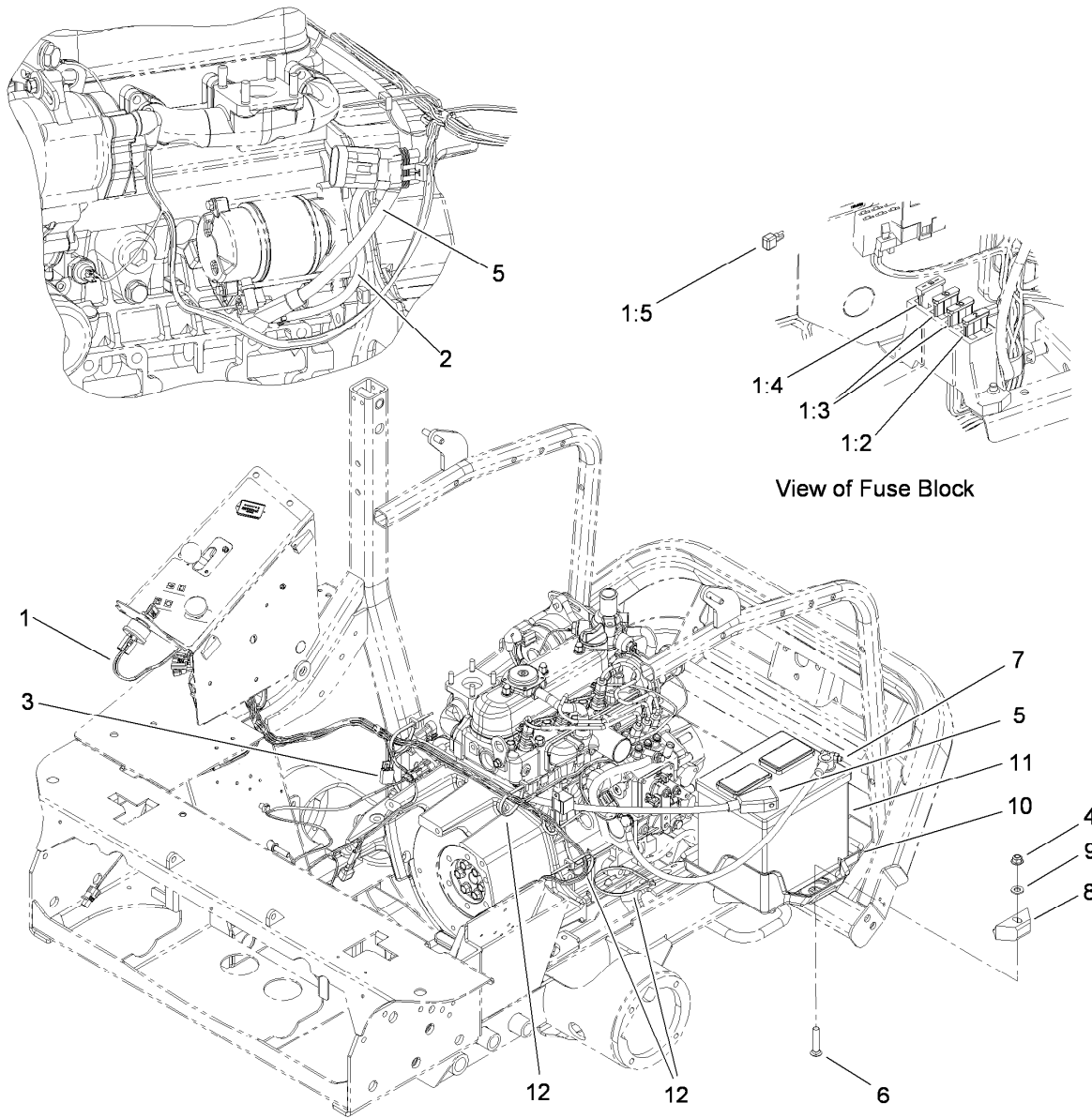
Hydraulic Assembly

Ref.	Part Number	Qty.	Description	Ref.	Part Number	Qty.	Description
1	110-8237	1	Hydraulic Reservoir ASM	11	340-7	1	Adapter
1:1	108-5200	1	Reservoir-Hydraulic	11:1	237-65	1	O-Ring
1:2	104-7546	1	Strainer-Tank	11:2	237-80	1	O-Ring
1:2:1	340-136	1	O-Ring	12	110-5532	1	Tube ASM
1:3	353-989	1	Plug-Hex, Hollow	13	94-5625	1	Hose-Overflow, Radiator
1:3:1	237-42	1	O-Ring	14	110-5529-03	1	Support-Reservoir
1:4	104-5228	1	Fitting-Elbow	15	92-2379	2	Clamp-Hose
1:5	108-9894	1	Fitting-Elbow, Special	16	112-6365	1	Dipstick ASM
1:5:1	237-81	1	O-Ring	18	32144-14	2	Screw-HWHTF
1:6	354-73	1	Fitting-Straight	19	2412-87	1	Clamp-Cable
1:6:1	237-81	1	O-Ring	20	321-4	1	Screw-HH
1:7	46-6560	2	Bushing	21	104-7201	1	Nut-HF
1:8	46-6550	1	Fitting-Elbow, 90 DEG	22	110-5524	1	Hose-Return
2	2412-34	2	Clamp-Hose	23	353-979	1	Fitting-Straight
3	2412-98	2	Clamp	23:1	237-42	1	O-Ring
4	2412-108	2	Clamp-Worm	24	110-9662	1	Hose-Fuel
5	93-7498	1	Plug-Plastic	25	68-6150	1	Breather
6	2412-129	4	Clamp-Hose	26	3290-379	2	Tie-Cable
7	94-8166	1	O-Ring	27	354-95	1	Fitting-Straight
8	109-0299	1	Hose-Fuel	28	353-987	1	Fitting-HYD, 90
9	110-5526	1	Hose-Suction	28:1	237-81	1	O-Ring
10	340-4	1	Fitting-HYD, Straight	29	110-5522	1	Fitting-Elbow, 90
10:1	237-30	1	O-Ring	29:1	237-80	1	O-Ring
10:2	237-79	1	O-Ring	30	112-1680	1	Hose-HYD



Parking Brake Assembly

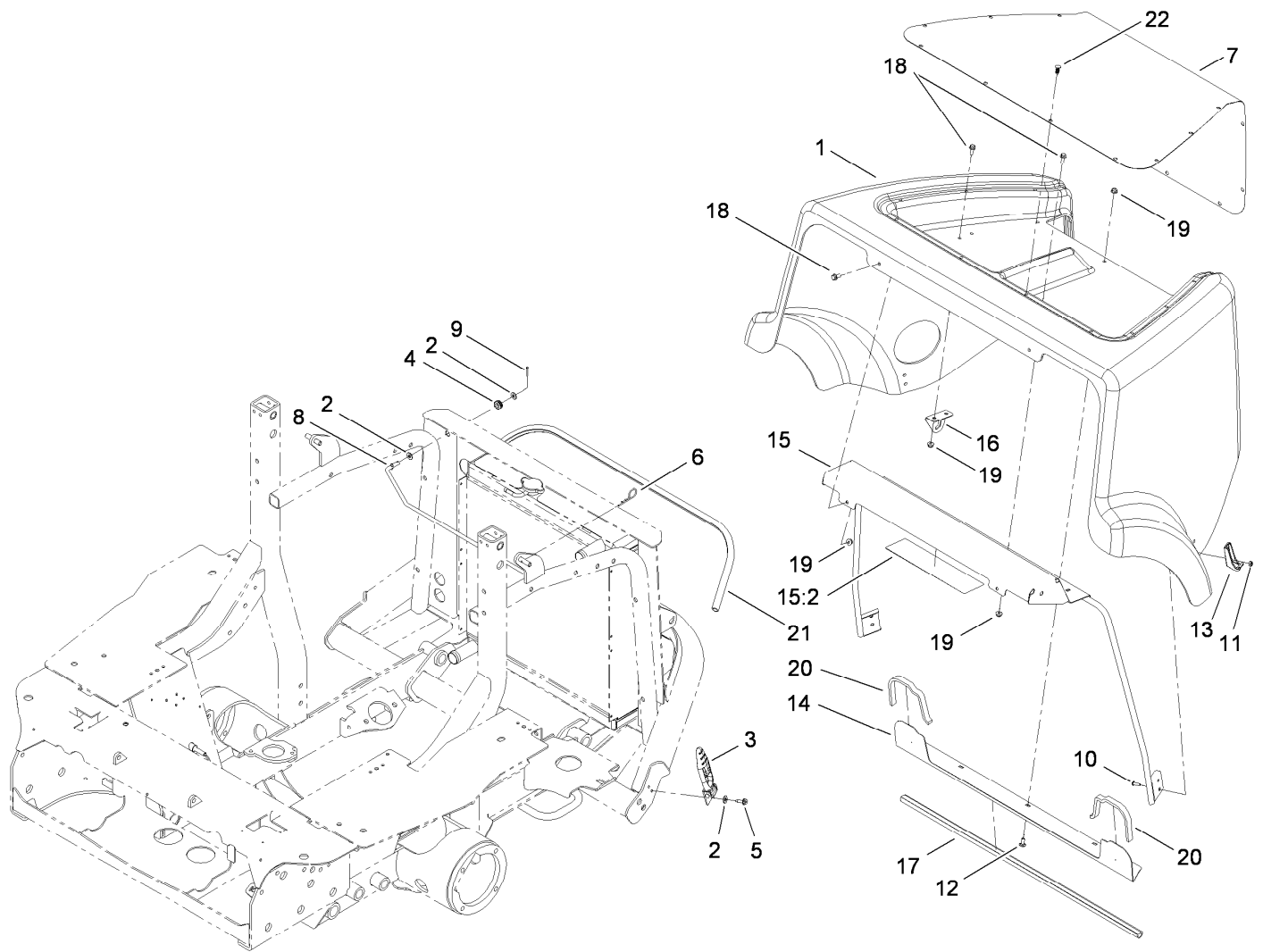
<i>Ref.</i>	<i>Part Number</i>	<i>Qty.</i>	<i>Description</i>	<i>Ref.</i>	<i>Part Number</i>	<i>Qty.</i>	<i>Description</i>
1	110-5498	2	Rod-Brake, Front	12	117-5582-03	1	Brake Handle ASM
2	3219-3	6	Nut-Hex	13	117-5572	1	Bracket-Switch
3	3256-4	6	Washer-Flat	15	115-5300	1	Proximity Switch ASM
4	109-2230	2	Spring-Compression	15:1	117-3207	2	Nut-Hex
5	112-1676	2	Swivel ASM	15:2	117-3208	2	Washer-Lock, Int Tooth
6	110-5494	2	Rod-Brake, Rear	17	1-633102	2	Bearing-Flange, Side
7	32151-47	2	Ring-Retaining	19	110-9754	2	Brake Pivot ASM
8	32151-68	2	Ring-Retaining	20	1-513140	4	Bearing-Control
9	3290-307	4	Pin-Hair	21	3290-357	4	Nut-HHF, Whiz
10	323-6	4	Screw-HH	22	1-633131	2	Yoke-Linkage, Brake
11	1-633268	1	Grip-Lever, Brake	23	103-2399	2	Pin-Spring, Clevis



Electrical Assembly

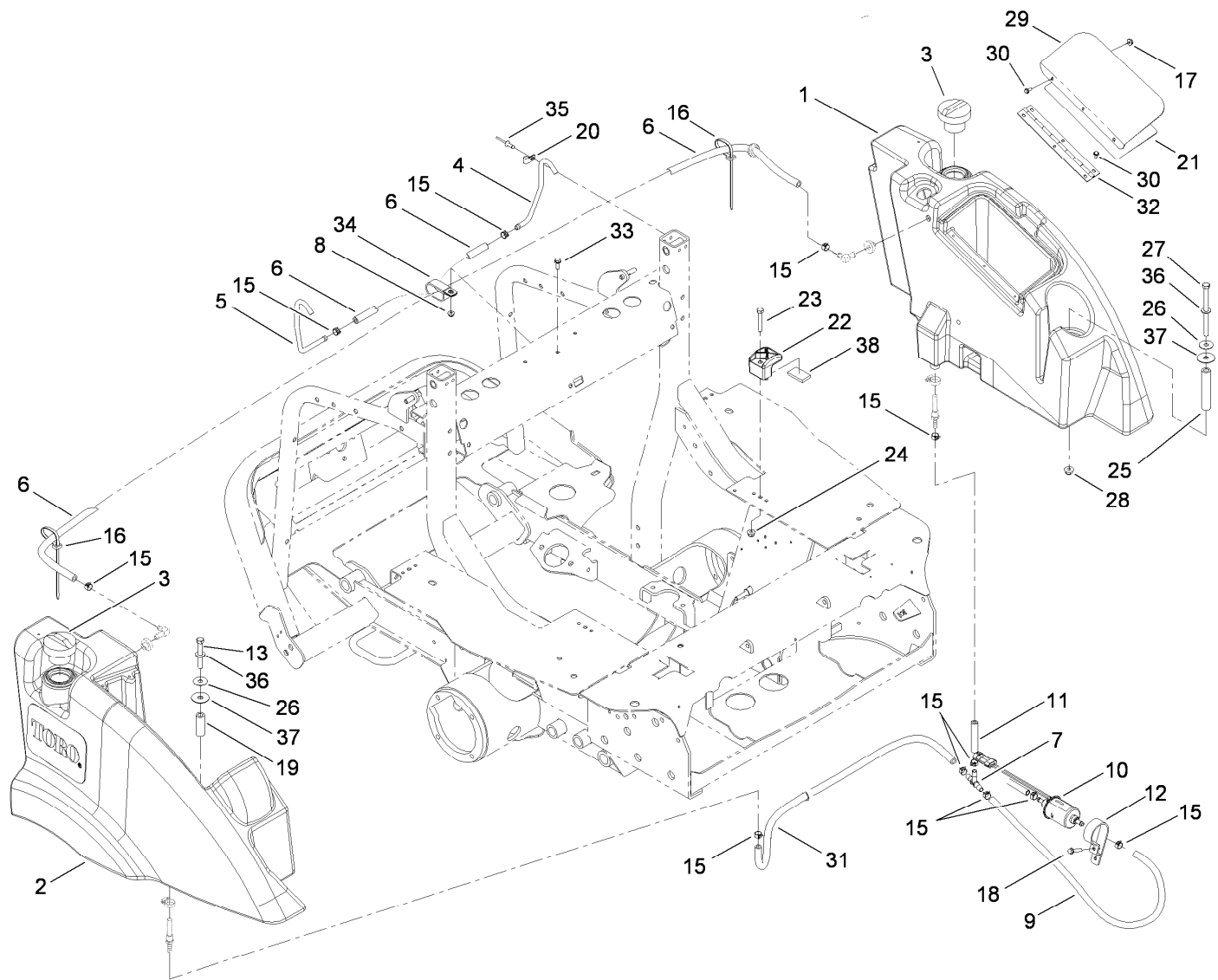
<i>Ref.</i>	<i>Part Number</i>	<i>Qty.</i>	<i>Description</i>
1	117-5636	1	Harness-Wire, Main
1:2	94-6710	1	Fuse-Blade, 2 Amp
1:3	218-578	2	Fuse-10 Amp
1:4	109355	1	Fuse-15 Amp
1:5	100-4918	1	Diode
2	99-3441	1	Harness-Wire, Fusible Link
3	108-8657	1	Harness-Wire, Seat
4	104-8301	1	Nut-Flange, NI

<i>Ref.</i>	<i>Part Number</i>	<i>Qty.</i>	<i>Description</i>
5	104-0086	1	Cable-Battery, Positive
6	3231-6	1	Screw-CARR
7	105-0040	1	Cable-Battery, Negative
8	66-2490	1	Retainer-Battery
9	3256-24	1	Washer-Flat
10	108-9928	1	Tray-Battery
11	106-5187	1	Battery
12	3290-378	5	Tie-Cable



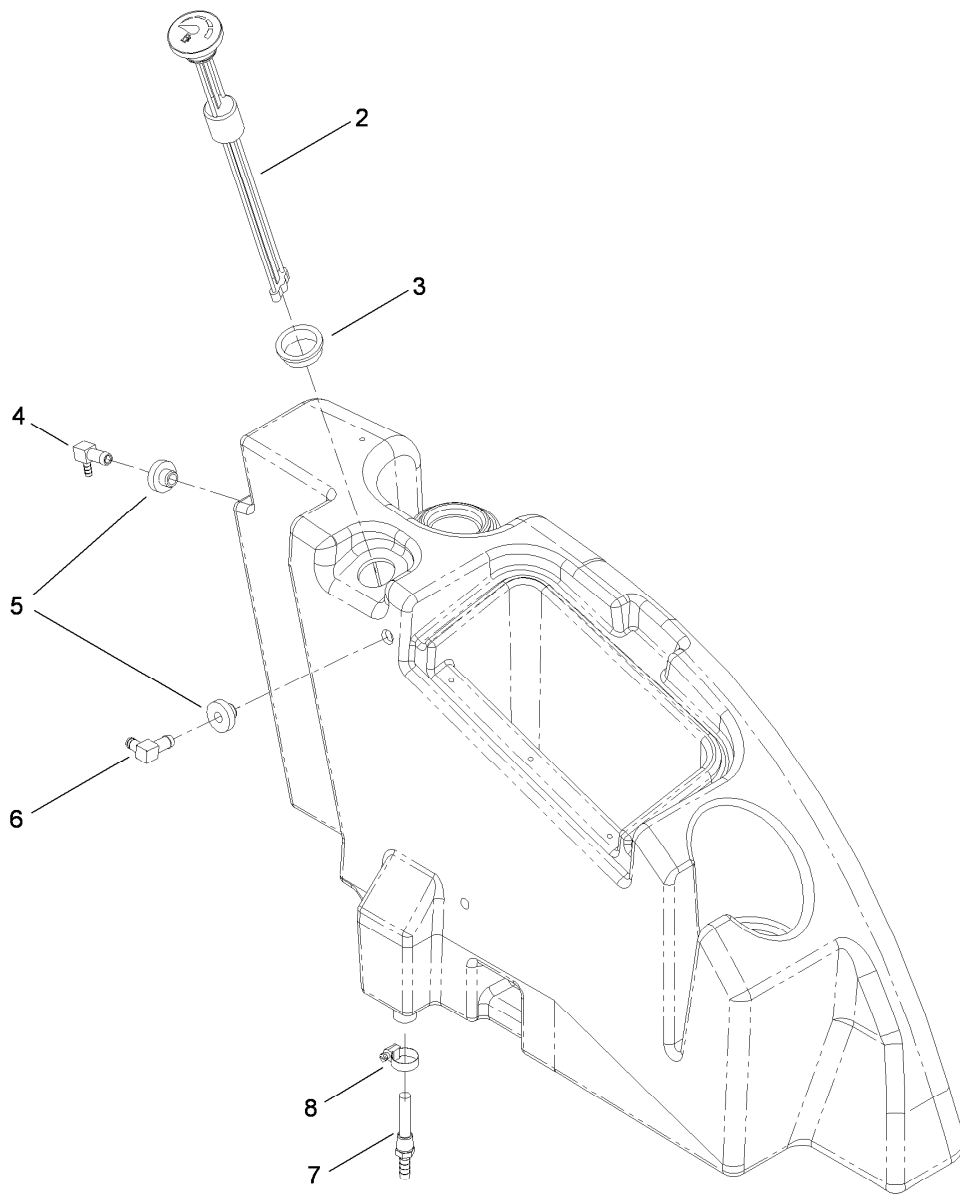
Hood Assembly

<i>Ref.</i>	<i>Part Number</i>	<i>Qty.</i>	<i>Description</i>	<i>Ref.</i>	<i>Part Number</i>	<i>Qty.</i>	<i>Description</i>
1	112-6311	1	Hood ASM	13	103-2897	2	Latch-Catch
2	3256-2	4	Washer-Flat	14	110-8285-03	1	Angle-Seal
3	103-2898	2	Latch-Rubber	15	110-9795	1	Support-Hood
4	237-136	1	Grommet	15:2	110-9781	1	Decal-Danger
5	32104-95	2	Screw-HWH	16	108-9811	1	Support-Rod, Prop
6	3290-255	1	Pin-Cotter, Hair	17	110-8287	1	Bulb-Seal
7	115-1446-03	1	Screen-Intake	18	3234-33	8	Screw-HHF
8	110-8291	1	Rod-Prop, Hood	19	104-7201	11	Nut-HF
9	3272-6	1	Pin-Cotter	20	110-8288	2	Seal-Foam
10	3274-39	4	Screw-HSBH	21	112-1694	1	Seal-Bulb
11	3296-2	4	Nut-Lock, NI	22	114-4899	17	Plug-Plastic
12	3229-11	3	Screw-CARR				



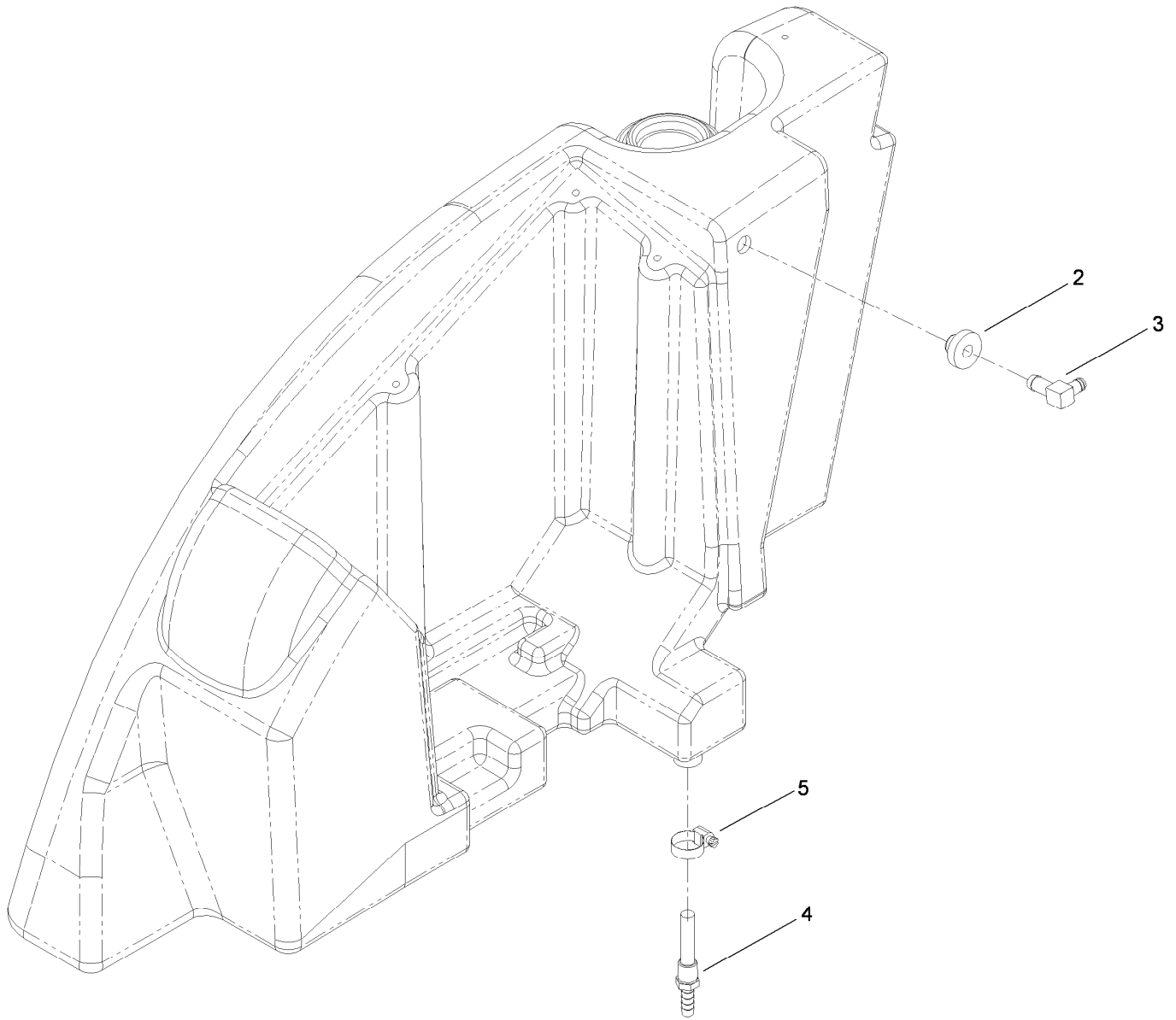
Fuel Tank Assembly

Ref.	Part Number	Qty.	Description	Ref.	Part Number	Qty.	Description
1	110-8230	1	LH Fuel Tank ASM	21	110-8252	1	Decal-Instructions, Service
2	110-8236	1	RH Fuel Tank ASM	22	107-4543	4	Clamp
3	115-5305	2	Cap-Fuel	23	322-10	4	Screw-HH
4	110-8261	1	Tube-Vent, LH	24	104-8300	4	Nut-Flange, NI
5	110-8260	1	Tube-Vent, RH	25	110-5539	1	Spacer
6	110-6186	2	Hose-Fuel	26	105-6814	2	Washer-Plain
7	354-107	1	Fitting-HYD, Tee	27	323-39	1	Screw-HH
8	104-7201	1	Nut-HF	28	104-8301	2	Nut-Flange, NI
9	110-4113	1	Hose-Fuel	29	110-5540-03	1	Cover-Toolbox
10	110-8806	1	Pump-Fuel	30	112-6349	6	Screw-HWH
11	112-6388	1	Hose-Fuel	31	110-9662	1	Hose-Fuel
12	110-8817	1	Bracket-Pump, Fuel	32	108-2024	1	Hinge
13	323-13	1	Screw-HH	33	3234-4	1	Screw-HHF
15	92-2379	11	Clamp-Hose	34	2412-137	1	Clamp-R, Double
16	3290-378	2	Tie-Cable	35	3290-412	2	Rivet
17	32149-8	3	Nut-Keps	36	3256-24	2	Washer-Flat
18	32144-110	1	Screw-HWH	37	95-1905	2	Washer-Rubber
19	92-1239	1	Spacer-Support	38	112-9561	4	Pad-Foam
20	2412-89	2	Clamp				



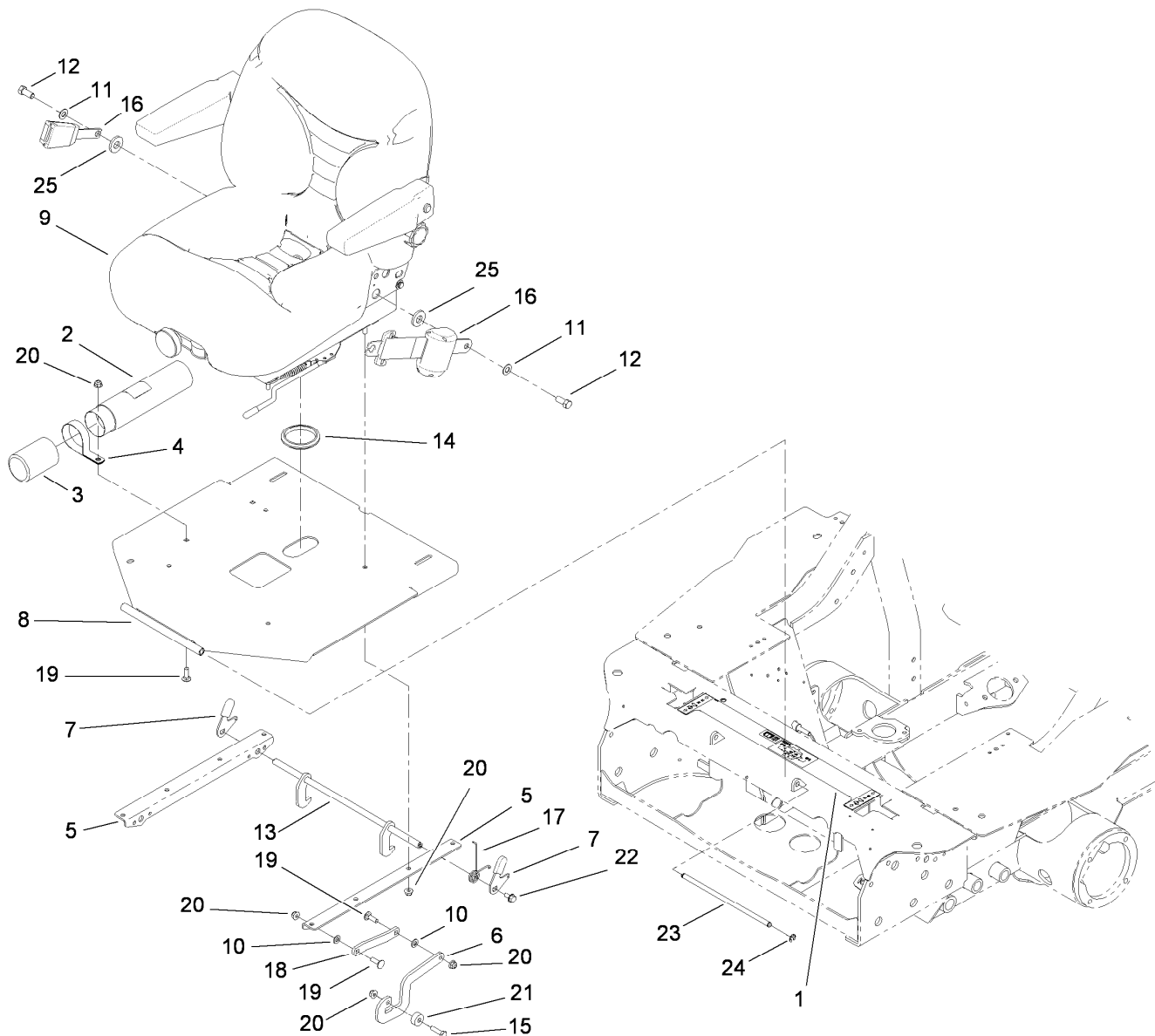
LH Fuel Tank Assembly No. 110-8230

<i>Ref.</i>	<i>Part Number</i>	<i>Qty.</i>	<i>Description</i>
2	110-8262	1	Gauge-Fuel
3	95-8972	1	Grommet
4	104-5228	1	Fitting-Elbow
5	46-6560	2	Bushing
6	1-643259	1	Fitting-Elbow
7	112-6374	1	Fitting-Strainer
8	2412-36	1	Clamp-Hose



RH Fuel Tank Assembly No. 110-8236

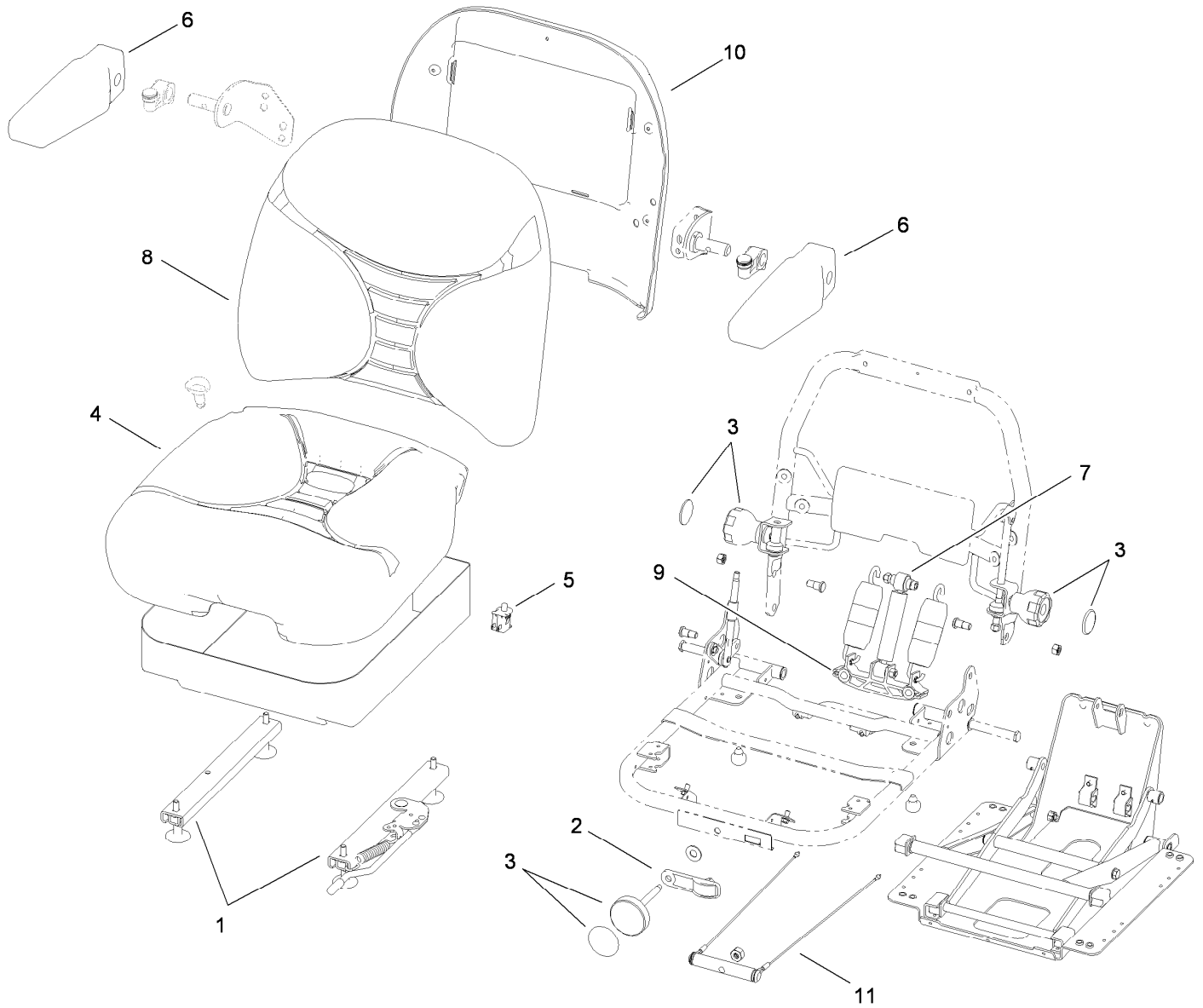
<i>Ref.</i>	<i>Part Number</i>	<i>Qty.</i>	<i>Description</i>
2	46-6560	1	Bushing
3	1-643259	1	Fitting-Elbow
4	112-6374	1	Fitting-Strainer
5	2412-36	1	Clamp-Hose



Seat Assembly

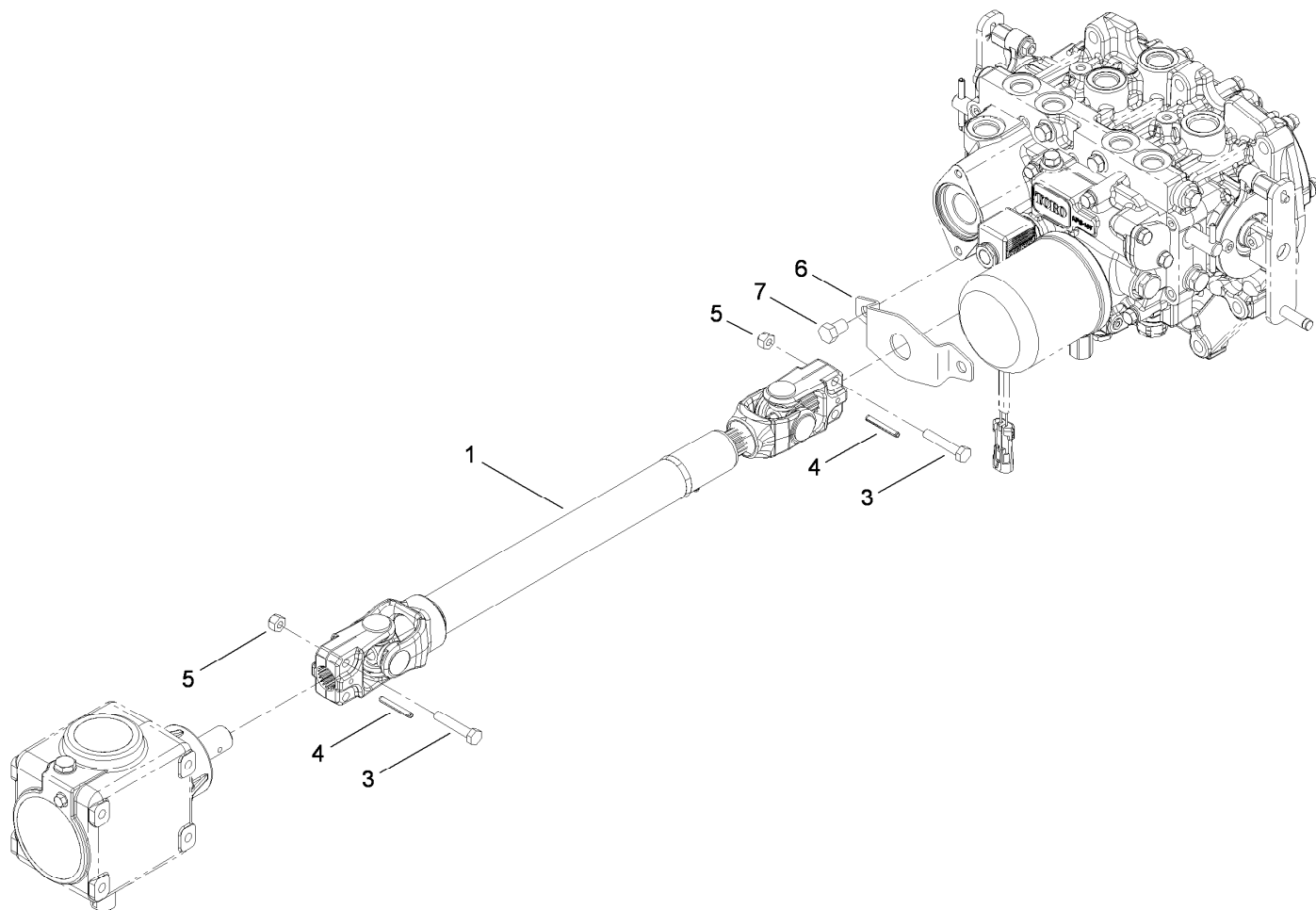
<i>Ref.</i>	<i>Part Number</i>	<i>Qty.</i>	<i>Description</i>
1	110-9774	1	Decal-Safety
2	104-7050	1	Tube-Manual
3	104-7048	1	Cap-Housing
4	2412-133	2	R-Clamp
5	108-5238-03	2	Angle-Latch
6	110-5512	1	Lever-Stop, Seat
7	108-5243	2	Lever-Latch
8	107-2272-03	1	Plate-Seat
9	107-2286	1	Seat ASM
10	3256-23	2	Washer-Flat
11	3256-25	2	Washer-Flat
12	3212-4	2	Screw-HH
13	108-5240	1	Latch ASM

<i>Ref.</i>	<i>Part Number</i>	<i>Qty.</i>	<i>Description</i>
14	237-164	1	Grommet
15	322-6	1	Screw-HH
16	110-0413	1	Seatbelt-Retractable
17	106-4048	1	Spring-Torsion
18	110-5513	1	Link-Seat
19	3230-2	4	Bolt-CARR
20	104-8300	9	Nut-Flange, NI
21	104-1429	1	Spacer-Plain
22	32144-14	2	Screw-HWHTF
23	112-1686	1	Pin-Clevis
24	105-7004	2	E-Ring
25	99-7667	2	Washer-Flat



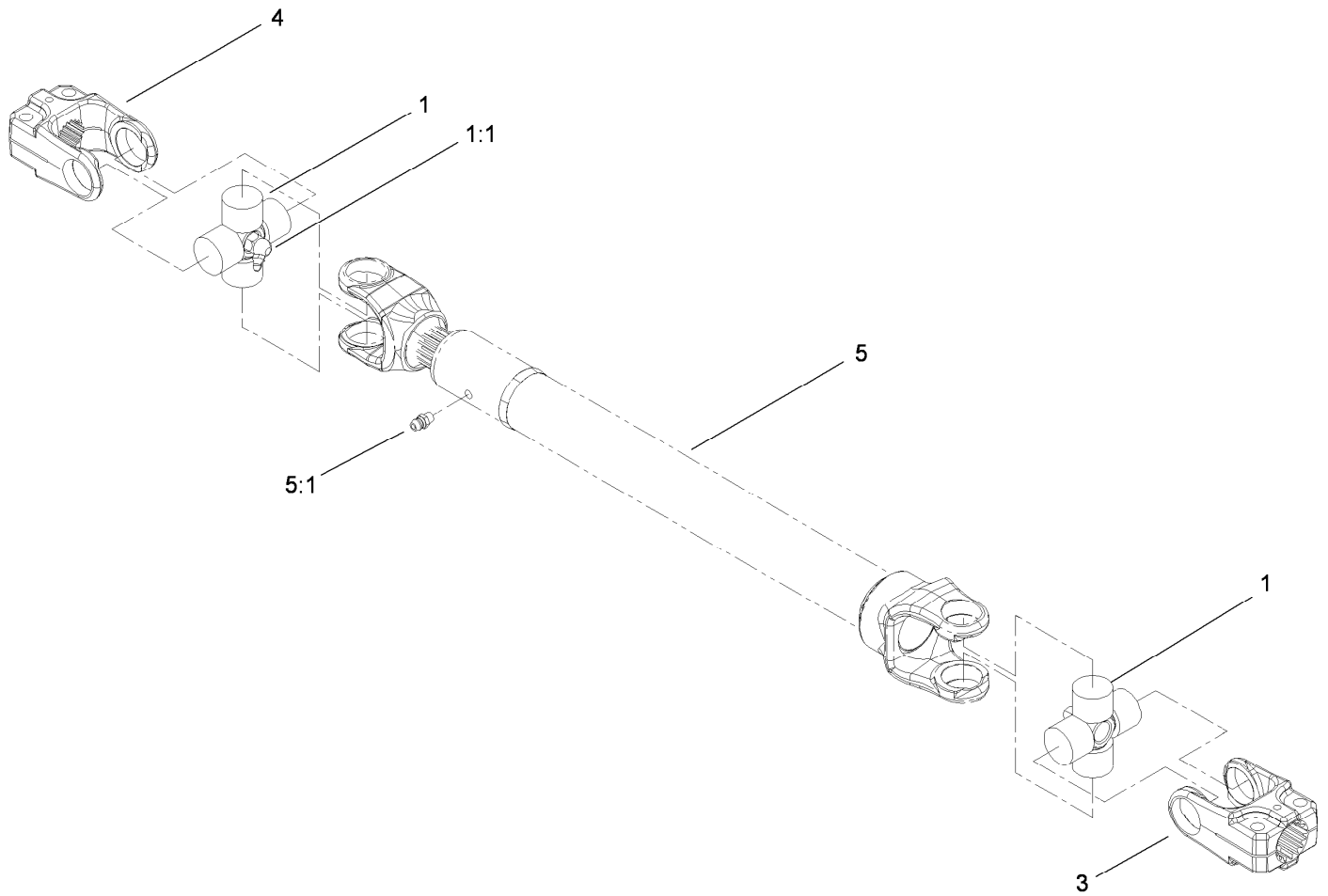
Seat Assembly No. 107-2286

Ref.	Part Number	Qty.	Description
1	107-1880	1	Seat Track Kit
2	107-1885	1	Weight Indicator Kit
3	107-1881	1	Knob Kit
4	107-1883	1	Bottom Cushion Kit
5	82-2190	1	Switch-Bail
6	107-1887	1	Armrest Kit
7	107-1884	1	Shock Absorber Kit
8	107-1882	1	Back Cushion Kit
9	109-3343	1	Spring And Saddle Kit
10	109-3344	1	Back Panel Kit
11	109-3345	1	Weight Adjust Kit



Driveshaft Assembly

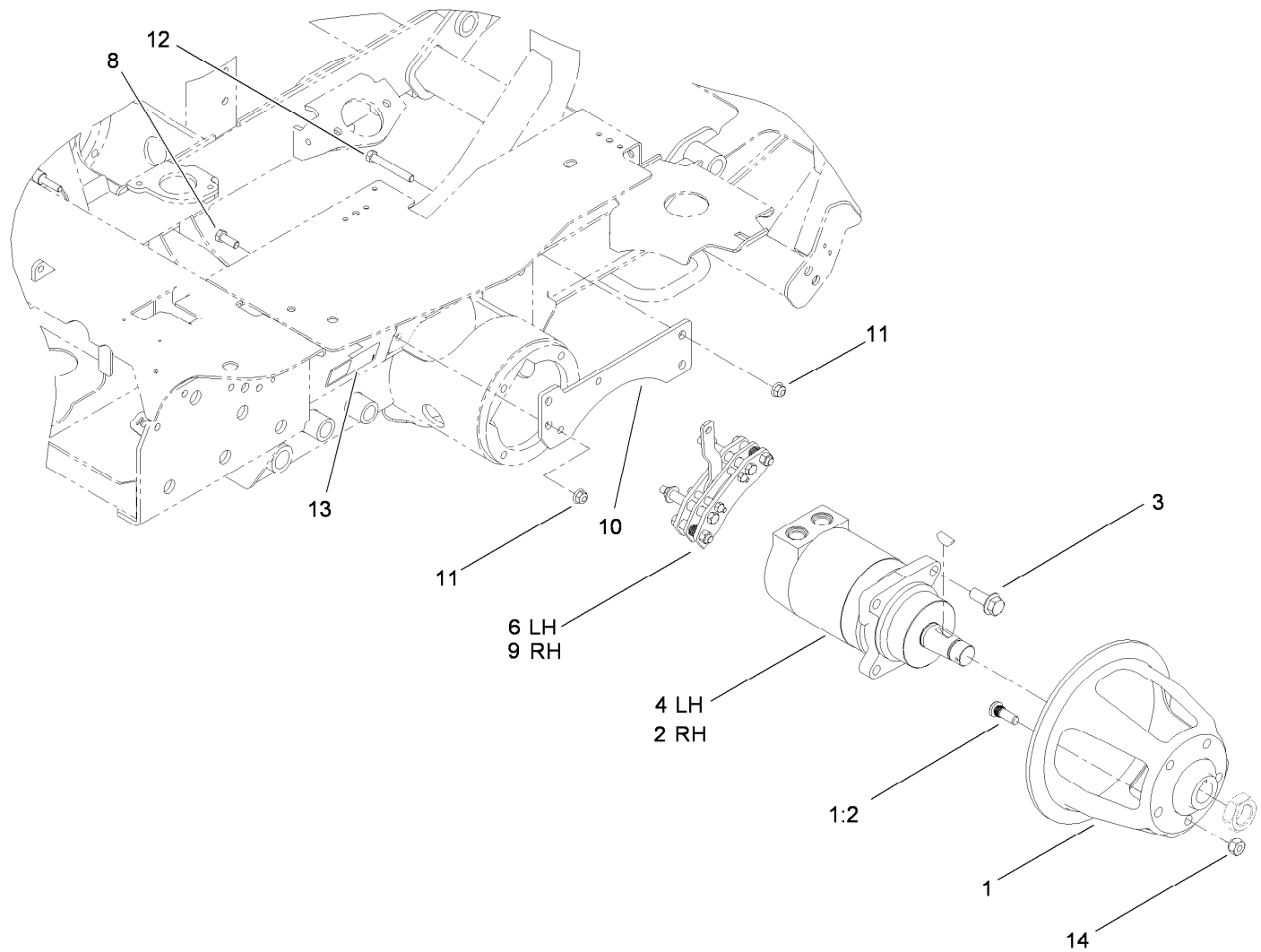
<i>Ref.</i>	<i>Part Number</i>	<i>Qty.</i>	<i>Description</i>
1	110-3575	1	Driveshaft
3	322-9	4	Screw-HH
4	32121-34	2	Pin-Roll
5	3296-29	4	Nut-Lock, NI
6	114-4088	1	Shield-Seal
7	33115-016	2	Screw-HH



Driveshaft Assembly No. 110-3575

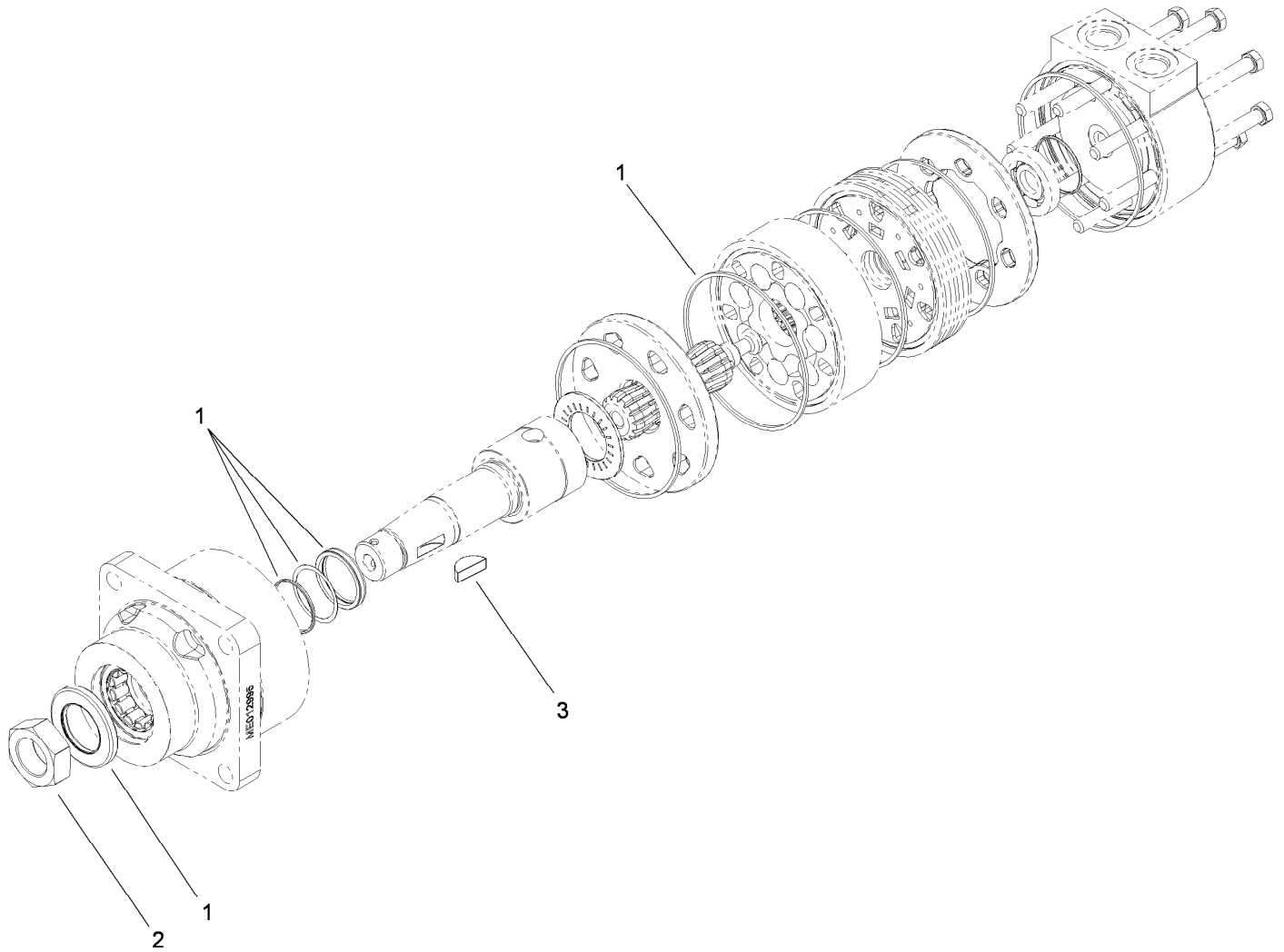
<i>Ref.</i>	<i>Part Number</i>	<i>Qty.</i>	<i>Description</i>
1	112-1687	2	Cross And Bearing Kit
1:1	62-3820	1	Fitting-Grease
3	54-9040	1	Yoke-End
4	54-9090	1	Yoke-End
5		1	Tube-Yoke, Slip ●
5:1	302-22	1	Fitting-Grease

● Not serviced separately



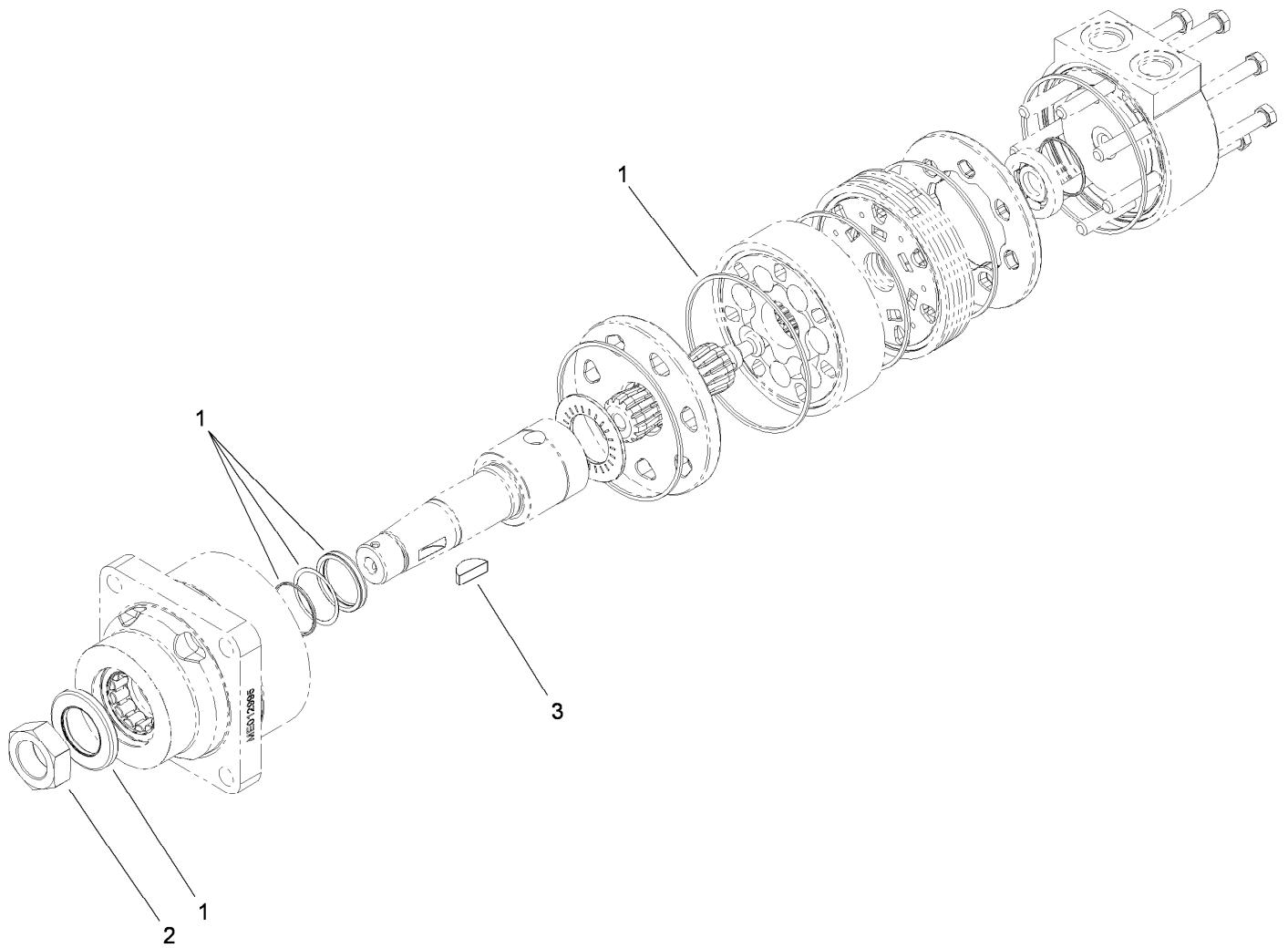
Rear Drive Assembly

<i>Ref.</i>	<i>Part Number</i>	<i>Qty.</i>	<i>Description</i>
1	110-5535	2	Wheel Hub ASM
1:2	87-8730	5	Stud
2	108-5230	1	RH HYD Motor ASM
3	100-6116	8	Screw-HHF
4	108-5155	1	LH HYD Motor ASM
6	108-5151	1	Caliper-Brake, LH
8	323-6	4	Screw-HH
9	108-5150	1	Caliper-Brake, RH
10	112-9550-03	2	Bracket-Brake
11	104-8301	8	Nut-Flange, NI
12	323-14	4	Screw-HH
13	106-9206	2	Decal-Torque, Wheel
14	23-7270	10	Nut-Wheel



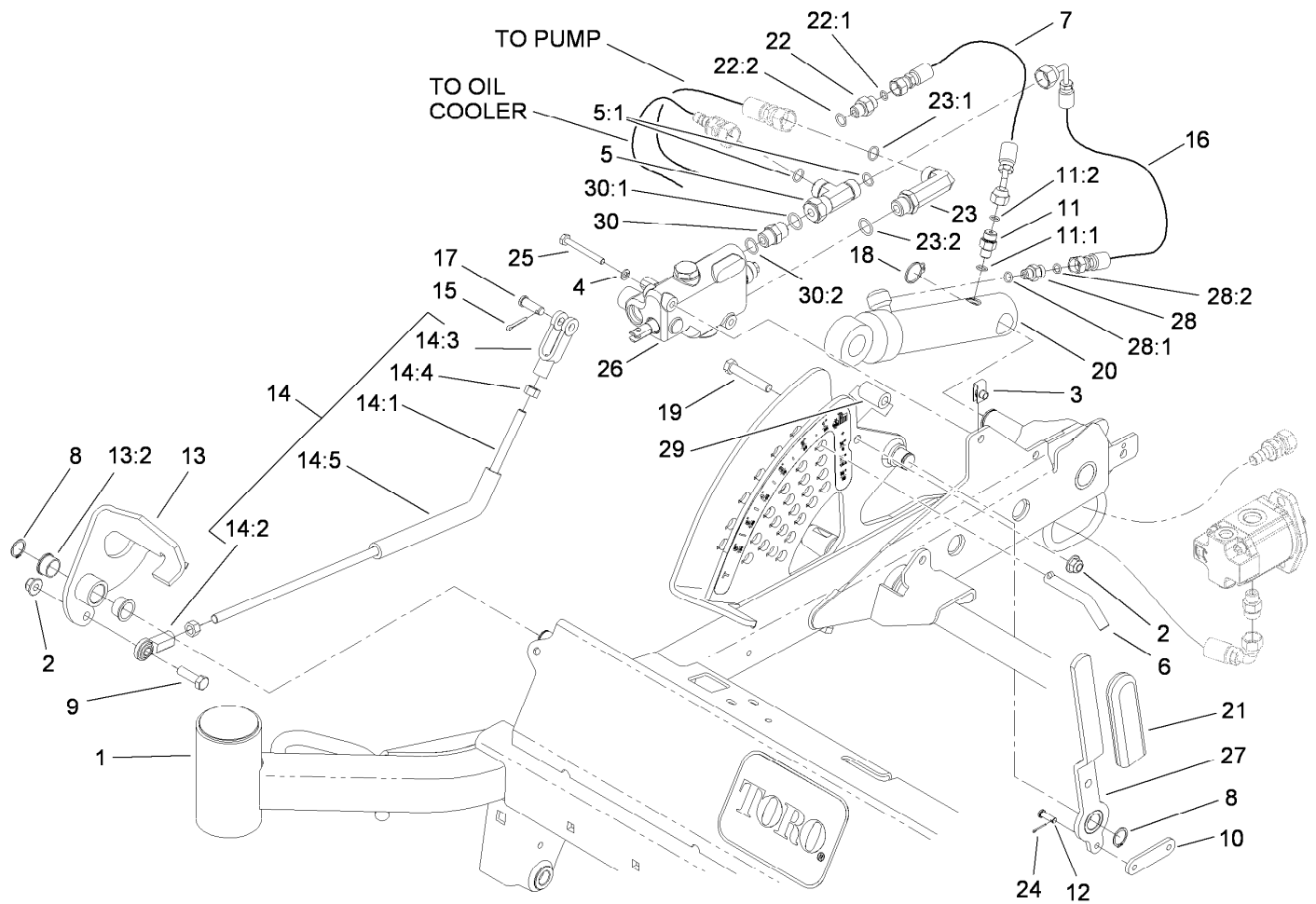
Hydraulic Motor Assembly No. 108-5155

<i>Ref.</i>	<i>Part Number</i>	<i>Qty.</i>	<i>Description</i>
1	112-8405	1	Seal Kit
2	107-9319	1	Nut-Hex
3	3257-42	1	Key-Woodruff



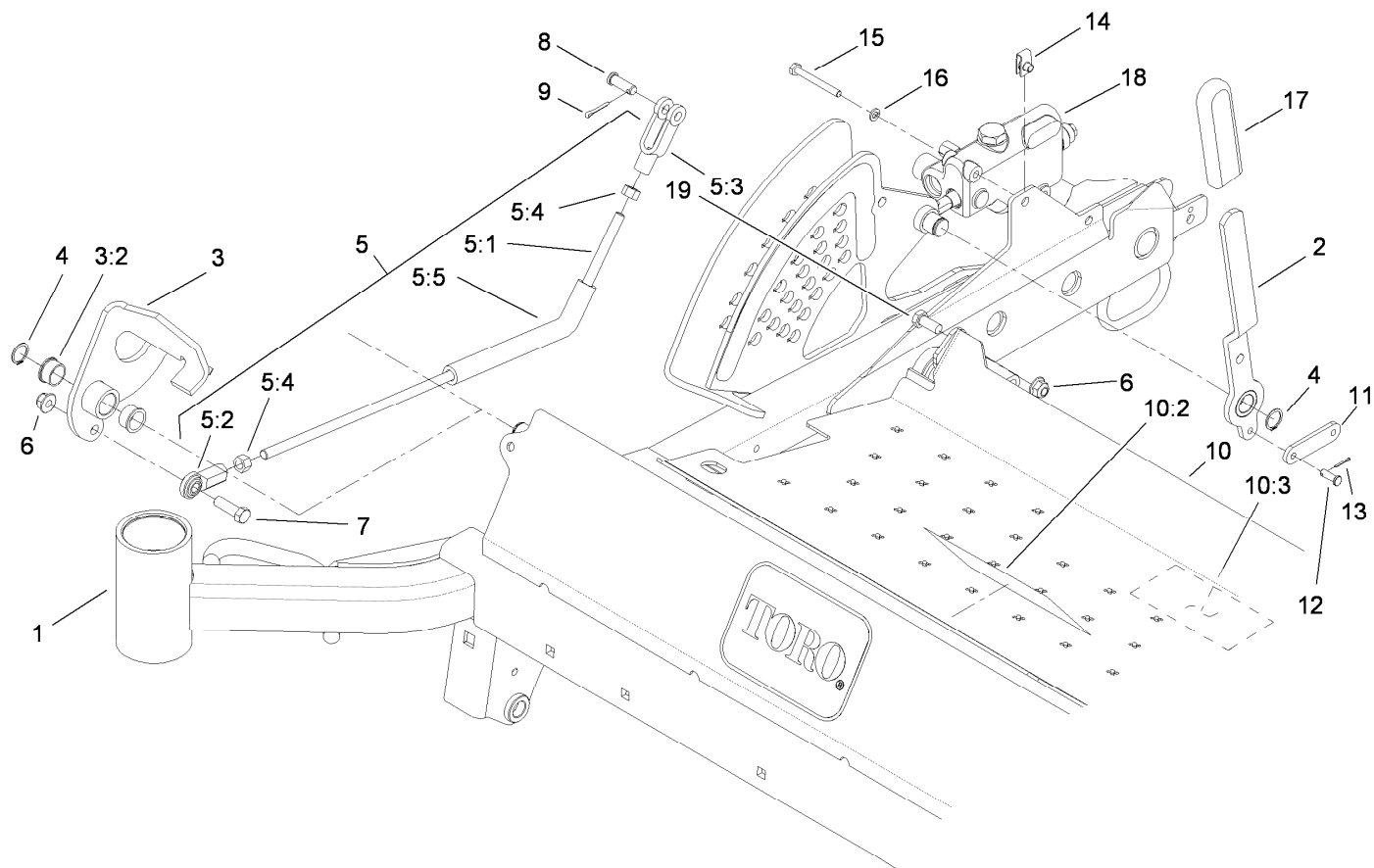
Hydraulic Motor Assembly No. 108-5230

<i>Ref.</i>	<i>Part Number</i>	<i>Qty.</i>	<i>Description</i>
1	112-8405	1	Seal Kit
2	107-9319	1	Nut-Hex
3	3257-42	1	Key-Woodruff



Carrier Frame and Valve Assembly

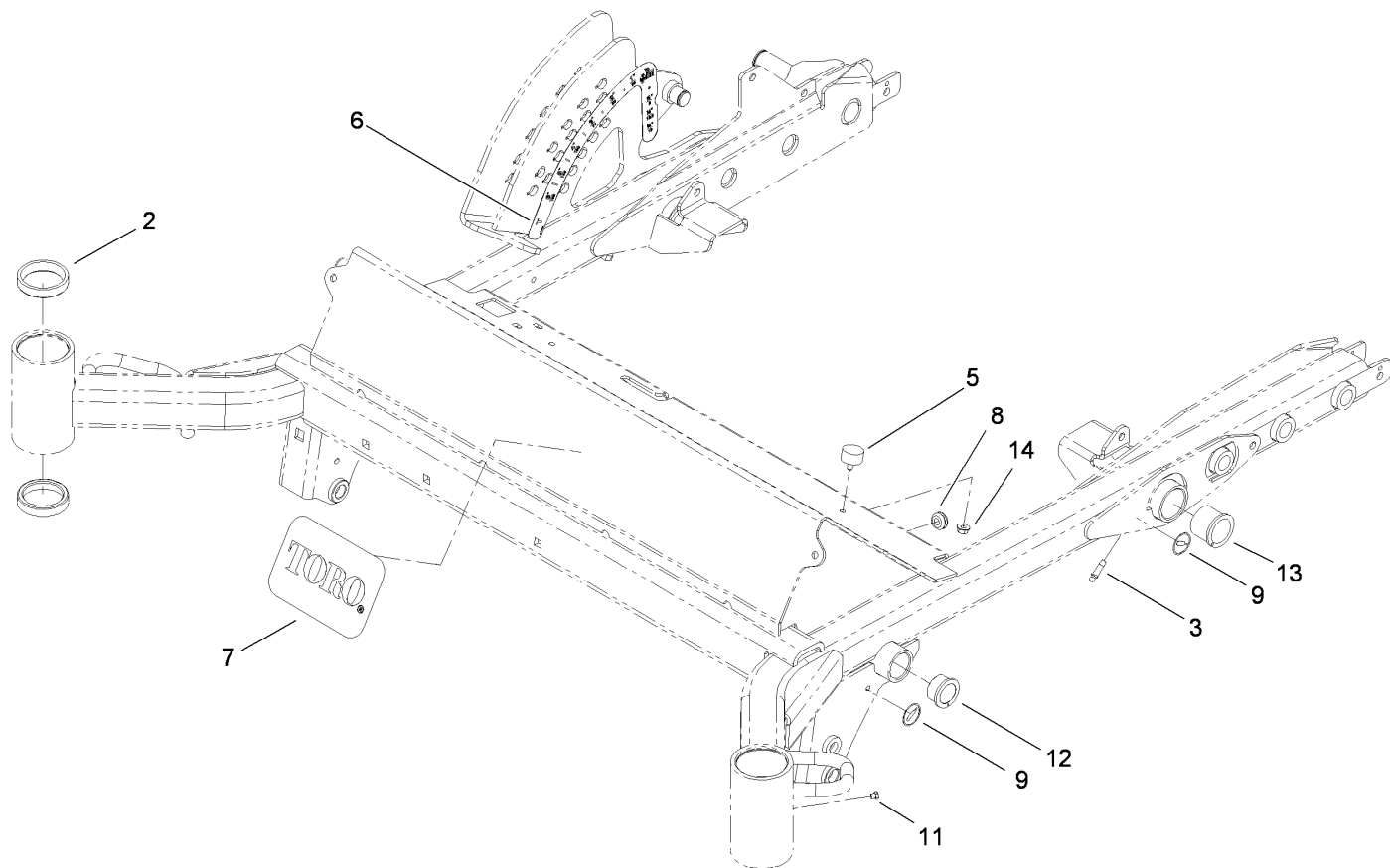
Ref.	Part Number	Qty.	Description	Ref.	Part Number	Qty.	Description
1	114-4087	1	Carrier Frame Kit ASM	16	117-9236	1	Hose ASM
2	104-8301	2	Nut-Flange, NI	17	283-2	1	Pin-Clevis
3	107069	2	Clip	18	32151-36	1	Ring-Retaining
4	3253-3	2	Washer-Lock	19	323-11	1	Screw-HH
5	340-104	1	Tee-Fitting	20	110-9834	1	Cylinder-HYD
5:1	237-30	2	O-Ring	21	1-633268	1	Grip-Lever, Brake
6	112-9544	1	Pin-HOC	22	340-1	1	Adapter
7	110-8966	1	Hose ASM	22:1	237-21	1	O-Ring
8	32120-72	2	Ring-Snap	22:2	237-42	1	O-Ring
9	323-7	1	Screw-HH	23	99-6160	1	Fitting-Elbow, 90 DEG
10	114-4042	1	Link	23:1	237-30	1	O-Ring
11	95-1639	1	Fitting-HYD	23:2	237-79	1	O-Ring
11:1	237-78	1	O-Ring	24	3272-1	2	Pin-Cotter
11:2	237-21	1	O-Ring	25	321-18	2	Screw-HH
12	1-808265	2	Pin-Clevis	26	117-9235	1	Valve ASM
13	112-9534	1	Pedal ASM	27	114-4027-03	1	Lever ASM
13:2	256-252	2	Bearing-Flange	28	340-92	1	Fitting-HYD, Straight
14	112-9539	1	Link ASM	28:1	237-78	1	O-Ring
14:1	112-9535	1	Rod-Threaded	28:2	237-21	1	O-Ring
14:2	103-0608	1	Joint-Ball, End	29	115-1425	1	Spacer
14:3	1-633131	1	Yoke-Linkage, Brake	30	340-4	1	Fitting-HYD, Straight
14:4	3219-3	2	Nut-Hex	30:1	237-30	1	O-Ring
14:5	114-4041	1	Hose-Foam	30:2	237-79	1	O-Ring
15	3272-10	1	Pin-Cotter				



Carrier Frame Kit Assembly No. 114-4087

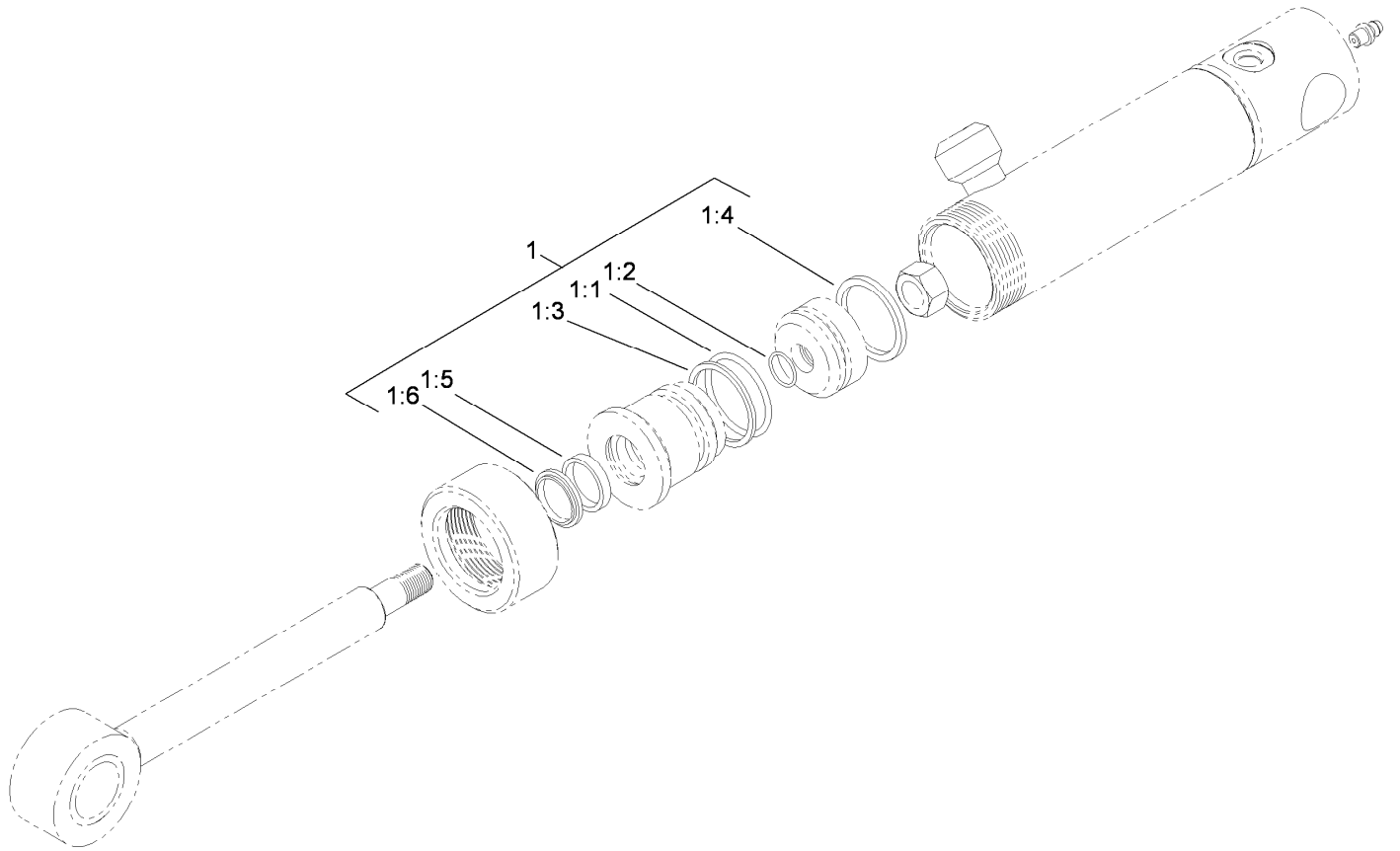
Ref.	Part Number	Qty.	Description	Ref.	Part Number	Qty.	Description
1		1	Carrier Frame ASM ●	9	3272-10	1	Pin-Cotter
2	114-4027-03	1	Lever ASM	10	114-4048	1	Floor Plate ASM
3	112-9534	1	Pedal ASM	10:2	107-1866	1	Decal-Danger, Slope
3:2	256-252	2	Bearing-Flange	10:3	112-1461	1	Decal-Routing, Belt
4	32120-72	2	Ring-Snap	11	114-4042	1	Link
5	112-9539	1	Link ASM	12	1-808265	2	Pin-Clevis
5:1	112-9535	1	Rod-Threaded	13	3272-1	2	Pin-Cotter
5:2	103-0608	1	Joint-Ball, End	14	107069	2	Clip
5:3	1-633131	1	Yoke-Linkage, Brake	15	321-18	2	Screw-HH
5:4	3219-3	2	Nut-Hex	16	3253-3	2	Washer-Lock
5:5	114-4041	1	Hose-Foam	17	1-633268	1	Grip-Lever, Brake
6	104-8301	3	Nut-Flange, NI	18	117-9235	1	Valve ASM
7	323-7	1	Screw-HH	19	323-5	2	Screw-HH
8	283-2	1	Pin-Clevis				

● Not serviced separately



Carrier Frame Assembly

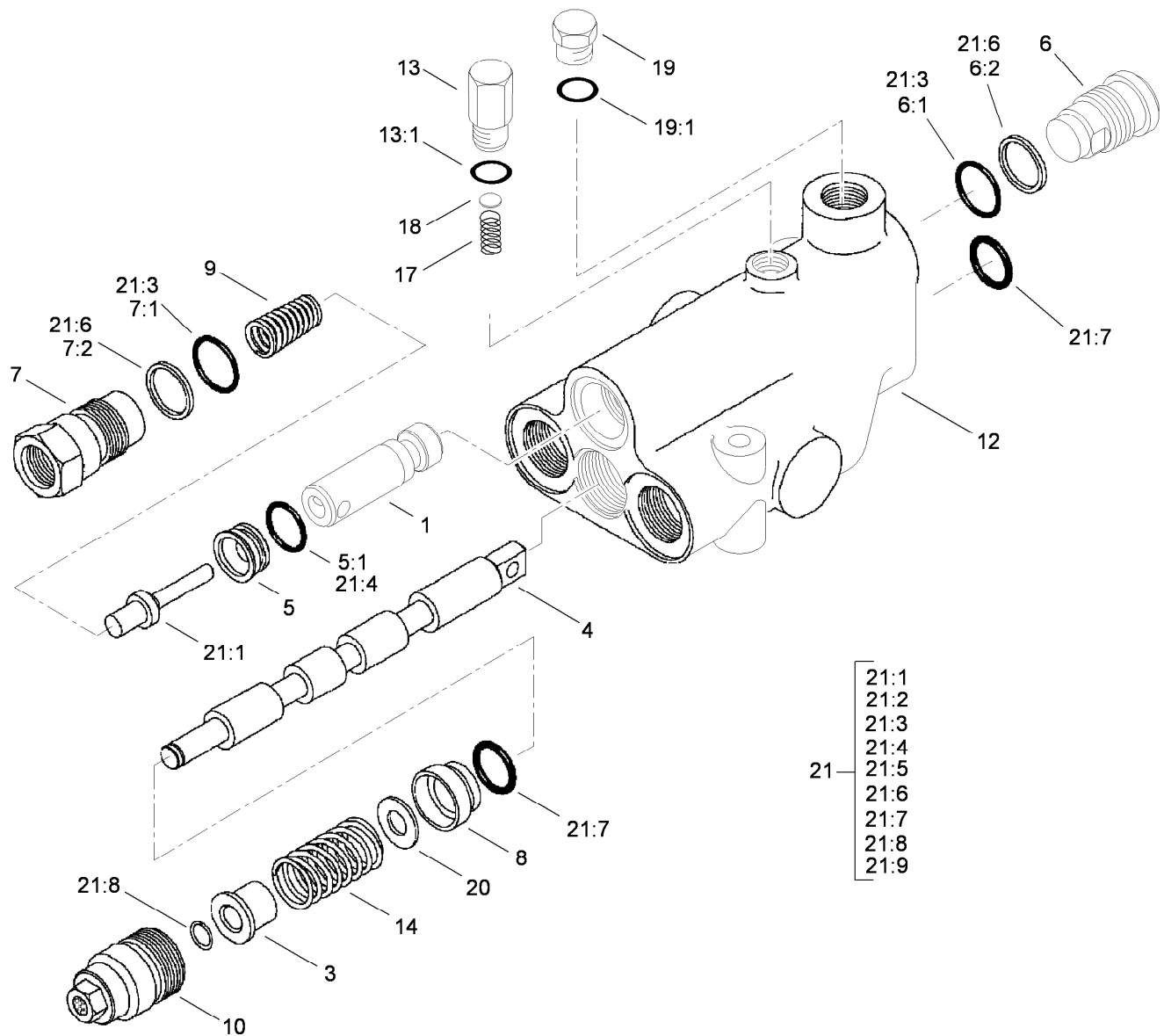
<i>Ref.</i>	<i>Part Number</i>	<i>Qty.</i>	<i>Description</i>
2	254-107	4	Cup-Bearing, Tapered
3	302-64	2	Fitting-Grease
5	240-14	4	Bumper-Rubber
6	112-1620	1	Decal-HOC
7	99-4693	1	Decal
8	237-141	1	Grommet-Rubber
9	58-6520	4	Decal-Grease
11	1-811010	2	Plug
12	94-7574	2	Bushing-Flanged
13	256-268	2	Bushing
14	104-7201	4	Nut-HF



Hydraulic Cylinder Assembly No. 110-9834

<i>Ref.</i>	<i>Part Number</i>	<i>Qty.</i>	<i>Description</i>
1	112-6353	1	Seal Kit
1:1		1	O-Ring ●
1:2		1	O-Ring ●
1:3		1	Backup ●
1:4		1	Seal-Bp ●
1:5		1	Seal-Rod ●
1:6		1	Seal-Dust ●

● Not serviced separately

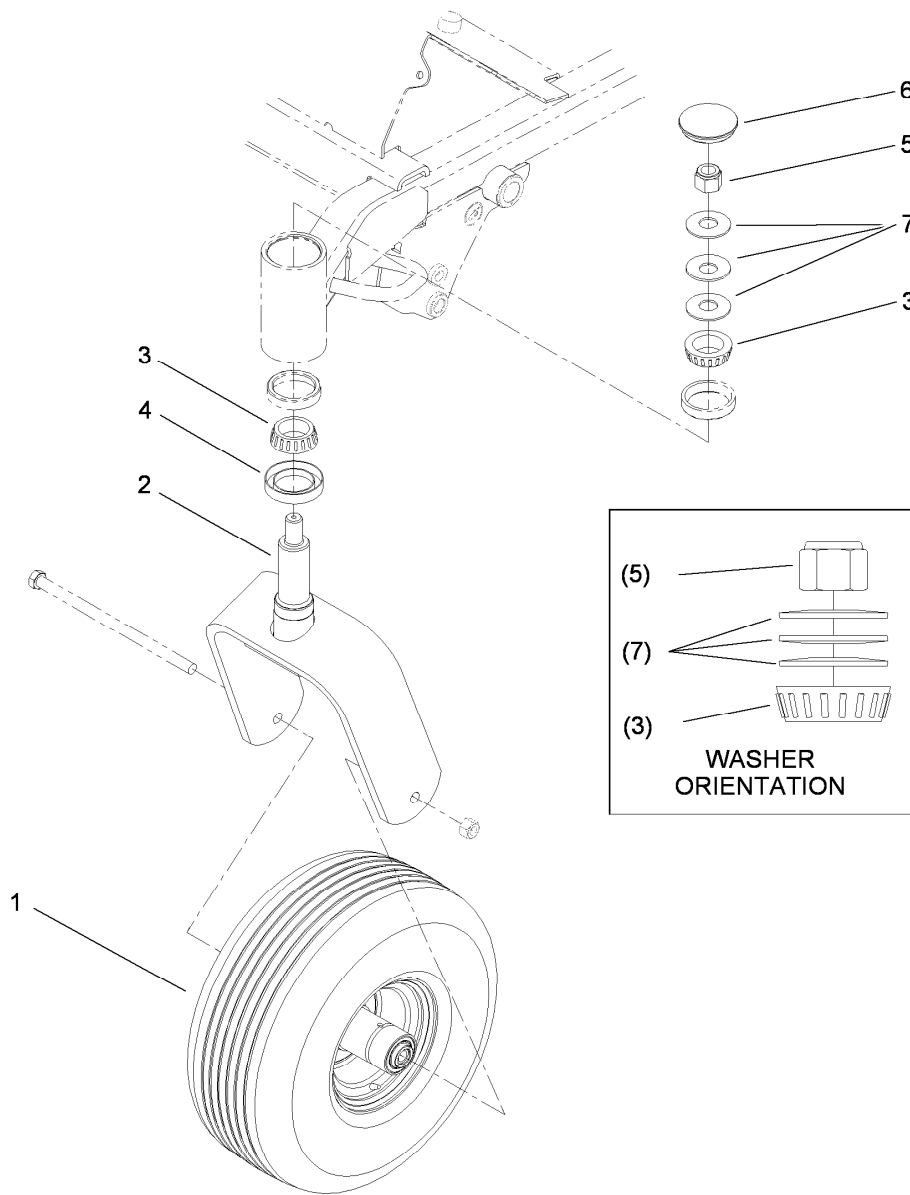


Hydraulic Valve Assembly No. 117-9235

Ref.	Part Number	Qty.	Description	Ref.	Part Number	Qty.	Description
1	99-3586	1	Plunger	14	99-3531	1	Spring
3	58-6310	1	Spacer	17	58-6760	1	Spring
4		1	Spool ■	18	60-6450	1	Disc
5	58-6330	1	Seat	19	58-6710	1	Plug
5:1	58-6340	1	O-Ring	19:1	58-6720	1	O-Ring
6	58-6350	1	Plug	20	65-2770	1	Washer
6:1	60-5720	1	O-Ring	21	99-3589	1	Seal Kit ●
6:2	58-6370	1	Washer	21:1	58-6290	2	Poppet
7	69-1800	1	Plug ASM	21:2	58-6320	1	Wiper
7:1	60-5720	1	O-Ring	21:3	60-5720	2	O-Ring
7:2	58-6370	1	Washer	21:4	58-6340	2	O-Ring
8	58-6400	1	Bushing	21:5	93-6314	1	O-Ring
9	69-1810	1	Spring	21:6	58-6370	2	Washer
10	58-6420	1	Cap	21:7	58-6450	2	O-Ring
12		1	Body ■	21:8	58-6460	1	Ring-Retaining
13	58-6780	1	Plug	21:9		1	O-Ring ■
13:1	58-6790	1	O-Ring				

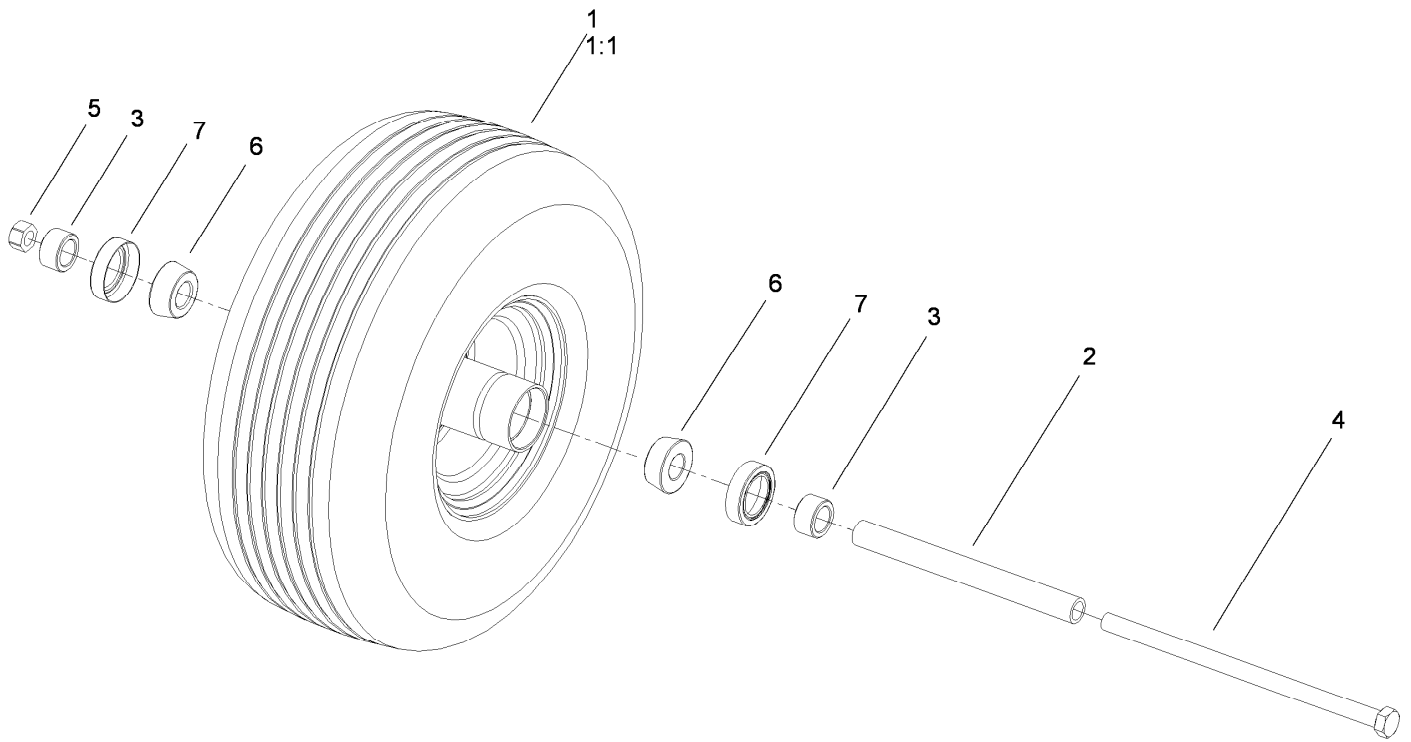
● Not illustrated

■ Not serviced separately



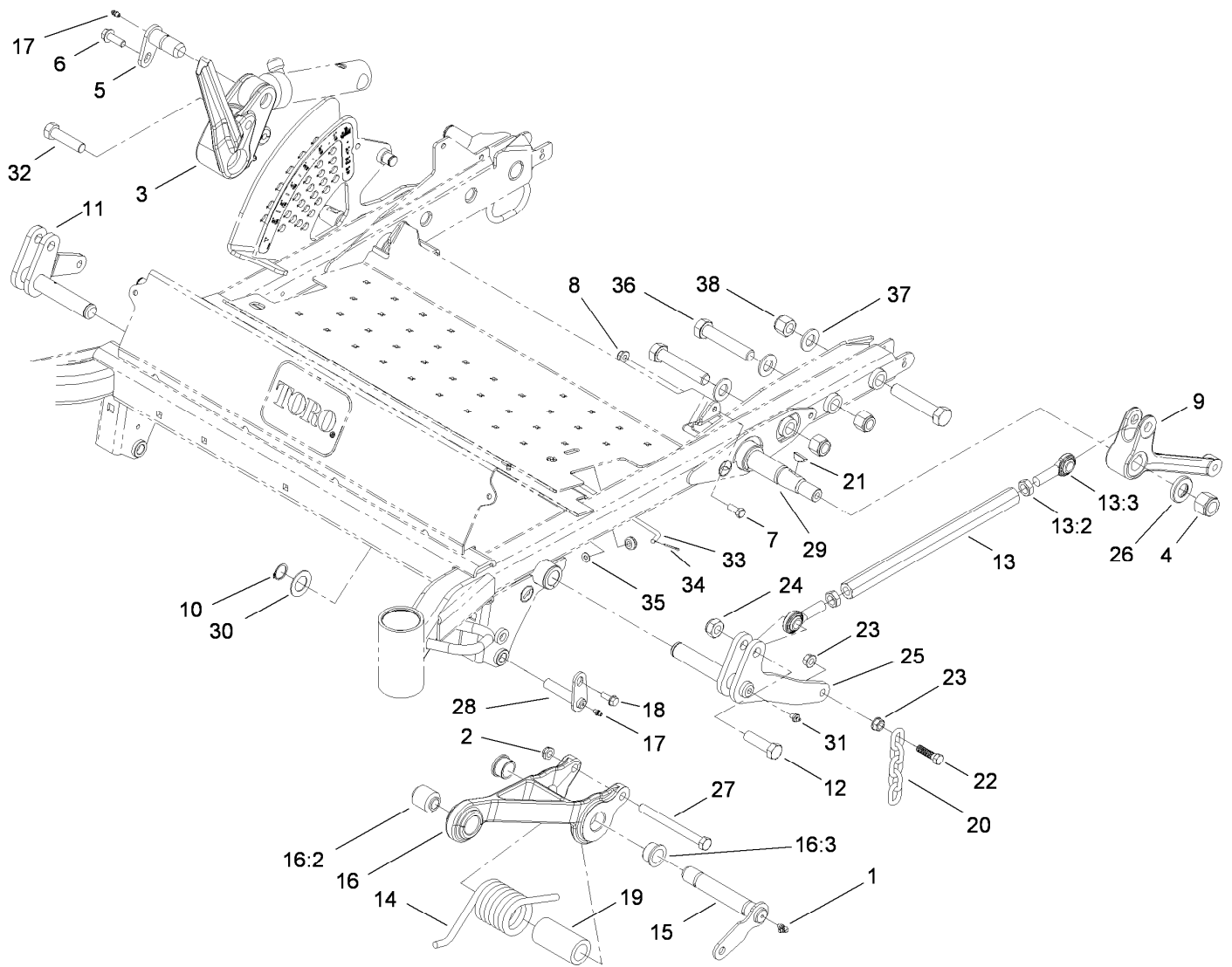
Caster Fork Assembly

<i>Ref.</i>	<i>Part Number</i>	<i>Qty.</i>	<i>Description</i>
1	108-9954	2	Caster Wheel ASM
2	108-9946-03	2	Fork-Caster
3	254-106	4	Cone-Bearing, Tapered
4	69-2980	2	Seal
5	3296-51	2	Nut-Lock, NI
6	108-9950	2	Cap-Grease
7	108-9957	6	Washer-Belleville



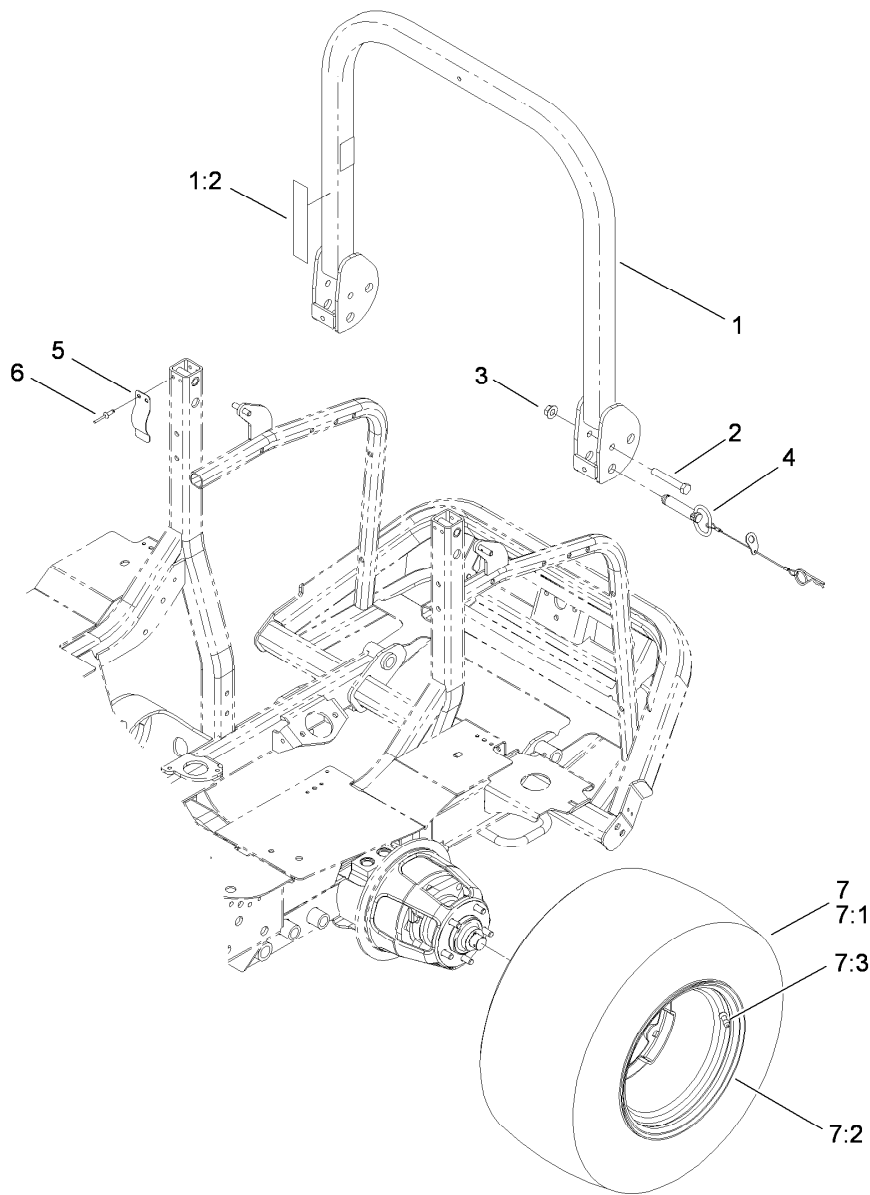
Caster Wheel Assembly No. 108-9954

<i>Ref.</i>	<i>Part Number</i>	<i>Qty.</i>	<i>Description</i>
1	108-9956	1	Tire And Wheel ASM
1:1	108-9955	1	Tire
2	1-633959	1	Spacer-Caster, Front
3	1-633581	2	Spacer-Bearing
4	325-39	1	Screw-HH
5	3296-25	1	Nut-Lock, NI
6	1-633585	2	Bearing-Cone, Taper
7	1-633580	2	Seal-Bearing



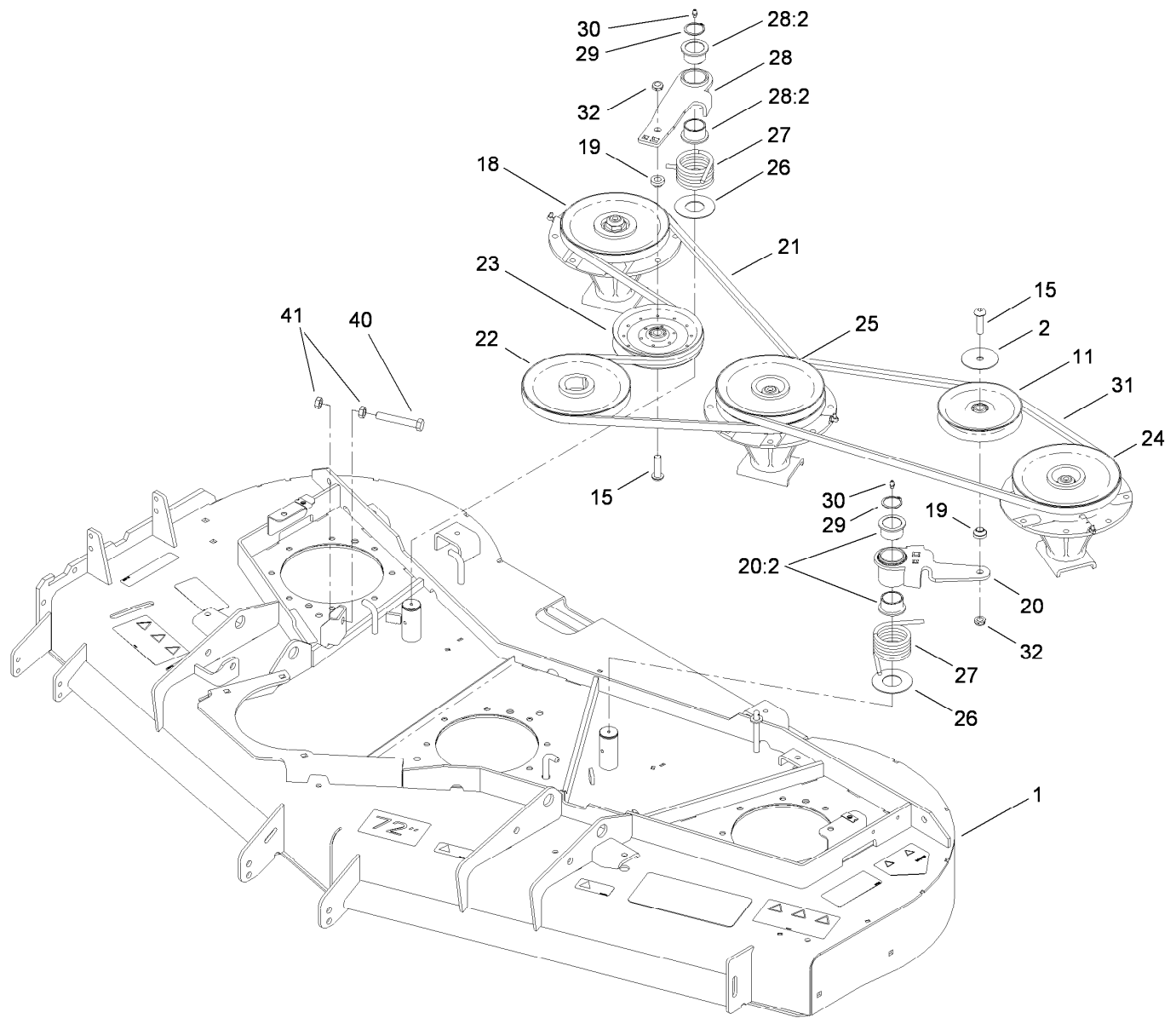
Deck Linkage Assembly

Ref.	Part Number	Qty.	Description	Ref.	Part Number	Qty.	Description
1	302-60	4	Fitting-Grease	18	32144-41	2	Screw-Taptite
2	3296-45	2	Nut-Lock, NI	19	110-9845	2	Spacer-Plain
3	112-1635	1	Arm-Lift, RH	20	103-1898	4	Screw-HH
4	94-8000	2	Nut-Hex	21	3257-42	2	Key-Woodruff
5	98-2654	1	Pivot Pin ASM	22	1-633447	4	Chain-Lift, Deck
6	3234-15	1	Screw	23	32128-37	6	Nut-HF
7	323-5	2	Screw-HH	24	3296-61	3	Nut-Lock
8	104-8301	2	Nut-Flange, NI	25	110-9818-03	1	LH Lift ASM
9	112-1637	1	Arm-Lift, LH	26	112-9585	2	Washer-Hardened
10	32151-29	2	Ring-Retaining	27	325-22	2	Screw-HH
11	110-9820-03	1	RH Lift ASM	28	112-1602	2	Pin-Retainer
12	327-22	3	Screw-HH	29	112-9522-03	1	Shaft-Lift, Deck
13	114-4059	2	Link ASM	30	69-9010	2	Washer
13:2	3220-6	2	Nut-Jam	31	302-2	2	Fitting-Grease
13:3	1-633029	2	Balljoint-Spherical	32	327-7	1	Screw-HH
14	110-9828	2	Spring-Torsion	33	110-9847	1	Rod-Prop
15	112-1622	2	Pin	34	3272-6	1	Pin-Cotter
16	112-1625	2	Pull Link ASM	35	3256-22	1	Washer-Flat
16:2	107-2328	1	Bushing	36	328-7	5	Screw-HH
16:3	114-5680	2	Bushing-Flange	37	92-5836	5	Washer
17	302-5	3	Fitting-Grease	38	3296-51	5	Nut-Lock, NI



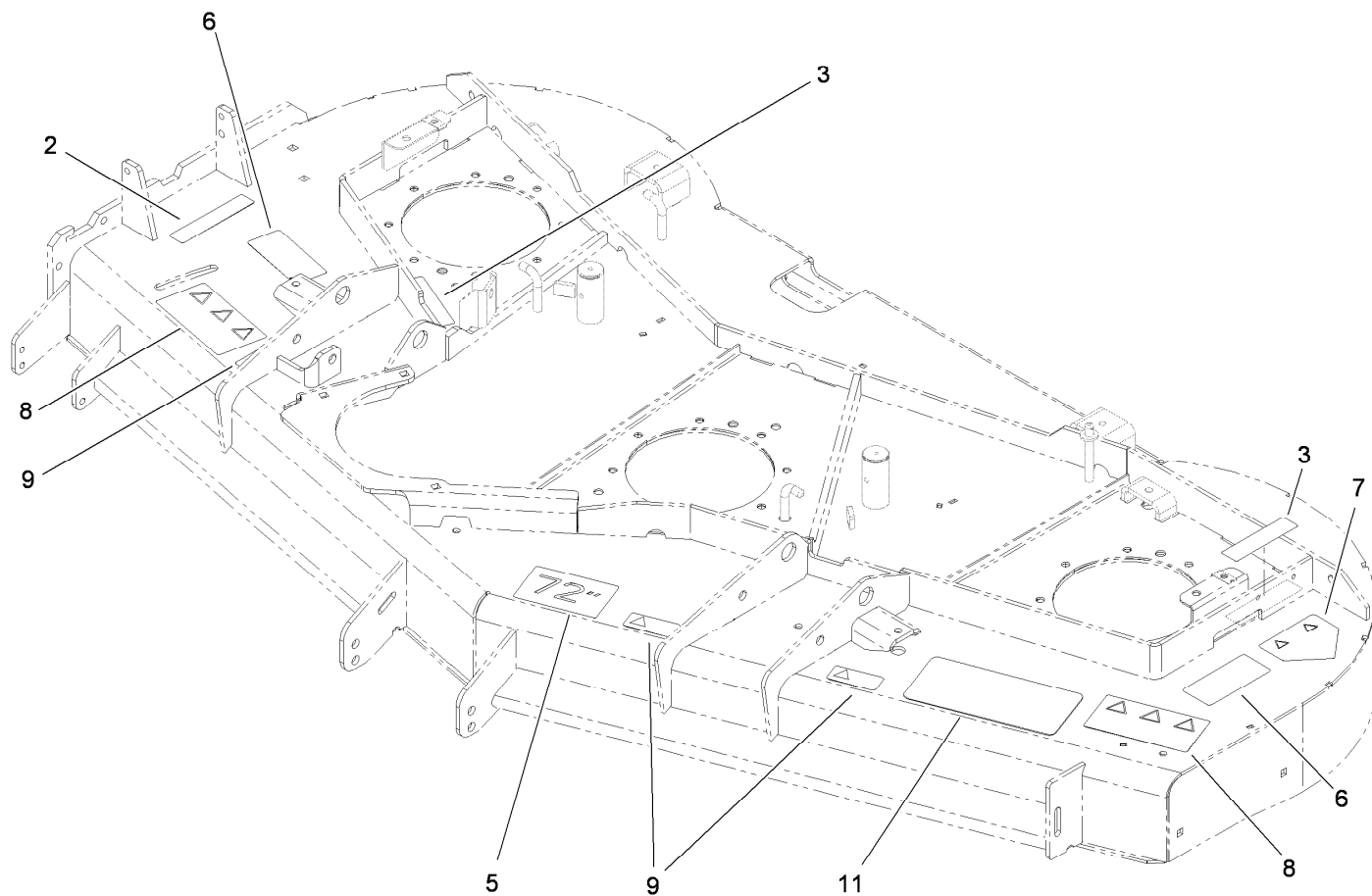
Roll-Over and Protection System and Rear Wheel Assembly

<i>Ref.</i>	<i>Part Number</i>	<i>Qty.</i>	<i>Description</i>
1	110-9770	1	Upper ROPS ASM
1:2	107-3069	1	Decal-Warning, Folding ROPS
2	325-13	2	Screw-HH
3	32128-23	2	Nut-HF
4	103-4553	2	ROPS Fold Pin ASM
5	110-5696	2	Spring-Leaf
6	3290-412	4	Rivet
7	106-7864	2	Tire And Wheel ASM
7:1	106-7868	1	Tire
7:2	87-6750	1	Wheel
7:3	232-27	1	Stem-Valve



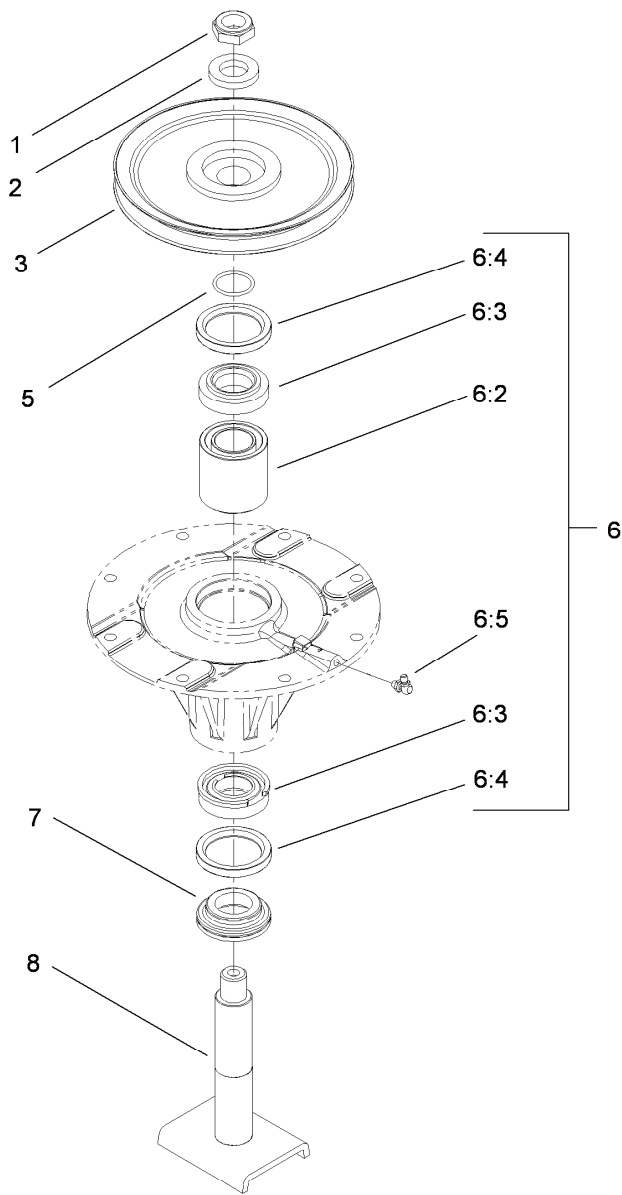
Deck Belt and Pulley Assembly

Ref.	Part Number	Qty.	Description	Ref.	Part Number	Qty.	Description
1	108-9901	1	Deck ASM	25	110-6381	1	Double Spindle ASM
2	100-3102	1	Washer-Flat	26	108-1926	2	Washer
11	01-268-0160	1	Pulley-Idler	27	108-1921	2	Spring-Torsion
15	108-1993	2	Screw-HSBH	28	108-1930	1	Idler Arm ASM
18	108-1957	1	Spindle ASM	28:2	93-4510	2	Bushing-Caster
19	108-1924	2	Spacer-Idler	29	32120-84	2	Ring-Snap, External
20	117-9176	1	Idler Arm ASM	30	302-5	2	Fitting-Grease
20:2	93-4510	2	Bushing-Caster	31	110-9591	1	Belt-V
21	110-9592	1	Belt - V	32	3296-45	2	Nut-Lock, NI
22	107-4725	1	Pulley	40	325-14	1	Screw-HH
23	110-9596	1	Pulley-Idler	41	3218-5	2	Nut-Jam
24	110-6382	1	High Spindle ASM				



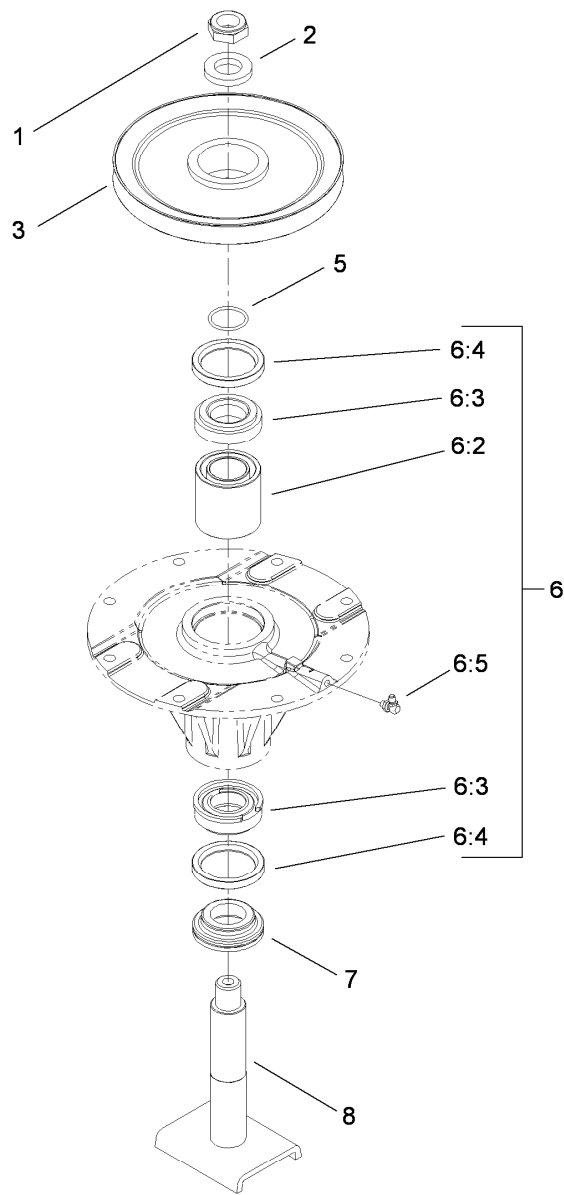
Deck Decal Assembly No. 108-9901

<i>Ref.</i>	<i>Part Number</i>	<i>Qty.</i>	<i>Description</i>
2	107-2916	1	Decal-Warning
3	100-6578	2	Decal-Danger
5	57-0280	1	Decal
6	93-7818	2	Decal-Torque, Blade Bolt
7	106-6753	1	Decal-Danger, Ce
8	107-2908	2	Decal-Danger, Combination
9	93-6696	3	Decal-Warning
11	110-0988	1	Tread-Floor, Side



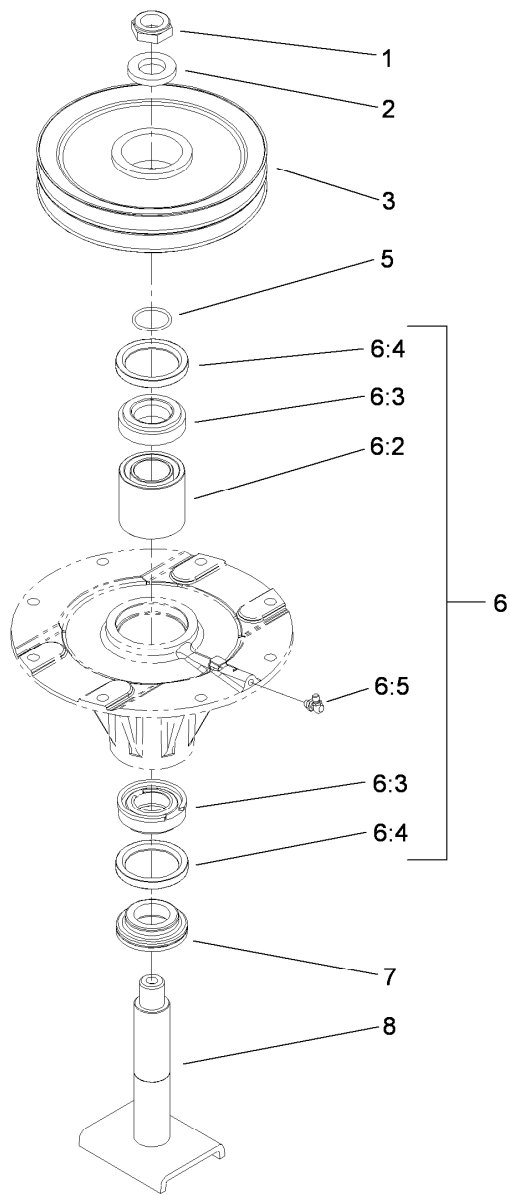
Spindle Assembly No. 108-1957

Ref.	Part Number	Qty.	Description
1	3296-60	1	Nut-Lock, NI
2	104-8322	1	Washer-Hardened
3	104-3546	1	Pulley-Driven, Low
5	106-7159	1	O-Ring
6	108-1991	1	Spindle Housing ASM
6:2	108-1954	1	Spacer Set-Bearing
6:3	110-8297	1	Bearing ASM
6:4	253-154	2	Seal-Oil
6:5	302-60	1	Fitting-Grease
7	69-6950	1	Spacer-Shaft, Spindle
8	108-1956	1	Shaft ASM



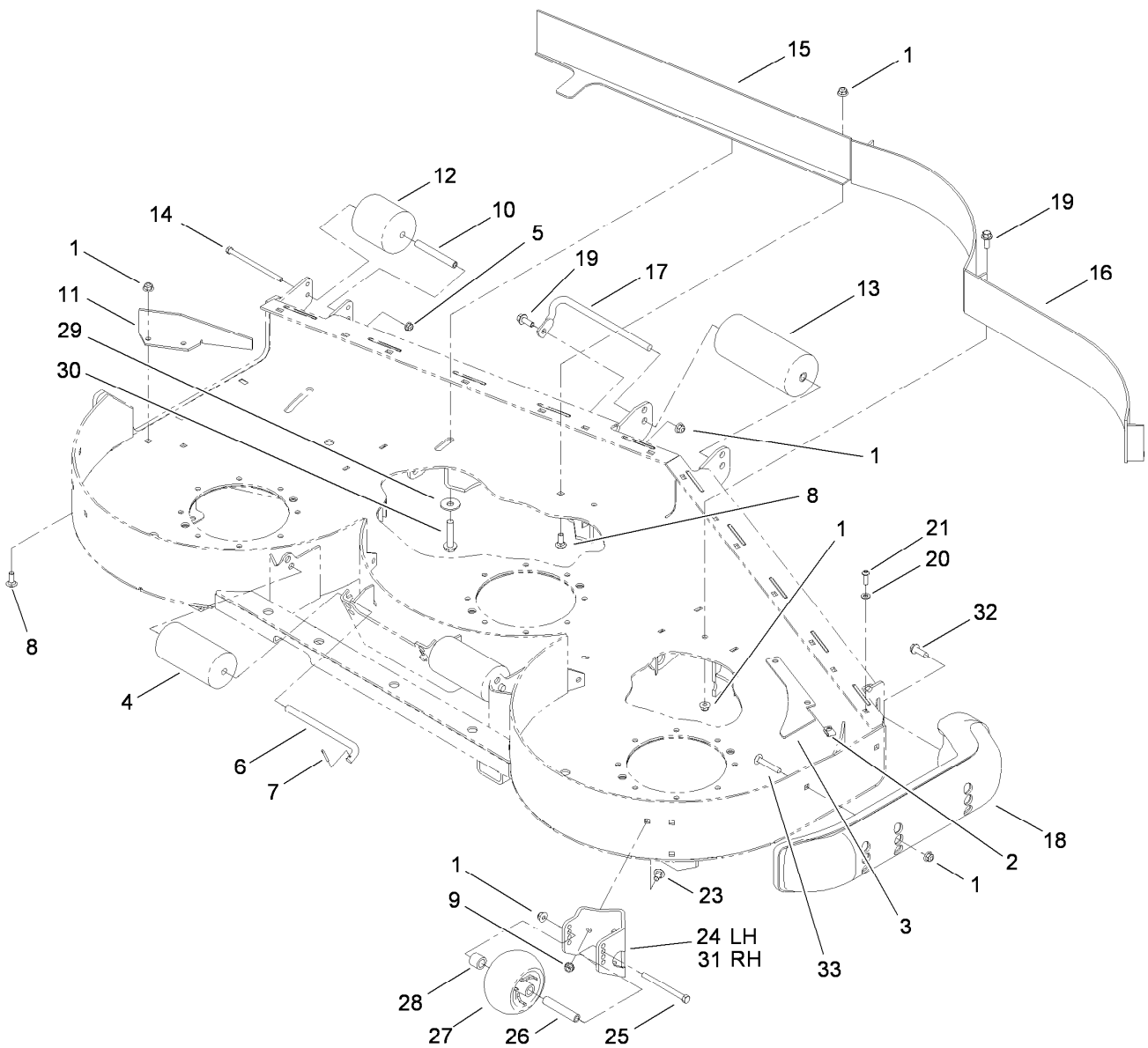
Spindle Assembly No. 110-6382

Ref.	Part Number	Qty.	Description
1	3296-60	1	Nut-Lock, NI
2	104-8322	1	Washer-Hardened
3	104-3548	1	Pulley-Driven, High
5	106-7159	1	O-Ring
6	108-1991	1	Spindle Housing ASM
6:2	108-1954	1	Spacer Set-Bearing
6:3	110-8297	1	Bearing ASM
6:4	253-154	2	Seal-Oil
6:5	302-60	1	Fitting-Grease
7	69-6950	1	Spacer-Shaft, Spindle
8	108-1956	1	Shaft ASM



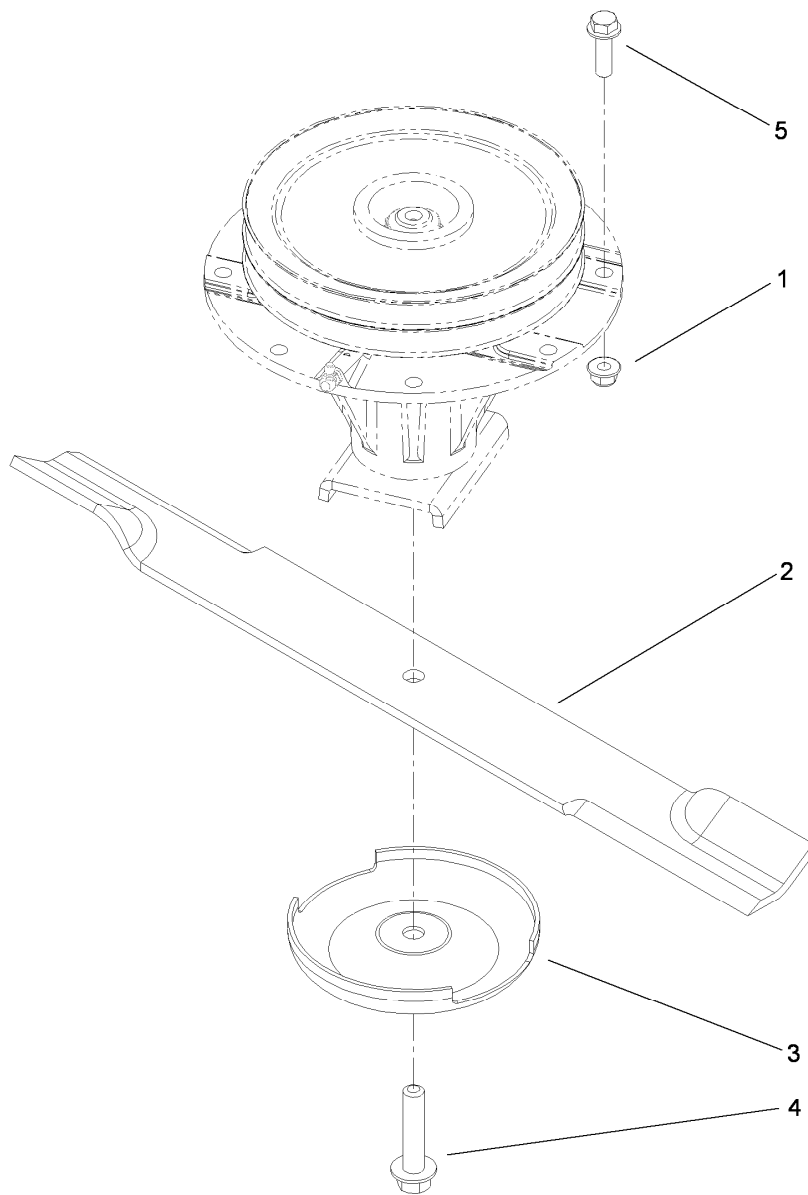
Spindle Assembly No. 110-6381

Ref.	Part Number	Qty.	Description
1	3296-60	1	Nut-Lock, NI
2	104-8322	1	Washer-Hardened
3	104-3547	1	Pulley-Driven, Double
5	106-7159	1	O-Ring
6	108-1991	1	Spindle Housing ASM
6:2	108-1954	1	Spacer Set-Bearing
6:3	110-8297	1	Bearing ASM
6:4	253-154	2	Seal-Oil
6:5	302-60	1	Fitting-Grease
7	69-6950	1	Spacer-Shaft, Spindle
8	108-1956	1	Shaft ASM



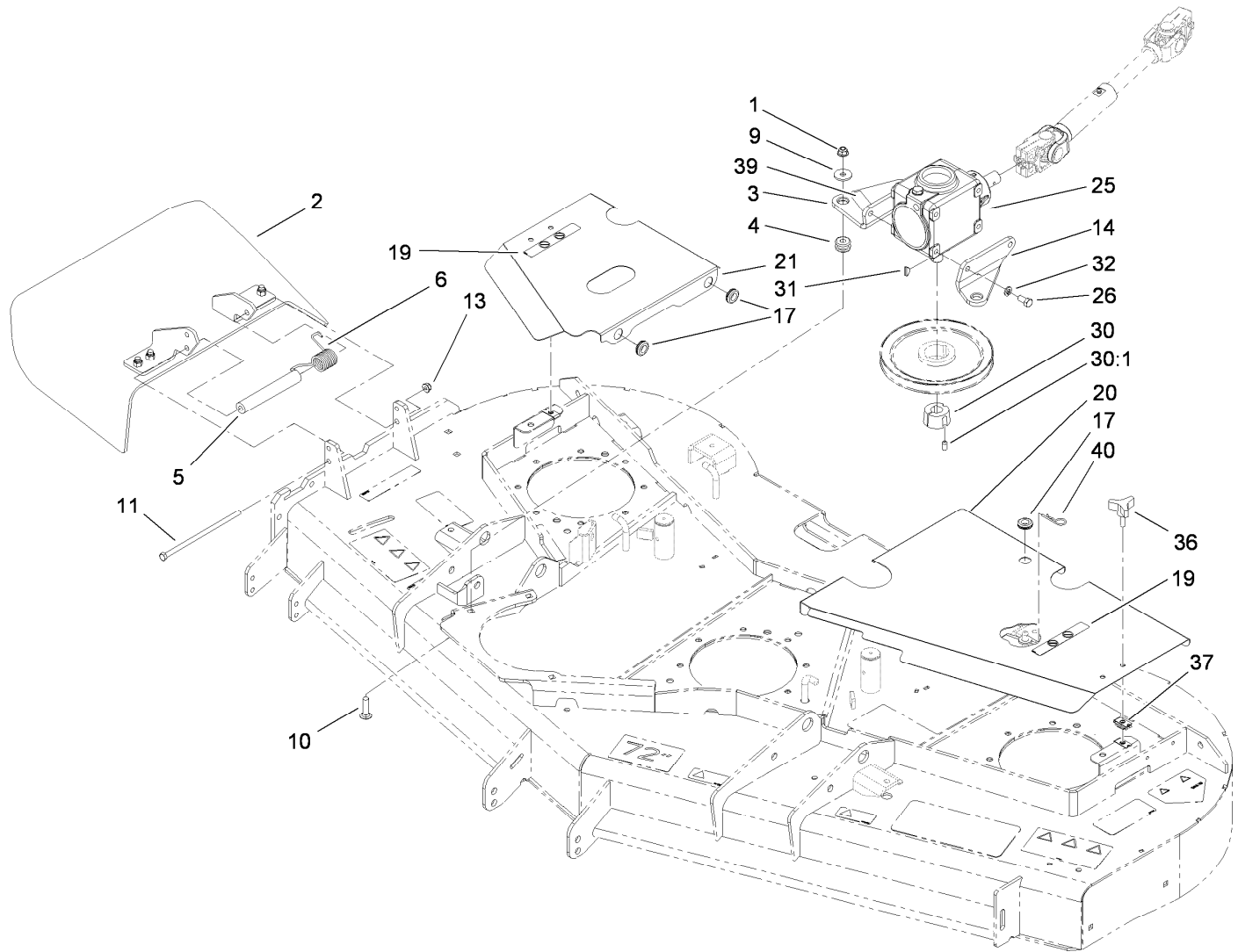
Roller and Baffle Assembly

<i>Ref.</i>	<i>Part Number</i>	<i>Qty.</i>	<i>Description</i>	<i>Ref.</i>	<i>Part Number</i>	<i>Qty.</i>	<i>Description</i>
1	104-8301	11	Nut-Flange, NI	17	68-6840	1	Shaft-Roller
2	112-3306	2	Nut	18	112-1479	1	Skid-Bumper, Deck
3	115-1396	1	Plate-Turbo	19	3234-42	4	Screw-HHF
4	36-1740	2	Roller-Deck	20	3256-23	2	Washer-Flat
5	104-8300	1	Nut-Flange, NI	21	3274-104	2	Screw-HSBH
6	40-0340	2	Shaft-Roller, Rear	23	3231-1	6	Screw-CARR
7	3272-11	2	Pin-Cotter	24	106-7354-01	1	Mount-Wheel, LH
8	3231-2	3	Screw-CARR	25	323-23	2	Screw-HH
9	3290-357	6	Nut-HHF, Whiz	26	98-7912	2	Tube-Spanner
10	105-4549	1	Spacer-Roller	27	1-603299	2	Roller-Scalp, Anti
11	106-3216-01	1	Baffle-Discharge	28	98-7913	2	Tube-Spacer
12	93-4803	1	Roller-Deck	29	105-7697	2	Washer-Plastic
13	68-6710	1	Roller	30	3234-46	2	Screw-HHF
14	322-49	1	Bolt-HH	31	106-7355-01	1	Mount-Wheel, RH
15	105-7669-01	1	Baffle ASM	32	9136144	1	Screw-HWHTF
16	105-7730-01	1	Baffle ASM	33	3231-33	2	Screw-CARR



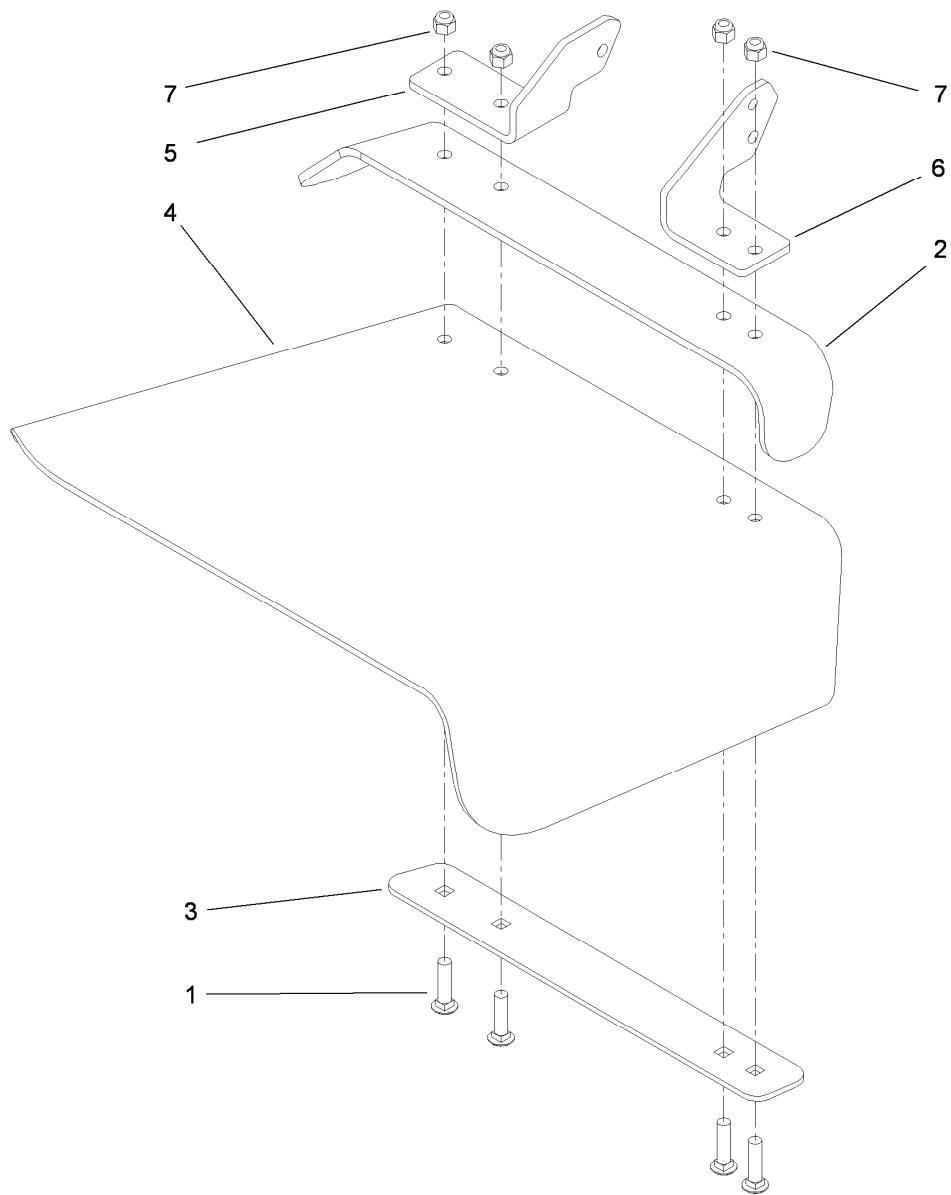
Spindle and Blade Assembly

<i>Ref.</i>	<i>Part Number</i>	<i>Qty.</i>	<i>Description</i>
1	104-8301	24	Nut-Flange, NI
2	110-0624-03	3	Blade-Rotary, Atomic (24.5)
2	110-0621-03	3	Blade-Rotary, Med. Flow (24.5)
3	72-9361	3	Cup-Scalp, Anti
4	92-5816	3	Bolt-Blade
5	3234-24	24	Screw-HHF



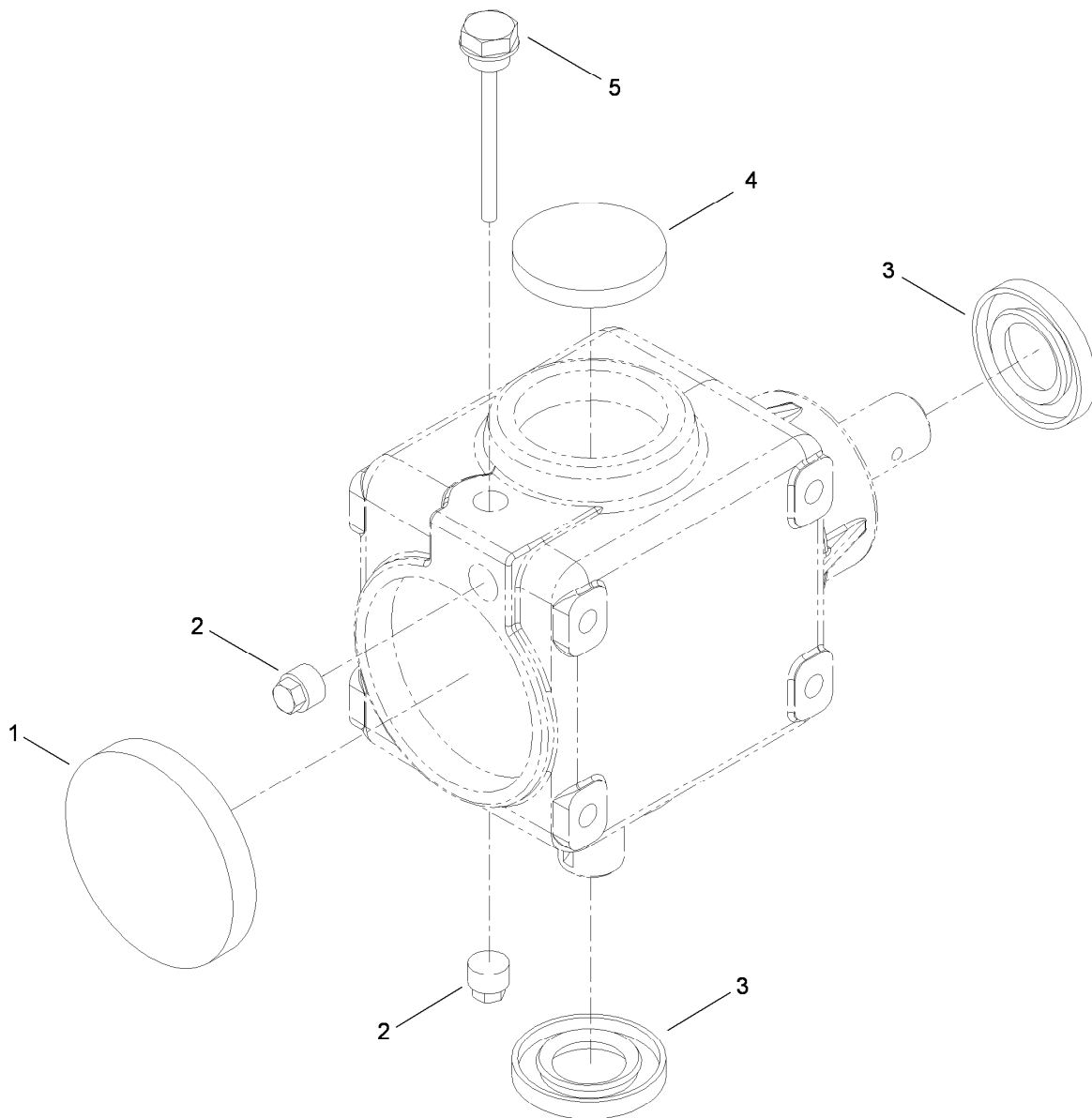
Belt Cover, Gearbox and Baffle Assembly

<i>Ref.</i>	<i>Part Number</i>	<i>Qty.</i>	<i>Description</i>	<i>Ref.</i>	<i>Part Number</i>	<i>Qty.</i>	<i>Description</i>
1	104-8301	3	Nut-Flange, NI	20	112-1455-03	1	Cover-Deck, LH
2	108-2792	1	Rubber Deflector ASM	21	112-1456-03	1	Cover-Deck, RH
3	110-6385-03	1	Bracket-Gearbox, RH	25	110-6386-03	1	Gearbox ASM
4	63-9750	3	Mount	26	323-4	4	Screw-HH
5	105-4622	1	Spacer	30	23-1640	1	Bushing-Taperlock
6	108-4052	1	Spring-Torsion	30:1	3247-4	2	Screw-Set
9	63-8410	3	Washer	31	3257-5	1	Key-Woodruff
10	3231-26	3	Screw-CARR	32	3253-21	4	Washer-Lock
11	112-9557	1	Screw-HH	36	106-2240	2	Knob
13	104-8300	1	Nut-Flange, NI	37	110-3510	2	Nut-Retainer
14	110-6384-03	1	Bracket-Gearbox, LH	39	93-6697	1	Decal-Lube
17	112-9559	4	Grommet	40	9335054	1	Pin-Hair
19	93-6687	2	Decal-No Step				



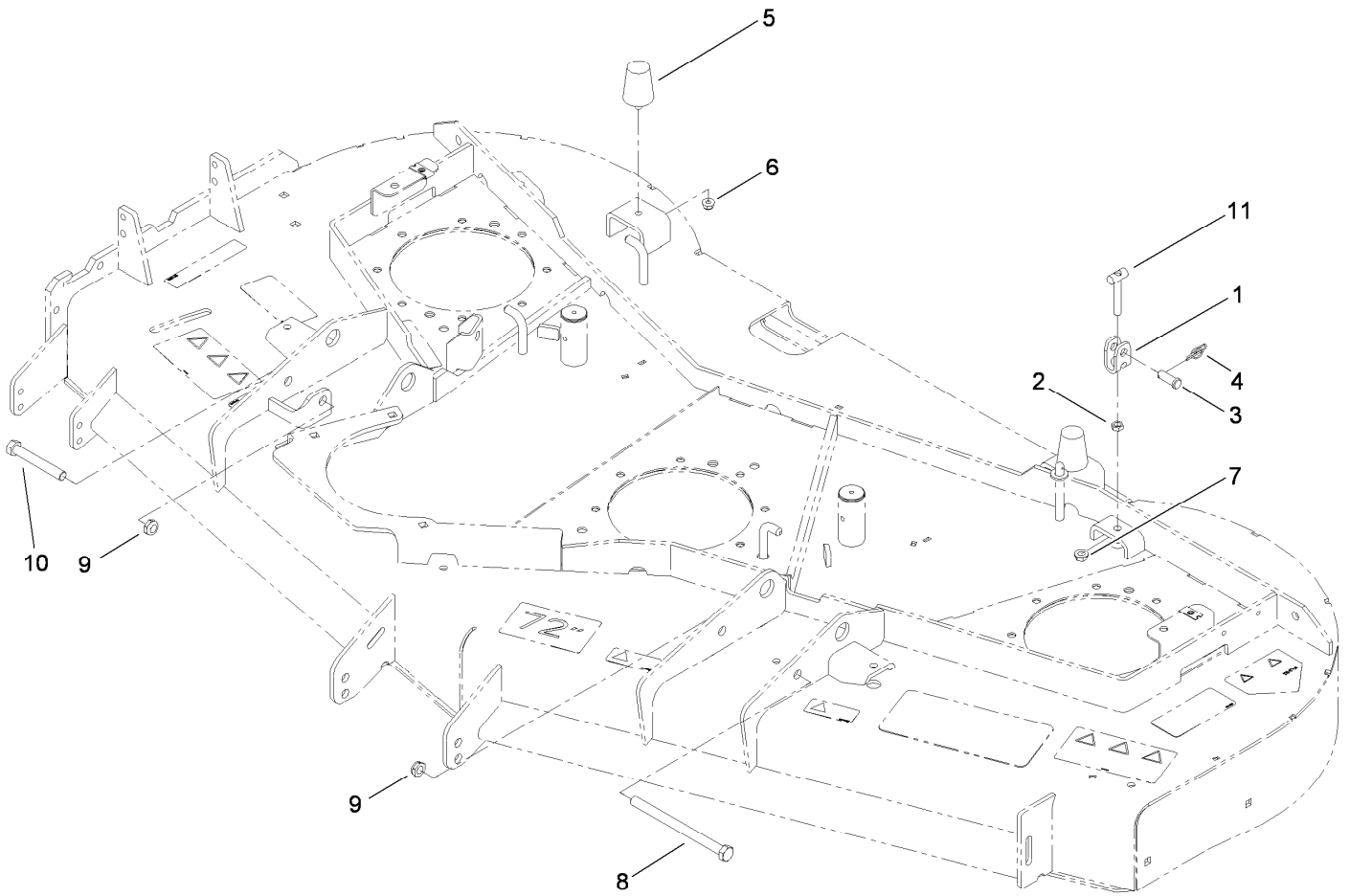
Rubber Deflector Assembly No. 108-2792

<i>Ref.</i>	<i>Part Number</i>	<i>Qty.</i>	<i>Description</i>
1	3231-4	4	Screw-CARR
2	106-3246-01	1	Deflector
3	106-3248-03	1	Strap-Discharge
4	108-5029	1	Deflector-Rubber
5	108-4059-01	1	Plate-Hinge, Rear
6	106-3253-01	1	Plate-Hinge, Front
7	104-8301	4	Nut-Flange, NI



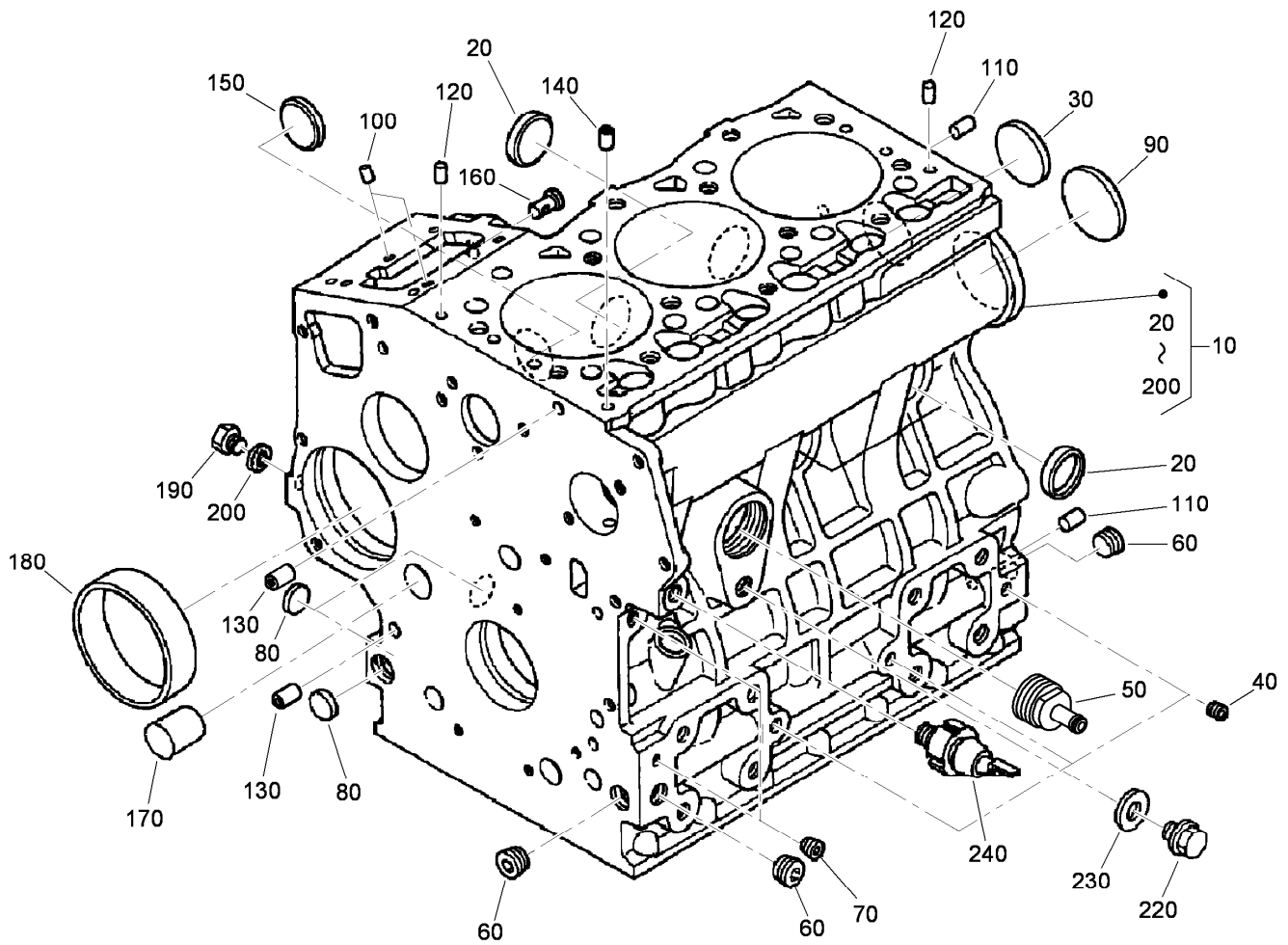
Gearbox Assembly No. 110-6386-03

<i>Ref.</i>	<i>Part Number</i>	<i>Qty.</i>	<i>Description</i>
1	107-2932	1	Cap-Oil
2	107-2933	2	Plug
3	107-2934	2	Seal-Oil
4	107-2935	1	Cap-Oil
5	110-8283	1	Plug-Filler, Dipstick



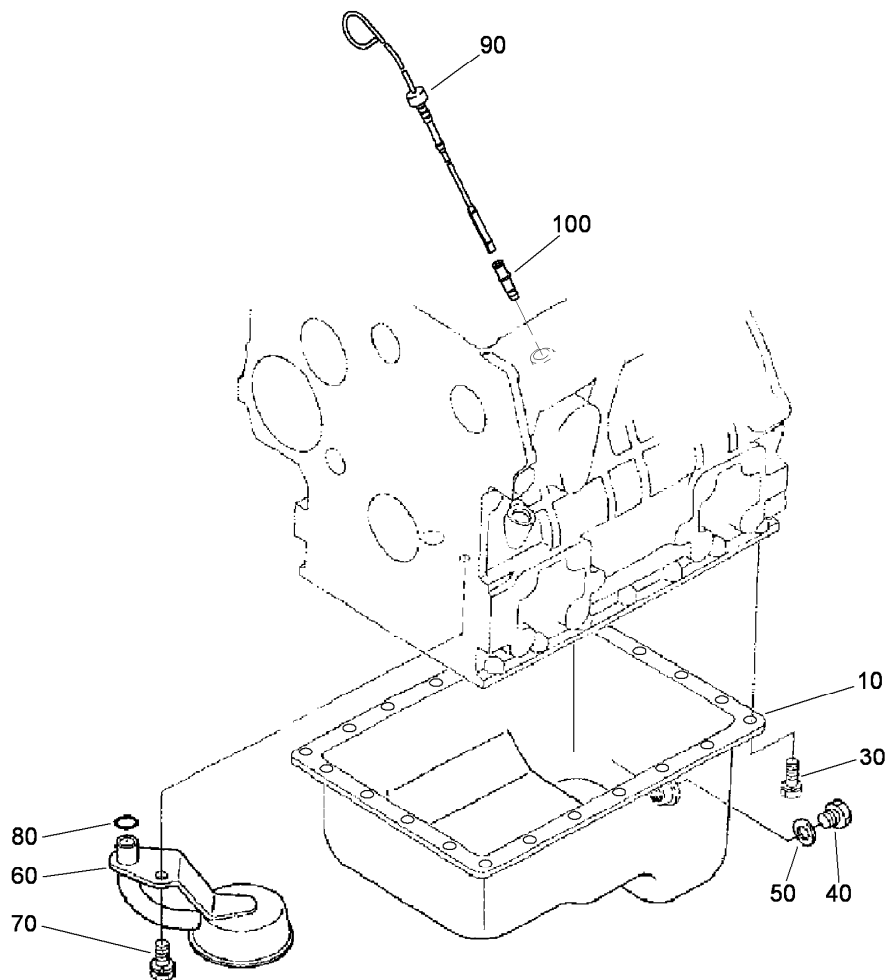
Adjustment Link and Bumper Assembly

<i>Ref.</i>	<i>Part Number</i>	<i>Qty.</i>	<i>Description</i>
1	115-1429	4	Yoke-Clevis
2	3218-3	4	Nut-Jam
3	700601	4	Pin-Clevis
4	112-1491	4	Pin-Cotter, Rue Ring
5	110-5070	2	Bumper-Neoprene
6	104-8300	2	Nut-Flange, NI
7	3290-357	4	Nut-HHF, Whiz
8	325-23	1	Screw-HH
9	3296-45	2	Nut-Lock, NI
10	325-14	1	Screw-HH
11	115-1431	4	T-Bar ASM



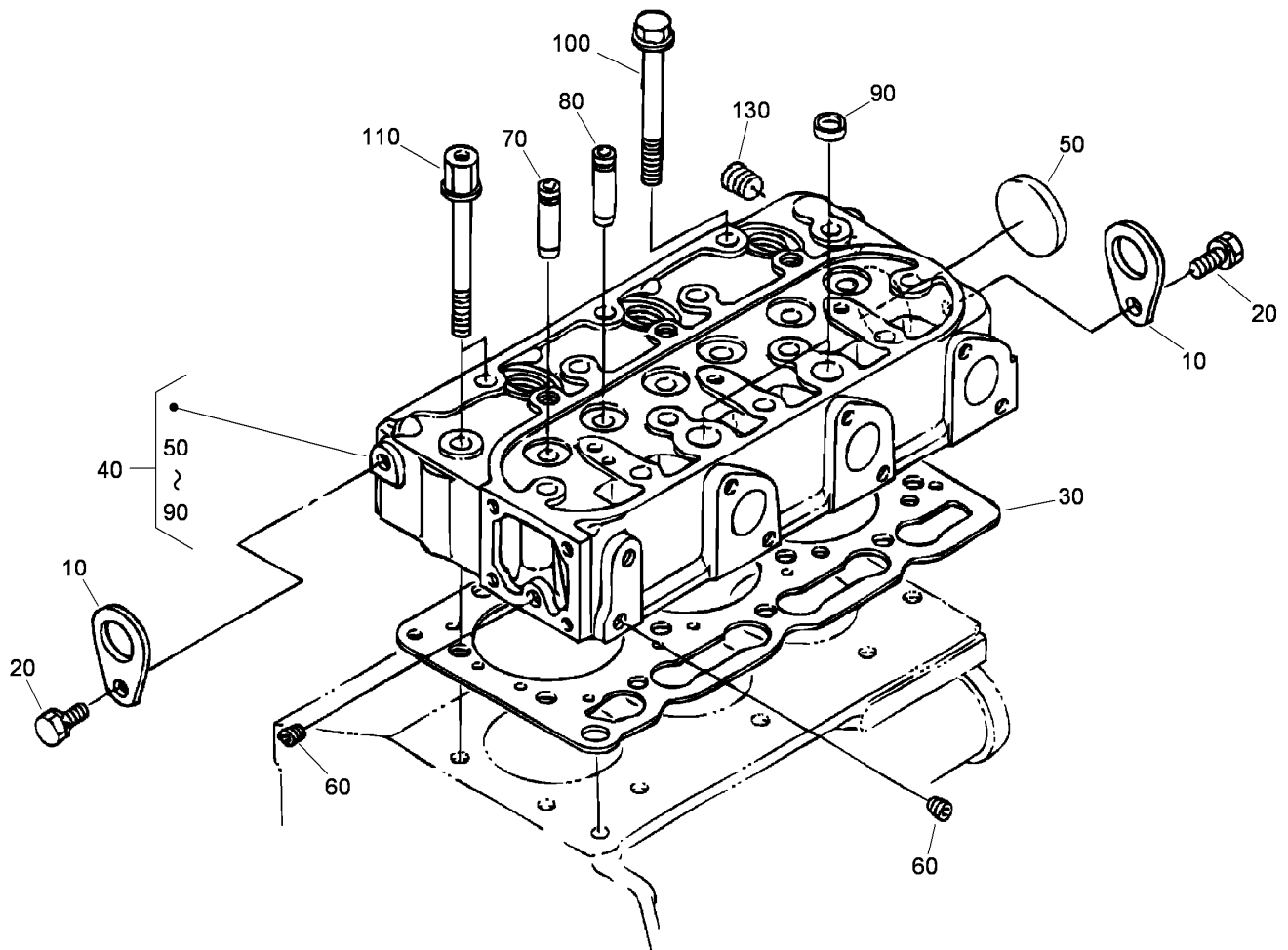
Crankcase Assembly

<i>Ref.</i>	<i>Part Number</i>	<i>Qty.</i>	<i>Description</i>
10	112-7043	1	Crankcase ASM
20	98-9398	4	Cap-Sealing
30	98-7539	1	Cap-Sealing
40	98-7540	3	Plug
50	99-8347	1	Joint-Pipe, Drain
60	98-9597	3	Plug
70	98-7487	2	Plug
80	98-9379	3	Plug-Expansion
90	98-9668	1	Plug-Expansion
100	98-9375	2	Pin-Straight
110	98-9377	2	Pin-Straight
120	98-9376	2	Pin-Straight
130	98-9387	2	Pin-Pipe
140	98-9539	1	Pin-Pipe
150	98-9599	1	Plug
160	98-9630	1	Pin-Spring, Start
170	98-9675	1	Plug
180	98-9656	1	Bushing-Governor, Gear
190	98-7507	1	Plug
200	98-7428	1	Gasket
220	99-3447	1	Plug
230	106-7056	1	Gasket
240	98-9416	1	Switch-Oil



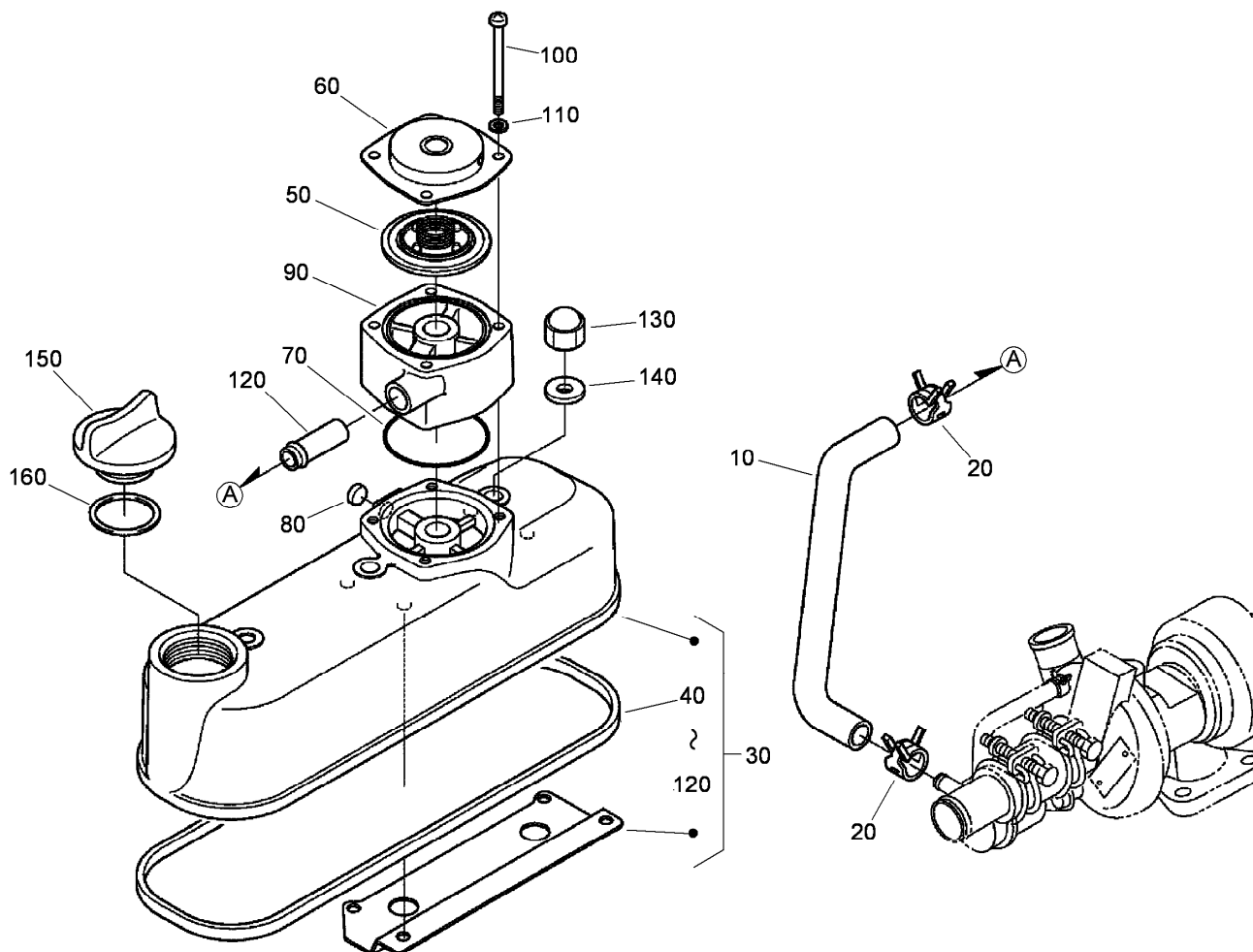
Oil Pan Assembly

<i>Ref.</i>	<i>Part Number</i>	<i>Qty.</i>	<i>Description</i>
10	112-0179	1	Pan-Oil
30	98-9351	22	Bolt
40	114-8151	1	Plug-Drain
50	98-7524	1	Gasket
60	112-7044	1	Head-Filter
70	98-7526	1	Bolt
80	105-3776	1	O-Ring
90	107-9076	1	Gauge-Oil
100	105-4580	1	Guide-Gauge, Oil



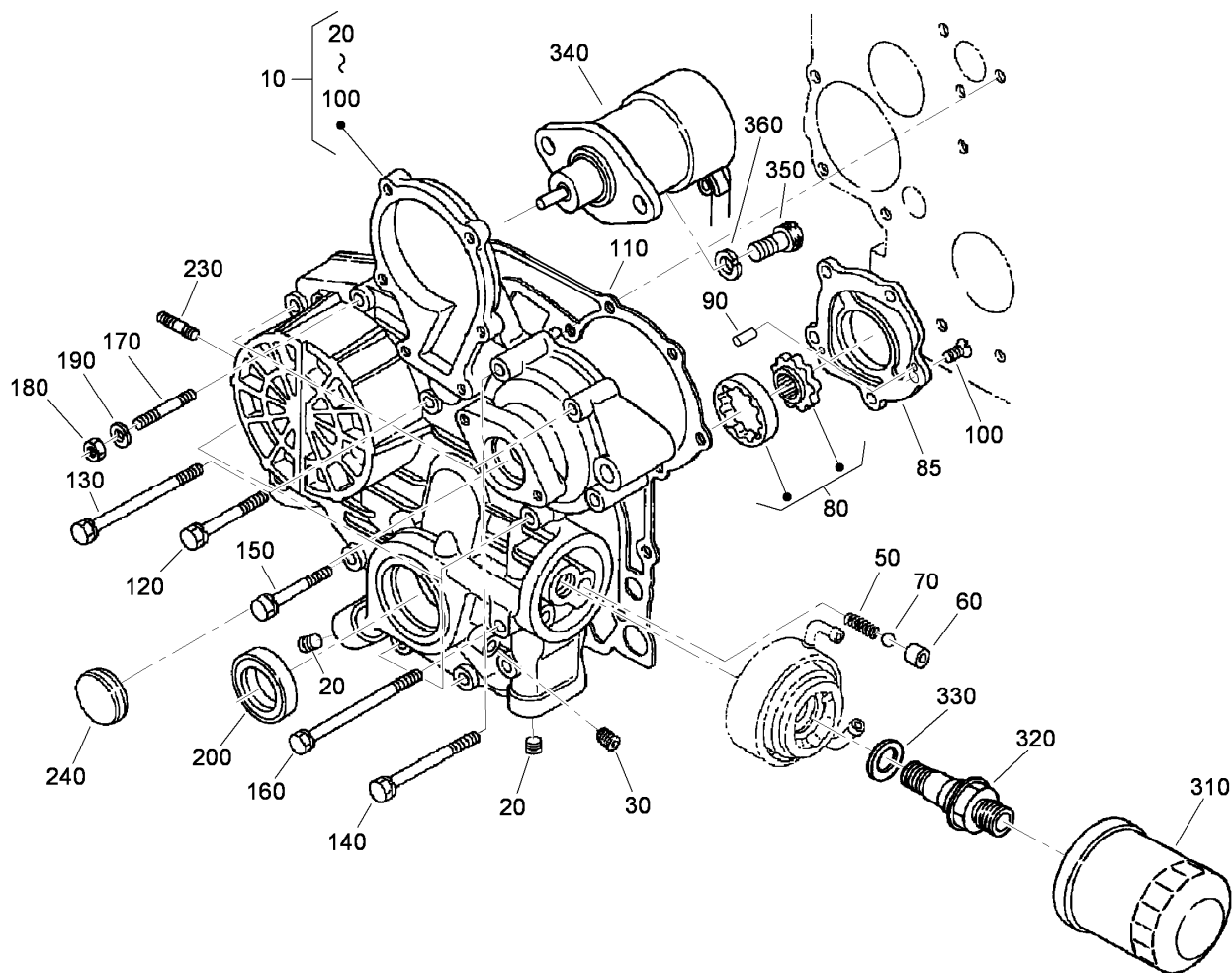
Cylinder Head Assembly

<i>Ref.</i>	<i>Part Number</i>	<i>Qty.</i>	<i>Description</i>
10	98-7531	2	Hook-Engine
20	100-9195	2	Bolt
30	108-6573	1	Gasket-Head, Cylinder
40	107-7823	1	Cylinder Head ASM
50	105-3705	1	Cap-Sealing
60	98-7540	2	Plug
70	107-9066	3	Guide-Valve, Inlet
80	107-9067	3	Guide-Valve, Exhaust
90	98-9389	2	Cap-Sealing
100	98-9479	12	Bolt-Head, Cylinder
110	98-9647	2	Bolt-Head, Cylinder
130	98-9444	1	Plug



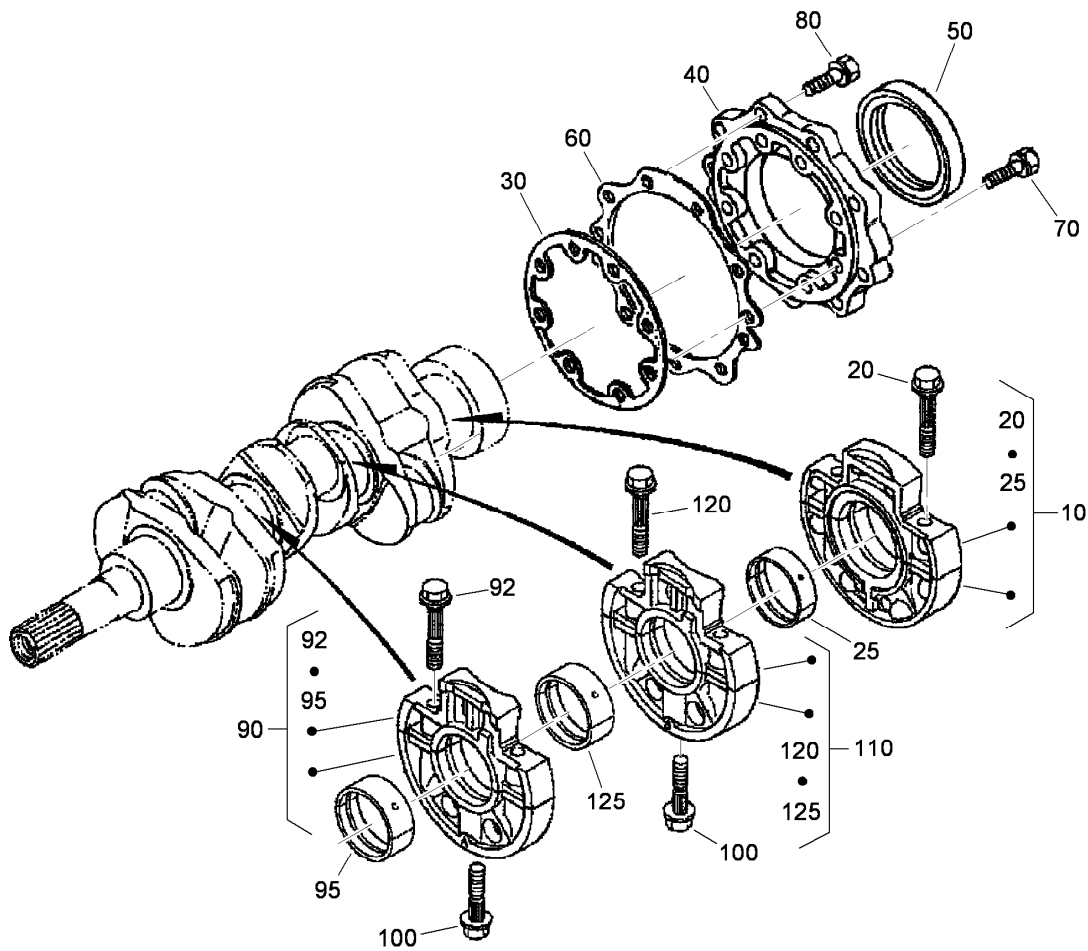
Head Cover Assembly

<i>Ref.</i>	<i>Part Number</i>	<i>Qty.</i>	<i>Description</i>
10	115-3040	1	Tube-Breather
20	108-2859	2	Clamp-Hose
30	115-3041	1	Cylinder Head Cover ASM
40	98-9615	1	Gasket-Cover, Head
50	108-2861	1	Breather Valve ASM
60	110-3714	1	Cover-Breather
70	110-3846	1	O Ring-Breather
80	115-3042	1	Cap-Sealing
90	115-3043	1	Spacer-Breather
100	115-3044	4	Screw-Pan Head
110	100-2204	4	Washer-Spring
120	98-7766	1	Pipe-Return, Water
130	98-9455	3	Nut-Cap
140	98-9454	3	Gasket
150	107-9075	1	Plug-Filler, Oil
160	99-3446	1	O-Ring



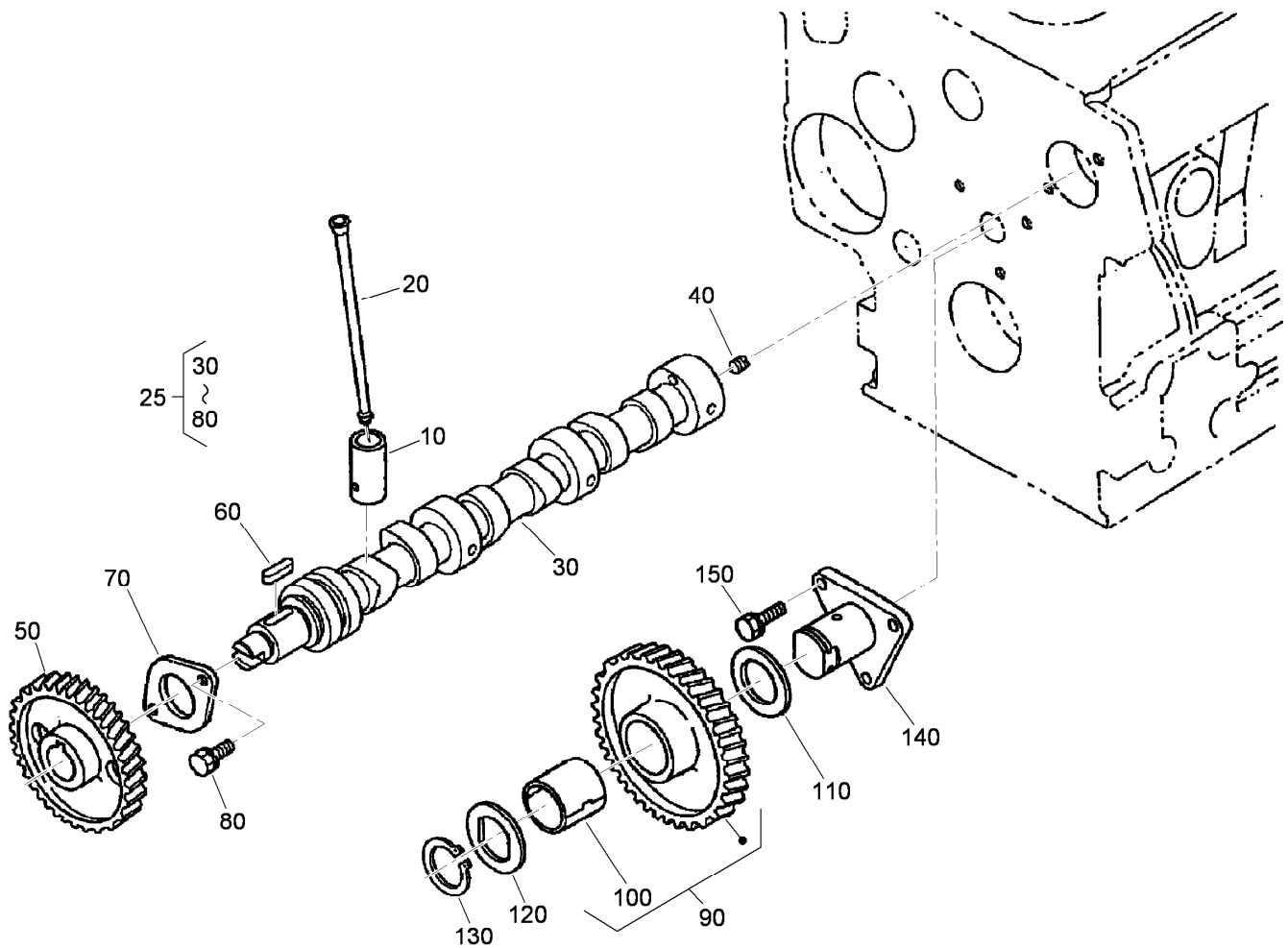
Gear Case Assembly

<i>Ref.</i>	<i>Part Number</i>	<i>Qty.</i>	<i>Description</i>	<i>Ref.</i>	<i>Part Number</i>	<i>Qty.</i>	<i>Description</i>
10	115-4111	1	Gear Case ASM	150	107-9074	1	Bolt
20	98-9598	2	Plug	160	98-9586	2	Bolt
30	98-7487	1	Plug	170	105-3709	1	Stud
50	98-9544	1	Spring	180	98-7572	1	Nut
60	98-9543	1	Seat-Valve	190	98-7699	1	Washer-Spring
70	98-9380	1	Ball	200	98-9482	1	Seal-Oil
80	98-9540	1	Oil Pump Rotor ASM	230	105-3710	2	Stud
85	107-9069	1	Cover-Pump, Oil	240	98-9641	1	Cover-Case, Gear
90	107-9072	2	Pin-Straight	310	108-3841	1	Filter-Oil
100	107-9071	5	Screw	320	104-5159	1	Holder ASM
110	98-9633	1	Gasket-Case, Gear	330	98-9727	1	Collar
120	98-7496	3	Bolt	340	104-5155	1	Solenoid-Stop
130	105-3797	4	Bolt	350	115-3039	2	Bolt-HSH
140	98-9356	4	Bolt	360	98-7699	2	Washer-Spring



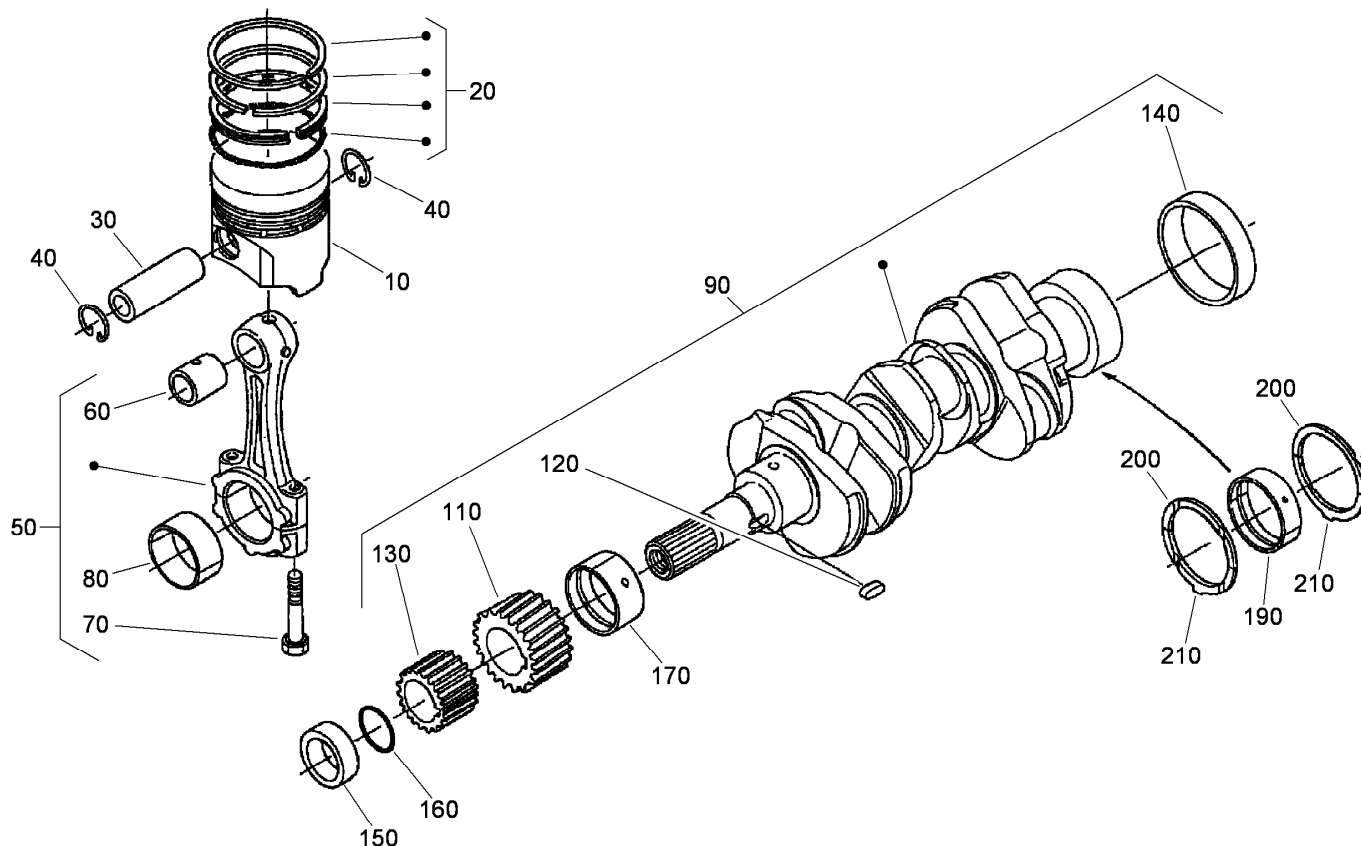
Main Bearing Case Assembly

Ref.	Part Number	Qty.	Description
10	112-7026	1	Wheel Bearing Case ASM
20	98-9484	2	Bolt-Case, Bearing
25	112-7045	1	Metal-Crankshaft
25	112-7039	1	Metal-Crankshaft
25	112-7040	1	Metal-Crankshaft
30	98-9634	1	Gasket-Case, Bearing
40	112-7046	1	Cover-Case, Bearing
50	112-0180	1	Seal-Oil
60	112-7037	1	Gasket-Cover, Case
70	98-9352	8	Bolt
80	98-7568	9	Bolt
90	112-7028	1	Bearing ASM
92	98-9484	2	Bolt-Case, Bearing
95	112-7011	1	Bearing-Main (STD)
95	112-7012	1	Metal-Crankpin (-0.2Mm)
95	112-7013	1	Metal-Crankpin (-0.4Mm)
100	98-9485	2	Bolt-Case, Bearing
110	112-7027	1	Bearing ASM
120	98-9484	2	Bolt-Case, Bearing
125	112-7011	1	Bearing-Main (STD)
125	112-7012	1	Metal-Crankpin (-0.2Mm)
125	112-7013	1	Metal-Crankpin (-0.4Mm)



Camshaft and Idle Gear Shaft Assembly

<i>Ref.</i>	<i>Part Number</i>	<i>Qty.</i>	<i>Description</i>
10	112-0185	6	Tappet
20	98-9509	6	Rod-Push
25	112-7029	1	Camshaft ASM
30	108-1403	1	Camshaft
40	98-7449	1	Screw-Set
50	98-9512	1	Gear-Cam
60	98-9378	1	Key-Feather
70	98-9510	1	Stopper-Camshaft
80	98-7692	2	Bolt
90	98-9649	1	Idle Gear ASM
100	98-9650	1	Bushing-Gear, Idle
110	98-9535	1	Collar-Gear, Idle
120	98-9536	1	Collar-Gear, Idle
130	98-9534	1	Circlip-Gear, Idle
140	98-9533	1	Shaft-Gear, Idle
150	98-7692	3	Bolt

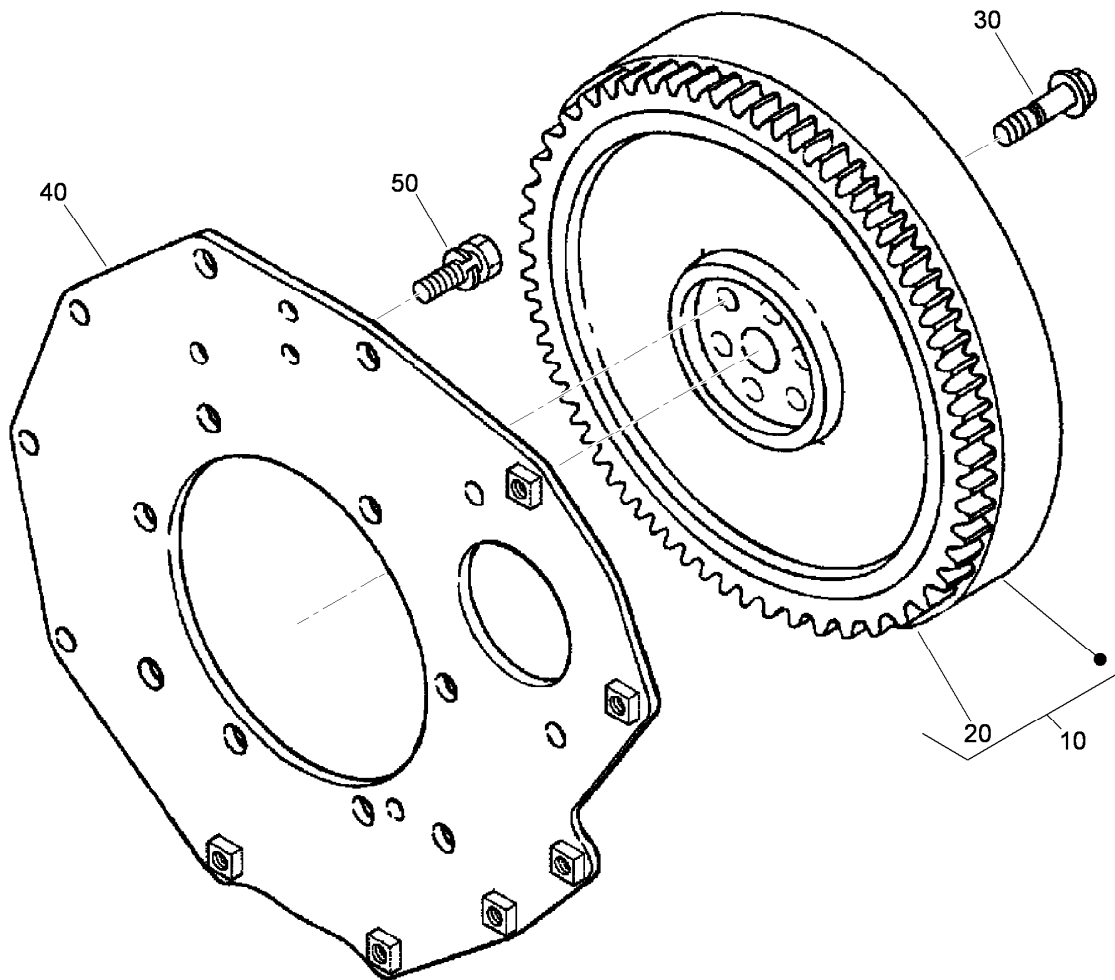


Piston and Crankshaft Assembly

Ref.	Part Number	Qty.	Description
10	98-9550	3	Piston (STD)
10	108-1417	3	Piston (0.5Mm)
20	98-9551	3	Piston Ring ASM (STD)
20	108-1404	3	Piston Ring ASM (0.5Mm)
30	98-9513	3	Pin-Piston
40	98-9514	6	Circlip-Pin, Piston
50	98-9552	3	Connecting Rod ASM
60	115-3014	3	Bushing-Pin, Piston
70	98-9517	6	Bolt-Rod, Connecting
80	98-9553	3	Bearing-Rod (STD)
80	108-1405	3	Metal-Crankpin (-0.2Mm)
80	108-1406	3	Metal-Crankpin (-0.4Mm)
90	98-9642	1	Crankshaft ASM
100	110-3729	3	Ball ●
110	98-9532	1	Gear-Crankshaft
120	98-9666	1	Key
130	98-9542	1	Gear-Drive, Oil Pump
140	98-9522	1	Sleeve-Crankshaft

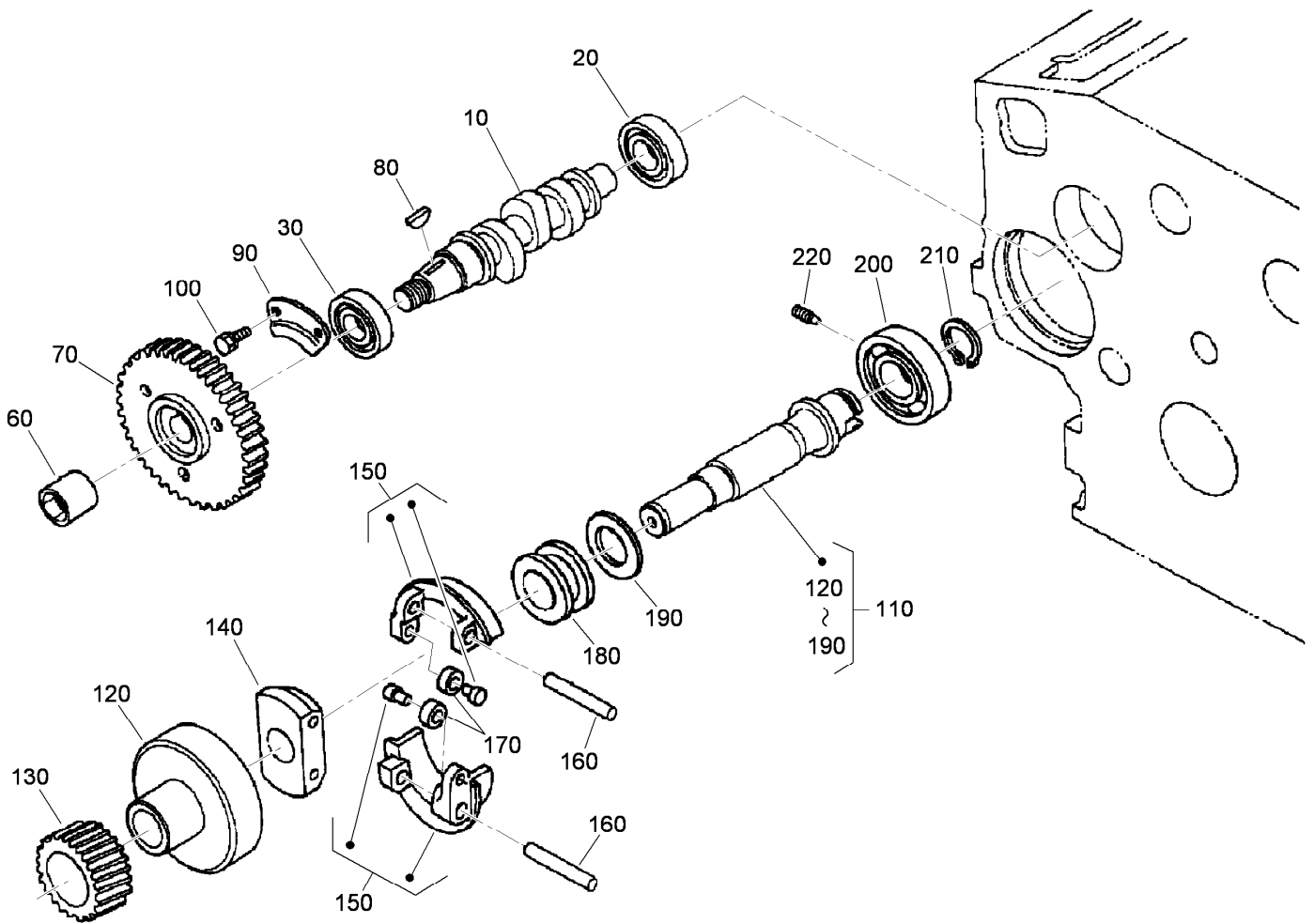
Ref.	Part Number	Qty.	Description
150	98-9521	1	Collar-Crankshaft
160	105-3783	1	O-Ring
170	112-7005	1	Bearing-Main (STD)
170	112-7009	1	Metal-Crankpin (-0.2Mm)
170	112-7010	1	Metal-Crankpin (-0.4Mm)
180	112-7011	2	Bearing-Main (STD) ●
180	112-7012	2	Metal-Crankpin (-0.2Mm) ●
180	112-7013	2	Metal-Crankpin (-0.4Mm) ●
190	112-7045	1	Metal-Crankshaft
190	112-7039	1	Metal-Crankshaft
190	112-7040	1	Metal-Crankshaft
200	98-9413	2	Bearing-Thrust (STD)
200	98-9414	2	Bearing-Thrust (0.2Mm)
200	98-9415	2	Bearing-Thrust (0.4Mm)
210	98-9688	2	Bearing-Thrust (STD)
210	98-9689	2	Bearing-Thrust (0.2Mm)
210	98-9690	2	Bearing-Thrust (0.4Mm)

● Not illustrated



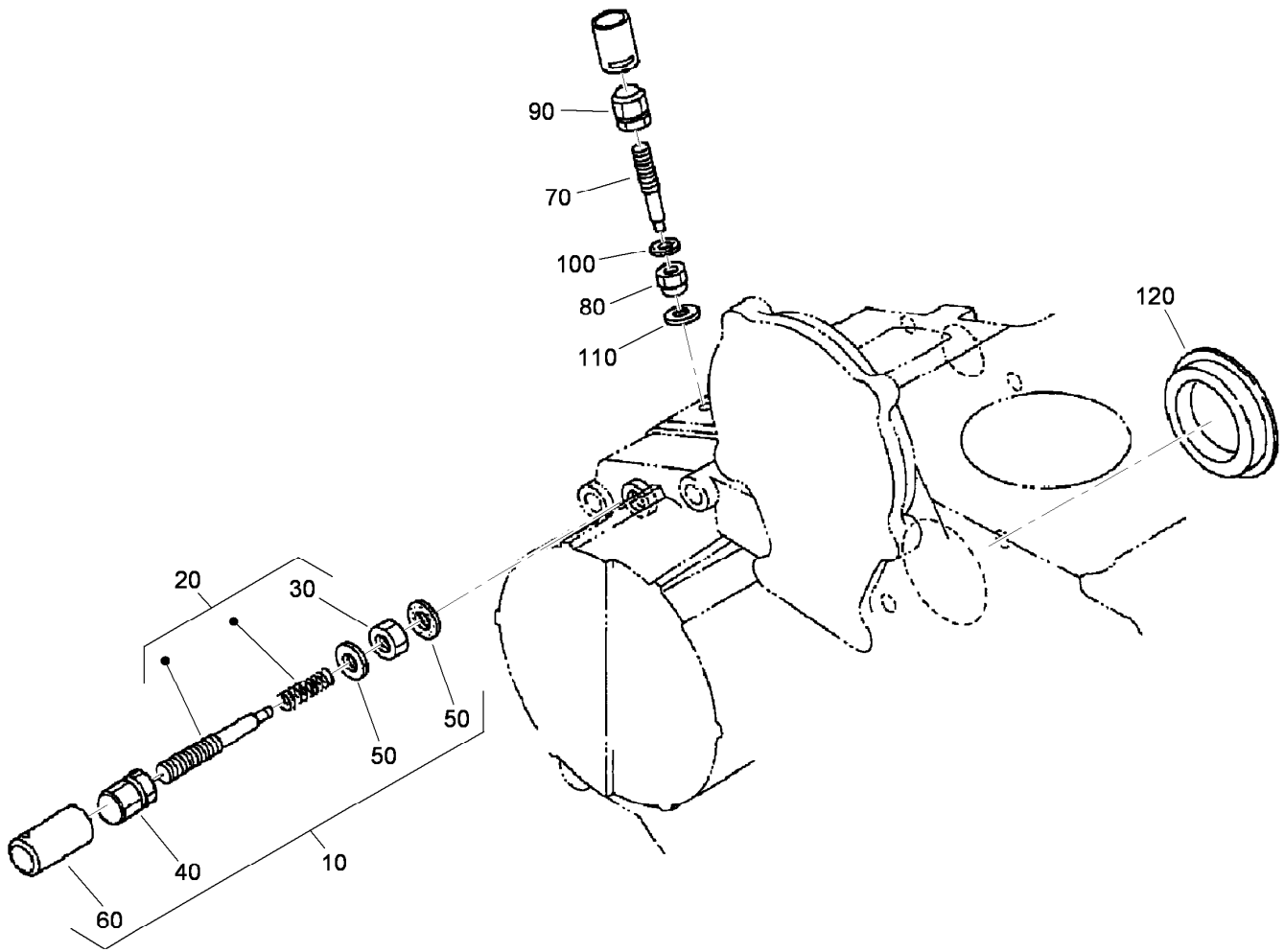
Flywheel Assembly

<i>Ref.</i>	<i>Part Number</i>	<i>Qty.</i>	<i>Description</i>
10	105-3784	1	Flywheel ASM
20	115-3015	1	Gear-Ring
30	98-9537	6	Bolt-Flywheel
40	98-9486	1	Plate-End, Rear
50	98-9392	8	Bolt



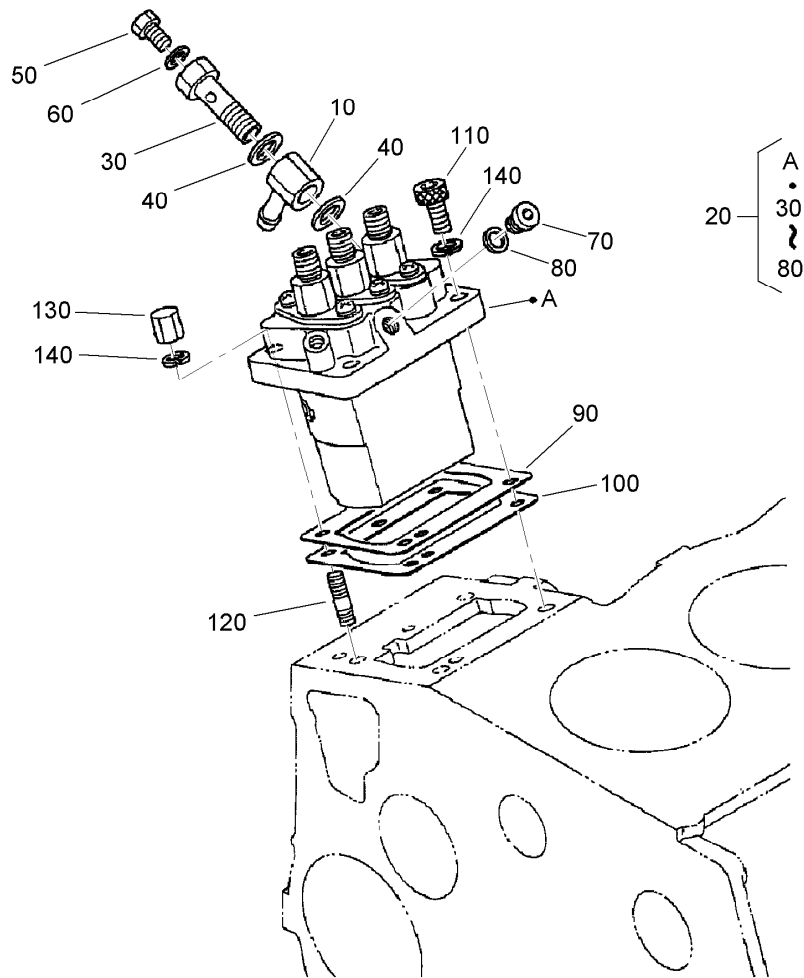
Fuel Camshaft and Governor Shaft Assembly

<i>Ref.</i>	<i>Part Number</i>	<i>Qty.</i>	<i>Description</i>
10	98-9459	1	Camshaft-Fuel
20	107-9077	1	Bearing-Ball
30	107-9078	1	Bearing-Ball
60	98-9590	1	Nut-Cap
70	98-9669	1	Gear-Pump, Injection
80	98-9595	1	Key-Woodruff
90	98-9511	1	Stopper-Fuel, Camshaft
100	98-7692	2	Bolt
110	98-9644	1	Governor Shaft ASM
120	98-9562	1	Holder-Gear, Governor
130	98-9673	1	Gear-Governor
140	98-9561	1	Holder-Weight, Governor
150	98-9559	2	Governor Weight ASM
160	98-9560	2	Shaft-Weight, Governor
170	98-9692	2	Roller
180	98-9563	1	Sleeve-Governor
190	98-9564	1	Washer-Thrust
200	107-9079	1	Bearing-Ball
210	98-9657	1	Circlip-Shaft, Governor
220	98-9565	1	Screw-Set



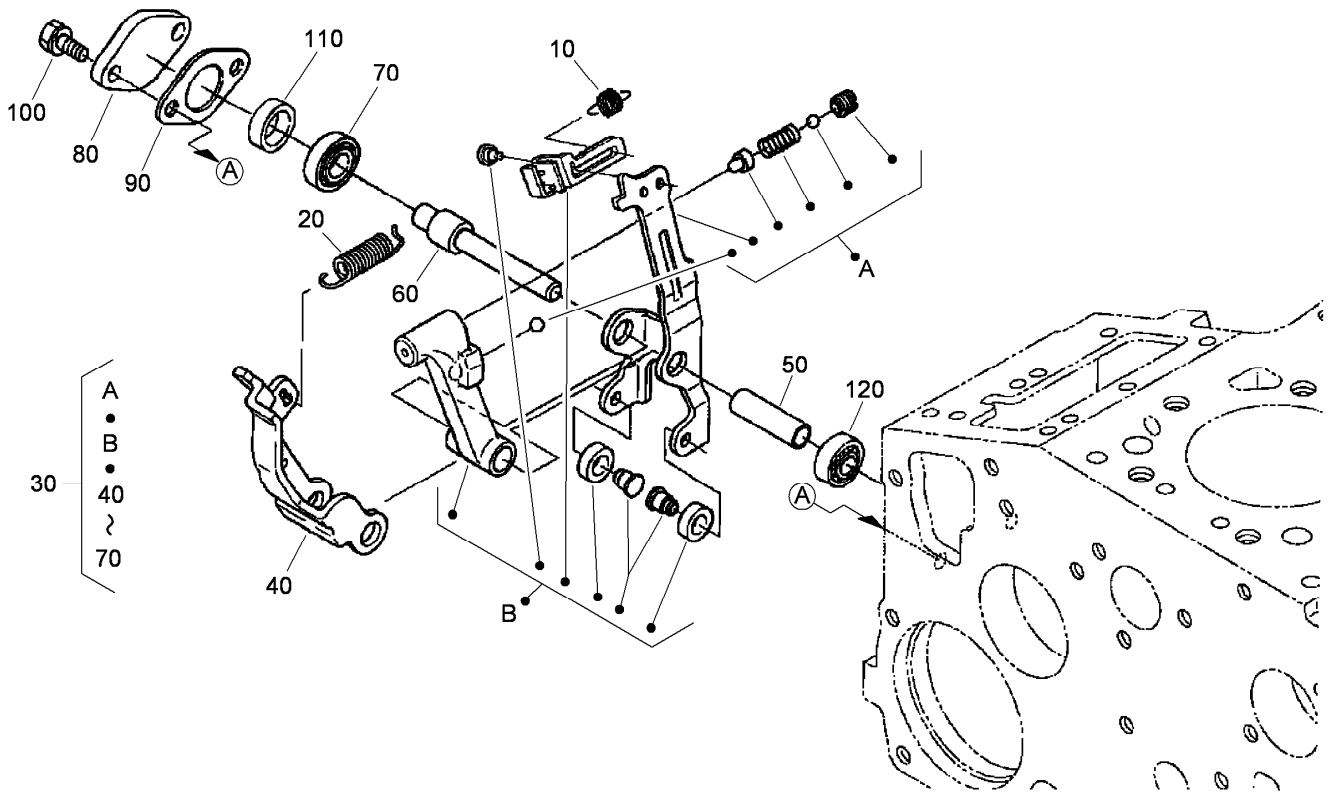
Idle Apparatus Assembly

<i>Ref.</i>	<i>Part Number</i>	<i>Qty.</i>	<i>Description</i>
10	98-9678	1	Idle Apparatus ASM
20	112-7014	1	Adjusting Bolt ASM
30	99-8387	1	Nut-Cap
40	112-0181	1	Nut
50	98-7654	2	Gasket
60	98-7656	1	Cap
70	112-7015	1	Bolt-Adjusting
80	100-2175	1	Nut-Lock
90	112-0181	1	Nut
100	98-7654	1	Gasket
110	107-9081	1	Gasket
120	112-7016	1	Cover-Pump



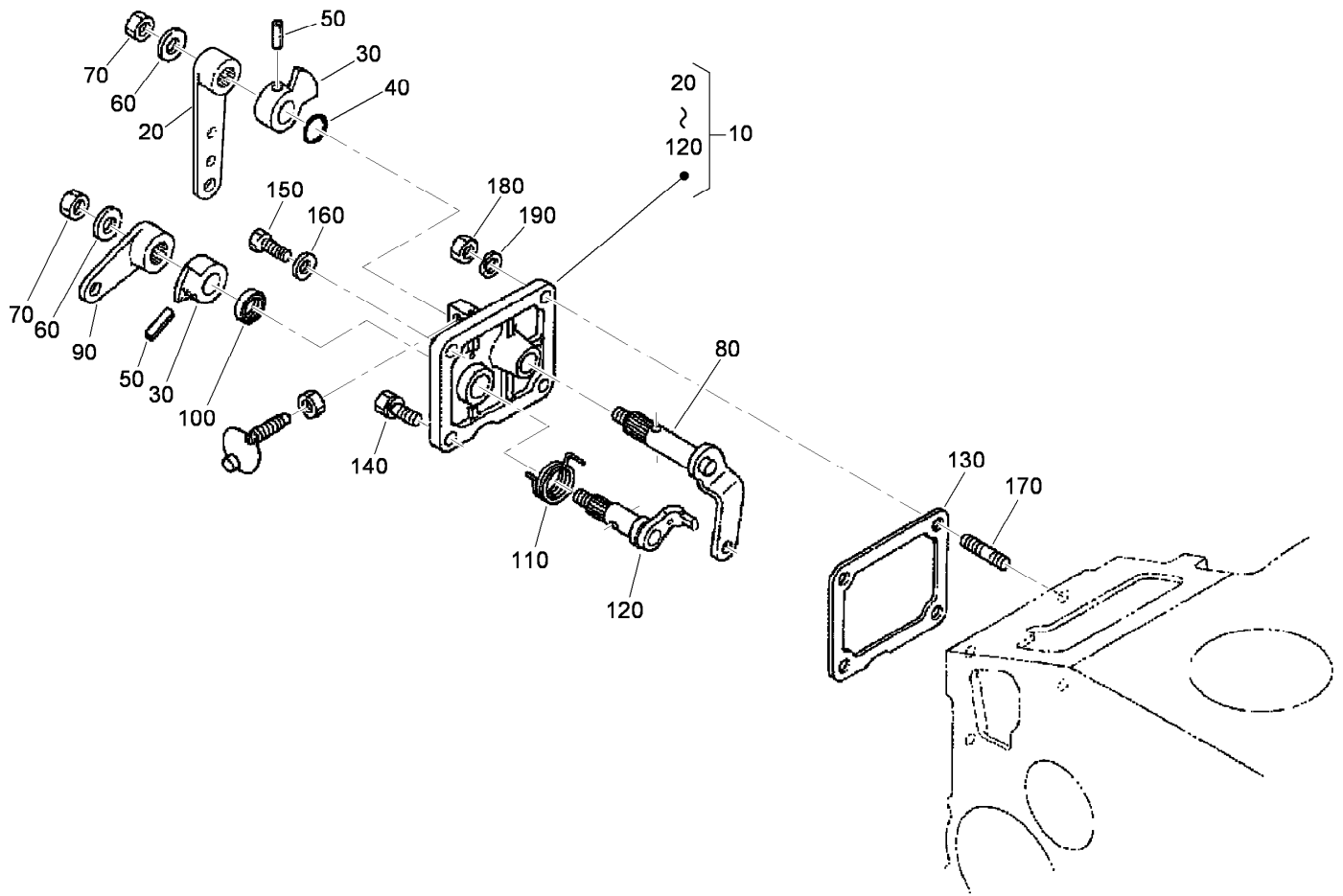
Injection Pump Assembly

<i>Ref.</i>	<i>Part Number</i>	<i>Qty.</i>	<i>Description</i>
10	98-9596	1	Joint-Eye
20	98-9643	1	Injection Pump ASM
30	98-9464	1	Bolt-Joint
40	98-9445	2	Gasket
50	98-9430	1	Screw
60	98-9446	1	Gasket
70	98-9466	1	Plug
80	98-9451	1	Gasket
90	98-9457	1	Shim-Injection (0.25Mm)
90	98-9456	1	Shim-Injection (0.20Mm)
100	98-9458	1	Shim-Injection (0.30Mm)
110	98-9361	2	Bolt-HSH
120	98-9438	2	Stud
130	98-9440	2	Nut-Cap
140	98-7699	4	Washer-Spring



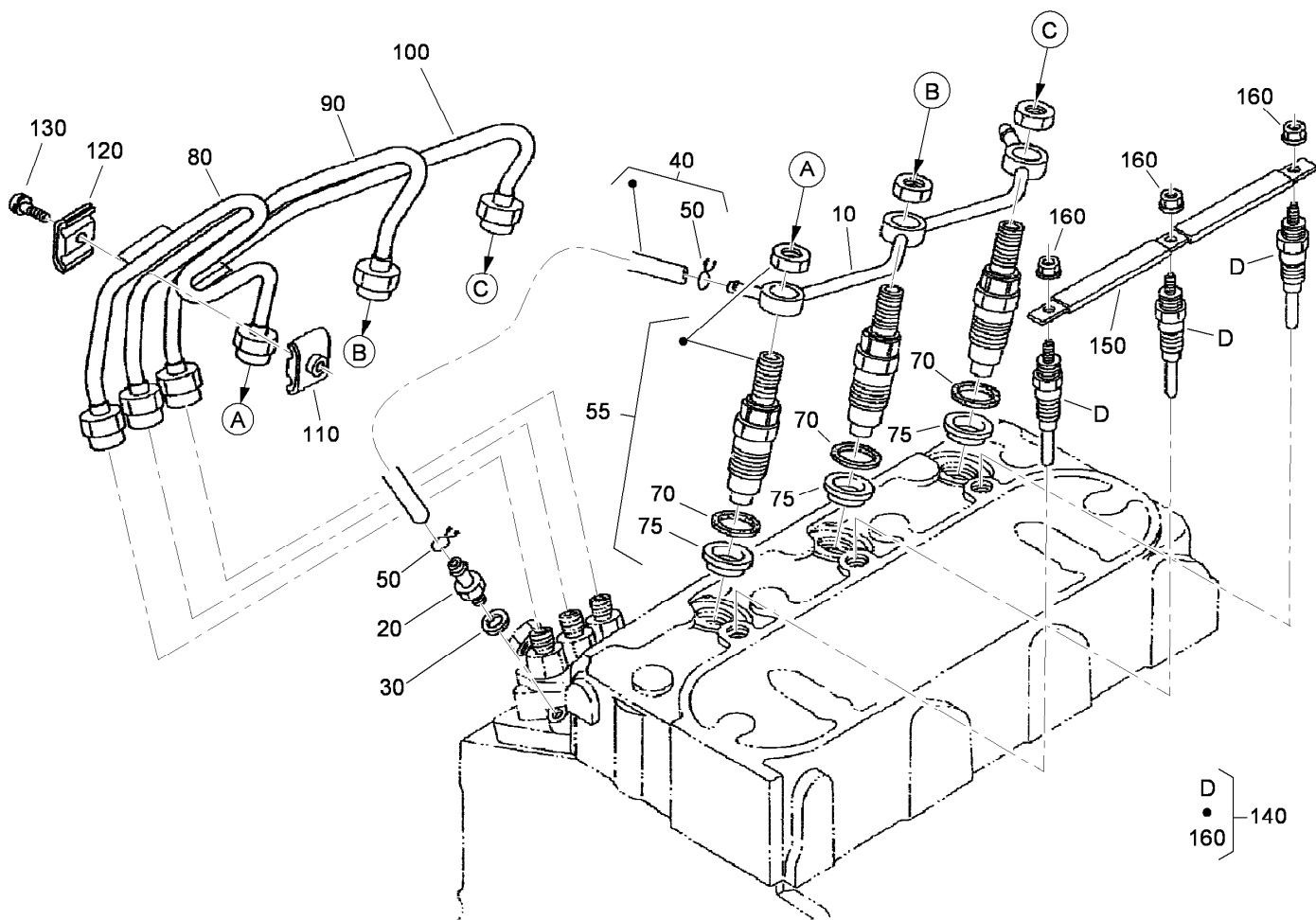
Governor Assembly

<i>Ref.</i>	<i>Part Number</i>	<i>Qty.</i>	<i>Description</i>
10	105-3786	1	Spring-Start
20	98-9681	1	Spring-Governor
30	107-9082	1	Fork Lever ASM
40	107-9084	1	Lever-Fork
50	107-9085	1	Shaft-Lever, Fork
60	107-9086	1	Shaft-Lever, Fork
70	98-9570	1	Bearing-Miniaturize
80	98-9569	1	Cover-Shaft, Fork Lever
90	98-9682	1	Gasket
100	98-9350	2	Bolt
110	98-9567	1	Collar
120	98-9571	1	Bearing-Miniaturize



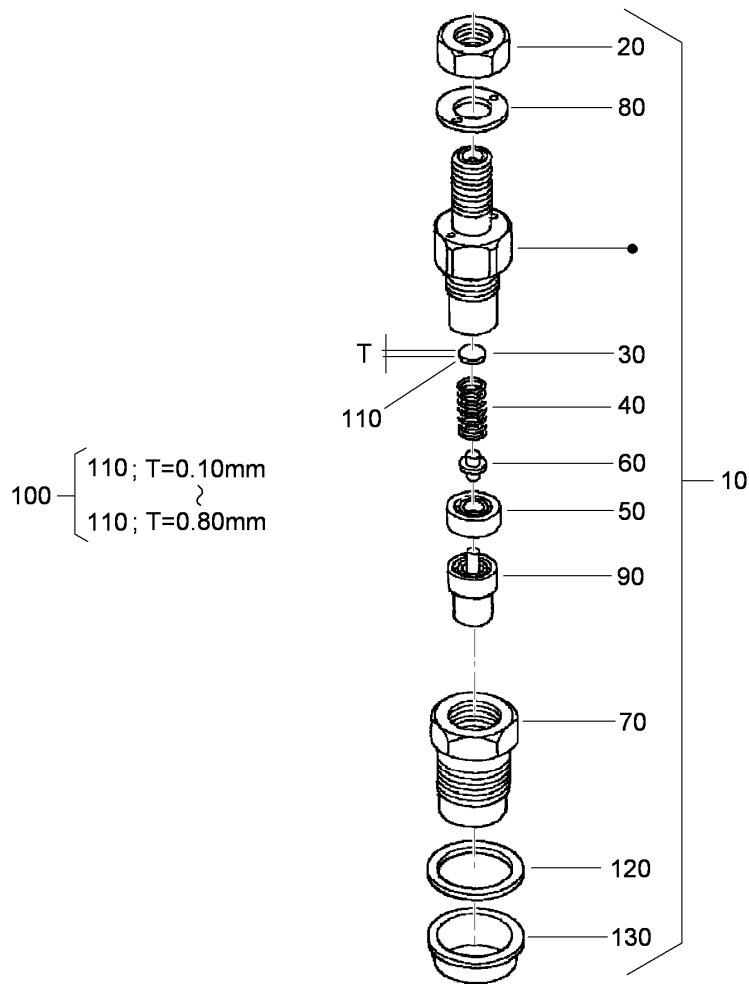
Speed Control Plate Assembly

<i>Ref.</i>	<i>Part Number</i>	<i>Qty.</i>	<i>Description</i>
10	105-3735	1	Control Plate ASM
20	98-9662	1	Lever-Control, Speed
30	98-9572	2	Lever-Control, Speed
40	105-3788	1	O-Ring
50	98-7602	2	Pin-Spring
60	98-9594	2	Washer-Plain
70	98-9589	2	Nut
80	98-9658	1	Governor Lever ASM
90	98-9663	1	Lever-Stop, Engine
100	98-7601	1	Seal-Oil
110	98-9472	1	Spring-Return
120	98-9664	1	Shaft-Lever, Stop
130	98-9637	1	Gasket
140	98-7692	1	Bolt
150	99-8348	1	Bolt
160	98-7654	1	Gasket
170	105-3710	2	Stud
180	98-7572	2	Nut
190	98-7699	2	Washer-Spring



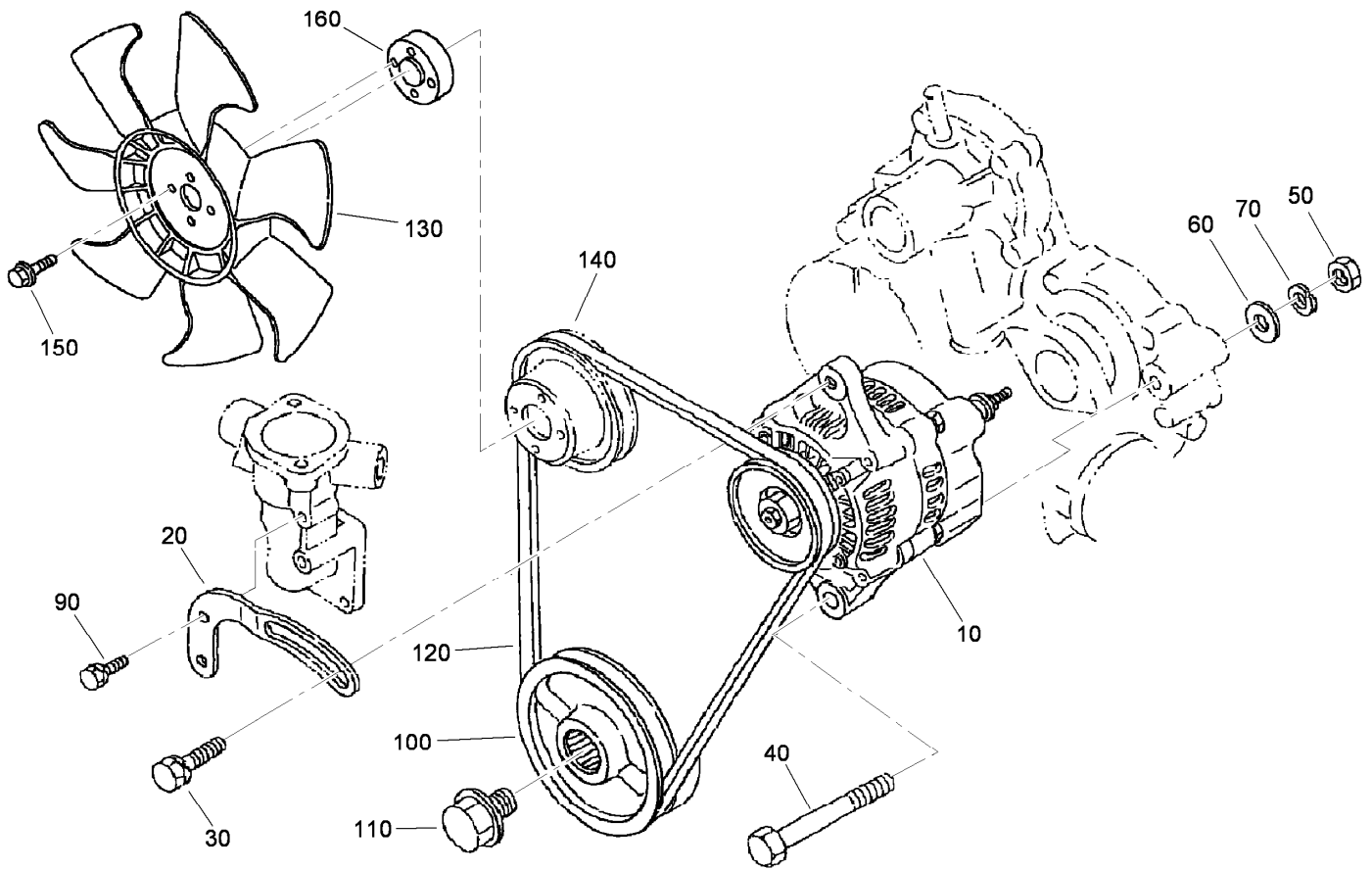
Nozzle Holder and Glow Plug Assembly

Ref.	Part Number	Qty.	Description
10	98-9621	1	Overflow Pipe ASM
20	98-9431	1	Screw-Bleeder, Air
30	98-7654	1	Gasket
40	98-9624	1	Overflow Pipe ASM
50	98-7671	2	Clip-Pipe
55	108-2866	3	Nozzle Holder Kit
70	98-7676	3	Gasket
75	98-7677	3	Seal-Heat
80	98-9622	1	Pipe-Injection
90	98-9654	1	Pipe-Injection
100	98-9655	1	Pipe-Injection
110	98-7682	2	Clamp-Pipe
120	98-7683	2	Clamp-Pipe
130	98-7684	2	Screw (W/Washer)
140	98-9623	3	Plug-Glow
150	98-9631	1	Cord-Plug, Glow
160	99-8377	3	Nut-Flange



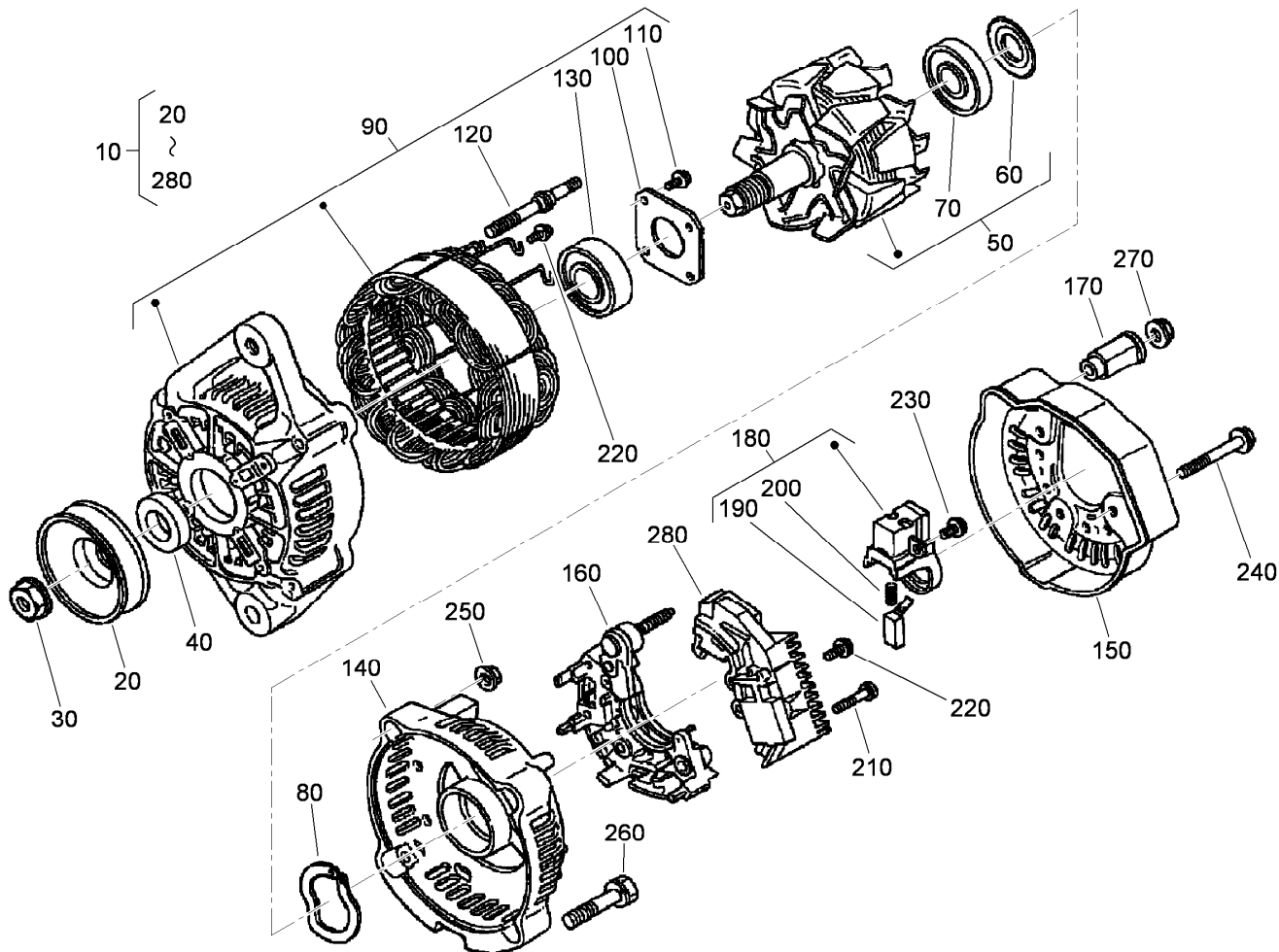
Nozzle Holder Assembly

<i>Ref.</i>	<i>Part Number</i>	<i>Qty.</i>	<i>Description</i>
10	108-2866	3	Nozzle Holder Kit
20	99-8301	3	Nut
30	99-8302	3	Washer-Adjusting
40	99-8303	3	Spring-Nozzle
50	99-8304	3	Spacer-Distance
60	99-8305	3	Rod-Push
70	99-8306	3	Nut-Nozzle
80	99-8307	3	Washer-Plain
90	107-7826	3	Piece-Nozzle
100	99-8309	3	Adjusting Washer ASM
110	99-8310	3	Washer-Adjust (0.10Mm)
110	99-8311	3	Washer-Adjust (0.20Mm)
110	99-8312	3	Washer-Adjust (0.30Mm)
110	99-8313	3	Washer-Adjust (0.40Mm)
110	99-8314	3	Washer-Adjust (0.50Mm)
110	99-8315	3	Washer-Adjust (0.52Mm)
110	99-8316	3	Washer-Adjust (0.54Mm)
110	99-8317	3	Washer-Adjust (0.56Mm)
110	99-8318	3	Washer-Adjust (0.58Mm)
110	99-8319	3	Washer-Adjust (0.80Mm)
120	98-7676	3	Gasket
130	98-7677	3	Seal-Heat



Alternator and Pulley Assembly

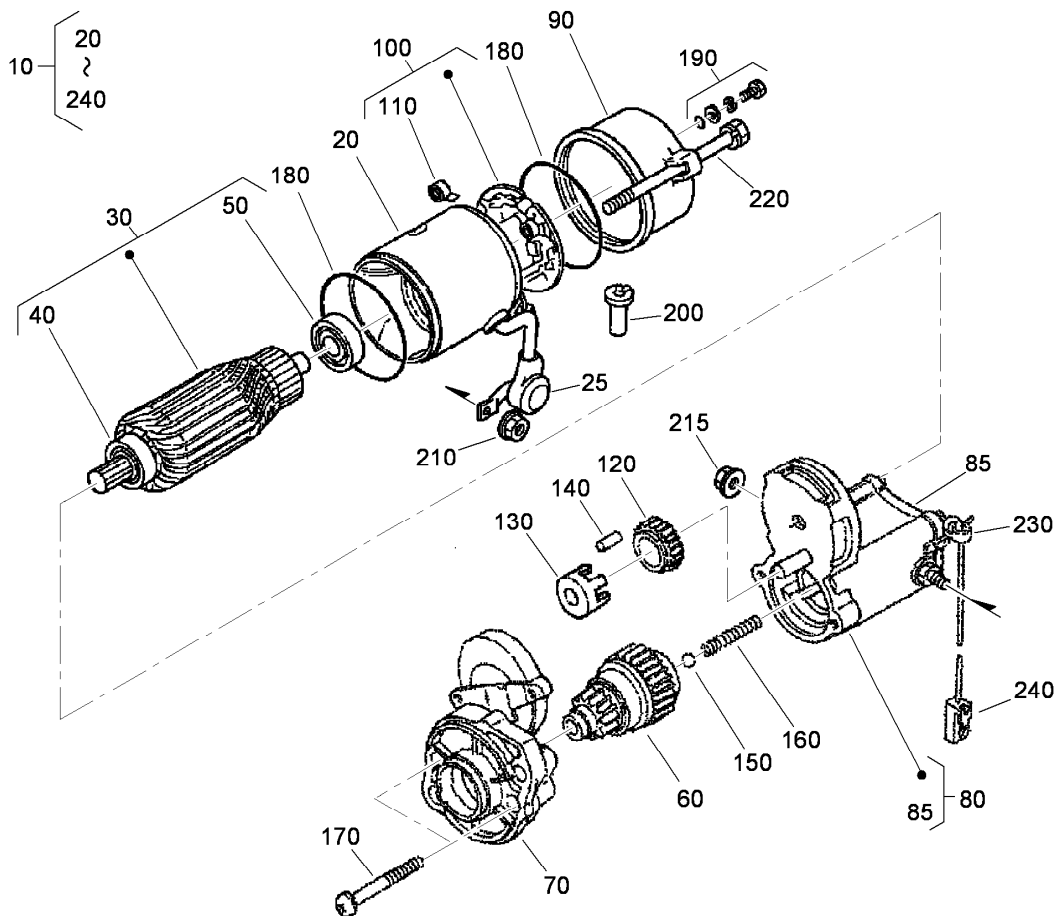
<i>Ref.</i>	<i>Part Number</i>	<i>Qty.</i>	<i>Description</i>
10	98-9474	1	Alternator ASM
20	112-7047	1	Stay-Dynamo
30	108-7088	1	Bolt
40	98-9360	1	Bolt
50	98-7737	1	Nut
60	98-9366	1	Washer-Plain
70	98-7738	1	Washer-Spring
90	98-7692	1	Bolt
100	98-9473	1	Pulley-Drive, Fan
110	98-9585	1	Bolt
120	98-9676	1	V-Belt
130	104-4246	1	Fan-Engine
140	98-9584	1	Pulley-Fan
150	33103-020	4	Screw-HHF
160	108-2872	1	Collar-Fan



Alternator Components Assembly

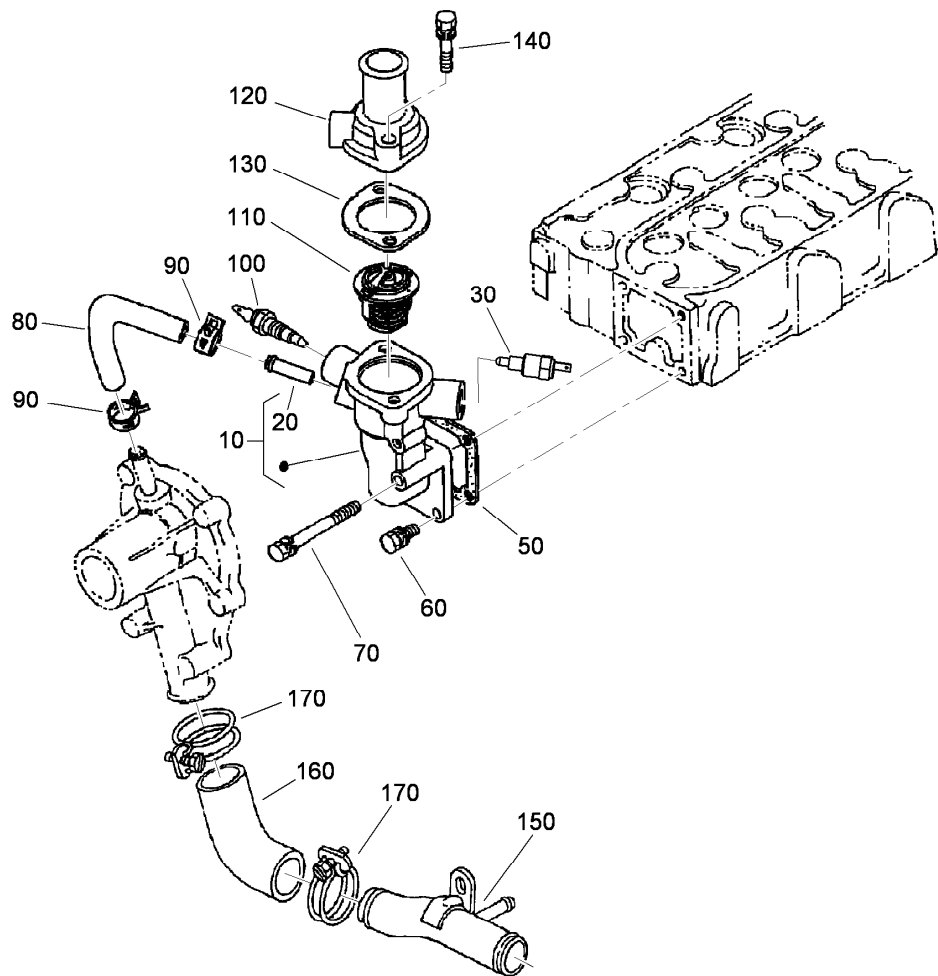
Ref.	Part Number	Qty.	Description
10	98-9474	1	Alternator ASM
20	98-9453	1	Pulley-Dynamo
30	98-7708	1	Nut
40	98-7709	1	Collar
50	107-0136	1	Rotor ASM
60	98-7711	1	Cover-Bearing
70	107-0138	1	Bearing-Ball
80	98-7713	1	Washer-Thrust
90	107-0139	1	Drive End Frame ASM
100	98-7715	1	Plate-Retainer
110	98-7716	4	Screw-Head, Round
120	98-7717	2	Bolt-Through
130	107-0137	1	Bearing-Ball
140	107-9087	1	Frame-End

Ref.	Part Number	Qty.	Description
150	107-0140	1	Cover-End
160	98-7721	1	Rectifier ASM
170	98-7722	1	Bushing-Insulation
180	107-0141	1	Brush Holder ASM
190	98-7724	2	Brush
200	98-7725	2	Spring-Brush
210	98-7726	2	Screw-Head, Round
220	98-7727	6	Screw-Head, Round
230	98-7728	1	Screw-Head, Round
240	98-7729	3	Bolt
250	98-7730	2	Nut
260	98-7731	2	Bolt
270	98-7732	1	Nut
280	110-3799	1	Regulator ASM



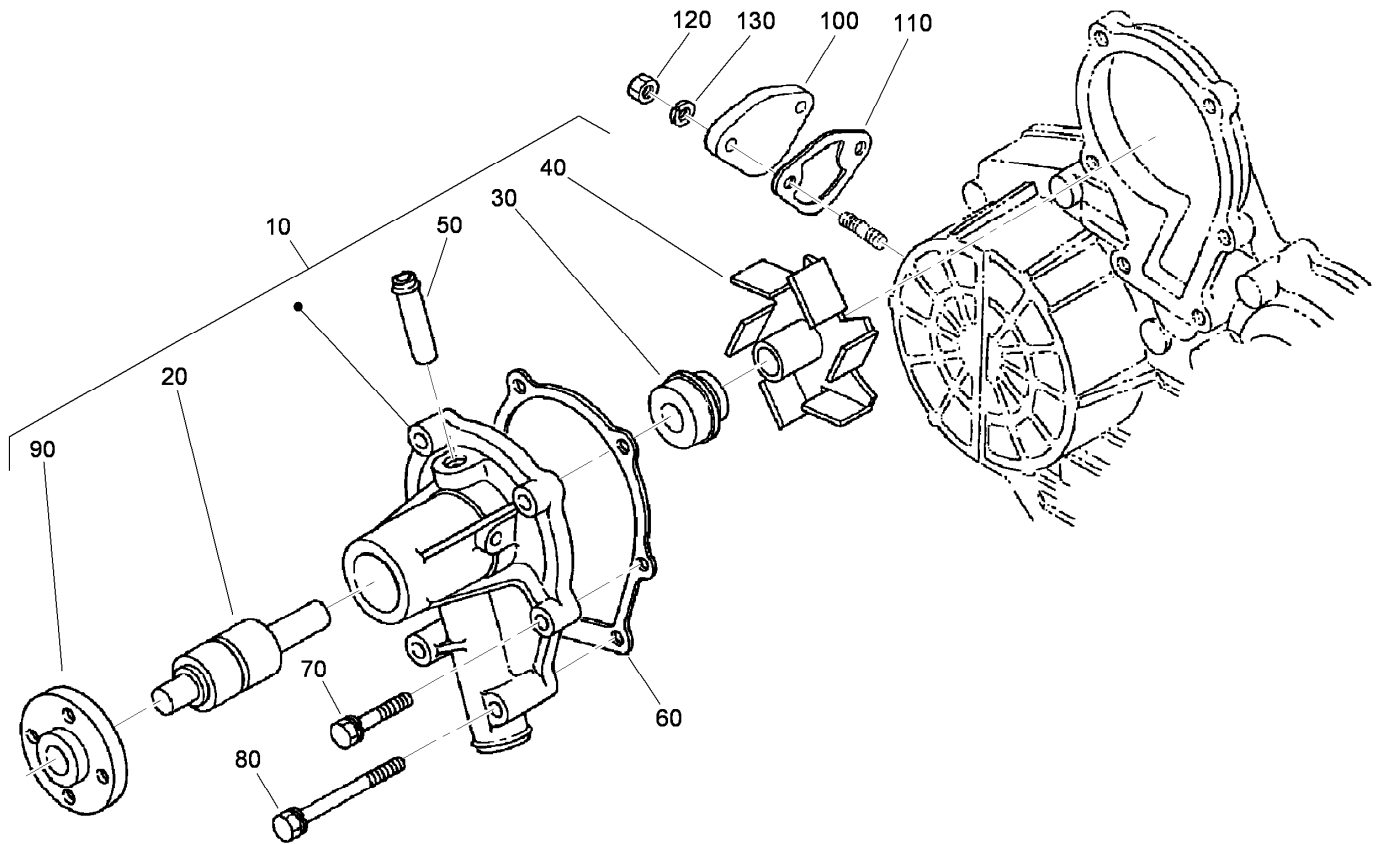
Starter (Component Part) Assembly No. 98-9705

<i>Ref.</i>	<i>Part Number</i>	<i>Qty.</i>	<i>Description</i>	<i>Ref.</i>	<i>Part Number</i>	<i>Qty.</i>	<i>Description</i>
10	98-9705	1	Starter ASM	130	98-7752	1	Retainer
20	104-8608	1	Yoke ASM	140	98-7753	5	Roller
25	99-8375	1	Cover	150	98-7755	1	Ball
30	98-7742	1	Armature ASM	160	98-7754	1	Spring
40	98-7744	1	Bearing	170	98-7756	2	Bolt
50	98-7743	1	Bearing	180	98-7757	2	O-Ring
60	99-8373	1	Clutch-Running, Over	190	98-7758	2	Bolt ASM
70	99-8374	1	Frame-End, Drive	200	98-7759	1	Pipe-Drain
80	105-3746	1	Magnetic Switch ASM	210	99-8371	1	Nut-Hex
85	105-2886	1	Cover ASM	215	99-8376	1	Nut-Hex
90	98-7748	1	Frame-End	220	100-9240	2	Bolt
100	98-7749	1	Brush Holder ASM	230	98-9712	1	Band-Cover
110	98-7750	4	Spring-Brush	240	98-9711	1	Cord-Solenoid, Stop
120	98-7751	1	Gear				



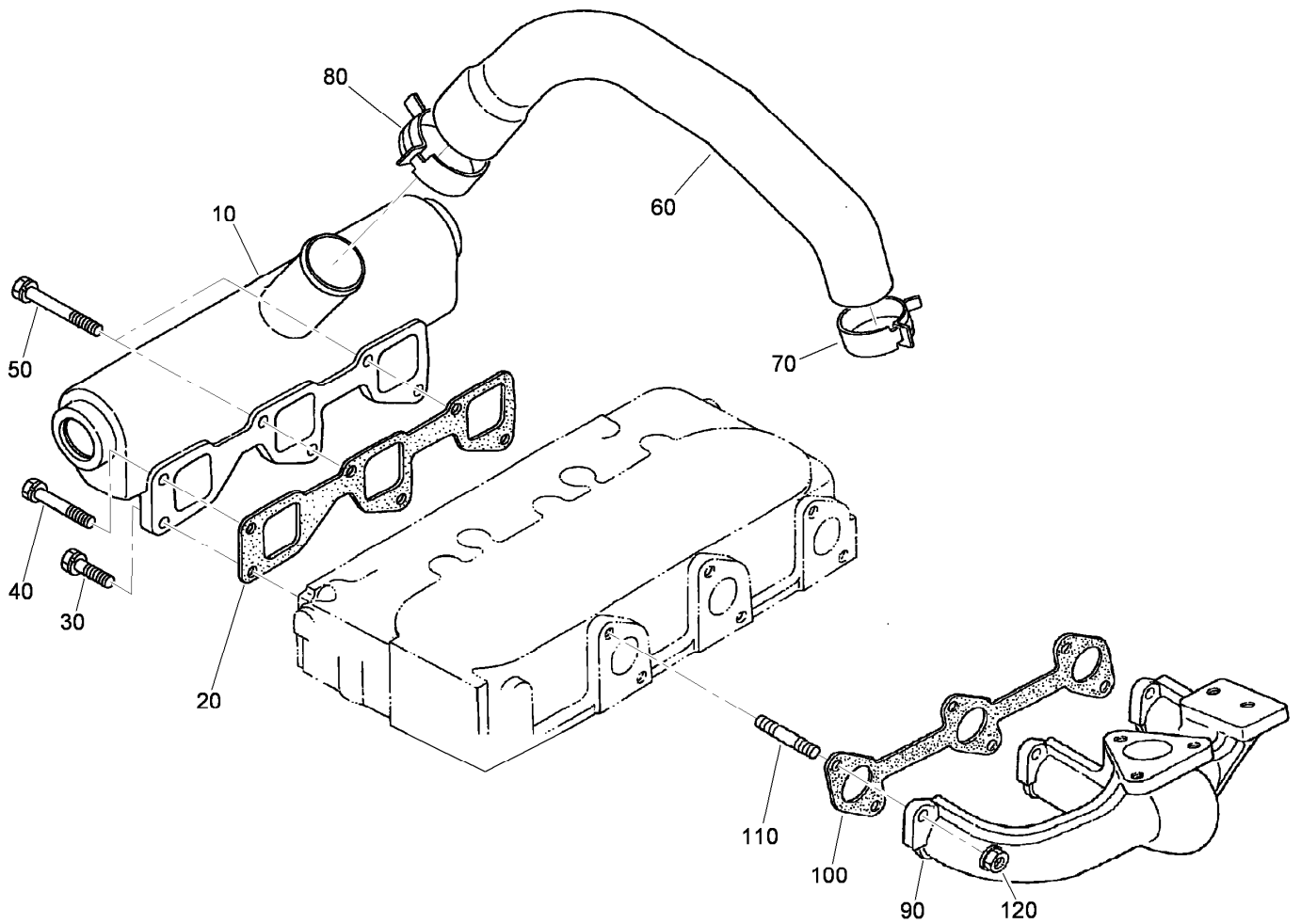
Water Flange and Thermostat Assembly

<i>Ref.</i>	<i>Part Number</i>	<i>Qty.</i>	<i>Description</i>
10	98-9713	1	Water Flange ASM
20	98-9580	1	Pipe-Return, Water
30	98-9719	1	Thermoswitch
50	98-9638	1	Gasket-Flange, Water
60	98-7692	3	Bolt
70	98-9356	1	Bolt
80	98-9578	1	Pipe-Return, Water
90	98-9579	2	Band-Pipe
100	112-0183	1	Switch-Thermometer
110	98-7778	1	Thermostat ASM
120	98-9471	1	Cover-Thermostat
130	105-3748	1	Gasket-Thermostat
140	98-7777	2	Bolt
150	99-8379	1	Pipe-Water
160	107-9091	1	Pipe-Water
170	98-9717	2	Clamp



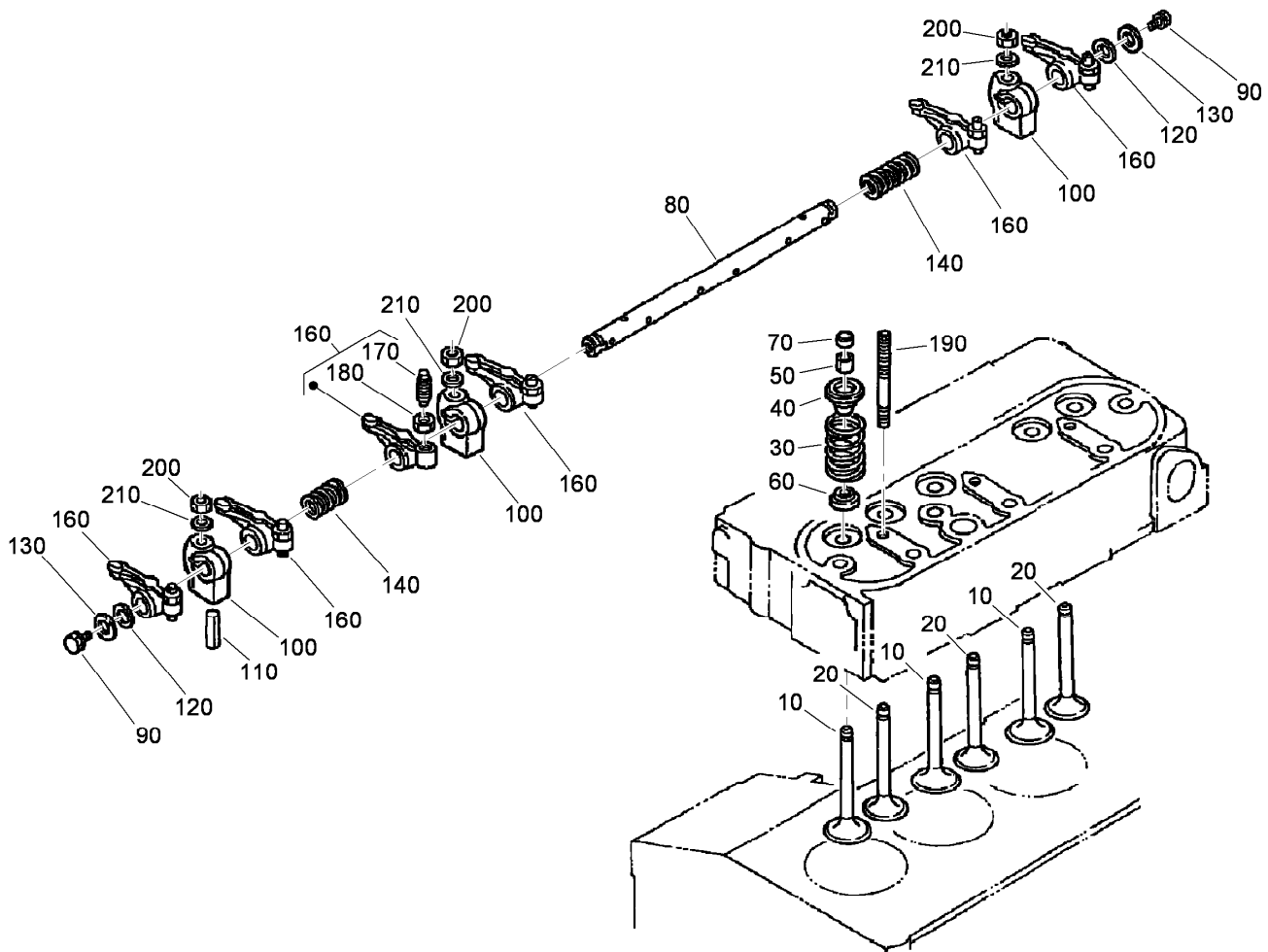
Water Pump Assembly

<i>Ref.</i>	<i>Part Number</i>	<i>Qty.</i>	<i>Description</i>
10	107-9089	1	Water Pump ASM
20	99-3517	1	Bearing-Pump, Water
30	105-3750	1	Mechanical Seal ASM
40	112-7017	1	Impeller-Pump, Water
50	100-1932	1	Pipe-Return, Water
60	99-3454	1	Gasket-Pump, Water
70	98-9353	4	Bolt
80	107-9090	2	Bolt
90	99-3516	1	Flange-Pump, Water
100	99-3514	1	Cover
110	98-9636	1	Gasket-Pump, Fuel
120	98-7572	2	Nut
130	98-7699	2	Washer-Spring



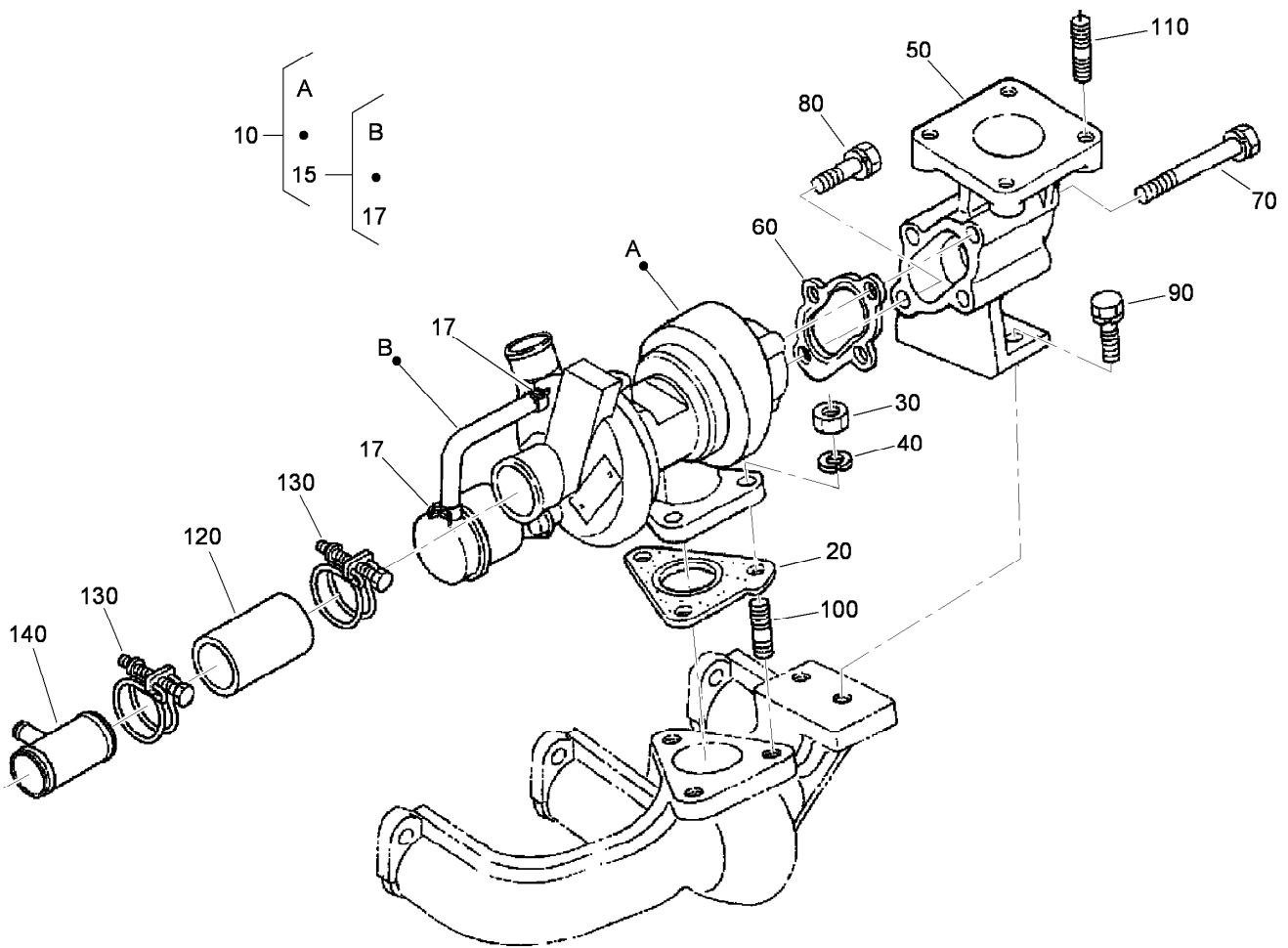
Inlet and Exhaust Manifold Assembly

<i>Ref.</i>	<i>Part Number</i>	<i>Qty.</i>	<i>Description</i>
10	99-8321	1	Manifold-Inlet
20	99-8329	1	Gasket-Manifold, Intake
30	98-7568	3	Bolt
40	107-9073	1	Bolt
50	99-8320	2	Bolt
60	115-3047	1	Hose-Inlet
70	115-3048	1	Clamp-Hose
80	115-3049	1	Clamp-Hose
90	108-1411	1	Manifold-Exhaust
100	99-8327	1	Gasket-Manifold, Exhaust
110	98-9588	6	Stud
120	98-9665	6	Nut



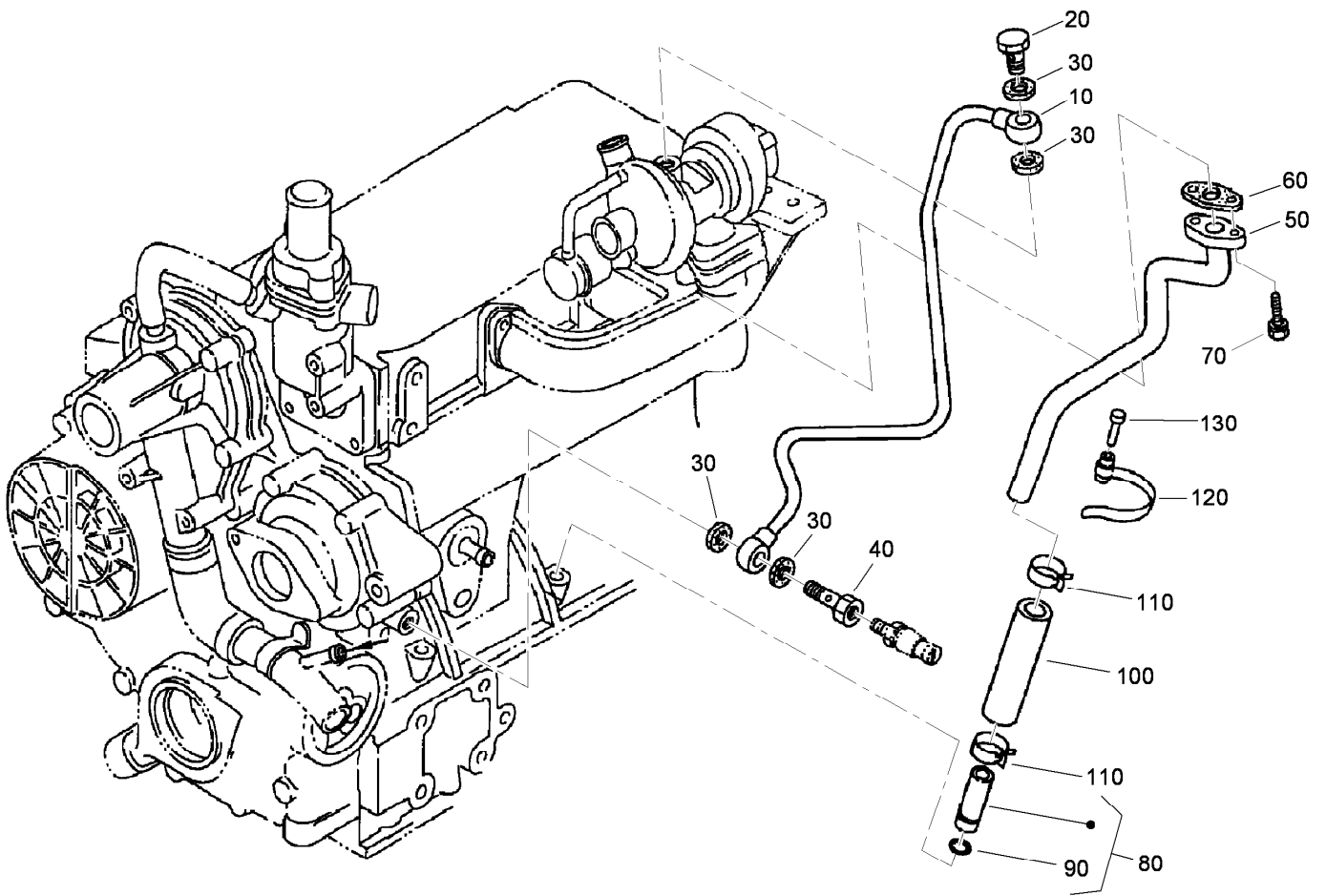
Valve and Rocker Arm Assembly

<i>Ref.</i>	<i>Part Number</i>	<i>Qty.</i>	<i>Description</i>
10	112-7018	3	Valve-Inlet
20	112-7019	3	Valve-Exhaust
30	98-9626	6	Spring-Valve
40	107-9092	6	Retainer-Spring
50	98-9390	6	Collet-Spring, Valve
60	99-8385	6	Seal-Stem, Valve
70	98-9497	6	Cap-Valve
80	105-3790	1	R-Arm Shaft ASM
90	100-9265	2	Bolt
100	98-9505	3	Bracket-Arm, Rocker
110	105-3758	1	Pin-Spring
120	98-9507	2	Washer-Shaft, R-Arm
130	110-3832	2	Washer-Plain
140	98-9504	2	Spring-Arm, Rocker
160	112-7020	6	Rocker Arm ASM
170	98-9502	6	Screw-Adjusting
180	98-9503	6	Nut
190	98-9506	3	Stud
200	98-9393	3	Nut
210	98-9385	3	Washer-Flat



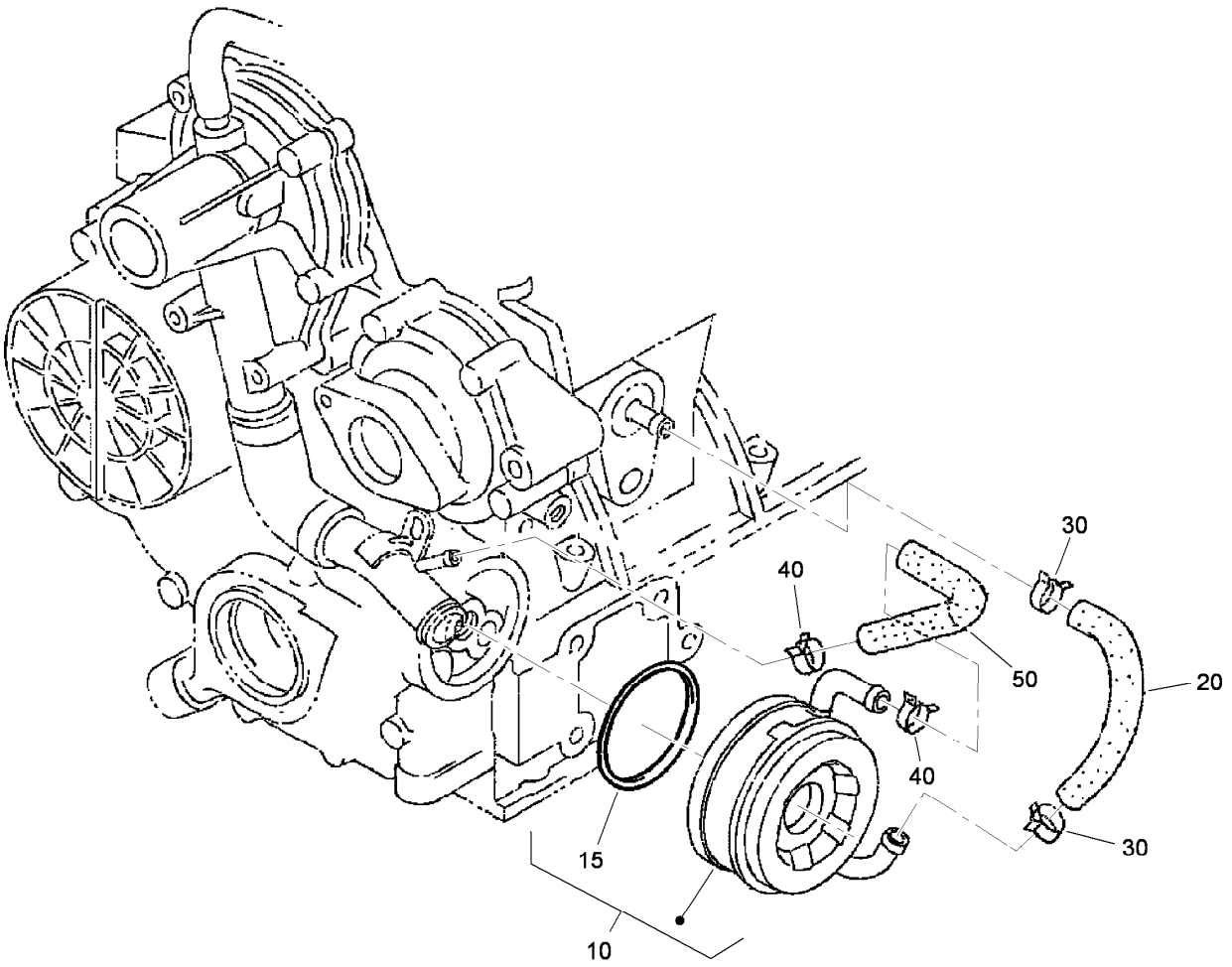
Turbo Charger Assembly

<i>Ref.</i>	<i>Part Number</i>	<i>Qty.</i>	<i>Description</i>
10	108-1412	1	Turbo Charger ASM
15	108-1413	1	Hose ASM
17	108-1414	2	Clamp-Hose
20	105-3767	1	Gasket
30	98-7534	3	Nut
40	105-2893	3	Washer-Spring
50	99-8335	1	Flange-Muffler
60	105-3768	1	Gasket
70	115-4100	3	Bolt
80	105-2895	1	Bolt
90	98-7610	2	Bolt
100	99-8342	3	Stud
110	98-7769	4	Stud
120	115-4101	1	Tube-Inlet, Turbo
130	115-4102	2	Band
140	115-4103	1	Pipe-Inlet, Breather



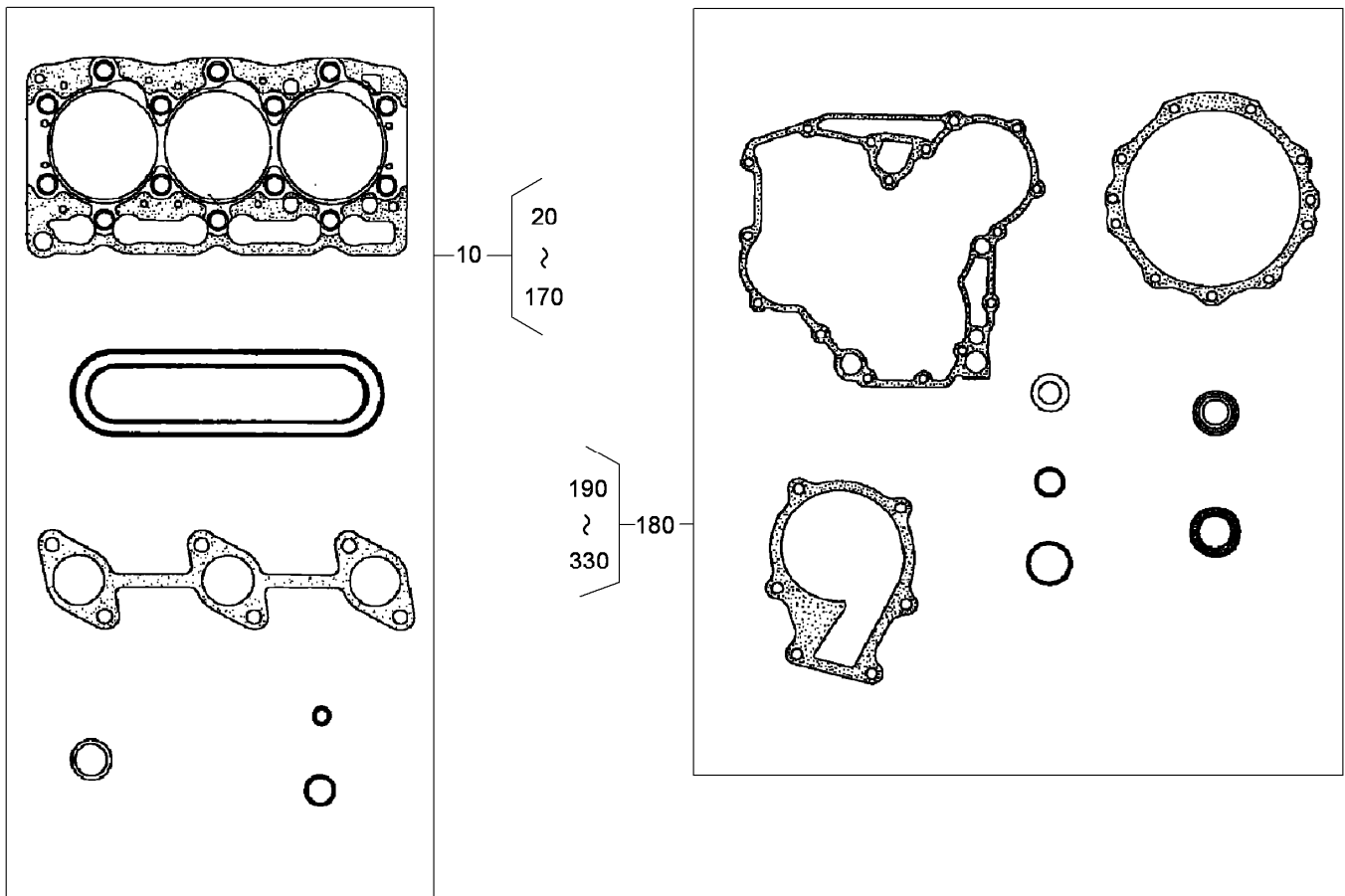
Turbo Charger Oil Pipe Assembly

<i>Ref.</i>	<i>Part Number</i>	<i>Qty.</i>	<i>Description</i>
10	98-9419	1	Oil Pipe ASM
20	98-9418	1	Bolt-Joint, Eye
30	99-8346	4	Gasket
40	98-9417	1	Bolt-Joint, Eye
50	98-9461	1	Pipe Line ASM
60	108-4422	1	Gasket
70	98-7605	2	Bolt
80	99-8383	1	Oil Pipe ASM
90	98-9722	1	O-Ring
100	98-9721	1	Pipe-Oil
110	98-9714	2	Clamp-Hose
120	98-9601	1	Clamp-Pipe
130	98-9591	1	Pin-Band



Oil Cooler Assembly

<i>Ref.</i>	<i>Part Number</i>	<i>Qty.</i>	<i>Description</i>
10	104-5158	1	Oil Cooler ASM
15	112-7030	1	O-Ring
20	98-9724	1	Pipe-Cooler, Oil
30	98-9579	2	Band-Pipe
40	98-9579	2	Band-Pipe
50	98-9578	1	Pipe-Return, Water

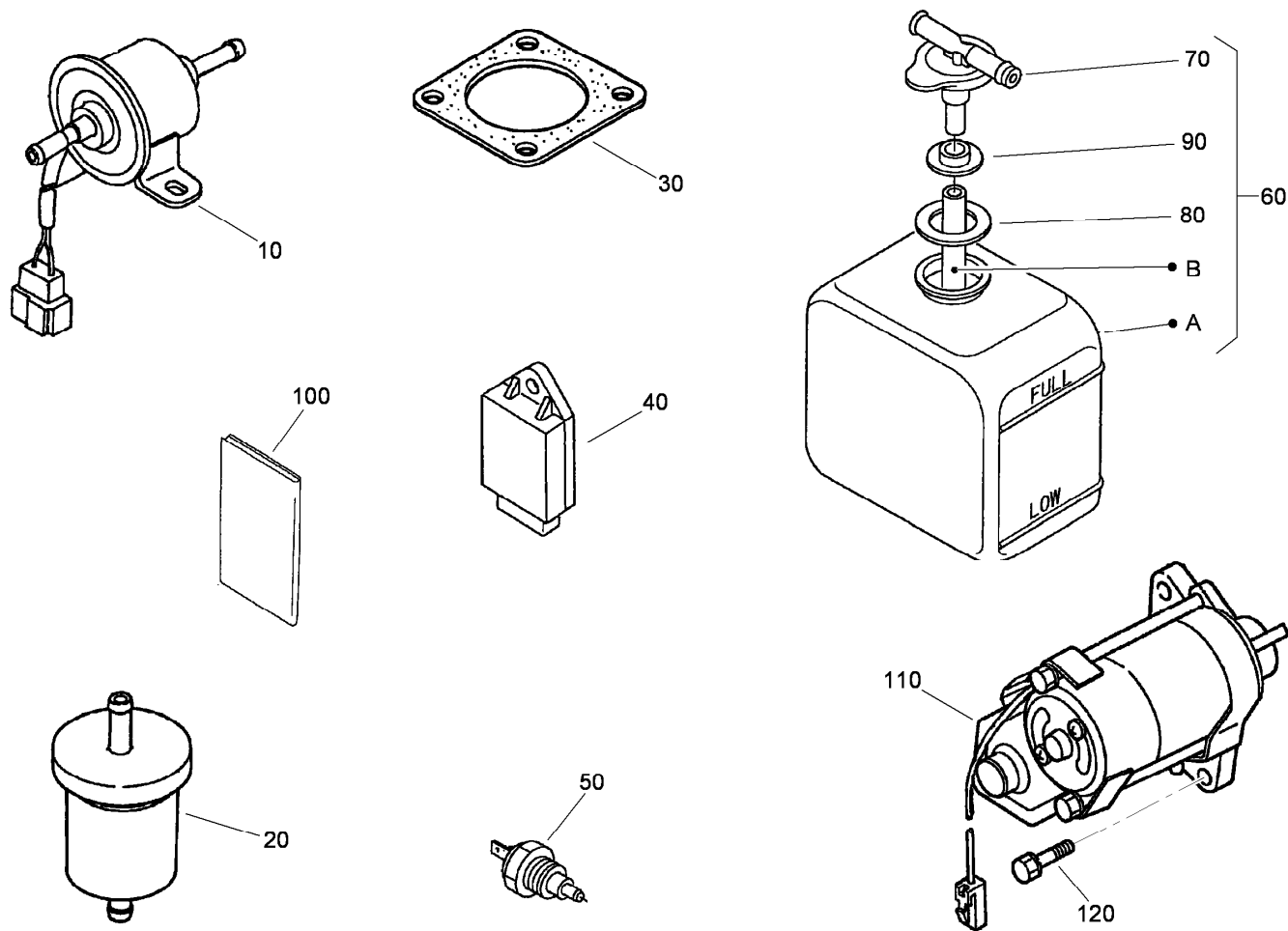


Gasket Kit

Ref.	Part Number	Qty.	Description
10	108-1415	1	Upper Gasket Kit
20	108-6573	1	Gasket-Head, Cylinder ●
40	99-8329	1	Gasket-Manifold, Intake ●
50	105-3767	1	Gasket ●
60	105-3768	1	Gasket ●
70	99-8327	1	Gasket-Manifold, Exhaust ●
80	99-8385	6	Seal-Stem, Valve ●
90	98-9615	1	Gasket-Cover, Head ●
100	98-9454	3	Gasket ●
110	99-3446	1	O-Ring ●
120	99-8346	4	Gasket ●
130	108-4422	1	Gasket ●
140	98-9722	1	O-Ring ●
150	98-9638	1	Gasket-Flange, Water ●
160	105-3748	1	Gasket-Thermostat ●
170	99-8343	1	Gasket-Muffler ●
180	112-7041	1	Lower Gasket Kit

Ref.	Part Number	Qty.	Description
190	98-9632	1	Gasket-Pump, Water ●
200	98-9633	1	Gasket-Case, Gear ●
210	105-3781	2	O-Ring ●
220	105-3777	2	O-Ring ●
230	98-9634	1	Gasket-Case, Bearing ●
240	98-9635	1	Gasket-Cover, Bearing Case ●
250	105-3783	1	O-Ring ●
260	105-3776	1	O-Ring ●
270	98-9729	1	O-Ring ●
280	98-9636	1	Gasket-Pump, Fuel ●
290	98-9682	1	Gasket ●
300	105-3788	1	O-Ring ●
310	98-7601	1	Seal-Oil ●
320	98-9637	1	Gasket ●
330	98-9683	1	Gasket-Cover, Solenoid ●

● Not illustrated



Electric Fuel Pump, Fuel Filter, Starter and Overflow Bottle Assemblies

Ref.	Part Number	Qty.	Description
10	107-0122	1	Pump-Fuel, Electric
20	98-7612	1	Filter-Fuel
30	99-8343	1	Gasket-Muffler
40	98-7611	1	Controller-Glow
50	98-9719	1	Thermoswitch
60	108-0638	1	Bottle-Overflow
70	105-3754	1	Cap
80	105-3755	1	Gasket
90	105-3756	1	Plate
100	115-4104	1	Operator Manual
110	98-9705	1	Starter ASM
120	98-7697	2	Bolt

Attachments and Accessories

For 30363TC Groundsmaster 7210 with 72in Side Discharge Mower

Product Name	Model/Part
Tooth Rake	08751
Finish Grader	08754
Drag Mat Carrier System	08756
Steel Drag Mat	08757
Coco Drag Mat	08758
Lug Tire (24 X 12 - 12)	103-6771
Bahiagrass Baffle Kit	105-7269
Blade-Belt Kit, 62 Inch Guardian Only	105-7270
Blade-Belt Kit, 72 Inch Guardian Only	105-7271
Blade-Belt Kit, 72 Inch Side Discharge Only	105-7272
Striping Kit, 72 Inch Side Discharge Only	105-7273
Yellow Hydraulic Cap	107-1576
Green Diesel Cap	107-2172
Premium Engine Oil, 15w40 (Drum)	108-1181
Premium Engine Oil, 15w40 (Pail)	108-1182
Premium Transmission/Hydraulic Tractor Fluid (Drum)	108-1183
Premium Transmission/Hydraulic Tractor Fluid (Pail)	108-1184
Leaf Mulching Kit	108-5273
Wheel And Tire ASM (Semi Pneumatic)	110-6406
Spark Arrestor Kit	112-1688
Bio-Diesel Fuel Filter Kit	112-9140
Slow Moving Vehicle Kit	114-4050
5 inch Air Cleaner Safety Element	114-4057
Weight Mount Bracket Kit	114-4090
42-pound Weight, For Kit 114-4090	114-4096
60-Amp Alternator Kit, Kubota 05 Series-Powered Traction Unit	117-5540
Overflow Tank Kit	117-5570
MVP (Filter) Kit	30037
400-hour Filter Maintenance Kit	30052
Guardian Recycler Completion Kit	30304
62in Guardian Recycler Completion Kit	30306
Guardian Fine Recycler Completion Kit	30346
Recycler Kit, 72in Side Discharge Mower	30347
Recycler Kit, 60in Side Discharge Mower	30348
Hardtop Sunshade	30359
Polar Trac Kit	30370
Polar Trac Cab	30371
Road Light Kit	30374
Z-Stand Kit	30375
Rear Quick Attach System	30377
V-Plow Mounting Kit	30378
Auxiliary Hydraulic Power Kit	30380
Auxiliary Power Unit	30382
CE Kit	30392
Debris Blower	30393
Rear Discharge Kit, 62 Inch Base Mower	30463
Rear Discharge Kit, 72 Inch Base Mower	30466

Notes:

Notes:

Notes:



Count on it.