

Gilson®

MODEL
54001

5 H.P.

MODEL
54000

3½ H.P.

LAWN VACUUM OWNER'S GUIDE & PARTS LIST



This Owner's Guide is prepared to bring to your attention all the information needed to maintain and operate your Lawn Vacuum with maximum efficiency. Read the instructions carefully before assembling and operating your Lawn Vacuum. Through proper care and operation, as explained in this manual, you will obtain long, efficient service and trouble-free operation.

Information regarding the operation and maintenance of the engine is not included in this manual. A separate instruction manual is included with each Lawn Vacuum and should be consulted for all information concerning engine adjustments and operations. Please contact the engine manufacturer for information concerning engine parts, service and maintenance.

CAUTION: All nuts and bolts should be checked and tightened during the first two hours of use. Periodic checks should be made thereafter.

ASSEMBLY

This unit is shipped to you completely assembled, with the exception of the handle bar and crank height adjustment.

1. Insert lower handle tubes into blower housing, fit upper handles over lower tubes, lock lower handles with set screws. Attach handle panel (item P on parts drawing) to handles with four bolts and lock nuts.
2. To attach bag, slip elastic end over blower chute, attach to upper handles by hooking eyelet over bag holder tubes.
3. The crank height adjustment is attached by first removing the lower collar and spring from the crank. Insert crank into the hole in the plate welded to the handle bar extension. Replace spring and lower collar and screw crank in the pivot bushing. Tighten the upper collar next to the plate welded to the handle bar extension, now raise the spring and tighten the lower collar under the spring. Your crank height adjustment should now be in operable condition.

CAUTION: Always keep hands and feet away from and out of blower housing. Stop engine completely and remove spark plug wire for added safety when

cleaning or inspecting rotor and blower housing. Always be sure engine is completely stopped when removing bag for emptying.

OPERATIONS

1. For best results, engine should be run at 2/3's maximum rpm or better.
2. Move slowly for more thorough cleaning. The crank height adjustment adjusts up or down for maximum vacuum efficiency.
3. Before vacuuming lawns or drives, pick up all heavy branches, stones and metal objects which may damage the rotor or bag if drawn into the machine.

Lawn Vacuum is designed to pack refuse into the bag, holds more and makes unloading less frequent. As the bag becomes full, vacuum efficiency is reduced, when this is noted, the bag should be emptied.

MAINTENANCE

The Lawn Vacuum requires a minimum amount of maintenance, periodic cleaning is recommended. Be sure to remove spark plug wire whenever working inside the unit to prevent inadvertent starting of the engine.

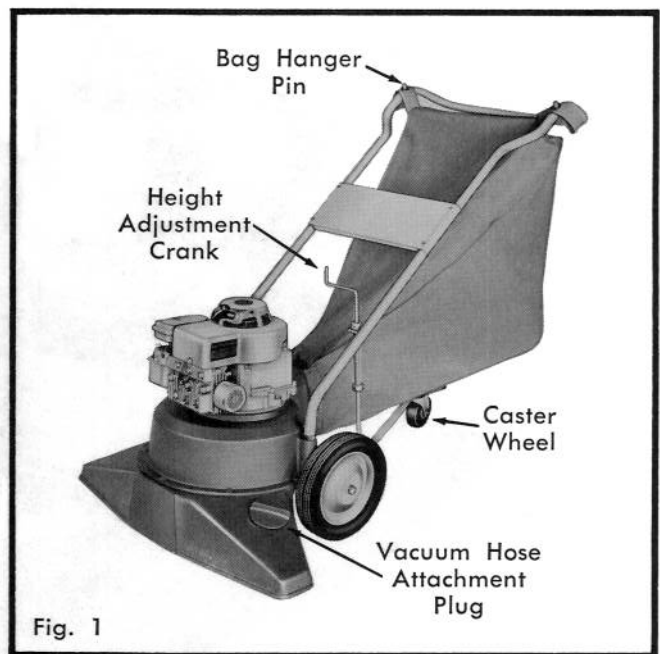
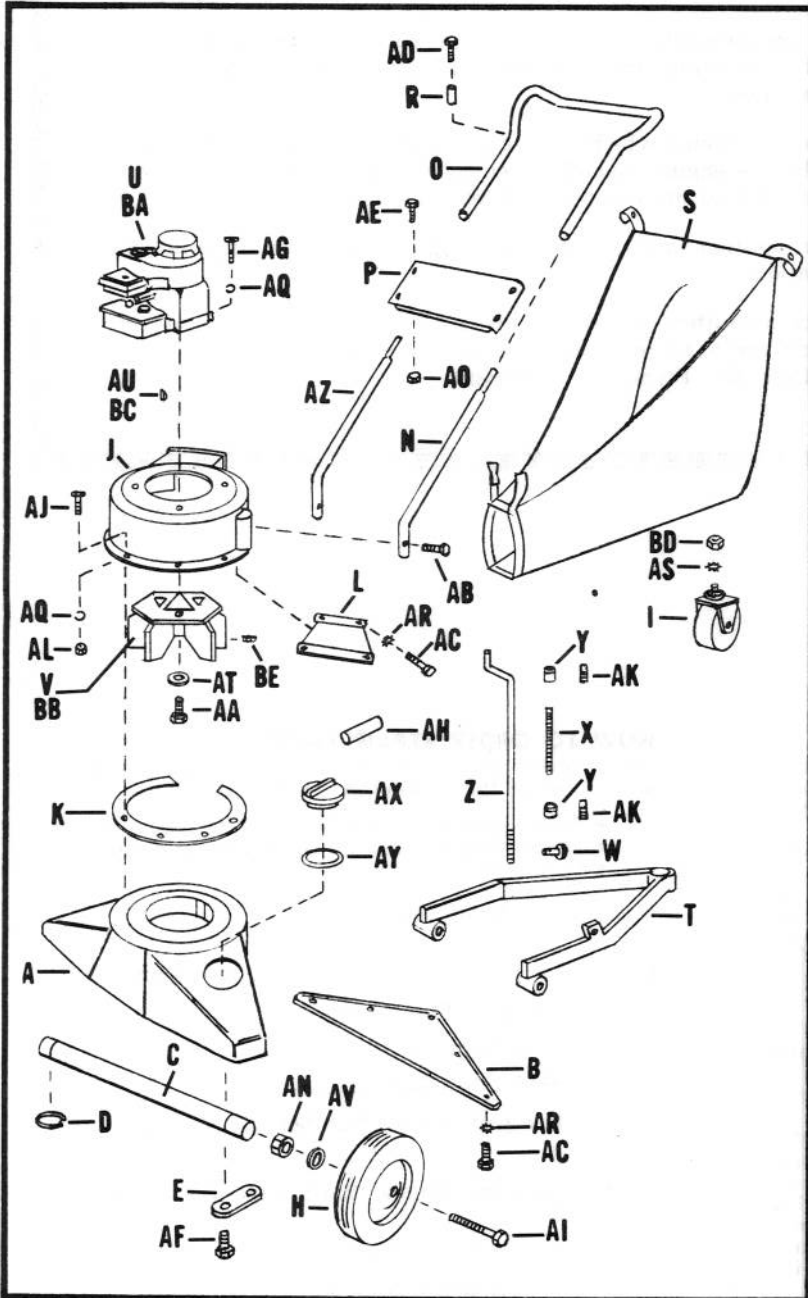


Fig. 1

LAWN VACUUM PARTS AND PARTS LIST

ORDER BY PART NUMBER



Ref. Let.	Part No.	Description	Qty.	784 5 H.P.	785 3 1/2 H.P.
A	10971	Main Support Casting	1	X	X
B	4707	Lower Cover Plate	1	X	X
C	4710	Wheel Axle Shaft	1	X	X
D	1042	Snap Ring	2	X	X
E	4713	Axle Strap	2	X	X
H	6241	Wheel	2	X	X
I	10970	Caster	1	X	X
J	4451	Blower Housing	1	X	X
K	4708	Housing Gasket	1	X	X
L	4709	Chute Cover Plate	1	X	X
N	10968	Handle Bar Extension Assy.	1	X	X
O	10967	Handle Bar	1	X	X
P	4706	Handle Bar Shroud	1	X	X
R	4714	Tube - Bag Holder	2	X	X
S	10837	Vented Bag	1	X	X
T	10956	Caster Support Assy.	1	X	X
U	9972	Engine, 3 1/2 H.P.	1	X	X
V	6772	Impeller Assembly	1	X	X
W	10962	Height Adj. Pivot Bushing	1	X	X
X	10963	Spring Height Adjustment	1	X	X
Y	10965	Collar, Height Adj.	2	X	X
Z	10966	Crank, Height Adj.	1	X	X
AA	6773	3/8-24 x 1 1/4 Nylock Cap Screw	1	X	X
AB	*	5/16-18 x 1/2 Sq. Hd. Set Screw, Plated	2	X	X
AC	4729	#10-24 x 1/2 Phillips Recess Rd. Hd. Screw, Plated	7	X	X
AD	4730	#10-24 x 1 Phillips Recess Rd. Hd. Screw, Plated	2	X	X
AE	*	1/4-20 x 1 1/4 Hex. Hd. Cap Screw, Plated	4	X	X
AF	*	5/16-18 x 3/4 Hex. Hd. Cap Screw, Plated	4	X	X
AG	*	5/16-18 x 1 1/4 Hex. Hd. Cap Screw, Plated	3	X	X
AH	6814	1/8 x 1/2 Roll Pin	2	X	X
AI	*	1/2-13 x 3 1/2 Hex. Hd. Cap Screw, Plated	2	X	X
AJ	*	5/16-18 x 1 Sq. Neck Carriage Bolt, Plated	8	X	X
AK	*	5/16-18 x 5/16 Socket Hd. Set Screw	2	X	X
AL	*	5/16-18 Hex. Nut, Plated	8	X	X
AN	*	1/2-13 Hex. Nut, Plated	2	X	X
AO	*	1/4-20 Hex. Lock Nut, Pl't'd	4	X	X
AQ	*	5/16 Medium Lock Washer, Plated	11	X	X
AR	*	#10 Shakeproof Lock Washer, Plated	7	X	X
AS	*	7/16 Medium Lock Washer, Plated	1	X	X
AT	*	3/8 Medium Lock Washer, Plated	1	X	X
AU	*	5/32 x 5/8 Hypro Key	2	X	X
AV	*	1/2 Flat Washer, Plated	2	X	X
AX	6562	Closure Button	1	X	X
AY	2340	Seal Ring	1	X	X
AZ	4704	Handle Bar Extension	1	X	X
BA	12262	Engine, 5 H.P.	1	X	
BB	7679	Impeller Assembly	1	X	
BC	*	3/16 x 3/16 x 2 Key	1	X	
BD	*	7/16-14 Hex. Nut, Plated	1	X	X
BE	*	3/8-24 x 5/16 Socket Hd. Set Screw	1	X	X

*Common Hardware - Purchase Locally

Gilson Brothers Co., Plymouth, Wisconsin, will warrant their products against defective material and workmanship for a period of one (1) year (30 days if in commercial use) under normal use and service. We will make good at our authorized service outlet such parts which shall, within one (1) year after delivery to original purchaser (within 30 days if in commercial use), be returned to our authorized service outlet by the original purchaser and found upon examination to be defective.

This warranty is made in lieu of all other warranties, expressed or implied, and in lieu of all other obligations or liabilities which we otherwise have or may have, and we do not assume, nor do we authorize our service outlets, distributors or our agents to assume for us, any other liability regarding our products.

This warranty does not apply to any Gilson products which have been repaired or altered by other than our authorized service outlet in any way. This warranty does not apply to any Gilson products which have been subject to misuse, negligence or accident.

Furthermore, this warranty does not apply to the engine which is covered by the warranty of the engine manufacturer. The requirements established by the engine manufacturer, as stated in the engine manual or in any warranty cards or instructions attached to the engine, must be complied with.

This warranty does not cover adjustments to ignition, parts, carburetors, spark plugs, or other adjustments made necessary through normal operations.

All transportation costs on products or parts submitted to Gilson or its distributors under this warranty must be paid by the user. No products or parts are to be returned without first obtaining written permission from the Service Department of Gilson Bros. Co., Plymouth, Wisconsin.

HOW TO OBTAIN SERVICE

In order to assure you of an adequate supply of Parts and Service information, the Gilson Brothers Company maintains a nation-wide system of Parts Distributors and Service Outlets.

Your local dealer most likely maintains such a supply of parts. If not, he will be able to furnish the name and address of the Service Outlet nearest you. Service on your engine can be obtained through the engine manufacturer's service outlets. See the yellow pages of your phone book.

HOW TO OBTAIN PARTS AND SERVICE UNDER WARRANTY

Please fill in and mail your Warranty Registration and Information Card, and read Warranty Policy.

For Engine Warranty Claim, see Engine Manufacturer's Warranty Provisions.

Gilson Brothers Company stands behind all the products they manufacture. In order to receive parts and service under the Warranty Provisions, all claims must be made on a Gilson Warranty Form, to be filled out by your dealer. Be sure to give him all the information he needs — name, serial number, correct part numbers, and quantity of each part. This procedure will insure fast, accurate settlement of your claim.

HOW TO ORDER REPAIR PARTS

When ordering parts from your local Gilson Dealer, be sure to send the following information:

- Serial number. Include all letters and numbers.
- Model name. Include all letters and numbers.
- Complete part number.
- Name of each part.
- Quantity of each part.

Fill in the following for your future reference:

For ordering Gilson Parts:

Unit Name _____

Model Number _____

Complete Serial Number _____

For ordering Engine Parts from the Engine Manufacturer:

Engine Model Number _____

Engine Serial Number _____