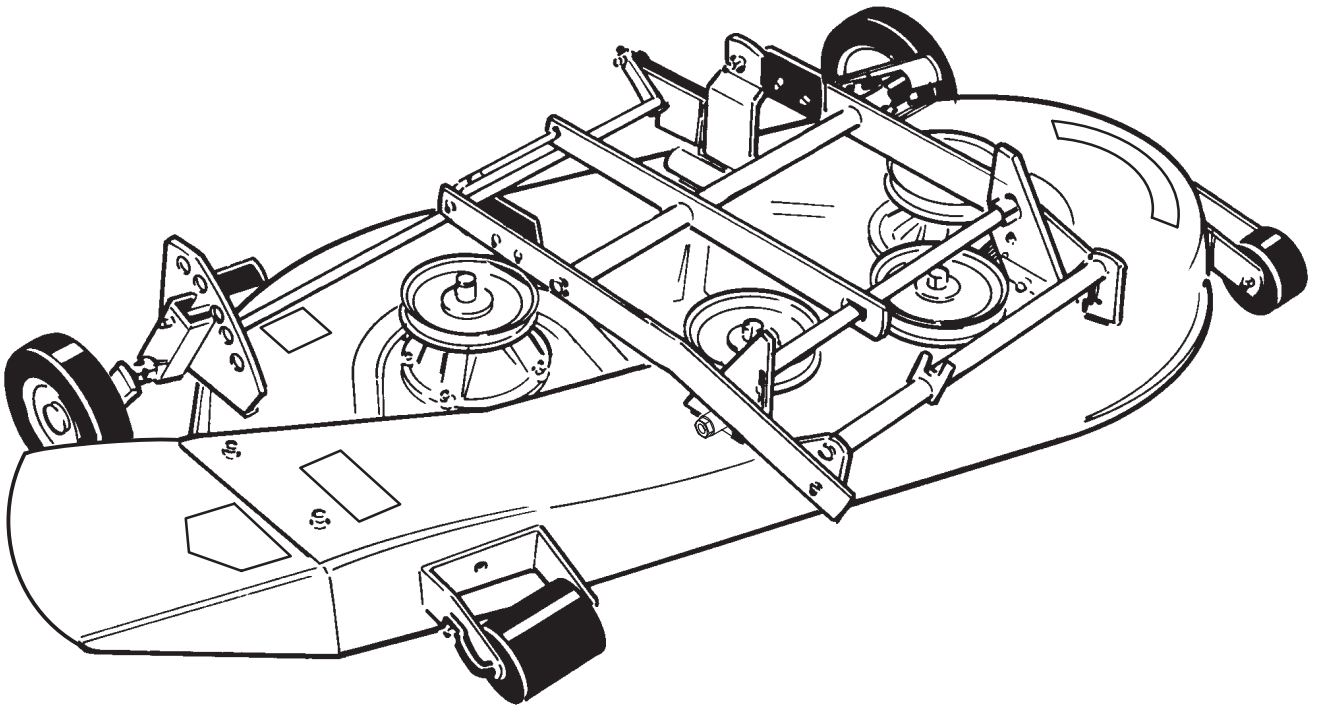




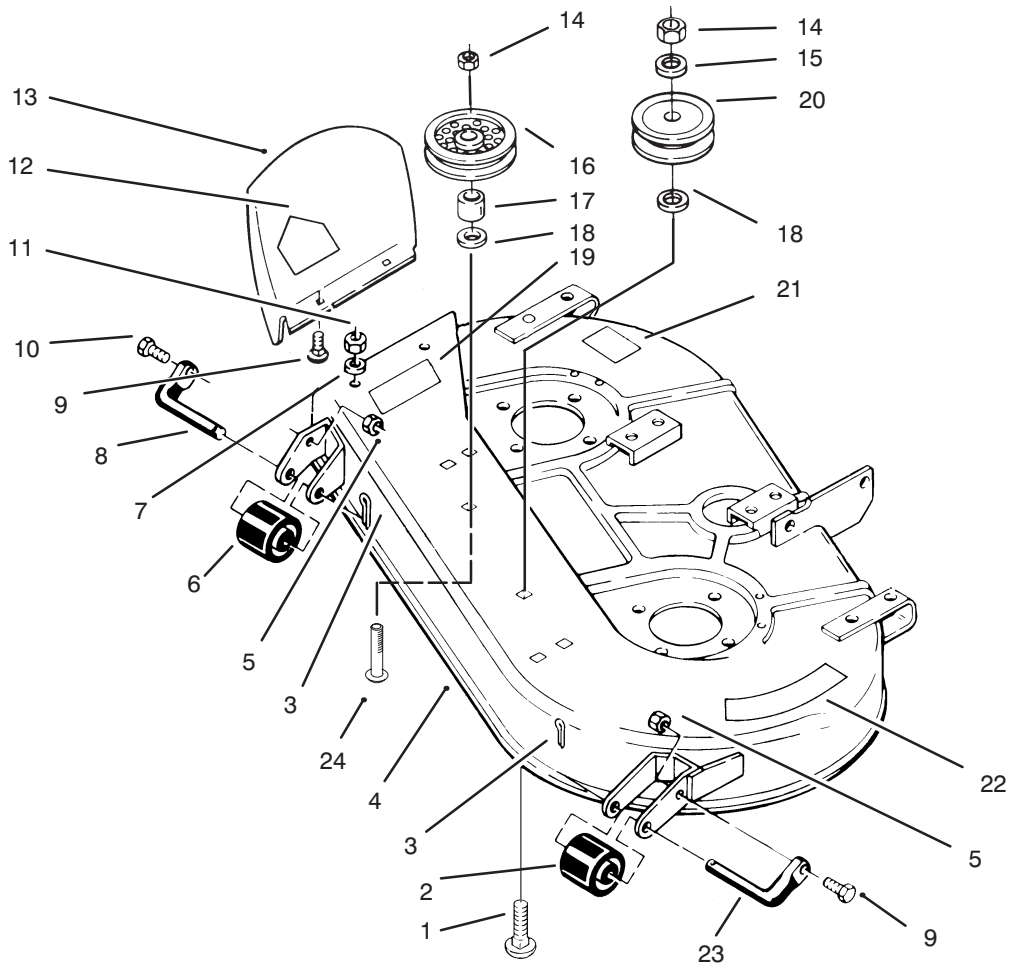
MODEL NO. 78315-6900001 & UP

PARTS
CATALOG

WHEEL HORSE □
37" Side Discharge Deck



C-1690

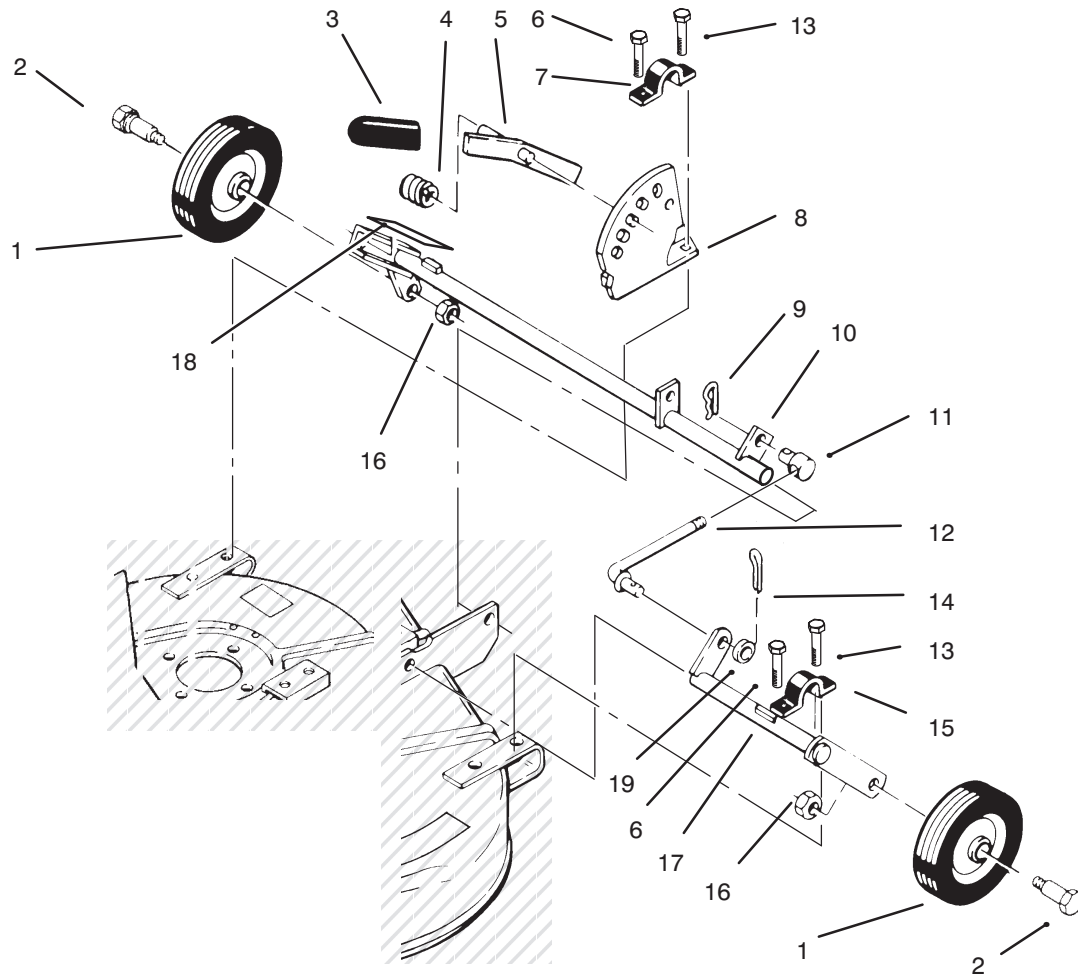


C-1691

DECK ASSEMBLY

Ref. No.	Part No.	Description	No. Used
1	3231-6	Bolt - Carriage	1
2	111173	Roller - L.H.	1
3	3272-21	Pin - Cotter	2
4	92-7289	Deck - Mower (Incl. Ref. #19 & 22)	1
5	3296-42	Nut	2
6	108798	Roller - R.H.	1
7	3256-23	Washer	2
8	110847	Shaft - Roller R.H.	1
9	3230-1	Bolt - Carriage	2
10	321-4	Bolt	2
11	3296-29	Nut	2
12	93-1122	Decal - Danger	1

Ref. No.	Part No.	Description	No. Used
13	92-7290	Extension - Chute (Incl. Ref. #12)	1
14	3296-39	Nut	2
15	3256-24	Washer	1
16	119130	Pulley - Flat Idler	1
17	115760	Spacer	1
18	3256-6	Washer	2
19	92-7108	Decal - Danger	1
20	112791	Pulley - Idler	1
21	111769	Decal - Belt Installation	1
22	92-7110	Decal - Danger	1
23	111174	Shaft - Roller L.H.	1
24	3231-7	Bolt - Carriage	1

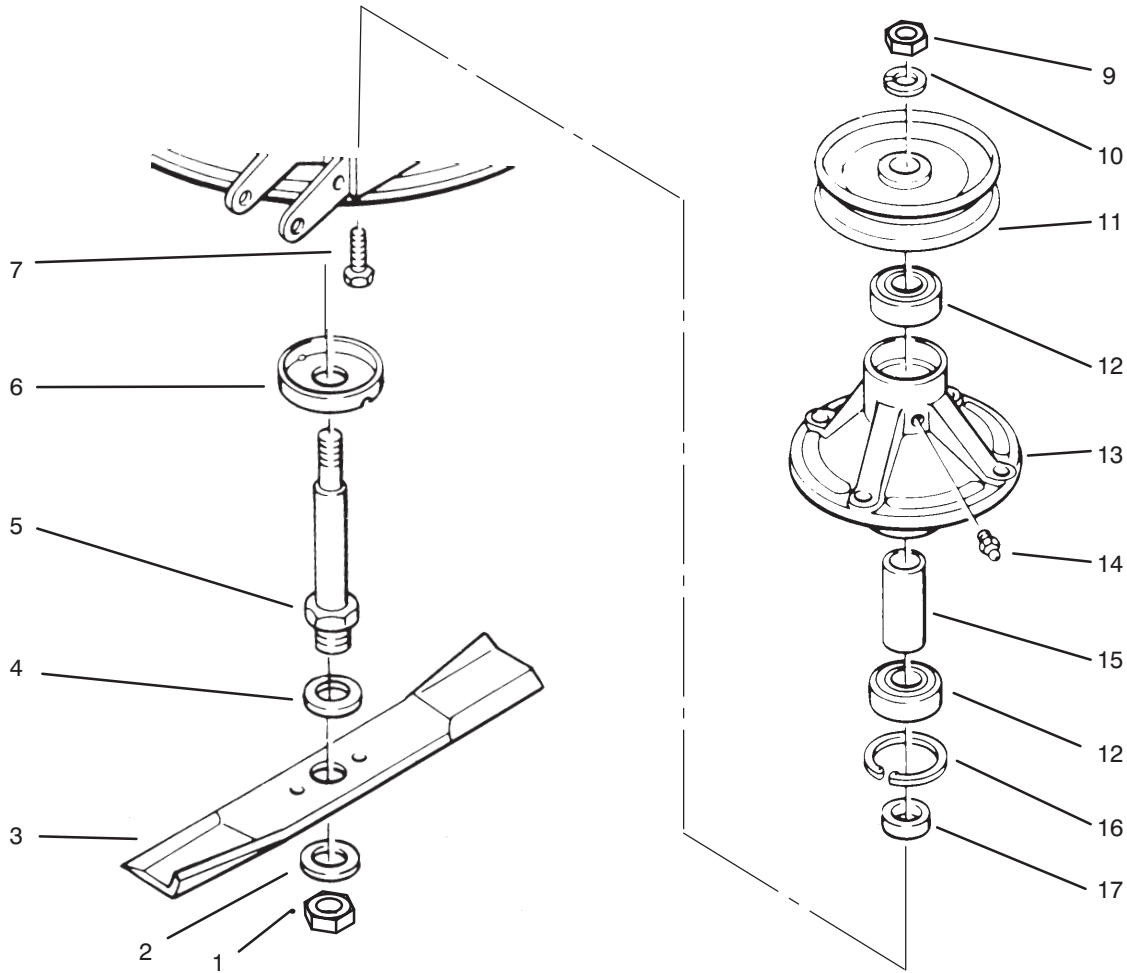


C-1692

HEIGHT OF CUT ADJUSTMENT

Ref. No.	Part No.	Description	No. Used
1	110506	Wheel	2
2	5188	Bolt - Shoulder	2
3	102597	Grip	1
4	101853	Spring	1
5	102431	Lever	1
6	9267164	Bolt	2
7	110841	Clamp	1
8	106392	Quadrant	1
9	3272-6	Pin - Cotter	1
10	111172	Support - Gage Wheel R.H.	1

Ref. No.	Part No.	Description	No. Used
11	110656	Trunnion	1
12	110844	Rod	1
13	9267154	Bolt	2
14	3272-10	Pin - Cotter	1
15	112930	Clamp	1
16	3296-39	Nut	2
17	108187	Support - Gage Wheel L.H.	1
18	111655	Decal - H.O.C.	1
19	3256-24	Washer	1



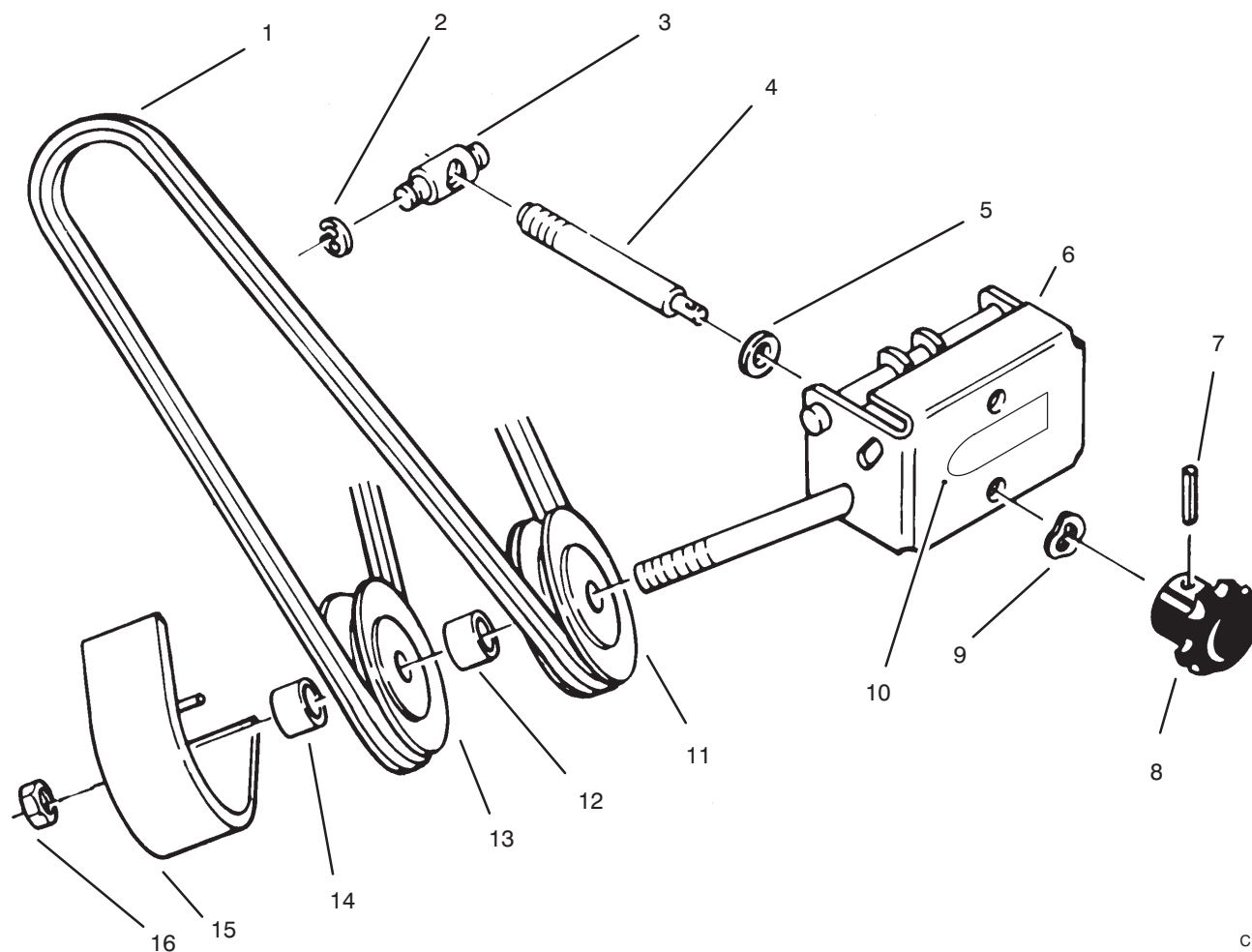
C-1693

SPINDLE & BLADE

Ref. No.	Part No.	Description	No. Used
1	3220-7	Nut	2
2	3256-28	Washer - Special	2
3	109918	Blade	2
4	9202574	Washer - Special	2
5	109912	Shaft - Spindle	2
6	106067	Cup - Spindle	2
7	3235-22	Bolt	8
9	3220-6	Nut - Jam	2
10	3253-8	Washer - Lock	2

Ref. No.	Part No.	Description	No. Used
11	111169	Pulley - Blade	2
12	109966	Bearing - Ball	4
13	109913	Housing - Spindle	2
14	302-16	Fitting - Grease	2
15	110200	Spacer	2
16	32120-42	Ring - Snap	2
17	106068	Spacer - Blade	2
*	109911	Spindle Assembly (Incl. Ref. # 5, 6 & 12-17)	2

*Not Illustrated

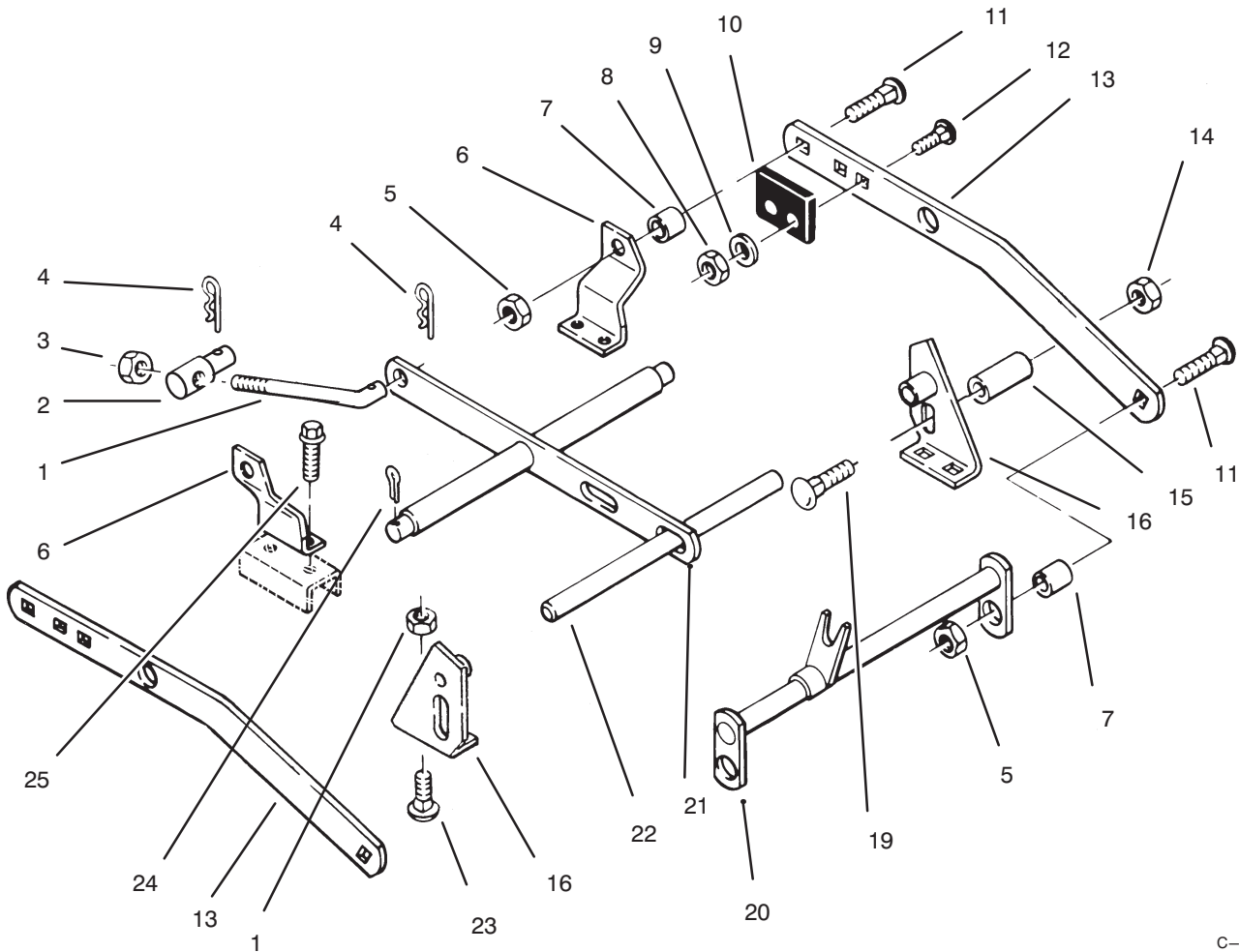


C-1694

DECK DRIVE BELT ATTACHMENT

Ref. No.	Part No.	Description	No. Used	Ref. No.	Part No.	Description	No. Used
1	110265	Drive – Belt	1	10	92-8747	Decal	1
2	105797	Ring – Retaining	2	11	92-7103	Pulley – Idler	1
3	101708	Trunnion	1	12	101734	Spacer – Inner	1
4	101842	Rod – Adjustment	1	13	104975	Pulley – Idler, Flat	1
5	3256-24	Washer	1	14	101757	Spacer – Outer	1
6	101728	Support – Idler, Front	1	15	102582	Cover – Belt	1
7	933156	Pin – Spirol	1	16	9150076	Nut – Lock	1
8	101851	Knob – Adjustment	1	*	101657	Idler Assembly – Front (Incl. Ref. #2-9 & 11-16)	1
9	108571	Washer – Spring	1				

*Not Illustrated



C-1695

DECK CARRIER ASSEMBLY

Ref. No.	Part No.	Description	No. Used
1	92-9841	Rod - Lift	1
2	6739	Stud Lift	1
3	3296-39	Nut	5
4	9335044	Pin - Cotter	2
5	102809	Nut	4
6	111175	Bracket - Rear Deck	2
7	111044	Spacer	4
8	3296-29	Nut	4
9	3256-3	Washer	4
10	102322	Bumper - Rubber	2
11	3231-25	Bolt - Carriage	4
12	3230-3	Bolt - Carriage	4

Ref. No.	Part No.	Description	No. Used
13	101777	Bar - Draft	2
14	3296-48	Nut	2
15	9793604	Spacer - Transport Stop	2
16	111176	Bracket - Front	2
19	3232-3	Bolt - Carriage	2
20	101758	Hitch	1
21	110268	Leveler	1
22	102570	Shaft - Front	1
23	3231-2	Bolt - Carriage	4
24	3272-12	Pin - Cotter	2
25	9267154	Bolt	4

TORO PART NUMBER INDEX

Part No.	Description	Pg. No.	Ref. No.	Qty.	Part No.	Description	Pg. No.	Ref. No.	Qty.
5188	Bolt – Shoulder	3	2	2	119130	Pulley – Flat Idler	2	16	1
6739	Stud Lift	6	2	1	933156	Pin – Spirol	5	7	1
101657	Idler Assembly – Front	5	*	1	9150076	Nut – Lock	5	16	1
101708	Trunnion	5	3	1	9202574	Washer – Special	4	4	2
101728	Support – Idler, Front	5	6	1	9267154	Bolt	3	13	2
101734	Spacer – Inner	5	12	1	9267154	Bolt	6	25	4
101757	Spacer – Outer	5	14	1	9267164	Bolt	3	6	2
101758	Hitch	6	20	1	9335044	Pin – Cotter	6	4	2
101777	Bar – Draft	6	13	2	9793604	Spacer – Transport Stop	6	15	2
101842	Rod – Adjustment	5	4	1	92-7103	Pulley – Idler	5	11	1
101851	Knob – Adjustment	5	8	1	92-7108	Decal – Danger	2	19	1
101853	Spring	3	4	1	92-7110	Decal – Danger	2	22	1
102322	Bumper – Rubber	6	10	2	92-7289	Deck – Mower	2	4	1
102431	Lever	3	5	1	92-7290	Extension – Chute	2	13	1
102570	Shaft – Front	6	22	1	92-8747	Decal	5	10	1
102582	Cover – Belt	5	15	1	92-9841	Rod – Lift	6	1	1
102597	Grip	3	3	1	93-1122	Decal – Danger	2	12	1
102809	Nut	6	5	4	302-16	Fitting – Grease	4	14	2
104975	Pulley – Idler, Flat	5	13	1	321-4	Bolt	2	10	2
105797	Ring – Retaining	5	2	2	3220-6	Nut – Jam	4	9	2
106067	Cup – Spindle	4	6	2	3220-7	Nut	4	1	2
106068	Spacer – Blade	4	17	2	3230-1	Bolt – Carriage	2	9	2
106392	Quadrant	3	8	1	3230-3	Bolt – Carriage	6	12	4
108187	Support – Gage Wheel L.H.	3	17	1	3231-2	Bolt – Carriage	6	23	4
108571	Washer – Spring	5	9	1	3231-6	Bolt – Carriage	2	1	1
108798	Roller – R.H.	2	6	1	3231-7	Bolt – Carriage	2	24	1
109911	Spindle Assembly	4	*	2	3231-25	Bolt – Carriage	6	11	4
109912	Shaft – Spindle	4	5	2	3232-3	Bolt – Carriage	6	19	2
109913	Housing – Spindle	4	13	2	3235-22	Bolt	4	7	8
109918	Blade	4	3	2	3253-8	Washer – Lock	4	10	2
109966	Bearing – Ball	4	12	4	3256-3	Washer	6	9	4
110200	Spacer	4	15	2	3256-6	Washer	2	18	2
110265	Drive – Belt	5	1	1	3256-23	Washer	2	7	2
110268	Leveler	6	21	1	3256-24	Washer	5	5	1
110506	Wheel	3	1	2	3256-24	Washer	2	15	1
110656	Trunnion	3	11	1	3256-24	Washer	3	19	1
110841	Clamp	3	7	1	3256-28	Washer – Special	4	2	2
110844	Rod	3	12	1	3272-6	Pin – Cotter	3	9	1
110847	Shaft – Roller R.H.	2	8	1	3272-10	Pin – Cotter	3	14	1
111044	Spacer	6	7	4	3272-12	Pin – Cotter	6	24	2
111169	Pulley – Blade	4	11	2	3272-21	Pin – Cotter	2	3	2
111172	Support – Gage Wheel R.H.	3	10	1	3296-29	Nut	6	8	4
111173	Roller – L.H.	2	2	1	3296-29	Nut	2	11	2
111174	Shaft – Roller L.H.	2	23	1	3296-39	Nut	6	3	5
111175	Bracket – Rear Deck	6	6	2	3296-39	Nut	2	14	2
111176	Bracket – Front	6	16	2	3296-39	Nut	3	16	2
111655	Decal – H.O.C.	3	18	1	3296-42	Nut	2	5	2
111769	Decal – Belt Installation	2	21	1	3296-48	Nut	6	14	2
112791	Pulley – Idler	2	20	1	32120-42	Ring – Snap	4	16	2
112930	Clamp	3	15	1					
115760	Spacer	2	17	1					

*Not Illustrated