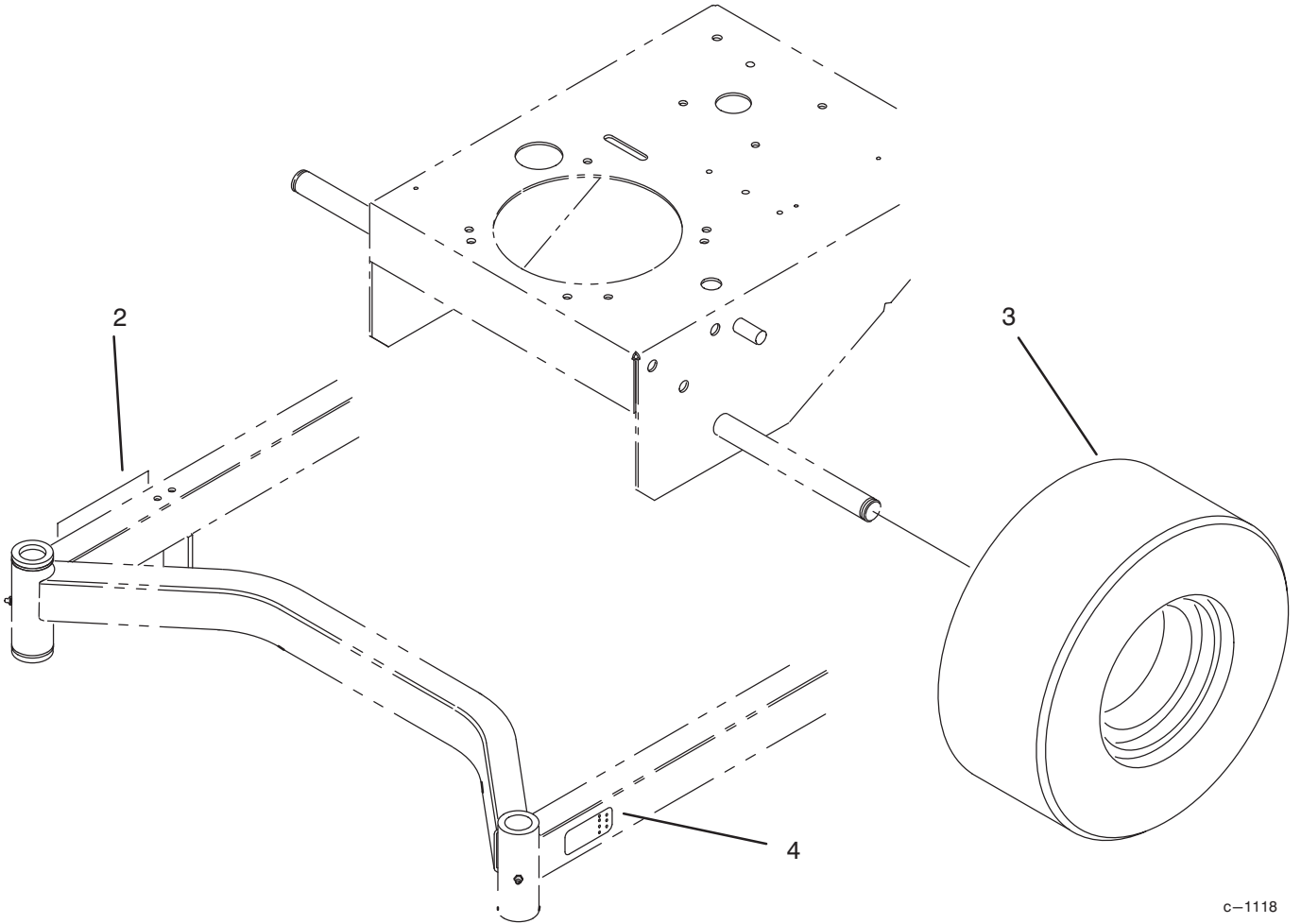




MODEL NO. 30158	<b>PARTS CATALOG</b>
<b>ProLine 1" – 4" HEIGHT OF CUT KIT</b>	



c-1118

### BLADE ASSEMBLY

Ref. No.	Part No.	Description	No. Used
2	74-0940	Decal – H.O.C. R.H.	1
3	231-111	Tire	2

Ref. No.	Part No.	Description	No. Used
4	68-8360	Decal – H.O.C. L.H.	1