



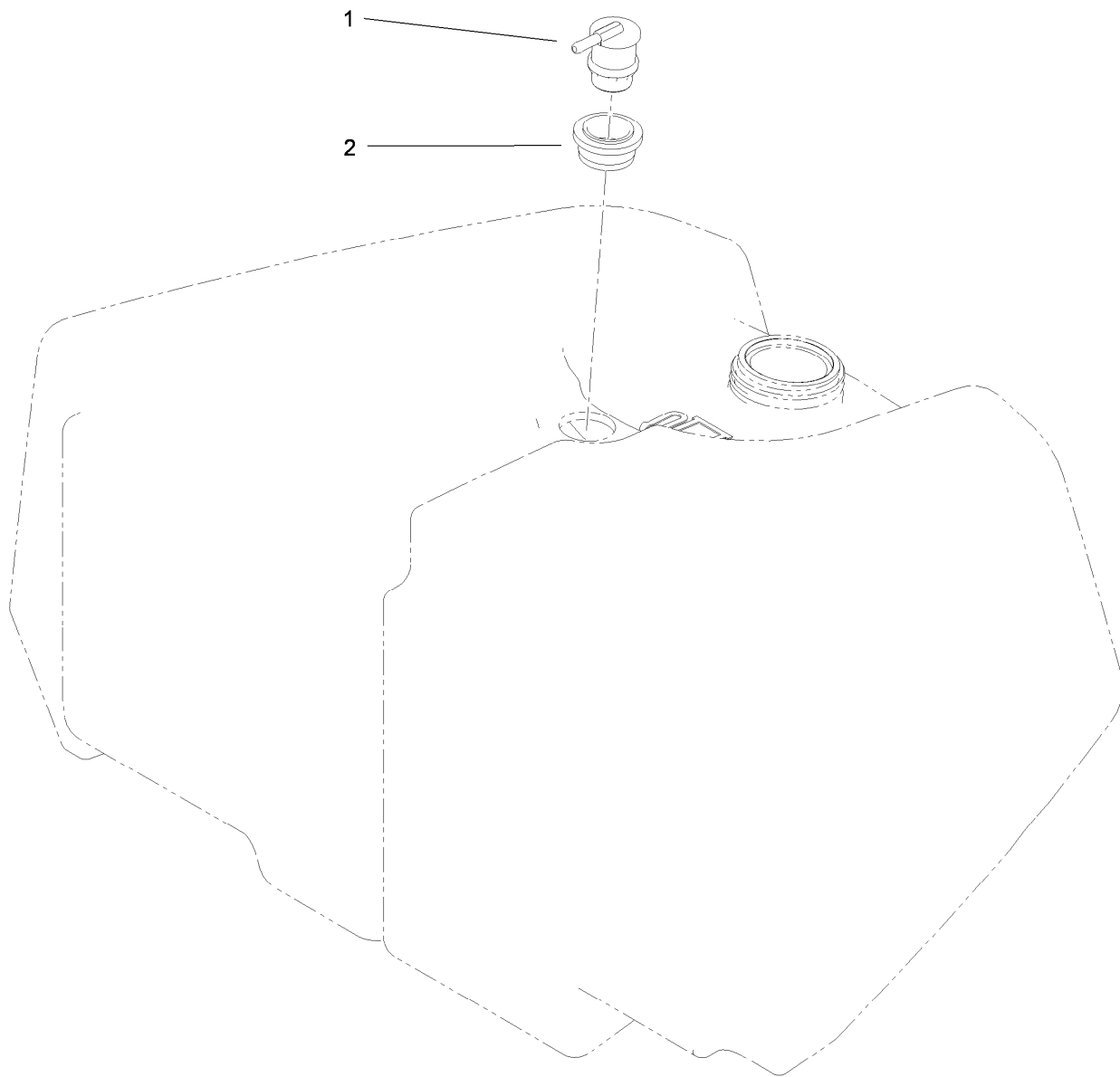
**Count on it.**

**Parts Catalog**

**Fuel Tank Vent Kit**

**Greensmaster® 3150 2-Wheel Drive Traction Unit**

**Model No. 119-3521**



## Fuel Tank Kit Assembly No. 119-3521

<i>Ref.</i>	<i>Part Number</i>	<i>Qty.</i>	<i>Description</i>
1	119-7825	1	Valve-Vent, Fuel
2	114-0284	1	Grommet