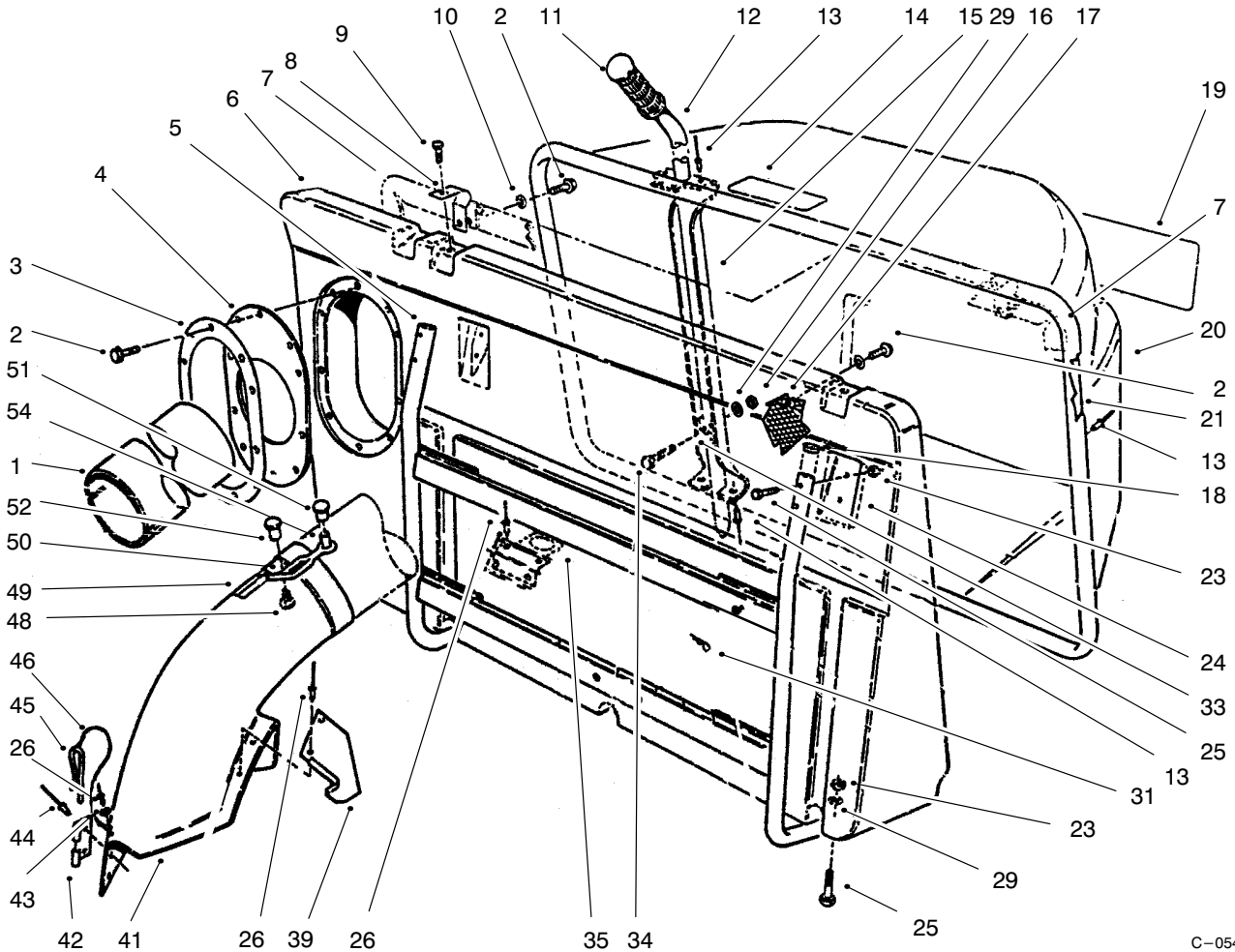


EASY-EMPTY GRASS CATCHER

FOR REAR ENGINE RIDERS AND LAWN TRACTORS WITH 32" DECKS

MODEL NO. 79096-6900001-8900001 & UP

**PARTS
CATALOG**

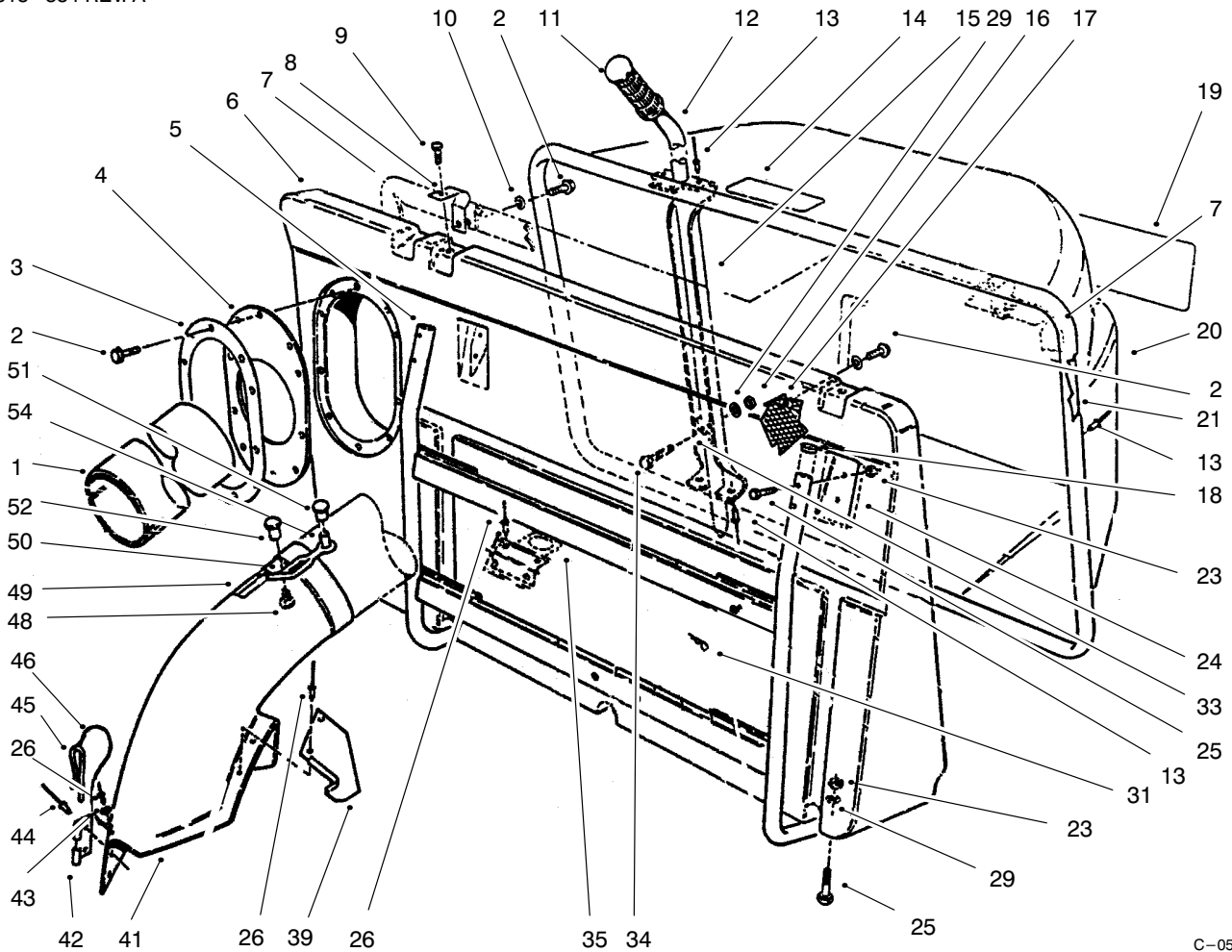


C-0545C

EASY-EMPTY GRASS CATCHER

| Ref. No. | Part No. | Description | No. Used |
|----------|----------|----------------------|----------|
| 1 | 68-3044 | Duct | 1 |
| 2 | 32144-34 | Screw - Self Tapping | 30 |
| 3 | 28-7760 | Ring - Retaining | 1 |
| 4 | 28-7770 | Seal | 1 |
| 5 | 74-3320 | Frame | 1 |
| 6 | 72-2510 | Bag - Front | 1 |
| 7 | 72-2640 | Seal | 1 |
| 8 | 72-2540 | Bracket - Hinge | 2 |
| 9 | 321-39 | Screw - Button Head | 4 |
| 10 | 3256-61 | Washer - Flat | 20 |
| 11 | 235-21 | Grip - Handle | 1 |
| 12 | 72-2660 | Handle - Dump | 1 |
| 13 | 3269-4 | Rivet - Pop | 18 |
| 14 | 92-2511 | Decal - Warning | 1 |

| Ref. No. | Part No. | Description | No. Used |
|----------|----------|-----------------------|----------|
| 15 | 72-2630 | Channel - Dump Handle | 1 |
| 16 | 3296-42 | Nut - Lock | 1 |
| 17 | 28-7840 | Screen Bag | 1 |
| 18 | 2410-70 | Plug | 6 |
| 19 | 92-1754 | Decal - Easy-Empty | 1 |
| 20 | 72-2520 | Basket - Grass | 1 |
| 21 | 72-2650 | Frame - Grass Basket | 2 |
| 23 | 3296-42 | Nut - Lock | 8 |
| 24 | 72-2620 | Plate - Backup | 2 |
| 25 | 321-10 | Bolt | 8 |
| 26 | 3290-282 | Rivet - Pop | 4 |
| 29 | 3256-55 | Washer - Flat | 5 |
| 31 | 3290-355 | Pin - Cotter | 2 |
| 33 | 72-2550 | Guide - Dump Handle | 1 |

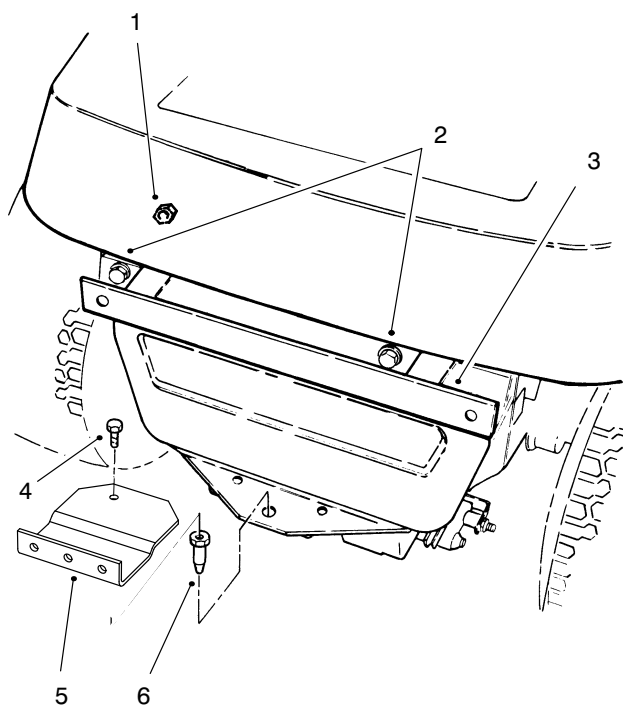


C-0545C

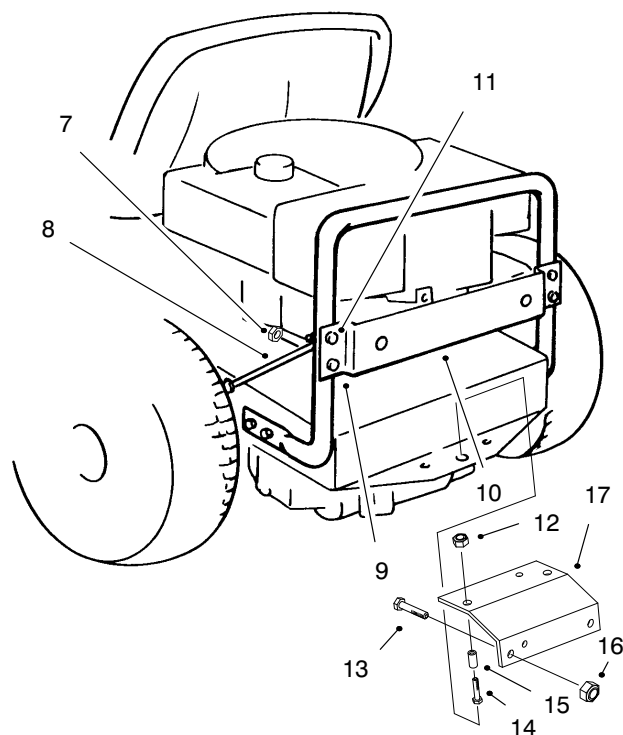
EASY-EMPTY GRASS CATCHER

| Ref. No. | Part No. | Description | No. Used |
|----------|----------|---|----------|
| 34 | 321-11 | Bolt | 1 |
| 35 | 72-2530 | Latch | 1 |
| 39 | 33-2090 | Bracket - Chute Support | 1 |
| 41 | 28-8060 | Chute Ass'y. (Incl. Ref.#26, 39, 42-46, 48, 49, & 52) | 1 |
| 42 | 28-8050 | Bracket - Chute Mounting | 1 |
| 43 | 3256-49 | Washer | 1 |
| 44 | 3290-412 | Rivet - Pop | 4 |

| Ref. No. | Part No. | Description | No. Used |
|----------|-----------|------------------|----------|
| 45 | 28-8130 | Pin - Chute | 1 |
| 46 | 28-8070 | Lanyard | 1 |
| 48 | 32144-112 | Screw | 1 |
| 49 | 93-1122 | Decal - Danger | 1 |
| 50 | 82-5690 | Retainer - Duct | 1 |
| 51 | 22-9741 | Spacer | 1 |
| 52 | 233-68 | Knob | 1 |
| 54 | 3290-479 | Fastener - Panel | 1 |

FRONT ENGINE

827

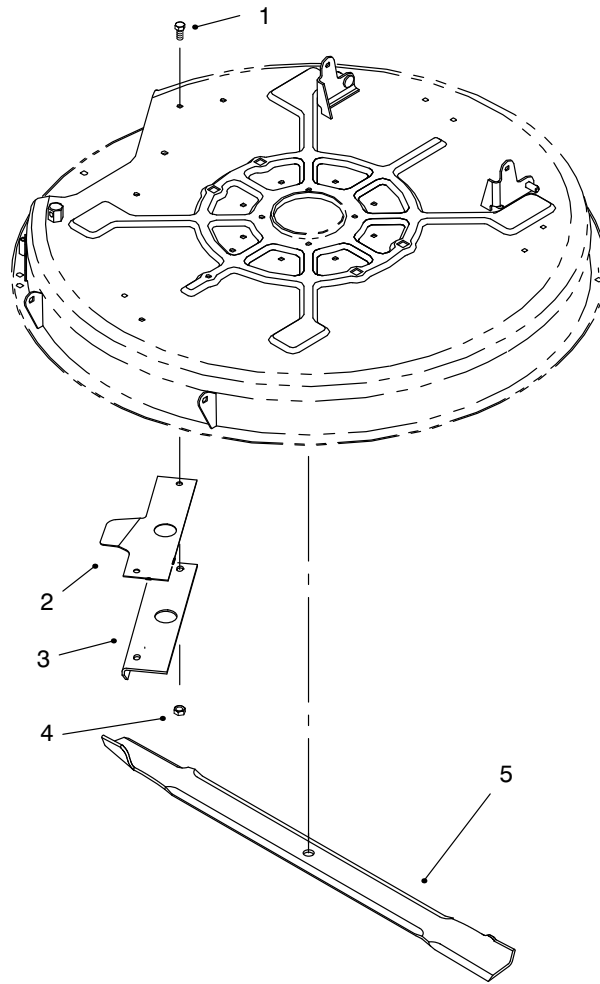
REAR ENGINE

826

MOUNTING HARDWARE

| Ref. No. | Part No. | Description | No. Used |
|----------|----------|---------------------------|----------|
| 1 | 3296-29 | Nut | 2 |
| 2 | 322-5 | Capscrew | 4 |
| 3 | 94-1976 | Bracket - Channel | 1 |
| 4 | 322-3 | Capscrew | 1 |
| 5 | 94-1979 | Bracket - Bagger Mounting | 1 |
| 6 | 25-1530 | Pin - Mounting, Lower | 1 |
| 7 | 3296-29 | Nut | 4 |
| 8 | 88-9760 | Brace - Bagging | 1 |
| 9 | 322-7 | Capscrew | 3 |

| Ref. No. | Part No. | Description | No. Used |
|----------|----------|---------------------|----------|
| 10 | 88-9770 | Plate - Bagging Kit | 1 |
| 11 | 322-9 | Capscrew | 1 |
| 12 | 3296-42 | Nut - Lock | 1 |
| 13 | 322-3 | Screw - Hex Hd. Cap | 2 |
| 14 | 321-10 | Screw - Hex Hd. Cap | 1 |
| 15 | 63-7270 | Spacer | 1 |
| 16 | 3296-29 | Nut - Lock | 2 |
| 17 | 72-2560 | Bracket - Latch | 1 |



C-2447

BAFFLE & BLADE ASSEMBLY

| Ref. No. | Part No. | Description | No. Used |
|----------|----------|---------------------|----------|
| 1 | 322-3 | Screw - Hex Hd. Cap | 2 |
| 2 | 92-2494 | Ramp - Deflector | 1 |
| 3 | 44-5720 | Baffle - Deck | 1 |

| Ref. No. | Part No. | Description | No. Used |
|----------|----------|-------------|----------|
| 4 | 3296-29 | Nut - Lock | 2 |
| 5 | 33-4750 | Blade - 32" | 1 |

TORO PART NUMBER INDEX

3318-384 REV. A

| Part No. | Description | Pg. No. | Ref. No. | Qty. | Part No. | Description | Pg. No. | Ref. No. | Qty. |
|----------|--------------------------|---------|----------|------|-----------|---------------------------|---------|----------|------|
| 22-9741 | Spacer | 2 | 51 | 1 | 94-1976 | Bracket - Channel | 3 | 3 | 1 |
| 25-1530 | Pin - Mounting, Lower | 3 | 6 | 1 | 94-1979 | Bracket - Bagger Mounting | 3 | 5 | 1 |
| 28-7760 | Ring - Retaining | 1 | 3 | 1 | 233-68 | Knob | 2 | 52 | 1 |
| 28-7770 | Seal | 1 | 4 | 1 | 235-21 | Grip - Handle | 1 | 11 | 1 |
| 28-7840 | Screen Bag | 1 | 17 | 1 | 2410-70 | Plug | 1 | 18 | 6 |
| 28-8050 | Bracket - Chute Mounting | 2 | 42 | 1 | 321-10 | Bolt | 1 | 25 | 8 |
| 28-8060 | Chute Ass'y. | 2 | 41 | 1 | 321-10 | Screw - Hex Hd. Cap | 3 | 14 | 1 |
| 28-8070 | Lanyard | 2 | 46 | 1 | 321-11 | Bolt | 2 | 34 | 1 |
| 28-8130 | Pin - Chute | 2 | 45 | 1 | 321-39 | Screw - Button Head | 1 | 9 | 4 |
| 33-2090 | Bracket - Chute Support | 2 | 39 | 1 | 322-3 | Capscrew | 3 | 4 | 1 |
| 33-4750 | Blade - 32 | 4 | 5 | 1 | 322-3 | Screw - Hex Hd. Cap | 4 | 1 | 2 |
| 44-5720 | Baffle - Deck | 4 | 3 | 1 | 322-3 | Screw - Hex Hd. Cap | 3 | 13 | 2 |
| 63-7270 | Spacer | 3 | 15 | 1 | 322-5 | Capscrew | 3 | 2 | 4 |
| 68-3044 | Duct | 1 | 1 | 1 | 322-7 | Capscrew | 3 | 9 | 3 |
| 72-2510 | Bag - Front | 1 | 6 | 1 | 322-9 | Capscrew | 3 | 11 | 1 |
| 72-2520 | Basket - Grass | 1 | 20 | 1 | 3256-49 | Washer | 2 | 43 | 1 |
| 72-2530 | Latch | 2 | 35 | 1 | 3256-55 | Washer - Flat | 1 | 29 | 5 |
| 72-2540 | Bracket - Hinge | 1 | 8 | 2 | 3256-61 | Washer - Flat | 1 | 10 | 20 |
| 72-2550 | Guide - Dump Handle | 1 | 33 | 1 | 3269-4 | Rivet - Pop | 1 | 13 | 18 |
| 72-2560 | Bracket - Latch | 3 | 17 | 1 | 3290-282 | Rivet - Pop | 1 | 26 | 4 |
| 72-2620 | Plate - Backup | 1 | 24 | 2 | 3290-355 | Pin - Cotter | 1 | 31 | 2 |
| 72-2630 | Channel - Dump Handle | 1 | 15 | 1 | 3290-412 | Rivet - Pop | 2 | 44 | 4 |
| 72-2640 | Seal | 1 | 7 | 1 | 3290-479 | Fastener - Panel | 2 | 54 | 1 |
| 72-2650 | Frame - Grass Basket | 1 | 21 | 2 | 3296-29 | Nut | 3 | 1 | 2 |
| 72-2660 | Handle - Dump | 1 | 12 | 1 | 3296-29 | Nut | 3 | 7 | 4 |
| 74-3320 | Frame | 1 | 5 | 1 | 3296-29 | Nut - Lock | 4 | 4 | 2 |
| 82-5690 | Retainer - Duct | 2 | 50 | 1 | 3296-29 | Nut - Lock | 3 | 16 | 2 |
| 88-9760 | Brace - Bagging | 3 | 8 | 1 | 3296-42 | Nut - Lock | 3 | 12 | 1 |
| 88-9770 | Plate - Bagging Kit | 3 | 10 | 1 | 3296-42 | Nut - Lock | 1 | 16 | 1 |
| 92-1754 | Decal - Easy-Empty | 1 | 19 | 1 | 3296-42 | Nut - Lock | 1 | 23 | 8 |
| 92-2494 | Ramp - Deflector | 4 | 2 | 1 | 32144-34 | Screw - Self Tapping | 1 | 2 | 30 |
| 92-2511 | Decal - Warning | 1 | 14 | 1 | 32144-112 | Screw | 2 | 48 | 1 |
| 93-1122 | Decal - Danger | 2 | 49 | 1 | | | | | |

*Not Illustrated

