



Count on it.

Parts Catalog

Power Max 826 OE Snowthrower

Model No. 38629—Serial No. 311000001 and Up

Ordering Replacement Parts

To order replacement parts, please supply the part number, the quantity, and the description of each part desired.

Understanding Reference Numbers

Each identified part in an illustration has a reference number. The reference number for a part also appears in the parts list, along with other information about the part.

This catalog uses two special reference number formats, one to indicate parts in a service assembly and another to indicate the quantity of a given part in an illustration.

Service Assembly Reference Numbers

Parts in service assemblies have reference numbers in the form a:b. The a represents the reference number of the entire service assembly and the b represents a sequential number unique to each part within the service assembly.

For example, a wheel assembly might be identified by reference number 6, the tire by 6:1, the valve by 6:2, and the wheel by 6:3. When you order the assembly identified by reference number 6, you receive all parts identified by reference numbers 6:1, 6:2, and 6:3. However, you may also order any part individually. Reference numbers of this type appear in illustration and in parts lists.

Reference Numbers Indicating Quantity

In an illustration, if a reference number indicates more than one part, the reference number has the form nX y. The n represents the quantity of the part, the X is the multiplication symbol, and the y represents the reference number.

For example, in an illustration, the reference number 2X 37 means that two of the parts identified by reference number 37 are indicated.

List of Abbreviations

AR: as required

ASM: assembly

BBC: blade brake control

BHTF: button head thread forming

CARR: carriage

CCW: counter clockwise

CW: clockwise

DEG: degrees

ECM: electronic control module

EXT: external

FH: flat head

GA: gauge

HD: heavy-duty

HF: hex flange

HH: hex head

HHF: hex head flange

HHFTF: hex head flange thread forming

HJ: hex jam

HLH: hex lag head

HOC: height-of-cut

HSBH: hex socket button head

HSFH: hex socket flat head

HSH: hex socket head

HWH: hex washer head

HWHTF: hex washer head thread forming

HYD: hydraulic

LH: left hand

LP: Liquid Propane

NI: nylon insert

NPTF: national pipe thread fine

PFH: phillips flat head

PPH: phillips pan head

PPHTF: phillips pan head thread forming

PRH: phillips round head

PTH: phillips truss head

PTO: power-take-off

RH: right hand

ROPS: roll-over protection system

RRB: rear roller brush

SFH: slotted fillister head

SHH: slotted hex head

SHWH: slotted hex washer head

SPH: slotted pan head

SQH: square head

SRH: slotted round head

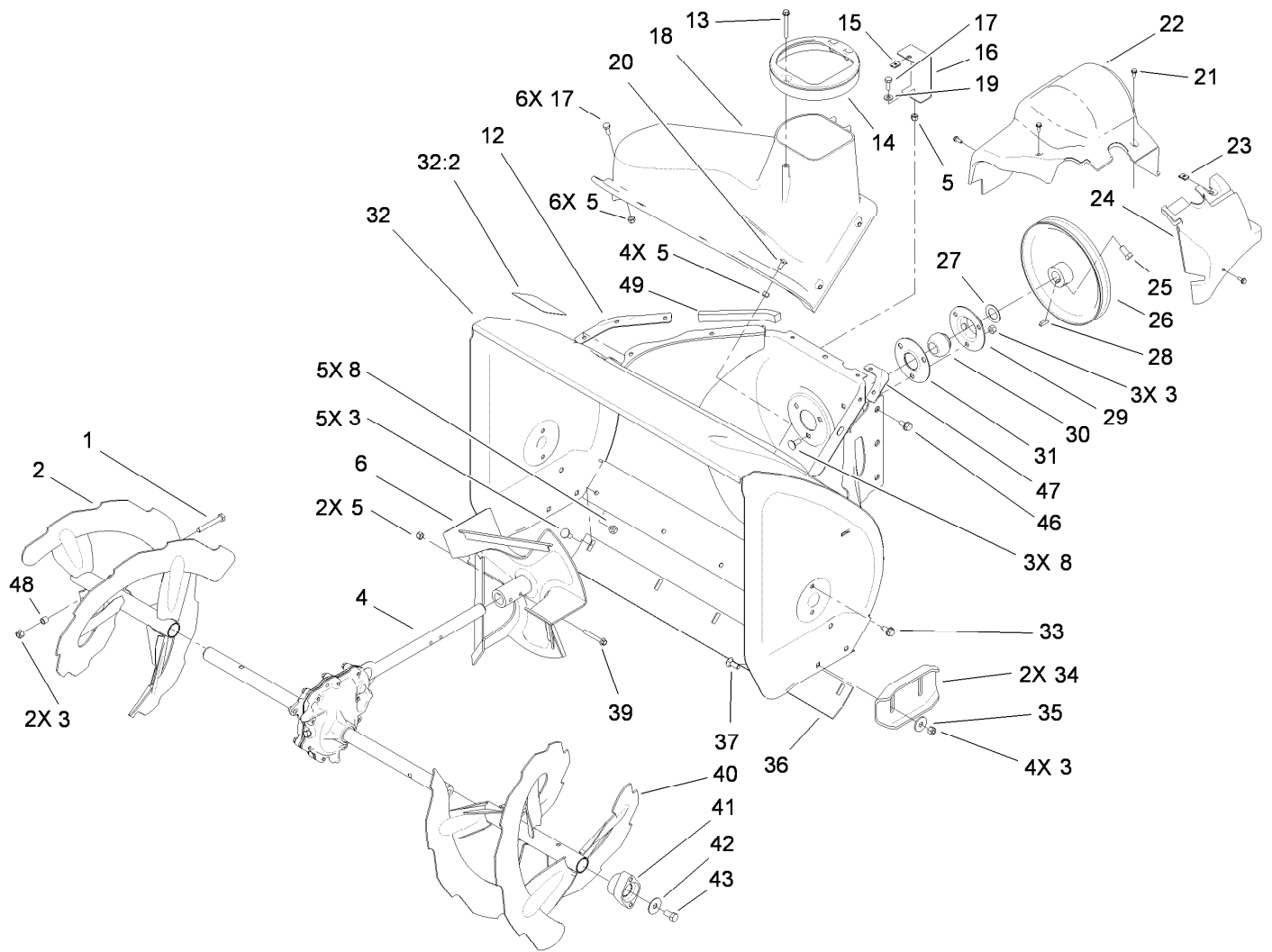
STD: standard

TAP: self tapping

TTH: torx truss head

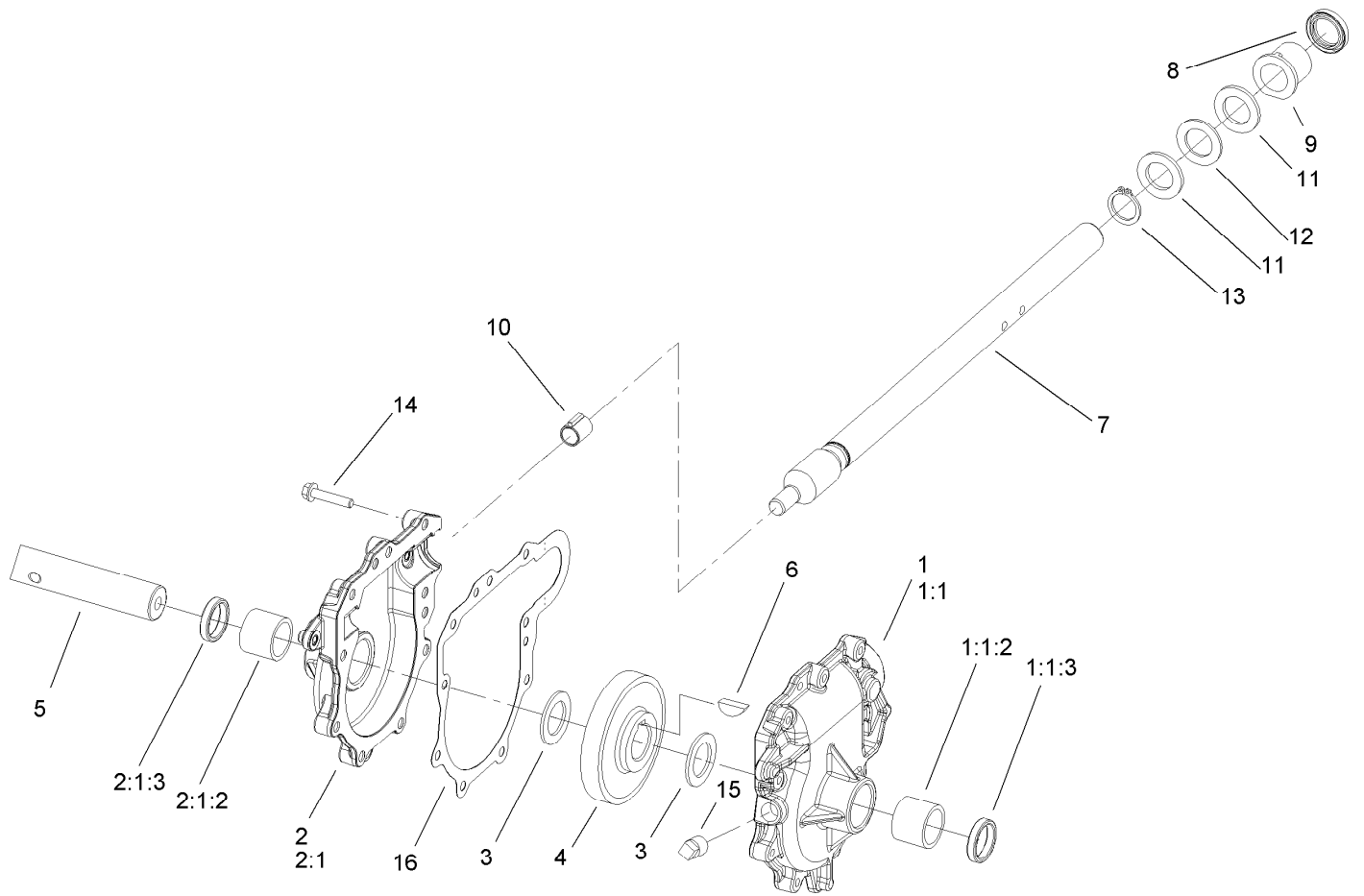
Contents

Auger and Housing Assembly	4
26 Inch Auger Gearcase Assembly No. 108-7328	6
Chute Assembly	7
Auger and Housing Assembly	8
Frame Assembly	9
Handle Assembly	10
Handle Assembly	11
Lever Chute Control Assembly	12
Engine Assembly	13
Attachments and Accessories	14



Auger and Housing Assembly (continued)

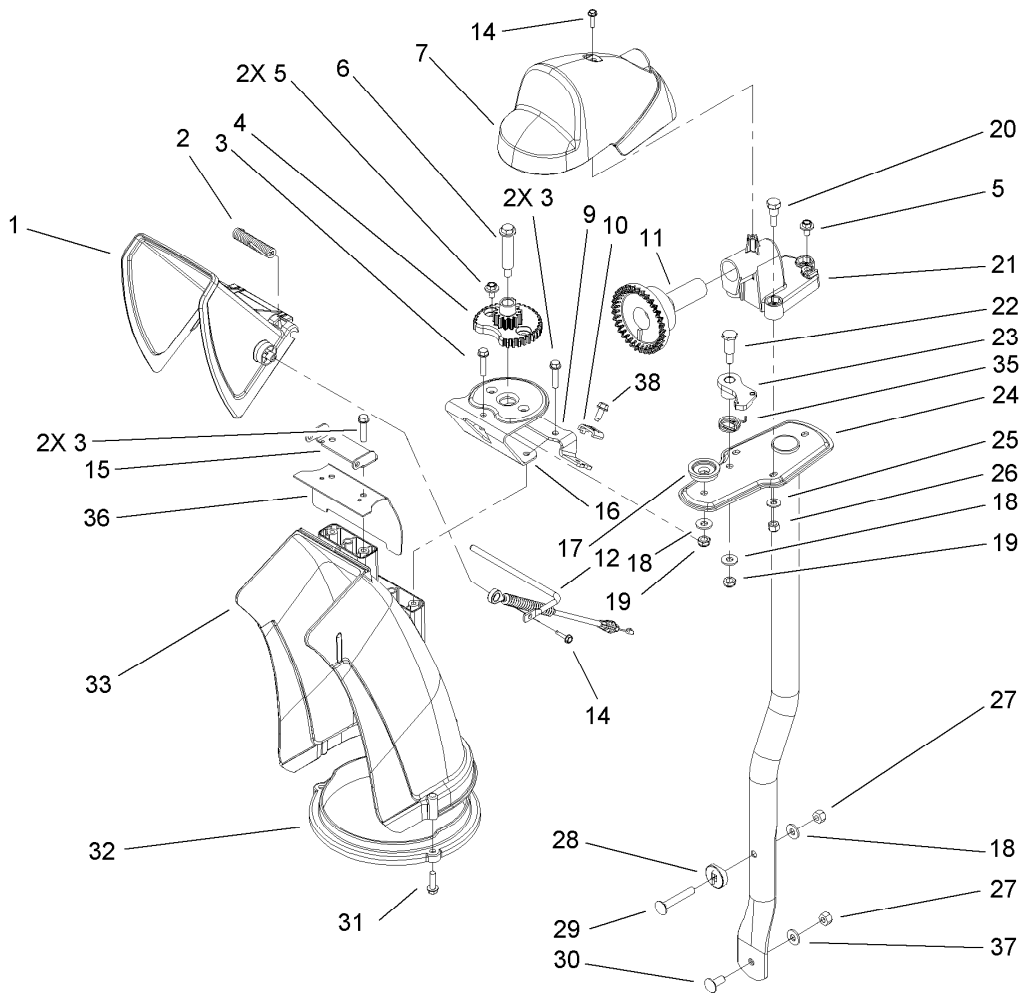
Ref.	Part Number	Qty.	Description
48	1-633545	2	Spacer
49	120-0124	1	Seal-Housing



26 Inch Auger Gearcase Assembly No. 108-7328

Ref.	Part Number	Qty.	Description
1	108-7325	1	LH Auger Gearcase ASM
1:1		1	Gearcase-Auger, LH ●
1:1:2	112-6635	1	Bushing-Sleeve
1:1:3	7-0045	1	Seal-Oil
2	108-7327	1	RH Auger Gearcase ASM
2:1		1	Gearcase-Auger, RH ●
2:1:2	112-6635	1	Bushing-Sleeve
2:1:3	7-0045	1	Seal-Oil
3	252-71	2	Washer-Thrust
4	62-0120	1	Gear-Helical
5	106-4579	1	Shaft-Auger
6	3257-10	1	Key-Woodruff
7	66-7811	1	Shaft-Impeller
8	253-149	1	Seal-Oil
9	37-6560	1	Bushing-Input
10	62-1150	1	Bushing-Worm
11	252-78	2	Washer-Thrust
12	252-76	1	Bearing-Thrust
13	32151-33	1	Ring-Retaining, EXT
14	108-4862	9	Screw-HWHTF
15	281-1	1	Plug-Pipe, SQH
16	108-7330	1	Gasket-Gearcase, Auger

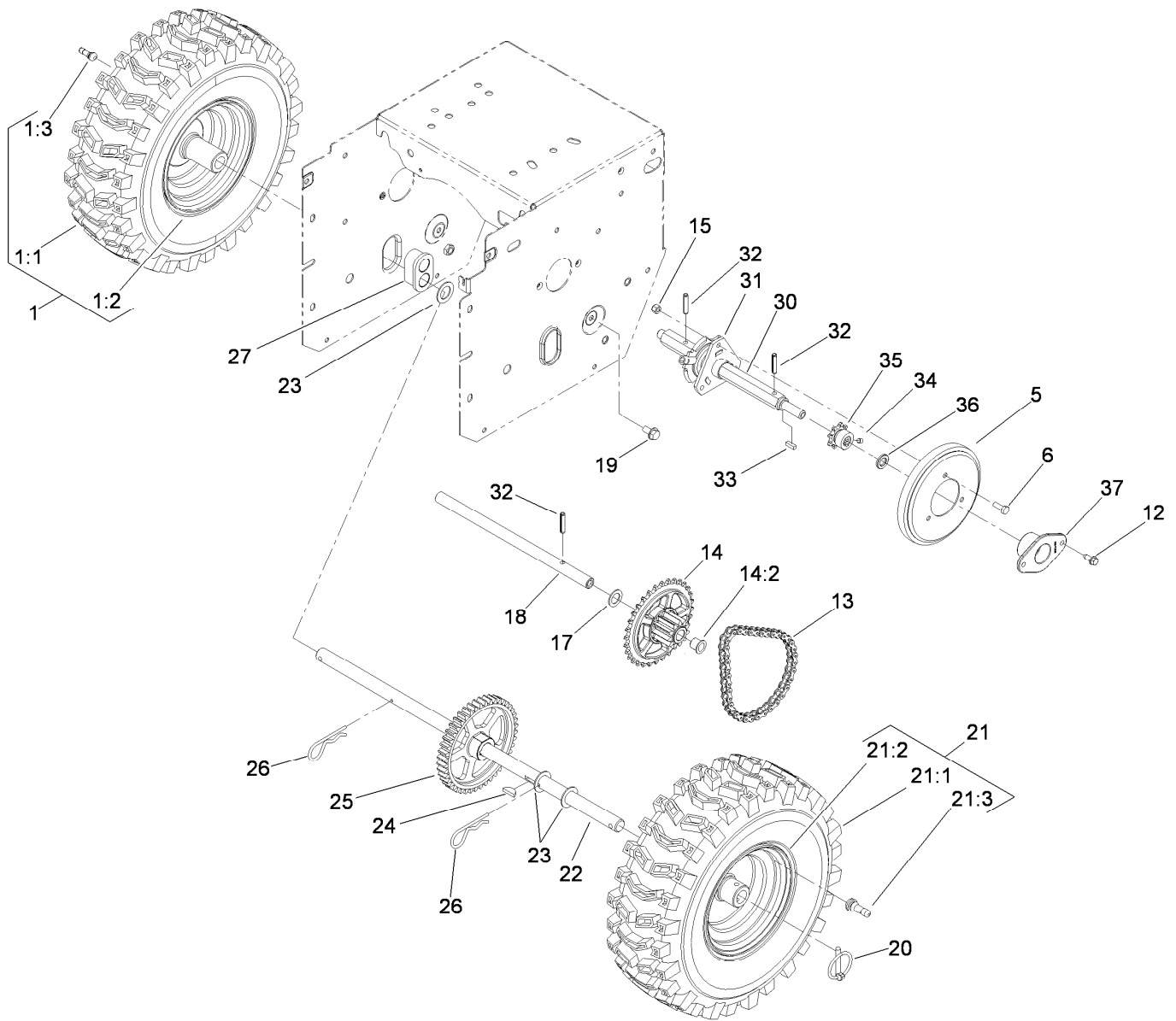
● Not serviced separately



Chute Assembly

<i>Ref.</i>	<i>Part Number</i>	<i>Qty.</i>	<i>Description</i>
1	112-6629	1	Deflector-Chute, Ce
2	106-4594	1	Spring-Torsion
3	46-8092	5	Screw-Plastite
4	106-4472	1	Gear-Chute
5	46-6810	3	Screw And Washer ASM
6	100-9880	1	Bolt-Shoulder
7	106-4585	1	Cover-Gear, Chute
9	106-7296	1	Bracket-Cable, Clamp
10	106-7297	1	Clamp-Cable
11	106-4471	1	Gear-Face
12	107-1021	1	Rod-Deflector
14	98-1375	2	Screw-HWH
15	106-7266	1	Bracket-Deflector
16	106-4582-03	1	Bracket-Support, Chute
17	106-4422	1	Spacer-Chute
18	3256-2	3	Washer-Flat
19	3296-47	2	Nut-Lock, NI
20	106-7276	3	Screw-Shoulder

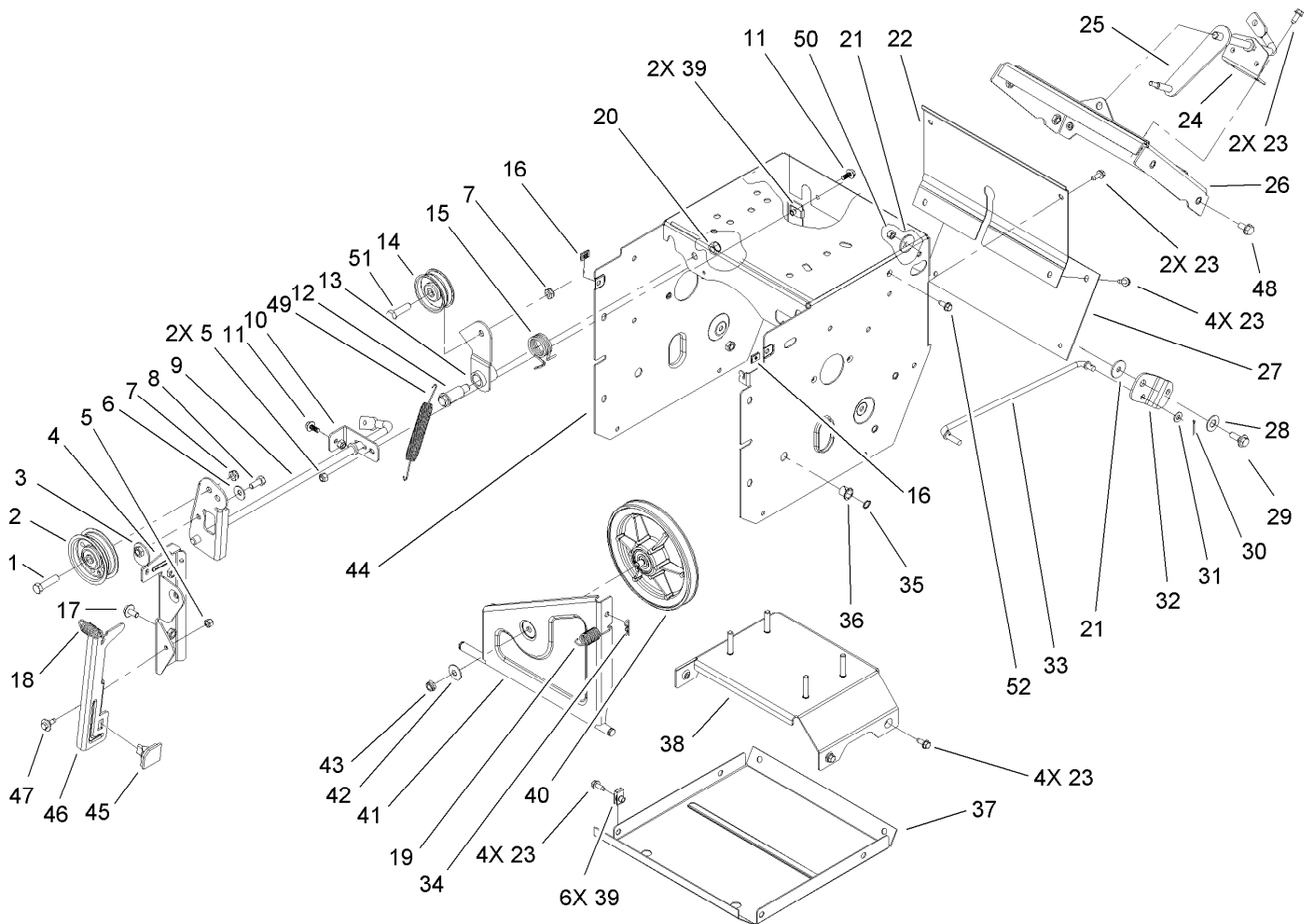
<i>Ref.</i>	<i>Part Number</i>	<i>Qty.</i>	<i>Description</i>
21	106-7257	1	Mount-Gear, Face
22	63-2650	1	Screw-Shoulder
23	106-4476	1	Latch-Chute
24	106-7253-03	1	Tube-Support
25	3256-22	3	Washer-Flat
26	3296-42	3	Nut-Lock, NI
27	3296-29	2	Nut-Lock, NI
28	106-7260	1	Washer-Curved
29	3230-5	1	Screw-CARR
30	3230-23	1	Screw-CARR
31	46-8091	3	Screw-HWH
32	105-9991	1	Ring-Chute
33	106-4440	1	Chute-Discharge
35	108-7315	1	Spring-Torsion
36	108-5052	1	Seal-Chute
37	3290-456	1	Washer-Belleville
38	32144-10	1	Screw-HWH



Auger and Housing Assembly

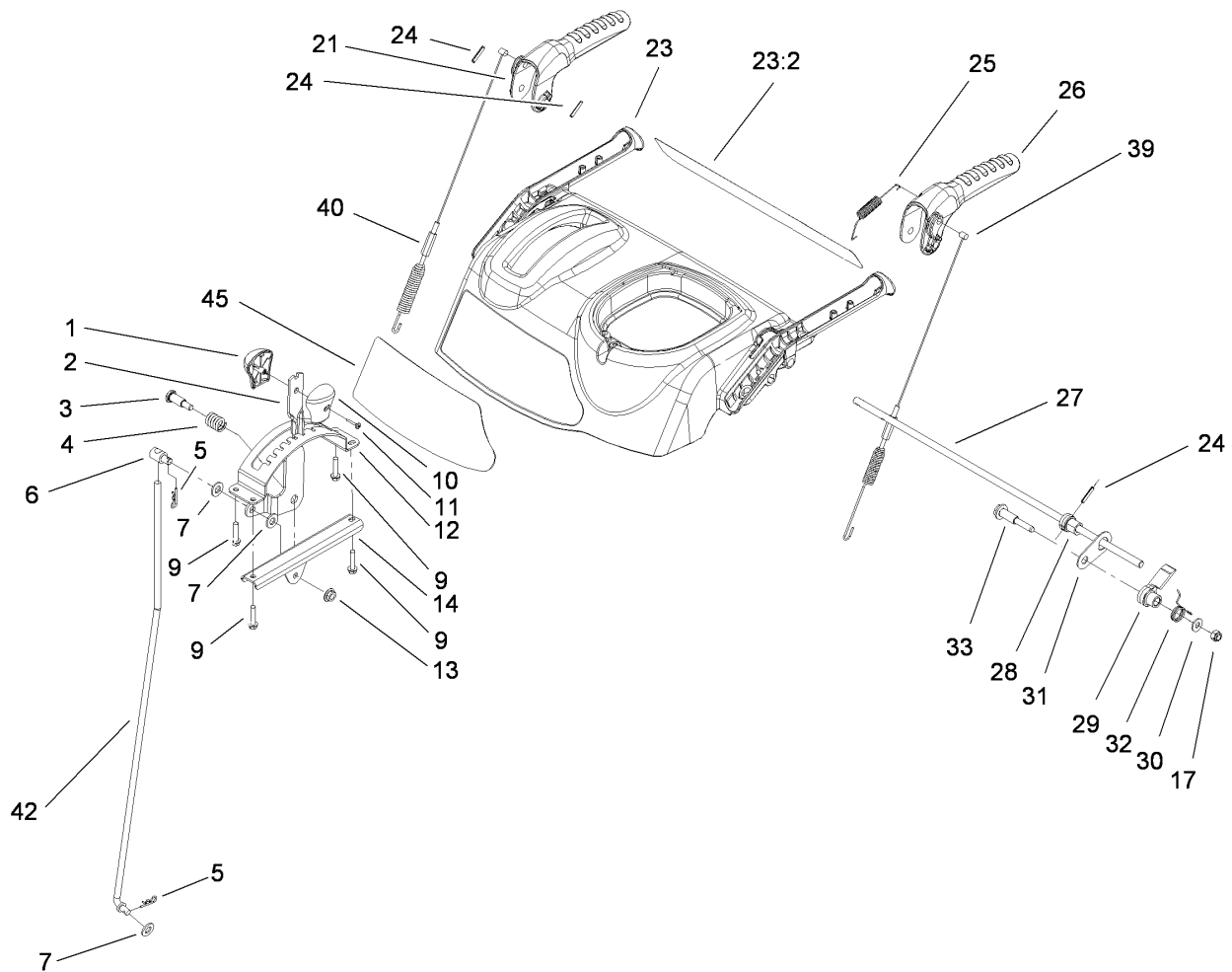
Ref.	Part Number	Qty.	Description	Ref.	Part Number	Qty.	Description
1		1	RH Wheel And Tire ASM ●	21:1	107-3042	1	Tire
1:1	107-3042	1	Tire	21:2	107-3043	1	Rim-Tire
1:2	107-3043	1	Rim-Tire	21:3	232-27	1	Stem-Valve
1:3	232-27	1	Stem-Valve	22	106-4449	1	Shaft-Axle
5	119-1567	1	Wheel-Friction	23	3-8664	3	Washer-Thrust
6	321-4	3	Screw-HH	24	3257-7	1	Key-Woodruff
12	32144-10	4	Screw-HWH	25	106-4572	1	Gear-Axle, 44 Tooth
13	108-0016	1	Chain-Roller	26	3290-343	2	Pin-Hair
13	2710-6	1	Link-Connecting	27	106-4558	2	Bearing-Axle
14	108-0013	1	Sprocket ASM	30	108-5054	1	Shaft-Hex
14:2	108-2974	2	Bushing-Flange	31	106-4434	1	Trunion-Hex
15	3296-42	3	Nut-Lock, NI	32	32121-9	3	Pin-Roll, Slotted
17	107-3041	1	Washer-Flat	33	94-8850	1	Key-Square
18	106-4592	1	Shaft-Intermediate	34	3245-32	2	Screw-HSH
19	32144-14	2	Screw-HWHTF	35	106-7317	1	Sprocket-8 Tooth
20	107-3039	2	Klik Pin ASM	36	108-5059	1	Spacer-Bushing
21		1	LH Wheel And Tire ASM ●	37	108-7319	2	Retainer-Bearing

● Not serviced separately



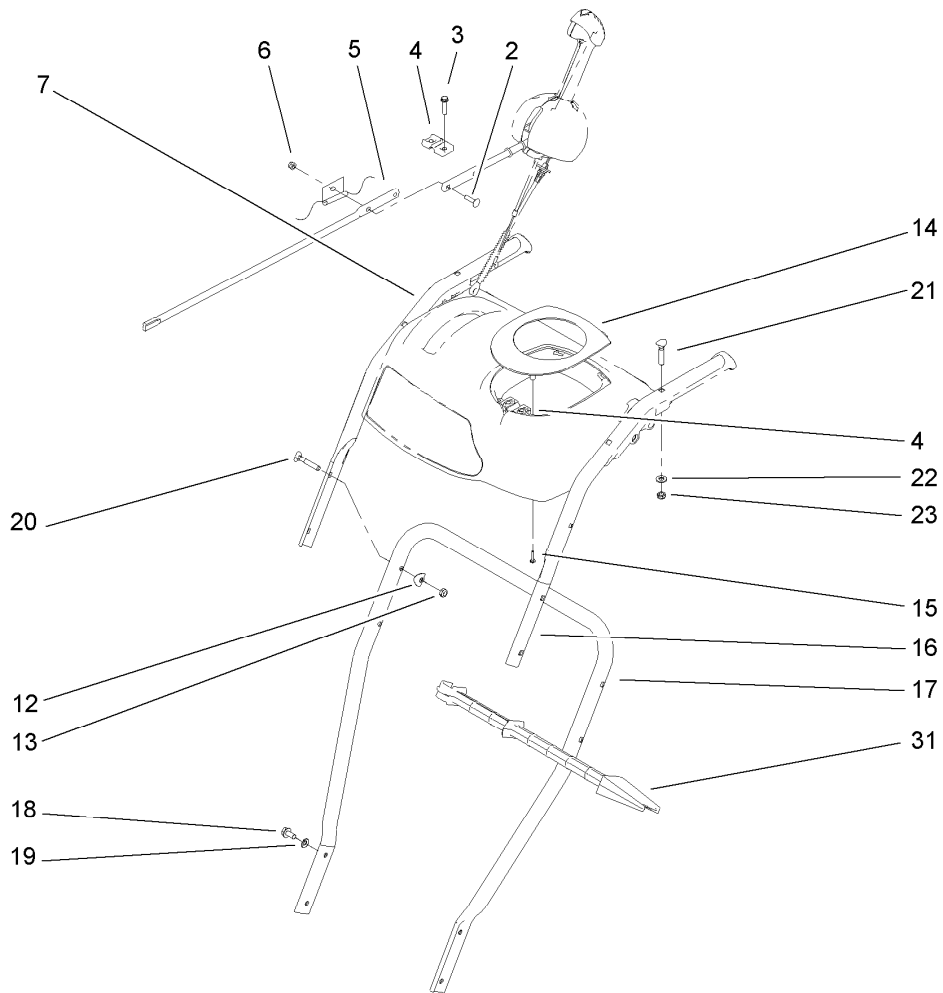
Frame Assembly

<i>Ref.</i>	<i>Part Number</i>	<i>Qty.</i>	<i>Description</i>	<i>Ref.</i>	<i>Part Number</i>	<i>Qty.</i>	<i>Description</i>
1	323-8	1	Screw-HH	27	106-7345-01	1	Cover-Lower
2	92-7104	1	Pulley-Idler	28	25-5640	1	Washer
3	107-1047	1	Nut	29	27-0410	1	Screw-Shoulder
4	107-1039	1	Bracket-Idler, Impeller	30	3272-4	1	Pin-Cotter
5	3296-42	3	Nut-Lock, NI	31	3256-23	1	Washer-Flat
6	3290-456	1	Washer-Belleville	32	107-1011	1	Bellcrank-Drive
7	3296-59	2	Nut-Lock, NI	33	106-4467	1	Link-Control, Speed
8	322-3	1	Screw-HH	34	3290-307	1	Pin-Hair
9	107-3838-03	1	Impeller Clutch ASM	35	32151-61	2	Ring-Retaining
10	106-7341	1	Bracket-Rear, Clutch	36	256-257	2	Bushing-Nyliner
11	99-6810	2	Screw-HH	37	106-7330-01	1	Pan-Bottom
12	108-5056	1	Bolt-Shoulder	38	112-8128	1	Frame Brace ASM
13	108-5058	1	Arm-Idler, Traction	39	107069	8	Clip
14	3-4244	1	Pulley-Idler	40	108-0031	1	Traction Pulley ASM
15	108-7332	1	Spring-Torsion	41	108-7307	1	Friction Wheel Bracket ASM
16	107-1013	2	Nut-Speed, U-Type	42	3290-340	1	Washer-Belleville
17	3234-7	2	Screw-HHF	43	3296-5	1	Nut-Lock
18	107-1045	1	Spring-Extension	44	114-9259-01	1	Traction Frame ASM
19	107-1003	1	Spring-Extension	45	66-8060	1	Pad-Brake
20	3296-76	1	Nut-Lock, NI	46	107-1000	1	Arm-Brake
21	5-4460	2	Washer-Pivot	47	92-9698	1	Screw-Shoulder
22	106-4556-01	1	Cover-Upper	48	32144-14	4	Screw-HWHTF
23	32144-10	16	Screw-HWH	49	108-2976	1	Spring-Extension
24	108-0036	1	Bracket-Rod, Shift	50	3296-29	1	Nut-Lock, NI
25	106-7268	1	Lever-Control, Traction	51	323-29	1	Screw-HH
26	108-0026-01	1	Shift Plate ASM	52	32144-4	1	Screw-HWH



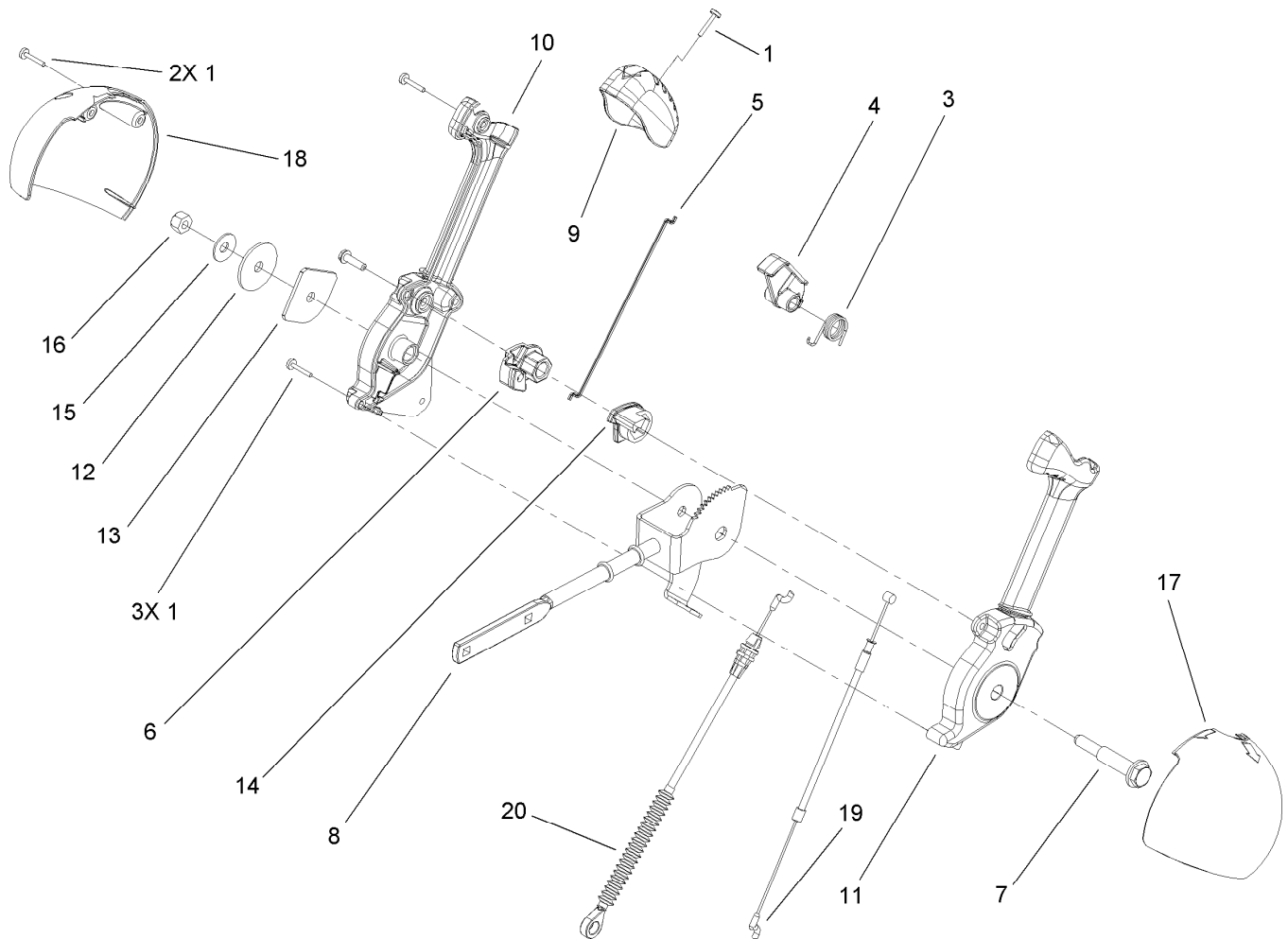
Handle Assembly

Ref.	Part Number	Qty.	Description	Ref.	Part Number	Qty.	Description
1	106-4423	1	Knob-Shift, RH	23:2	112-6626	1	Decal-Panel, Control
2	106-7278-03	1	Selector-Speed	24	32121-125	3	Pin-Spring
3	63-2650	1	Screw-Shoulder	25	107-3001	1	Spring-Tension
4	108-7313	1	Spring-Compression	26	106-4410	1	Lever-Traction
5	3290-307	2	Pin-Hair	27	105-9996	1	Rod-Lockout
6	110-3446	1	Trunion-Rod	28	107-1043	1	Cam-Lockout
7	3256-24	3	Washer-Flat	29	108-0023	1	Latch-Lockout
9	46-8092	4	Screw-Plastite	30	98-3499	1	Washer-Flat
10	105-9999	1	Knob-Shift, LH	31	107-3000	1	Link-Lockout
11	94-4496	1	Screw-PPH	32	108-0024	1	Spring-Torsion
12	106-7277-03	1	Guide-Selector, Speed	33	106-4412	1	Screw-Shoulder
13	32128-13	1	Nut-HF	39	120-0132	1	Cable-Traction
14	106-7279-03	1	Mount-Selector, Speed	40	115-5680	1	Cable-Augur
17	3296-72	1	Nut-Lock, NI	42	107-1005	1	Rod-Shift
21	106-4413	1	Lever-Augur	45	112-8143	1	Decal-Control Panel
23	112-6631	1	Control Panel ASM				



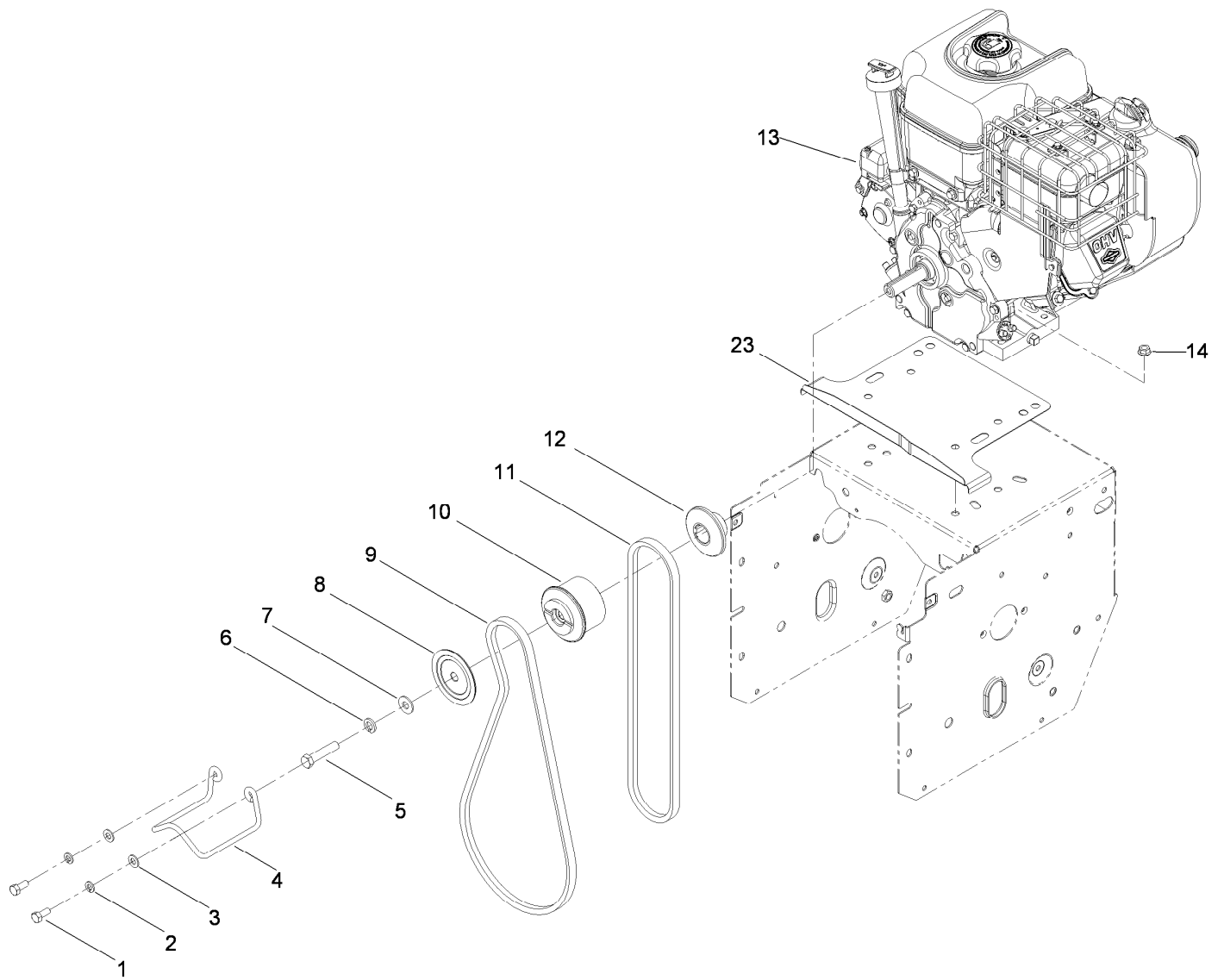
Handle Assembly

<i>Ref.</i>	<i>Part Number</i>	<i>Qty.</i>	<i>Description</i>
2	3229-30	2	Screw-CARR
3	46-8092	2	Screw-Plastite
4	105-9987	2	Support-Rod
5	106-7283	1	Rod-Chute, Front
6	3296-73	2	Nut-Lock, NI
7	108-0038-03	1	Handle-Upper, RH
12	107-3844	4	Washer
13	3296-72	4	Nut-Lock, NI
14	106-4586	1	Cover-Panel, Control
15	94-4496	2	Screw-PPH
16	108-0037-03	1	Handle-Upper, LH
17	105-9981-03	1	Handle-Lower
18	32144-14	4	Screw-HWHTF
19	3290-475	4	Washer-Belleville
20	92-2260	4	Screw-Handle
21	107-3018	4	Screw-Handle
22	3256-70	4	Washer-Flat
23	3296-72	4	Nut-Lock, NI
31	110-3408	1	Stick-Cleanout



Lever Chute Control Assembly

Ref.	Part Number	Qty.	Description
1	94-4496	6	Screw-PPH
3	105-9982	1	Spring-Torsion
4	105-9984	1	Trigger-Latch
5	105-9985	1	Link-Latch
6	105-9988	1	Lever-Cable, Deflector
7	105-9995	1	Screw-Shoulder
8	106-4479	1	Rod-Control, Chute
9	106-7280	1	Cap-Lever
10	106-7281	1	Lever-Chute Control, RH
11	106-7282	1	Lever-Chute Control, LH
12	107-3002	1	Washer-Nylon
13	106-7295	1	Plate-Friction
14	106-7310	1	Pawl-Latch
15	3290-456	1	Washer-Belleville
16	3296-29	1	Nut-Lock, NI
17	105-9986	1	Cover-Chute Lever, LH
18	106-7292	1	Cover-Chute Lever, RH
19	105-9989	1	Cable-Release, Chute
20	105-9990	1	Cable-Control, Deflector



Engine Assembly

Ref.	Part Number	Qty.	Description
1	3210-3	2	Screw-HH
2	3253-4	2	Washer-Lock
3	3256-23	2	Washer-Flat
4	107-3835	1	Guide-Belt
5	3211-9	1	Screw-HH
6	3253-21	1	Washer-Lock
7	3256-24	1	Washer-Flat
8	112-8139	1	Sheave-Half, Impeller
9	106-4498	1	Belt-V
10	112-8117	1	Pulley-Engine, Center
11	94-8812	1	V Belt-Traction
12	112-8138	1	Sheave-Half, Traction
13		1	Engine-Briggs 15C1040136E8 ●■
14	32128-20	4	Nut-HF
23	117-6022-01	1	Shield-Drive

● Not serviced separately

■ Obtain parts from www.briggsandstratton.com

Attachments and Accessories

For 38629 Power Max 826 OE Snowthrower

Product Name	Model/Part
Tire Chain Kit	107-3813
Snow Cab	107-3814
Weight Kit	107-3815
26 inch Drift Breaker	107-3816
Light Kit.....	107-3827

Notes:



Count on it.