



**Count on it.**

**Parts Catalog**

**Power Max 828 OXE Snowthrower**

Model No. 38634—Serial No. 311000001 and Up

# Ordering Replacement Parts

To order replacement parts, please supply the part number, the quantity, and the description of each part desired.

## Understanding Reference Numbers

Each identified part in an illustration has a reference number. The reference number for a part also appears in the parts list, along with other information about the part.

This catalog uses two special reference number formats, one to indicate parts in a service assembly and another to indicate the quantity of a given part in an illustration.

## Service Assembly Reference Numbers

Parts in service assemblies have reference numbers in the form a:b. The a represents the reference number of the entire service assembly and the b represents a sequential number unique to each part within the service assembly.

For example, a wheel assembly might be identified by reference number 6, the tire by 6:1, the valve by 6:2, and the wheel by 6:3. When you order the assembly identified by reference number 6, you receive all parts identified by reference numbers 6:1, 6:2, and 6:3. However, you may also order any part individually. Reference numbers of this type appear in illustration and in parts lists.

## Reference Numbers Indicating Quantity

In an illustration, if a reference number indicates more than one part, the reference number has the form nX y. The n represents the quantity of the part, the X is the multiplication symbol, and the y represents the reference number.

For example, in an illustration, the reference number 2X 37 means that two of the parts identified by reference number 37 are indicated.

# List of Abbreviations

**AR:** as required

**ASM:** assembly

**BBC:** blade brake control

**BHTF:** button head thread forming

**CARR:** carriage

**CCW:** counter clockwise

**CW:** clockwise

**DEG:** degrees

**ECM:** electronic control module

**EXT:** external

**FH:** flat head

**GA:** gauge

**HD:** heavy-duty

**HF:** hex flange

**HH:** hex head

**HHF:** hex head flange

**HHFTF:** hex head flange thread forming

**HJ:** hex jam

**HLH:** hex lag head

**HOC:** height-of-cut

**HSBH:** hex socket button head

**HSFH:** hex socket flat head

**HSH:** hex socket head

**HWH:** hex washer head

**HWHTF:** hex washer head thread forming

**HYD:** hydraulic

**LH:** left hand

**LP:** Liquid Propane

**NI:** nylon insert

**NPTF:** national pipe thread fine

**PFH:** phillips flat head

**PPH:** phillips pan head

**PPHTF:** phillips pan head thread forming

**PRH:** phillips round head

**PTH:** phillips truss head

**PTO:** power-take-off

**RH:** right hand

**ROPS:** roll-over protection system

**RRB:** rear roller brush

**SFH:** slotted fillister head

**SHH:** slotted hex head

**SHWH:** slotted hex washer head

**SPH:** slotted pan head

**SQH:** square head

**SRH:** slotted round head

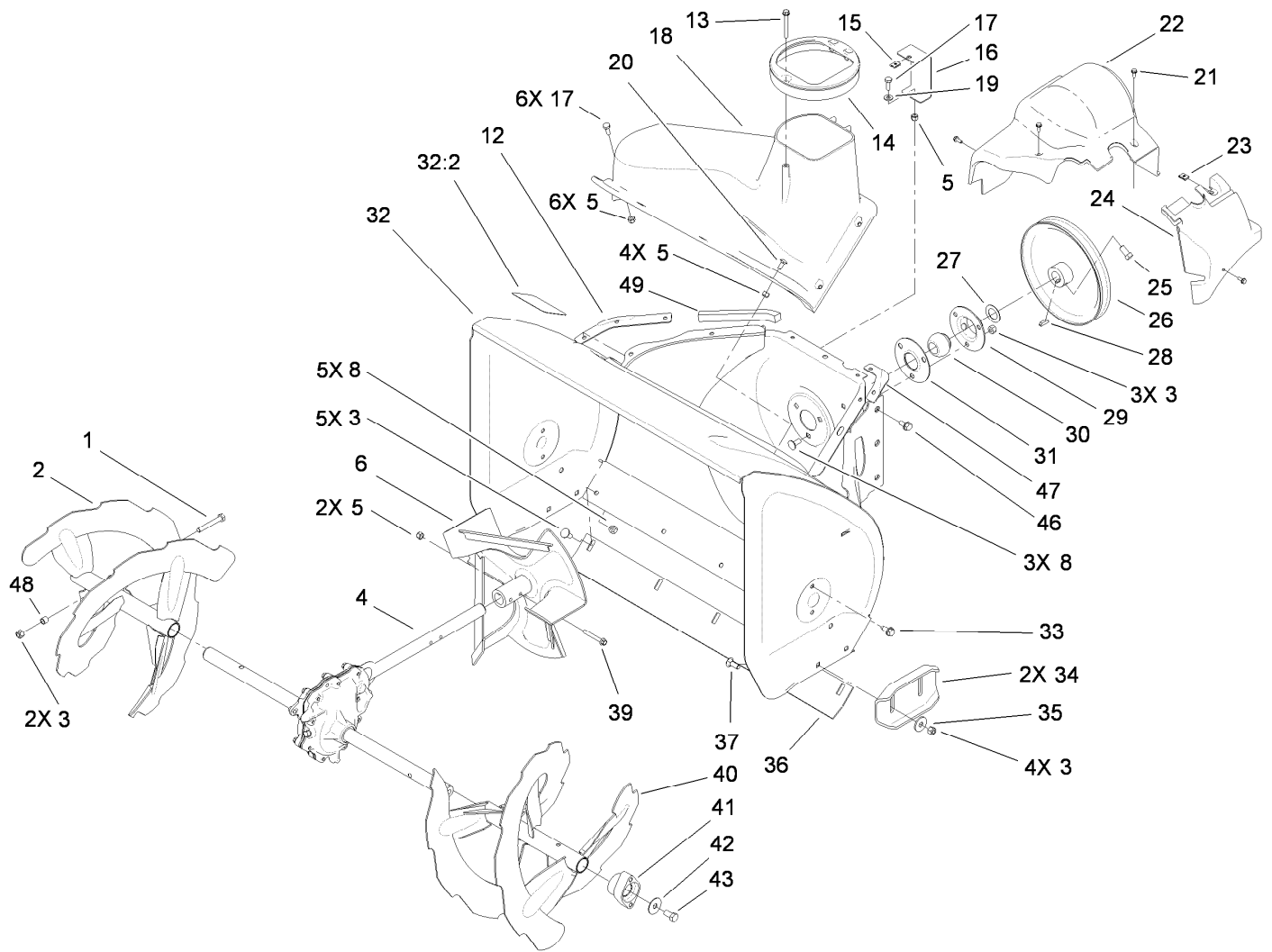
**STD:** standard

**TAP:** self tapping

**TTH:** torx truss head

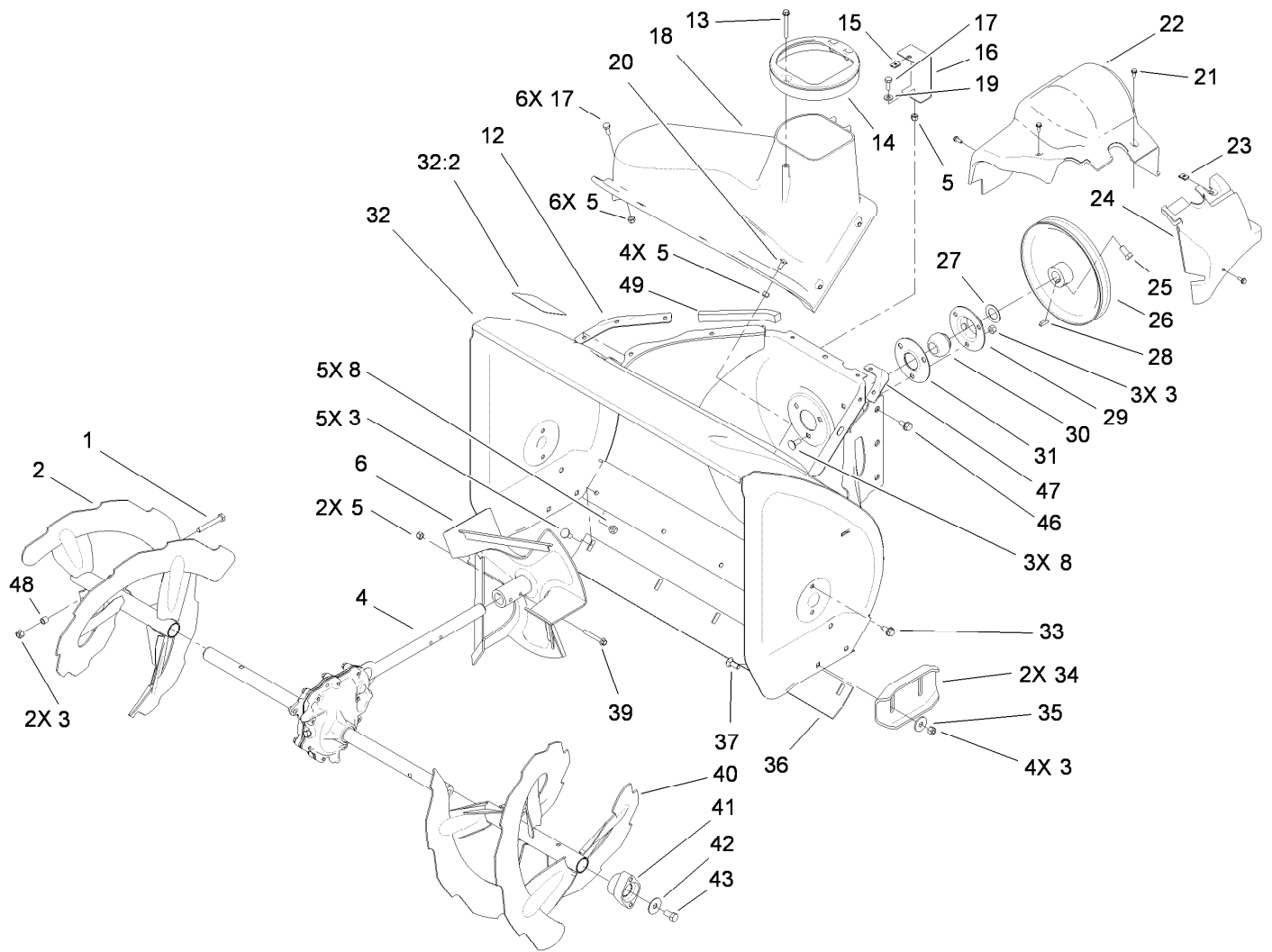
# Contents

|  |    |
|--|----|
| Auger and Housing Assembly .....                   | 4  |
| 28 Inch Auger Gearcase Assembly No. 108-7329 ..... | 6  |
| Chute Assembly .....                               | 7  |
| Frame Assembly .....                               | 8  |
| Upper and Handle Assembly .....                    | 9  |
| Lower Handle and Headlamp Assembly .....           | 10 |
| Lever Chute Control Assembly .....                 | 11 |
| Engine Assembly .....                              | 12 |
| Wheel Clutch Assembly .....                        | 13 |
| Wheel Clutch Sprocket Assembly .....               | 15 |
| Attachments and Accessories .....                  | 16 |



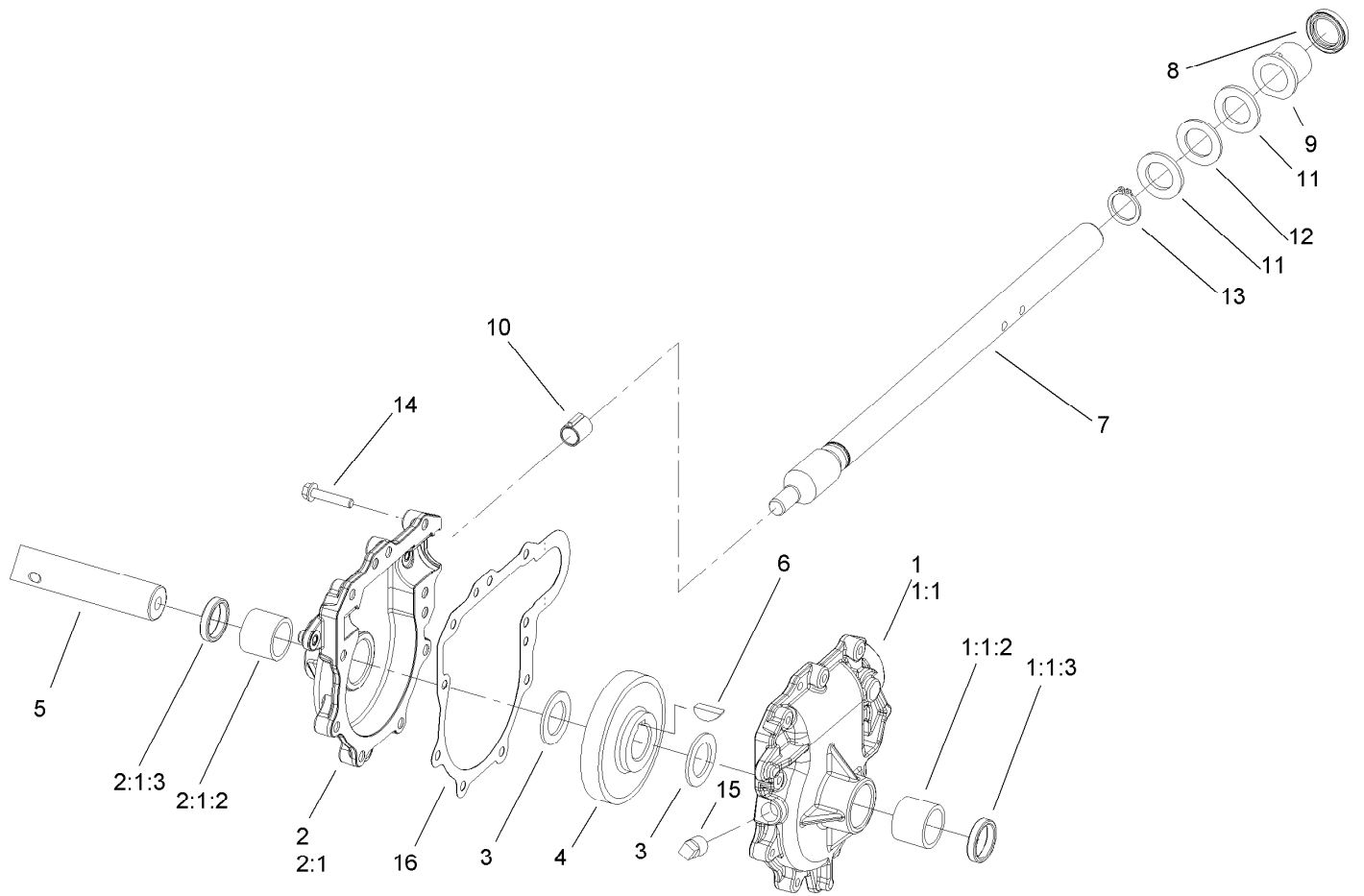
## Auger and Housing Assembly

| Ref. | Part Number | Qty. | Description                | Ref. | Part Number | Qty. | Description            |
|------|-------------|------|----------------------------|------|-------------|------|------------------------|
| 1    | 322-11      | 2    | Screw-HH                   | 25   | 3242-4      | 2    | Screw-Set, SQH         |
| 2    | 106-7291-03 | 1    | Auger-RH                   | 26   | 62-1300     | 1    | Pulley-Impeller        |
| 3    | 3296-29     | 14   | Nut-Lock, NI               | 27   | 252-80      | 1    | Washer-Thrust          |
| 4    | 108-7329    | 1    | 28 Inch Auger Gearcase ASM | 28   | 3257-23     | 1    | Key-Woodruff           |
| 5    | 3296-42     | 13   | Nut-Lock, NI               | 29   | 26-6110     | 1    | Flange-Cup, Bearing    |
| 6    | 106-4576-03 | 1    | Impeller ASM               | 30   | 63-3450     | 1    | Bearing-Ball           |
| 8    | 3230-23     | 8    | Screw-CARR                 | 31   | 26-6120     | 1    | Flange-Cup, Bearing    |
| 12   | 107-1017-03 | 1    | Seal-Flange, Cover         | 32   | 107-3824    | 1    | Housing-Auger, 28 Inch |
| 13   | 107-3003    | 1    | Screw-Plastite             | 32:2 | 107-3040    | 1    | Decal-Danger, Auger    |
| 14   | 107-3006    | 1    | Guide-Chute                | 33   | 32144-70    | 4    | Screw-HWHTF            |
| 15   | 107-1013    | 1    | Nut-Speed, U-Type          | 34   | 106-4588-01 | 2    | Skid                   |
| 16   | 107-1014-03 | 1    | Bracket-Cover, Clip Nut    | 35   | 52-2861     | 4    | Washer                 |
| 17   | 321-4       | 7    | Screw-HH                   | 36   | 106-4573-01 | 1    | Scraper-Fixed          |
| 18   | 108-0017    | 1    | Cover                      | 37   | 3230-16     | 4    | Screw-CARR             |
| 19   | 3256-22     | 1    | Washer-Flat                | 39   | 321-44      | 2    | Screw-HHF              |
| 20   | 3229-1      | 4    | Screw-CARR                 | 40   | 106-7301-03 | 1    | LH Auger ASM           |
| 21   | 32144-112   | 4    | Screw-HWH                  | 41   | 106-4570    | 2    | Auger-Bearing          |
| 22   | 107-1001    | 1    | Cover-Belt                 | 42   | 3-0750      | 2    | Washer                 |
| 23   | 701493      | 1    | Nut-Speed                  | 43   | 323-4       | 2    | Screw-HH               |
| 24   | 107-1016    | 1    | Cover-Extension, Belt      | 46   | 32144-14    | 6    | Screw-HWHTF            |
|      |             |      |                            | 47   | 108-0039-03 | 1    | Seal                   |



## Auger and Housing Assembly (continued)

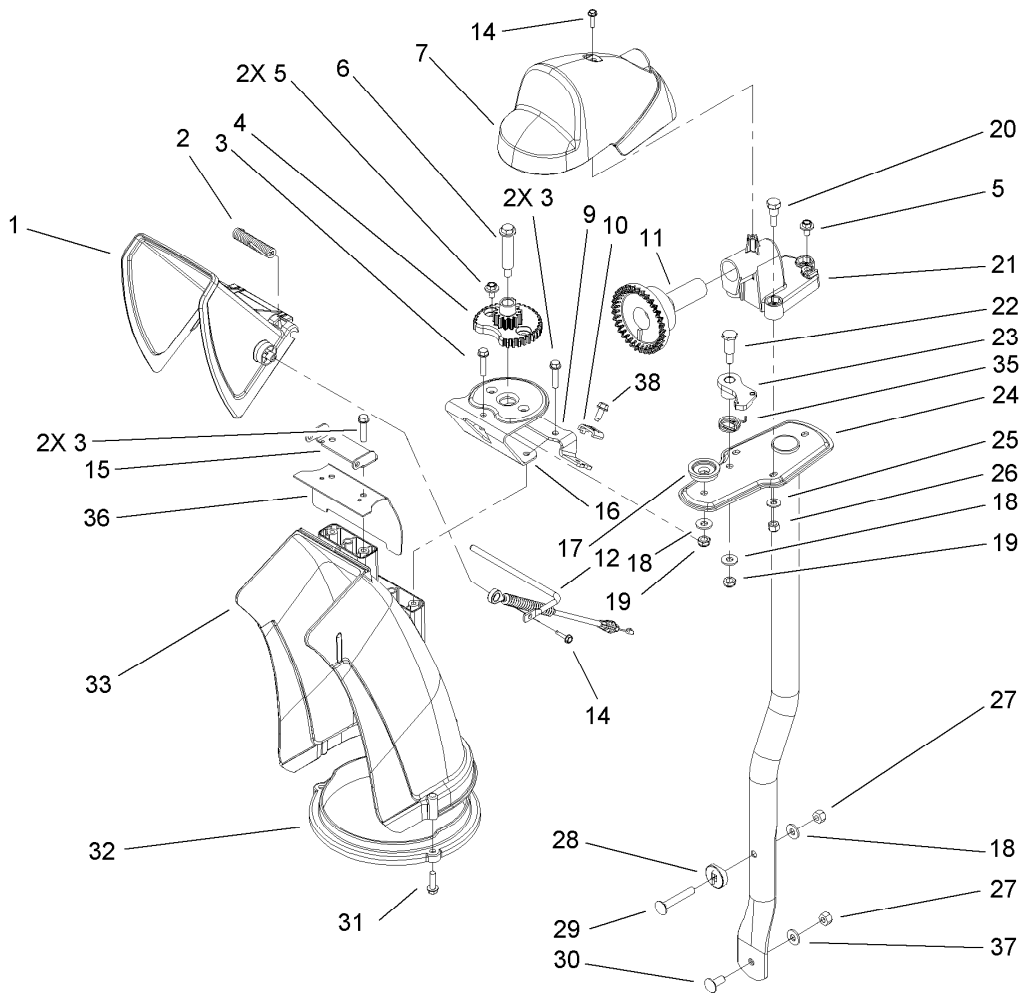
| <i>Ref.</i> | <i>Part Number</i> | <i>Qty.</i> | <i>Description</i> |
|-------------|--------------------|-------------|--------------------|
| 48          | 1-633545           | 2           | Spacer             |
| 49          | 120-0124           | 1           | Seal-Housing       |



## 28 Inch Auger Gearcase Assembly No. 108-7329

| Ref.  | Part Number | Qty. | Description            |
|-------|-------------|------|------------------------|
| 1     | 108-7325    | 1    | LH Auger Gearcase ASM  |
| 1:1   |             | 1    | Gearcase-Auger, LH ●   |
| 1:1:2 | 112-6635    | 1    | Bushing-Sleeve         |
| 1:1:3 | 7-0045      | 1    | Seal-Oil               |
| 2     | 108-7327    | 1    | RH Auger Gearcase ASM  |
| 2:1   |             | 1    | Gearcase-Auger, RH ●   |
| 2:1:2 | 112-6635    | 1    | Bushing-Sleeve         |
| 2:1:3 | 7-0045      | 1    | Seal-Oil               |
| 3     | 252-71      | 2    | Washer-Thrust          |
| 4     | 62-0120     | 1    | Gear-Helical           |
| 5     | 106-4421    | 1    | Shaft-Auger            |
| 6     | 3257-10     | 1    | Key-Woodruff           |
| 7     | 66-7811     | 1    | Shaft-Impeller         |
| 8     | 253-149     | 1    | Seal-Oil               |
| 9     | 37-6560     | 1    | Bushing-Input          |
| 10    | 62-1150     | 1    | Bushing-Worm           |
| 11    | 252-78      | 2    | Washer-Thrust          |
| 12    | 252-76      | 1    | Bearing-Thrust         |
| 13    | 32151-33    | 1    | Ring-Retaining, EXT    |
| 14    | 108-4862    | 9    | Screw-HWHTF            |
| 15    | 281-1       | 1    | Plug-Pipe, SQH         |
| 16    | 108-7330    | 1    | Gasket-Gearcase, Auger |

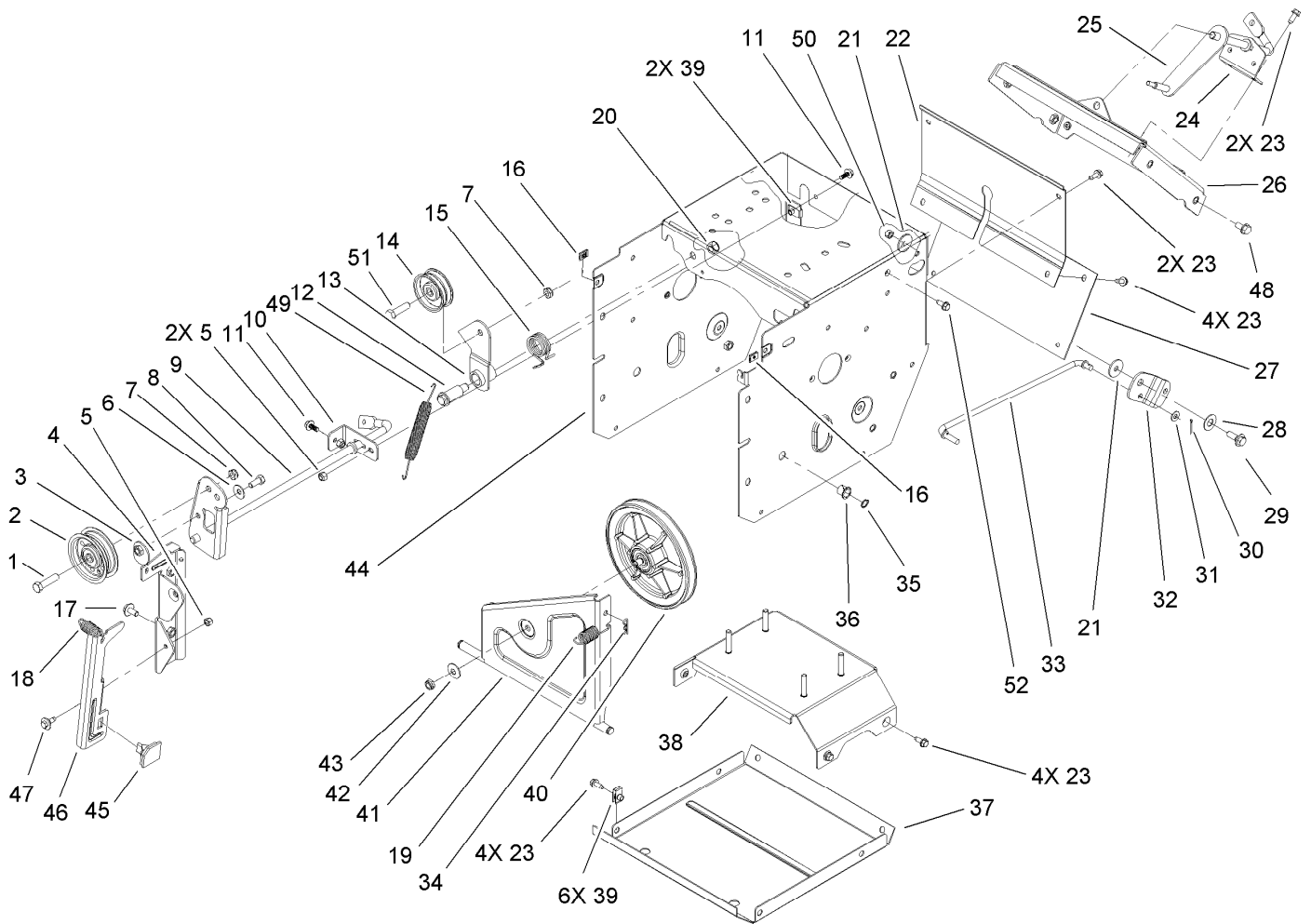
● Not serviced separately



## Chute Assembly

| <i>Ref.</i> | <i>Part Number</i> | <i>Qty.</i> | <i>Description</i>     |
|-------------|--------------------|-------------|------------------------|
| 1           | 112-6629           | 1           | Deflector-Chute, Ce    |
| 2           | 106-4594           | 1           | Spring-Torsion         |
| 3           | 46-8092            | 5           | Screw-Plastite         |
| 4           | 106-4472           | 1           | Gear-Chute             |
| 5           | 46-6810            | 3           | Screw And Washer ASM   |
| 6           | 100-9880           | 1           | Bolt-Shoulder          |
| 7           | 106-4585           | 1           | Cover-Gear, Chute      |
| 9           | 106-7296           | 1           | Bracket-Cable, Clamp   |
| 10          | 106-7297           | 1           | Clamp-Cable            |
| 11          | 106-4471           | 1           | Gear-Face              |
| 12          | 107-1021           | 1           | Rod-Deflector          |
| 14          | 98-1375            | 2           | Screw-HWH              |
| 15          | 106-7266           | 1           | Bracket-Deflector      |
| 16          | 106-4582-03        | 1           | Bracket-Support, Chute |
| 17          | 106-4422           | 1           | Spacer-Chute           |
| 18          | 3256-2             | 3           | Washer-Flat            |
| 19          | 3296-47            | 2           | Nut-Lock, NI           |
| 20          | 106-7276           | 3           | Screw-Shoulder         |

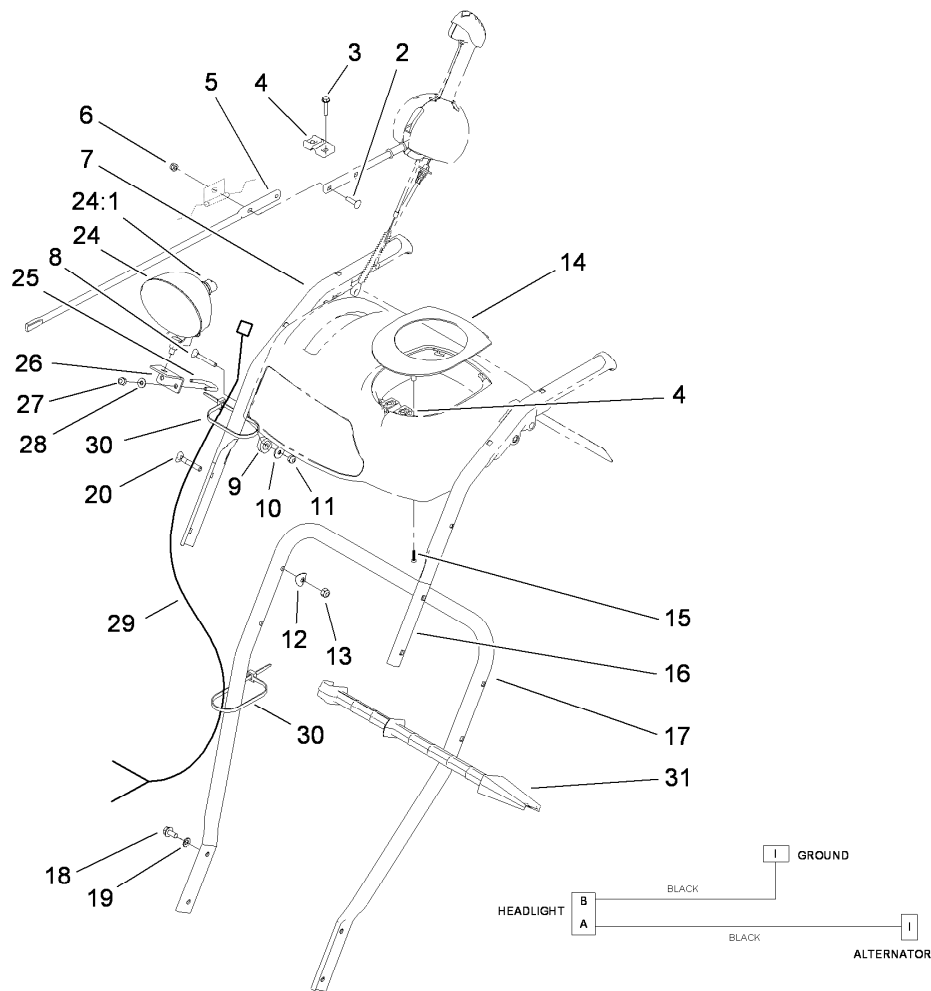
| <i>Ref.</i> | <i>Part Number</i> | <i>Qty.</i> | <i>Description</i> |
|-------------|--------------------|-------------|--------------------|
| 21          | 106-7257           | 1           | Mount-Gear, Face   |
| 22          | 63-2650            | 1           | Screw-Shoulder     |
| 23          | 106-4476           | 1           | Latch-Chute        |
| 24          | 106-7253-03        | 1           | Tube-Support       |
| 25          | 3256-22            | 3           | Washer-Flat        |
| 26          | 3296-42            | 3           | Nut-Lock, NI       |
| 27          | 3296-29            | 2           | Nut-Lock, NI       |
| 28          | 106-7260           | 1           | Washer-Curved      |
| 29          | 3230-5             | 1           | Screw-CARR         |
| 30          | 3230-23            | 1           | Screw-CARR         |
| 31          | 46-8091            | 3           | Screw-HWH          |
| 32          | 105-9991           | 1           | Ring-Chute         |
| 33          | 106-4440           | 1           | Chute-Discharge    |
| 35          | 108-7315           | 1           | Spring-Torsion     |
| 36          | 108-5052           | 1           | Seal-Chute         |
| 37          | 3290-456           | 1           | Washer-Belleville  |
| 38          | 32144-10           | 1           | Screw-HWH          |



## Frame Assembly

| Ref. | Part Number | Qty. | Description             | Ref. | Part Number | Qty. | Description                |
|------|-------------|------|-------------------------|------|-------------|------|----------------------------|
| 1    | 323-8       | 1    | Screw-HH                | 27   | 106-7345-01 | 1    | Cover-Lower                |
| 2    | 92-7104     | 1    | Pulley-Idler            | 28   | 25-5640     | 1    | Washer                     |
| 3    | 107-1047    | 1    | Nut                     | 29   | 27-0410     | 1    | Screw-Shoulder             |
| 4    | 107-1039    | 1    | Bracket-Idler, Impeller | 30   | 3272-4      | 1    | Pin-Cotter                 |
| 5    | 3296-42     | 3    | Nut-Lock, NI            | 31   | 3256-23     | 1    | Washer-Flat                |
| 6    | 3290-456    | 1    | Washer-Belleville       | 32   | 107-1011    | 1    | Bellcrank-Drive            |
| 7    | 3296-59     | 2    | Nut-Lock, NI            | 33   | 106-4467    | 1    | Link-Control, Speed        |
| 8    | 322-3       | 1    | Screw-HH                | 34   | 3290-307    | 1    | Pin-Hair                   |
| 9    | 107-3838-03 | 1    | Impeller Clutch ASM     | 35   | 32151-61    | 2    | Ring-Retaining             |
| 10   | 106-7341    | 1    | Bracket-Rear, Clutch    | 36   | 256-257     | 2    | Bushing-Nyliner            |
| 11   | 99-6810     | 2    | Screw-HH                | 37   | 106-7330-01 | 1    | Pan-Bottom                 |
| 12   | 108-5056    | 1    | Bolt-Shoulder           | 38   | 112-8128    | 1    | Frame Brace ASM            |
| 13   | 108-5058    | 1    | Arm-Idler, Traction     | 39   | 107069      | 8    | Clip                       |
| 14   | 3-4244      | 1    | Pulley-Idler            | 40   | 108-0031    | 1    | Traction Pulley ASM        |
| 15   | 108-7332    | 1    | Spring-Torsion          | 41   | 108-7307    | 1    | Friction Wheel Bracket ASM |
| 16   | 107-1013    | 2    | Nut-Speed, U-Type       | 42   | 3290-340    | 1    | Washer-Belleville          |
| 17   | 3234-7      | 2    | Screw-HHF               | 43   | 3296-5      | 1    | Nut-Lock                   |
| 18   | 107-1045    | 1    | Spring-Extension        | 44   | 114-9259-01 | 1    | Traction Frame ASM         |
| 19   | 107-1003    | 1    | Spring-Extension        | 45   | 66-8060     | 1    | Pad-Brake                  |
| 20   | 3296-76     | 1    | Nut-Lock, NI            | 46   | 107-1000    | 1    | Arm-Brake                  |
| 21   | 5-4460      | 2    | Washer-Pivot            | 47   | 92-9698     | 1    | Screw-Shoulder             |
| 22   | 108-0022-01 | 1    | Cover-Upper             | 48   | 32144-14    | 4    | Screw-HWHTF                |
| 23   | 32144-10    | 16   | Screw-HWH               | 49   | 108-2976    | 1    | Spring-Extension           |
| 24   | 108-0036    | 1    | Bracket-Rod, Shift      | 50   | 3296-29     | 1    | Nut-Lock, NI               |
| 25   | 106-7268    | 1    | Lever-Control, Traction | 51   | 323-29      | 1    | Screw-HH                   |
| 26   | 108-0026-01 | 1    | Shift Plate ASM         | 52   | 32144-4     | 1    | Screw-HWH                  |

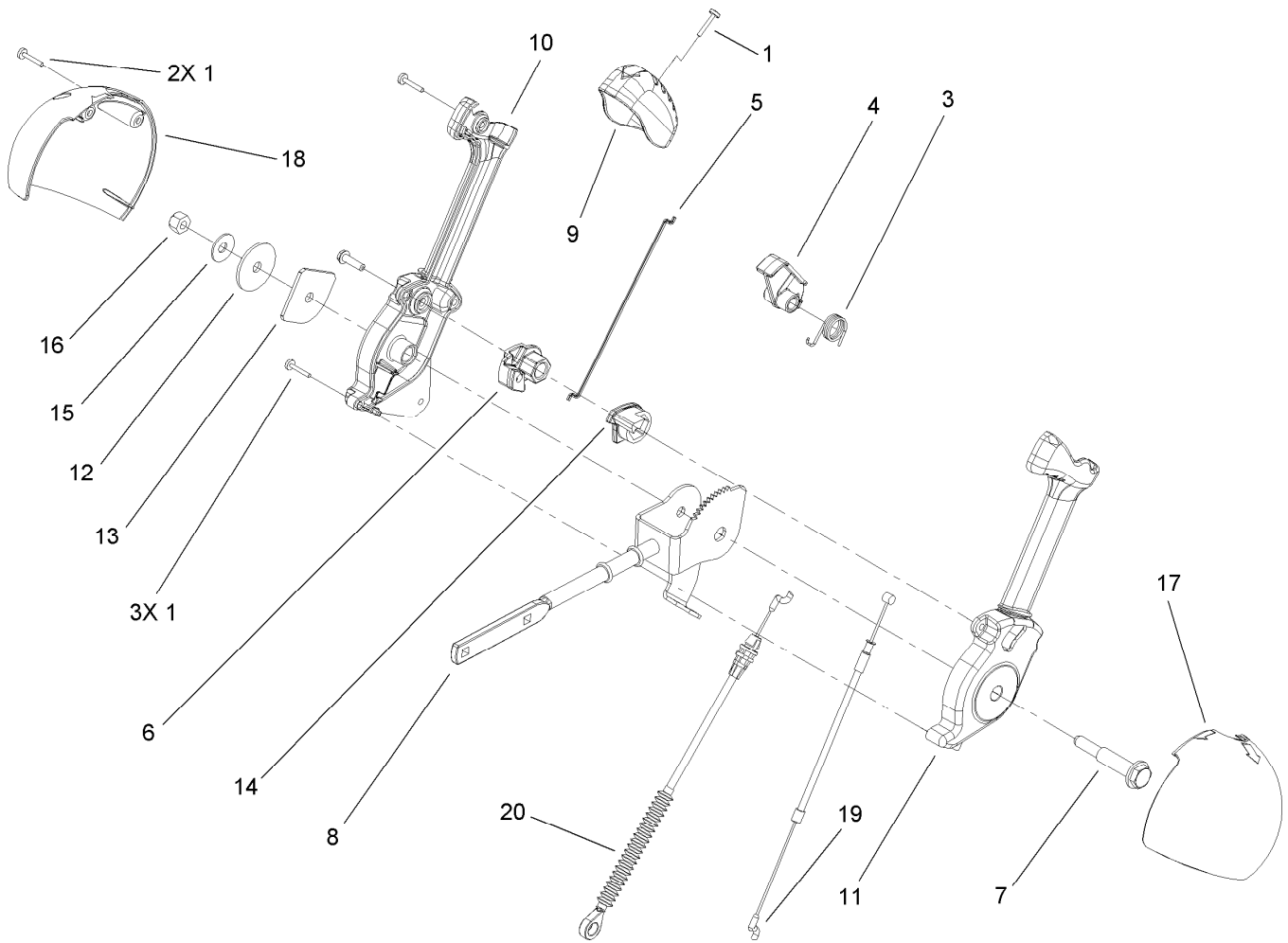




## Lower Handle and Headlamp Assembly

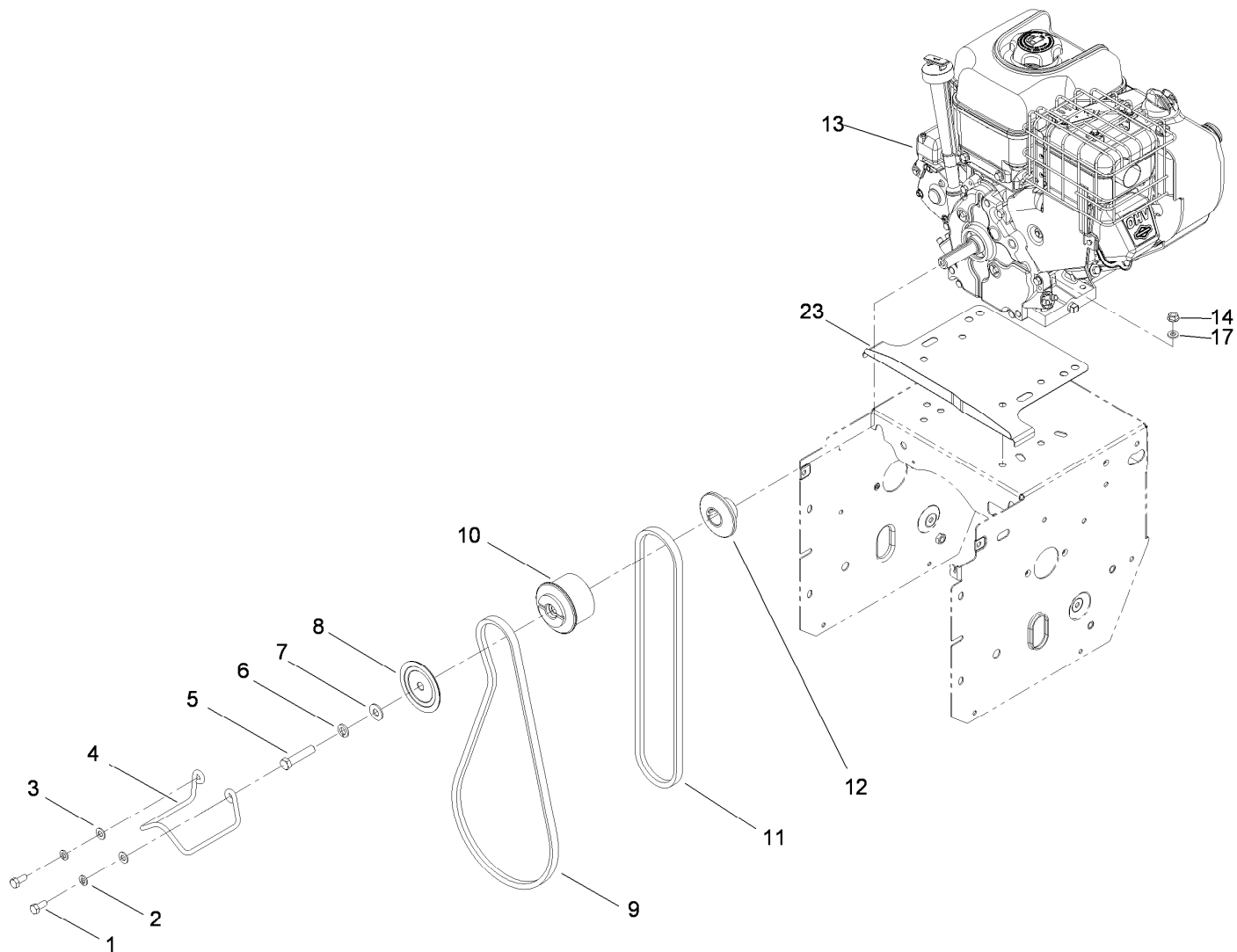
| Ref. | Part Number | Qty. | Description          |
|------|-------------|------|----------------------|
| 2    | 3229-30     | 2    | Screw-CARR           |
| 3    | 46-8092     | 2    | Screw-Plastite       |
| 4    | 105-9987    | 2    | Support-Rod          |
| 5    | 106-7283    | 1    | Rod-Chute, Front     |
| 6    | 3296-73     | 2    | Nut-Lock, NI         |
| 7    | 108-0038-03 | 1    | Handle-Upper, RH     |
| 8    | 95-4453     | 2    | Screw                |
| 9    | 106-4509    | 2    | Clamp-Cable          |
| 10   | 87-6630     | 2    | Washer-Plain         |
| 11   | 3296-73     | 2    | Nut-Lock, NI         |
| 12   | 107-3844    | 4    | Washer               |
| 13   | 3296-72     | 4    | Nut-Lock, NI         |
| 14   | 106-4586    | 1    | Cover-Panel, Control |
| 15   | 94-4496     | 2    | Screw-PPH            |

| Ref. | Part Number | Qty. | Description       |
|------|-------------|------|-------------------|
| 16   | 108-0037-03 | 1    | Handle-Upper, LH  |
| 17   | 105-9981-03 | 1    | Handle-Lower      |
| 18   | 32144-14    | 4    | Screw-HWHTF       |
| 19   | 3290-475    | 4    | Washer-Belleville |
| 20   | 92-2260     | 4    | Screw-Handle      |
| 24   | 106-4510    | 1    | Headlamp ASM      |
| 24:1 | 108-0008    | 1    | Lamp-12 Volt      |
| 25   | 107-3024    | 1    | Clamp             |
| 26   | 107-1020-03 | 1    | Bracket-Light     |
| 27   | 3296-73     | 2    | Nut-Lock, NI      |
| 28   | 3256-1      | 2    | Washer-Flat       |
| 29   | 106-4511    | 1    | Harness-Wire      |
| 30   | 614249      | 2    | Strap-Tie         |
| 31   | 110-3408    | 1    | Stick-Cleanout    |



## Lever Chute Control Assembly

| <b>Ref.</b> | <b>Part Number</b> | <b>Qty.</b> | <b>Description</b>       |
|-------------|--------------------|-------------|--------------------------|
| 1           | 94-4496            | 6           | Screw-PPH                |
| 3           | 105-9982           | 1           | Spring-Torsion           |
| 4           | 105-9984           | 1           | Trigger-Latch            |
| 5           | 105-9985           | 1           | Link-Latch               |
| 6           | 105-9988           | 1           | Lever-Cable, Deflector   |
| 7           | 105-9995           | 1           | Screw-Shoulder           |
| 8           | 106-4479           | 1           | Rod-Control, Chute       |
| 9           | 106-7280           | 1           | Cap-Lever                |
| 10          | 106-7281           | 1           | Lever-Chute Control, RH  |
| 11          | 106-7282           | 1           | Lever-Chute Control, LH  |
| 12          | 107-3002           | 1           | Washer-Nylon             |
| 13          | 106-7295           | 1           | Plate-Friction           |
| 14          | 106-7310           | 1           | Pawl-Latch               |
| 15          | 3290-456           | 1           | Washer-Belleville        |
| 16          | 3296-29            | 1           | Nut-Lock, NI             |
| 17          | 105-9986           | 1           | Cover-Chute Lever, LH    |
| 18          | 106-7292           | 1           | Cover-Chute Lever, RH    |
| 19          | 105-9989           | 1           | Cable-Release, Chute     |
| 20          | 105-9990           | 1           | Cable-Control, Deflector |



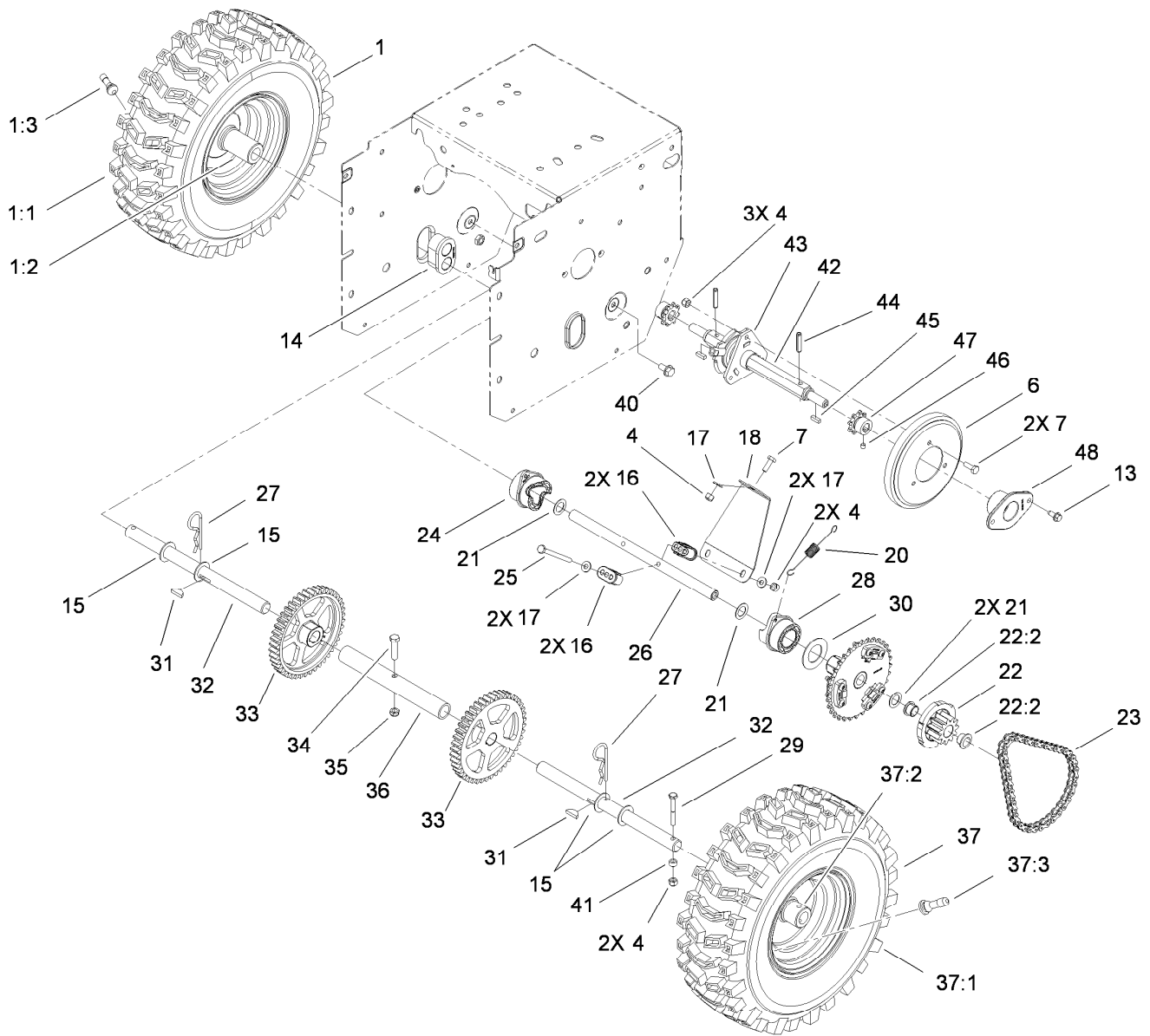
## Engine Assembly

| Ref. | Part Number | Qty. | Description           |
|------|-------------|------|-----------------------|
| 1    | 3210-3      | 2    | Screw-HH              |
| 2    | 3253-4      | 2    | Washer-Lock           |
| 3    | 3256-23     | 2    | Washer-Flat           |
| 4    | 107-3835    | 1    | Guide-Belt            |
| 5    | 3211-9      | 1    | Screw-HH              |
| 6    | 3253-21     | 1    | Washer-Lock           |
| 7    | 3256-24     | 1    | Washer-Flat           |
| 8    | 112-8139    | 1    | Sheave-Half, Impeller |
| 9    | 106-4498    | 1    | Belt-V                |

| Ref. | Part Number | Qty. | Description                       |
|------|-------------|------|-----------------------------------|
| 10   | 112-8117    | 1    | Pulley-Engine, Center             |
| 11   | 94-8812     | 1    | V Belt-Traction                   |
| 12   | 112-8138    | 1    | Sheave-Half, Traction             |
| 13   |             | 1    | Engine-Briggs<br>15C1040139E8 ● ■ |
| 14   | 32128-20    | 4    | Nut-HF                            |
| 17   | 3256-2      | 1    | Washer-Flat                       |
| 23   | 117-6022-01 | 1    | Shield-Drive                      |

● Not serviced separately

■ Obtain parts from [www.tecumsehpower.com](http://www.tecumsehpower.com)

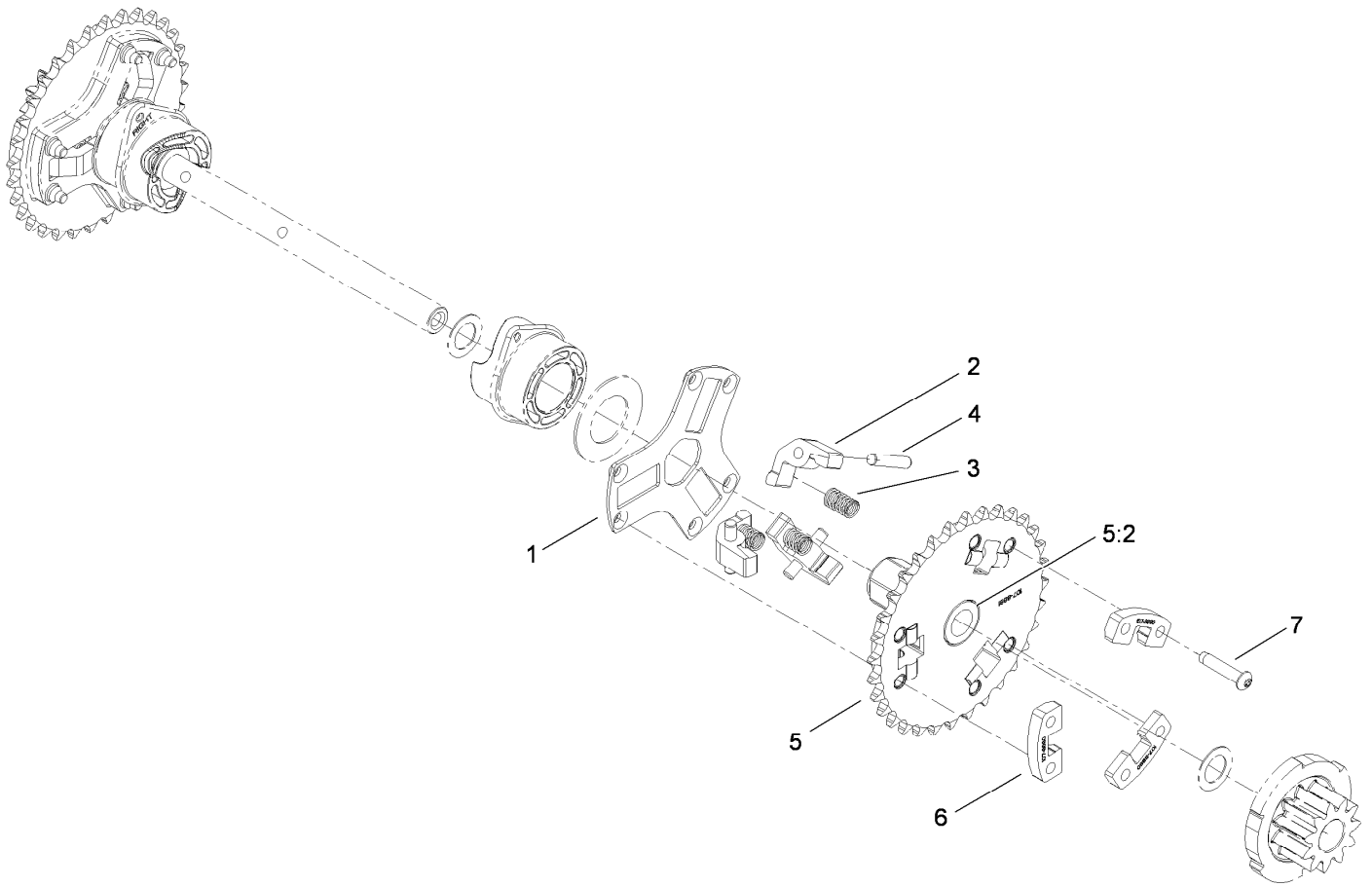


## Wheel Clutch Assembly

| Ref. | Part Number | Qty. | Description             | Ref. | Part Number | Qty. | Description             |
|------|-------------|------|-------------------------|------|-------------|------|-------------------------|
| 1    |             | 1    | RH Wheel And Tire ASM ● | 24   | 107-8888    | 1    | Collar-Shift, RH        |
| 1:1  | 107-3042    | 1    | Tire                    | 25   | 321-23      | 2    | Screw-HH                |
| 1:2  | 107-3043    | 1    | Rim-Tire                | 26   | 107-8883    | 1    | Shaft-Intermediate      |
| 1:3  | 232-27      | 1    | Stem-Valve              | 27   | 3290-343    | 2    | Pin-Hair                |
| 4    | 3296-42     | 8    | Nut-Lock, NI            | 28   | 107-8887    | 1    | Collar-Shift, LH        |
| 6    | 119-1567    | 1    | Wheel-Friction          | 29   | 108-2975    | 2    | Screw-HH                |
| 7    | 321-4       | 4    | Screw-HH                | 30   | 107-8891    | 2    | Washer-Thrust           |
| 13   | 32144-10    | 4    | Screw-HWH               | 31   | 3257-7      | 2    | Key-Woodruff            |
| 14   | 106-4558    | 2    | Bearing-Axle            | 32   | 107-8898    | 2    | Shaft-Axle              |
| 15   | 3-8664      | 4    | Washer-Thrust           | 33   | 106-4572    | 2    | Gear-Axle, 44 Tooth     |
| 16   | 107-8889    | 4    | Guide-Collar            | 34   | 322-17      | 1    | Screw-HH                |
| 17   | 3256-22     | 5    | Washer-Flat             | 35   | 3296-47     | 1    | Nut-Lock, NI            |
| 18   | 107-8892-03 | 1    | Brace-Collar, Shift     | 36   | 106-7259    | 1    | Tube-Axle               |
| 20   | 107-8893    | 2    | Spring-Extension        | 37   |             | 1    | LH Wheel And Tire ASM ● |
| 21   | 108-0015    | 4    | Washer-Flat             | 37:1 | 107-3042    | 1    | Tire                    |
| 22   | 107-8894    | 2    | 11T Gear ASM            | 37:2 | 107-3043    | 1    | Rim-Tire                |
| 22:2 | 108-2973    | 2    | Bushing-Flange          | 37:3 | 232-27      | 1    | Stem-Valve              |
| 23   | 108-0016    | 2    | Chain-Roller            | 40   | 32144-14    | 2    | Screw-HWHTF             |
| 23   | 2710-6      | 2    | Link-Connecting         | 41   | 55-9370     | 2    | Spacer-Blade, Rotor     |

● Not serviced separately





## Wheel Clutch Sprocket Assembly

| <i>Ref.</i> | <i>Part Number</i> | <i>Qty.</i> | <i>Description</i>     |
|-------------|--------------------|-------------|------------------------|
| 1           | 107-8886           | 2           | Retainer-Pin, Pawl     |
| 2           | 107-8879           | 6           | Pawl-Clutch            |
| 3           | 107-8885           | 6           | Spring-Compression     |
| 4           | 107-8899           | 6           | Pin-Dowel              |
| 5           | 107-8895           | 2           | 32T Sprocket ASM       |
| 5:2         | 108-2973           | 2           | Bushing-Flange         |
| 6           | 107-8880           | 6           | Support-Pawl           |
| 7           | 108-0035           | 12          | Screw-Torx Button Head |

# Attachments and Accessories

## For 38634 Power Max 828 OXE Snowthrower

| <b>Product Name</b>         | <b>Model/Part</b> |
|-----------------------------|-------------------|
| Tire Chain Kit .....        | 107-3813          |
| Snow Cab .....              | 107-3814          |
| Weight Kit .....            | 107-3815          |
| 28 inch Drift Breaker ..... | 107-3817          |
| Toro 2-Stage Cover.....     | 490-7466          |
| Plain 2-Stage Cover.....    | 490-7467          |

**Notes:**

**Notes:**

**Notes:**



**Count on it.**