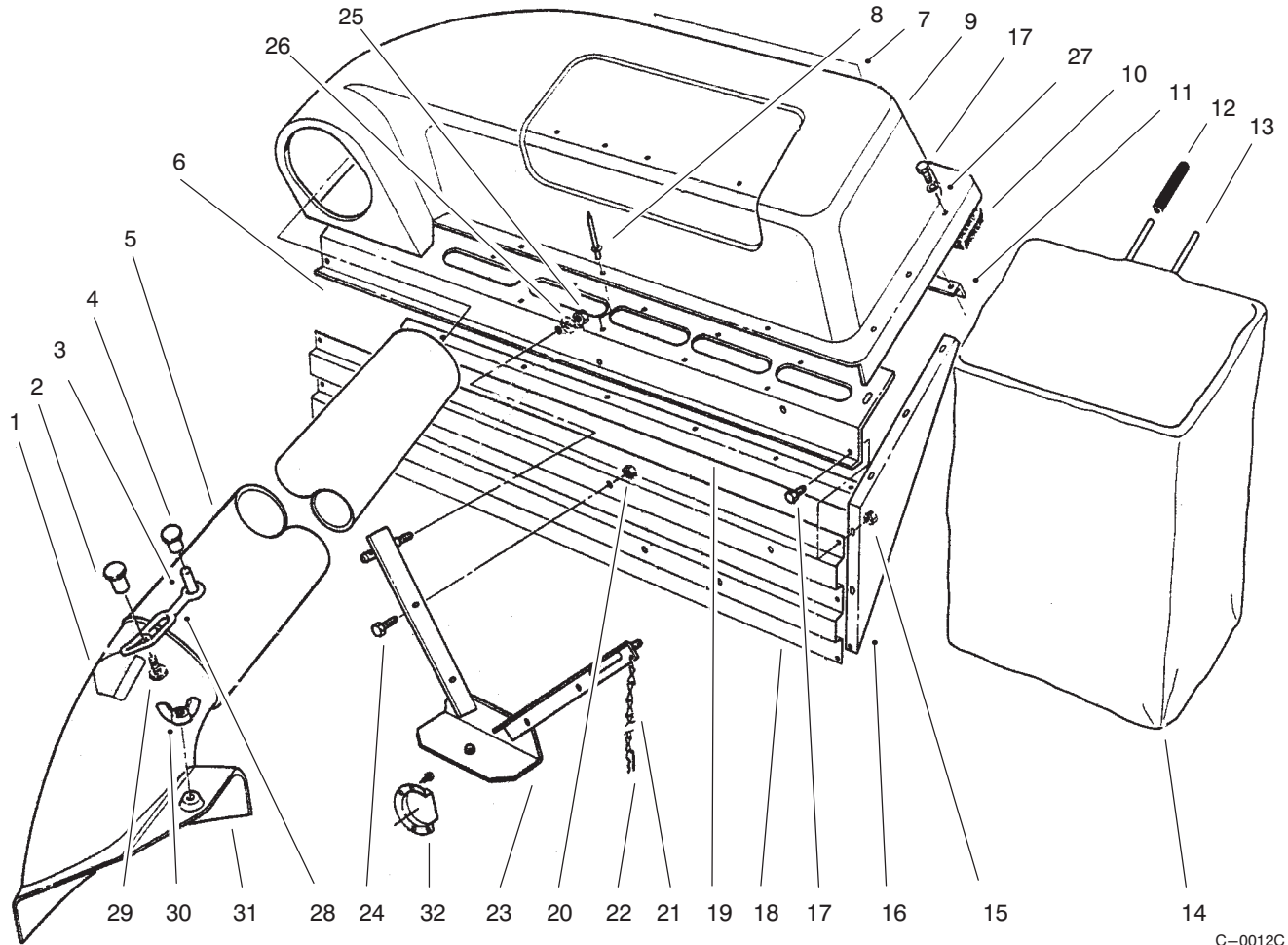


8-25 RER TWIN BAGGER GRASS CATCHER

MODEL NO. 79080-6900001 & UP

**PARTS
CATALOG**

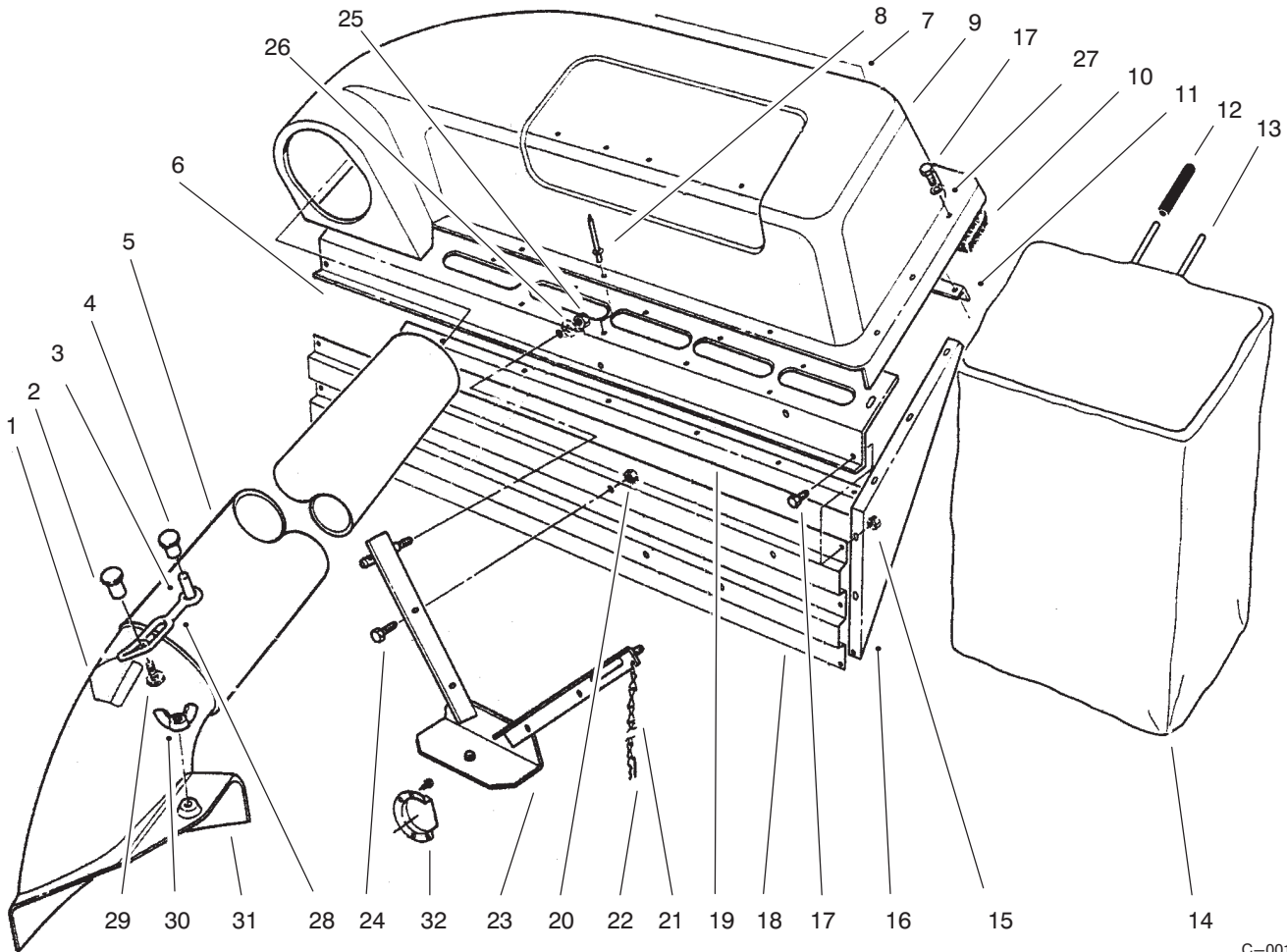


C-0012C

TWIN BAGGER GRASS CATCHER

Ref. No.	Part No.	Description	No. Used
1	93-1122	Decal - Chute	1
2	233-68	Knob	1
3	22-9741	Spacer	1
4	3290-479	Fastner - Panel	1
5	67-9890	Duct	1
6	57-7920	Baffle	1
7	57-7840	Decal - Twin Bagger	1
8	3269-15	Rivet - Pop	18
9	67-9960	Cover	1
10	57-7820	Seal - Foam	1

Ref. No.	Part No.	Description	No. Used
11	57-7880	Bracket - Frame, Bag	2
12	47-2550	Grip - Handle	4
13	57-7960	Frame - Bag	2
14	57-7990	Bag	2
15	3296-42	Nut - Lock	12
16	57-7980	Plate - Side	2
17	321-3	Screw - Cap Hex. Hd.	12
18	67-9950	Shield - Muffler	1
19	57-7890	Channel - Support, Bag	1
20	3296-29	Nut - Lock	4



C-0012C

TWIN BAGGER GRASS CATCHER (Continued)

Ref. No.	Part No.	Description	No. Used
21	2830-9	Chain	2
22	3290-355	Pin - Hair, Cotter	2
23	67-9900	V-Bracket	1
24	322-2	Screw - Cap Hex. Hd.	4
25	3296-39	Nut - Lock	2
26	3256-24	Washer - Flat	2
27	3256-1	Washer - Flat	1

Ref. No.	Part No.	Description	No. Used
28	82-5690	Retainer - Duct	1
29	32144-112	Screw	1
30	32103-14	Nut - Wing	1
31	67-1551	Assembly - Chute (Incl. Ref. #1, 2 & 29)	1
32	2210-319	Deflector - Muffler	1