



**Count on it.**

**Parts Catalog**

**22in Recycler<sup>®</sup> Lawn Mower**

**Model No. 20350—Serial No. 310001317 and Up**

# Ordering Replacement Parts

To order replacement parts, please supply the part number, the quantity, and the description of each part desired.

## Understanding Reference Numbers

Each identified part in an illustration has a reference number. The reference number for a part also appears in the parts list, along with other information about the part.

This catalog uses two special reference number formats, one to indicate parts in a service assembly and another to indicate the quantity of a given part in an illustration.

## Service Assembly Reference Numbers

Parts in service assemblies have reference numbers in the form a:b. The a represents the reference number of the entire service assembly and the b represents a sequential number unique to each part within the service assembly.

For example, a wheel assembly might be identified by reference number 6, the tire by 6:1, the valve by 6:2, and the wheel by 6:3. When you order the assembly identified by reference number 6, you receive all parts identified by reference numbers 6:1, 6:2, and 6:3. However, you may also order any part individually. Reference numbers of this type appear in illustration and in parts lists.

## Reference Numbers Indicating Quantity

In an illustration, if a reference number indicates more than one part, the reference number has the form nX y. The n represents the quantity of the part, the X is the multiplication symbol, and the y represents the reference number.

For example, in an illustration, the reference number 2X 37 means that two of the parts identified by reference number 37 are indicated.

# List of Abbreviations

**AR:** as required

**ASM:** assembly

**BBC:** blade brake control

**BHTF:** button head thread forming

**CARR:** carriage

**CCW:** counter clockwise

**CW:** clockwise

**DEG:** degrees

**ECM:** electronic control module

**EXT:** external

**FH:** flat head

**GA:** gauge

**HD:** heavy-duty

**HF:** hex flange

**HH:** hex head

**HHF:** hex head flange

**HHFTF:** hex head flange thread forming

**HJ:** hex jam

**HLH:** hex lag head

**HOC:** height-of-cut

**HSBH:** hex socket button head

**HSFH:** hex socket flat head

**HSH:** hex socket head

**HWH:** hex washer head

**HWHTF:** hex washer head thread forming

**HYD:** hydraulic

**LH:** left hand

**NI:** nylon insert

**NPTF:** national pipe thread fine

**PFH:** phillips flat head

**PPH:** phillips pan head

**PPHTF:** phillips pan head thread forming

**PRH:** phillips round head

**PTH:** phillips truss head

**PTO:** power-take-off

**RH:** right hand

**ROPS:** roll-over protection system

**RRB:** rear roller brush

**SFH:** slotted fillister head

**SHH:** slotted hex head

**SHWH:** slotted hex washer head

**SPH:** slotted pan head

**SQH:** square head

**SRH:** slotted round head

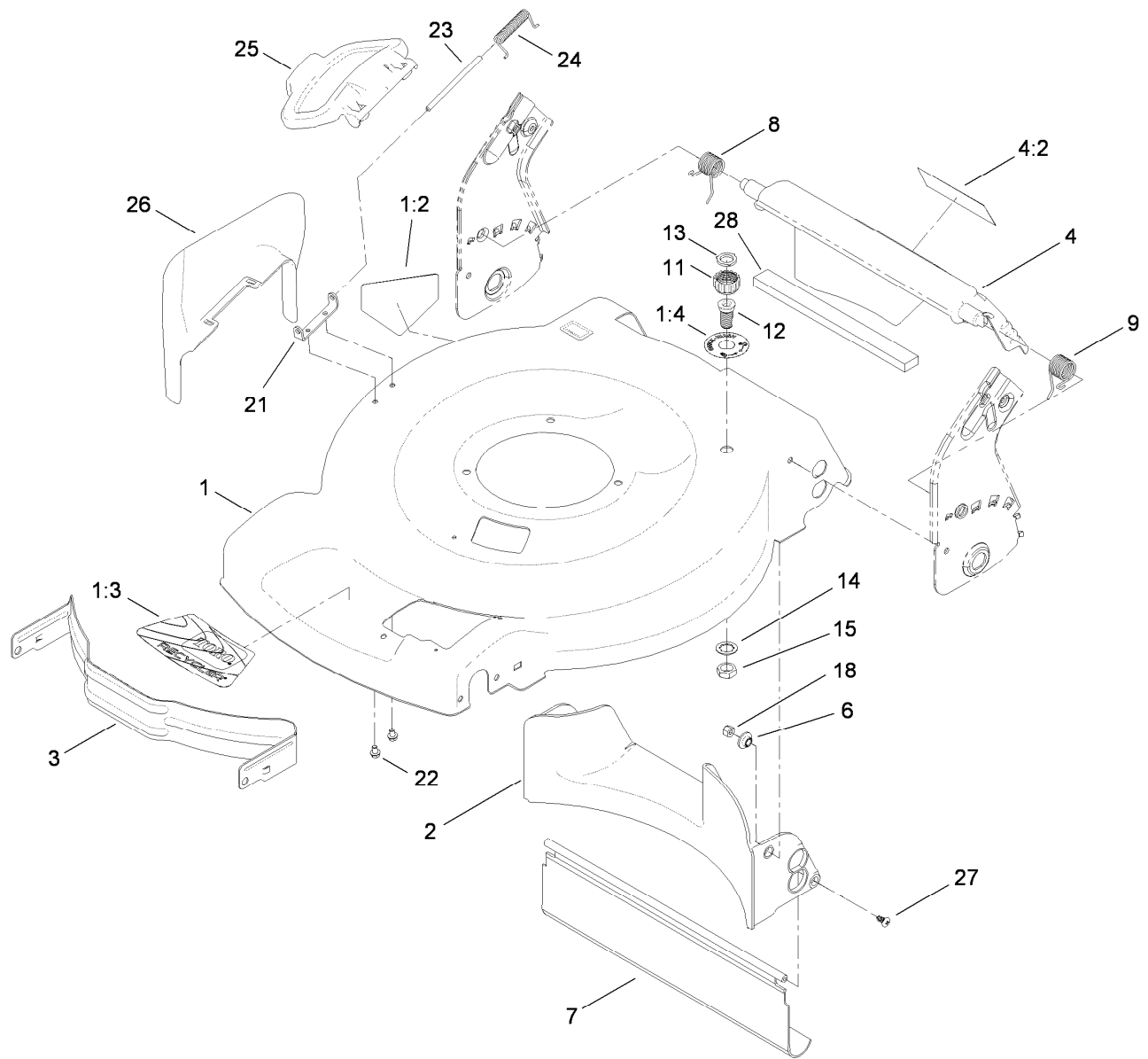
**STD:** standard

**TAP:** self tapping

**TTH:** torx truss head

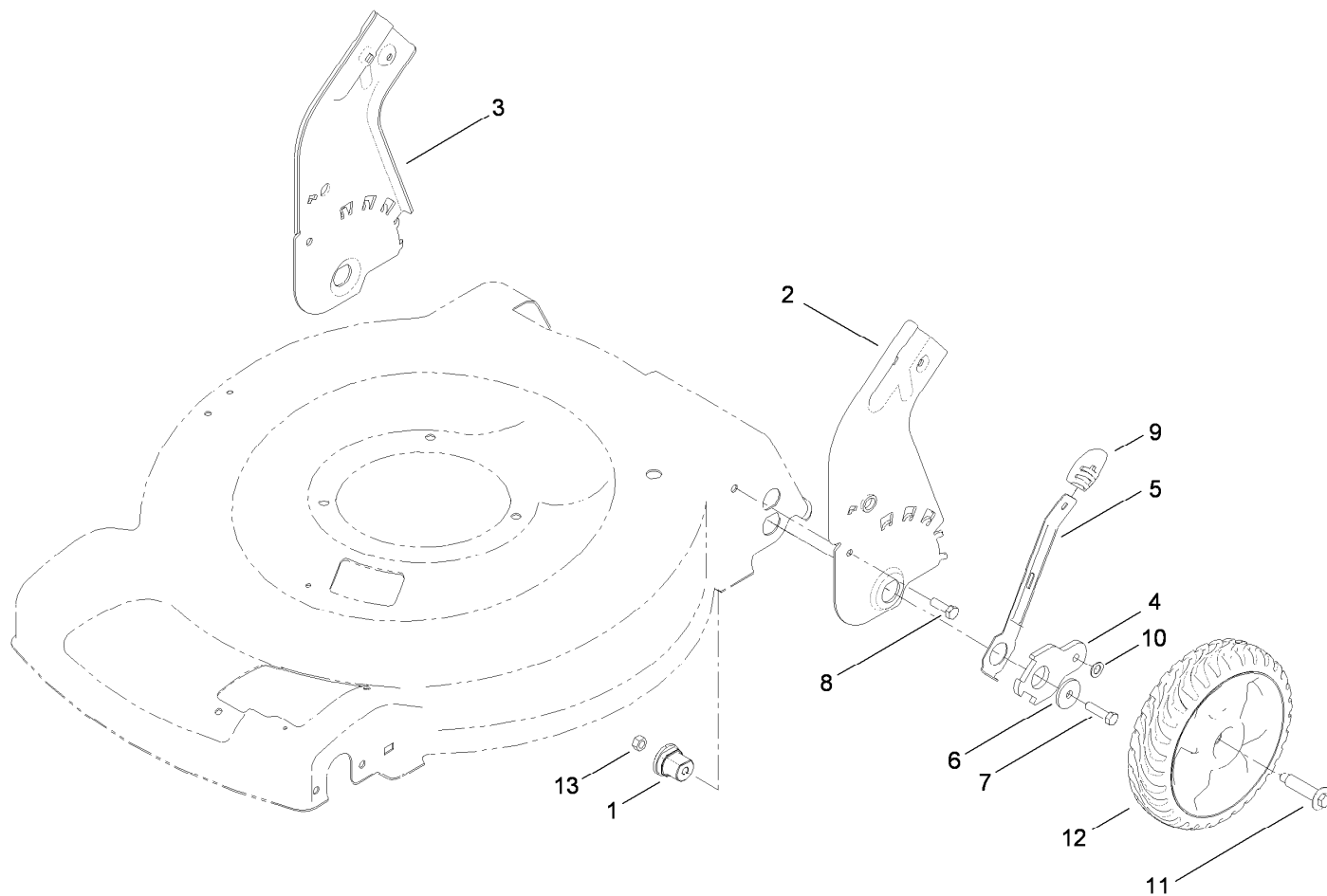
# Contents

Housing Assembly .....	4
Rear Wheel and Height-of-Cut Assembly .....	5
Transmission, Front Wheel and Height-of-Cut Assembly .....	6
Engine and Blade Assembly .....	7
Handle Assembly .....	8
Rear Bag Assembly .....	9
Attachments and Accessories .....	10



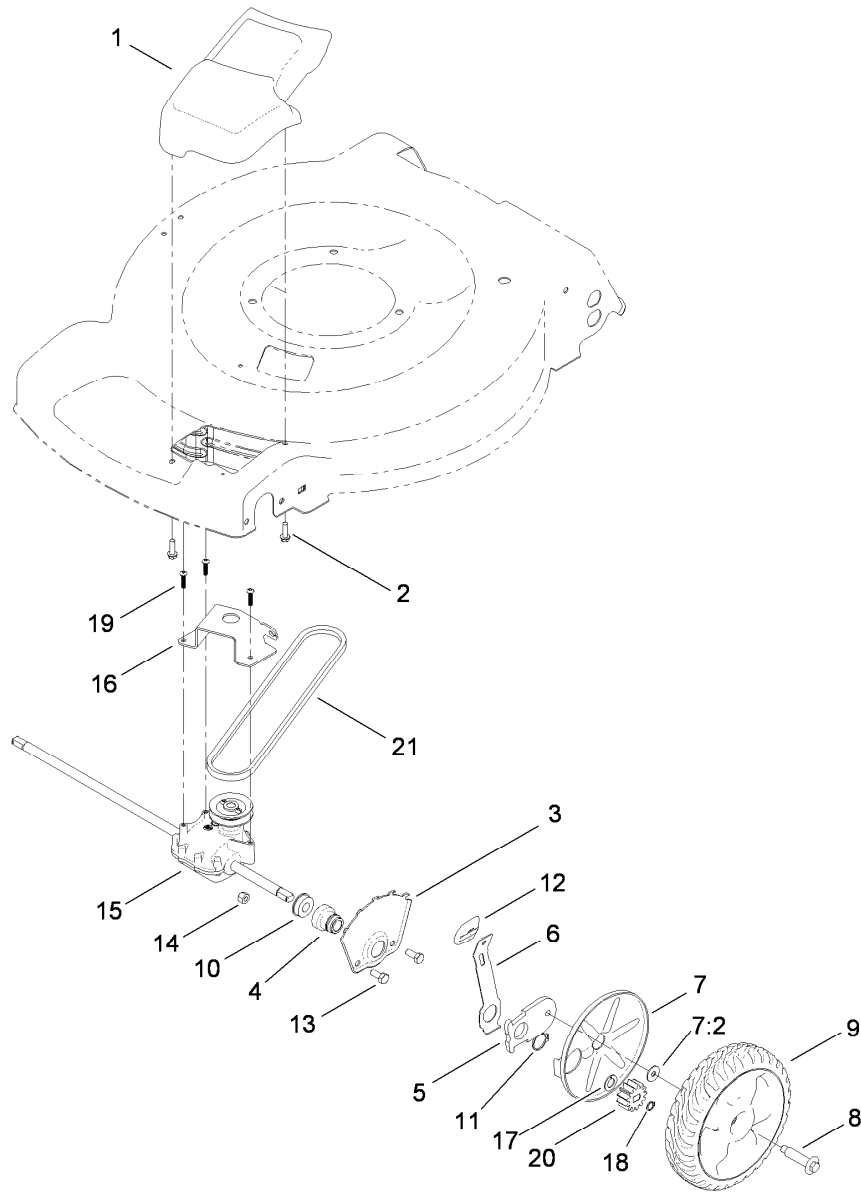
## Housing Assembly

<i>Ref.</i>	<i>Part Number</i>	<i>Qty.</i>	<i>Description</i>	<i>Ref.</i>	<i>Part Number</i>	<i>Qty.</i>	<i>Description</i>
1	117-1085	1	Housing ASM	12	112-6400	1	Port-Washout
1:2	94-8072	1	Decal-Danger	13	112-6438	1	Washer-Seal, Washout Port
1:3	115-4678	1	Decal-Recycler	14	3254-5	1	Washer-Tooth, Internal
1:4	112-8867	1	Decal-Port, Washout	15	3218-6	1	Nut-Jam
2	115-1307	1	Baffle-Rear	18	3296-29	2	Nut-Lock, NI
3	114-7963-01	1	Baffle-Front	21	112-6416	1	Bracket-Cover
4	117-4199	1	Rear Deflector ASM	22	99-8445	2	Screw-HWH
4:2	114-7982	1	Decal-Warning	23	99-5291	1	Rod-Cover
6	117-5991	2	Washer-Stepped, Baffle	24	99-5293	1	Spring-Torsion
7	115-8420	1	Shield-Trailing	25	115-8449	1	Deflector-Side
8	114-7924	1	Spring-Torsion	26	115-8447	1	Chute-Discharge, Side
9	115-2859	1	Spring-Torsion	27	117-1092	2	Screw-PTH
11	112-6401	1	Coupling-Hose, Washout Port	28	117-5924	1	Foam-Seal



## Rear Wheel and Height-of-Cut Assembly

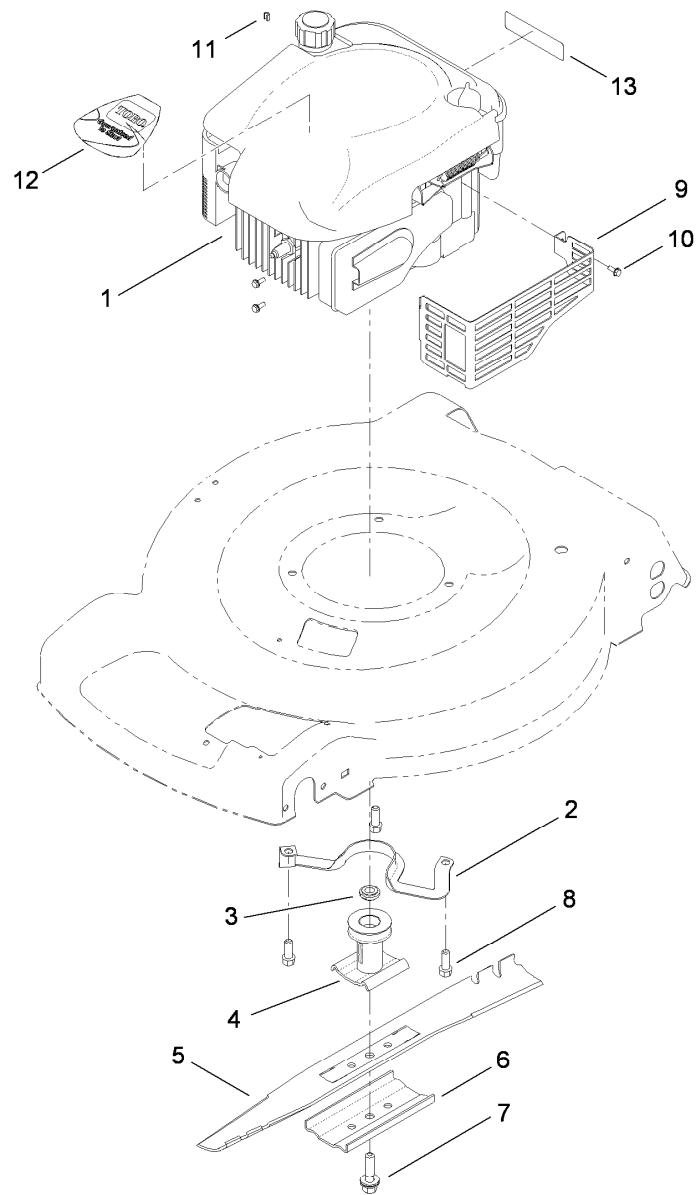
<i>Ref.</i>	<i>Part Number</i>	<i>Qty.</i>	<i>Description</i>
1	115-4651	2	Bushing-Mount, HOC
2	114-7998-03	1	Plate-HOC, Rear (LH)
3	114-7999-03	1	Plate-HOC, Rear (RH)
4	114-7997	2	Arm-Pivot, Rear
5	115-2899	2	Arm-Spring, Rear (11 Inch)
6	105-3048	2	Washer-Flat
7	322-7	2	Screw-HH
8	322-5	2	Screw-HH
9	105-3042	2	Knob-Lever, HOC
10	40-1940	2	Washer
11	614650	2	Bolt-Shoulder
12	115-2877	2	8 Inch Wheel ASM
13	3296-29	2	Nut-Lock, NI



## Transmission, Front Wheel and Height-of-Cut Assembly

Ref.	Part Number	Qty.	Description
1	115-1305	1	Cover-Belt
2	46-8091	2	Screw-HWH
3	115-1956-03	2	Plate-HOC, Front
4	104-8698	2	Retainer-Bearing, HOC
5	105-1807	2	Arm-Pivot, Front
6	105-1809	2	Arm-Spring
7	110-1792	2	Wheel Cover ASM
7:2	614426	1	Washer-Stepped
8	614650	2	Bolt-Shoulder
9	115-2878	2	8 Inch Wheel ASM
10	104-8699	2	Bearing-Ball

Ref.	Part Number	Qty.	Description
11	32151-36	2	Ring-Retaining
12	105-3042	2	Knob-Lever, HOC
13	322-3	4	Screw-HH
14	3296-29	4	Nut-Lock, NI
15	115-1992	1	Transmission
16	114-7978-03	1	Bracket-Transmission
17	110-7191	2	Washer-Thrust
18	32151-61	2	Ring-Retaining
19	108-7476	3	Screw-Plastite
20	115-4665	2	Gear-Pinion, 13T
21	117-1018	1	V-Belt

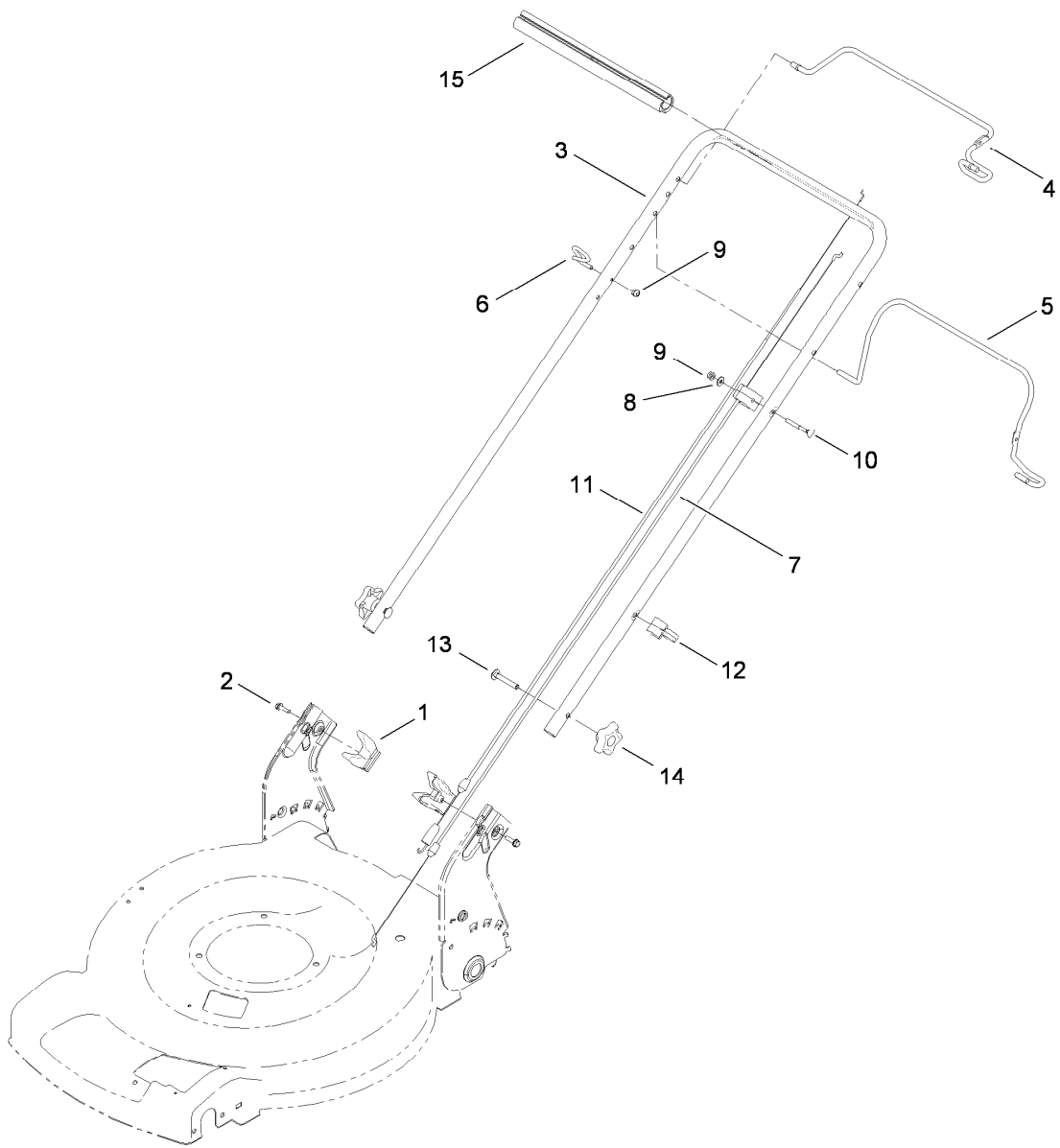


## Engine and Blade Assembly

Ref.	Part Number	Qty.	Description
1		1	Engine-Briggs, 126L02-3126-F1 ●■
2	105-3031-03	1	Guide-Belt
3	106-3999	1	Spacer-Driver
4	106-3987	1	Blade Driver ASM
5	108-9764-03	1	Blade-22 Inch
6	108-3766-03	1	Support-Blade
7	105-8579	1	Bolt-Blade
8	95-1726	3	Screw-Taptite
9	104-7577-03	1	Shield-Muffler
10	32144-1	3	Screw-Taptite
11	2210-316	1	Stop-Rope
12	117-1017	1	Decal
13	117-2718	1	Decal-Arrester, Spark

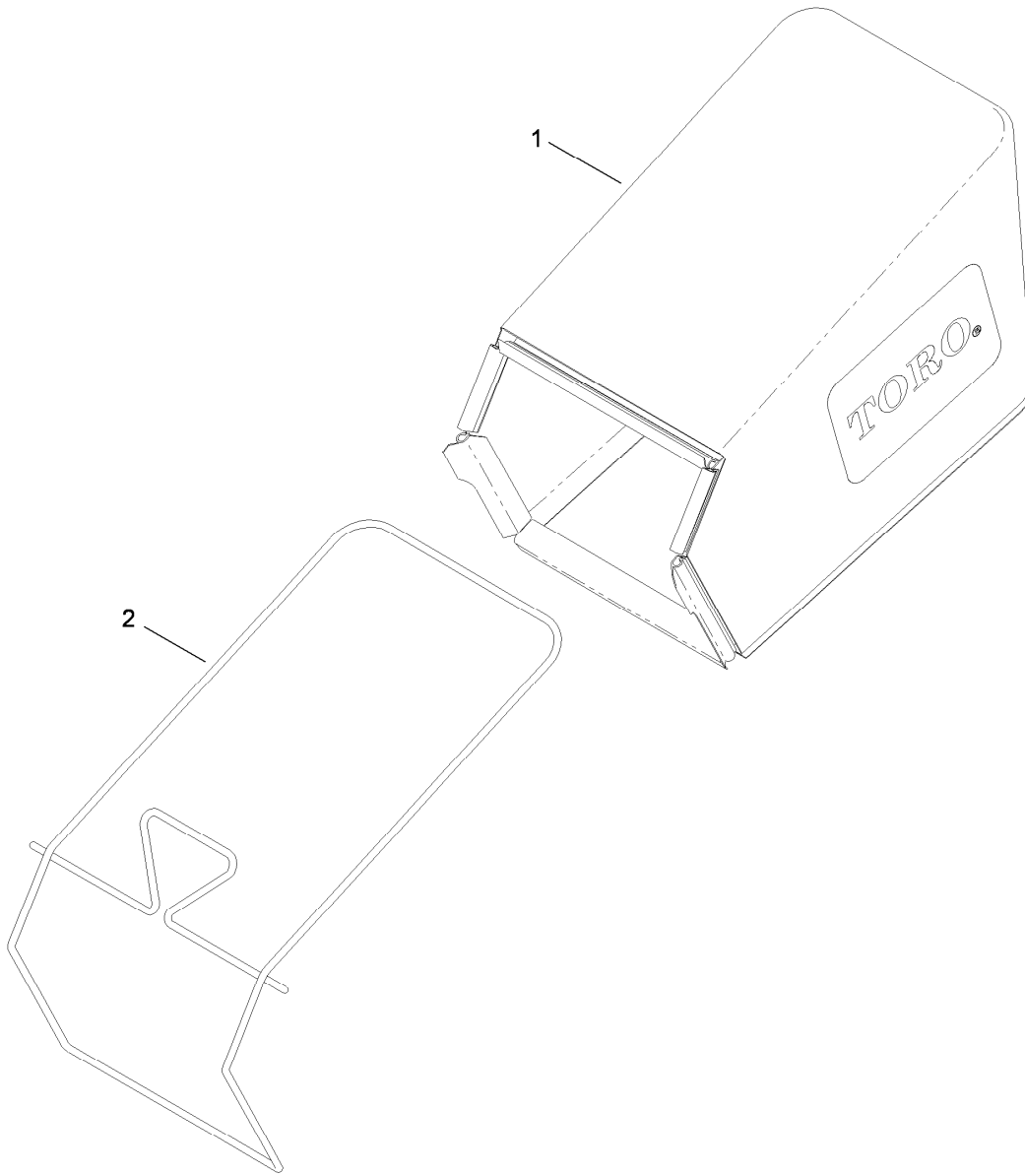
● Not serviced separately

■ Obtain parts from [www.briggsandstratton.com](http://www.briggsandstratton.com)



## Handle Assembly

<b>Ref.</b>	<b>Part Number</b>	<b>Qty.</b>	<b>Description</b>
1	115-2866	2	Anchor-Bag
2	46-8091	2	Screw-HWH
3	119-3810-05	1	Handle
4	119-2378-03	1	Bail-Traction
5	117-5965-03	1	Bail-Brake
6	86-9671	1	Guide-Rope
7	112-8818	1	Cable-Brake
8	3256-1	1	Washer-Flat
9	3296-73	2	Nut-Lock, NI
10	92-2270	1	Screw-Handle
11	119-2379	1	Cable-Traction
12	114-7988	1	Guide-Cable
13	3230-6	2	Screw-CARR
14	117-5976	2	Knob-Handle, Locking
15	119-2357	1	Grip-Handle, Comfort



## Rear Bag Assembly

<i>Ref.</i>	<i>Part Number</i>	<i>Qty.</i>	<i>Description</i>
1	115-4664	1	Grass Bag ASM
2	114-2639-03	1	Bag Frame ASM

# Attachments and Accessories

## For 20350 22in Recycler Lawn Mower

**Product Name**

**Model/Part**

22 inch Blade Kit..... 59534

**Notes:**



**Count on it.**