



Count on it.

Parts Catalog

GrandStand® Mower

With 60in TURBO FORCE® Cutting Unit

Model No. 79553—Serial No. 31000001 and Up

Ordering Replacement Parts

To order replacement parts, please supply the part number, the quantity, and the description of each part desired.

Understanding Reference Numbers

Each identified part in an illustration has a reference number. The reference number for a part also appears in the parts list, along with other information about the part.

This catalog uses two special reference number formats, one to indicate parts in a service assembly and another to indicate the quantity of a given part in an illustration.

Service Assembly Reference Numbers

Parts in service assemblies have reference numbers in the form a:b. The a represents the reference number of the entire service assembly and the b represents a sequential number unique to each part within the service assembly.

For example, a wheel assembly might be identified by reference number 6, the tire by 6:1, the valve by 6:2, and the wheel by 6:3. When you order the assembly identified by reference number 6, you receive all parts identified by reference numbers 6:1, 6:2, and 6:3. However, you may also order any part individually. Reference numbers of this type appear in illustration and in parts lists.

Reference Numbers Indicating Quantity

In an illustration, if a reference number indicates more than one part, the reference number has the form nX y. The n represents the quantity of the part, the X is the multiplication symbol, and the y represents the reference number.

For example, in an illustration, the reference number 2X 37 means that two of the parts identified by reference number 37 are indicated.

List of Abbreviations

AR: as required

ASM: assembly

BBC: blade brake control

BHTF: button head thread forming

CARR: carriage

CCW: counter clockwise

CW: clockwise

DEG: degrees

DPA: Dual Point Adjustment

ECM: electronic control module

EXT: external

FH: flat head

GA: gauge

HD: heavy-duty

HF: hex flange

HH: hex head

HHF: hex head flange

HHFTF: hex head flange thread forming

HJ: hex jam

HLH: hex lag head

HOC: height-of-cut

HSBH: hex socket button head

HSFH: hex socket flat head

HSH: hex socket head

HWH: hex washer head

HWHTF: hex washer head thread forming

HYD: hydraulic

LH: left hand

LP: Liquid Propane

NI: nylon insert

NPTF: national pipe thread fine

PFH: phillips flat head

PPH: phillips pan head

PPHTF: phillips pan head thread forming

PRH: phillips round head

PTH: phillips truss head

PTO: power-take-off

RH: right hand

ROPS: roll-over protection system

RRB: rear roller brush

SFH: slotted fillister head

SHH: slotted hex head

SHWH: slotted hex washer head

SPH: slotted pan head

SQH: square head

SRH: slotted round head

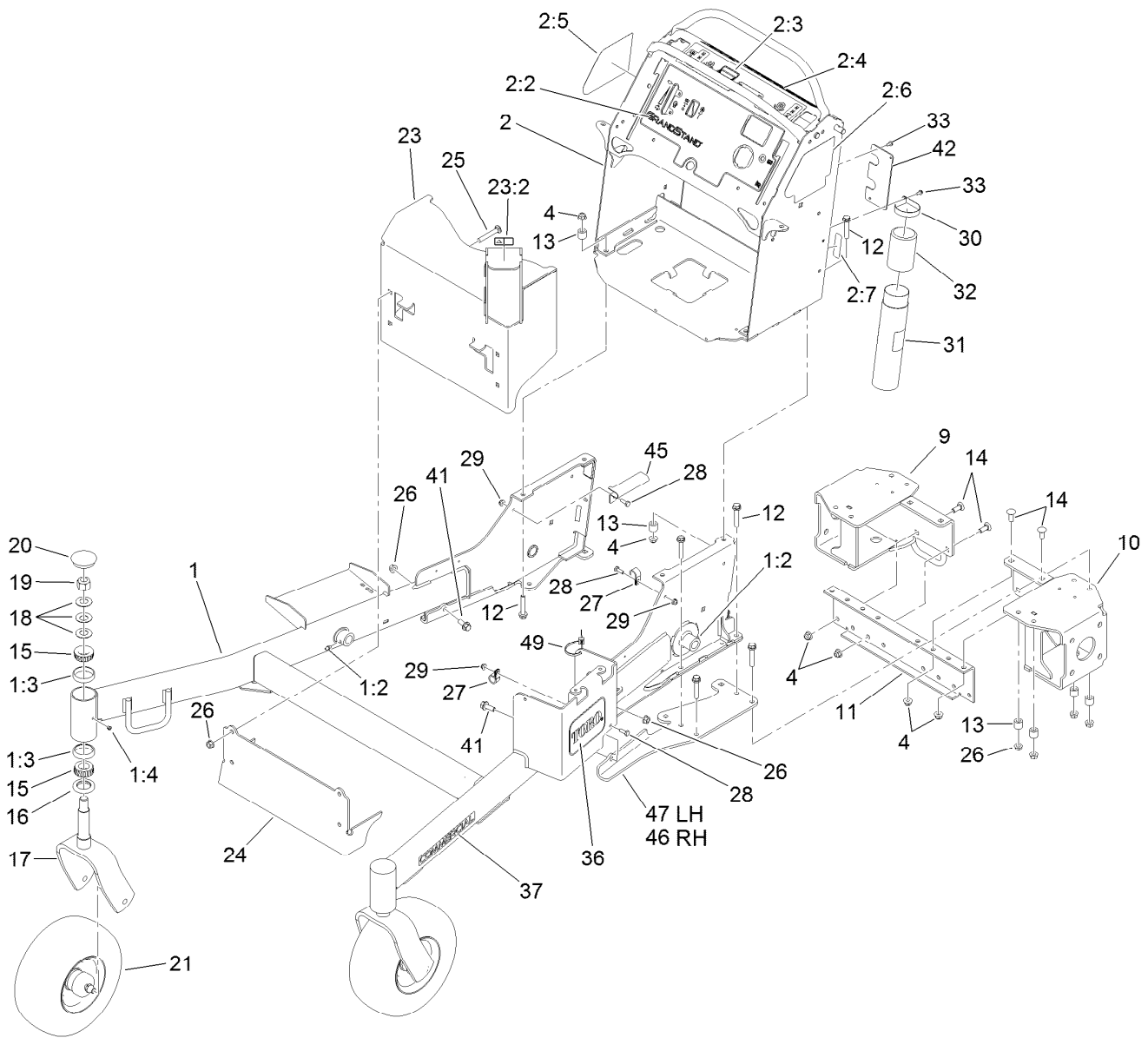
STD: standard

TAP: self tapping

TTH: torx truss head

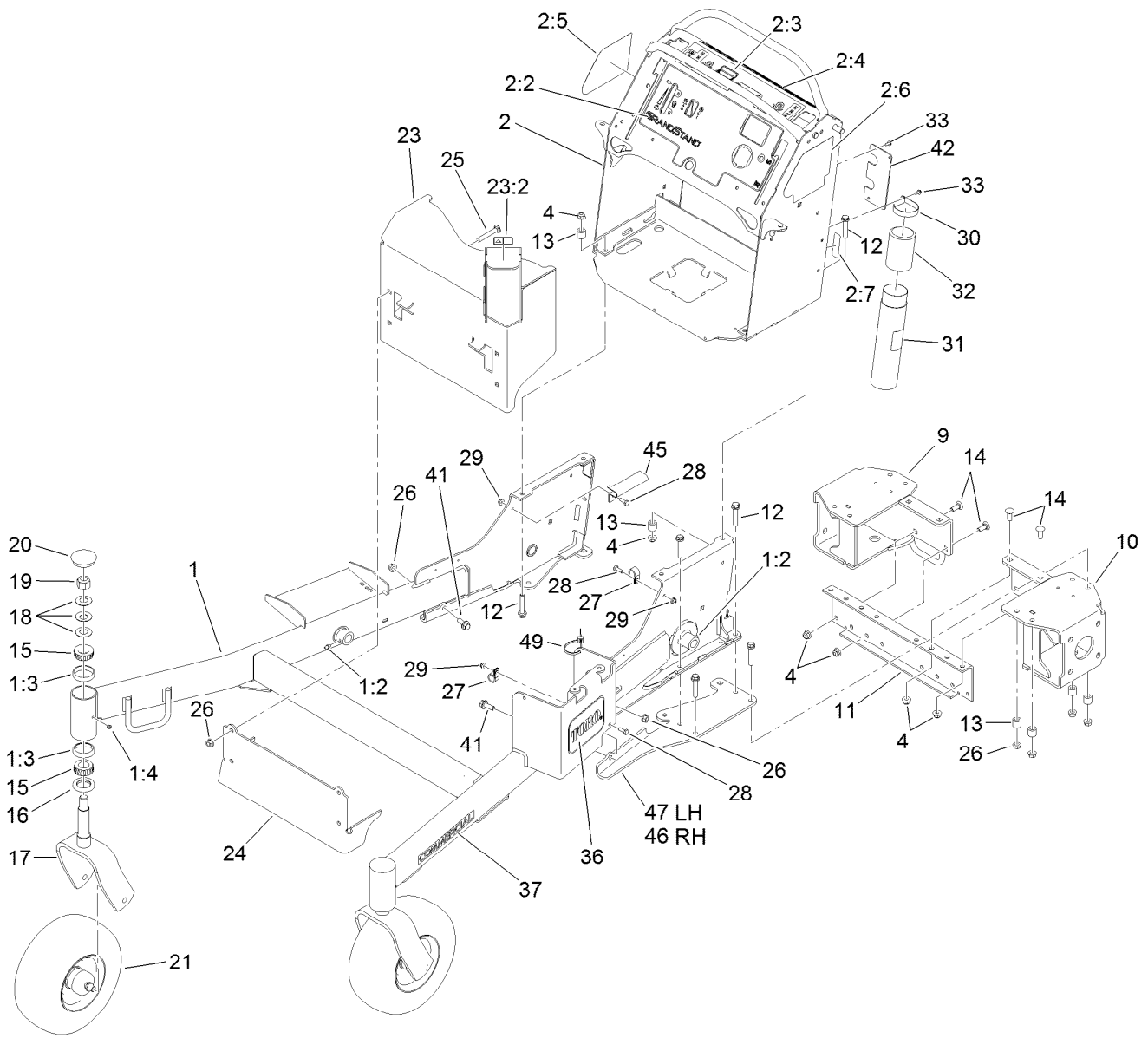
Contents

Frame Assembly.....	4
Wheel and Bearing Assembly No. 112-3810.....	6
Parking Brake Assembly.....	7
Decklift Assembly.....	8
Platform Assembly.....	10
Cushion Assembly No. 119-8742.....	11
Platform Assembly No. 117-9640.....	12
Ground Drive Assembly.....	13
Hydraulic Motor Assembly No. 114-0549.....	15
Hydraulic Pump Assembly No. 119-7375.....	16
Pump Idler Assembly.....	17
Control Assembly.....	18
Engine Assembly.....	19
Fuel Tank Assembly.....	20
Electrical Assembly.....	21
Carbon Canister Assembly.....	23
Deck Assembly.....	24
Deck Decal Assembly No. 120-6414.....	25
Idler Arm Assembly No. 120-6410.....	26
Idler Adjust Assembly No. 117-9791.....	27
Spindle Assembly No. 119-8560.....	28
Deflector Assembly No. 114-1910.....	29
Attachments and Accessories.....	30



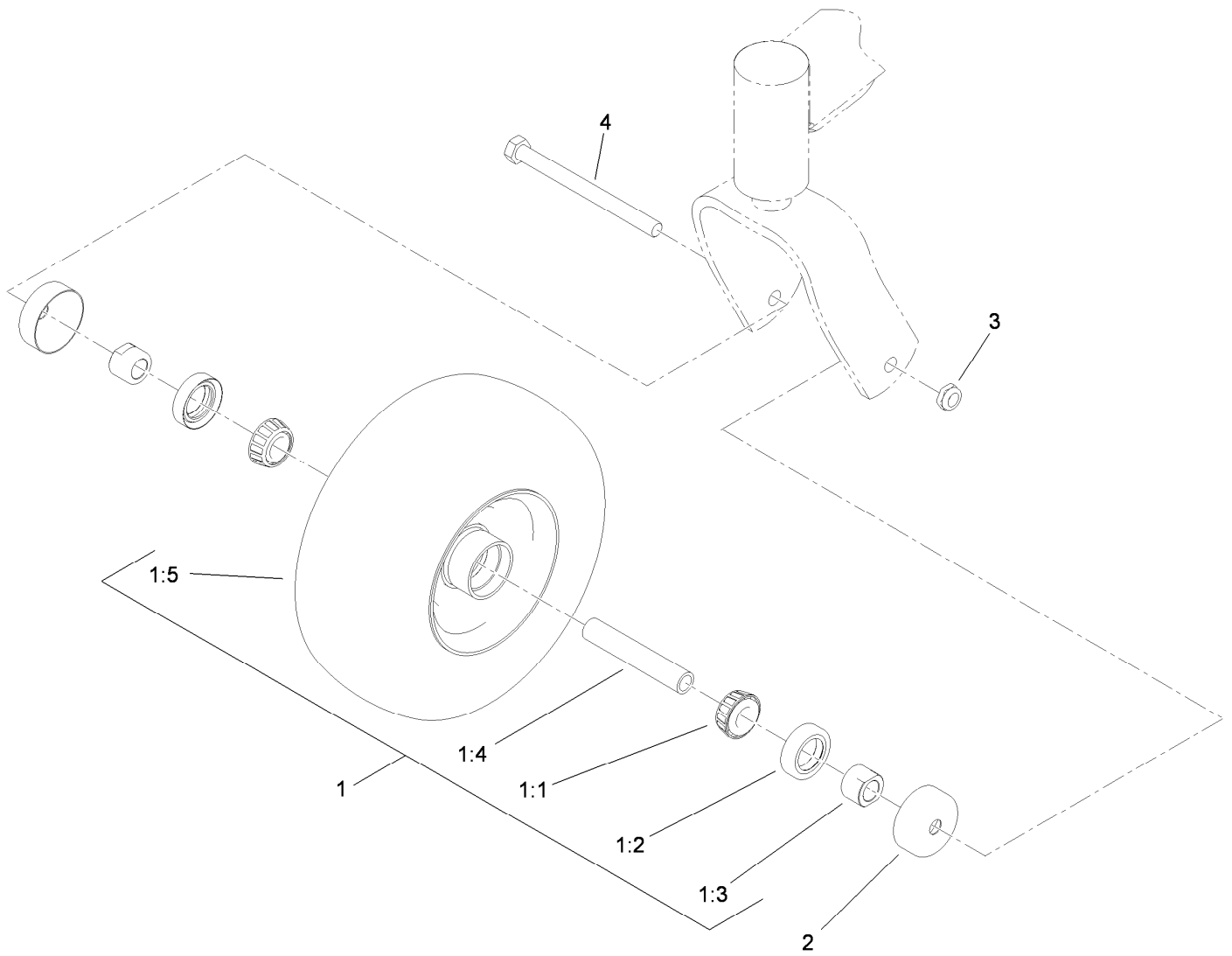
Frame Assembly

Ref.	Part Number	Qty.	Description	Ref.	Part Number	Qty.	Description
1	114-3580	1	Front Frame ASM	18	1-633508	6	Washer-Bellville
1:2	302-5	4	Fitting-Grease	19	3296-51	2	Nut-Lock, NI
1:3	1-543508	4	Cup-Bearing	20	103-4882	2	Cap-Grease
1:4	1-811010	2	Plug	21	112-3810	2	Wheel/Tire And Bearing ASM
2	119-8725	1	Control Tower ASM	23	116-2490	1	Muffler Guard ASM
2:2	119-8728	1	Decal-Control Panel	23:2	106-5517	1	Decal-Warning, Hot Surface
2:3	119-8727	1	Decal-Opc	24	116-3113-01	1	Panel-Guard
2:4	117-3626	1	Decal-Warning	25	3231-31	4	Screw-CARR
2:5	117-0456	1	Decal-HOC	26	32128-21	14	Nut-HF
2:6	119-7382	1	Decal-Service Aid	27	2412-87	2	Clamp-Cable
2:7	116-3267	1	Decal-Fuse	28	321-4	3	Screw-HH
4	104-8301	12	Nut-Flange, NI	29	104-7201	3	Nut-HF
9	119-7222-01	1	RH Motor Mount ASM	30	2412-120	2	R-Clamp
10	119-7220-01	1	LH Motor Mount ASM	31	104-7050	1	Tube-Manual
11	119-7224-01	1	Mount-Motor, Center	32	104-7048	1	Cap-Housing
12	108-3742	12	Screw-HHF	33	32144-1	4	Screw-Taptime
13	98-8895	12	Spacer	36	68-3640	1	Decal
14	3231-22	8	Screw-CARR	37	117-3591	2	Decal-Commercial
15	1-543509	4	Bearing-Roller, Tapered	41	3234-42	2	Screw-HHF
16	1-543511	2	Seal-Grease	42	119-8736-01	1	Plate-Manual
17	103-8618-01	2	Fork-Caster				



Frame Assembly (continued)

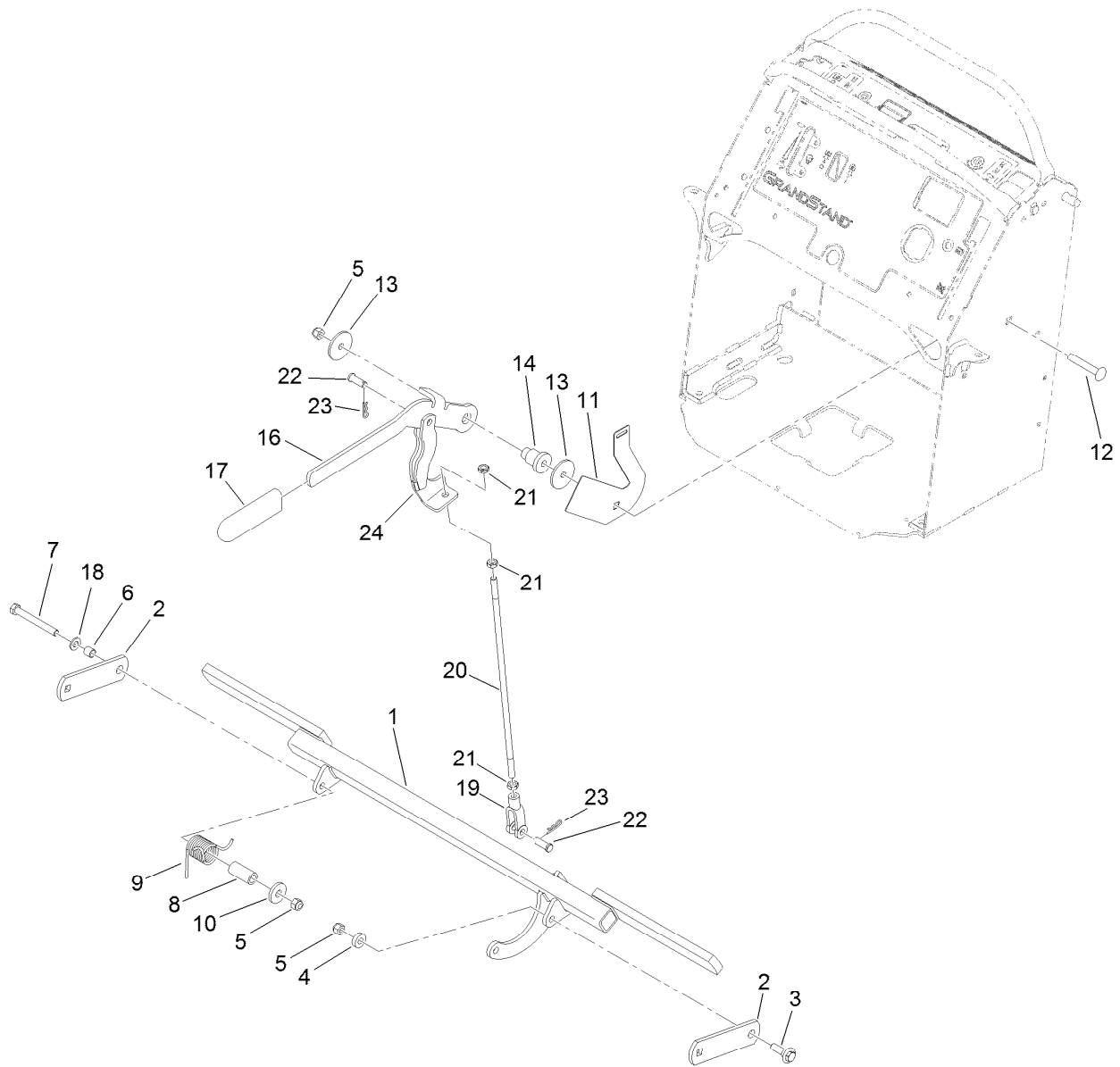
<i>Ref.</i>	<i>Part Number</i>	<i>Qty.</i>	<i>Description</i>	<i>Ref.</i>	<i>Part Number</i>	<i>Qty.</i>	<i>Description</i>
45	116-5067	1	Bracket-Hose, Fuel (Double)	47	119-8722-01	1	Plate-Shim, LH
46	119-8721-01	1	Plate-Shim, RH	49	3290-378	1	Cable Tie



Wheel and Bearing Assembly No. 112-3810

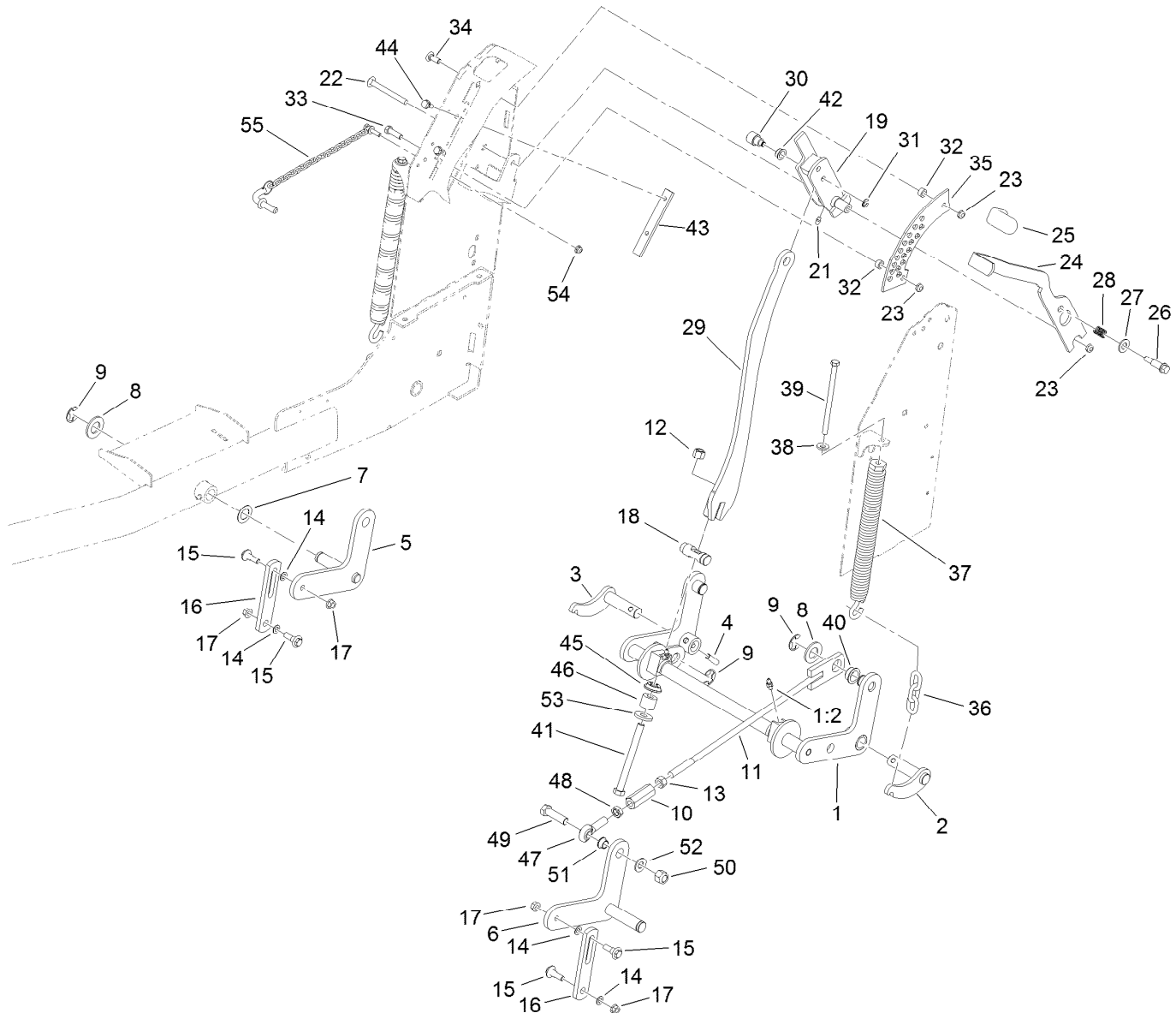
Ref.	Part Number	Qty.	Description
1		1	Wheel And Bearing ASM ●
1:1	1-633585	2	Bearing-Cone, Taper
1:2	103-0063	2	Seal-Caster
1:3	103-3051	2	Spacer-Nut
1:4	103-3157	1	Axle-Caster
1:5	110-9965	1	Wheel And Tire ASM
2	103-2768	2	Guard-Seal
3	3296-45	1	Nut-Lock, NI
4	325-20	1	Screw-HH

● Not serviced separately



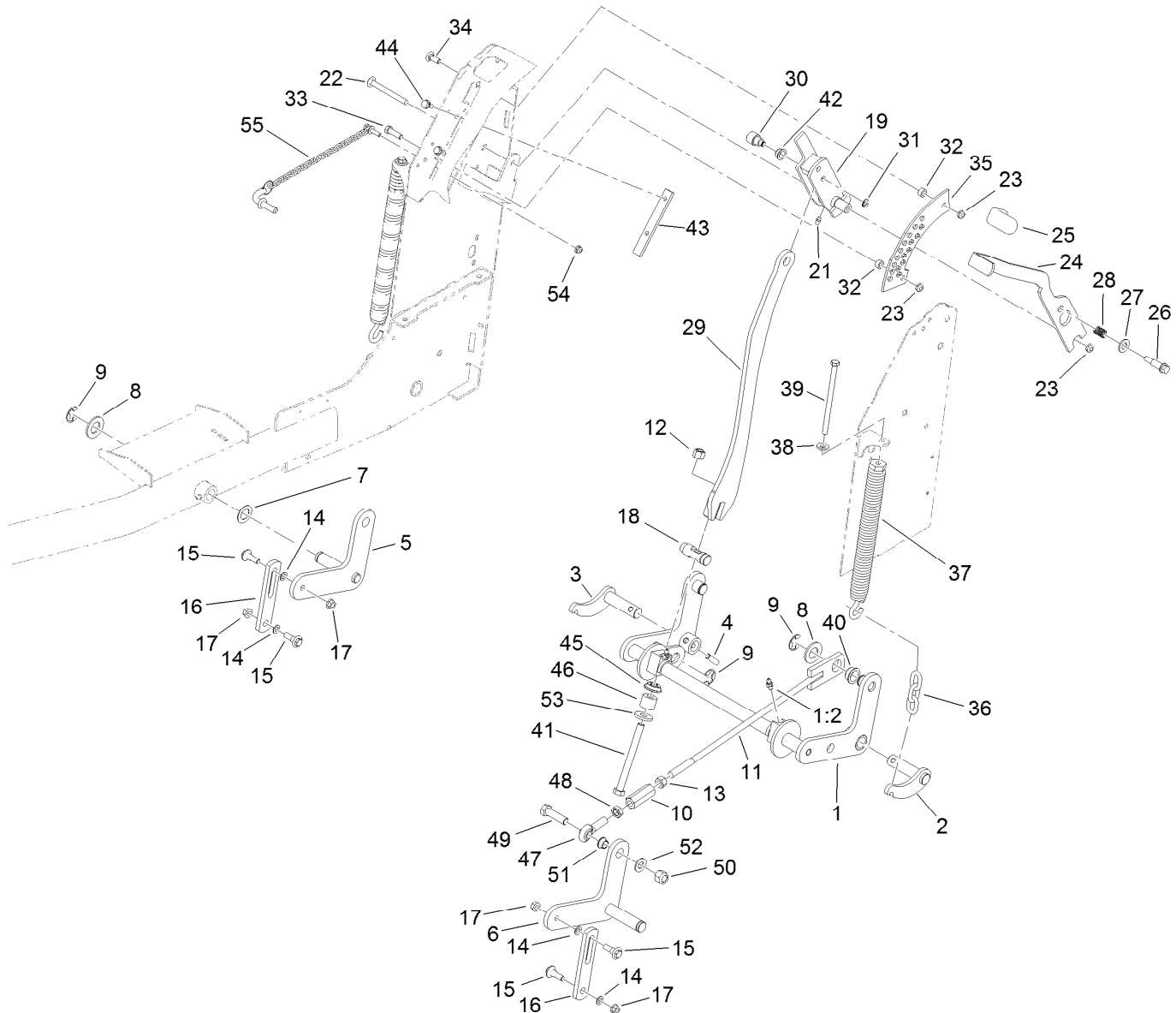
Parking Brake Assembly

Ref.	Part Number	Qty.	Description	Ref.	Part Number	Qty.	Description
1	119-8730-03	1	Brake Bar ASM	13	63-7400	2	Washer-Rebound
2	114-5186-01	2	Support-Brake	14	106-3214	1	Mount-Pulley
3	614672	1	Bolt-Shoulder	16	117-5759-03	1	Lever-Brake
4	5-0652	1	Spacer	17	1-633268	1	Grip-Lever
5	3296-39	3	Nut-Lock, NI	18	3256-24	1	Washer-Flat
6	117-9684	1	Spacer	19	1-633131	1	Yoke-Linkage, Brake
7	323-20	1	Screw-HH	20	119-7244	1	Rod-Brake
8	117-9683	1	Spacer	21	3220-3	3	Nut-HJ
9	117-9682	1	Spring-Torsion	22	283-2	2	Pin-Clevis
10	1-373034	1	Washer	23	3290-307	2	Pin-Hair
11	117-0452-03	1	Plate-Switch, Brake	24	119-8780-03	1	Brake Arm ASM
12	3231-44	1	Screw-CARR				



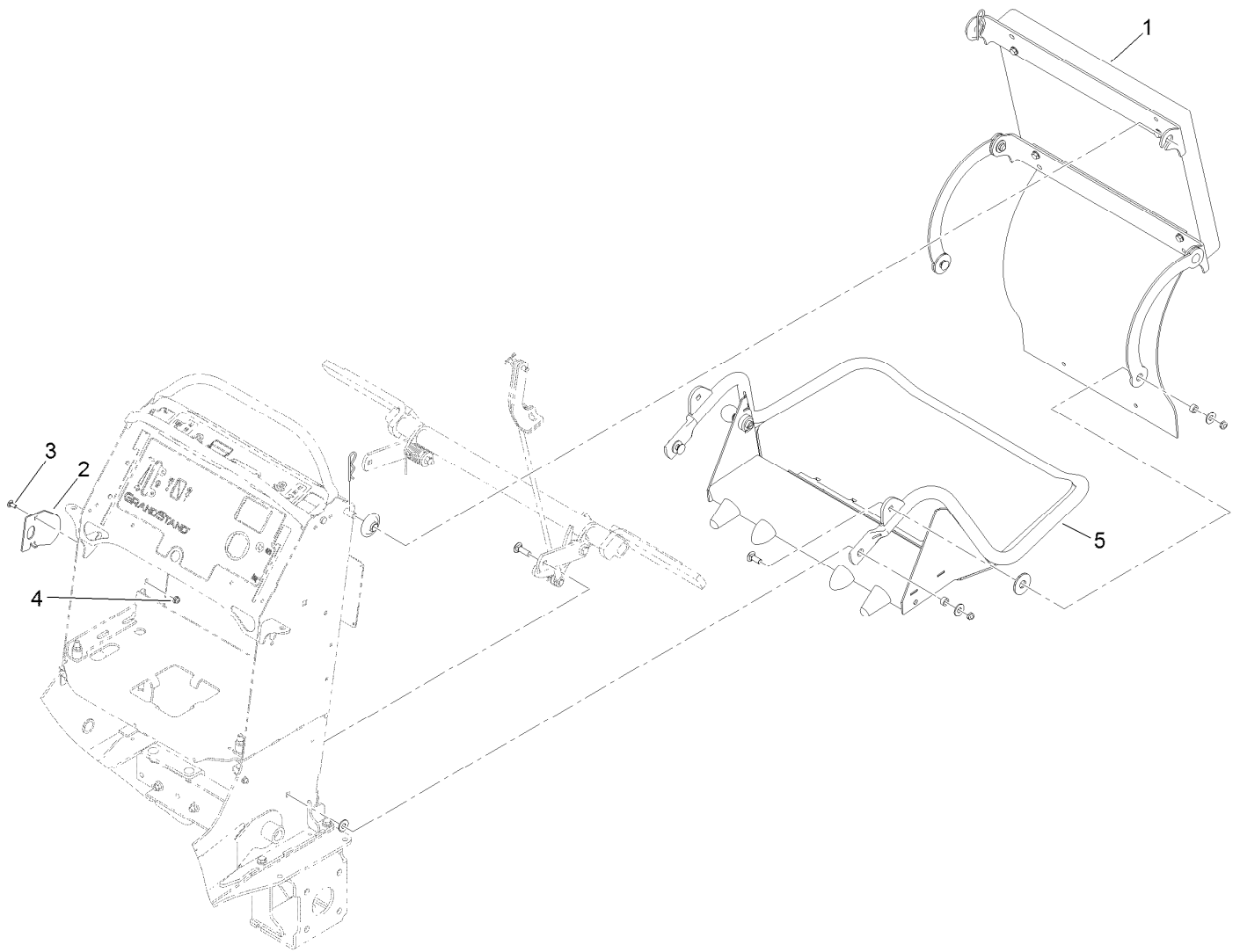
Decklift Assembly

Ref.	Part Number	Qty.	Description	Ref.	Part Number	Qty.	Description
1	116-3103	1	Rear Crossshaft ASM	22	3231-24	1	Screw-CARR
1:2	302-11	2	Fitting-Lube, 45 DEG	23	3296-59	3	Nut-Lock, NI
2	116-3104-01	1	LH Pivot Shaft ASM	24	114-1878-03	1	Lever-HOC
3	116-3105-01	1	RH Pivot Shaft ASM	25	1-633268	1	Grip-Lever
4	116-3107	2	Pin-Spiral	26	66-0561	1	Screw-Shoulder
5	119-7301-01	1	RH Lift ASM	27	3256-26	1	Washer-Flat
6	119-7302-01	1	LH Lift ASM	28	65-9940	1	Spring
7	110-6767	2	Washer-Thrust	29	116-2939	1	Bar-Lift
8	3256-29	4	Washer-Flat	30	116-3048	1	Hub-Pivot
9	32151-103	5	Ring-Retaining, EXT	31	32151-47	1	Ring-Retaining
10	119-7250	2	Link-Lift	32	111044	2	Spacer
11	119-7306	2	Lift Rod ASM	33	323-7	1	Screw-HH
12	3296-23	1	Nut-Lock, NI	34	3231-22	1	Screw-CARR
13	3217-9	2	Nut-HH	35	114-5307	1	Bracket-HOC
14	40-1940	4	Washer	36	103-9859	2	Chain-Decklift, Front
15	109-9840	4	Screw-Shoulder, HHF	37	116-0886	2	Extension Spring ASM
16	117-0519	2	Link-Lift	38	98-5975	2	Washer-Belleville
17	32128-21	4	Nut-HF	39	323-58	2	Bolt-TAP, HH
18	114-5274	1	Pin-HOC	40	116-2909	2	Bearing-Flange
19	114-3512	1	HOC Handle ASM	41	325-22	1	Screw-HH
21	302-5	1	Fitting-Grease	42	116-3047	1	Bearing-Flange



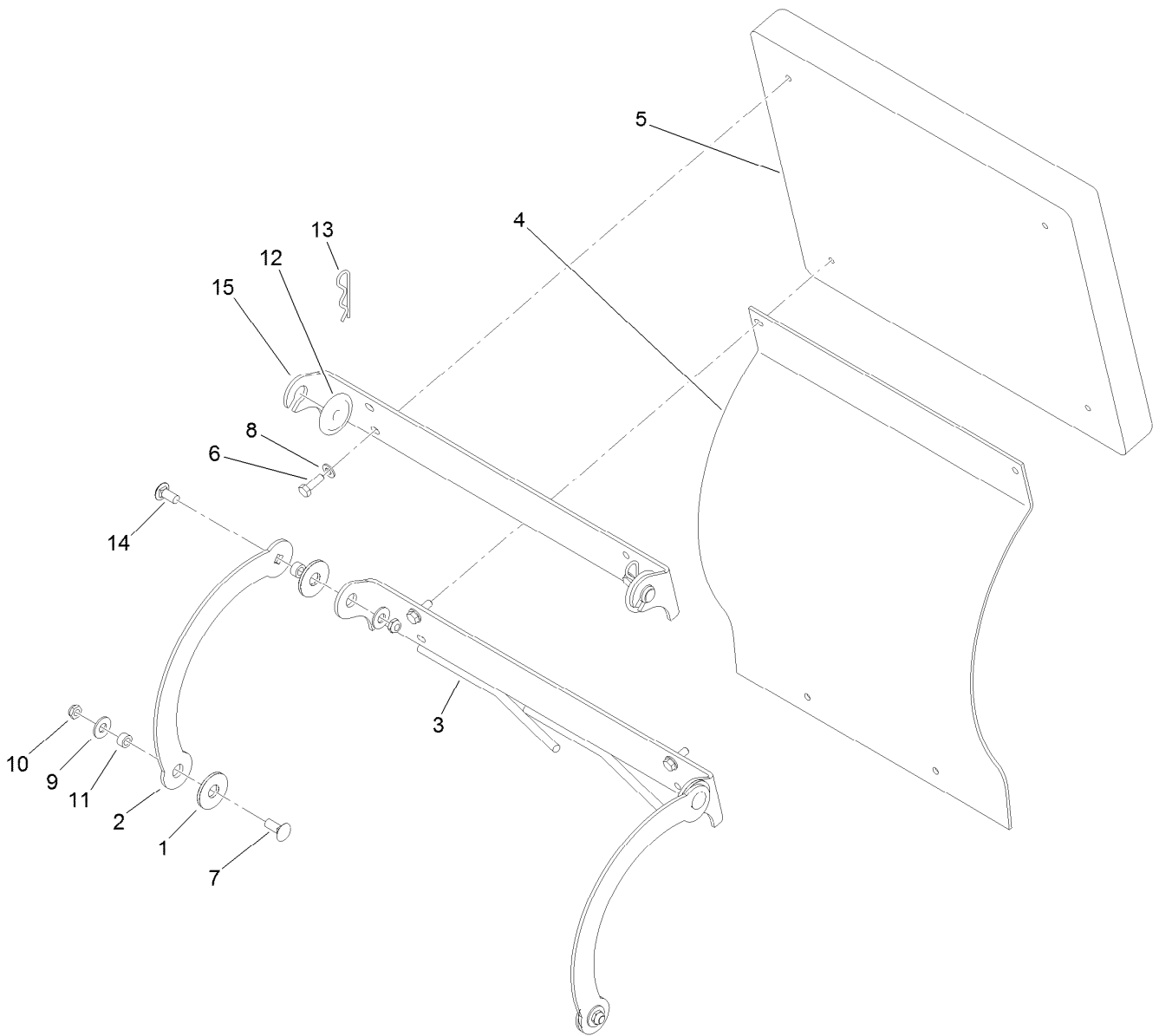
Decklift Assembly (continued)

<i>Ref.</i>	<i>Part Number</i>	<i>Qty.</i>	<i>Description</i>	<i>Ref.</i>	<i>Part Number</i>	<i>Qty.</i>	<i>Description</i>
43	116-3124	1	Skid-Handle, Lift	50	3296-53	2	Nut-Lock, NI
44	32144-11	2	Screw-HWHTF	51	80-1290	2	Bushing
45	116-3625	1	Seat-Spring	52	3256-27	2	Washer-Flat
46	116-3241	1	Spring-Urethane	53	92-2651	1	Washer
47	117-5291	2	Balljoint-Spherical	54	104-7201	1	Nut-HF
48	117-5293	2	Nut-Jam	55	114-0409	1	HOC Pin ASM
49	327-22	2	Screw-HH				



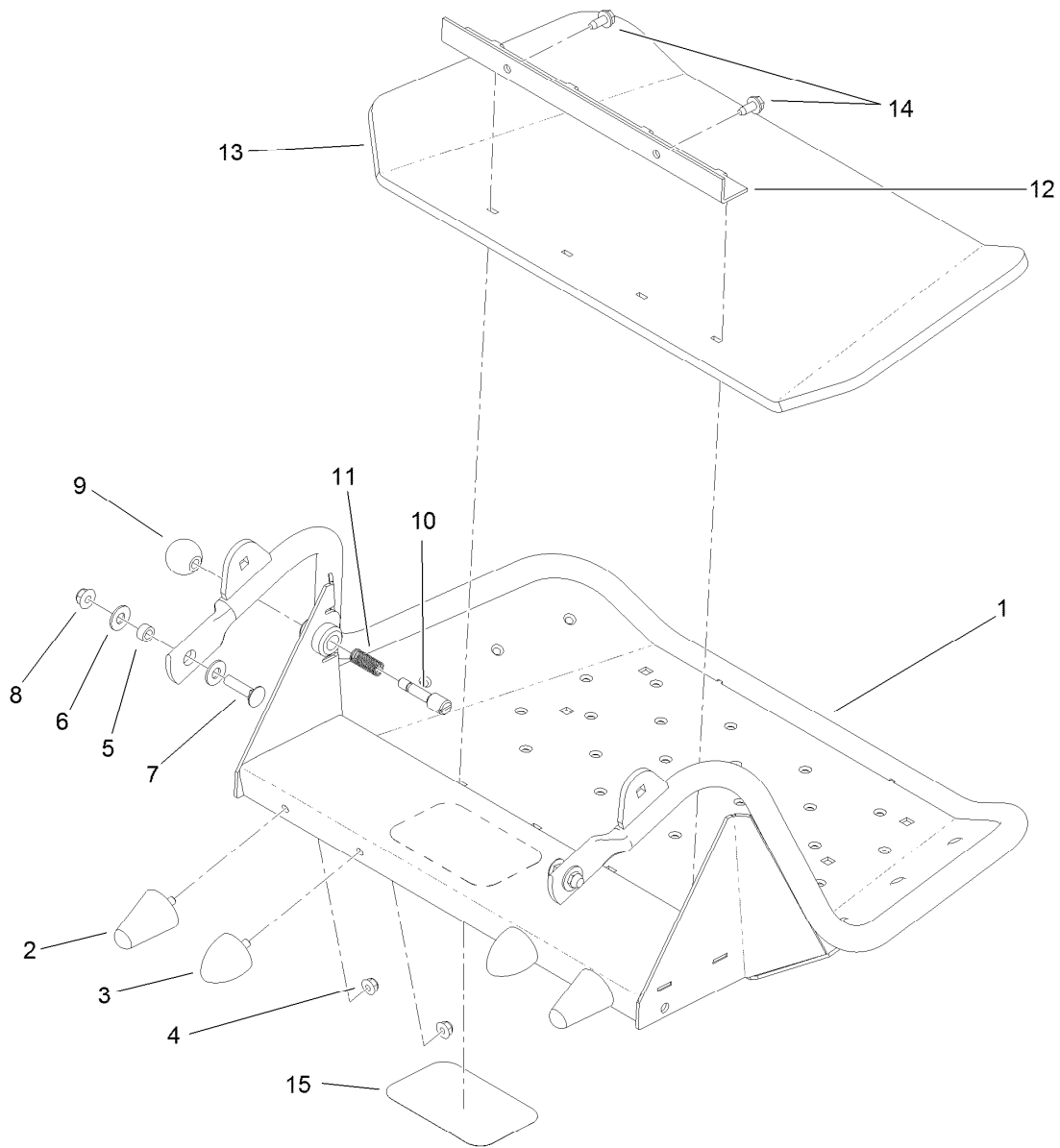
Platform Assembly

<i>Ref.</i>	<i>Part Number</i>	<i>Qty.</i>	<i>Description</i>
1	119-8742	1	Cushion ASM
2	119-7312	1	Plate-Striker
3	3229-11	1	Screw-CARR
4	104-7201	1	Nut-HF
5	117-9640	1	Platform ASM



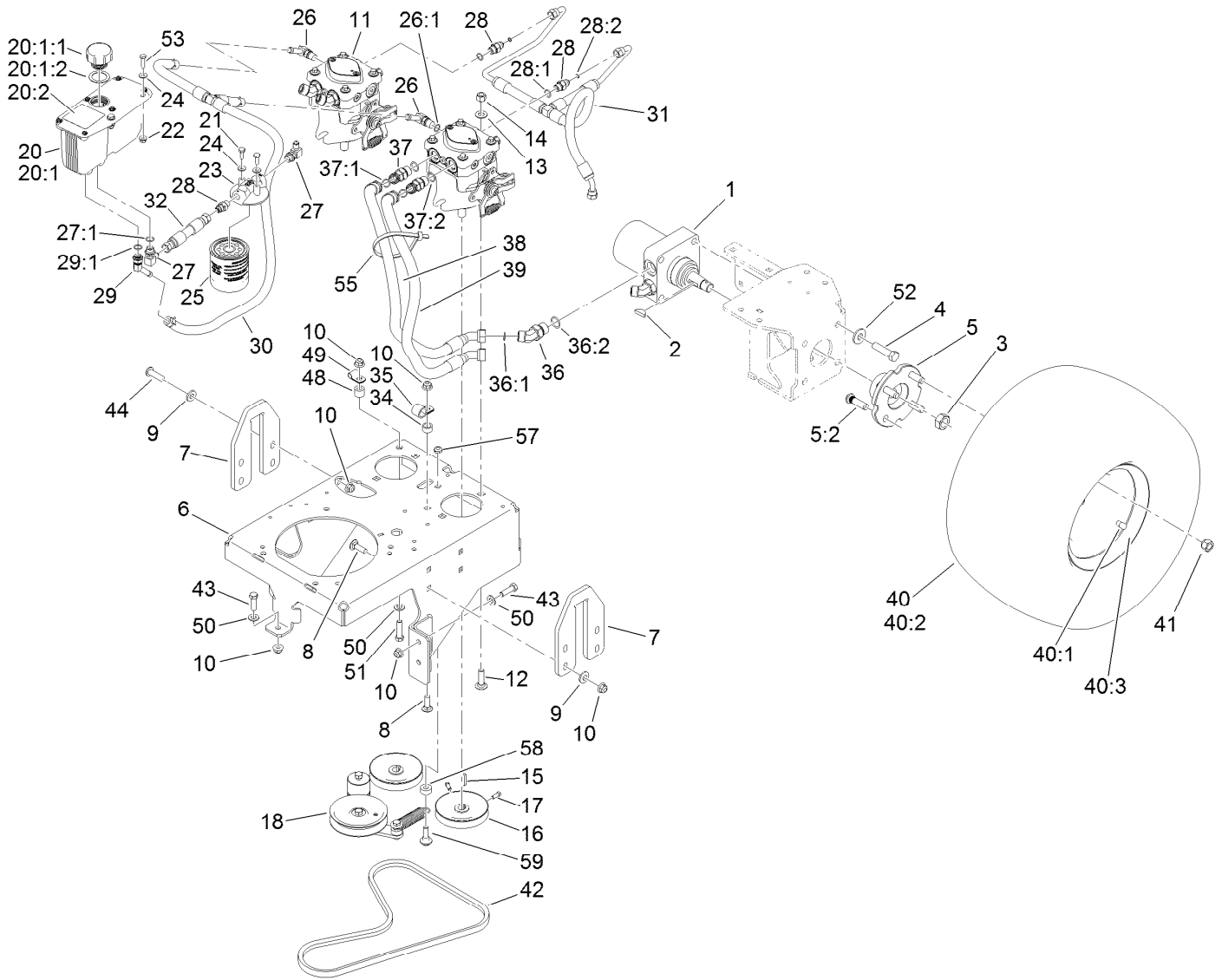
Cushion Assembly No. 119-8742

<i>Ref.</i>	<i>Part Number</i>	<i>Qty.</i>	<i>Description</i>
1	114-0463	4	Washer-Friction, Composite
2	114-1915-01	2	Link-Pad
3	119-7369-03	1	Lower Hinge ASM
4	114-1919	1	Shield-Rear
5	117-9739	1	Pad-Cushion
6	116-0648	4	Screw-HH, Thread Locking
7	3231-2	2	Screw-CARR
8	3256-23	4	Washer-Flat
9	3256-4	4	Washer-Flat
10	3296-59	4	Nut-Lock, NI
11	111044	4	Spacer
12	116-2886	2	Slide-Bushing
13	3290-355	2	Pin-Hair
14	3231-27	2	Screw-CARR
15	116-2757-03	1	Hinge-Pad



Platform Assembly No. 117-9640

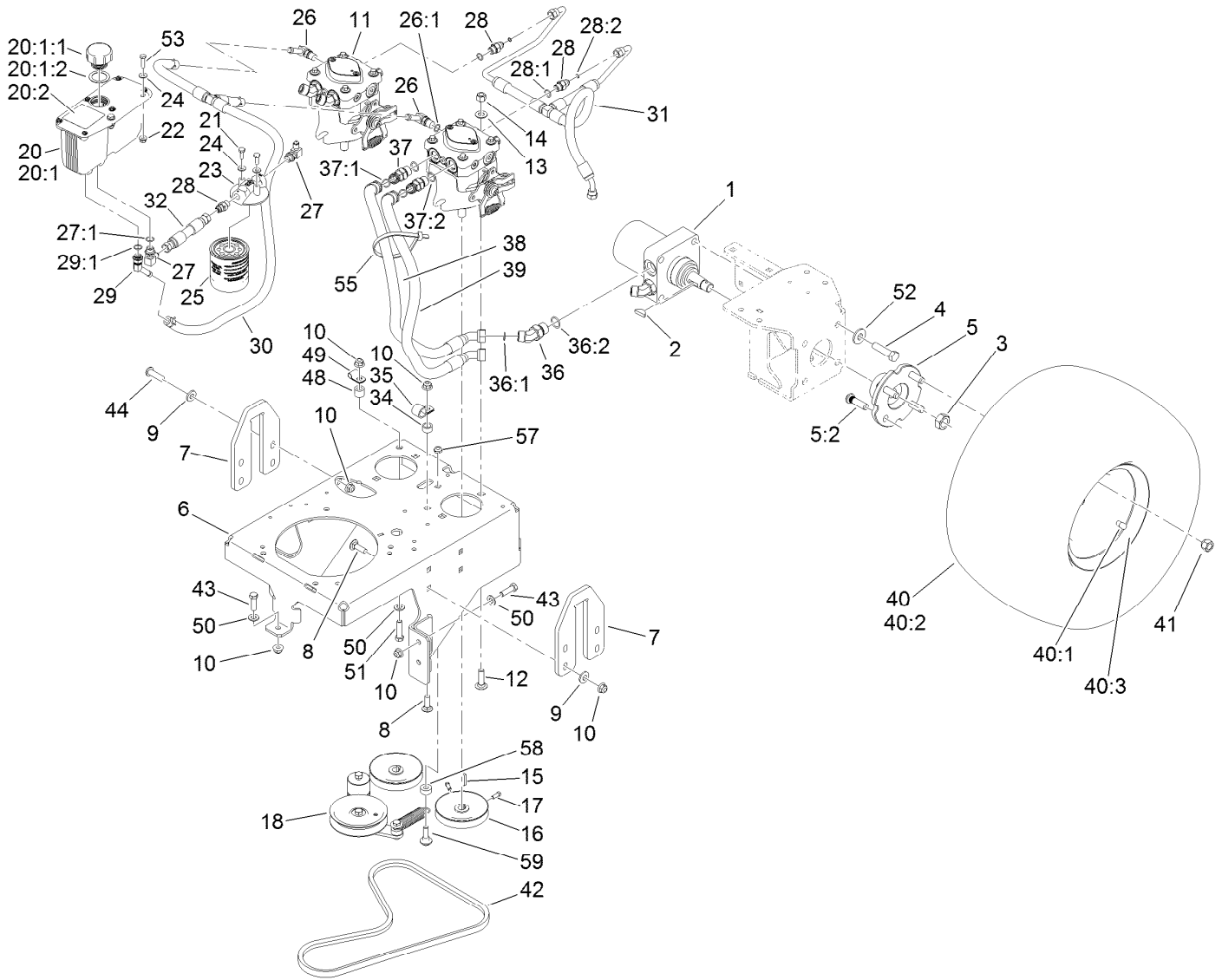
<i>Ref.</i>	<i>Part Number</i>	<i>Qty.</i>	<i>Description</i>
1	117-9641-01	1	Platform ASM
2	114-1925	2	Bumper-Rubber
3	114-1926	2	Bumper-Rubber
4	104-8300	4	Nut-Flange, NI
5	111044	2	Spacer
6	3256-4	4	Washer-Flat
7	3231-4	2	Screw-CARR
8	104-8301	2	Nut-Flange, NI
9	1-603175	1	Knob-Ball
10	119-8650	1	Pin-Latch
11	114-5348	1	Spring
12	114-1920-03	1	Clamp-Shield
13	114-5349	1	Mat-Foot
14	32144-70	2	Screw-HWHTF
15	68-3640	1	Decal



Ground Drive Assembly

Ref.	Part Number	Qty.	Description	Ref.	Part Number	Qty.	Description
1	114-0549	2	HYD Motor ASM	18		1	Pump Idler ASM ●
2	3257-8	2	Key-Woodruff	20	107-8433	1	HYD Reservoir ASM
3	85-7310	2	Nut-Motor, Wheel	20:1		1	Reservoir-HYD ●
4	325-8	8	Screw-HH	20:1:1	103-1948	1	Cap-Reservoir, HYD
5	105-0800	2	Wheel Hub ASM	20:1:2	103-1949	1	Gasket-Cap
5:2	10-6830	4	Stud-Type, Drive	20:2	115-4212	1	Decal-Warning
6	119-8710-01	1	Base-Engine	21	321-4	2	Screw-HH
7	119-8662	2	Plate-Lift	22	32128-32	2	Nut-HHF
8	3231-25	8	Screw-CARR	23	104-7836	1	Head-Filter
9	98-5975	8	Washer-Belleville	24	3256-22	4	Washer-Flat
10	104-8301	15	Nut-Flange, NI	25	114-3494	1	Element-Filter, 25 Micron
11	119-7375	2	Hydraulic Pump ASM	26	100-4887	2	Fitting-Barbed, 90 DEG
12	3232-3	4	Screw-CARR	26:1	237-42	1	O-Ring
13	3256-25	4	Washer-Flat	27	103-1802	2	Fitting-HYD, 90 DEG
14	3296-48	4	Nut-Lock, NI	27:1	1-603921	1	O-Ring
15	1-807272	2	Key	28	103-2156	3	Fitting-Straight
16	105-5648	2	Pulley-Pump	28:1	1-603921	1	O-Ring
17	3241-5	4	Screw-Set	28:2	103-1020	1	O-Ring

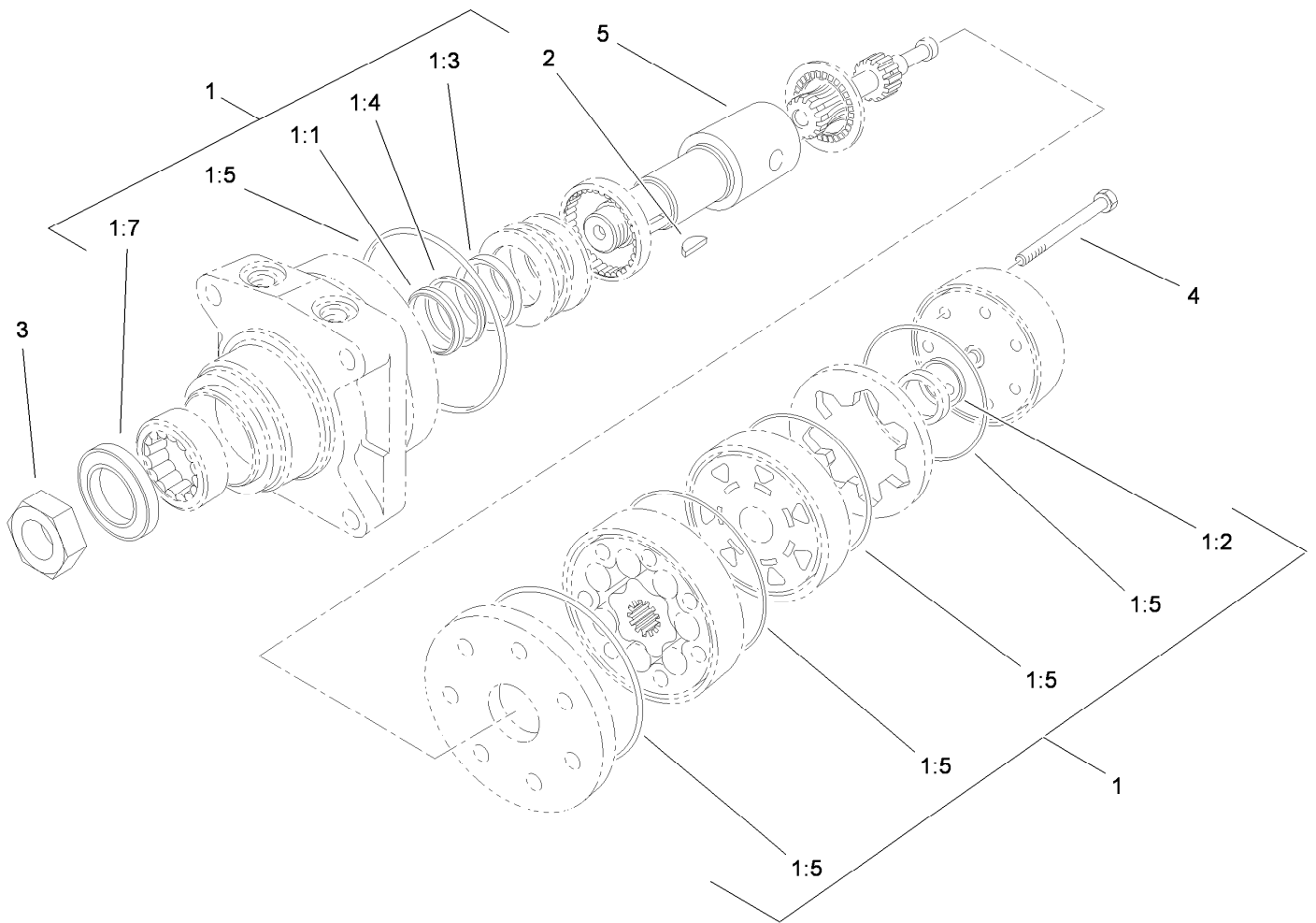
● Not serviced separately



Ground Drive Assembly (continued)

Ref.	Part Number	Qty.	Description	Ref.	Part Number	Qty.	Description
29	103-1807	1	Fitting-Barbed, 45 DEG	40:2	117-0428	1	Tire
29:1	237-42	1	O-Ring	40:3	106-8133	1	Rim-8 Inch
30	116-2579	1	Tank Hose ASM	41	242-50	8	Nut-Lug
31	119-8732	1	Charge Hose ASM	42	114567	1	Belt-V, Lower PTO
32	116-2604	1	HYD Hose ASM	43	323-7	5	Screw-HH
34	1-653069	1	Spacer-Wheel	44	3274-63	1	Screw-HSBH
35	1-633396	1	Clip-Loom	48	108326	1	Spacer-Pivot
36	340-89	4	Fitting-HYD, 45 DEG	49	116-3362	1	Clip-Tube
36:1	237-30	1	O-Ring	50	3256-24	6	Washer-Flat
36:2	237-80	1	O-Ring	51	323-8	1	Screw-HH
37	340-101	4	Fitting-HYD, 45 DEG	52	1-513435	8	Washer-Spring
37:1	237-30	1	O-Ring	53	321-6	2	Screw-HH
37:2	237-79	1	O-Ring	55	103-2446	2	Tie-Plastic
38	117-0442	2	HYD Hose ASM	57	3296-59	1	Nut-Lock, NI
39	117-0449	2	HYD Hose ASM	58	104-8426	1	Spacer
40	117-0429	2	Wheel ASM	59	614672	1	Bolt-Shoulder
40:1	232-27	1	Stem-Valve				

● Not serviced separately

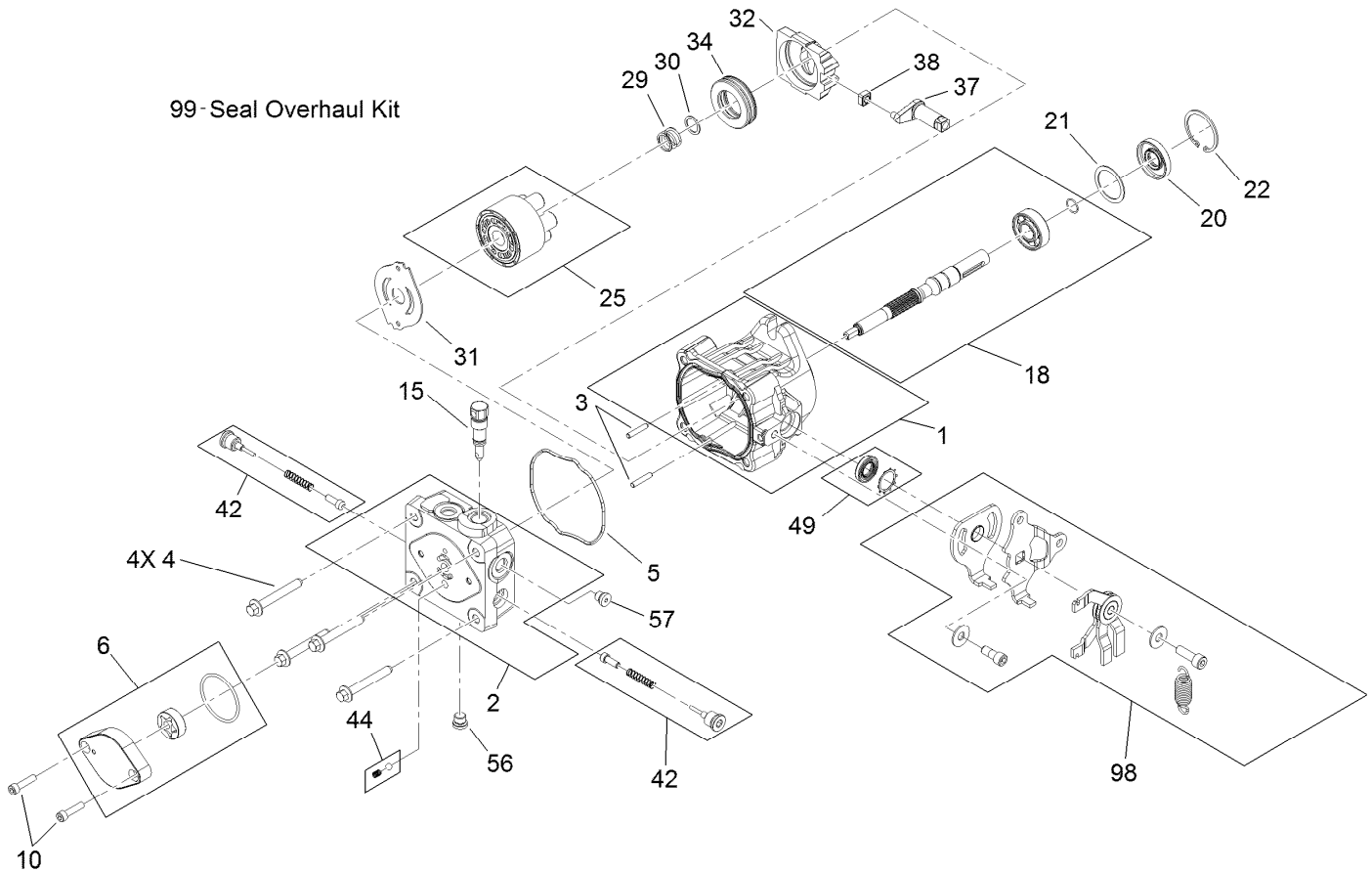


Hydraulic Motor Assembly No. 114-0549

Ref.	Part Number	Qty.	Description
1	1-000119	1	Seal Kit
1:1		1	Ring-Back Up ●
1:2		1	Seal-Commutator ●
1:3		1	Seal-Shaft (Viton) ●
1:4		1	Washer-Back Up, Steel ●
1:5		5	Ring-Seal (Viton) ●
1:7		1	Seal-Dirt And Water ●
2	3257-8	1	Key-Woodruff
3	85-7310	1	Nut-Motor, Wheel
4	106-5549	6	Bolt-Special
5	106-8764	1	Shaft-Coupling

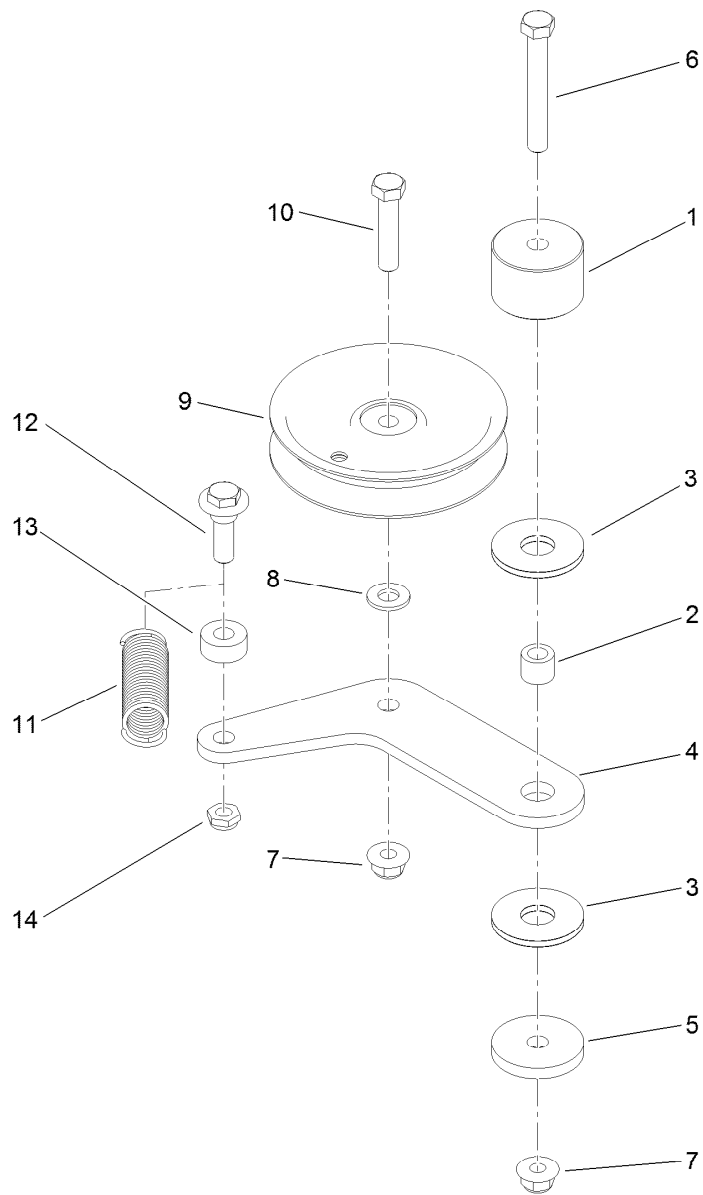
● Not serviced separately

99- Seal Overhaul Kit



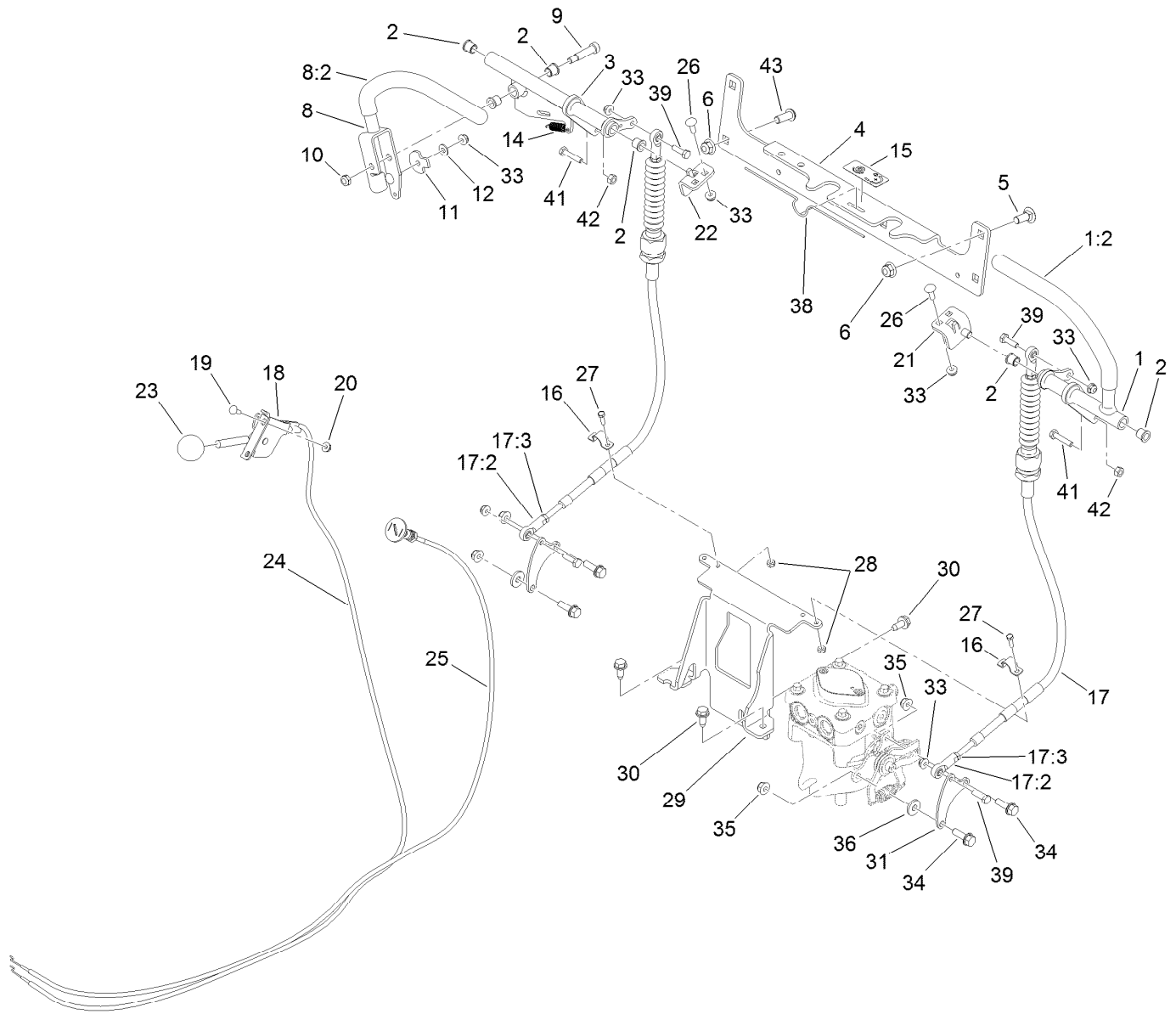
Hydraulic Pump Assembly No. 119-7375

Ref.	Part Number	Qty.	Description	Ref.	Part Number	Qty.	Description
1	115-4464	1	Housing Kit	30	94-1937	1	Washer-Thrust, Block
2	106-8752	1	End Cap Kit (W/Poppets)	31	105-6185	1	Plate-Valve
3	106-8753	2	Pin-Headless, Straight	32	94-1907	1	Swashplate-Variable
4	106-8754	4	Bolt-HF	34	94-6922	1	Bearing-Thrust
5	106-8755	1	O-Ring	37	115-4458	1	Arm-Trunnion, Tapered Square
6	106-8756	1	Charge Pump Kit	38	94-1910	1	Guide-Slot
10	104-2111	2	Capscrew	42	98-3252	2	Valve-Check (W/Poppet)
15	106-8759	1	Bypass Valve Kit	44	106-8760	1	Charge Relief Valve Kit
18	103-2664	1	Input Shaft Kit	49	106-8761	1	Trunnion Seal / Retainer Kit
20	104-5310	1	Seal-Lip	56	106-8762	1	Plug-HSH
21	104-5308	1	Spacer	57	104-2189	1	Plug-Thread, Straight
22	104-5309	1	Ring-Retaining	98	115-4046	1	Return Kit
25	103-2666	1	Cylinder Block Kit	99	105-6184	1	Seal Overhaul Kit
29	94-1936	1	Spring-Block				



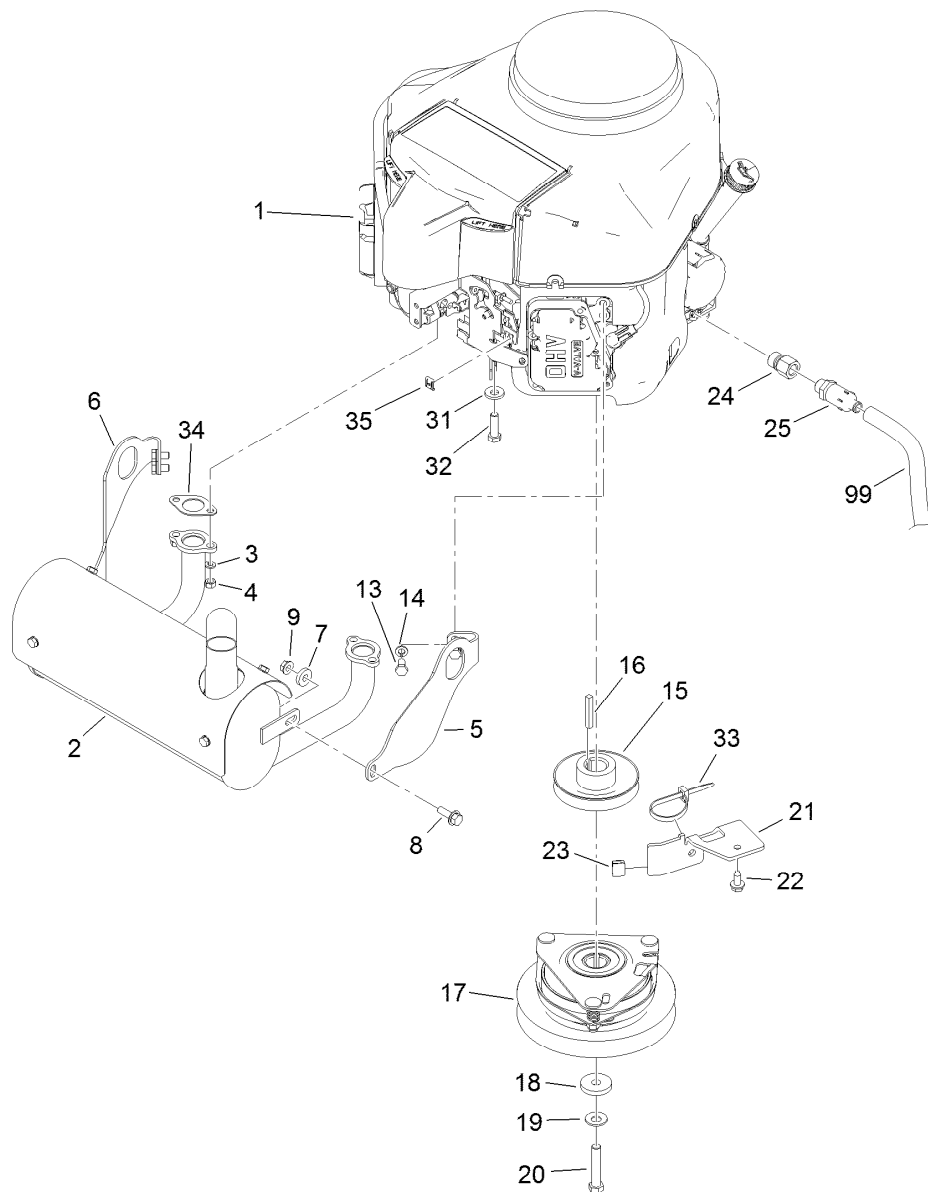
Pump Idler Assembly

<i>Ref.</i>	<i>Part Number</i>	<i>Qty.</i>	<i>Description</i>
1	117-3568	1	Hub-Idler
2	1-413088	1	Bushing-Lever, Lift
3	114-0463	2	Washer-Friction, Composite
4	119-8737	1	Plate-Idler
5	110-9981	1	Washer-Plain
6	323-13	1	Screw-HH
7	104-8301	2	Nut-Flange, NI
8	3256-24	1	Washer-Flat
9	93-1622	1	Pulley-Idler
10	323-9	1	Screw-HH
11	108-4056	1	Spring-Extension
12	614672	1	Bolt-Shoulder
13	104-8426	1	Spacer
14	3296-59	1	Nut-Lock, NI



Control Assembly

Ref.	Part Number	Qty.	Description	Ref.	Part Number	Qty.	Description
1	119-8743	1	LH Lever ASM	20	32128-17	2	Nut-Lock, Flange
1:2	119-0222	1	Grip	21	119-8690	1	LH Pivot Tab ASM
2	103-9928	6	Bearing	22	119-8718	1	RH Pivot Tab ASM
3	119-7353	1	RH Motion Control ASM	23	1-603175	1	Knob-Ball
4	119-7359-01	1	Bracket-Cross	24	119-6654	1	Cable-Throttle
5	3231-2	3	Screw-CARR	25	119-6655	1	Control-Choke, Push/Pull
6	104-8301	4	Nut-Flange, NI	26	3229-1	4	Screw-CARR
8	119-1887	1	RH Motion Lever ASM	27	3290-134	4	Screw
8:2	119-0222	1	Grip	28	3296-2	4	Nut-Lock, NI
9	114-0239	1	Screw-HSH	29	119-7356-01	1	Bracket-Clamp, Cable
10	3296-47	1	Nut-Lock, NI	30	32144-70	3	Screw-HWHTF
11	114-0268	1	Cam-Lever	31	119-7357	2	Plate-Lever, Pump
12	3256-22	1	Washer-Flat	33	104-7201	8	Nut-HF
14	114-0249	1	Spring-Extension	34	3234-29	4	Screw-HHF
15	119-1854	1	Decal-Tracking, Hydro	35	104-8300	4	Nut-Flange, NI
16	119-7370	2	Clamp	36	4-2390	2	Washer-Flat
17	119-7366	2	Cable ASM	38	114-0433	1	Clip-Spring
17:2	119-7379	2	Rod-Ball Joint	39	321-5	4	Screw-HH
17:3	3220-1	3	Nut-Jam	41	114-0282	2	Screw-HH
18	110-5547	1	Control Lever ASM	42	3217-5	2	Nut-Hex
19	1-807533	2	Bolt-CARR	43	3274-94	1	Screw-HSBH

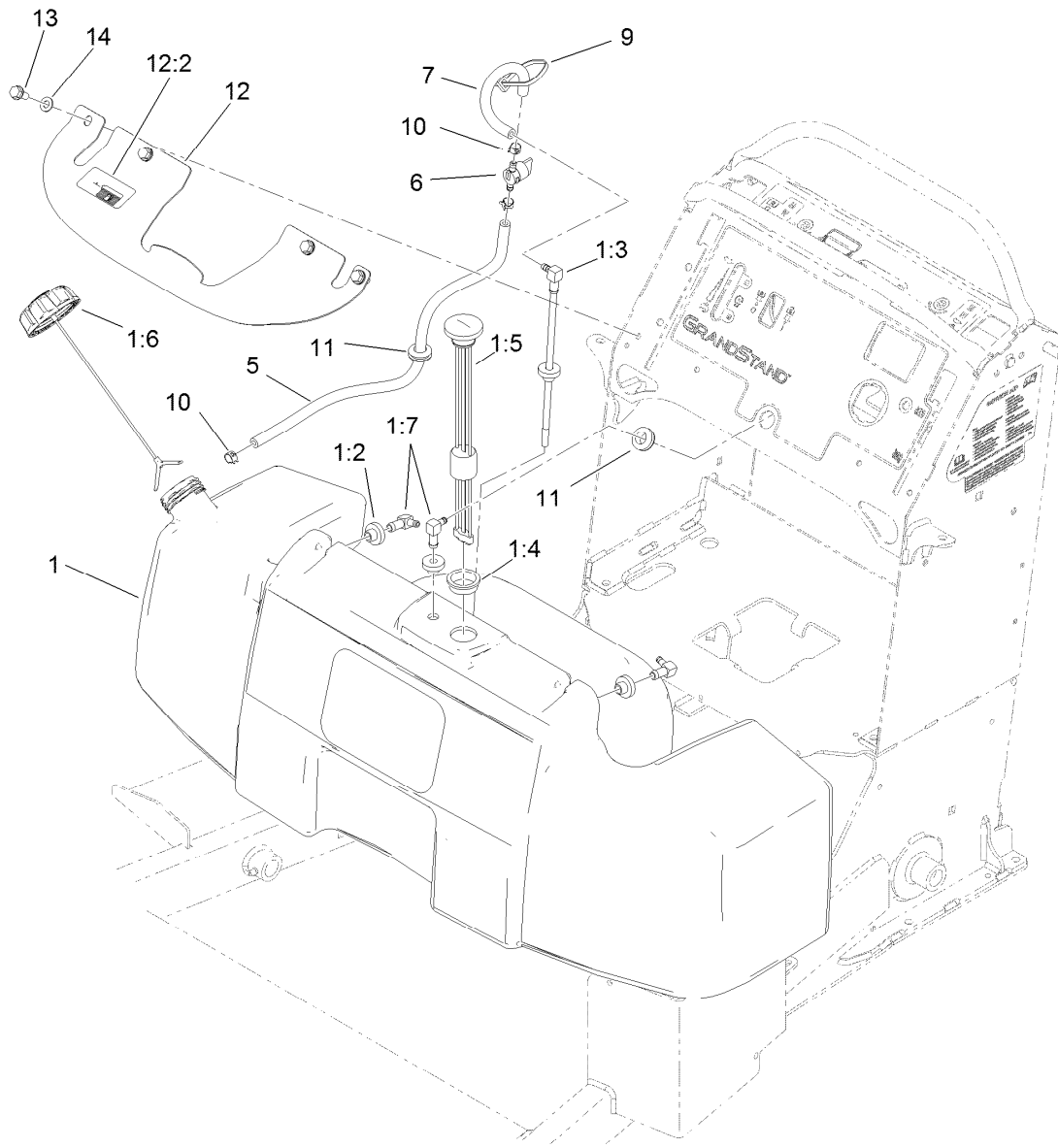


Engine Assembly

Ref.	Part Number	Qty.	Description	Ref.	Part Number	Qty.	Description
1		1	Engine-Kawasaki, Fs730V-Bs06 ●■	18	107-4136	1	Washer
2	116-2352	1	Muffler	19	1-603610	1	Washer-Spring
3	114-3550	4	Washer-Lock, Spring	20	3212-9	1	Screw-HH
4	114-3549	4	Nut	21	117-9708-01	1	Bracket-Stop, PTO
5	116-2353	1	Bracket-Muffler Mount, LH	22	32144-70	1	Screw-HWHTF
6	116-2354	1	Bracket-Muffler Mount, RH	23	109-3765	1	Bumper
7	104-7658	2	Spacer	24	103-1966	1	Adapter
8	3234-29	2	Screw-HHF	25	92-6877	1	Valve-Drain, Oil
9	32128-25	2	Nut-HF	31	98-5975	4	Washer-Belleville
13	33114-016	4	Screw-HH	32	323-7	4	Screw-HH
14	3253-4	4	Washer-Lock	33	3290-378	1	Cable Tie
15	112-7067	1	Pulley	34	1-653313	2	Gasket-Exhaust
16	608006	1	Key-Square	35	81-1690	1	Clamp-Cable
17	105-2635	1	Clutch / Brake ASM	99	103-1964	1	Hose-Drain, Oil

● Not serviced separately

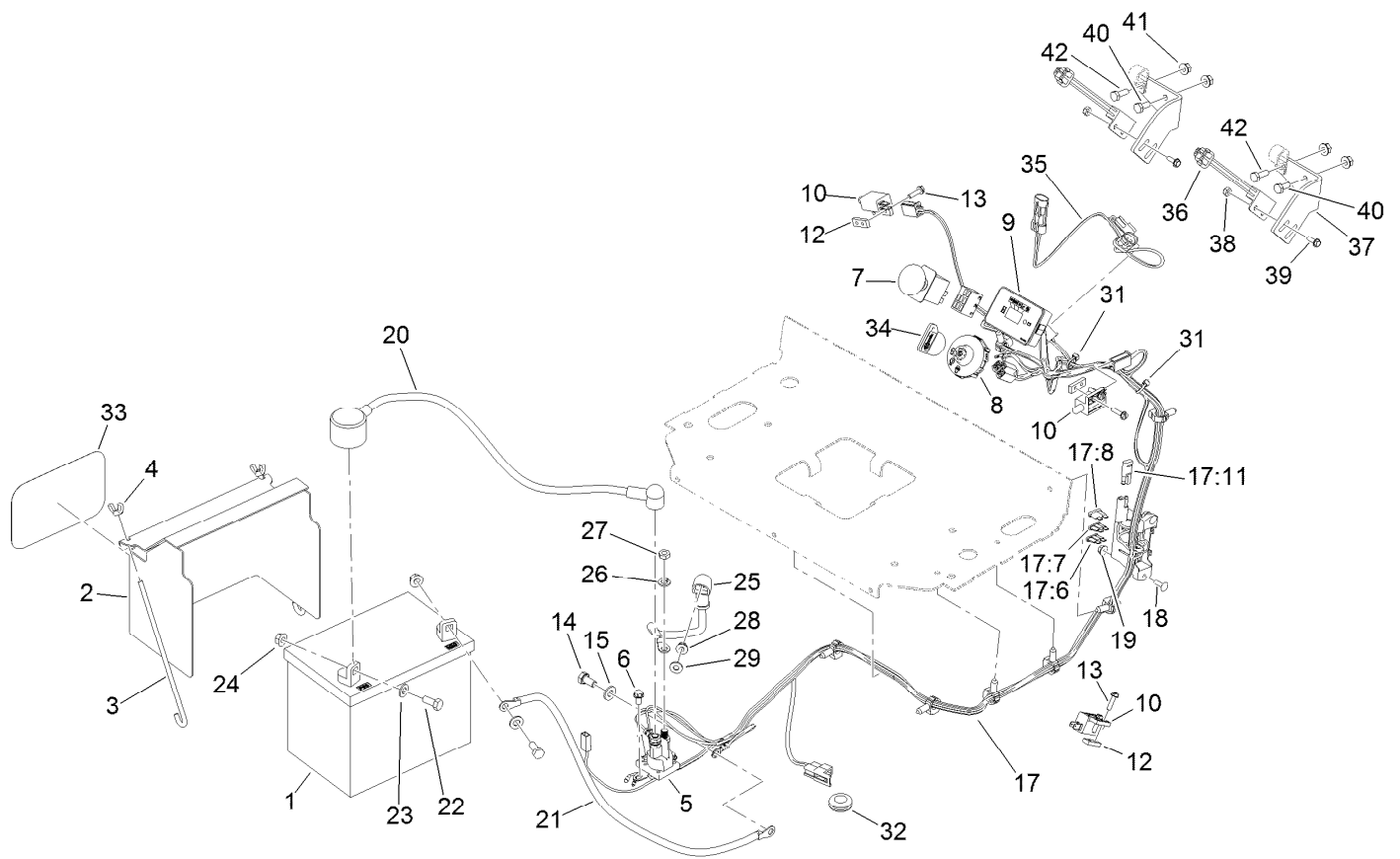
■ Obtain parts from www.kawpowerpc.com



Fuel Tank Assembly

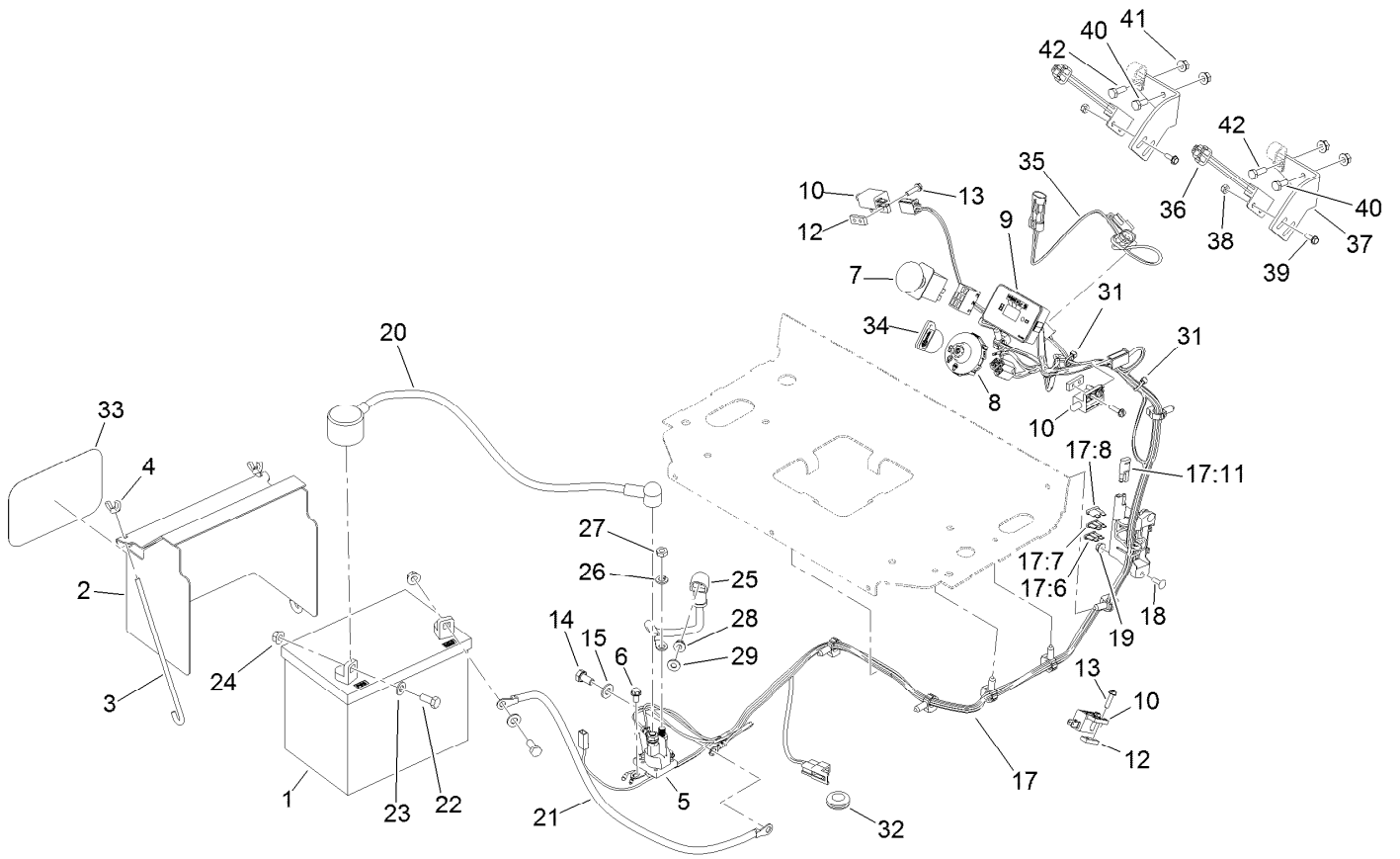
Ref.	Part Number	Qty.	Description
1	119-7346	1	Tank ASM
1:2	46-6560	4	Bushing
1:3	117-9655	1	Fitting-Fuel, Screen Tube
1:4	95-8972	1	Grommet
1:5	117-9719	1	Guage-Fuel
1:6	116-1704	1	Cap-Fuel, Ratcheting
1:7	1-643172	3	Elbow-90 DEG
5	110-5701	1	Hose-Fuel
6	1-603770	1	Valve-Fuel

Ref.	Part Number	Qty.	Description
7	109-0297	1	Hose-Fuel
9	3290-378	6	Cable Tie
10	2412-98	4	Clamp
11	112-7069	2	Grommet
12	119-8740	1	Bracket-Tank
12:2	116-3290	1	Decal-Fill, Fuel
13	32144-11	4	Screw-HWHTF
14	3256-70	4	Washer-Flat



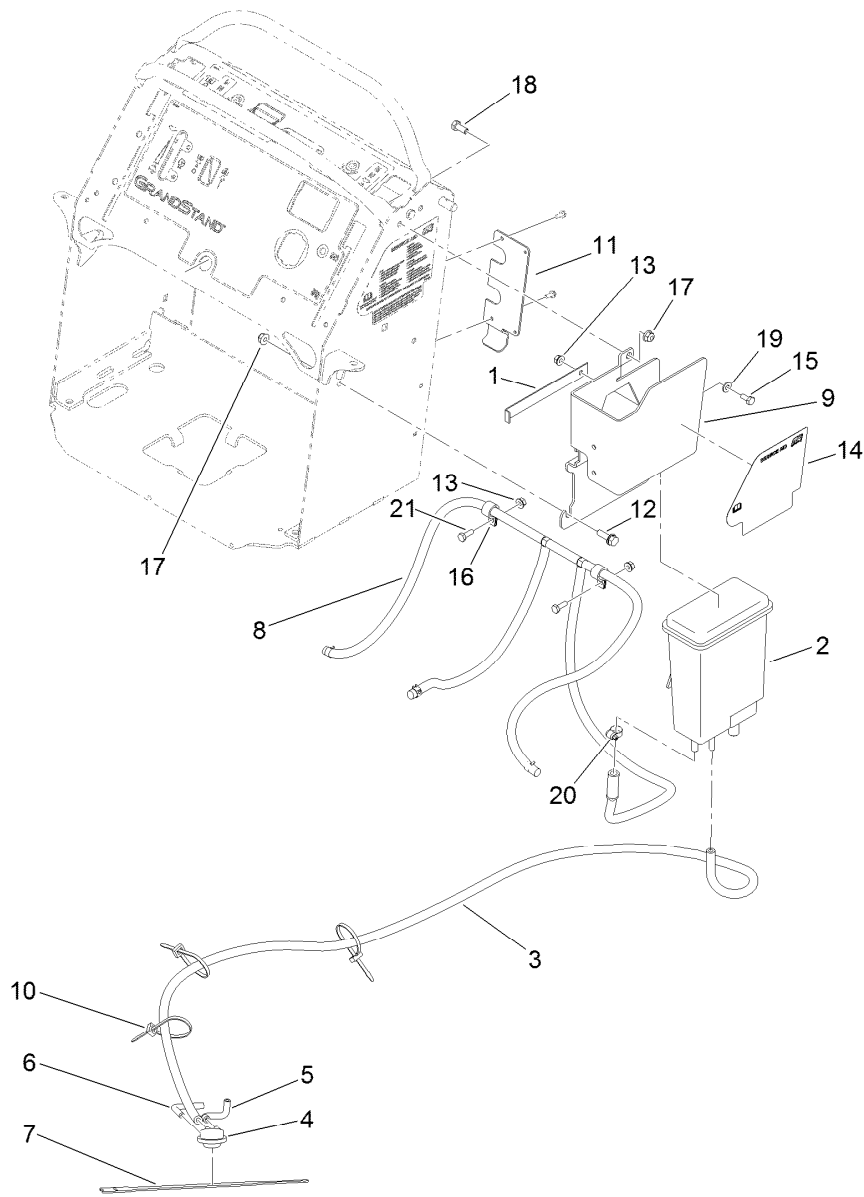
Electrical Assembly

Ref.	Part Number	Qty.	Description	Ref.	Part Number	Qty.	Description
1	104-2491	1	Battery	20	115-3864	1	Cable-Battery, Positive
2	117-0543-01	1	Cover-Battery	21	105-0836	1	Cable-Battery, Black
3	1-633651	2	Bolt-Holddown	22	322-3	2	Screw-HH
4	1-543792	2	Wingnut	23	3256-23	2	Washer-Flat
5	117-1197	1	Solenoid	24	109-5715	2	Nut-HHF, Smooth
6	32144-4	2	Screw-HWH	25	106-8268	1	Cable-Battery, Red
7	114-0279	1	Switch-PTO	26	3253-4	2	Washer-Lock
8	117-2222	1	Switch-Ignition	27	3220-2	2	Nut-Jam
9	115-4180	1	Module-Meter, Hour	28	32128-33	1	Nut-HF
10	1-513152	2	Switch-Closed, Normally	29	3256-22	1	Washer-Flat
12	1-633181	2	Plate-Tapped	31	1-303287	2	Tie-Cable
13	32105-13	4	Screw-HWH	32	112-7069	1	Grommet
14	33114-016	1	Screw-HH	33	68-3640	1	Decal
15	33094-00	1	Washer-Plain	34	63-8360	1	Key-Ignition
17	116-2662	1	Harness-Wiring	35	119-8729	1	Harness-Wire, Neutral
17:6	109103	1	Fuse-Blade, 30 Amp				Switch
17:7	109102	1	Fuse-Blade, 25 Amp	36	105-0023	2	Switch-Proximity
17:8	218-578	1	Fuse-Blade, 10 Amp	37	119-8503-01	2	Bracket-Mount, Switch
17:11	116-0053	1	Cap-Plug	38	3296-2	4	Nut-Lock, NI
18	1-807533	2	Bolt-CARR	39	32105-23	4	Screw
19	3290-148	2	Nut-HF	40	321-3	2	Screw-HH



Electrical Assembly (continued)

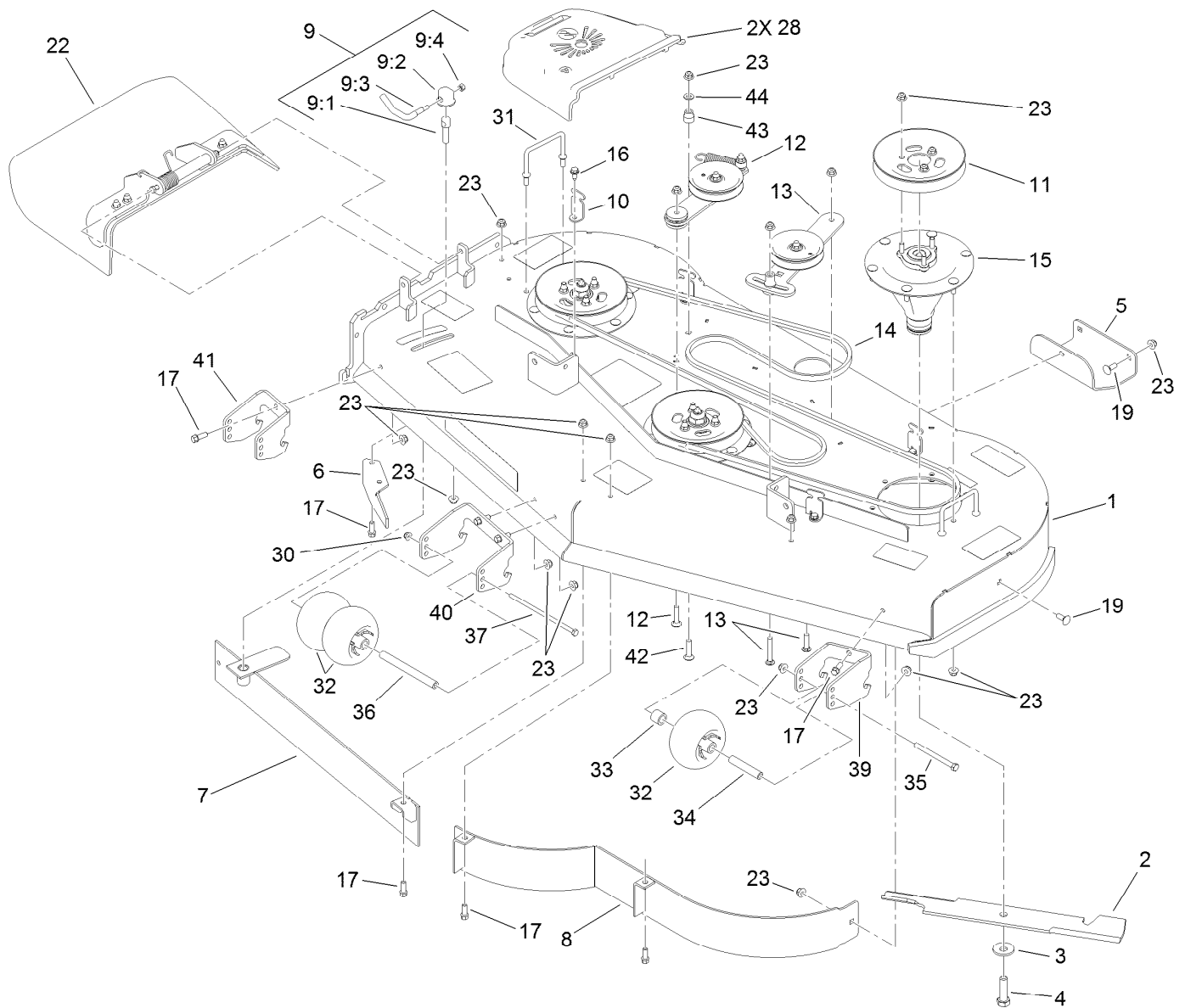
<i>Ref.</i>	<i>Part Number</i>	<i>Qty.</i>	<i>Description</i>
41	32128-32	4	Nut-HHF
42	321-4	2	Screw-HH



Carbon Canister Assembly

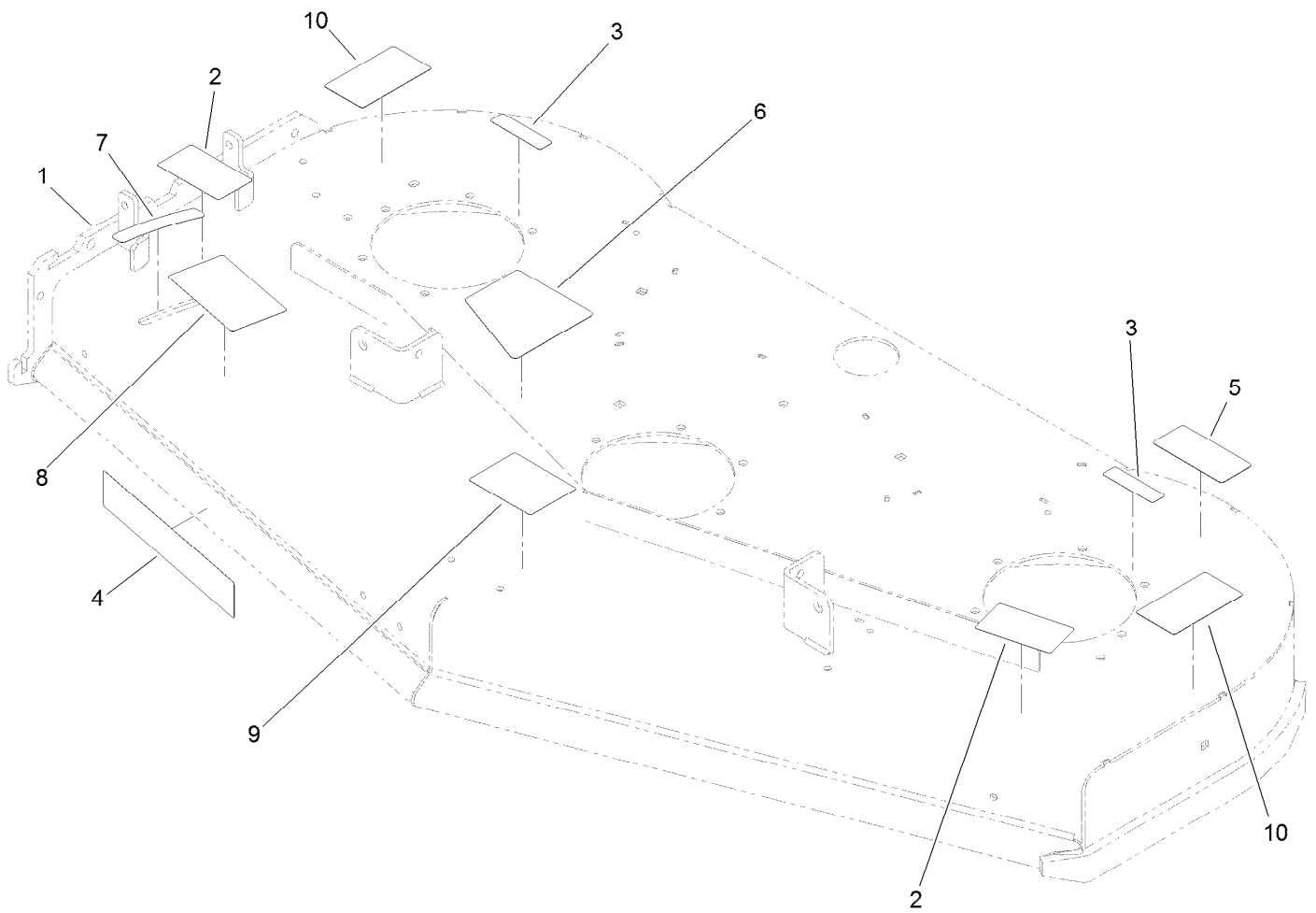
Ref.	Part Number	Qty.	Description
1	120-8307-01	1	Plate-Loc
2	117-9795	1	Canister-Carbon, 1200Cc
3	120-6493	1	Hose-Fuel
4	116-2232	1	Valve-Control, Vacuum
5	119-8502	1	Hose-Vent, Formed
6	119-8501	1	Hose-Vent, Formed
7	116-2469	1	Strap-Velcro, Cable Tie
8	120-8303	1	Vent Hose ASM
9	119-7385-01	1	Plate- Adapter
10	3290-378	3	Cable Tie
11	119-7394-01	1	Plate- Manual Tube

Ref.	Part Number	Qty.	Description
12	3234-29	2	Screw-HHF
13	32128-32	3	Nut-HHF
14	117-0485	1	Decal-Aid, Service
15	321-3	1	Screw-HH
16	2412-87	2	Clamp-Cable
17	104-8300	3	Nut-Flange, NI
18	322-3	1	Screw-HH
19	3256-22	1	Washer-Flat
20	2412-108	1	Clamp-Worm
21	321-4	2	Screw-HH



Deck Assembly

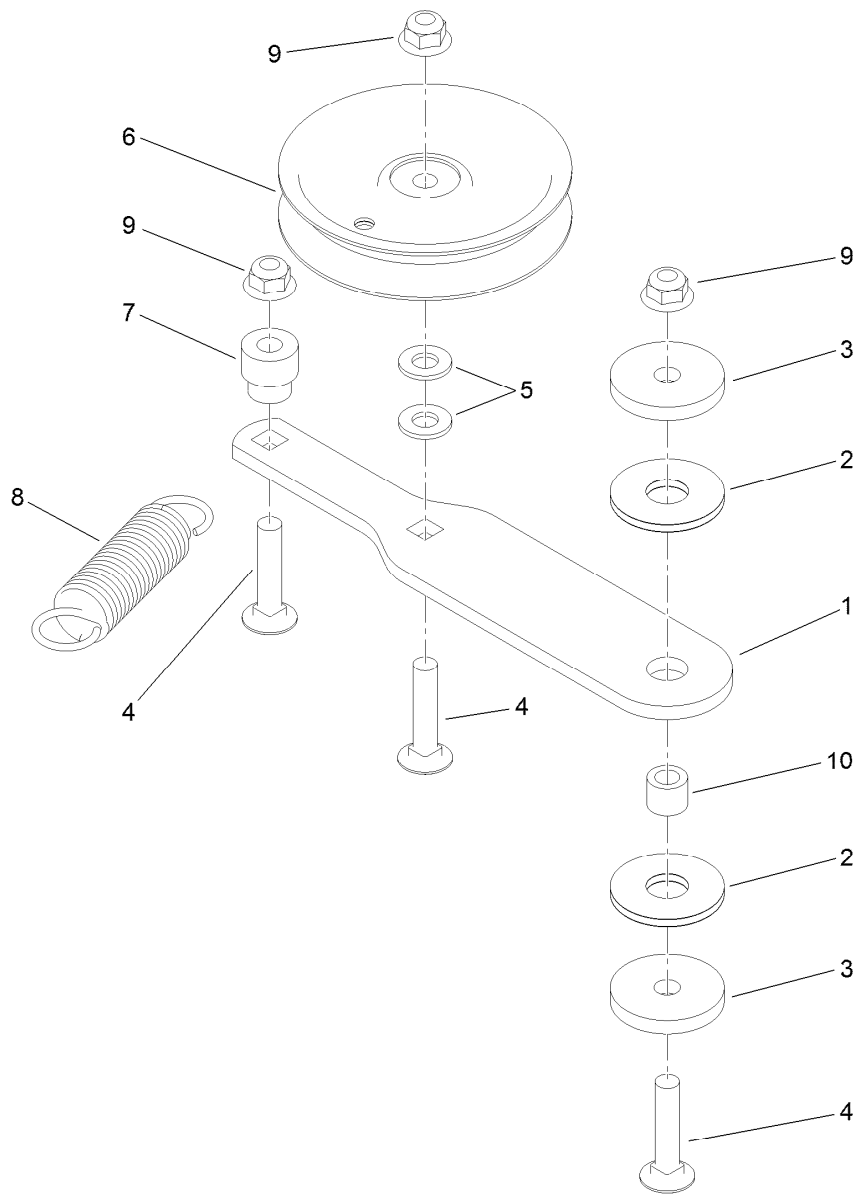
Ref.	Part Number	Qty.	Description	Ref.	Part Number	Qty.	Description
1	120-6414	1	Deck ASM	17	92-1624	9	Screw-HWH
2	105-7718-03	3	Blade-Hi Flow	19	3231-2	4	Screw-CARR
3	103-0865	3	Washer-Blade Bolt, Heavy	22	114-1910	1	Deflector ASM
4	51-4060	3	Screw-Blade	23	104-8301	47	Nut-Flange, NI
5	114-1908-01	1	Skid	28	120-6423	2	Cover-Belt
6	106-3216-01	1	Baffle-Discharge	30	104-8300	1	Nut-Flange, NI
7	117-9604-01	1	Baffle ASM	31	109-6982	2	Wireform-Cover
8	117-9701-01	1	Baffle ASM	32	1-603299	4	Roller-Scalp, Anti
9	107-1664	1	Lever ASM	33	98-7913	2	Tube-Spacer
9:1	106-3239	1	Screw-Lock	34	98-7912	2	Tube-Spanner
9:2	107-1644	1	Cap-Lock	35	323-23	2	Screw-HH
9:3	106-3241	1	Lever-Lock	36	98-5967	1	Spacer-Wheel
9:4	3296-29	1	Nut-Lock, NI	37	322-50	1	Screw-HH
10	117-5758-03	4	Bracket-Cover	39	114-5204-01	1	Bracket-Wheel, LH
11	120-6434	3	Pulley	40	114-5208-01	1	Bracket-Wheel, Center
12	120-6410	1	Idler Arm ASM	41	114-5213-01	1	Bracket-Wheel, RH
13	117-9791	1	Idler Adjust ASM	42	3231-5	1	Screw-CARR
14	117-9607	1	Belt-V	43	1-603496	1	Bushing-Idler
15	119-8560	3	Spindle ASM	44	3256-24	1	Washer-Flat
16	32144-70	4	Screw-HWHTF				



Deck Decal Assembly No. 120-6414

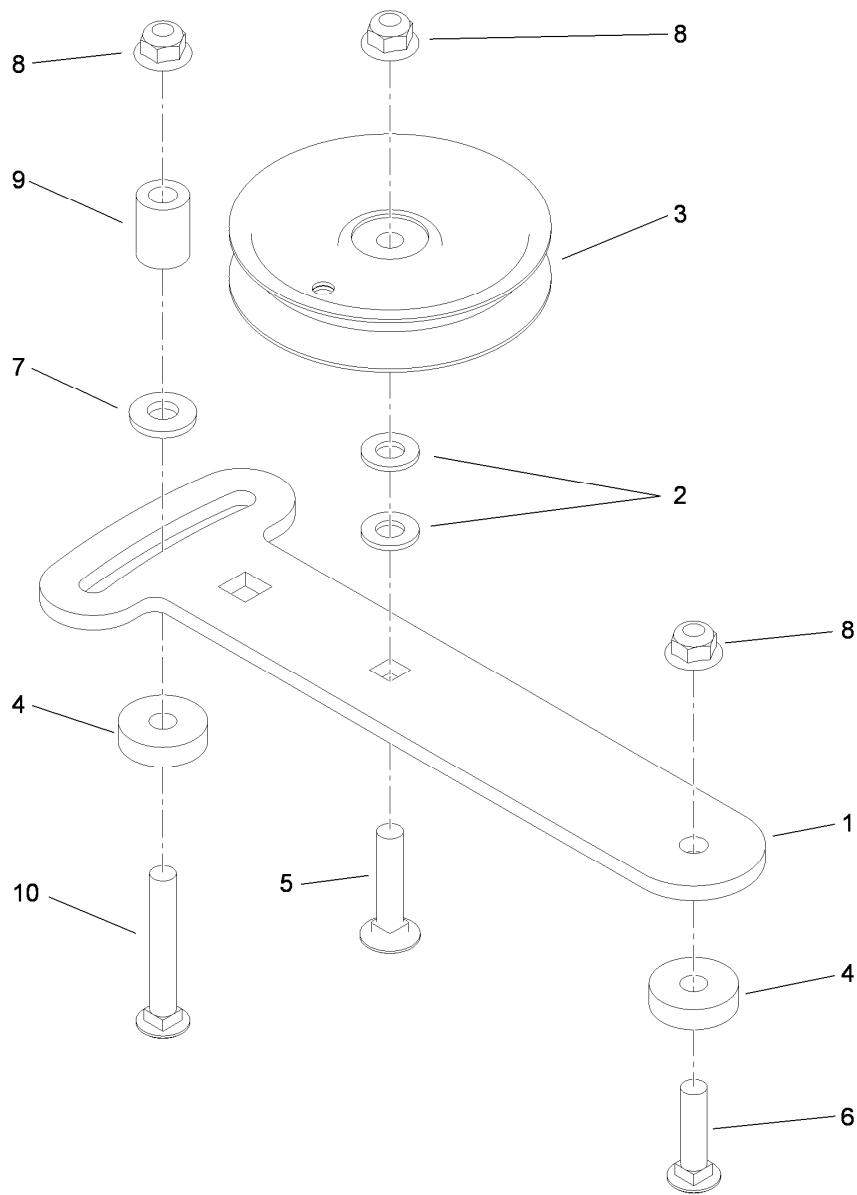
<i>Ref.</i>	<i>Part Number</i>	<i>Qty.</i>	<i>Description</i>
1		1	Deck ASM ●
2	93-7010	2	Decal-Danger
3	119-0217	2	Decal-Danger
4	107-1619	1	Decal
5	93-7818	1	Decal-Torque, Blade Bolt
6	120-6412	1	Decal-Belt Tension, Ce
7	110-2067	1	Decal-Setting, Baffle
8	110-2068	1	Decal-Adjustment, Baffle
9	112-3858	1	Decal-Anti Scalp
10	120-6424	2	Decal-Danger, Rotating Parts

● Not serviced separately



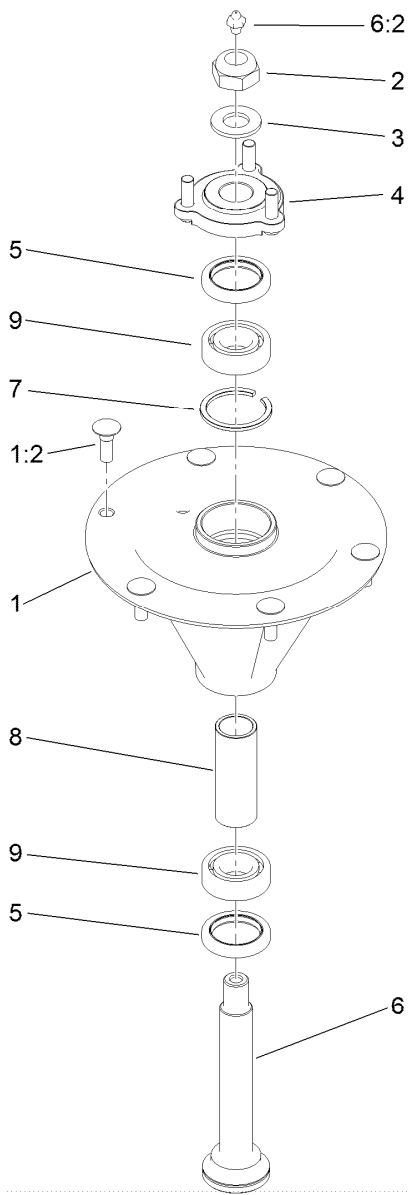
Idler Arm Assembly No. 120-6410

Ref.	Part Number	Qty.	Description
1	120-6409	1	Arm-Idler
2	114-0463	2	Washer-Friction, Composite
3	110-9981	2	Washer-Plain
4	3231-5	3	Screw-CARR
5	3256-24	2	Washer-Flat
6	93-1622	1	Pulley-Idler
7	1-603496	1	Bushing-Idler
8	1-603402	1	Spring-Extension
9	104-8301	3	Nut-Flange, NI
10	1-413088	1	Bushing-Lever, Lift



Idler Adjust Assembly No. 117-9791

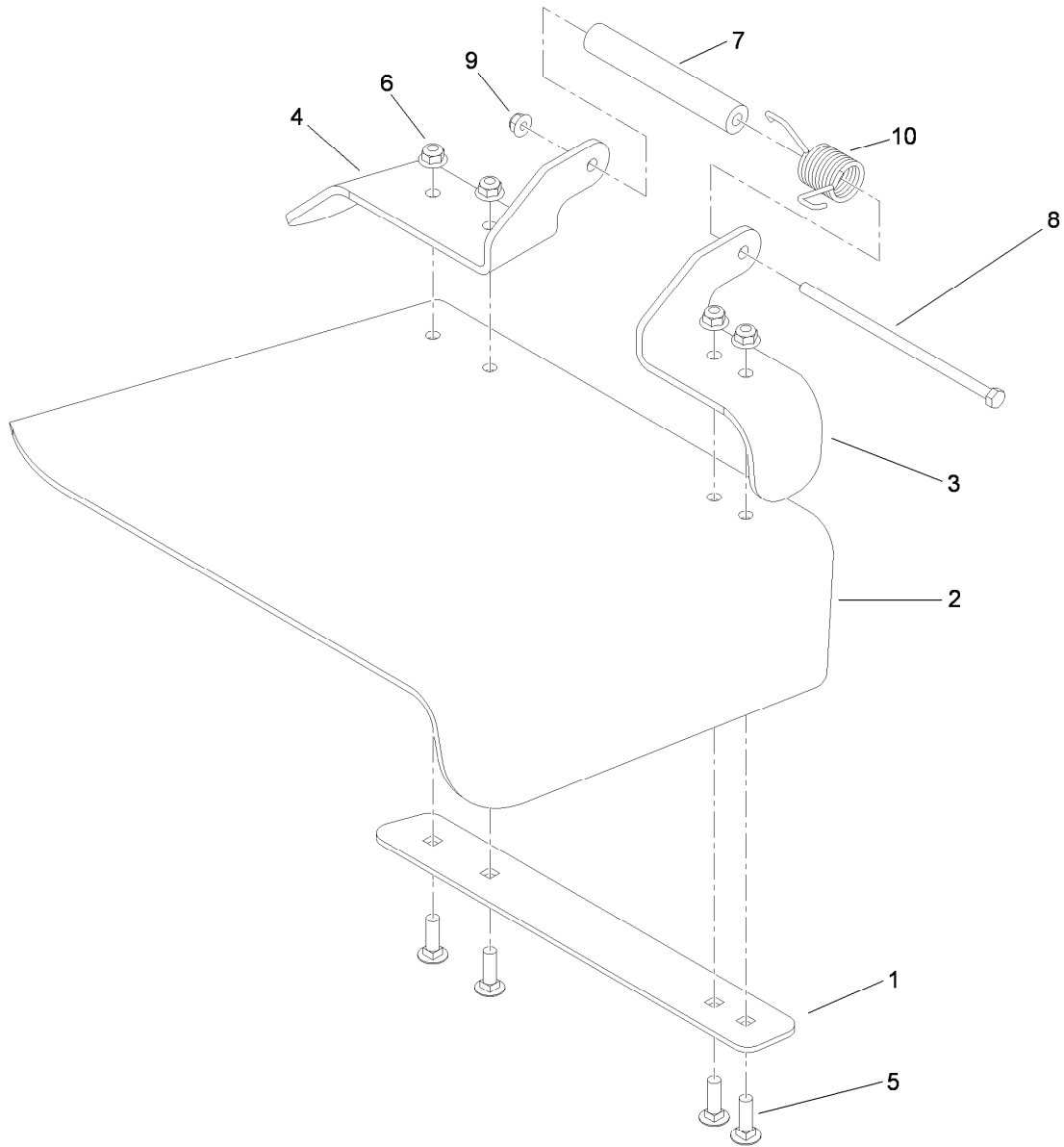
<i>Ref.</i>	<i>Part Number</i>	<i>Qty.</i>	<i>Description</i>
1	114-1991	1	Plate-Idler
2	3256-24	2	Washer-Flat
3	93-1622	1	Pulley-Idler
4	105-7788	2	Spacer
5	3231-5	1	Screw-CARR
6	3231-4	1	Screw-CARR
7	98-5975	1	Washer-Belleville
8	104-8301	3	Nut-Flange, NI
9	106-5620	1	Tube-Interlock
10	3231-31	1	Screw-CARR



Spindle Assembly No. 119-8560

<i>Ref.</i>	<i>Part Number</i>	<i>Qty.</i>	<i>Description</i>
1		1	Spindle Housing And Studs ASM ●
1:2	114-8195	6	Bolt-Ribbed Neck
2	3296-67	1	Nut-Lock, NI
3	92-5836	1	Washer
4	117-6172	1	Spindle Hub ASM
5	253-133	2	Seal-Oil
6	119-8527	1	Spindle Shaft And Zerk ASM
6:2	302-2	1	Fitting-Grease
7	119-8532	1	Snap Ring
8	117-6184	1	Spacer
9	119-8558	2	Bearing-Noseal

● Not serviced separately



Deflector Assembly No. 114-1910

Ref.	Part Number	Qty.	Description
1	106-3248-03	1	Strap-Discharge
2	110-0759	1	Deflector-Rubber
3	108-7766-03	1	Bracket-Hinge, Front
4	108-7767-03	1	Bracket-Hinge, Rear
5	3231-25	4	Screw-CARR
6	104-8301	4	Nut-Flange, NI
7	105-4622	1	Spacer
8	322-50	1	Screw-HH
9	104-8300	1	Nut-Flange, NI
10	108-4052	1	Spring-Torsion

Attachments and Accessories

For 79553 GrandStand Mower With 60in TURBO FORCE Cutting Unit

Product Name	Model/Part
Blade-Mid Flow, 20.5 inch.....	105-7715-03
Blade-Lo Flow, 20.5 inch.....	105-7716-03
Blade-Hi Flow, 20.5 inch.....	105-7718-03
Blade-Recycler, 20.5 inch.....	105-7777-03
Blade-Atomic, 20.5 inch.....	105-8777-03
Turbo Baffle Kit.....	107-1634
6 Pack Blade, 20.5 inch Hi-Flow.....	108-1114
6 Pack-Blade, 20.5 inch Atomic.....	108-1115
6 Pack Blade, 20.5 inch Mid-Flow.....	108-1123
6 Pack-Blade, 20.5 inch Lo Flow.....	108-1128
6 Pack-Blade, 20.5 inch Recycler.....	110-0405
Weight-Cast.....	112-7059-01
Light Kit.....	114-3505
Striping Kit.....	114-3521
Hypr-Oil 500 (quart).....	114-4713
Hypr-Oil 500 (gallon).....	114-4714
Hypr-Oil 500-5 (5 gallon).....	114-4715
Recycler Kit.....	115-7468
Weight Kit.....	117-3620
Chute Gate Kit With Bag.....	119-7292
Trash Bag ASM.....	119-7293
Speed Control Kit.....	119-7390
Soft Bag (3 Bushel).....	30104
Spark Arrestor.....	98-9099

Notes:



Count on it.