



STANDON

**For Serial Nos.
850,000 & Higher**
Part No. 4500-621 Rev. A

Parts Manual

EXMARK PARTS PLUS

PARTS

OVERNIGHT
OR *FREE**

If your Exmark dealer does not have the Exmark part in stock, Exmark will get the parts to the dealer the next business day or the part will be FREE Guaranteed!! (Some restrictions apply. See your participating Exmark Dealer for details.)

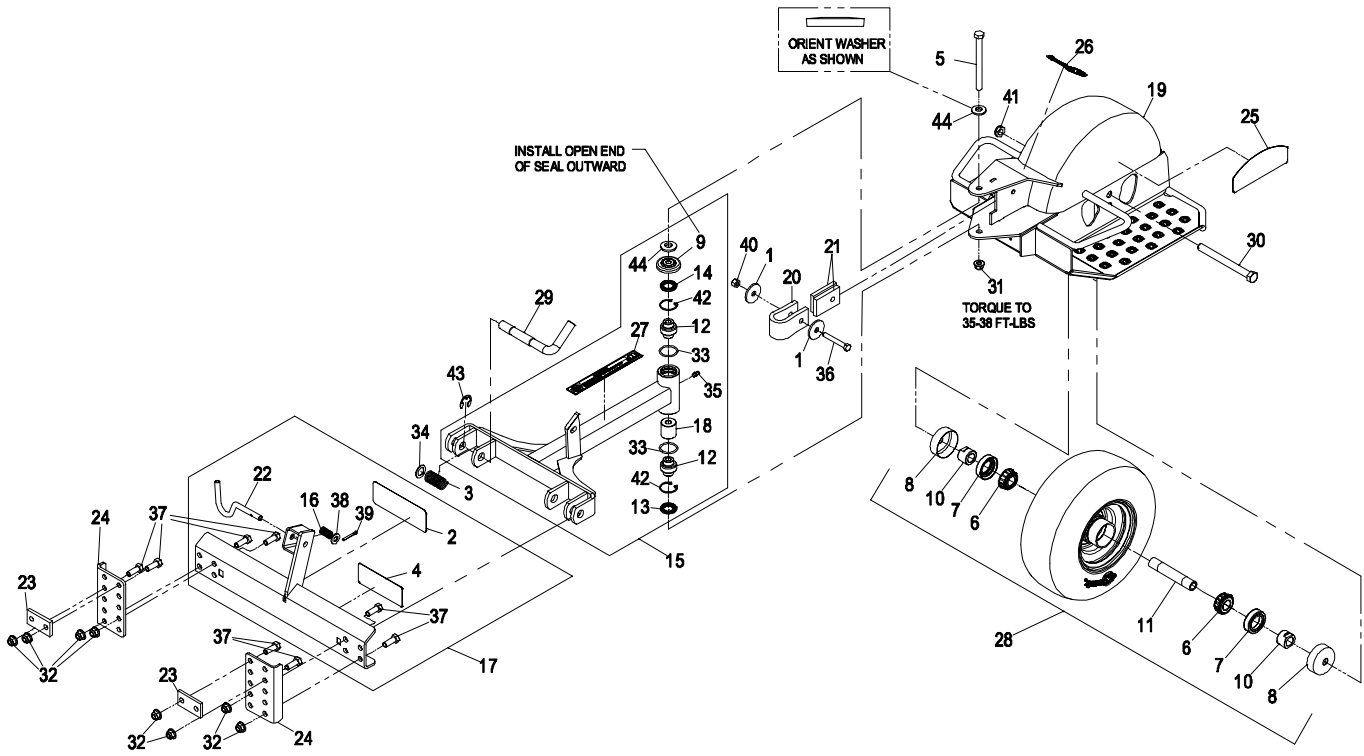
 **WARNING**

**READ OPERATOR'S MANUAL BEFORE
OPERATING OR SERVICING EXMARK EQUIPMENT**

TABLE OF CONTENTS

<u>Description</u>	<u>Page</u>
Decals.....	5
StandOn Assembly	4

DECALS



Item	Part No.	Description	Qty.
1	1-213069	Washer, Special	2
2▲	1-303517	Decal, Belt Drive.....	2
3	1-373054	Spring, Hitch Release.....	2
4▲	1-403143	Decal, Sulky Warning	2
5	323-38	Screw, HH 3/8-16 x 4 3/4.....	1
6	1-633585	Bearing, Cone Tapered	2
7	103-0063	Seal, Double Lip	2
8	103-2768	Guard, Seal	2
9	103-2916	Guard, Top	1
10	103-3051	Spacer, Nut	2
11	103-3157	Axle, Caster.....	1
12	103-3504	Bearing, Spherical	2
13	103-3505	Seal, Double Lip	1
14	103-3506	Seal, Single Lip.....	1
15◇	103-9589	Kit, Pull Arm W/Brgs & Decal.....	1
16	103-6643	Spring, Lock Pin	1
17■	103-6646	Asm, Frame Pull W/Decals	1
18	103-1361	Spacer, Hydro Control LH.....	1
19	103-9590	Asm, Sulky Frame W/Decals	1
20	103-6652	Stop, Rotation.....	1
21	103-6654	Pad, Stop	2
22	103-6656	Pin, Latch	1

Item	Part No.	Description	Qty.
23	103-6663	Plate, Back-Up	2
24	103-6675-01	Plate, Adapter	2
25	109-1117	Decal.....	2
26	103-8845	Decal, Exmark.....	1
27	103-9141	Decal, Sulky	1
28●+	103-9591	Asm, Caster Wheel	1
29	103-9169	Pin, Lift Arm	2
30	103-9508	Screw, HH 1/2-13 X 5 1/4.....	1
31	32128-21	Nut, Hex Flg-Side Lock 3/8-16	1
32	104-8301	Nut, Nyloc 3/8-16 Flg.....	8
33	106-7159	O-Ring	2
34	107-3041	Washer	2
35	302-19	Zerk, 1/4-28 Str.....	1
36	322-11	Screw, HH 5/16-18 X 2 1/4.....	1
37	323-7	Screw, HH 3/8-16 X 1 1/4.....	8
38	3256-24	Washer, 3/8 SAE.....	1
39	3272-11	Pin, Cotter 1/8 X 1.....	1
40	3296-29	Nut, Nyloc 5/16-18	1
41	3296-45	Nut, Nyloc 1/2-13	1
42	32120-10	Ring, Retaining	2
43	32120-19	E-Ring.....	2
44	98-5975	Washer, Spring Disc 3/8.....	1

- Does not include screw item # 37.
- Includes screw item #30 and nut item #41.
- ▲ One of each decal is shipped loose to be placed on Turf Tracer and Viking Hydro mowers only.
- ◇ Includes items 5, 31, & 44.
- + For Operator's over 250 lbs, it is recommended to use pneumatic tire assembly, P/N 103-3798

DECALS



Item	Part No.	Description	Qty.
1	1-303517	Decal, Belt Drive	2
2	1-403143	Decal, Sulky Warning.....	2
3	103-9141	Decal, Sulky	1

Item	Part No.	Description	Qty.
4	109-1117	Decal, StandOn	2
5	103-8845	Decal, Exmark	1

NOTES

SEE EXMARK'S COMPLETE LINE OF ACCESSORIES AND OPTIONS

MID-MOUNT RIDING ACCESSORIES AND OPTIONS

CUSTOM RIDE SEAT SUSPENSION SYSTEM	OPERATOR CONTROLLED DISCHARGE
FULL SUSPENSION SEAT	ROLL OVER PROTECTION SYSTEM (ROPS)
DECK LIFT ASSIST KIT	SUN SHADE
HITCH KIT	TRASH CONTAINER
LIGHT KIT	TURF STRIPER
12V POWER PORT	ULTRA VAC COLLECTION SYSTEM
MICRO-MULCH SYSTEM	ULTRA VAC QUICK DISPOSAL SYSTEM

OUT-FRONT RIDING ACCESSORIES AND OPTIONS

CUSTOM RIDE SEAT SUSPENSION SYSTEM	SNOW BLADE
DUAL-TAIL WHEEL	SNOWBLOWER
FLOOR PAN EXTENDER	SUN SHADE
HITCH KIT	TRASH CONTAINER
LIGHT KIT	ULTRA VAC COLLECTION SYSTEM
MICRO-MULCH SYSTEM	ULTRA VAC QUICK DISPOSAL SYSTEM
ROLL OVER PROTECTION SYSTEM (ROPS)	WEATHER CAB

WALK-BEHIND ACCESSORIES AND OPTIONS

GRASS CATCHER	TURF STRIPER
MICRO-MULCH SYSTEM	STANDON

Place Model No. and Serial No.
Label Here (Included in the Literature
Pack or Fill in Below)

Model No. _____

Serial No. _____

Date Purchased _____

© 2009 Exmark Mfg. Co., Inc.
Industrial Park Box 808
Beatrice, NE 68310
All Rights Reserved

Part No. 4500-621 Rev. A
(402) 223-6300
Fax (402) 223-5489
Printed In USA



www.exmark.com