



Count on it.

Parts Catalog

Z500 Z Master®

With 60in 7-Gauge Side Discharge Mower

Model No. 74292—Serial No. 290000001 and Up

Ordering Replacement Parts

To order replacement parts, please supply the part number, the quantity, and the description of each part desired.

Understanding Reference Numbers

Each identified part in an illustration has a reference number. The reference number for a part also appears in the parts list, along with other information about the part.

This catalog uses two special reference number formats, one to indicate parts in a service assembly and another to indicate the quantity of a given part in an illustration.

Service Assembly Reference Numbers

Parts in service assemblies have reference numbers in the form a:b. The a represents the reference number of the entire service assembly and the b represents a sequential number unique to each part within the service assembly.

For example, a wheel assembly might be identified by reference number 6, the tire by 6:1, the valve by 6:2, and the wheel by 6:3. When you order the assembly identified by reference number 6, you receive all parts identified by reference numbers 6:1, 6:2, and 6:3. However, you may also order any part individually. Reference numbers of this type appear in illustration and in parts lists.

Reference Numbers Indicating Quantity

In an illustration, if a reference number indicates more than one part, the reference number has the form nX y. The n represents the quantity of the part, the X is the multiplication symbol, and the y represents the reference number.

For example, in an illustration, the reference number 2X 37 means that two of the parts identified by reference number 37 are indicated.

List of Abbreviations

AR: as required

ASM: assembly

BBC: blade brake control

BHTF: button head thread forming

CARR: carriage

CCW: counter clockwise

CW: clockwise

DEG: degrees

ECM: electronic control module

EXT: external

FH: flat head

GA: gauge

HD: heavy-duty

HF: hex flange

HH: hex head

HHF: hex head flange

HHFTF: hex head flange thread forming

HJ: hex jam

HLH: hex lag head

HOC: height-of-cut

HSBH: hex socket button head

HSFH: hex socket flat head

HSH: hex socket head

HWH: hex washer head

HWHTF: hex washer head thread forming

HYD: hydraulic

LH: left hand

LP: Liquid Propane

NI: nylon insert

NPTF: national pipe thread fine

PFH: phillips flat head

PPH: phillips pan head

PPHTF: phillips pan head thread forming

PRH: phillips round head

PTH: phillips truss head

PTO: power-take-off

RH: right hand

ROPS: roll-over protection system

RRB: rear roller brush

SFH: slotted fillister head

SHH: slotted hex head

SHWH: slotted hex washer head

SPH: slotted pan head

SQH: square head

SRH: slotted round head

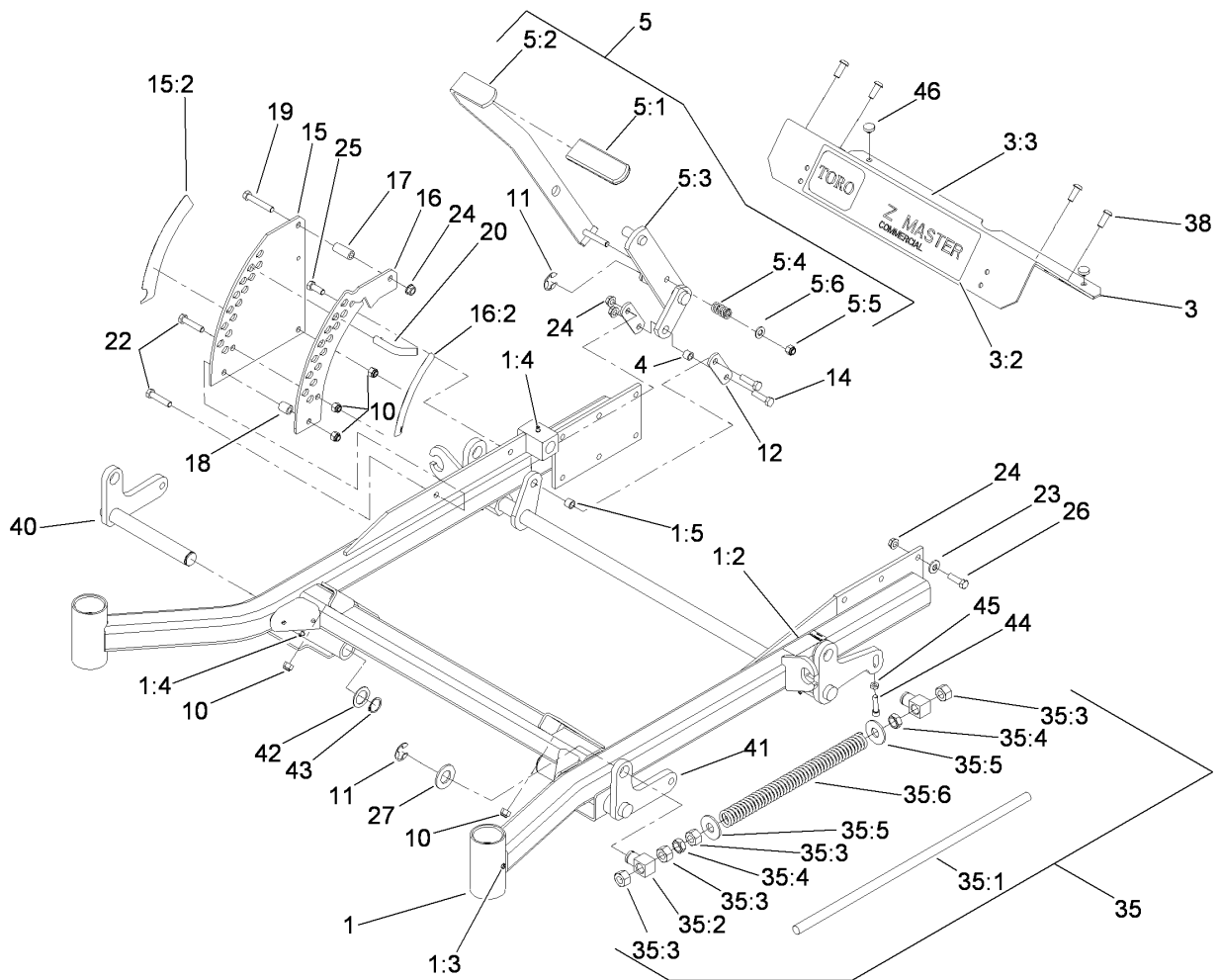
STD: standard

TAP: self tapping

TTH: torx truss head

Contents

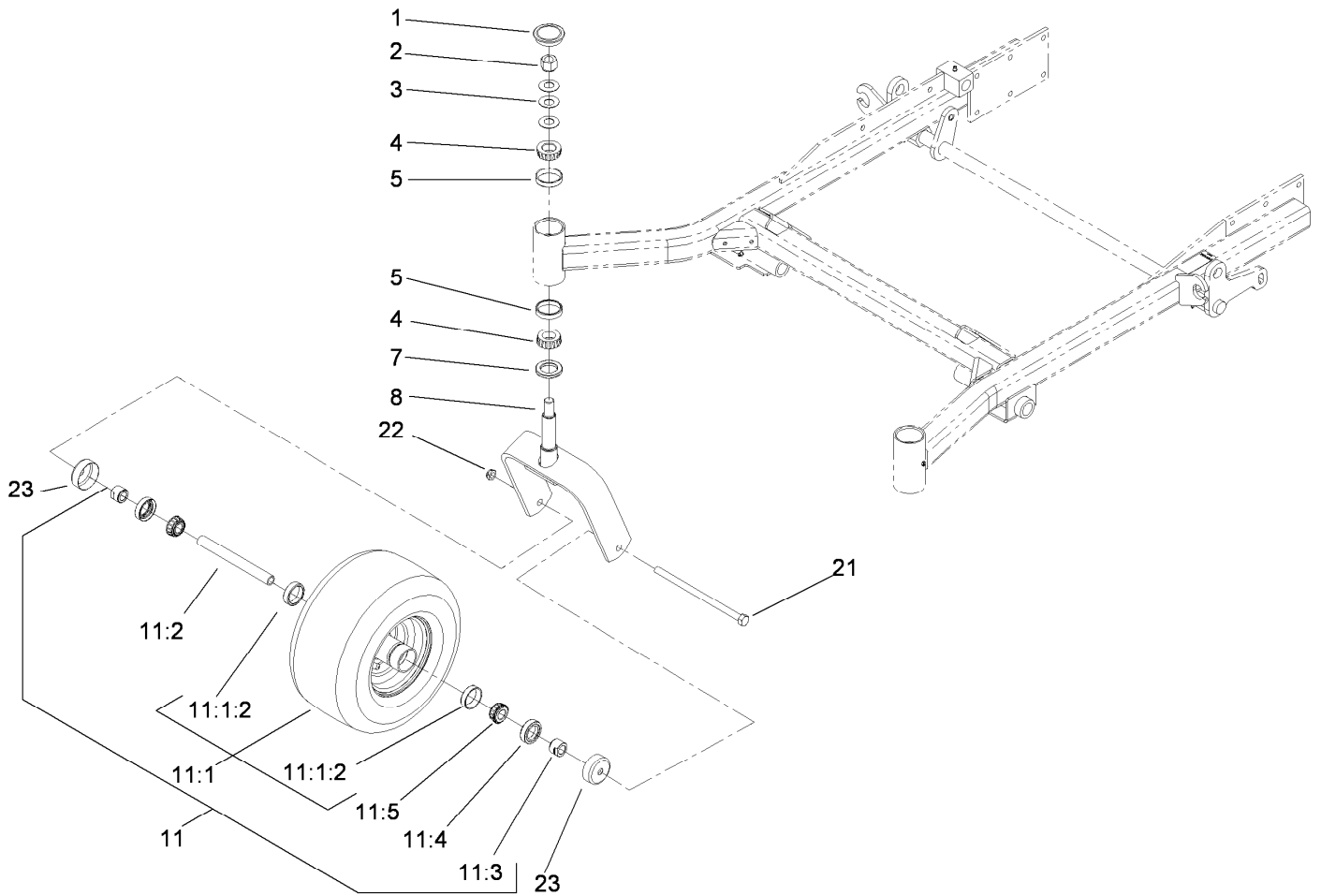
Front Frame Assembly	4
Caster and Wheel Assembly	5
Main Frame and Rear Wheel Assembly	6
Brake and Wheel Hub Assembly	7
Steering Control Assembly	8
LH Motion Control Assembly No. 109-3906	9
RH Motion Control Assembly No. 109-3707	10
Hydraulic Assembly	11
Hydraulic Wheel Motor No. 1-523328	13
Pump Idler Assembly No. 103-5679	14
Roll-Over Protection System Assembly	15
Seat and Bracket Assembly No. 110-0446	16
Roll-Over Protection System Assembly No. 108-1097	17
Deck Connection Assembly	18
Deck Assembly	19
Spindle Assembly No. 107-8504	20
Deck Decal Assembly	21
Rubber Deflector Assembly No. 108-7770	22
Drive Idler Assembly	23
Engine and Clutch Assembly	24
Muffler and Guard Assembly	25
Fuel System Assembly	26
Electrical Assembly	27
Crankshaft Assembly Kohler CH740-3118	28
Crankcase Assembly Kohler CH740-3118	29
Oil Pan and Lubrication Assembly Kohler CH740-3118	30
Head, Valve and Breather Assembly Kohler CH740-3118	32
Ignition and Electrical Assembly Kohler CH740-3118	34
Blower Housing and Baffle Assembly Kohler CH740-3118	35
Starting System Assembly Kohler CH740-3118	36
Fuel System Assembly Kohler CH740-3118	37
Engine Control Assembly Kohler CH740-3118	38
Air Intake and Filtration Assembly Kohler CH740-3118	39
Exhaust Assembly Kohler CH740-3118	40
Decals Kohler CH740-3118	41
Attachments and Accessories	42



Front Frame Assembly

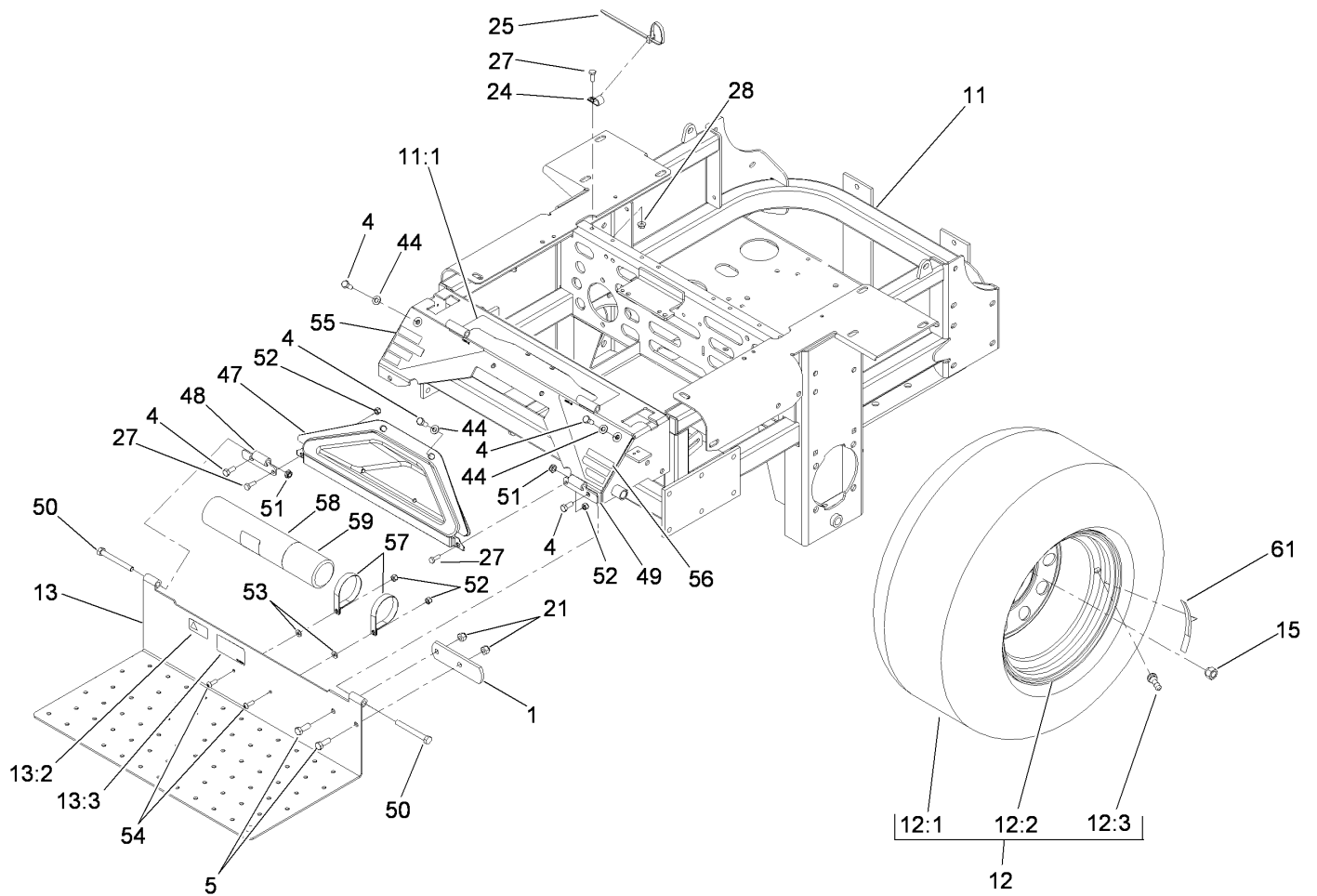
Ref.	Part Number	Qty.	Description	Ref.	Part Number	Qty.	Description
1	107-8085	1	Frame ASM	18	1-633080	1	Bushing-Lever, Lift
1:2	107-1857	1	Decal-Brake, Parking	19	323-11	1	Screw-HH
1:3	1-811010	2	Plug	20	109-8757	1	Pin-HOC
1:4	302-19	5	Fitting-Grease	22	323-9	2	Screw-HH
1:5	103-1918	1	Bushing	23	98-5975	12	Washer-Belleville
3	106-9981	1	Footrest	24	3290-357	15	Nut-HHF, Whiz
3:2	106-7451	1	Decal	25	323-6	1	Screw-HH
3:3	107-2112	1	Decal-Warning	26	323-7	12	Screw-HH
4	103-1918	1	Bushing	27	3256-29	4	Washer-Flat
5	110-5860	1	Deck Lift Handle ASM	35		2	Front Frame Spring ASM ●
5:1	1-633295	1	Grip-Lever, Lift	35:1	1-633096	1	Rod-Lift, Deck
5:2	103-2083	1	Lever-Lift	35:2	1-633441	2	Swivel-Deck Mount, Rear
5:3	103-2064	1	Arm-Lift, Deck	35:3	3217-11	4	Nut-Hex
5:4	1-633325	1	Spring-Compression	35:4	3218-6	2	Nut-Jam
5:5	3296-39	1	Nut-Lock, NI	35:5	3256-7	2	Washer-Flat
5:6	3256-24	1	Washer-Flat	35:6	1-633064	1	Spring-Support, Deck
10	3296-39	7	Nut-Lock, NI	38	3274-94	4	Screw-HSBH
11	32151-103	5	Ring-Retaining, EXT	40	110-4156-01	1	RH Deck Lift ASM
12	1-633068	2	Arm-Lift, Deck	41	106-8984-01	1	LH Deck Lift ASM
14	323-29	2	Screw-HH	42	1-523157	2	Washer-Spacer
15	117-0366	1	Plate-HOC, Outer	43	32151-29	2	Ring-Retaining
15:2	107-1860	1	Decal-Height, Deck	44	3274-18	2	Screw-HSH
16	117-0369	1	Plate-HOC, Inner	45	3218-2	2	Nut-Jam
16:2	107-1861	1	Decal-Height, Deck	46	1-513658	2	Bumper
17	1-633082	1	Bushing-Lever, Lift				

● Not serviced separately



Caster and Wheel Assembly

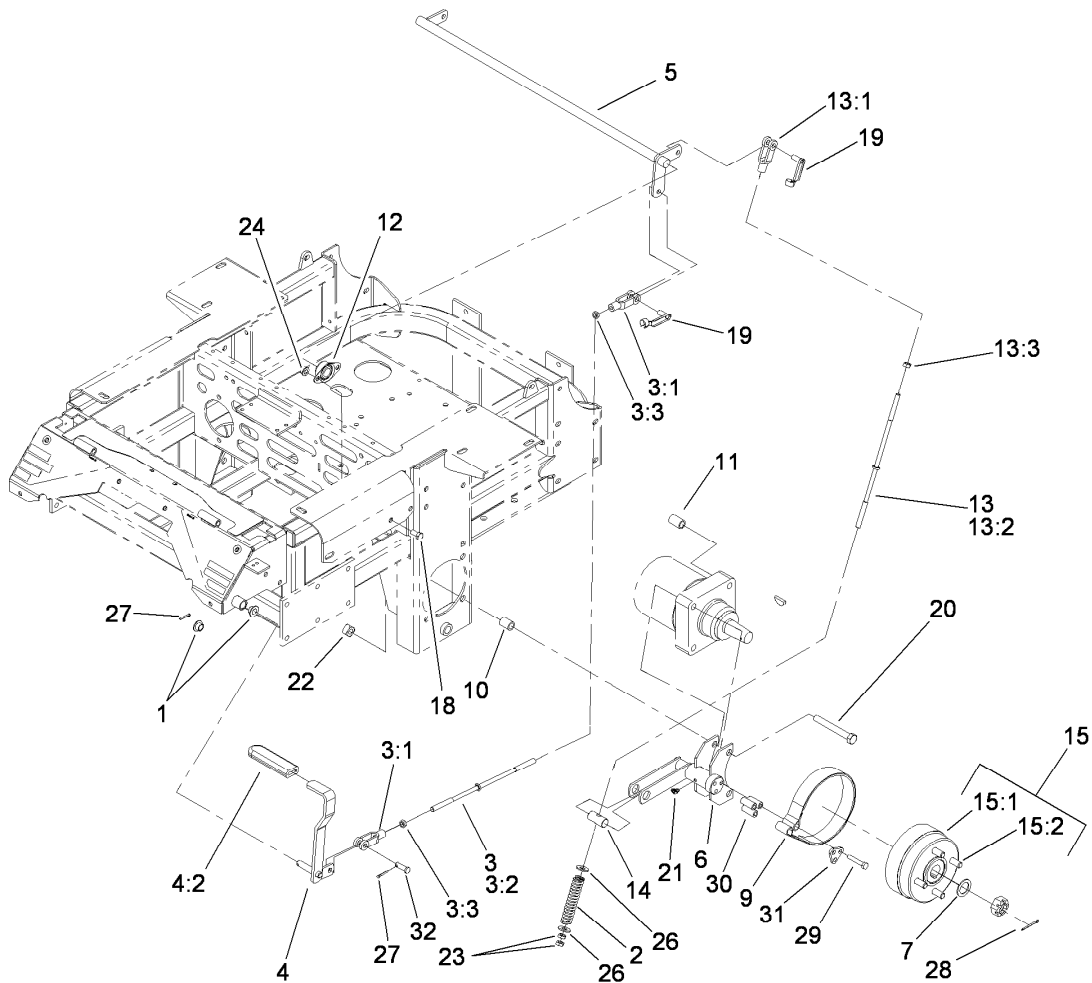
Ref.	Part Number	Qty.	Description
1	103-4882	2	Cap-Grease
2	3296-51	2	Nut-Lock, NI
3	1-633508	6	Washer-Bellville
4	254-94	4	Bearing-Cone, Tapered
5	254-72	4	Bearing-Cup, Tapered
7	1-543511	2	Seal-Grease
8	103-1474-01	2	Caster-Fork
11	103-5185	2	Wheel ASM
11:1	103-5179	1	Wheel And Tire ASM
11:1:2	1-633584	2	Bearing-Cup
11:2	103-5156	1	Axle-Caster
11:3	103-3051	2	Spacer-Nut
11:4	103-0063	2	Seal-Caster
11:5	1-633585	2	Bearing-Cone, Taper
21	325-39	2	Screw-HH
22	3296-23	2	Nut-Lock, NI
23	103-2768	4	Guard-Seal



Main Frame and Rear Wheel Assembly

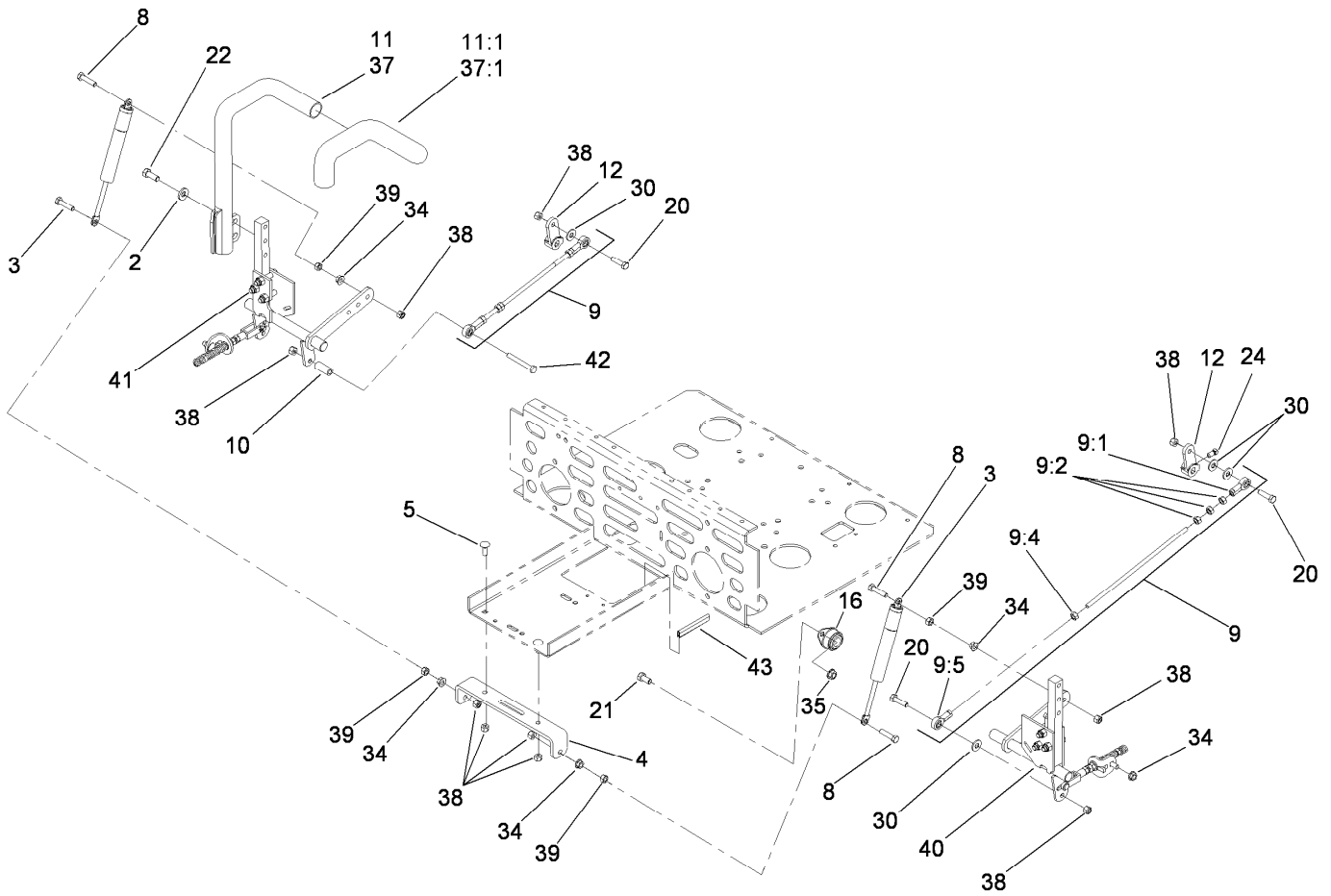
Ref.	Part Number	Qty.	Description
1	1-633964-03	1	Stop-Brake, Park
4	322-43	6	Screw-HH
5	323-6	2	Screw-HH
11	114-1509	1	Frame ASM
11:1	107-8076	1	Decal-Console, Top
12	109-8972	2	Wheel And Tire ASM
12:1	1-633993	1	Tire
12:2	109-3156	1	Rim ASM
12:3	232-27	1	Stem-Valve
13	107-1858	1	Floorpan
13:2	98-4387	1	Decal-Protection, Ear
13:3	107-1864	1	Decal-Location, Manual
15	242-50	8	Nut-Lug
21	3296-39	2	Nut-Lock, NI
24	1-513762	1	Clip-Loom
25	1-303335	2	Tie-Plastic
27	321-4	3	Screw-HH

Ref.	Part Number	Qty.	Description
28	32128-33	1	Nut-HF
44	3256-70	6	Washer-Flat
47	106-7498	1	Pocket
48	106-7488-03	1	Hinge-Floorpan, LH
49	106-7489-03	1	Hinge-Floorpan, RH
50	323-20	2	Screw-HH
51	3296-59	2	Nut-Lock, NI
52	3296-42	4	Nut-Lock, NI
53	3256-63	2	Washer-Flat
54	3258-166	2	Screw-PRH
55	106-9989	1	Decal-Warning
56	106-7492	1	Decal-Danger
57	107-1865	2	R-Clamp
58	104-7050	1	Tube-Manual
59	104-7048	1	Cap-Housing
61	109-7949	2	Decal



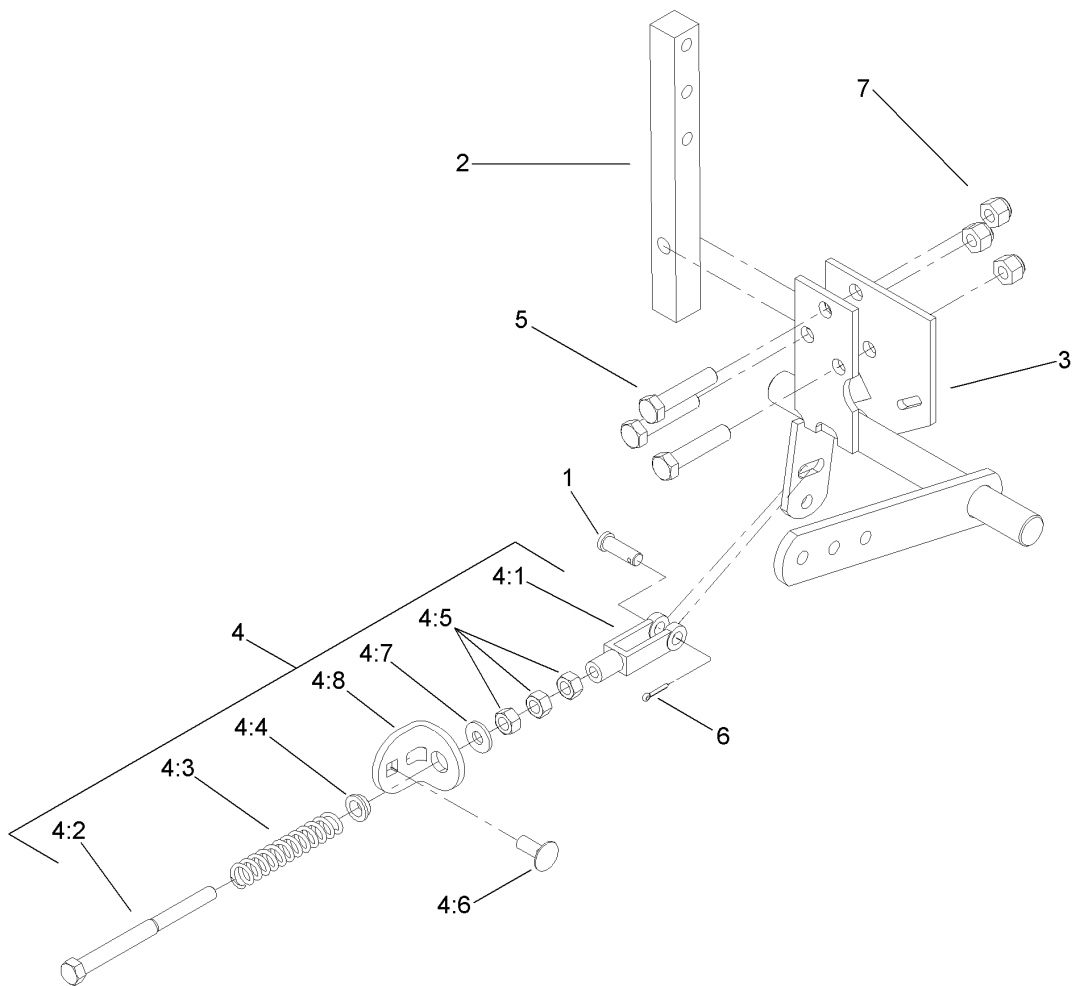
Brake and Wheel Hub Assembly

Ref.	Part Number	Qty.	Description	Ref.	Part Number	Qty.	Description
1	1-513140	2	Bearing-Control	14	1-633144	2	Pin-Trunion
2	1-633454	2	Spring-Brake	15	103-0590	2	Hub And Wheel ASM
3	103-4332	1	Brake Rod And Yoke ASM	15:1	103-0589	1	Wheel Hub ASM
3:1	1-633131	2	Yoke-Linkage, Brake	15:2	1-633926	4	Stud-Wheel
3:2	1-633477	1	Rod-Brake	18	323-4	4	Screw-HH
3:3	3219-3	2	Nut-Hex	19	103-2399	3	Pin-Spring, Clevis
4	1-634500	1	Brake Lever ASM	20	325-17	8	Screw-HH
4:2	1-633268	1	Grip-Lever	21	1481	2	Fitting-Grease
5	1-632217-03	1	Shaft-Brake	22	109-5618	8	Nut-Square, Special
6	103-0352-03	2	Bracket-Brake	23	3219-3	4	Nut-Hex
7	1-523157	2	Washer-Spacer	24	3290-357	4	Nut-HHF, Whiz
9	103-0355	2	Band-Brake	26	3256-4	4	Washer-Flat
10	1-633380	4	Spacer-Wheel, Short	27	3272-10	2	Pin-Cotter
11	1-633382	4	Spacer-Wheel, Long	28	1-806800	2	Pin-Cotter
12	1-633102	2	Bearing-Flange, Side	29	322-9	6	Screw-HH
13	103-4333	2	Brake Rod And Yoke ASM	30	103-0384	6	Spacer
13:1	1-633131	1	Yoke-Linkage, Brake	31	103-0374	2	Retainer-Band, Brake
13:2	1-633477	1	Rod-Brake	32	1-808285	1	Pin-Clevis
13:3	3219-3	1	Nut-Hex				



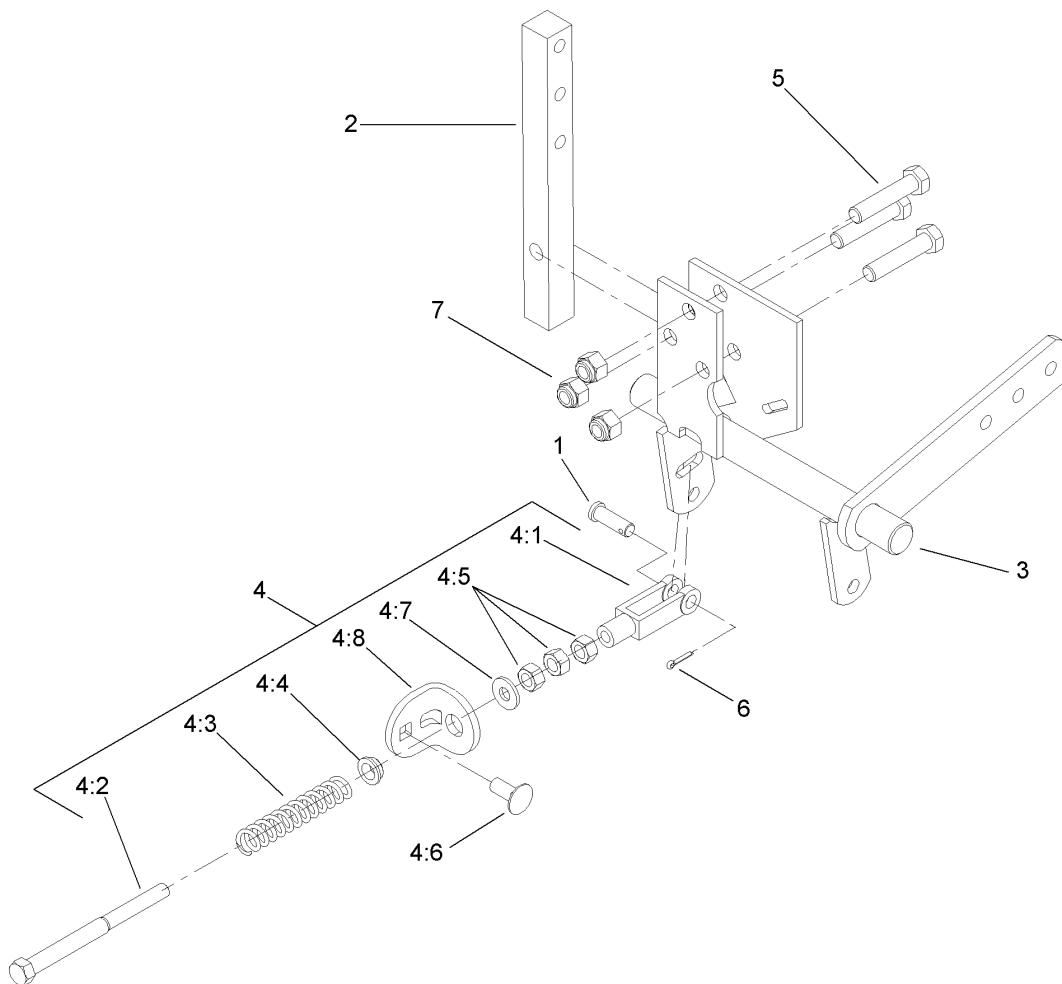
Steering Control Assembly

<i>Ref.</i>	<i>Part Number</i>	<i>Qty.</i>	<i>Description</i>	<i>Ref.</i>	<i>Part Number</i>	<i>Qty.</i>	<i>Description</i>
2	98-5975	4	Washer-Belleville	20	322-6	3	Screw-HH
3	109-2339	2	Damper-Control, Motion	21	323-4	8	Screw-HH
4	109-6058-03	1	Bracket-Mount, Damper	22	323-6	4	Screw-HH
5	3230-2	2	Bolt-CARR	24	1-803022	2	Screw-Set
8	1-403180	4	Screw-HH	30	3256-3	4	Washer-Flat
9	103-4331	2	Tracking Rod ASM	34	32128-20	6	Nut-HF
9:1	1-543017	1	Balljoint-RH	35	3290-357	8	Nut-HHF, Whiz
9:2	3219-2	3	Nut-Hex	37	108-7237	1	RH Lever ASM
9:4	1-804524	1	Nut	37:1	106-9987	1	Grip-Control, Motion
9:5	1-633152	1	Balljoint-LH	38	3296-29	10	Nut-Lock, NI
10	103-0384	1	Spacer	39	3217-6	4	Nut-Hex
11	108-7238	1	LH Lever ASM	40	109-3906	1	LH Motion Control ASM
11:1	106-9987	1	Grip-Control, Motion	41	109-3907	1	RH Motion Control ASM
12	1-632208	2	Arm-Control, Pump	42	322-12	1	Screw-HH
16	1-633102	4	Bearing-Flange, Side	43	105-7699	1	Strip-Seal



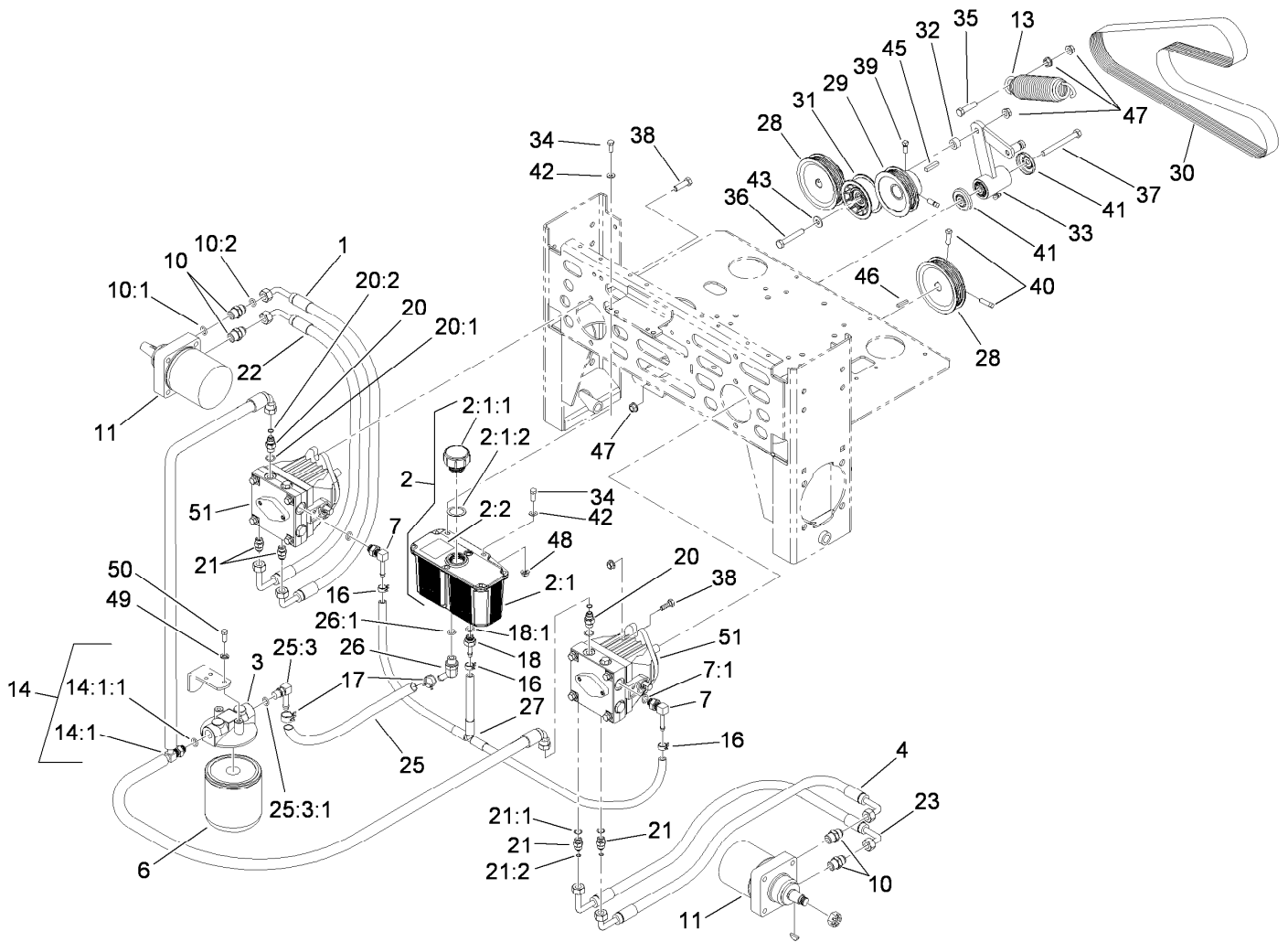
LH Motion Control Assembly No. 109-3906

<i>Ref.</i>	<i>Part Number</i>	<i>Qty.</i>	<i>Description</i>
1	1-808280	1	Pin-Clevis
2	103-0407	1	Arm-Shaft, Control
3	109-3902	1	Control-Motion, LH
4	109-3903	1	Neutral Return ASM
4:1	1-303105	1	Yoke-Adjustable
4:2	1-603737	1	Bolt-Return, Neutral
4:3	1-603807	1	Spring-Return, Neutral
4:4	109-3769	1	Bushing-Nylon, Flanged
4:5	3219-2	3	Nut-Hex
4:6	3230-23	1	Screw-CARR
4:7	3256-2	1	Washer-Flat
4:8	109-3908	1	Tab-Adjustment
5	323-9	3	Screw-HH
6	3272-5	1	Pin-Cotter
7	3296-39	3	Nut-Lock, NI



RH Motion Control Assembly No. 109-3707

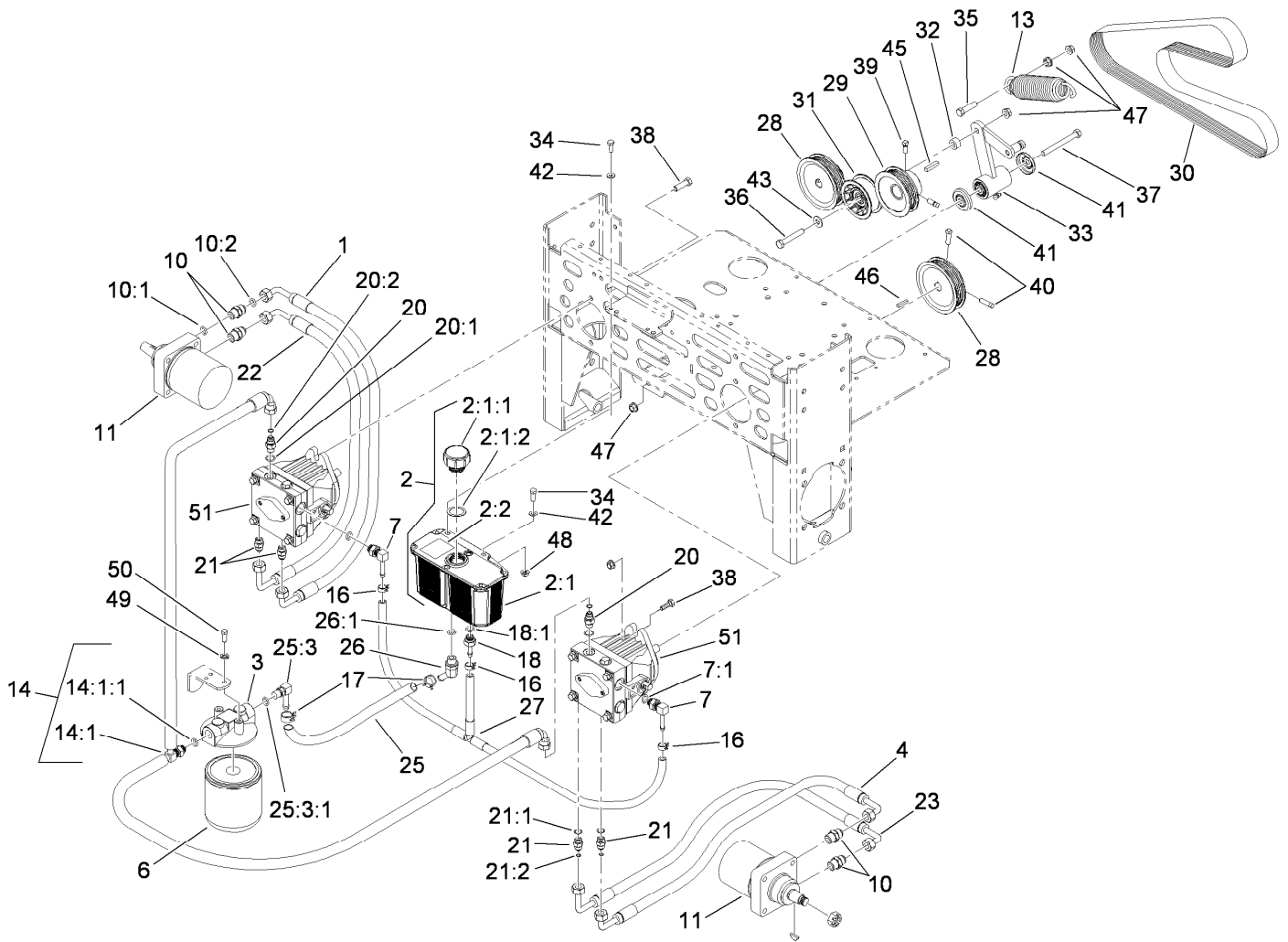
<i>Ref.</i>	<i>Part Number</i>	<i>Qty.</i>	<i>Description</i>
1	1-808280	1	Pin-Clevis
2	103-0407	1	Arm-Shaft, Control
3	109-3901	1	Control-Motion, RH
4	109-3903	1	Neutral Return ASM
4:1	1-303105	1	Yoke-Adjustable
4:2	1-603737	1	Bolt-Return, Neutral
4:3	1-603807	1	Spring-Return, Neutral
4:4	109-3769	1	Bushing-Nylon, Flanged
4:5	3219-2	3	Nut-Hex
4:6	3230-23	1	Screw-CARR
4:7	3256-2	1	Washer-Flat
4:8	109-3908	1	Tab-Adjustment
5	323-9	3	Screw-HH
6	3272-5	1	Pin-Cotter
7	3296-39	3	Nut-Lock, NI



Hydraulic Assembly

Ref.	Part Number	Qty.	Description	Ref.	Part Number	Qty.	Description
1	103-3736	1	HYD Hose ASM	14:1:1	237-42	1	O-Ring
2	103-1947	1	HYD Reservoir ASM	16	103-1716	3	Clamp-Hose
2:1		1	Reservoir-HYD ●	17	103-1988	1	Clamp-Hose
2:1:1	103-1948	1	Cap-Reservoir, HYD	18	103-1801	1	Adapter-Straight
2:1:2	103-1949	1	Gasket-Cap	18:1	237-42	1	O-Ring
2:2	1-523552	1	Decal-Tank, HYD	20	103-2156	2	Fitting-Straight
3	104-7836	1	Head-Filter	20:1	1-603921	1	O-Ring
4	103-3733	1	HYD Hose ASM	20:2	103-1020	1	O-Ring
6	1-633752	1	Filter-HYD, Winter	21	1-603990	4	Fitting-Straight
6	1-633750	1	Filter-Oil, HYD	21:1	1-603920	1	O-Ring
7	103-1799	2	Elbow-90 DEG	21:2	1-603992	1	O-Ring
7:1	237-42	1	O-Ring	22	103-3737	1	HYD Hose ASM
10	1-603991	4	Fitting-Straight	23	103-3735	1	HYD Hose ASM
10:1	237-80	1	O-Ring	25	109-7689	1	HYD Hose ASM
10:2	1-603992	1	O-Ring	25:3		1	Fitting-Barb ●
11	1-523328	2	Motor-Wheel	25:3:1	237-42	1	O-Ring
13	103-3330	1	Spring-Extension	26	103-1807	1	Fitting-Barbed, 45 DEG
14	109-6273	1	HYD Hose ASM	26:1	237-42	1	O-Ring
14:1		1	Adapter-Run, Tee ●	27	103-1806	1	HYD Hose ASM

● Not serviced separately

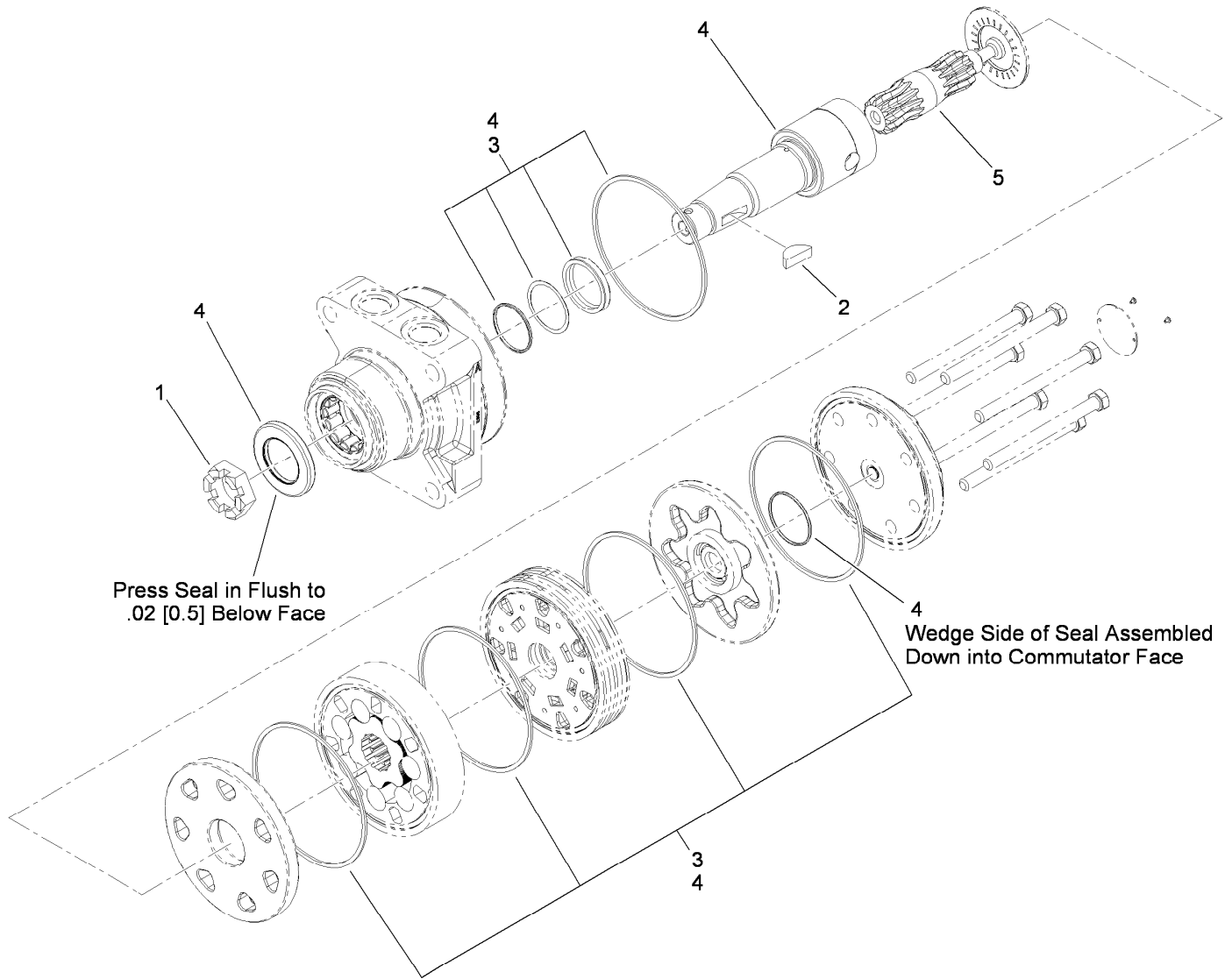


Hydraulic Assembly (continued)

Ref.	Part Number	Qty.	Description
28	109-6046	2	Sheave
29	109-7738	1	Sheave
30	114-1512	1	Belt
31	109-4076	1	Pulley-Flat Idler
32	1-603050	1	Spacer
33	103-5679	1	Pump Idler ASM
34	321-6	2	Screw-HH
35	323-8	1	Screw-HH
36	323-11	1	Screw-HH
37	1-800805	1	Screw-HH
38	323-7	4	Screw-HH
39	1-803050	2	Screw-Set

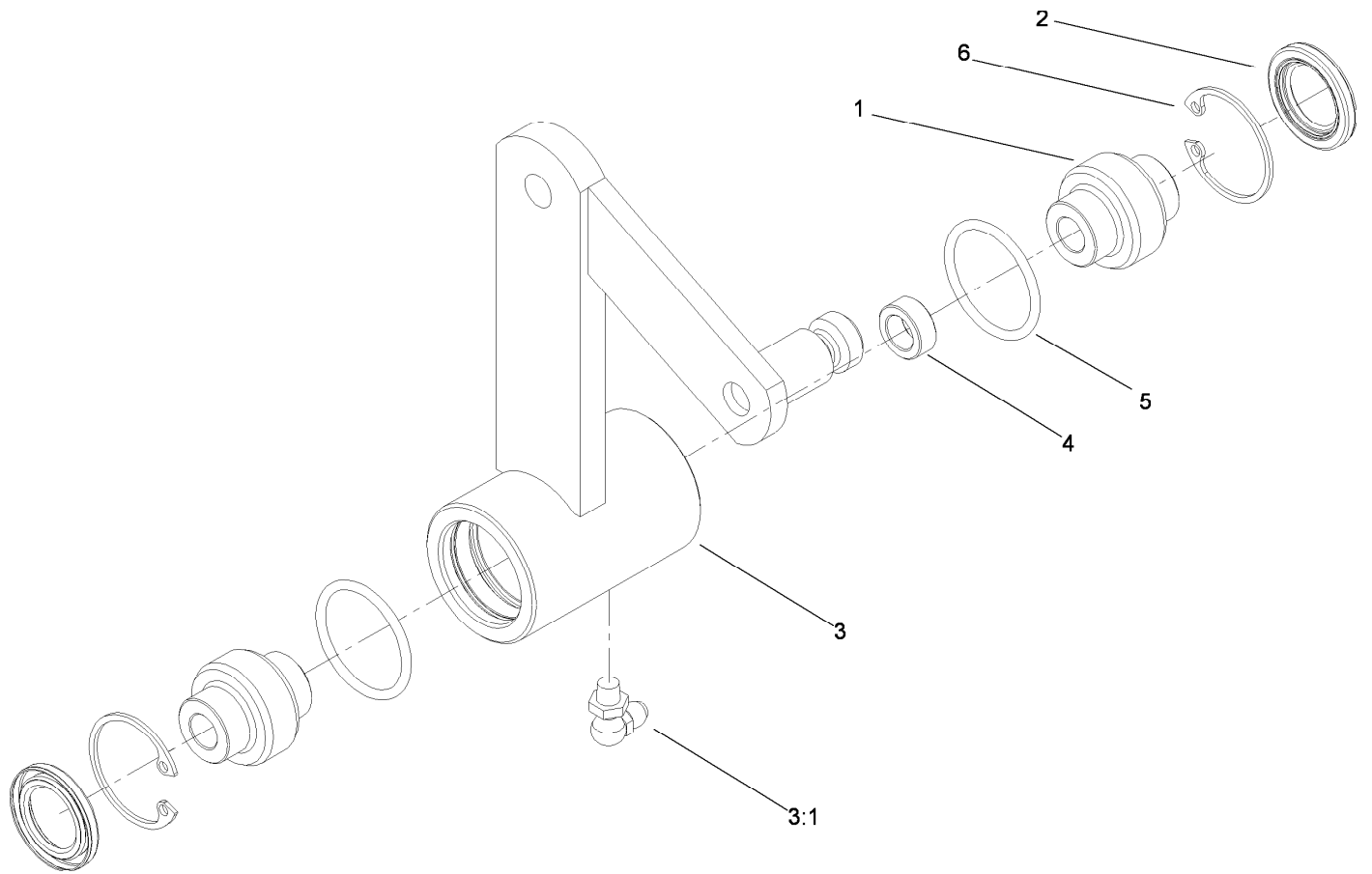
Ref.	Part Number	Qty.	Description
40	30-1710	4	Screw
41	103-2916	2	Guard-Top
42	3256-22	2	Washer-Flat
43	3256-4	1	Washer-Flat
45	13-2840	1	Key-Square
46	5-1077	2	Key-Square
47	3290-357	8	Nut-HHF, Whiz
48	32128-33	2	Nut-HF
49	1-805004	2	Washer-Lock
50	321-3	2	Screw-HH
51	110-4150	2	Pump-HYD

● Not serviced separately



Hydraulic Wheel Motor No. 1-523328

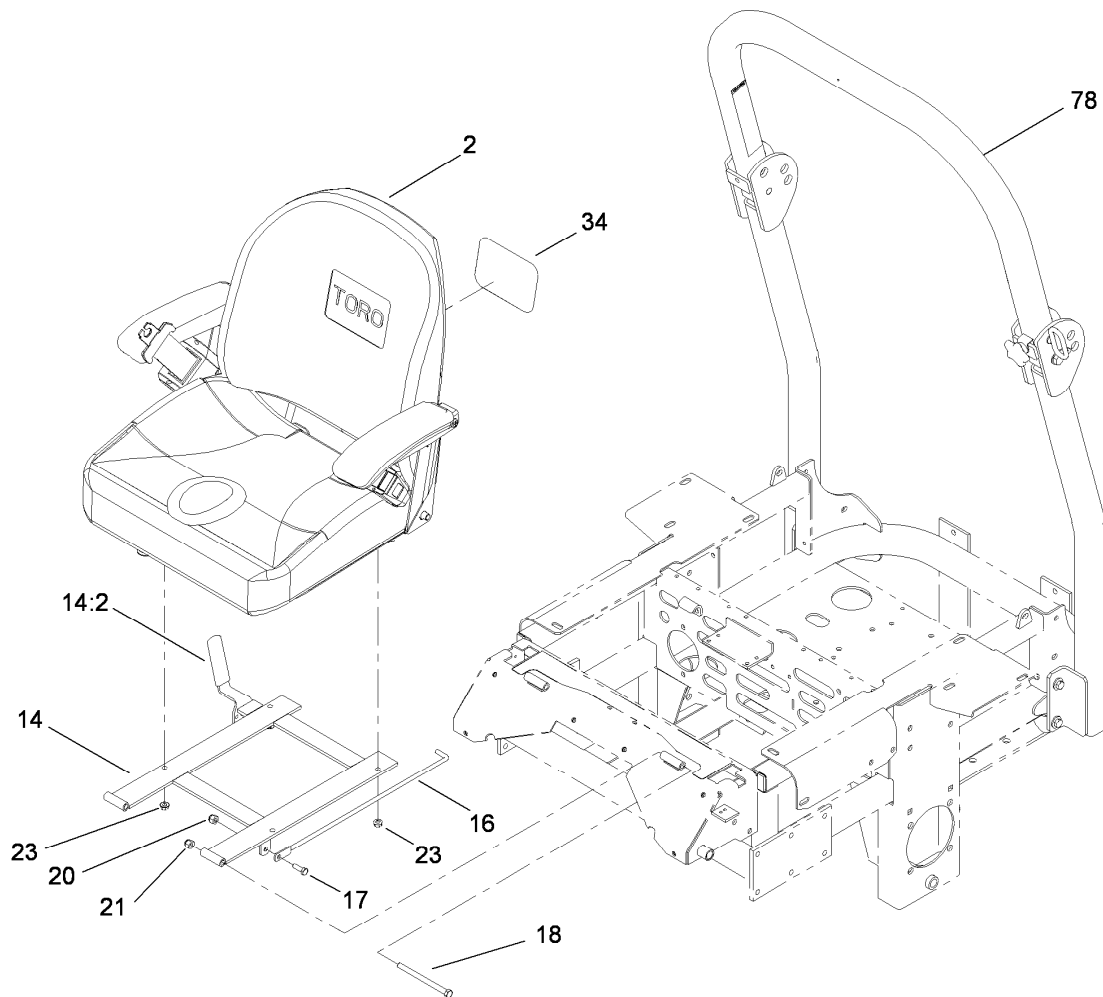
<i>Ref.</i>	<i>Part Number</i>	<i>Qty.</i>	<i>Description</i>
1	1-809036	1	Nut-HH
2	3257-42	1	Key-Woodruff
3	103-6994	1	Seal Kit
4	103-6995	1	Output Shaft And Seals Kit
5	103-2748	1	Drive Link Kit



Pump Idler Assembly No. 103-5679

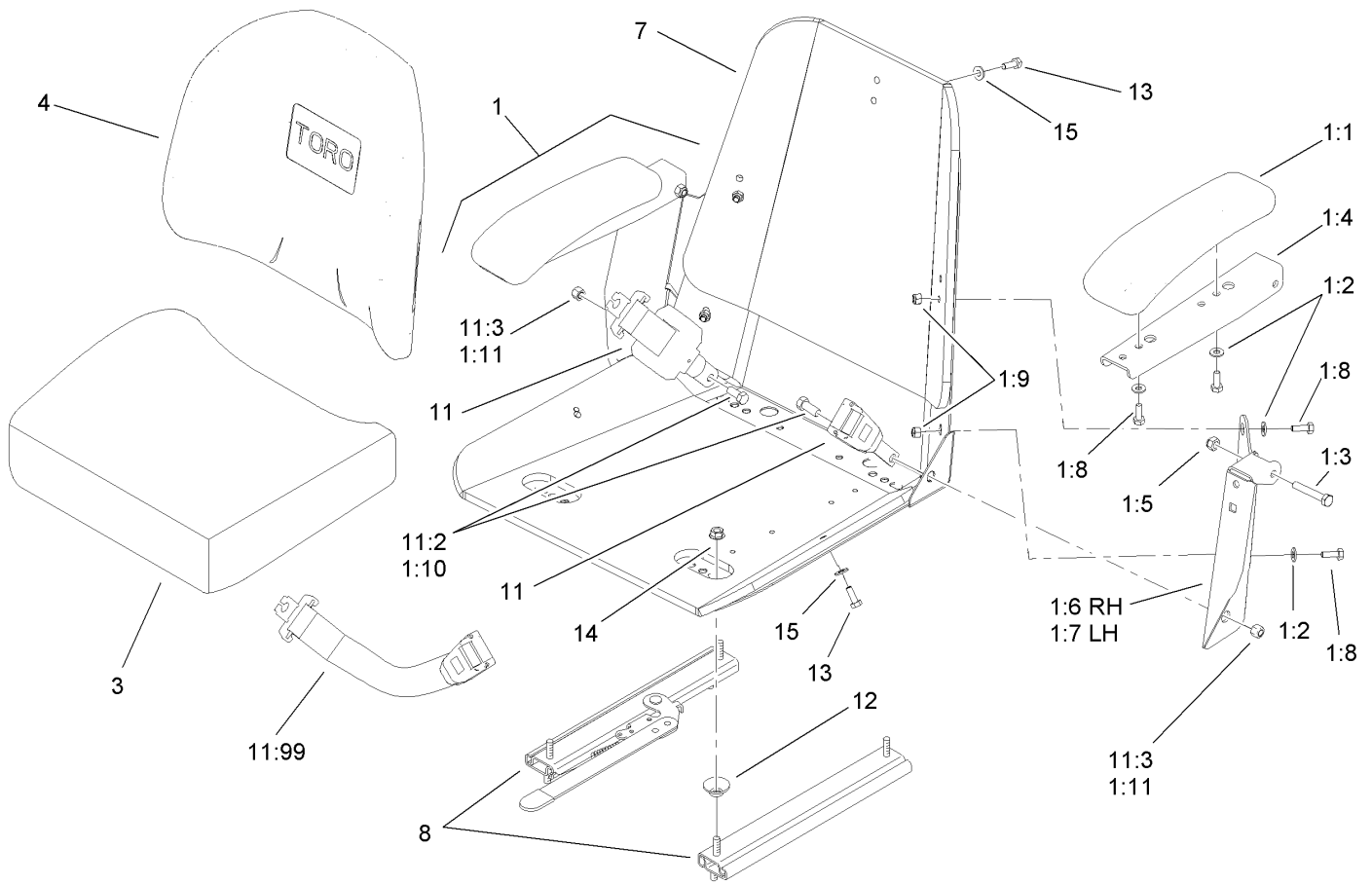
<i>Ref.</i>	<i>Part Number</i>	<i>Qty.</i>	<i>Description</i>
1	103-3504	2	Bearing-Spherical
2	103-3506	2	Seal-Single Lip
3		1	Pump Idler ●
3:1	302-40	1	Fitting-Grease
4	103-5677	1	Spacer
5	106-7159	2	O-Ring
6	32120-10	2	Ring-Snap

● Not serviced separately



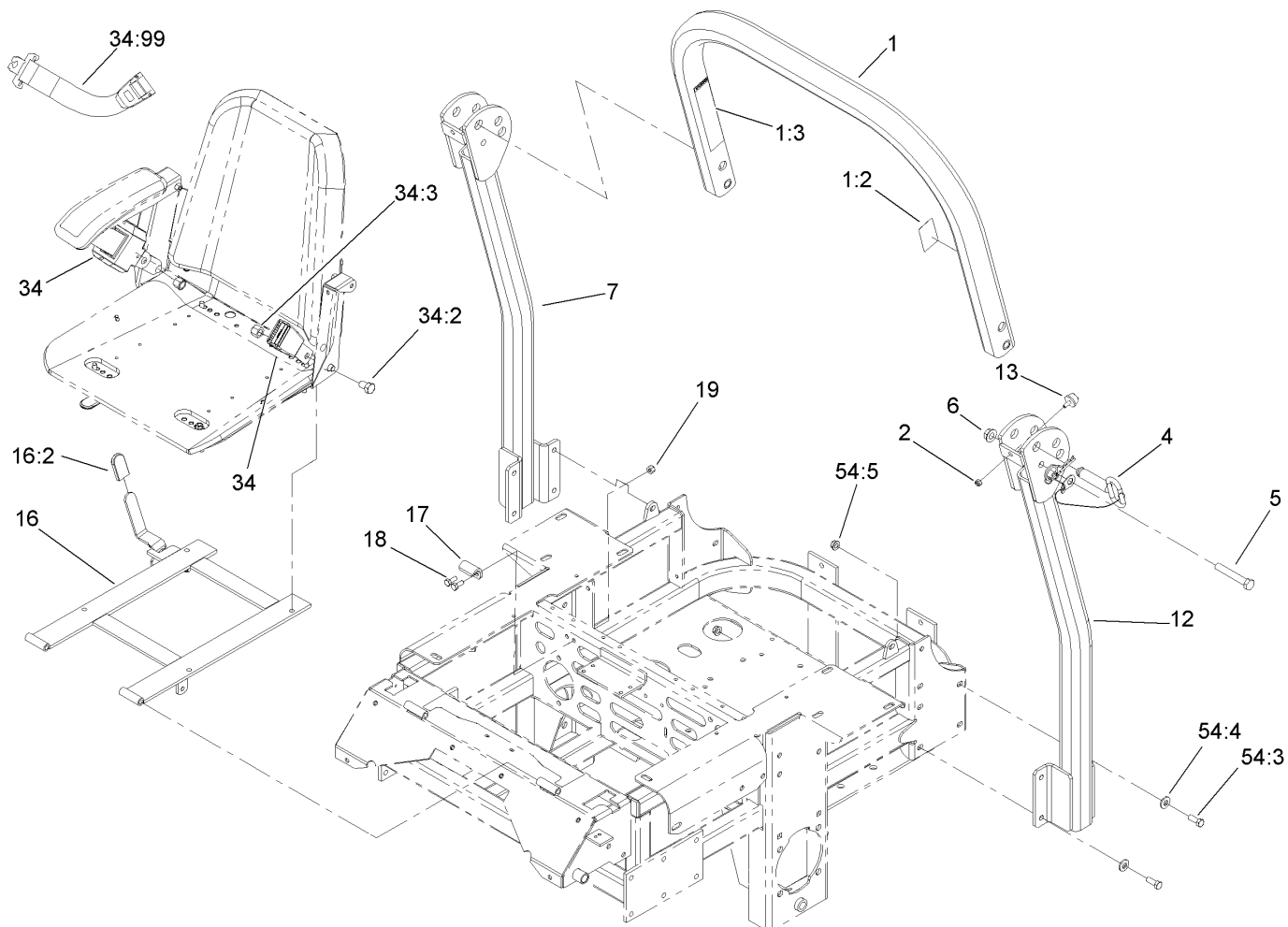
Roll-Over Protection System Assembly

<i>Ref.</i>	<i>Part Number</i>	<i>Qty.</i>	<i>Description</i>
2	110-0446	1	Seat ASM
14	110-5850	1	Seat Frame And Latch ASM
14:2	103-4434	1	Grip-Lever
16	1-633293	1	Rod-Holdup, Seat
17	322-5	1	Screw-HH
18	323-39	2	Screw-HH
20	3296-29	3	Nut-Lock, NI
21	3296-39	2	Nut-Lock, NI
23	32128-20	4	Nut-HF
34	99-4693	1	Decal
78	108-1097	1	ROPS ASM



Seat and Bracket Assembly No. 110-0446

Ref.	Part Number	Qty.	Description
1	110-5719	1	Armrest Kit
1:1	110-4163	2	Cushion-Rest, Arm
1:2	3256-22	4	Washer-Flat
1:3	322-10	2	Screw-HH
1:4	105-3623	2	Channel-Armrest
1:5	32153-3	2	Nut-Hex, Side Deform
1:6	105-3621	1	Bracket-Armrest, RH
1:7	105-3622	1	Bracket-Armrest, LH
1:8	321-30	8	Screw-HH
1:9	3296-42	4	Nut-Lock, NI
1:10	325-2	2	Screw-HH
1:11	3296-23	2	Nut-Lock, NI
3	110-4162	1	Cushion-Seat, Bottom
4	110-0447	1	Cusion-Seat, Back
7	1-633859	1	Frame-Seat
8	1-643255	1	Track-Seat
11	110-0883	1	Retractable Seatbelt Kit
11:2	3212-4	2	Screw-HH
11:3	3296-7	2	Nut-Lock
11:99	109-6226	1	Seat Belt Extension Kit
12	1-543401	4	Spacer-Track
13	321-30	5	Screw-HH
14	32128-20	4	Nut-HF
15	3256-22	5	Washer-Flat

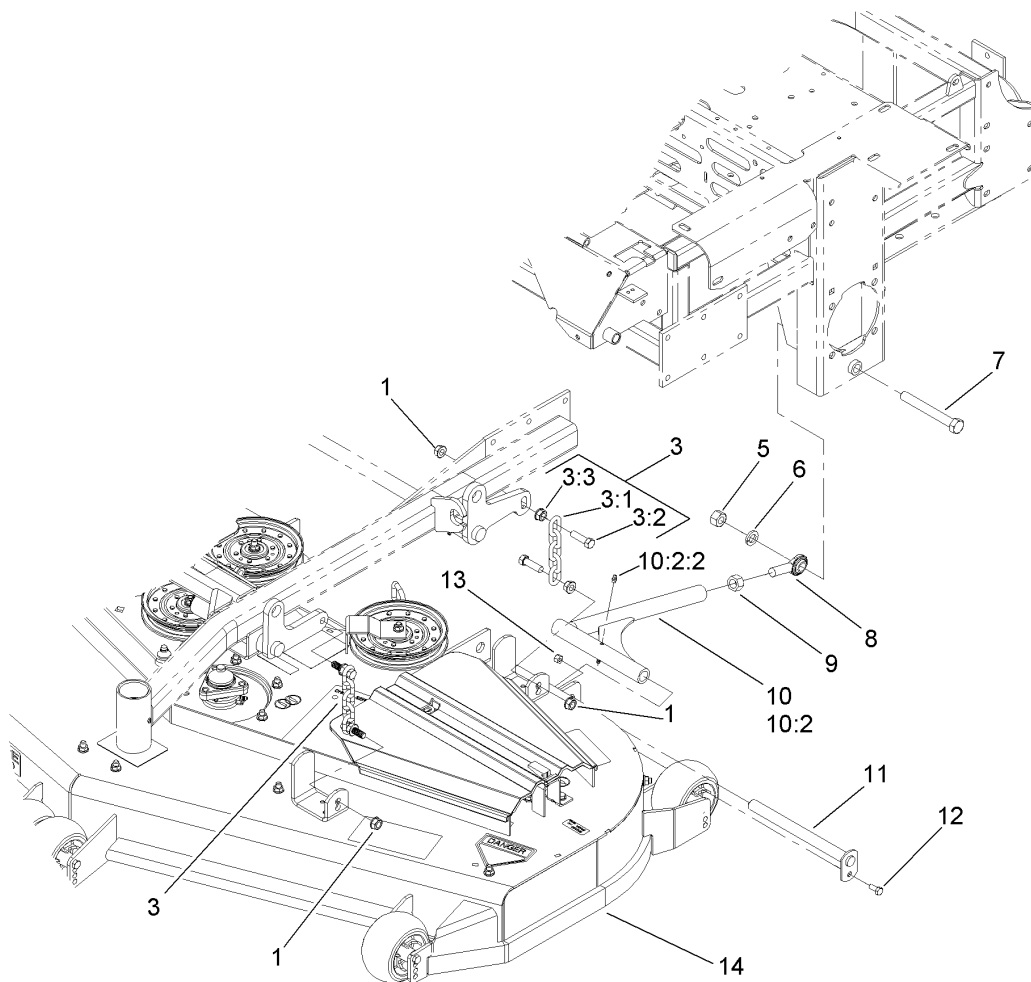


Roll-Over Protection System Assembly No. 108-1097

Ref.	Part Number	Qty.	Description
1		1	Upper Tube ASM ■
1:2	107-2101	1	Decal-ROPS
1:3	107-2102	1	Decal-Warning, Folding ROPS
2	3296-73	2	Nut-Lock, NI
4	103-4553	2	ROPS Fold Pin ASM
5	325-13	2	Screw-HH
6	32128-23	2	Nut-HF
7		1	Tube-Support, RH ■
12		1	Tube-Support, LH ■
13	109-2365	2	Bumper-Rubber (W/Stud)
16	110-5850	1	Seat Frame And Latch ASM
16:2	103-4434	1	Grip-Lever
17	107-3058	1	Catch-Latch, Seat
18	322-3	2	Screw-HH
19	3296-29	2	Nut-Lock, NI
34	110-0883	1	Retractable Seatbelt Kit
34:2	3212-4	2	Screw-HH
34:3	3296-7	2	Nut-Lock
34:99	109-6226	1	Seat Belt Extension Kit
54		1	Bag-Bolt, ROPS ● ■
54:3	323-6	8	Screw-HH
54:4	98-5975	8	Washer-Belleville
54:5	3290-357	8	Nut-HHF, Whiz

● Not illustrated

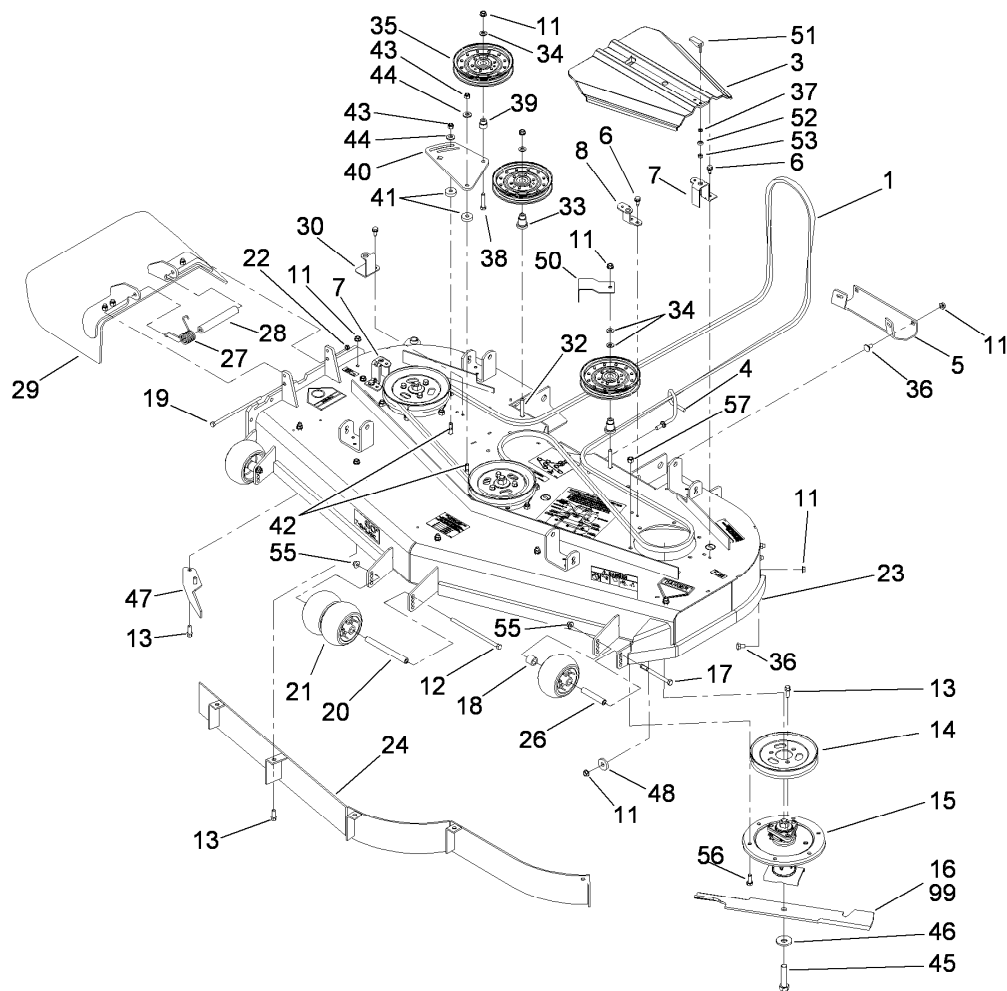
■ Not serviced separately



Deck Connection Assembly

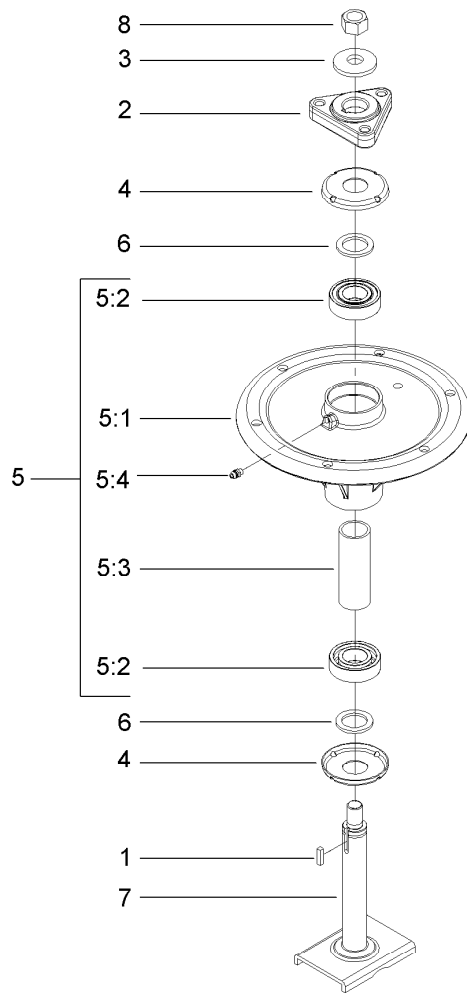
Ref.	Part Number	Qty.	Description
1	32128-37	8	Nut-HF
3	103-9792	4	Deck Chain ASM
3:1	1-633447	1	Chain-Lift, Deck
3:2	103-1898	2	Screw-HH
3:3	32128-37	2	Nut-HF
5	3217-11	2	Nut-Hex
6	3253-8	2	Washer-Lock
7	327-11	2	Screw-HH
8	1-633029	2	Balljoint-Spherical
9	3219-6	2	Nut-Hex
10	109-1181	2	Strut-Deck
10:2		1	Tube And Zerk ASM ●
10:2:2	109-1380	2	Fitting-Grease
11	1-632199-01	2	Pin-Strut
12	322-3	2	Screw-HH
13	3296-29	2	Nut-Lock, NI
14		1	Deck ASM ●

● Not serviced separately



Deck Assembly

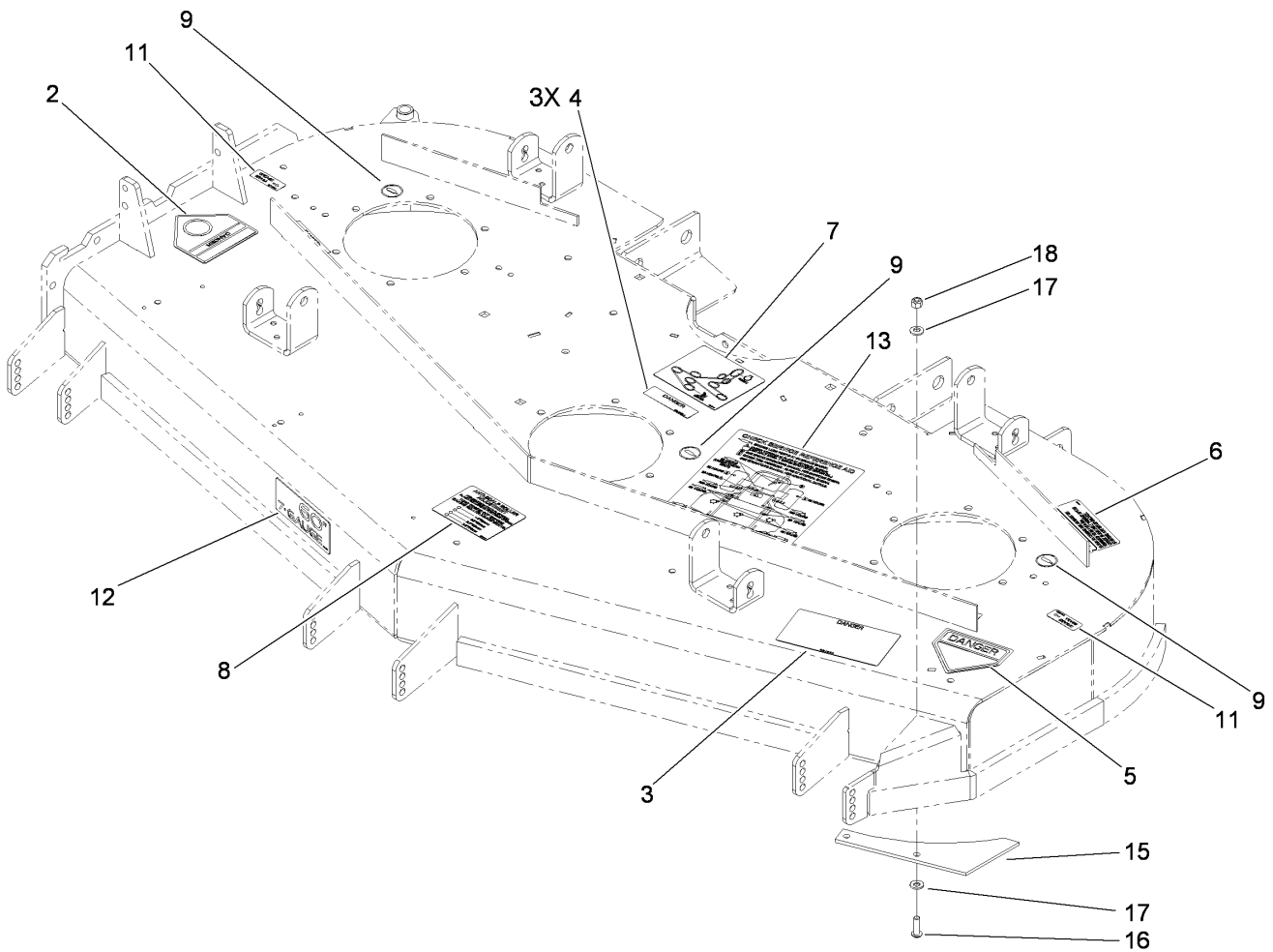
Ref.	Part Number	Qty.	Description	Ref.	Part Number	Qty.	Description
1	105-8783	1	Belt	33	106-3214	2	Mount-Pulley
3	112-8664	2	Cover-Belt	34	3256-24	4	Washer-Flat
4	106-3220	1	Guide-Belt	35	1-633109	3	Idler-Flat
5	105-8792-01	1	Plate-Skid	36	3231-1	11	Screw-CARR
6	32144-70	4	Screw-HWHTF	37	99-3058	2	Washer
7	108-4121-01	2	Bracket-Cover	38	323-9	1	Screw-HH
8	108-2177-01	1	Bracket-Cover, Tall	39	1-603496	1	Bushing-Idler
11	3290-357	23	Nut-HHF, Whiz	40	105-7787-01	1	Plate-Idler
12	108-5388	1	Screw-HH	41	105-7788	2	Spacer
13	92-1624	16	Screw-HWH	42	3231-4	2	Screw-CARR
14	105-7734	3	Pulley	43	3296-39	2	Nut-Lock, NI
15	107-8504	3	Spindle ASM	44	98-5975	2	Washer-Belleville
16	105-7718-03	3	Blade-Hi Flow	45	103-0862	3	Screw-Cap
17	323-23	2	Screw-HH	46	103-0865	3	Washer-Blade Bolt, Heavy
18	98-7913	2	Tube-Spacer	47	106-3216-01	1	Baffle-Discharge
19	322-50	1	Screw-HH	48	112843	1	Washer
20	98-5967	1	Spacer-Wheel	50	108-7220-01	1	Guide-Belt
21	1-603299	4	Roller-Scalp, Anti	51	106-6777	2	Handle-Latch, Swell
22	3296-47	1	Nut-Lock, NI	52	106-6778	2	Bushing-Latch, Swell
23	114-4458	1	Deck ASM	53	1-804254	2	Nut
24	110-5564-01	1	Baffle ASM	55	104-8301	3	Nut-Flange, NI
26	98-7912	2	Tube-Spanner	56	33115-025	18	Screw-HH
27	108-4052	1	Spring-Torsion	57	33025-00	18	Nut-Lock
28	105-4622	1	Spacer	99	105-7716-03	3	Blade-Lo Flow, 20.5 Inch
29	108-7770	1	Rubber Deflector ASM	99	105-7715-03	3	Blade-Mid Flow, 20.5 Inch
30	108-4122-01	1	Bracket-Cover	99	105-7777-03	3	Blade-Recycler, 20.5 Inch
32	3231-31	2	Screw-CARR	99	105-8777-03	3	Blade-Atomic, 20.5 Inch



Spindle Assembly No. 107-8504

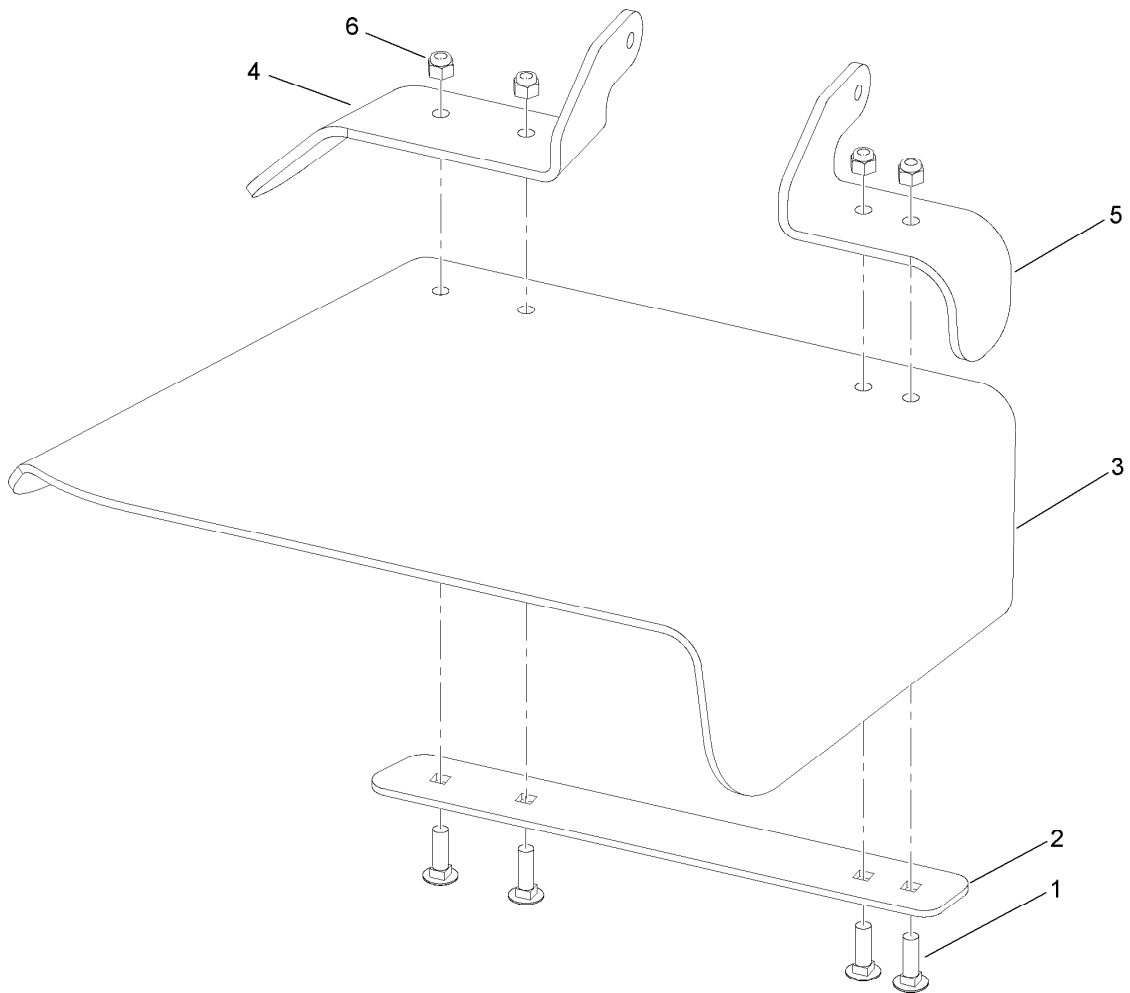
<i>Ref.</i>	<i>Part Number</i>	<i>Qty.</i>	<i>Description</i>
1	10-8040	1	Key-Square
2	106-3277	1	Hub-Pulley
3	103-0865	1	Washer-Blade Bolt, Heavy
4	106-3204	2	Shield-Bearing
5		1	Spindle Bearing ASM ●
5:1	106-3211	1	Housing-Spindle
5:2	113514	2	Bearing-Ball
5:3	107-8502	1	Spacer-Bearing
5:4	302-5	1	Fitting-Grease
6	3-8514	2	Washer-Thrust
7	107-8501	1	Spindle ASM
8	3219-6	1	Nut-Hex

● Not serviced separately



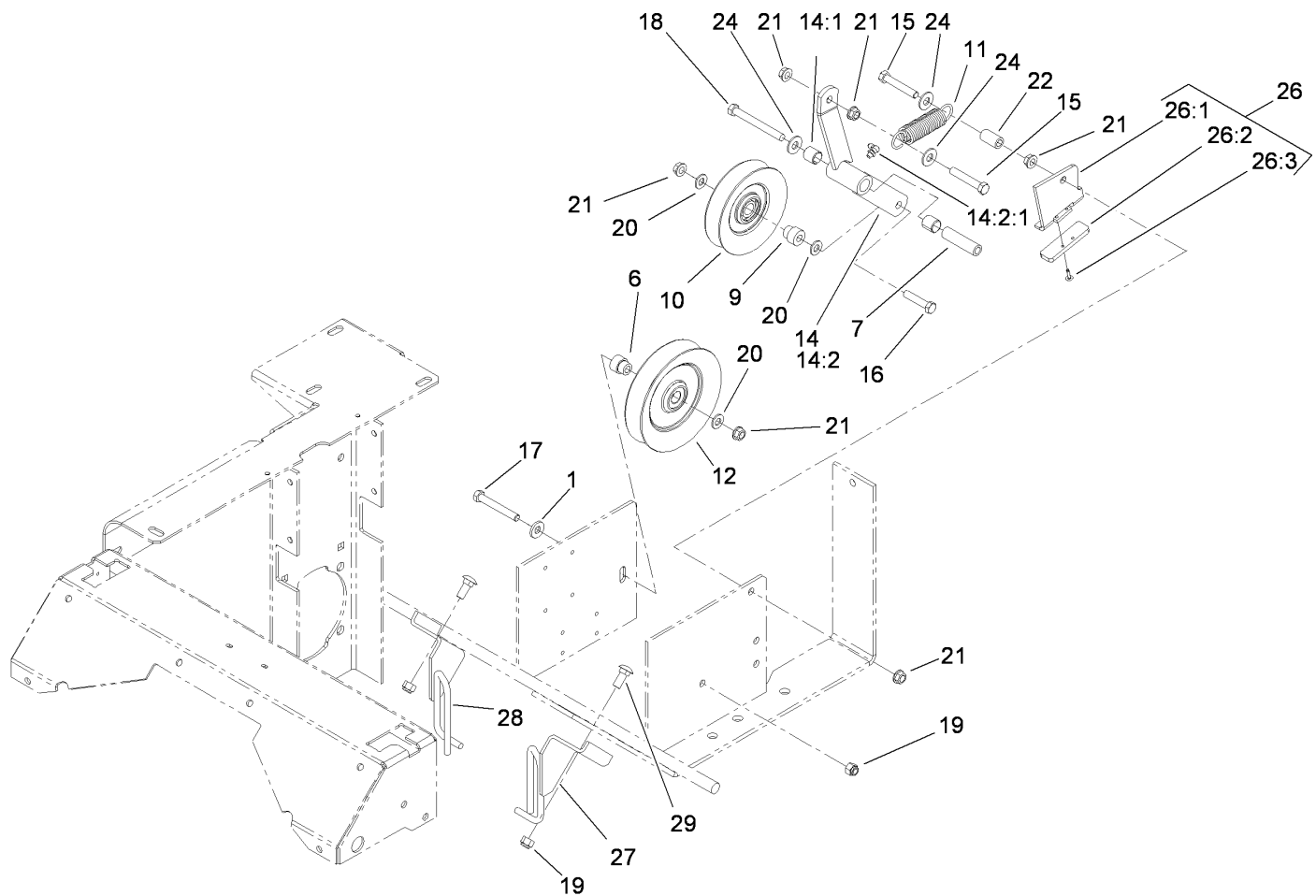
Deck Decal Assembly

Ref.	Part Number	Qty.	Description
2	54-9220	1	Decal-Danger
3	66-1340	1	Decal-Danger, Thrown Object
4	98-5954	3	Decal-Cover, Missing
5	1-403005	1	Decal-Danger
6	68-8340	1	Decal-Torque
7	105-7797	1	Decal-Routing, Belt
8	105-7798	1	Decal-Scalp, Anti
9	58-6520	3	Decal-Grease
11	107-1613	2	Decal-Grease
12	110-5567	1	Decal
13	117-3813	1	Decal-Service, Check
15	107-3137	1	Plate-Turbo
16	3274-104	2	Screw-HSBH
17	1-303334	4	Washer-Spring
18	3296-29	2	Nut-Lock, NI



Rubber Deflector Assembly No. 108-7770

<i>Ref.</i>	<i>Part Number</i>	<i>Qty.</i>	<i>Description</i>
1	3231-25	4	Screw-CARR
2	106-3248-03	1	Strap-Discharge
3	108-5029	1	Deflector-Rubber
4	108-7767-03	1	Bracket-Hinge, Rear
5	108-7766-03	1	Bracket-Hinge, Front
6	3296-39	4	Nut-Lock, NI

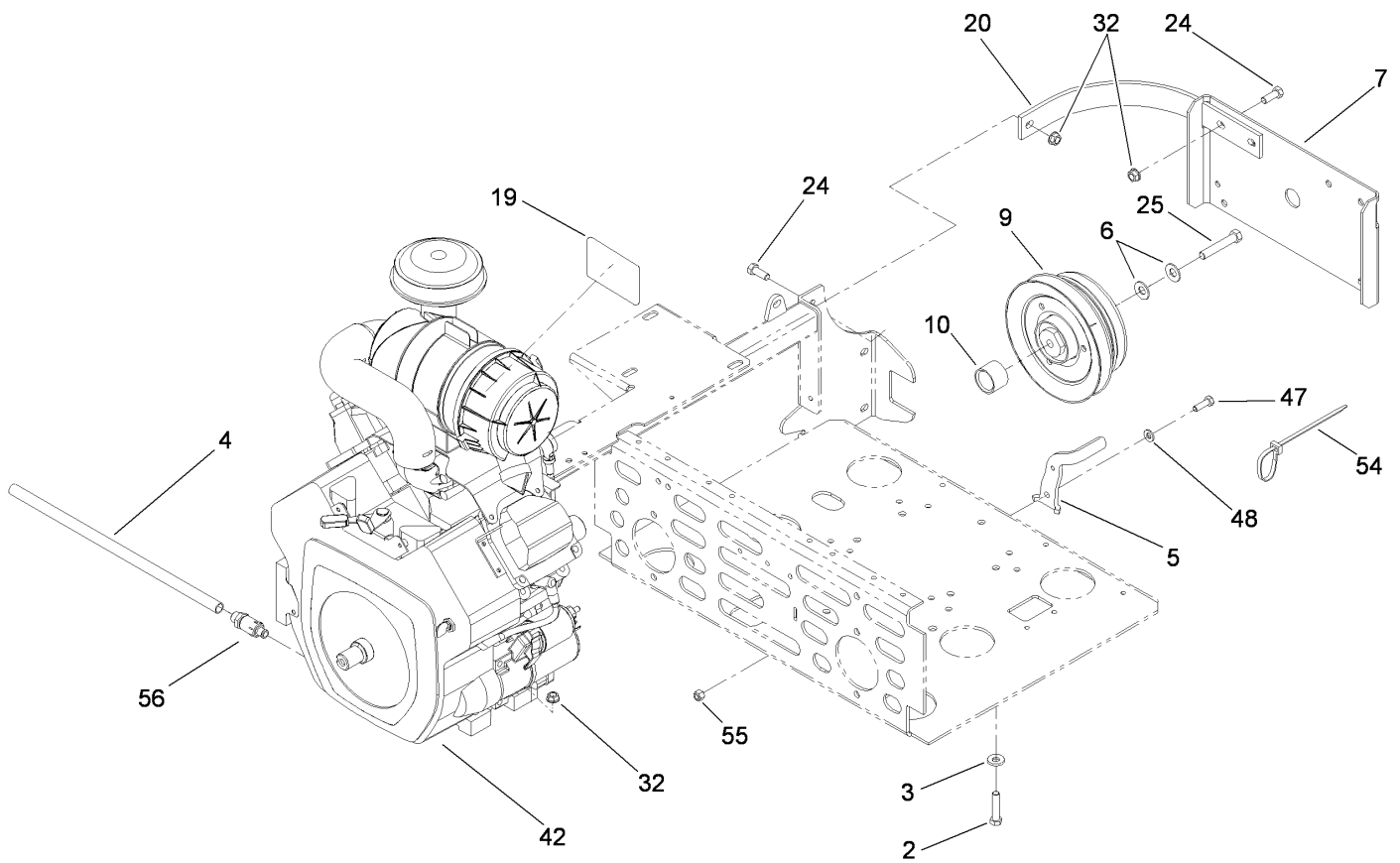


Drive Idler Assembly

Ref.	Part Number	Qty.	Description
1	98-5975	1	Washer-Belleville
6	103-2627	1	Bushing-Idler
7	1-603384	1	Bushing-Pivot, Idler
9	1-603496	1	Bushing-Idler
10	99-4638	1	Idler
11	1-603402	1	Spring-Extension
12	1-633166	1	Pulley-Idler
14	103-3147	1	Arm ASM
14:1	1-513034	2	Sleeve-Bearing
14:2		1	Arm-Idler ●
14:2:1	302-40	1	Fitting-Grease
15	323-12	2	Screw-HH
16	323-9	1	Screw-HH
17	323-13	1	Screw-HH

Ref.	Part Number	Qty.	Description
18	1-800805	1	Screw-HH
19	3296-39	3	Nut-Lock, NI
20	3256-24	3	Washer-Flat
21	3290-357	6	Nut-HHF, Whiz
22	1-603401	1	Spacer-Fender
24	3256-4	3	Washer-Flat
26	106-3271	1	Travel Limiter ASM
26:1	106-3228-03	1	Plate-Limiter, Pulley
26:2	106-3229	1	Pad-Bumper
26:3	3269-24	2	Rivet
27	108-7204-03	1	Guide-Belt, LH
28	108-7229-03	1	Guide-Belt, RH
29	3231-2	2	Screw-CARR

● Not serviced separately

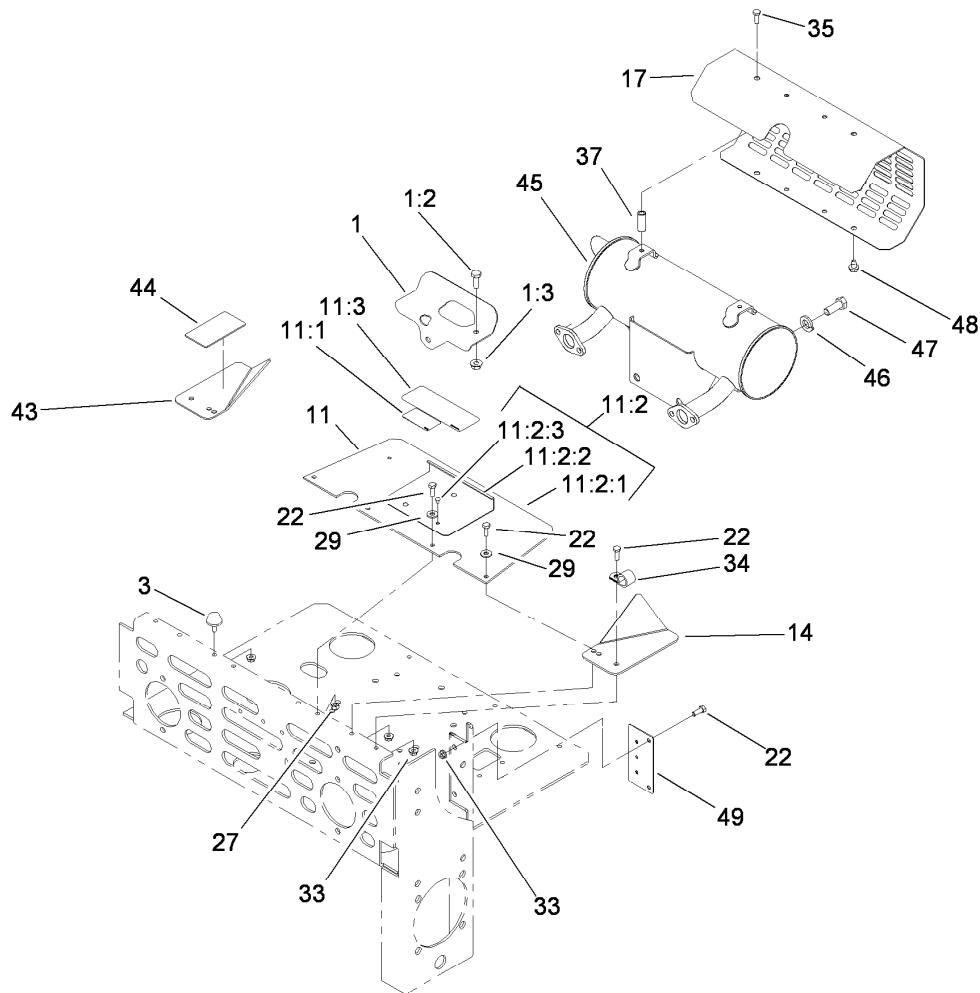


Engine and Clutch Assembly

Ref.	Part Number	Qty.	Description
2	323-9	4	Screw-HH
3	98-5975	4	Washer-Belleville
4	106-7022	1	Tube-Drain, Oil
5	109-7083-03	1	Anchor-Clutch
6	1-603610	2	Washer-Spring
7	1-633615-03	1	Guard-Clutch
9	103-6579	1	Clutch
10	1-633179	1	Spacer-Clutch
19	103-3270	1	Decal
20	103-7454-03	2	Strap-Guard
24	323-6	6	Screw-HH
25	3212-10	1	Screw-HH
32	3290-357	8	Nut-HHF, Whiz
42		1	Engine-Kohler, Ch740-3118 ●■
47	322-5	1	Screw-HH
48	1-303334	1	Washer-Spring
54	1-303335	1	Tie-Plastic
55	3296-29	1	Nut-Lock, NI
56	92-6877	1	Valve-Drain, Oil

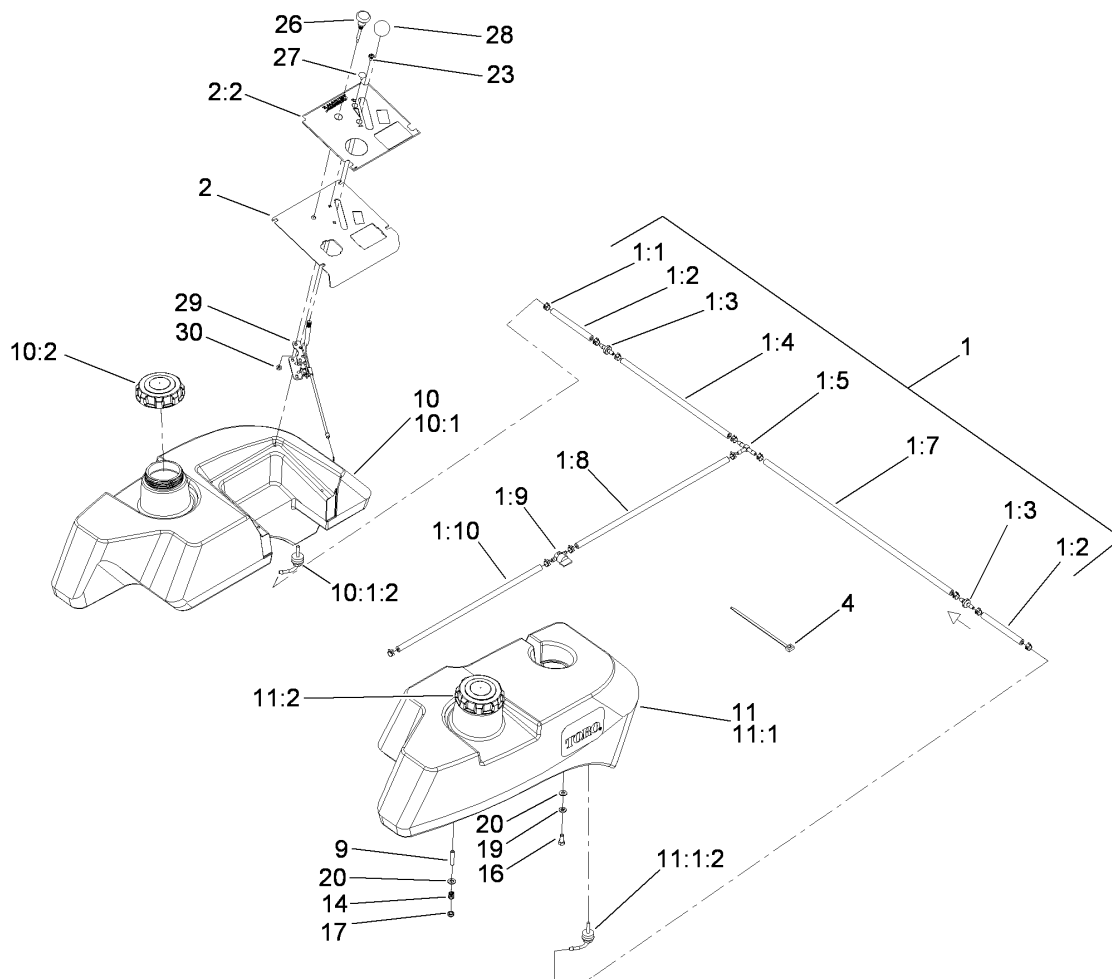
● Not serviced separately

■ Obtain parts from www.kohlerplus.com



Muffler and Guard Assembly

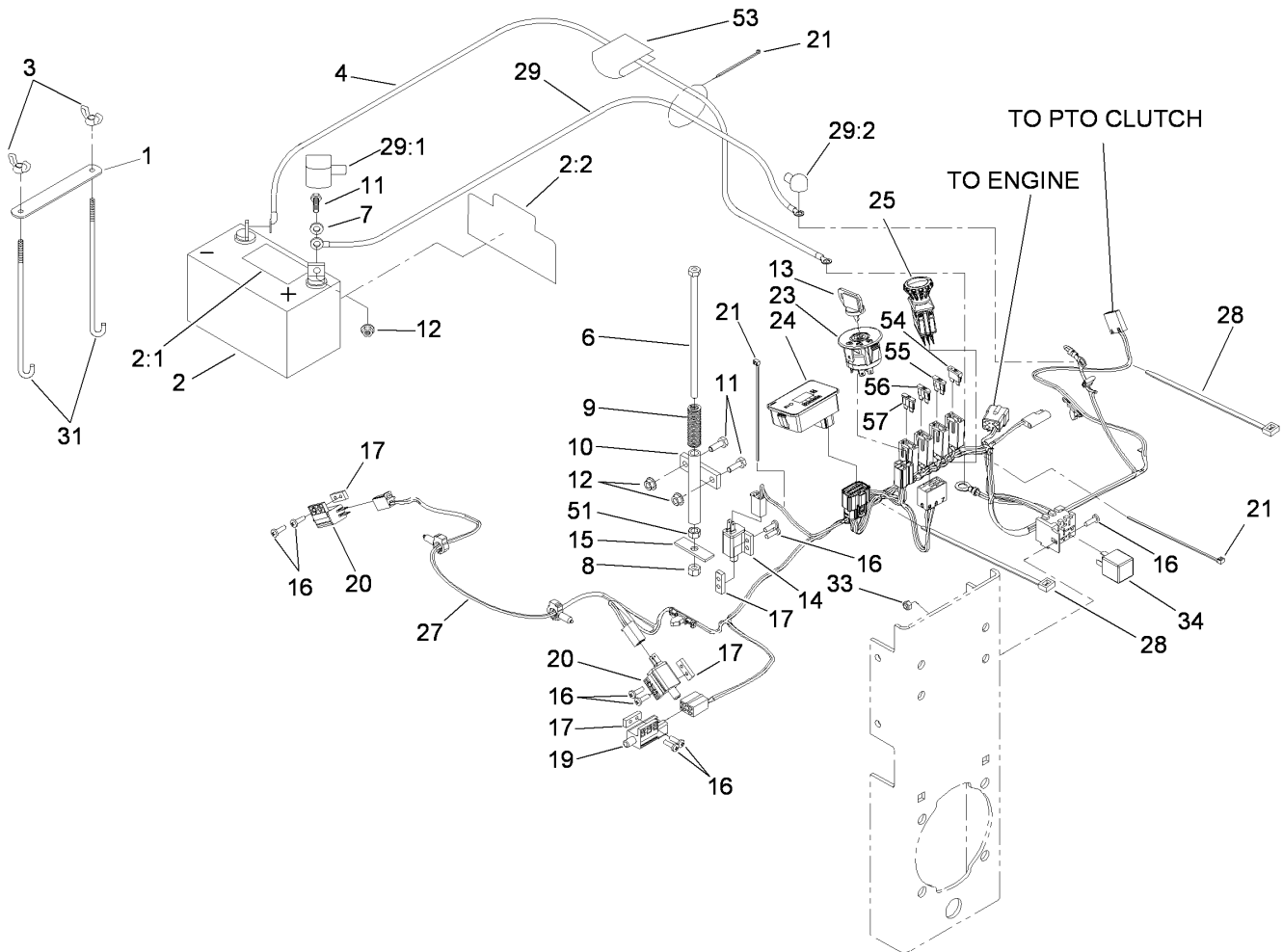
<i>Ref.</i>	<i>Part Number</i>	<i>Qty.</i>	<i>Description</i>	<i>Ref.</i>	<i>Part Number</i>	<i>Qty.</i>	<i>Description</i>
1	103-3535	1	Cable Heat Shield Kit	27	3296-42	4	Nut-Lock, NI
1:2	321-4	1	Screw-HH	29	3256-2	4	Washer-Flat
1:3	32128-33	1	Nut-HF	33	32128-33	8	Nut-HF
3	109-2365	2	Bumper-Rubber (W/Stud)	34	1-633396	1	Clip-Loom
11	1-644276	1	Shield ASM	35	1-809108	2	Screw-HWH
11:1	1-633462	1	Decal-Important	37	1-323236	2	Spacer
11:2	1-634308	1	Shield And Lift ASM	43	103-6619-03	1	Support-Front Cover, RH
11:2:1	103-1308	1	Shield-Engine	44	1-643339	1	Decal-Routing, Belt
11:2:2	1-633300-03	1	Lift-Shield	45	103-7482	1	Muffler
11:2:3	1-803035	3	Rivet-Pop	46	3253-6	2	Washer-Lock
11:3	103-5881	1	Decal-Devices, Rotating	47	324-2	2	Screw-HH
14	103-6620-03	1	Support-Front Cover, LH	48	9266934	2	Screw
17	1-643313-03	1	Guard-Muffler	49	109-7679-03	1	Mount-Relay
22	321-4	10	Screw-HH				



Fuel System Assembly

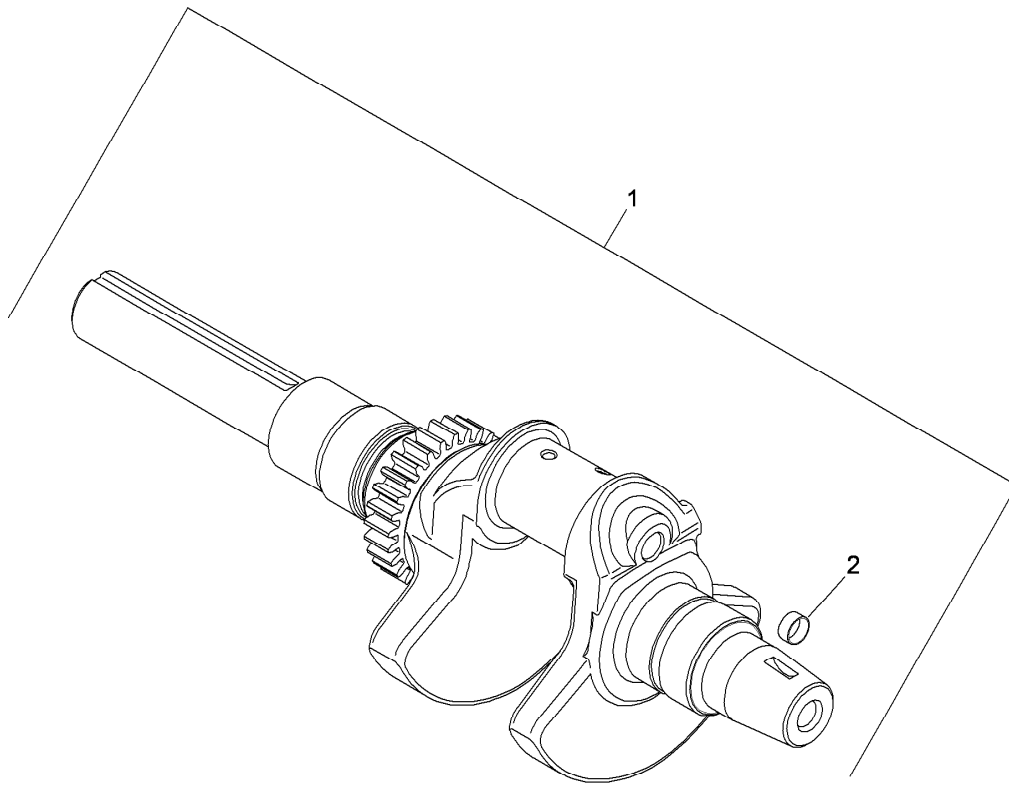
Ref.	Part Number	Qty.	Description	Ref.	Part Number	Qty.	Description
1	107-9285	1	Fuel Line ASM	10:2	109-0346	1	Cap-Fuel, Gas
1:1	2412-98	12	Clamp	11	105-3643	1	RH Fuel Tank Kit
1:2	109-0678	2	Hose-Fuel	11:1		1	RH Fuel Tank ASM ●
1:3	99-5000	2	Valve-Check, Fuel	11:1:2	103-2605	1	Fitting-Fuel, Bulkhead
1:4	109-0305	1	Hose-Fuel	11:2	109-0346	1	Cap-Fuel, Gas
1:5	99-5005	1	Fitting-Tee, Barbed	14	1-633349	6	Spring-Tank, Fuel
1:7	109-0302	1	Hose-Fuel	16	322-3	2	Screw-HH
1:8	109-0299	1	Hose-Fuel	17	3296-47	6	Nut-Lock, NI
1:9	1-603770	1	Valve-Fuel	19	1-805005	2	Washer-Lock
1:10	114-4428	1	Hose-Fuel	20	3256-23	8	Washer-Flat
2	117-0907	1	Control Panel ASM	23	109-2661	4	Screw-PPH
2:2	117-0905	1	Decal-Panel, Control	26	106-9962	1	Control-Choke, Push / Pull
4	1-303335	4	Tie-Plastic	27	1-807513	2	Bolt-CARR
9	1-633023	6	Stud	28	1-513592	1	Knob-Ball
10	105-3644	1	LH Fuel Tank Kit	29	107-8073	1	Cable-Throttle
10:1		1	LH Fuel Tank ASM ●	30	3296-2	2	Nut-Lock, NI
10:1:2	103-2605	1	Fitting-Fuel, Bulkhead				

● Not serviced separately



Electrical Assembly

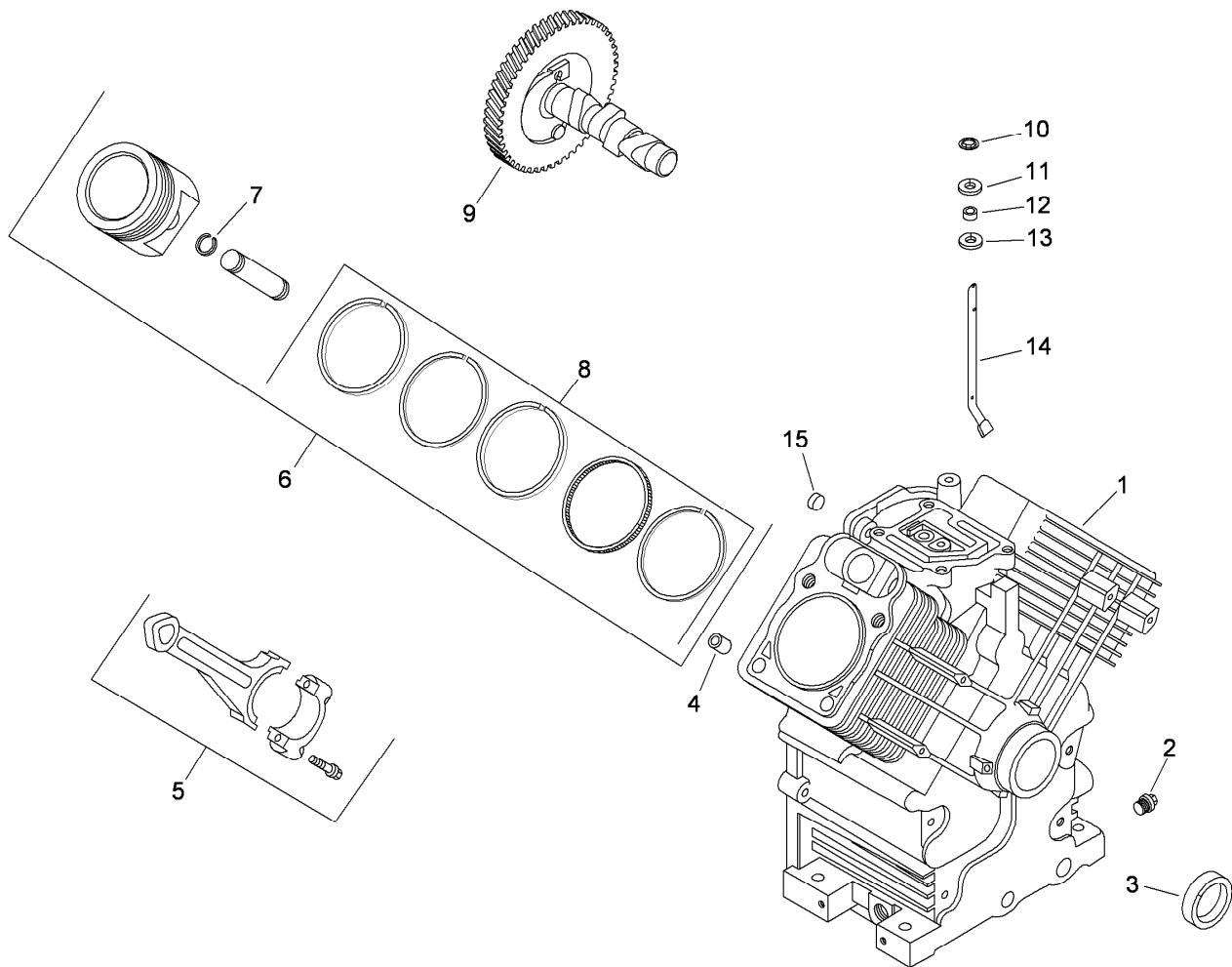
<i>Ref.</i>	<i>Part Number</i>	<i>Qty.</i>	<i>Description</i>	<i>Ref.</i>	<i>Part Number</i>	<i>Qty.</i>	<i>Description</i>
1	107-9277-03	1	Strap-Holddown, Battery	21	1-303287	5	Tie-Cable
2	105-1692	1	Battery	23	116-0050	1	Switch-Ignition
2:1	104-4163	1	Decal-Battery	24	112-8650	1	Hour Meter ASM
2:2	104-4164	1	Decal-Battery	25	116-0124	1	Switch-PTO, 10A
3	1-543792	2	Wingnut	27	114-4441	1	Harness-Electrical
4	1-633307	1	Wire-Ground	28	1-303335	2	Tie-Plastic
6	1-800282	1	Screw-HH	29	109-7630	1	Positive Battery Cable ASM
7	3256-2	2	Washer-Flat	29:1	109-2407	1	Insulator-Battery
8	3296-29	1	Nut-Lock, NI	29:2	1-543393	1	Insulator-Solenoid
9	1-523415	1	Spring-Switch, Seat	31	1-633651	2	Bolt-Holddown
10	1-522424-03	1	Mount-Spring, Seat	33	3296-2	1	Nut-Lock, NI
11	321-4	4	Screw-HH	34	1-643275	1	Relay
12	32128-33	4	Nut-HF	51	3217-6	1	Nut-Hex
13	63-8360	2	Key-Ignition	53	107-9309	1	Decal-Instructions, Charging
14	1-513152	1	Switch-Closed, Normally	54	109355	1	Fuse-15 Amp
15	1-513180	1	Plate-Switch, Seat	55	109103	1	Fuse-30 Amp
16	3290-500	9	Screw-PPH	56	109102	1	Fuse-25 Amp
17	1-633181	4	Plate-Tapped	57	218-578	1	Fuse-10 Amp
19	1-633111	1	Switch				
20	1-513051	2	Switch-Open, Normally				



Crankshaft Assembly Kohler CH740-3118

<i>Ref.</i>	<i>Part Number</i>	<i>Qty.</i>	<i>Description</i>
1	24 014 06-S	1	Crankshaft (Includes 2) ●
2	52 139 09-S	1	Plug-Cup ●

● Obtain parts from www.kohlerplus.com

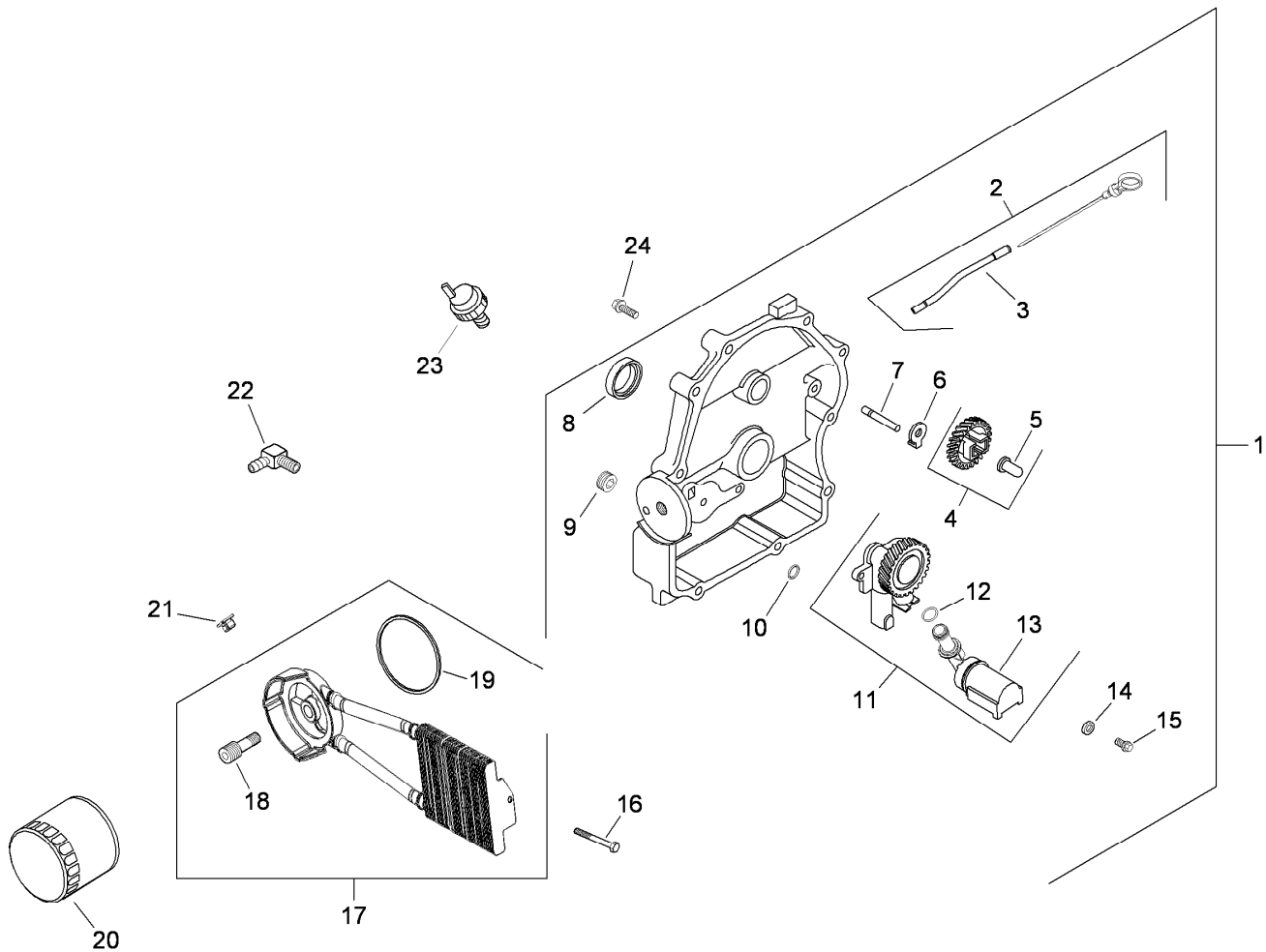


Crankcase Assembly Kohler CH740-3118

Ref.	Part Number	Qty.	Description
1	24 522 307	1	Ch740 Shortblock ■
2	25 139 57-S	2	Plug-Pipe, Sq HD (3/8) ■
3	24 032 19-S	1	Seal-Oil (Helix Lip) ■
4	24 380 16-S	6	Pin-Locating ■
5	24 067 24-S	2	Rod-Connecting (STD) ■
5	24 067 25-S	2	Rod-Connecting (.25) ■
6	25 874 01-S	2	Piston W/Ring Set (STD) (Includes 7, 8) ■
6	24 874 27-S	1	Piston W/Ring Set (.08) ■
6	24 874 28-S	1	Piston W/Ring Set (.25) ■
6	24 874 29-S	1	Piston W/Ring Set (.50) ■
7	24 018 01-S	4	Retainer-Pin, Piston ■
8	24 108 15-S	1	Piston Ring Set (.08) ■
9	24 012 18-S	1	Camshaft Kit ■
10	24 018 09-S	1	Retainer-Ring ■
11	M-931010-S	1	Washer-Flat (9Mm) ■
12	28 032 09-S	1	Seal-Cross Shaft, Governor ■
13	24 468 15-S	1	Washer-Flat (11/32) ■
14	24 144 38-S	1	Shaft-Cross, Governor ■
15	52 139 09-S	1	Plug-Cup ■
	24 755 158-S	1	Gasket Set ● ■

● Not illustrated

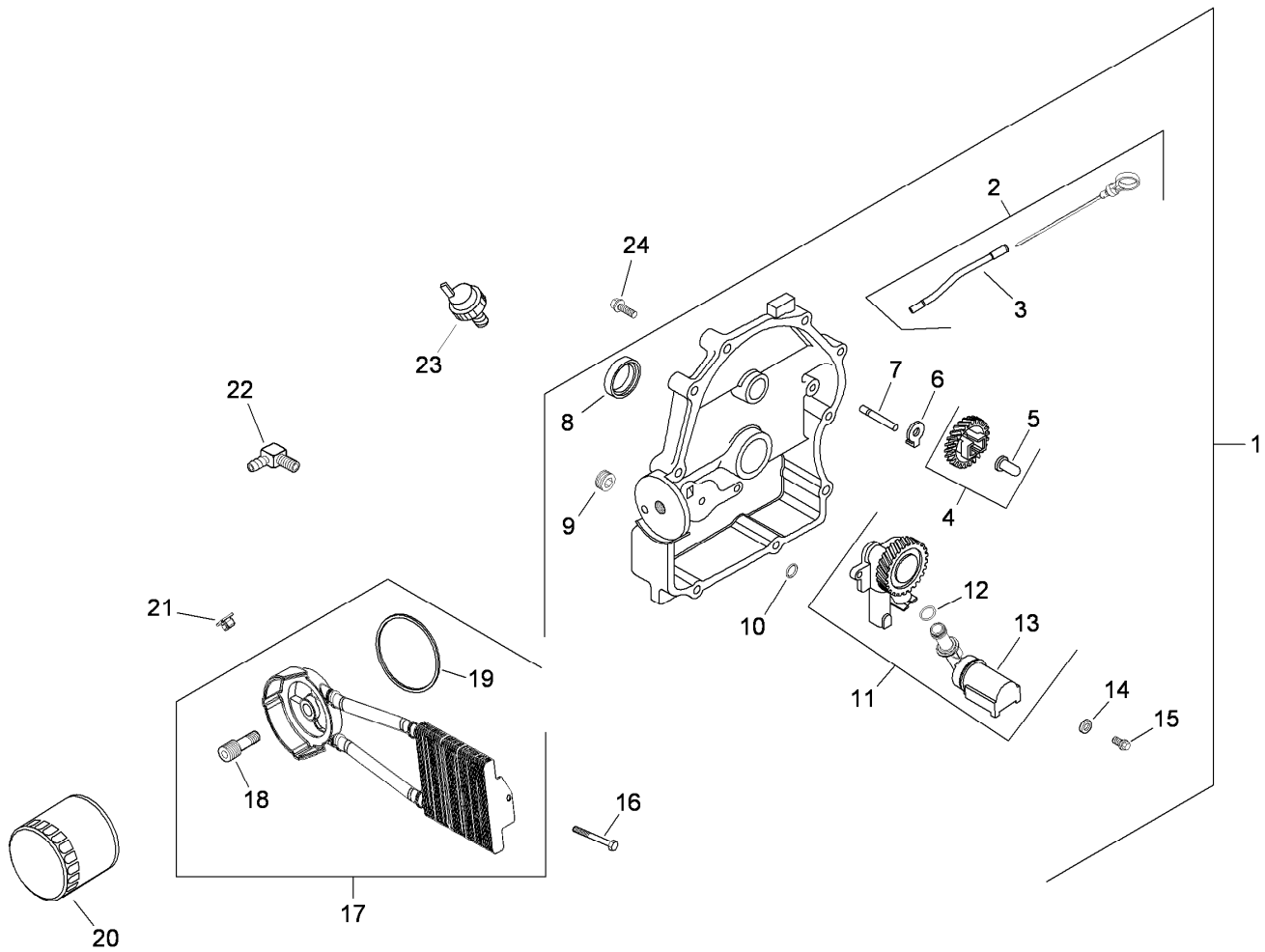
■ Obtain parts from www.kohlerplus.com



Oil Pan and Lubrication Assembly Kohler CH740-3118

Ref.	Part Number	Qty.	Description
1	24 009 167-S	1	Closure Plate And Bearing ASM (Includes 2-15) ●
2	24 755 121-S	1	Dipstick And Dipstick Tube ASM (Includes 3) ●
3	24 038 10-S	1	Dipstick ●
4	24 043 12-S	1	Governor Gear W/Pin Kit (Includes 5) ●
5	12 380 01-S	1	Pin-Regulating, Governor ●
6	24 448 02-S	1	Tab-Locking ●
7	12 144 02-S	1	Shaft-Gear, Governor ●
8	25 032 06-S	1	Seal-Oil ●
9	25 139 60-S	1	Plug-Pipe, Countersunk (1/8) ●
10	24 153 08-S	1	O-Ring ●
11	24 393 51-S	1	Oil Pump ASM (Includes 12, 13) ●
12	24 153 01-S	1	O-Ring ●
13	24 381 04-S	1	Tube-Pick Up, Oil ●
14	M-631005-S	2	Washer-Flat (6 Mm) ●
15	M-645025-S	2	Screw-Flange, Thread Forming (M6X1.0X25) ●
16	25 086 49-S	2	Screw-Tapping ●
17	54 755 21-S	1	Oil Cooler Kit (Metal) (Includes 18, 19) ●
18	24 136 05-S	1	Nipple-Filter, Oil ●
19	24 153 21-S	1	O-Ring ●
20	12 050 01-S	1	Filter-Oil ●
21	25 100 37-S	2	Nut-Plastic (Black) ●

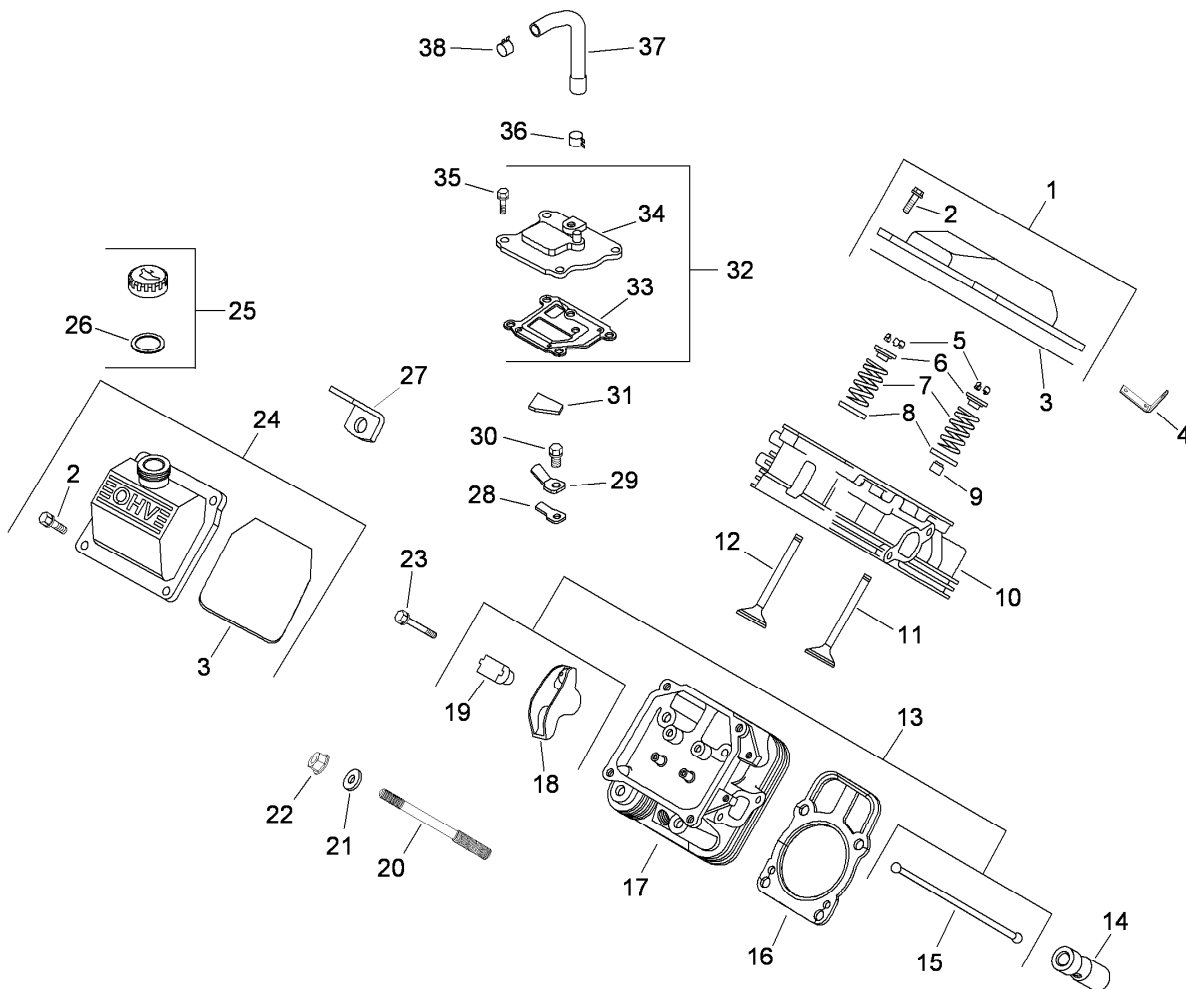
● Obtain parts from www.kohlerplus.com



Oil Pan and Lubrication Assembly Kohler CH740-3118 (continued)

Ref.	Part Number	Qty.	Description
22	25 155 02-S	1	Connector-Hose, 90 Deg ●
23	24 099 03-S	1	Switch-Pressure, Oil ●
24	24 086 17-S	10	Screw-Flange (M8X1.25X45) ●

● Obtain parts from www.kohlerplus.com

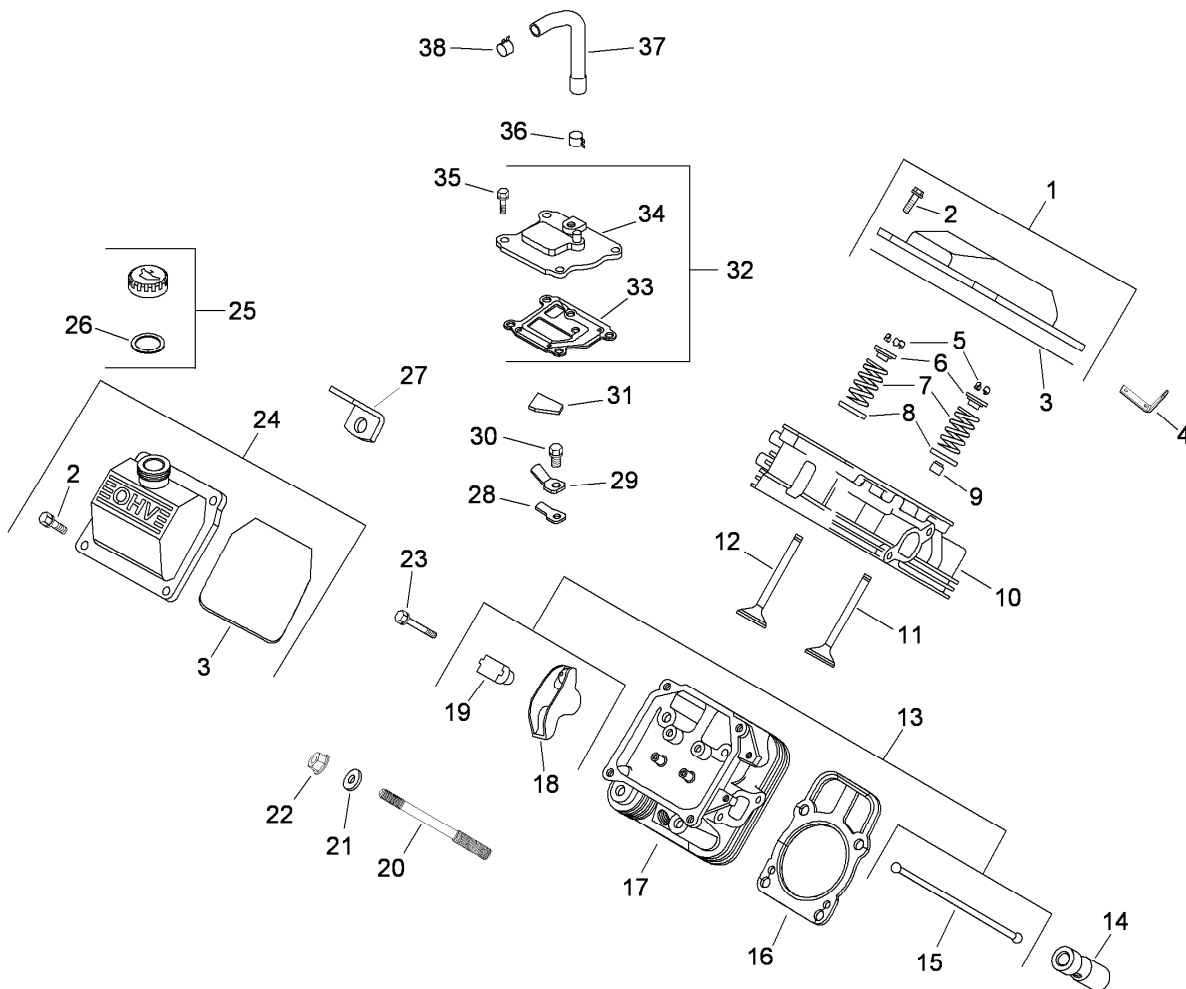


Head, Valve and Breather Assembly Kohler CH740-3118

Ref.	Part Number	Qty.	Description	Ref.	Part Number	Qty.	Description
1	24 755 141-S	1	Plain Rocker Cover Kit (Includes 2, 3) ■	17	24 318 114-S	1	Cylinder Head No.2 ASM (Includes 25 072 04-S) ■
2	M-651030-S	8	Screw-Flange (M6X1.0X30) ■	18	25 186 01-S	4	Arm-Rocker ■
3	24 153 30-S	2	O-Ring (Valve Cover) ■	19	24 599 02-S	4	Pivot-Arm, Rocker ■
4	25 445 01-S	1	Strap-Lifting ■	20	24 072 09-S	8	Stud (M8X1.25Xm10X1.5X105Mm) ■
5	12 755 03-S	4	Retainer Kit ■	21	24 468 16-S	8	Washer-Flat (8.6 Mm) ■
6	12 173 01-S	4	Cap-Spring, Valve ■	22	24 100 10-S	8	Nut-Flange (M8X1.25) ■
7	24 089 02-S	4	Spring-Valve ■	23	M-640034-S	4	Screw-Flange (M6X1.0X34) ■
8	235011-S	4	Retainer-Spring ■	24	24 755 140-S	1	Oil Fill Rocker Cover Kit (Includes 2, 3) ■
9	66 032 05-S	2	Seal-Stem, Valve ■	25	25 755 13-S	1	Oil Fill Cap ASM (Includes 26) ■
10	24 318 106-S	1	Cylinder Head No.1 ASM (Includes 25 072 04-S) ■	26	25 153 02-S	1	O-Ring (Dipstick) ■
11	24 017 01-S	2	Valve-Intake (STD) ■	27	25 445 02-S	1	Strap-Lifting ■
11	24 017 02-S	2	Valve-Intake (.25) ■	28	24 402 03-S	1	Reed-Breather ■
12	24 016 01-S	2	Valve-Exhaust (STD) ■	29	66 018 04-S	1	Retainer-Reed ■
12	24 016 02-S	2	Valve-Exhaust (.25) ■	30	M-545010-S	1	Screw-HHFTF (M5X.80X10) ■
13	24 755 66-S	1	Valve Train Kit (Includes 15, 18, 19) ■	31	24 050 11-S	1	Filter-Breather ■
14	25 351 04-S	4	Hydraulic Valve Lifter Kit (Includes 25 357 14-S) ■	32	24 033 01-S	1	Breather ASM (Includes 33, 34) ■
15	24 411 05-S	4	Rod-Push ■				
16	24 841 03-S	2	Cylinder Head Gasket Kit ■				

● Not illustrated

■ Obtain parts from www.kohlerplus.com

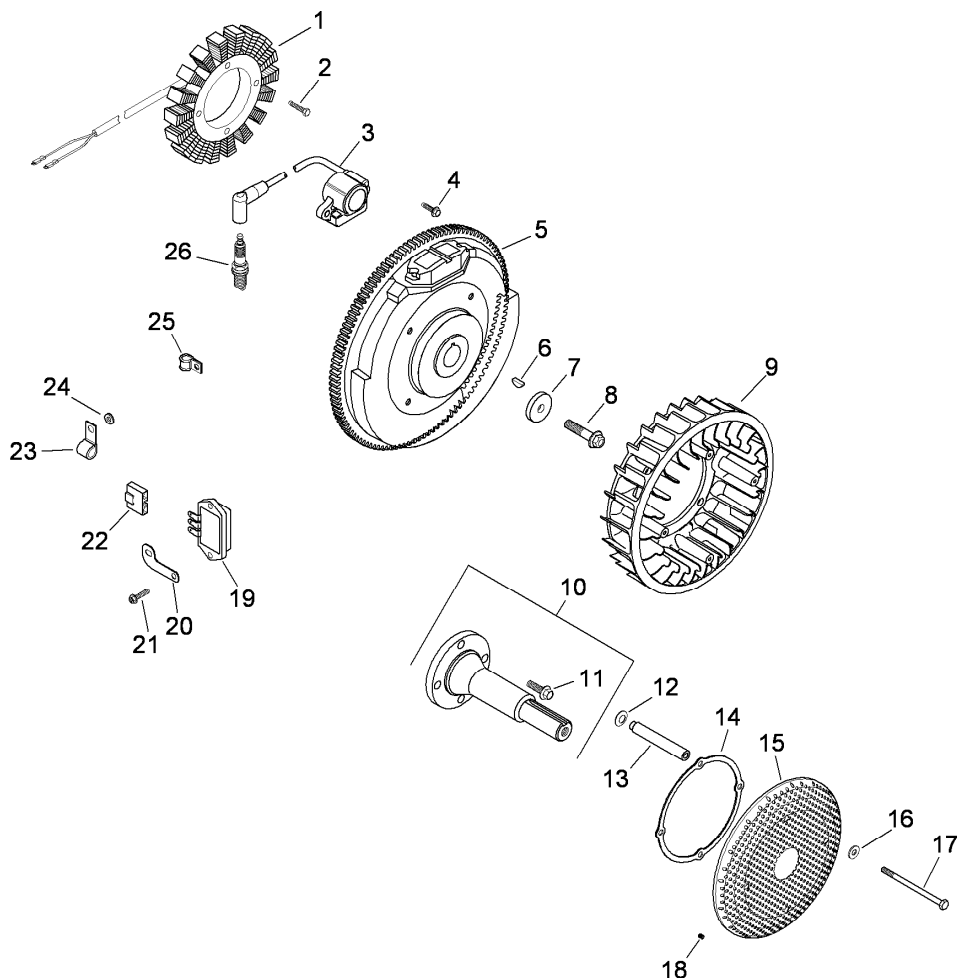


Head, Valve and Breather Assembly Kohler CH740-3118 (continued)

<i>Ref.</i>	<i>Part Number</i>	<i>Qty.</i>	<i>Description</i>	<i>Ref.</i>	<i>Part Number</i>	<i>Qty.</i>	<i>Description</i>
33	24 041 51-S	1	Gasket-Breather ■	24 755 147-S	2	Cylinder Head Hardware Kit (Services 1 Head-Qtys For Both Heads) (Includes 5-9, 11-12, 18-19, 23) ●■	
34	24 096 86-S	1	Cover-Breather ■	25 357 14-S	1	Lubricant-Camshaft ●■	
35	M-645020-S	4	Screw-HHFTF (M6X1.0X20) ■	25 072 04-S	2	Stud (M8X1.25X33) ●■	
36	25 237 08-S	1	Clamp-Hose ■				
37	24 326 96-S	1	Hose, Breather ■				
38	25 237 14-S	1	Clamp-Hose, Spring (1/2) ■				

● Not illustrated

■ Obtain parts from www.kohlerplus.com

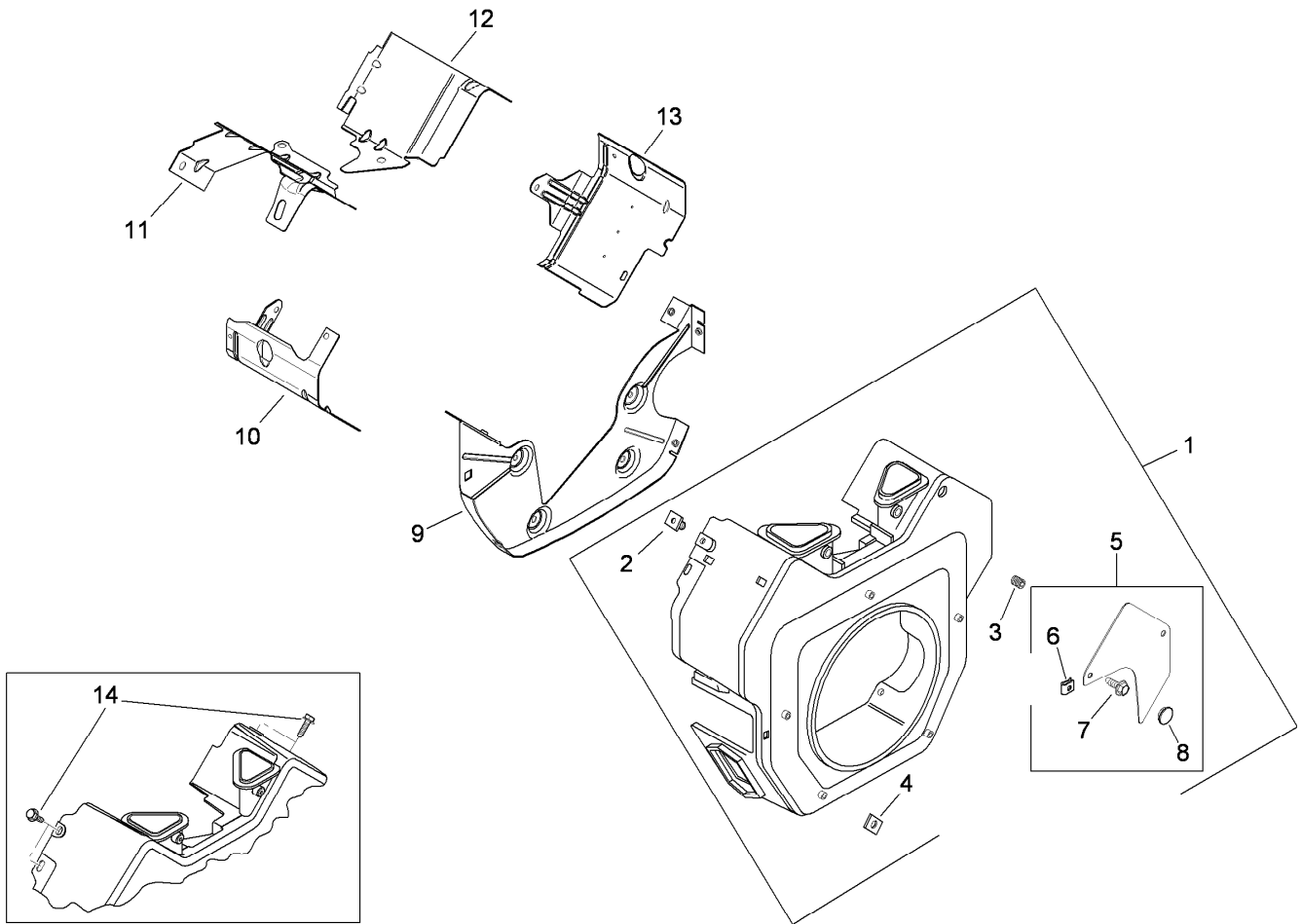


Ignition and Electrical Assembly Kohler CH740-3118

Ref.	Part Number	Qty.	Description	Ref.	Part Number	Qty.	Description
1	237878-S	1	15 Amp Stator Kit (Includes 25 452 01-S) ■	13	24 112 14-S	4	Spacer ■
2	M-548025-S	2	Screw-Thread Forming (M5X0.8X25) ■	14	24 141 06-S	1	Ring-Support ■
3	24 584 52-S	2	Module Spark Adv (D S A I) ASM ■	15	24 162 38-S	1	Screen-Grass ■
4	M-545020-S	4	Screw-Flange, Thread Forming (M5X.8X20) ■	16	X-25-53-S	4	Washer-Flat (1/4) ■
5	24 025 58-S	1	Flywheel ASM (L W) ■	17	M-603100-S	4	Screw-HH (M6X1.0X100) ■
6	X-42-15-S	1	Key (3/16 X 5/8) ■	18	25 086 43-S	1	Screw-Set (No.10-24X1/5) ■
7	12 468 03-S	1	Washer-Flat (13/32) ■	19	41 403 09-S	1	Rectifier-Regulator ■
8	12 086 14-S	1	Screw-Flange (M10X1.5X45) ■	20	24 126 137-S	1	Bracket-Strap, Ground ■
9	24 157 11-S	1	Fan ■	21	25 086 157-S	2	Screw-Hex Flange, Hi-Lo ■
10	24 755 08-S	1	Front Drive Shaft (Includes 11) ■	22	236602-S	1	Connector (3 Contact) ■
11	M-839025-S	4	Screw-HF (M8X1.25X25) ■	23	235173-S	1	Clip-Cable ■
12	24 468 11-S	4	Washer-Spring (10Mm) ■	24	X-25-63-S	1	Washer-Flat (1/4) ■
				25	210281-S	1	Clip ■
				26	12 132 02-S	2	Spark Plug ■
					24 176 98-S	1	Wiring Harness ASM ●■
					25 454 07-S	2	Tie-Wire ●■
					24 176 132-S	1	Harness-Wiring, D S A I ●■

● Not illustrated

■ Obtain parts from www.kohlerplus.com

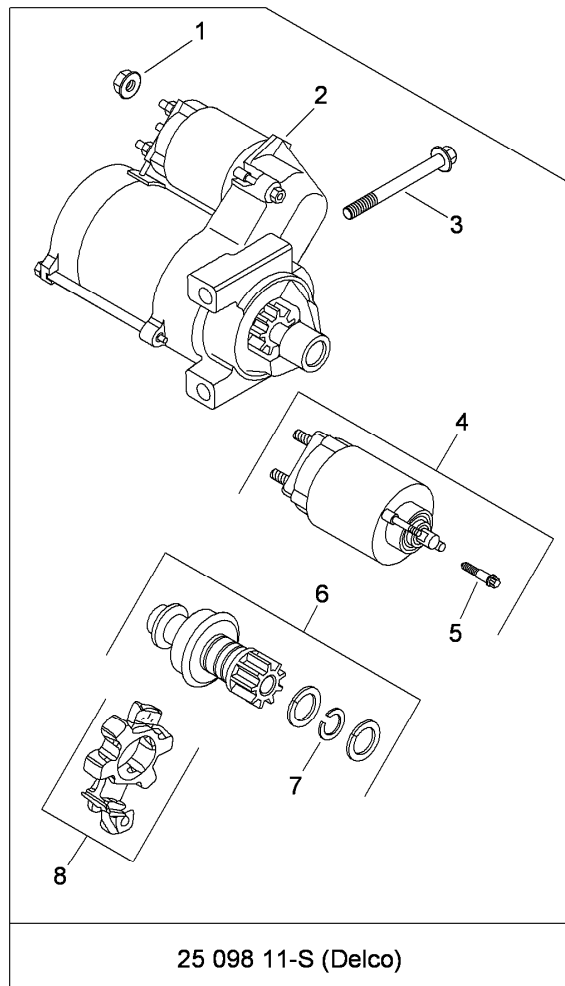


Blower Housing and Baffle Assembly Kohler CH740-3118

Ref.	Part Number	Qty.	Description
1	24 027 201-S	1	Housing-Blower (Includes 2-8) ■
2	24 100 02-S	2	Nut-Plastic ■
3	25 086 43-S	1	Screw-Set (10-24X.25) ■
4	25 100 37-S	1	Nut-Plastic (Black) ■
5	25 755 20-S	2	Access Cover Kit (Includes 6-8) ■
6	25 154 02-S	4	Clip-Mounting ■
7	M-645016-S	4	Screw-Flange, Thread Forming (M6X1.0X16) ■
8	25 139 16-S	1	Plug-Button (9/16) ■
9	24 146 55-S	1	Plate-Backing ■
10	24 063 88-S	1	Baffle-Barrel, Cylinder (No. 2 Side) ■
11	32 063 02-S	1	Baffle-Valley (No.2 Side) ■
12	32 063 03-S	1	Baffle-Valley (No.1 Side) ■
13	24 063 58-S	1	Baffle-Barrel, Cylinder (No. 1 Side) ■
14	M-645016-S	4	Screw-Flange, Thread Forming (M6X1.0X16) ■
	M-561016-S	1	Screw-Flange, Thread Forming (M5X.80X16) ● ■
	M-545016-S	2	Screw-Flange, Thread Forming (M5X0.8X16) ● ■
	M-545020-S	4	Screw-Flange, Thread Forming (M5X.8X20) ● ■
	M-545010-S	2	Screw-HHFTF (M5X.80X10) ● ■
	41 037 10-S	1	Nameplate-Service ● ■

● Not illustrated

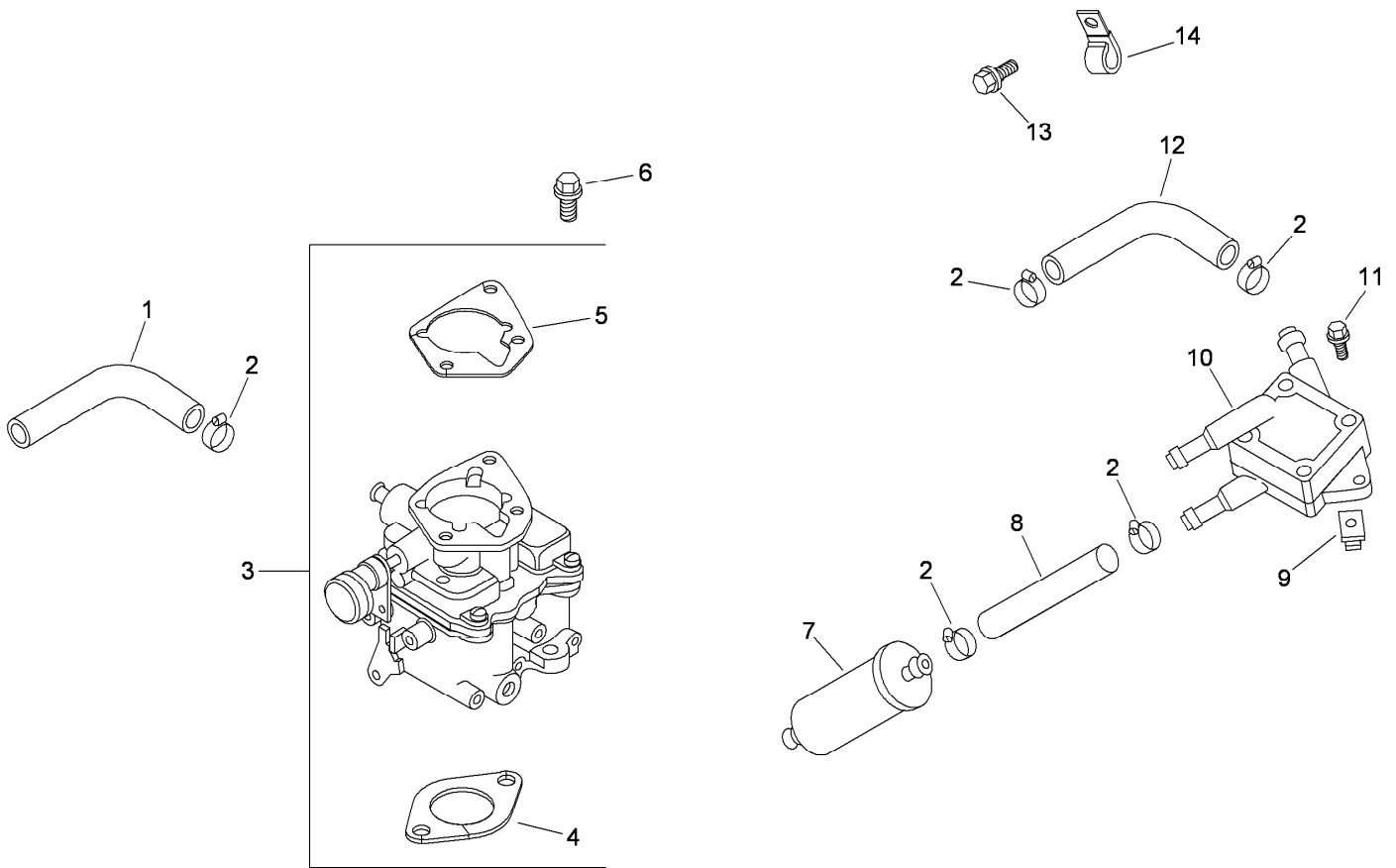
■ Obtain parts from www.kohlerplus.com



Starting System Assembly Kohler CH740-3118

Ref.	Part Number	Qty.	Description
1	M-841080-S	1	Nut-Flange (M8X1.25) ●
2	25 098 11-S	1	Starter ASM (Solenoid Shift) ●
3	M-851080-S	2	Screw-Flange (M8X1.25X80) ●
4	25 435 06-S	1	Solenoid Kit (Includes 5) ●
5	25 086 113-S	3	Screw-Torx Head, External ●
6	25 755 33-S	1	Starter Pinion Kit (Includes 7) ●
7	25 141 05-S	1	Ring-Retaining ●
8	25 221 01-S	1	Brush Holder Kit ●

● Obtain parts from www.kohlerplus.com

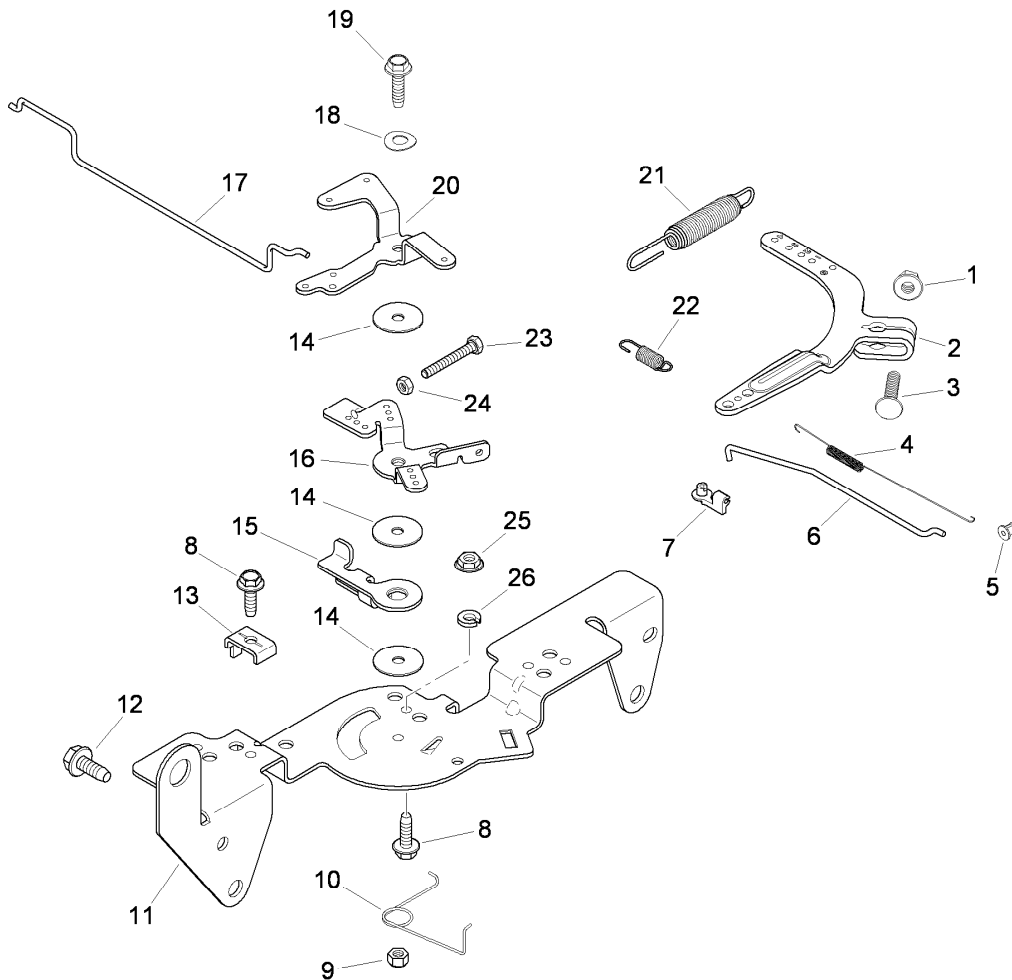


Fuel System Assembly Kohler CH740-3118

Ref.	Part Number	Qty.	Description
1	25 111 36-S	1	Hose-Fuel, Low-Permeation ■
2	25 237 14-S	5	Clamp-Hose, Spring (1/2) ■
3	24 853 93-S	1	Carburetor Kit (Includes 4, 5) ■
4	24 041 17-S	1	Gasket-Carburetor ■
5	24 041 06-S	1	Gasket-Base, Air Cleaner ■
6	M-651030-S	2	Screw-Flange (M6X1.0X30) ■
7	24 050 13-S	1	Filter-Fuel ■
8	25 111 34-S	1	Line-Fuel (24.0 Cut To Length) ■
9	24 100 01-S	2	Nut-Plastic ■
10	24 393 16-S	1	Pump-Fuel ■
11	24 086 12-S	2	Screw-TAP (M6X1.7X18) ■
12	24 353 02-S	1	Line-Fuel, Flexible (15.5) ■
13	25 086 158-S	1	Screw-Flanged, Thread Forming (M6X1.0X11) ■
14	47 154 01-S	1	Clip-Cable ■
	24 755 137-S	1	High Altitude Kit (10,000+ Ft) ●■
	24 755 138-S	1	High Altitude Kit (5-10,000 Ft) ●■
	24 757 01-S	1	Solenoid Repair Kit ●■
	24 757 02-S	1	Float Repair Kit ●■
	24 757 03-S	1	Carburetor Repair Kit ●■
	24 757 07-S	1	Choke Repair Kit ●■
	24 757 08-S	1	Accelerator Pump Repair Kit ●■
	24 757 09-S	1	Accelerator Pump Seal Repair Kit ●■

● Not illustrated

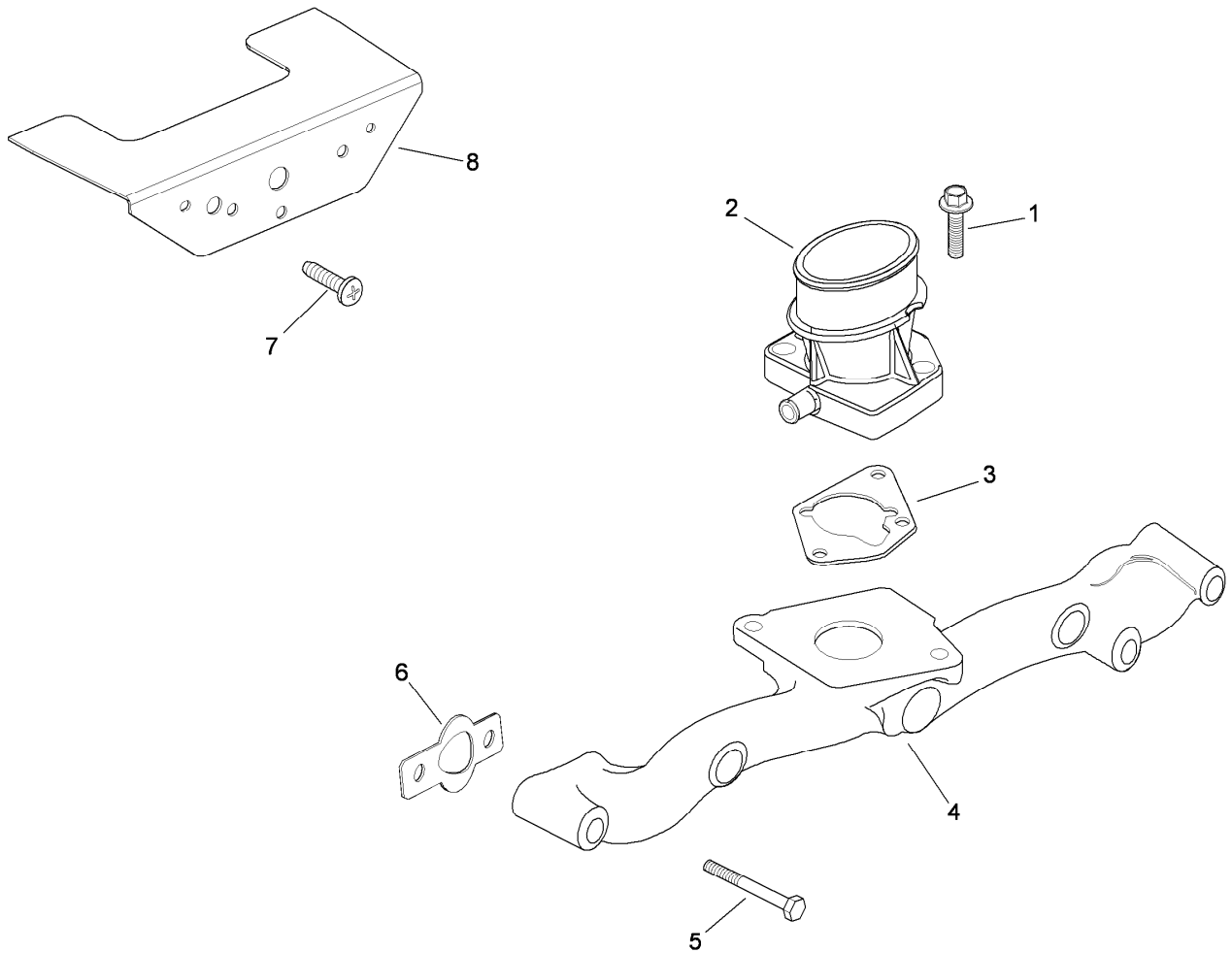
■ Obtain parts from www.kohlerplus.com



Engine Control Assembly Kohler CH740-3118

Ref.	Part Number	Qty.	Description	Ref.	Part Number	Qty.	Description
1	M-641060-S	1	Nut-Flange (M6X1.0) ●	13	12 237 01-S	2	Clamp-Cable ●
2	24 090 51-S	1	Lever-Governor ●	14	24 468 01-S	3	Washer-Flat (5.5Mm) ●
3	24 211 03-S	1	Bolt-Sq Neck, Rd HD (M6X1.0X25) ●	15	24 090 07-S	1	Lever-Actuator, Throttle ●
4	24 089 01-S	1	Spring-Linkage ●	16	24 090 03-S	1	Lever-Control, Throttle ●
5	25 158 08-S	1	Bushing-Linkage, Throttle ●	17	24 079 21-S	1	Linkage-Choke ●
6	24 079 01-S	1	Linkage-Throttle ●	18	41 468 03-S	1	Washer-Spring (1/4) ●
7	25 158 11-S	1	Bushing-Retaining, Linkage ●	19	M-545020-S	1	Screw-Flange, Thread Forming (M5X.8X20) ●
8	M-545016-S	3	Screw-Flange, Thread Forming (M5X0.8X16) ●	20	24 090 05-S	1	Lever-Choke ●
9	M-547050-S	1	Nut-Lock (M5X.8) ●	21	24 089 46-S	1	Spring-Governor ●
10	24 089 03-S	1	Spring-Return, Choke ●	22	24 089 51-S	1	Spring-Limiter, Throttle ●
11	24 126 176-S	1	Bracket, Control ●	23	M-401030-S	1	Screw (M4X0.7X30) ●
12	M-645016-S	4	Screw-Flange, Thread Forming (M6X1.0X16) ●	24	M-446030-S	1	Nut (M4X0.7) ●
				25	M-541050-S	1	Nut-HF (M5X0.8) ●
				26	X-20-1-S	1	Washer-Lock (.25) ●

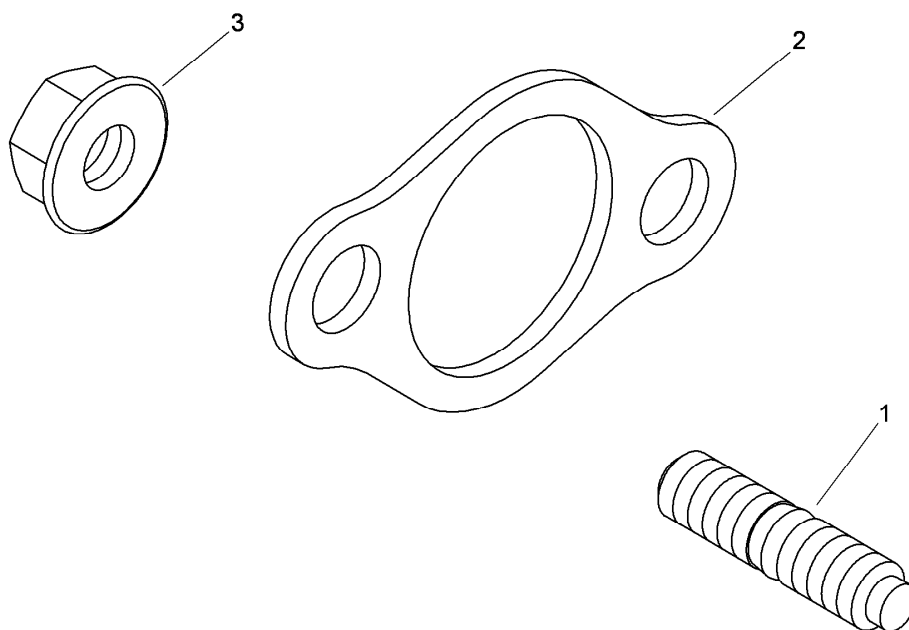
● Obtain parts from www.kohlerplus.com



Air Intake and Filtration Assembly Kohler CH740-3118

Ref.	Part Number	Qty.	Description
1	25 086 124-S	2	Screw-Flange (M6X1.0X25) ●
2	24 029 61-S	1	Adapter-Air Cleaner, Remote ●
3	24 041 06-S	1	Gasket-Base, Air Cleaner ●
4	24 164 14-S	1	Manifold-Intake ●
5	25 086 84-S	4	Screw-HF (M6X1.0X55) ●
6	24 041 01-S	2	Gasket-Manifold, Intake ●
7	24 086 06-S	2	Screw-PPH (11-16X3/4) ●
8	24 314 25-S	1	Shield-Debris ●

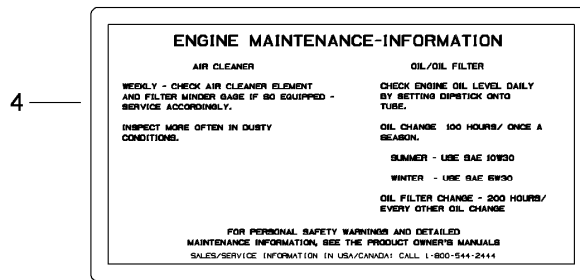
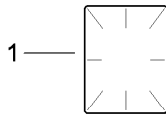
● Obtain parts from www.kohlerplus.com



Exhaust Assembly Kohler CH740-3118

<i>Ref.</i>	<i>Part Number</i>	<i>Qty.</i>	<i>Description</i>
1	25 072 14-S	4	Stud (M8X1.25X33) ●
2	24 041 49-S	2	Gasket-Exhaust ●
3	M-841080-S	4	Nut-Flange (M8X1.25) ●

● Obtain parts from www.kohlerplus.com



Artwork is representative
Actual labels may differ depending on model and specification number

Decals Kohler CH740-3118

<i>Ref.</i>	<i>Part Number</i>	<i>Qty.</i>	<i>Description</i>
1	25 113 39-S	1	Decal-Laminate, Clear ●
2	24 113 132-S	1	Decal-27 H P ●
3	24 113 25-S	1	Decal-Cooler, Oil ●
4	25 113 27-S	1	Decal-Cleaner, Air ●

● Obtain parts from www.kohlerplus.com

Attachments and Accessories

For 74292 Z500 Z Master, With 60in 7-Gauge Side Discharge Mower

Product Name	Model/Part
Winter Hydraulic Filter	1-633752
Z Stand Kit	105-1622
1.25 Inch Spark Arrester Kit	105-1672
Blade-Mid Flow, 20.5 inch	105-7715-03
Blade-Lo Flow, 20.5 inch	105-7716-03
Blade-Hi Flow, 20.5 inch	105-7718-03
Blade-Recycler, 20.5 inch	105-7777-03
Blade-Atomic, 20.5 inch	105-8777-03
Recycler Kit	107-1611
Turbo Baffle Kit	107-1634
Suspension Kit for Standard Seat	107-1892
Light Kit	107-9880
6 Pack Blade, 20.5 inch Hi-Flow	108-1114
6 Pack-Blade, 20.5 inch Atomic	108-1115
6 Pack Blade, 20.5 inch Mid-Flow	108-1123
6 Pack-Blade, 20.5 inch Lo Flow	108-1128
6 Pack-Blade, 20.5 inch Recycler	110-0405
Cool Top ROPS Mounted Fan	110-1996
Castor Wheel Assembly (Semi Pneumatic)	110-5746
Deck Lift Assist Kit	110-5761
Bimini Folding Shade Assembly	115-4510
Chute Gate Kit	78521
Deluxe Suspension Seat Kit	78530
Triple Bag Assembly	78534
Blower and Drive Kit	78538
DFS E-Z Vac Bagger	78544
Filter Minder Gauge	99-4664
Hitch Kit	99-8925

Notes:



Count on it.