



**Count on it.**

**Parts Catalog**

**8-Blade DPA Reel Mower**

**Greensmaster® 3000 Series**

**Model No. 04610—Serial No. 31000001 and Up**

# Ordering Replacement Parts

To order replacement parts, please supply the part number, the quantity, and the description of each part desired.

## Understanding Reference Numbers

Each identified part in an illustration has a reference number. The reference number for a part also appears in the parts list, along with other information about the part.

This catalog uses two special reference number formats, one to indicate parts in a service assembly and another to indicate the quantity of a given part in an illustration.

## Service Assembly Reference Numbers

Parts in service assemblies have reference numbers in the form a:b. The a represents the reference number of the entire service assembly and the b represents a sequential number unique to each part within the service assembly.

For example, a wheel assembly might be identified by reference number 6, the tire by 6:1, the valve by 6:2, and the wheel by 6:3. When you order the assembly identified by reference number 6, you receive all parts identified by reference numbers 6:1, 6:2, and 6:3. However, you may also order any part individually. Reference numbers of this type appear in illustration and in parts lists.

## Reference Numbers Indicating Quantity

In an illustration, if a reference number indicates more than one part, the reference number has the form nX y. The n represents the quantity of the part, the X is the multiplication symbol, and the y represents the reference number.

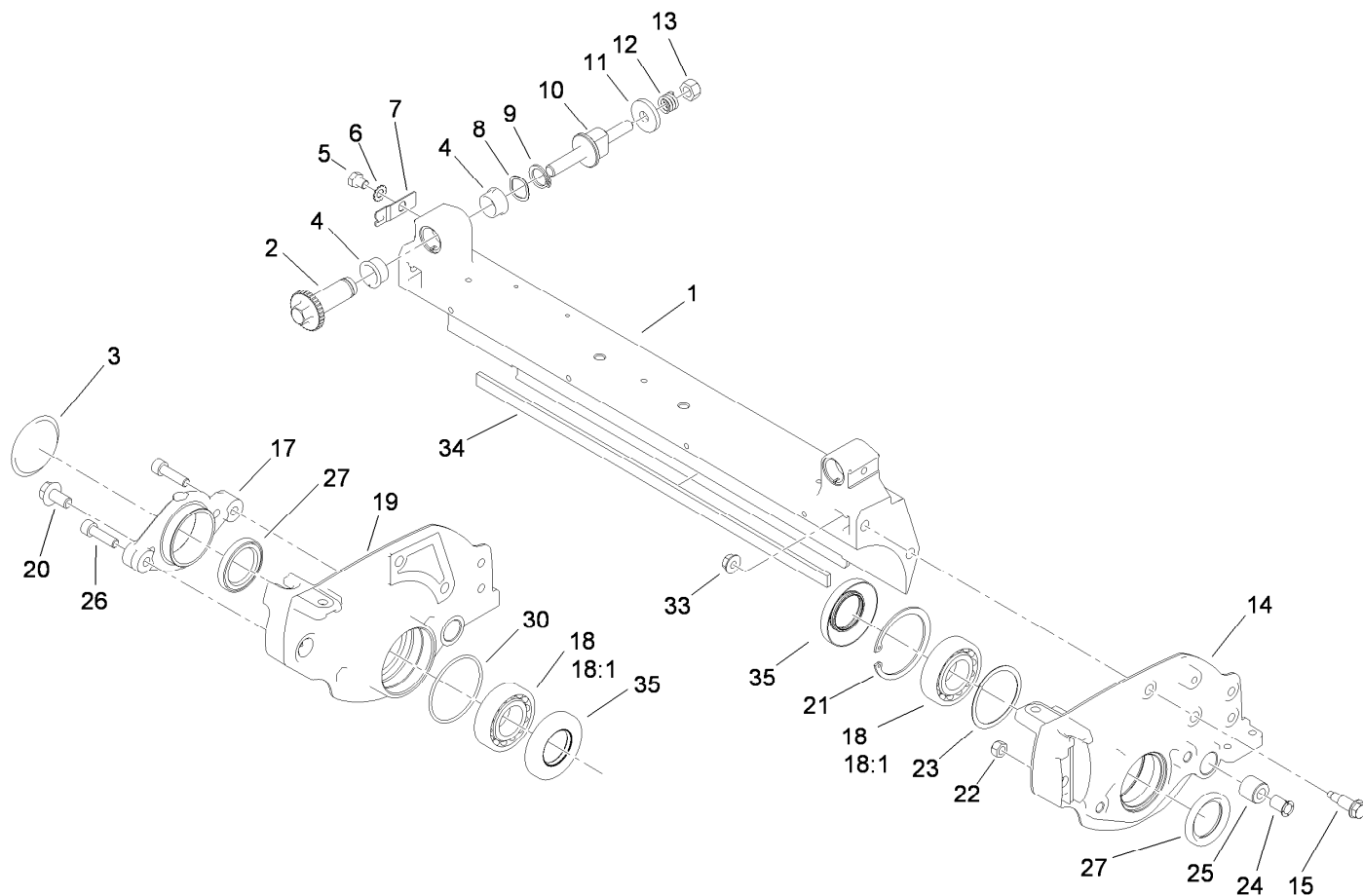
For example, in an illustration, the reference number 2X 37 means that two of the parts identified by reference number 37 are indicated.

# List of Abbreviations

<b>AR:</b> as required	<b>HLH:</b> hex lag head	<b>RH:</b> right hand
<b>ASM:</b> assembly	<b>HOC:</b> height-of-cut	<b>ROPS:</b> roll-over protection system
<b>BBC:</b> blade brake control	<b>HSBH:</b> hex socket button head	<b>RRB:</b> rear roller brush
<b>BHTF:</b> button head thread forming	<b>HSFH:</b> hex socket flat head	<b>SFH:</b> slotted fillister head
<b>CARR:</b> carriage	<b>HSH:</b> hex socket head	<b>SHH:</b> slotted hex head
<b>CCW:</b> counter clockwise	<b>HWH:</b> hex washer head	<b>SHWH:</b> slotted hex washer head
<b>CW:</b> clockwise	<b>HWHTF:</b> hex washer head thread forming	<b>SPH:</b> slotted pan head
<b>DEG:</b> degrees	<b>HYD:</b> hydraulic	<b>SQH:</b> square head
<b>ECM:</b> electronic control module	<b>LH:</b> left hand	<b>SRH:</b> slotted round head
<b>EXT:</b> external	<b>NI:</b> nylon insert	<b>STD:</b> standard
<b>FH:</b> flat head	<b>NPTF:</b> national pipe thread fine	<b>TAP:</b> self tapping
<b>GA:</b> gauge	<b>PFH:</b> phillips flat head	<b>TTH:</b> torx truss head
<b>HD:</b> heavy-duty	<b>PPH:</b> phillips pan head	
<b>HF:</b> hex flange	<b>PPHTF:</b> phillips pan head thread forming	
<b>HH:</b> hex head	<b>PRH:</b> phillips round head	
<b>HHF:</b> hex head flange	<b>PTH:</b> phillips truss head	
<b>HHFTF:</b> hex head flange thread forming	<b>PTO:</b> power-take-off	
<b>HJ:</b> hex jam		

# Contents

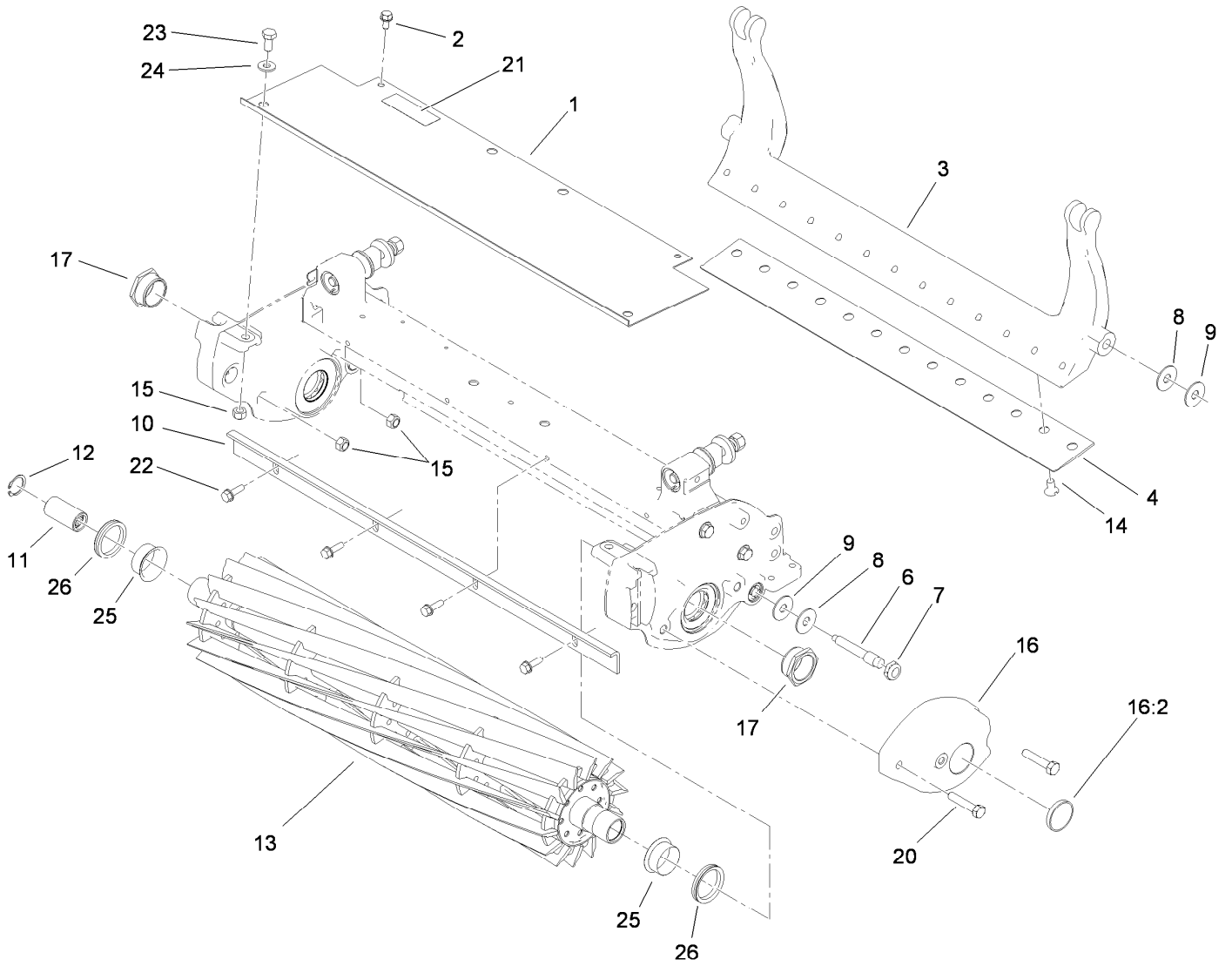
- Frame Assembly..... 4
- Bedbar and Reel Assembly ..... 5
- Rear Roller Assembly ..... 6
- Roller Seal Rebuild Kit Assembly No. 107-1594 ..... 7
- Attachments and Accessories ..... 8



## Frame Assembly

Ref.	Part Number	Qty.	Description	Ref.	Part Number	Qty.	Description
1	105-5799	1	Frame	18		2	Bearing-Packed, Grease ●
2	106-5363	2	Shaft-Adjuster	18:1	93-2489	1	Bearing
3	2410-30	1	Cap-Plastic	19	105-5797	1	Plate-Side, RH
4	106-5344	4	Bushing-Flange, Keyed	20	106-2633	2	Screw-HHF
5	33114-010	2	Screw-HH	21	106-6914	1	Ring-Snap, Internal
6	3255-8	2	Washer-Lock	22	33024-00	2	Nut-Lock
7	99-2097	2	Detent	23	105-5700	1	Washer-Wave
8	106-5335	2	Washer-Wave	24	52-2890	2	Bushing-Nylon
9	32120-93	2	Ring-Retaining	25	63-9510	2	Bushing
10	99-2096	2	Screw-Adjuster, Bedbar	26	94-3559	2	Screw-HSH
11	99-2098	2	Washer	27	253-134	2	Seal-Grease
12	99-3755	2	Spring-Compression	30	106-2607	1	O-Ring
13	33025-00	2	Nut-Lock	33	98-0668	4	Nut
14	105-5795	1	Plate-Side, LH	34	106-2619	1	Strip-Seal
15	105-5774	4	Bolt-Shoulder	35	106-6926	2	Seal-Grease
17	104-9447	1	Adapter-Motor				

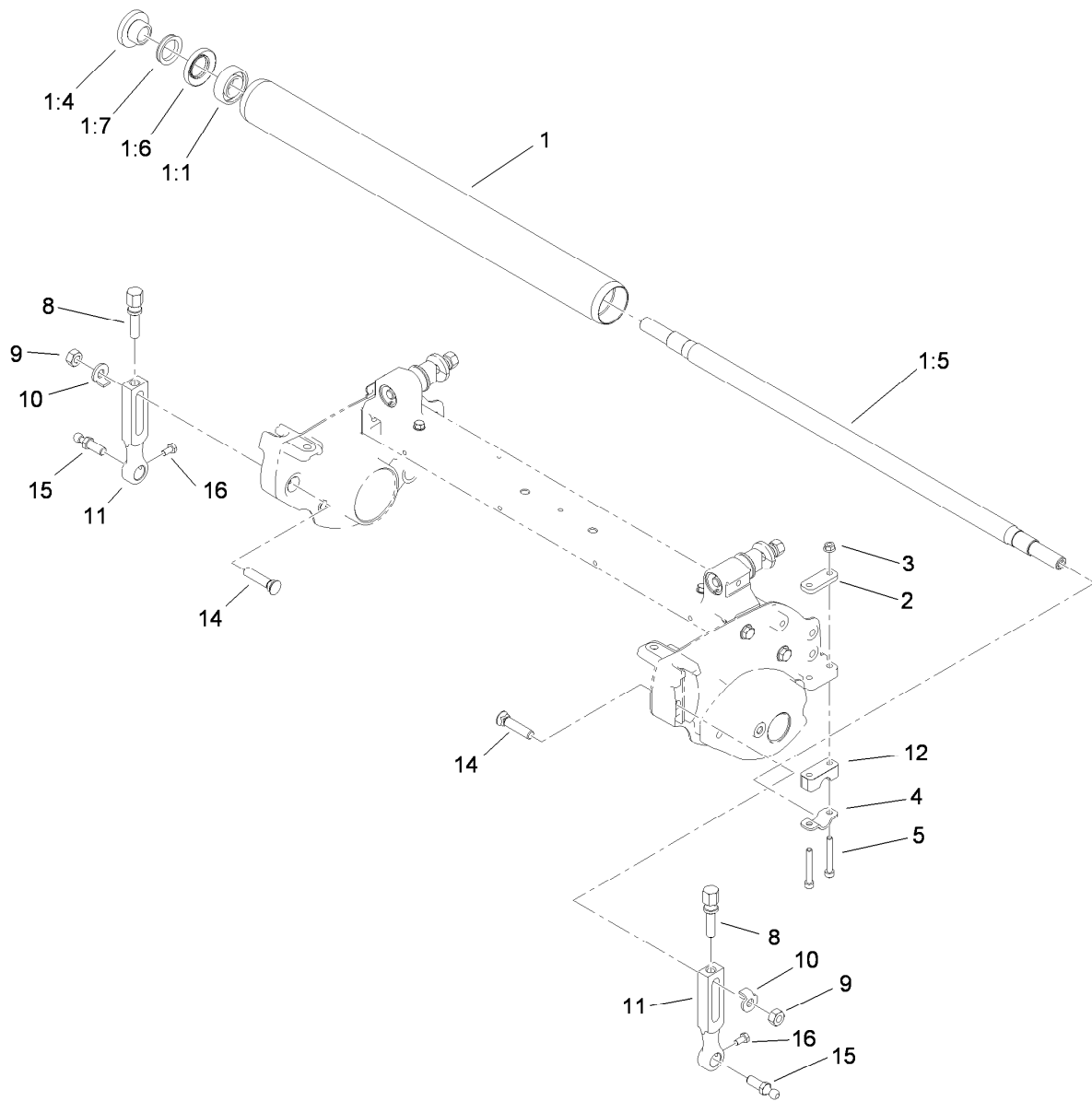
● Not serviced separately



## Bedbar and Reel Assembly

Ref.	Part Number	Qty.	Description	Ref.	Part Number	Qty.	Description
1	106-2600-01	1	Shield-Grass	11	94-4507	1	Coupler-Splined
2	104-2628	2	Screw-HWH	12	105-5775	1	Ring-Retaining
3	106-2648-01	1	Bedbar	13	105-5793	1	8 Blade Reel ASM
4	63-8600	1	Bedknife-Fairway ●	14	57-4910	13	Screw-Special
4	93-4262	1	Bedknife-Microcut (Greens)	15	33024-00	4	Nut-Lock
4	93-4263	1	Bedknife-Tournament Cut (Greens)	16	105-5709	1	Weight ASM
4	93-4264	1	Bedknife-Low Cut (Greens)	16:2	105-5708	1	Plug-Expansion
4	94-6392	1	Bedknife-Highcut (Greens)	17	105-5706	2	Nut-Lock, Bearing
6	117-9493	2	Bolt-Bedbar	20	33114-040	2	Screw-HH
7	3296-28	2	Nut-Lock, NI	21	117-9526	1	Decal-Regulatory, Dpa
8	52-2860	4	Washer	22	110-3986	4	Screw
9	52-2900	4	Washer-Plastic	23	33114-016	2	Screw-HH
10	106-6924-03	1	Bar-Cutoff	24	3256-2	2	Washer-Flat
				25	106-6927	2	Sleeve
				26	106-6929	2	V-Ring

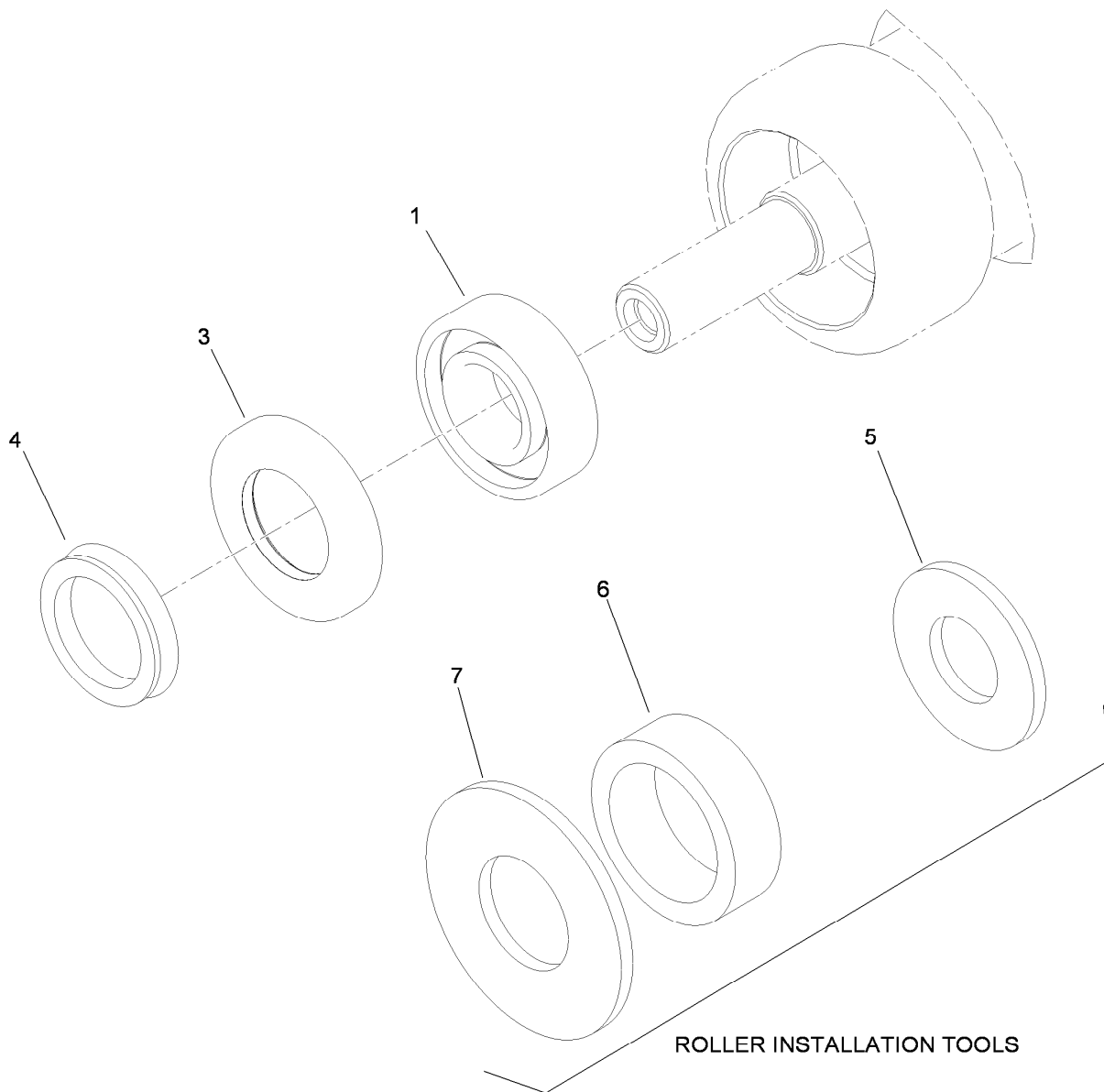
● Optional Equipment



## Rear Roller Assembly

Ref.	Part Number	Qty.	Description
1	106-6945	1	21 Inch Full Roller ASM
1:1	251-347	2	Bearing-Ball
1:4	108-3151	2	Nut-Lock, Bearing
1:5	106-6940	1	Shaft-Roller
1:6	106-6941	2	Seal
1:7	106-6942	2	V-Ring
2	105-5711	2	Shim-Roller
3	33003-00	4	Nut-HF
4	105-5712	2	Retainer-Shaft

Ref.	Part Number	Qty.	Description
5	106-2603	4	Screw-HSH
8	110-7352	2	Screw-HOC
9	106-4668	2	Nut-Lock
10	104-2603	2	Washer-HOC
11	110-7351	2	Arm-HOC
12	105-5710	2	Spacer-Roller
14	105-5342	2	Bolt-Plow
15	94-2958	2	Stud-Ball
16	33113-012	2	Screw-HH



## Roller Seal Rebuild Kit Assembly No. 107-1594

<i>Ref.</i>	<i>Part Number</i>	<i>Qty.</i>	<i>Description</i>
1	251-347	2	Bearing-Ball
3	106-6941	2	Seal
4	106-6942	2	V-Ring
5	107-8133	2	Washer-Flat
6	107-3505	2	Spacer-Tool, Roller
7	104-6126	2	Washer-Flat

# Attachments and Accessories

## For 04610 8-Blade DPA Reel Mower, Greensmaster 3000 Series

<b>Product Name</b>	<b>Model/Part</b>
Full Roller Kit .....	04625
Narrow Wiehle Roller Kit.....	04626
Wide Wiehle Roller Kit.....	04627
Steel Roller Kit.....	04628
Dampening Roller Kit.....	04629
DPA Reel Mower Groomer, Greensmaster 3050/3100/3150 Traction Unit.....	04634
DPA Reel Mower Groomer, Greensmaster 3250-D Traction Unit.....	04635
DPA Reel Mower Rear Roller Brush .....	04640
DPA Reel Mower Rear Roller Brush, Greensmaster 3250-D Traction Unit.....	04641
DPA Reel Mower Rear Roller Scraper Kit.....	04646
Heavy Duty 5 Blade Reel ASM .....	106-2626
High Height-of-Cut Kit.....	106-4699
Shim .....	106-6923
Replacement Seal Kit .....	106-6937
Extended Grass Shield ASM .....	107-3503-01
Wiehle DPA Steel Roller ASM.....	107-3510
Heavy Duty 8 Blade Reel ASM .....	107-9522
Roller Scraper Kit.....	107-9561
Extended Tournament Bed Knife .....	108-4302
Bedknife-Microcut, Extended.....	108-4303
Front Scraper Kit for Narrow Wiehle Roller .....	108-6468
Front Scraper Kit for Wide Wiehle Roller.....	110-3961
Front Scraper Kit for Full Roller.....	110-3962
Front Brush Kit for Narrow Wiehle Roller .....	110-3963
Front Brush Kit for Wide Wiehle Roller.....	110-3964
Front Brush Kit for Full Roller .....	110-3965
Front Comb Kit for Narrow Wiehle Roller .....	110-3966
Front Comb Kit for Wide Wiehle Roller.....	110-3967
Front Comb Kit for Full Roller.....	110-3968
Bedknife-Edgemax (21" Fairway) .....	112-7475
Rear Roller Extension Kit.....	112-9294
Rear Roller Scraper Kit.....	112-9353
Rear Roller Adjustment Kit.....	114-4630
Rear Roller Brush Service Kit .....	114-4631
Bedknife-Edgemax, Microcut.....	115-1880
Bedknife-Edgemax, Tournament Cut.....	115-1881
Bedknife-Fairway.....	63-8600
Wiehle Roller ASM (Cast Iron).....	71-1550
Bedknife-Microcut.....	93-4262
Bedknife-Tournament Cut.....	93-4263
Bedknife-Low Cut .....	93-4264
Bedknife-Highcut .....	94-6392
Bedbar-Aggressive.....	99-3794-03

**Notes:**

**Notes:**

**Notes:**



**Count on it.**