



**Count on it.**

**Parts Catalog**

**55cm Recycler<sup>®</sup> Lawn Mower**

Model No. 20655—Serial No. 290000001 and Up

# Ordering Replacement Parts

To order replacement parts, please supply the part number, the quantity, and the description of each part desired.

## Understanding Reference Numbers

Each identified part in an illustration has a reference number. The reference number for a part also appears in the parts list, along with other information about the part.

This catalog uses two special reference number formats, one to indicate parts in a service assembly and another to indicate the quantity of a given part in an illustration.

## Service Assembly Reference Numbers

Parts in service assemblies have reference numbers in the form a:b. The a represents the reference number of the entire service assembly and the b represents a sequential number unique to each part within the service assembly.

For example, a wheel assembly might be identified by reference number 6, the tire by 6:1, the valve by 6:2, and the wheel by 6:3. When you order the assembly identified by reference number 6, you receive all parts identified by reference numbers 6:1, 6:2, and 6:3. However, you may also order any part individually. Reference numbers of this type appear in illustration and in parts lists.

## Reference Numbers Indicating Quantity

In an illustration, if a reference number indicates more than one part, the reference number has the form nX y. The n represents the quantity of the part, the X is the multiplication symbol, and the y represents the reference number.

For example, in an illustration, the reference number 2X 37 means that two of the parts identified by reference number 37 are indicated.

# List of Abbreviations

**AR:** as required

**ASM:** assembly

**BBC:** blade brake control

**BHTF:** button head thread forming

**CARR:** carriage

**CCW:** counter clockwise

**CW:** clockwise

**DEG:** degrees

**ECM:** electronic control module

**EXT:** external

**FH:** flat head

**GA:** gauge

**HD:** heavy-duty

**HF:** hex flange

**HH:** hex head

**HHF:** hex head flange

**HHFTF:** hex head flange thread forming

**HJ:** hex jam

**HLH:** hex lag head

**HOC:** height-of-cut

**HSBH:** hex socket button head

**HSFH:** hex socket flat head

**HSH:** hex socket head

**HWH:** hex washer head

**HWHTF:** hex washer head thread forming

**HYD:** hydraulic

**LH:** left hand

**LP:** Liquid Propane

**NI:** nylon insert

**NPTF:** national pipe thread fine

**PFH:** phillips flat head

**PPH:** phillips pan head

**PPHTF:** phillips pan head thread forming

**PRH:** phillips round head

**PTH:** phillips truss head

**PTO:** power-take-off

**RH:** right hand

**ROPS:** roll-over protection system

**RRB:** rear roller brush

**SFH:** slotted fillister head

**SHH:** slotted hex head

**SHWH:** slotted hex washer head

**SPH:** slotted pan head

**SQH:** square head

**SRH:** slotted round head

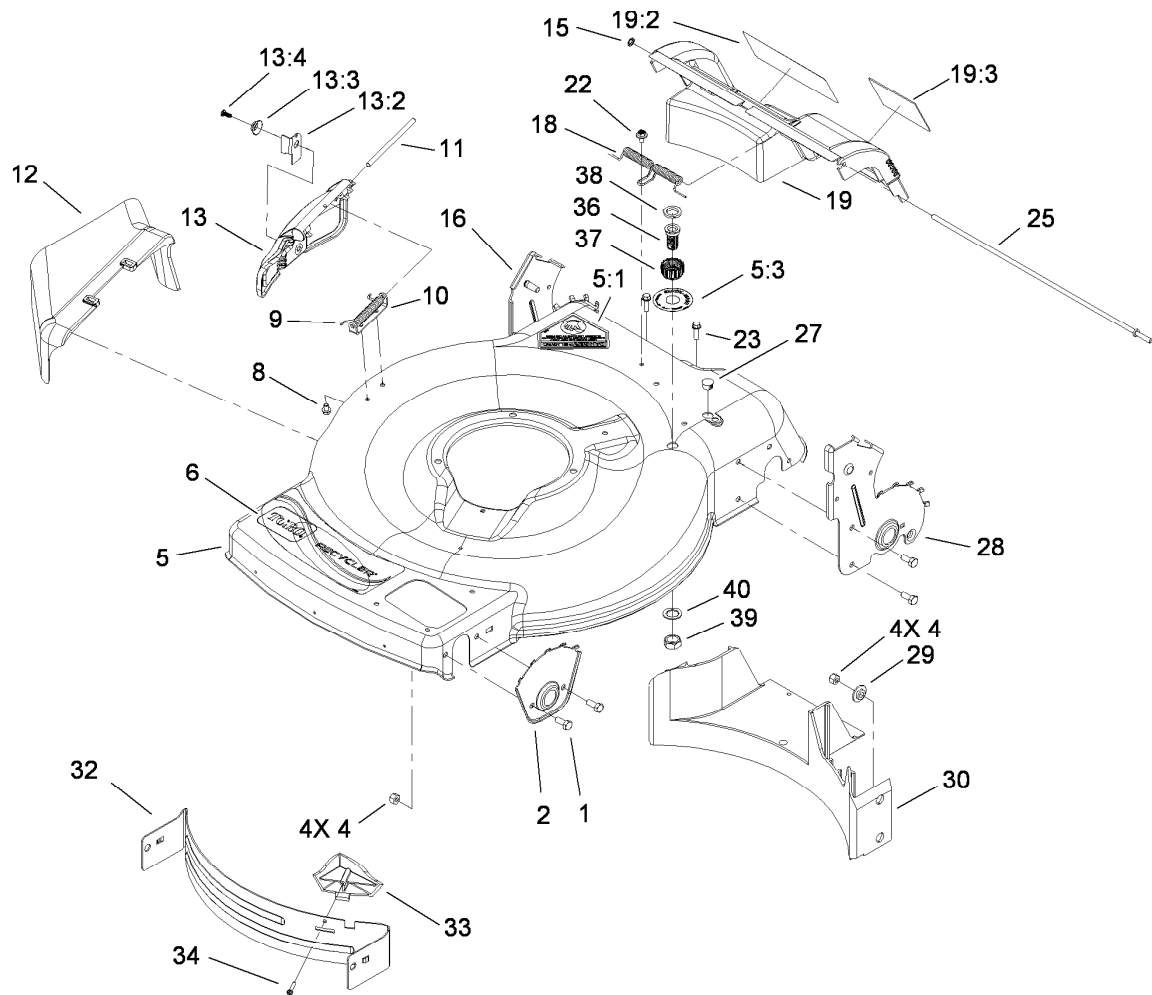
**STD:** standard

**TAP:** self tapping

**TTH:** torx truss head

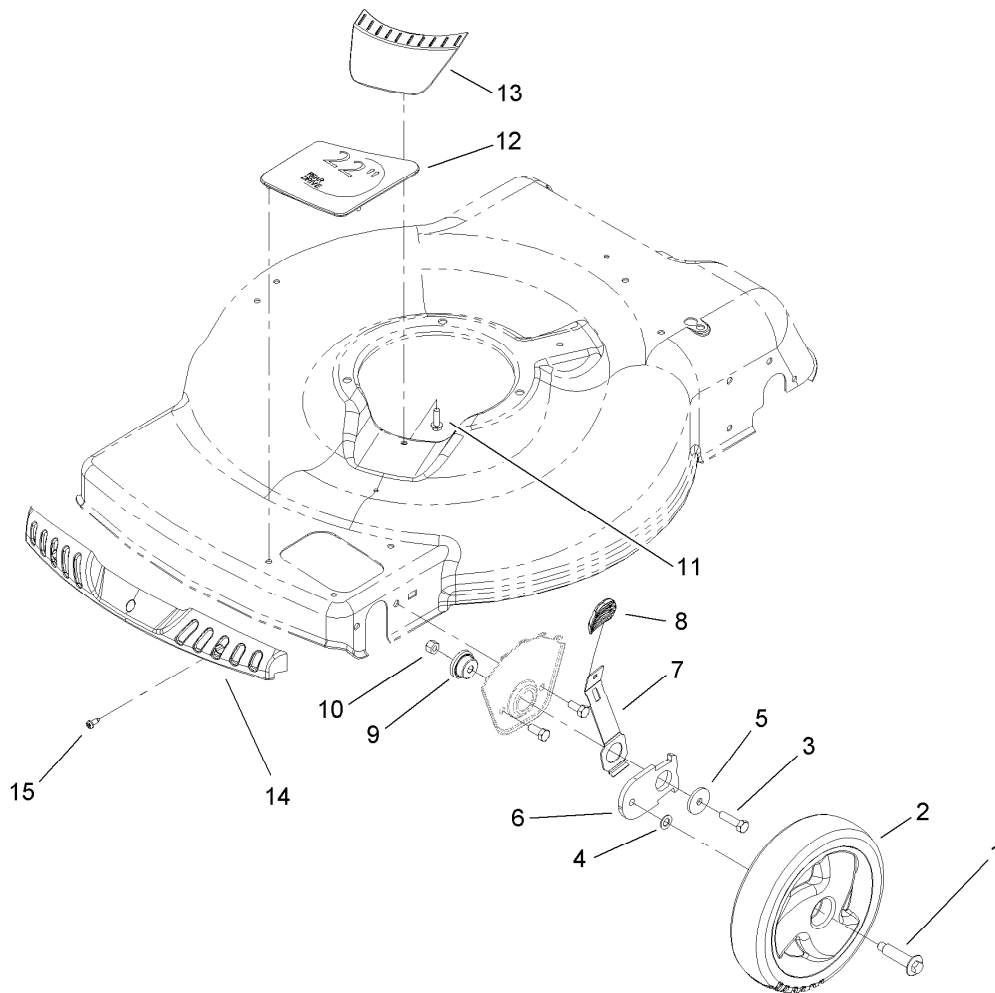
# Contents

- Deck, Side Chute and Rear Door Assembly ..... 4
- Front Axle Assembly ..... 5
- Rear Axle and Transmission Assembly ..... 6
- Engine and Blade Assembly ..... 7
- Handle Assembly ..... 8
- Rear Bag Assembly ..... 9
- Attachments and Accessories ..... 10



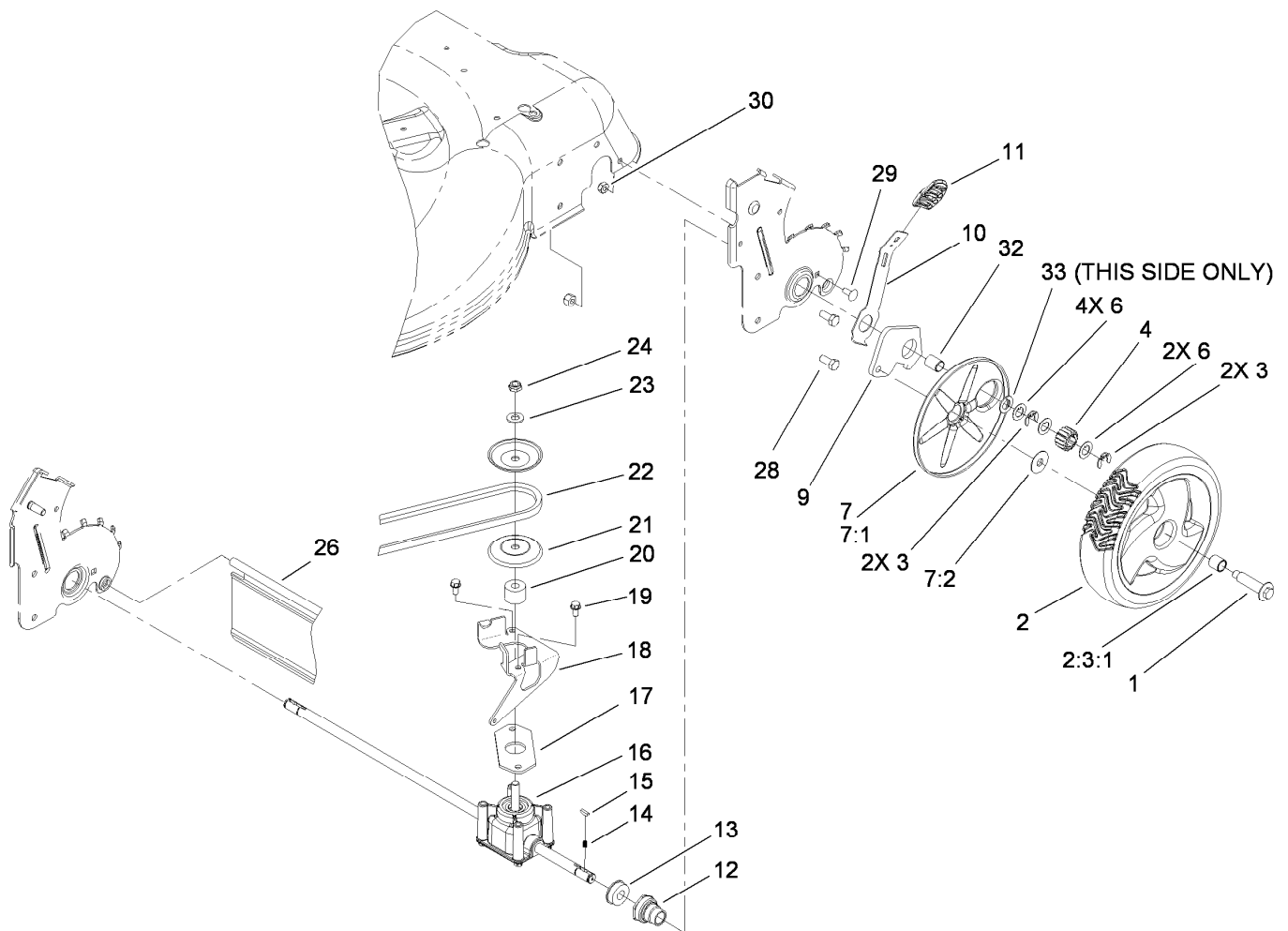
## Deck, Side Chute and Rear Door Assembly

Ref.	Part Number	Qty.	Description	Ref.	Part Number	Qty.	Description
1	322-3	4	Screw-HH	19	112-8865	1	Rear Door ASM
2	105-1808-03	2	Plate-HOC, Front	19:2	112-8759	1	Decal-Warning
4	3296-29	8	Nut-Lock, NI	19:3	104-7908	1	Decal-Warning
5	115-1976	1	Housing ASM	22	46-6810	1	Screw And Washer ASM
5:1	112-8760	1	Decal-Danger	23	46-8091	2	Screw-HWH
5:3	112-8867	1	Decal-Port, Washout	25	105-1827	1	Rod-Pivot, Rear Door
6	114-0321	1	Decal-Recycler (Rwd)	27	104-9369	1	Plug-Dome
8	99-8445	2	Screw-HWH	28	112-6443	1	8 Inch LH HOC Plate ASM
9	99-5293	1	Spring-Torsion	29	105-3006	4	Washer-Stepped
10	112-6416	1	Bracket-Cover	30	105-1834	1	Baffle-Rear
11	99-5291	1	Rod-Cover	32	107-0793-03	1	Baffle-Front
12	105-3028	1	Chute-Discharge, Side	33	107-0752	1	Kicker-Front
13	106-8376	1	Discharge Door ASM	34	32144-111	1	Screw-PPH
13:2	107-0795	1	Latch-Door	36	112-6400	1	Port-Washout
13:3	107-7456	1	Cap-Door	37	112-6401	1	Coupling-Hose, Washout Port
13:4	107-7461	1	Screw-Plastite	38	112-6438	1	Washer-Seal, Washout Port
15	32112-6	1	Nut-Push	39	3218-6	1	Nut-Jam
16	112-6441	1	8 Inch RH HOC Plate ASM	40	3254-5	1	Washer-Tooth, Internal
18	105-3032	1	Spring-Door, Rear				



## Front Axle Assembly

<i>Ref.</i>	<i>Part Number</i>	<i>Qty.</i>	<i>Description</i>
1	614650	2	Bolt-Shoulder
2	105-1814	2	Wheel ASM (59505)
3	322-6	2	Screw-HH
4	110-7466	2	Washer-Bolt, Wheel
5	105-3048	2	Washer-Flat
6	105-1807	2	Arm-Pivot, Front
7	105-1809	2	Arm-Spring
8	105-3042	2	Knob-Lever, HOC
9	105-1818	2	Bushing-Mount, HOC
10	3296-29	2	Nut-Lock, NI
11	46-8091	1	Screw-HWH
12	104-9398	1	Cover-Cutout
13	105-3005	1	Cover-Belt Opening
14	104-9359	1	Bumper-Mower
15	105-6849	3	Screw-Thread Forming

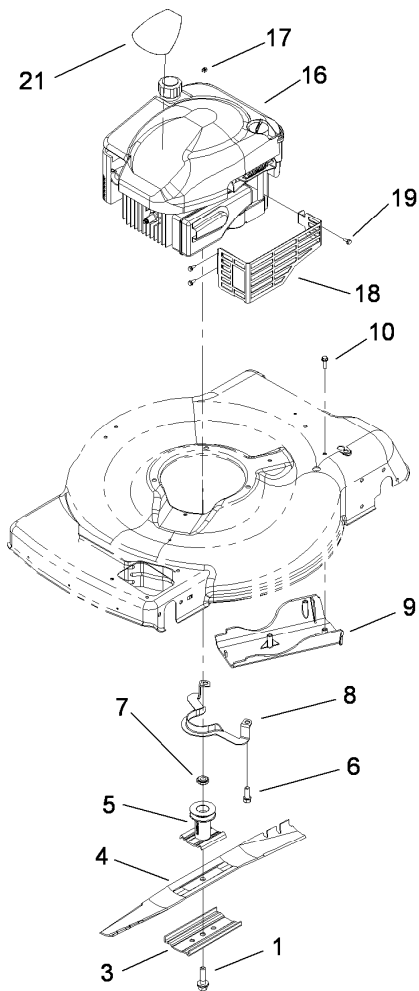


## Rear Axle and Transmission Assembly

Ref.	Part Number	Qty.	Description	Ref.	Part Number	Qty.	Description
1	614650	2	Bolt-Shoulder	15	612066	2	Key
2	105-3036	2	Wheel Gear ASM	16	106-3956	1	Transmission ASM
2:3		1	Wheel ASM ●■	17	108-9756	1	Gasket-Gearbox
2:3:1	27-6250	2	Bushing	18	106-6809-03	1	Bracket-Pivot
3	65-2720	4	Ring-Clip, Locking	19	32144-4	2	Screw-HWH
4	105-3040	2	Gear-Pinion, 15T	20	92-5791	1	Spacer
6	105-6840	6	Washer-Thrust	21	100-1176	2	Pulley-Half
7	110-1792	2	Wheel Cover ASM	22	91-2258	1	Belt-V
7:1		1	Cover-Wheel ●■	23	3256-24	1	Washer-Flat
7:2	614426	1	Washer-Stepped	24	3296-5	1	Nut-Lock
9	108-9781	2	Arm-Pivot, Rear	26	114-1585	1	Shield-Trailing
10	108-9780	2	Arm-Spring	28	322-4	4	Screw-HH
11	105-3042	2	Knob-Lever, HOC	29	3229-11	2	Screw-CARR
12	108-9779	2	Retainer-Bushing, HOC	30	3296-16	2	Nut-Lock, NI
13	104-8699	2	Bearing-Ball	32	108-9782	2	Bushing-Sleeve
14	39-9650	2	Spring-Compression	33	110-7191	1	Washer-Thrust

● Not illustrated

■ Not serviced separately

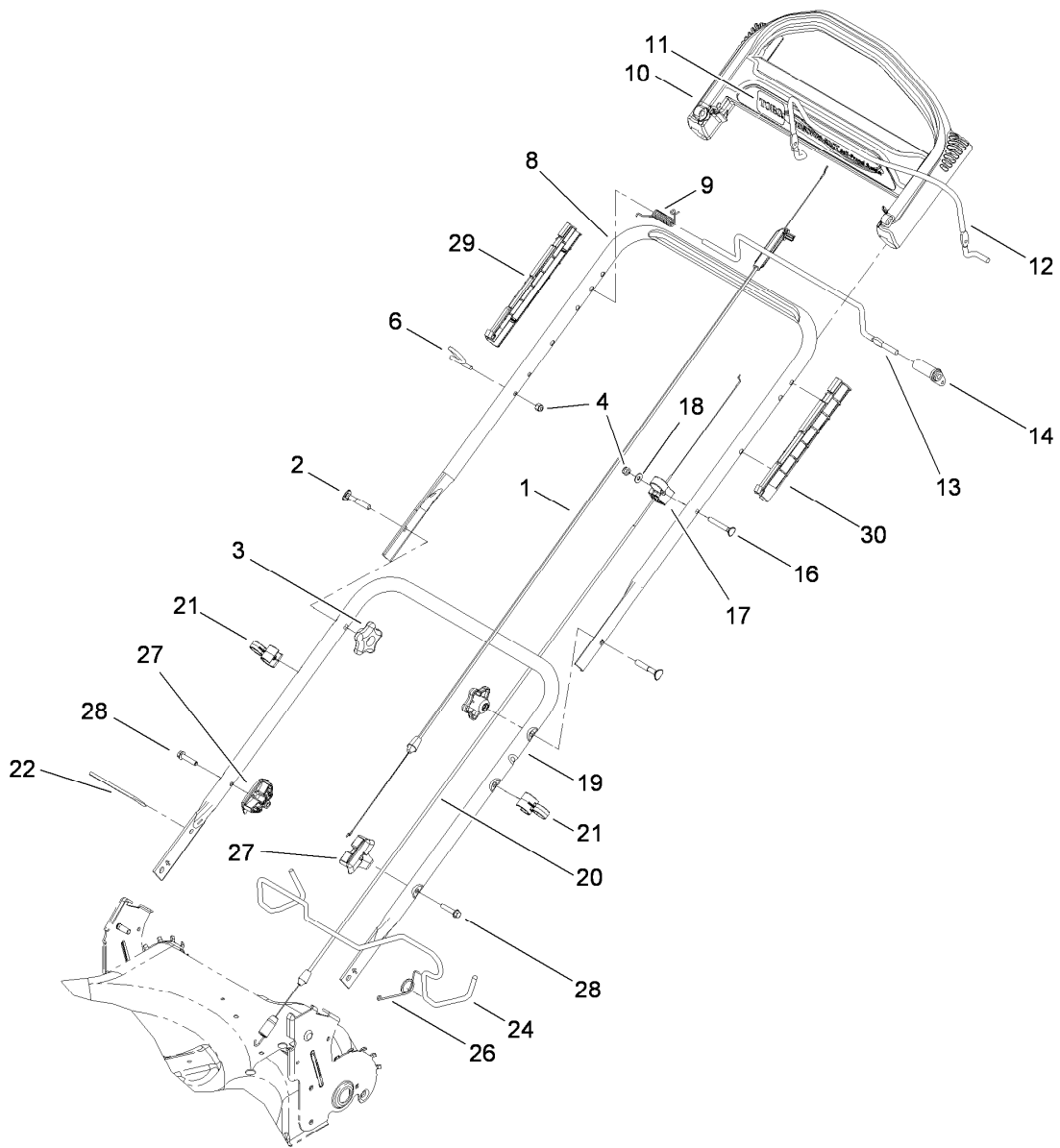


## Engine and Blade Assembly

Ref.	Part Number	Qty.	Description
1	105-8579	1	Bolt-Blade
3	105-6848-03	1	Accelerator-Blade
4	108-9783	1	Blade
5	106-3987	1	Blade Driver ASM
6	95-1726	3	Screw-Taptite
7	106-3999	1	Spacer-Driver
8	105-3030-03	1	Guide-Belt
9	105-1835	1	Cover-Belt, Rear
10	46-8091	3	Screw-HWH
16		1	Engine-Briggs, 126T02-4241-B1 ●■
17	2210-316	1	Stop-Rope
18	104-7577-03	1	Shield-Muffler
19	32144-1	3	Screw-Taptite
21	115-4653	1	Decal

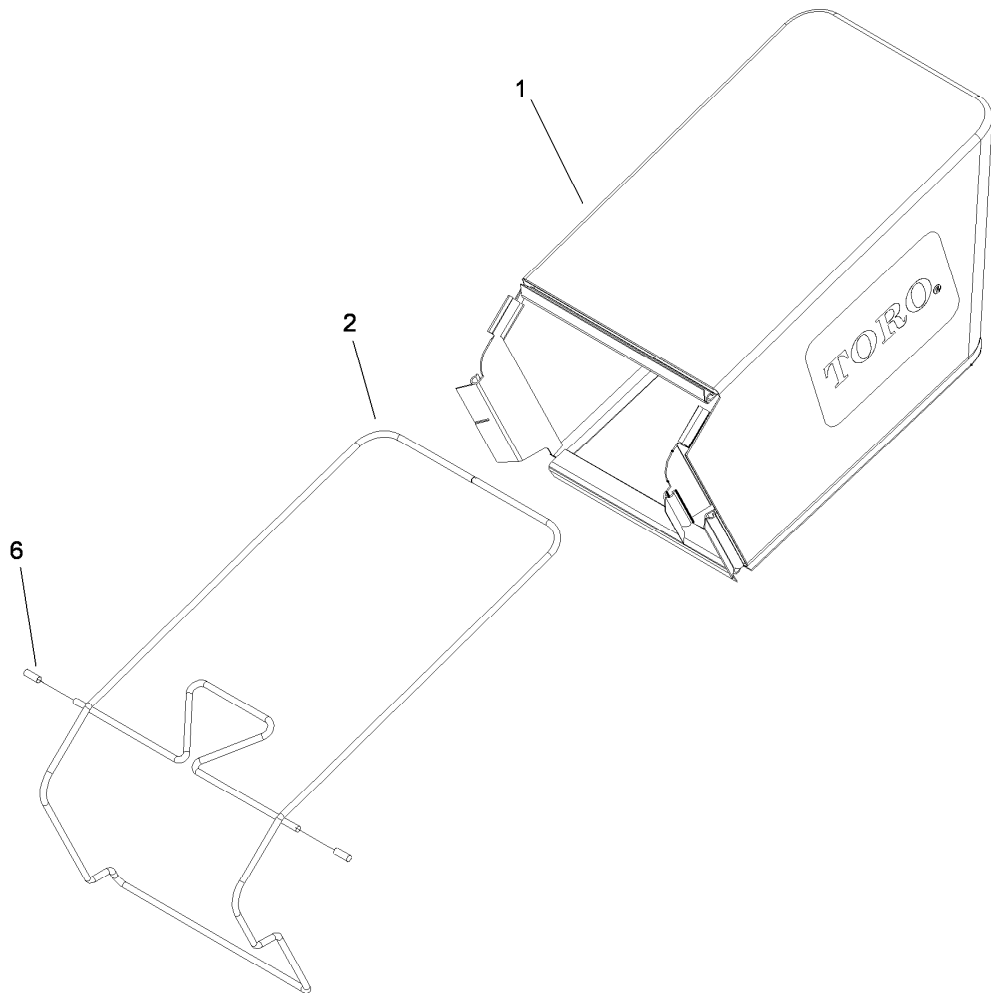
● Not serviced separately

■ Obtain parts from [www.briggsandstratton.com](http://www.briggsandstratton.com)



## Handle Assembly

<i>Ref.</i>	<i>Part Number</i>	<i>Qty.</i>	<i>Description</i>	<i>Ref.</i>	<i>Part Number</i>	<i>Qty.</i>	<i>Description</i>
1	115-8437	1	Cable-Brake	17	99-5239	1	Anchor-Cable
2	112-8876	2	Screw-Handle	18	3256-1	1	Washer-Flat
3	108-8162	2	Knob-Locking	19	112-6440-05	1	Handle-Lower
4	3296-73	2	Nut-Lock, NI	20	105-1844	1	Cable-Traction
6	86-9671	1	Guide-Rope	21	106-6805	2	Guide-Cable
8	104-8680-05	1	Handle-Upper	22	614249	1	Strap-Tie
9	104-8690	1	Spring-Torsion	24	107-0768	1	Release Lever ASM
10	104-8678	1	Handle-Control	26	107-7472	1	Spring-Torsion
11	110-7056	1	Decal-Handle	27	108-9788	2	Anchor-Bag
12	104-8679-03	1	Bail-Brake	28	32144-110	2	Screw-HWH
13	99-1588	1	Bar-Control, Traction	29	105-6841	1	Guide-RH
14	99-1589	1	Lever-Traction	30	105-6842	1	Guide-LH
16	95-4453	1	Screw				



## Rear Bag Assembly

<i>Ref.</i>	<i>Part Number</i>	<i>Qty.</i>	<i>Description</i>
1	108-9792	1	Grass Bag ASM
2	108-9785-03	1	Frame-Bag
6	112-6439	2	Cap-End

# Attachments and Accessories

## For 20655 55cm Recycler Lawn Mower

<b>Product Name</b>	<b>Model/Part</b>
Traction Assist Handle Kit.....	108-8120
Replacement Bag .....	59303
Bagger Kit.....	59304
22 inch Blade Kit.....	59534

**Notes:**



**Count on it.**