



Count on it.

Parts Catalog

**Z Master® G3 Riding Mower
with 60in TURBO FORCE® Side Discharge
Mower**

Model No. 74945CP—Serial No. 290000001 and Up

Ordering Replacement Parts

To order replacement parts, please supply the part number, the quantity, and the description of each part desired.

Understanding Reference Numbers

Each identified part in an illustration has a reference number. The reference number for a part also appears in the parts list, along with other information about the part.

This catalog uses two special reference number formats, one to indicate parts in a service assembly and another to indicate the quantity of a given part in an illustration.

Service Assembly Reference Numbers

Parts in service assemblies have reference numbers in the form a:b. The a represents the reference number of the entire service assembly and the b represents a sequential number unique to each part within the service assembly.

For example, a wheel assembly might be identified by reference number 6, the tire by 6:1, the valve by 6:2, and the wheel by 6:3. When you order the assembly identified by reference number 6, you receive all parts identified by reference numbers 6:1, 6:2, and 6:3. However, you may also order any part individually. Reference numbers of this type appear in illustration and in parts lists.

Reference Numbers Indicating Quantity

In an illustration, if a reference number indicates more than one part, the reference number has the form nX y. The n represents the quantity of the part, the X is the multiplication symbol, and the y represents the reference number.

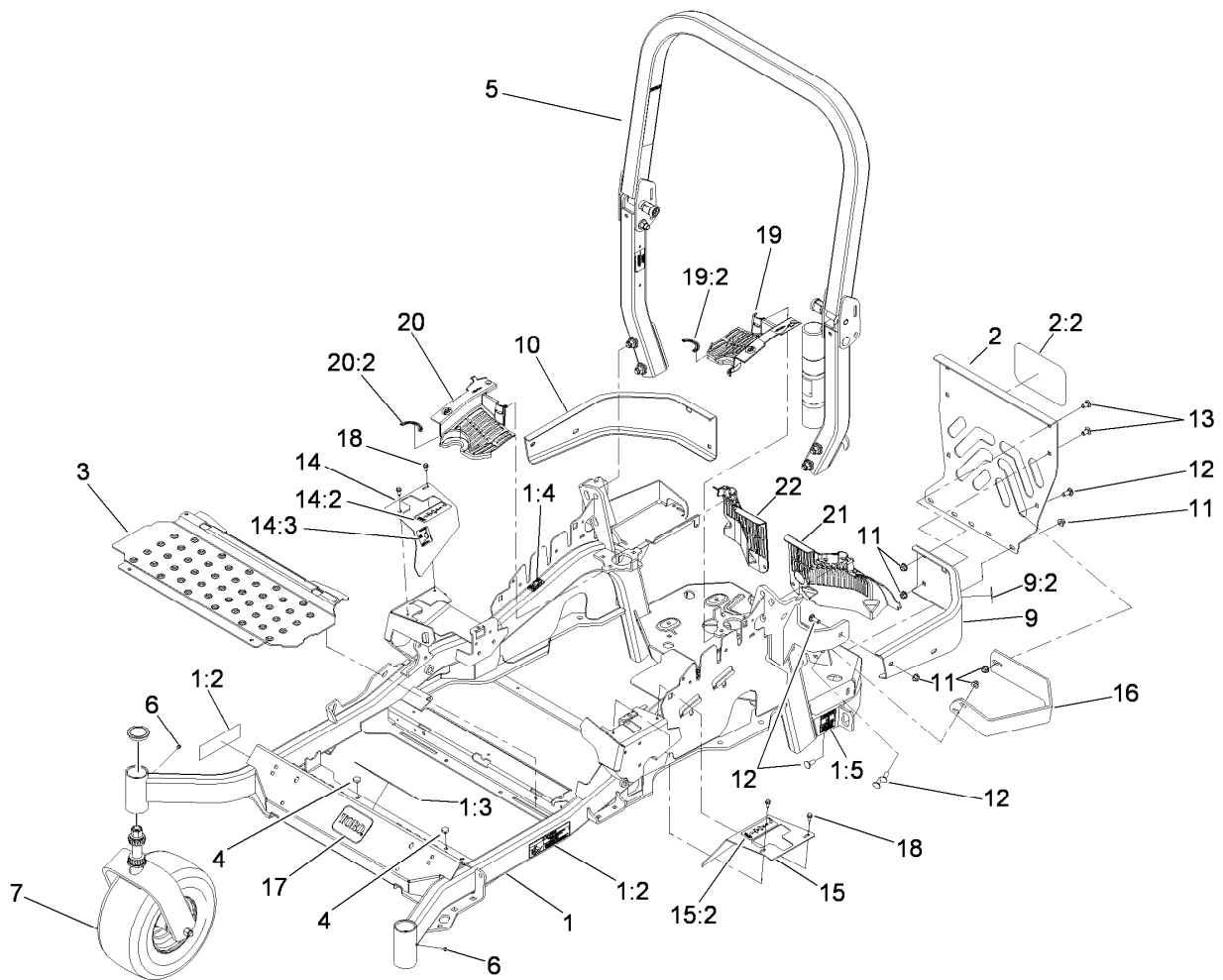
For example, in an illustration, the reference number 2X 37 means that two of the parts identified by reference number 37 are indicated.

List of Abbreviations

AR: as required	HSBH: hex socket button head	SFH: slotted fillister head
ASM: assembly	HSFH: hex socket flat head	SHH: slotted hex head
BBC: blade brake control	HSH: hex socket head	SHWH: slotted hex washer head
BHTF: button head thread forming	HWH: hex washer head	SPH: slotted pan head
CARR: carriage	HWHTF: hex washer head thread forming	SQH: square head
CCW: counter clockwise	HYD: hydraulic	SRH: slotted round head
CW: clockwise	LH: left hand	STD: standard
DEG: degrees	LP: Liquid Propane	TAP: self tapping
ECM: electronic control module	NI: nylon insert	TTH: torx truss head
EXT: external	NPTF: national pipe thread fine	
FH: flat head	PFH: phillips flat head	
GA: gauge	PPH: phillips pan head	
HD: heavy-duty	PPHTF: phillips pan head thread forming	
HF: hex flange	PRH: phillips round head	
HH: hex head	PTH: phillips truss head	
HHF: hex head flange	PTO: power-take-off	
HHFTF: hex head flange thread forming	RH: right hand	
HJ: hex jam	ROPS: roll-over protection system	
HLH: hex lag head	RRB: rear roller brush	
HOC: height-of-cut		

Contents

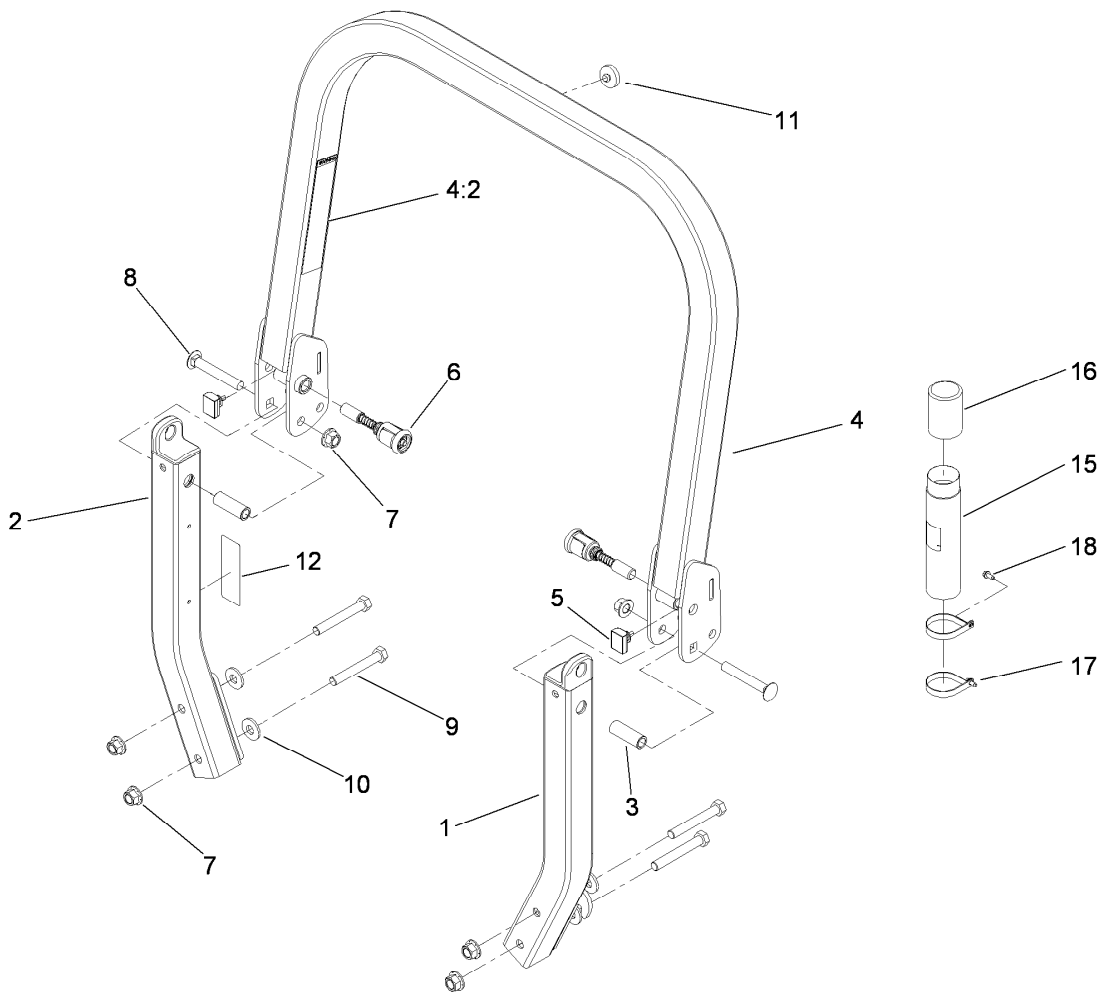
Front Frame and Caster Wheel Assembly	4
Roll-Over Protection System Assembly No. 116-0232.....	5
Caster Wheel and Fork Assembly	6
Hydraulic Pump, Idler and Belt Assembly.....	7
Pump Idler Assembly No. 116-1185	8
LH Hydro Assembly No. 116-1324	9
RH Hydro Assembly No. 116-1325	10
Rear Wheel and Park Brake Assembly.....	11
Brake Handle Assembly No. 117-0383.....	12
Fuel System Assembly	13
Fuel Tank Assembly No. 109-9357	14
Seat Mounting Assembly	15
Seat Assembly No. 116-0035.....	16
Motion Control Assembly	17
Fender, Console and Control Assembly	18
LH Console Assembly No. 115-7401	19
RH Console Assembly No. 115-7400	20
Electrical System Assembly	21
Deck Lift Assembly.....	22
Height-of-Cut Assembly No. 109-7438.....	23
Engine, Muffler and Clutch Assembly	24
Deck Assembly	25
Deck Decal Assembly No. 114-5815.....	26
Idler Assembly	27
Spindle Assembly No. 117-3840	28
Rubber Deflector Assembly No. 108-7770.....	29
Cylinder and Crankcase Assembly Kawasaki FX801V-AS04	30
Piston and Crankshaft Assembly Kawasaki FX801V-AS04.....	31
Valve and Camshaft Assembly Kawasaki FX801V-AS04.....	32
Lubrication Equipment Assembly Kawasaki FX801V-AS04	33
Cooling Equipment Assembly Kawasaki FX801V-AS04	34
Electric Equipment Assembly Kawasaki FX801V-AS04	35
Control Equipment Assembly Kawasaki FX801V-AS04	36
Carburetor Assembly Kawasaki FX801V-AS04.....	37
Air Filter and Muffler Assembly Kawasaki FX801V-AS04.....	39
Fuel Tank and Fuel Valve Assembly Kawasaki FX801V-AS04	40
Starter Assembly Kawasaki FX801V-AS04	41
Label Set Kawasaki FX801V-AS04	42
Attachments and Accessories	43



Front Frame and Caster Wheel Assembly

Ref.	Part Number	Qty.	Description	Ref.	Part Number	Qty.	Description
1	109-7347	1	Main Frame ASM	13	3231-21	4	Screw-CARR
1:2	109-9477	2	Decal-Warning	14	116-0579	1	RH Motion Control Cover ASM
1:3	107-2112	1	Decal-Warning	14:2	109-7232	1	Decal-Motion Control
1:4	103-2076	2	Decal-Caution	14:3	109-7929	1	Decal-Park Brake
1:5	116-0205	2	Decal-Belt Drive	15	116-0580	1	LH Motion Control Cover ASM
2	115-7410	1	Rear Guard ASM	15:2	109-7232	1	Decal-Motion Control
2:2	67-7320	1	Decal	16	116-0043-03	1	Guard-Muffler
3	116-0024-01	1	Floorpan	17	68-3640	1	Decal
4	1-513658	2	Bumper	18	32144-10	4	Screw-HWH
5	116-0232	1	ROPS ASM	19	116-0170	1	LH Hydro Guard ASM
6	1-811010	2	Plug	19:2	116-0157	1	Decal-Hydro Oil
7		2	Caster Wheel ASM ●	20	116-0171	1	RH Hydro Guard ASM
9	116-0180	1	LH Bumper ASM	20:2	116-0157	1	Decal-Hydro Oil
9:2	103-2076	1	Decal-Caution	21	109-9057	1	Guard-Hydro, Rear LH
10	116-0057-03	1	Bumper-RH	22	109-9058	1	Guard-Hydro, Rear RH
11	104-8301	11	Nut-Flange, NI				
12	3231-22	7	Screw-CARR				

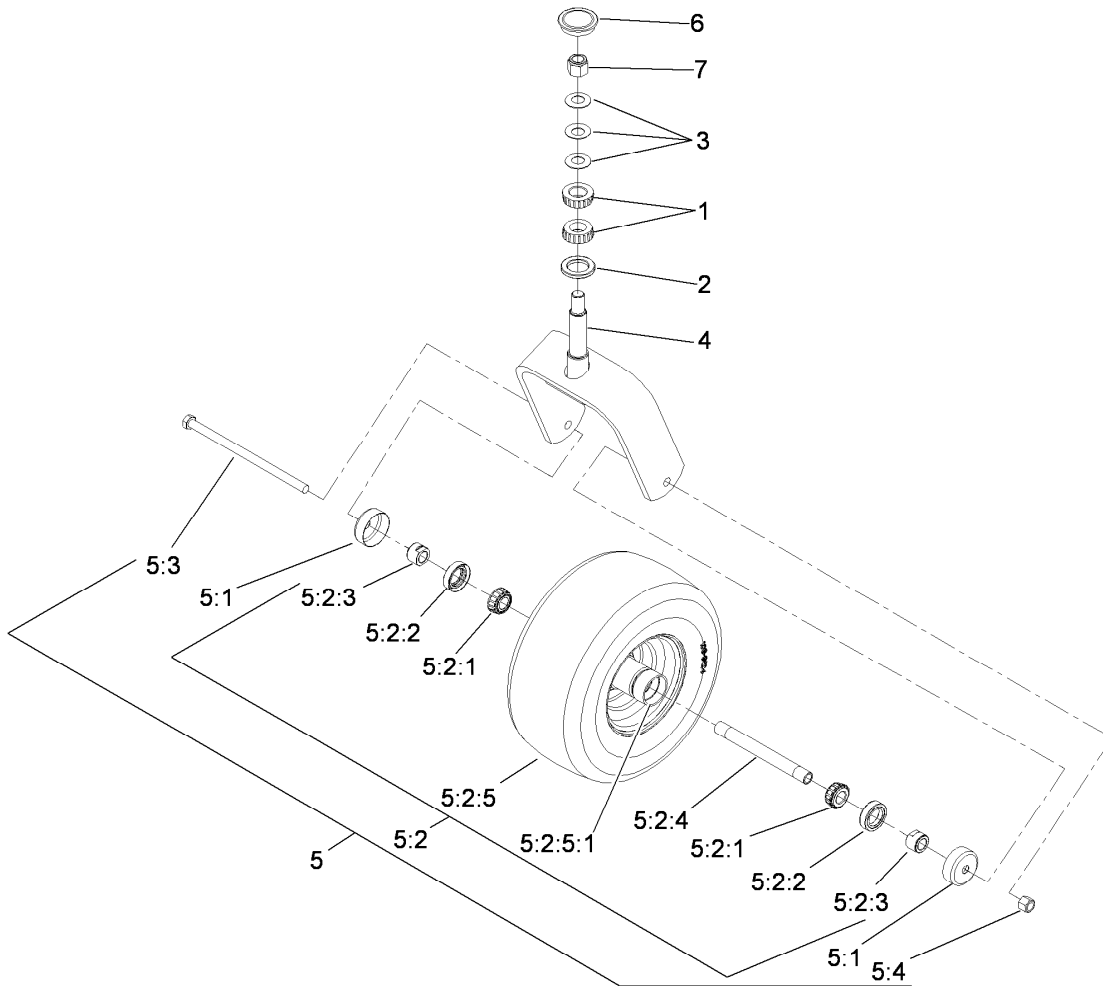
● Not serviced separately



Roll-Over Protection System Assembly No. 116-0232

Ref.	Part Number	Qty.	Description
1		1	Leg-ROPS, LH ●
2		1	Leg-ROPS, RH ●
3	109-6653	2	Spacer
4		1	Upper ROPS ASM ●
4:2	107-3069	1	Decal-Warning, Folding ROPS
5	109-5337	2	Bumper-ROPS
6	116-0104	2	Spring Pin ASM
7	99-5107	6	Nut-Lock
8	3233-10	2	Screw-CARR
9	325-17	4	Screw-HH
10	1-513435	4	Washer-Spring
11	109-9233	1	Bumper-Push-In, Rubber
12	117-0346	1	Decal-Caution, Fuel Vent
15	104-7050	1	Tube-Manual
16	104-7048	1	Cap-Housing
17	107-1865	2	R-Clamp
18	32144-10	2	Screw-HWH

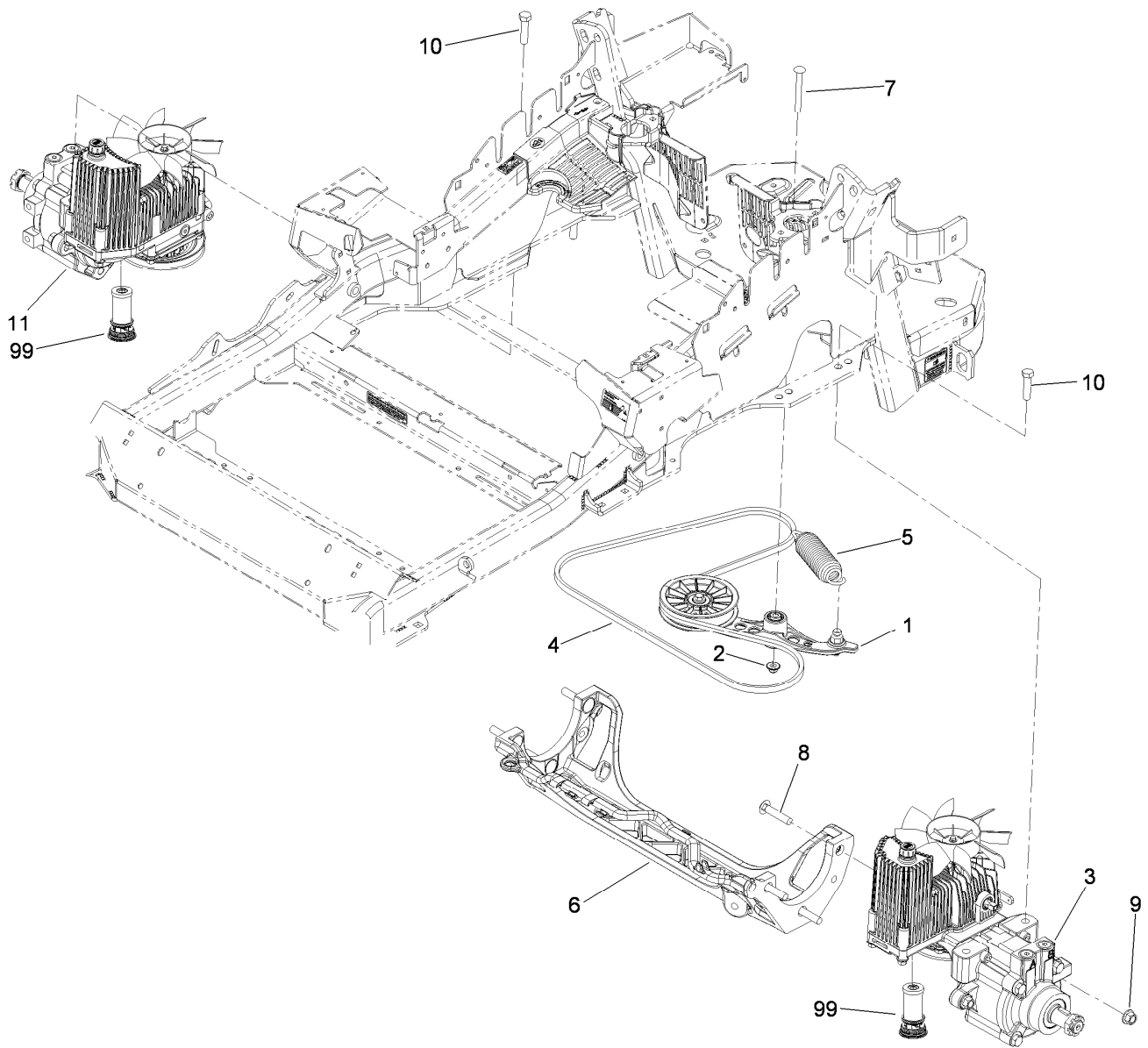
● Not serviced separately



Caster Wheel and Fork Assembly

Ref.	Part Number	Qty.	Description
1	1-543509	2	Bearing-Roller, Tapered
2	1-543511	1	Seal-Grease
3	1-633508	3	Washer-Bellville
4	103-1474-01	1	Caster-Fork
5	109-9127	1	Wheel And Tire ASM
5:1	103-2768	2	Guard-Seal
5:2		1	Wheel And Tire ASM ●
5:2:1	1-633585	2	Bearing-Cone, Taper
5:2:2	103-0063	2	Seal-Caster
5:2:3	103-3051	2	Spacer-Nut
5:2:4	103-5156	1	Axle-Caster
5:2:5		1	Wheel And Tire ASM ●
5:2:5:1	1-633584	1	Bearing-Cup
5:3	325-39	1	Screw-HH
5:4	3296-23	1	Nut-Lock, NI
6	103-4882	1	Cap-Grease
7	3296-51	1	Nut-Lock, NI

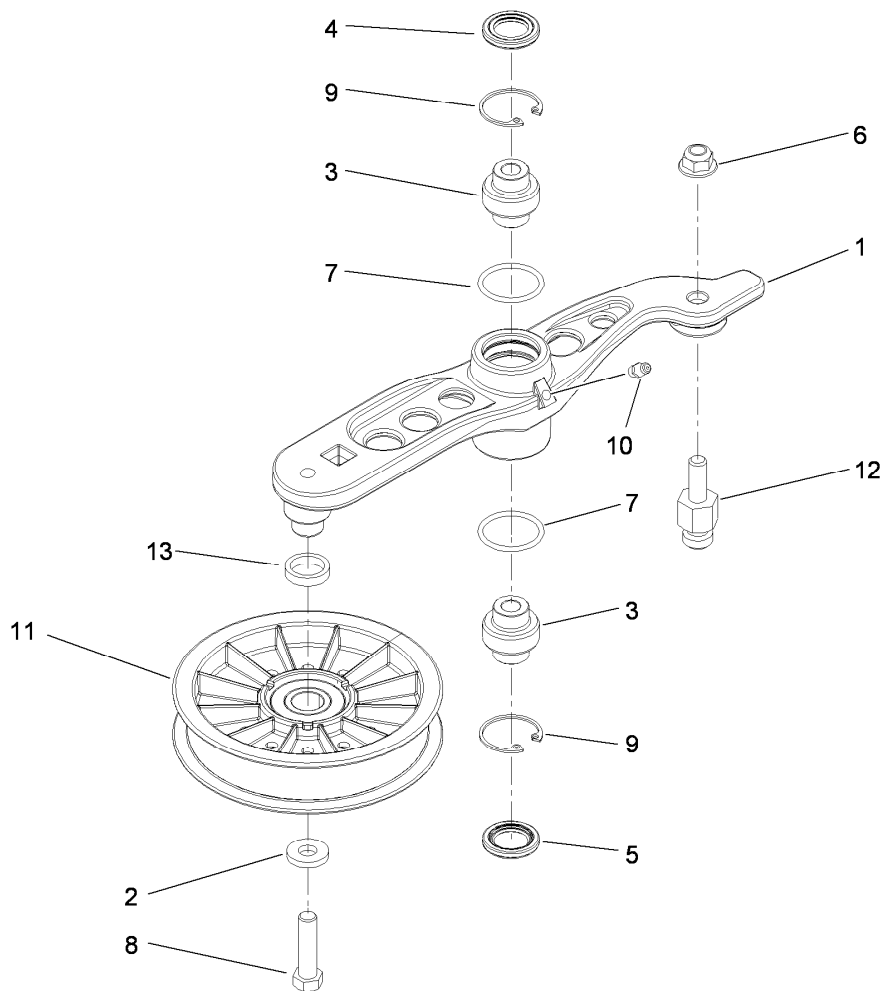
● Not serviced separately



Hydraulic Pump, Idler and Belt Assembly

Ref.	Part Number	Qty.	Description
1	116-1185	1	Pump Idler ASM
2	109-6658	1	Nut-Flange, NI
3	116-1324	1	LH Hydro ASM (12Cc W/Shock)
4	109-3388	1	Belt
5	116-0133	1	Extension-Spring
6	109-9375	1	Cradle-Hydro
7	3231-41	1	Bolt-Carriage
8	3233-34	6	Screw-CARR
9	99-5107	6	Nut-Lock
10	325-8	4	Screw-HH
11	116-1325	1	RH Hydro ASM (12Cc W/Shock)
99	114-4713	1	Hypr-Oil 500 (Quart) ●
99	114-4714	1	Hypr-Oil 500 (Gallon) ●
99	114-4715	1	Hypr-Oil 500-5 (5 Gallon) ●
99	117-0390	1	Filter-Hydro

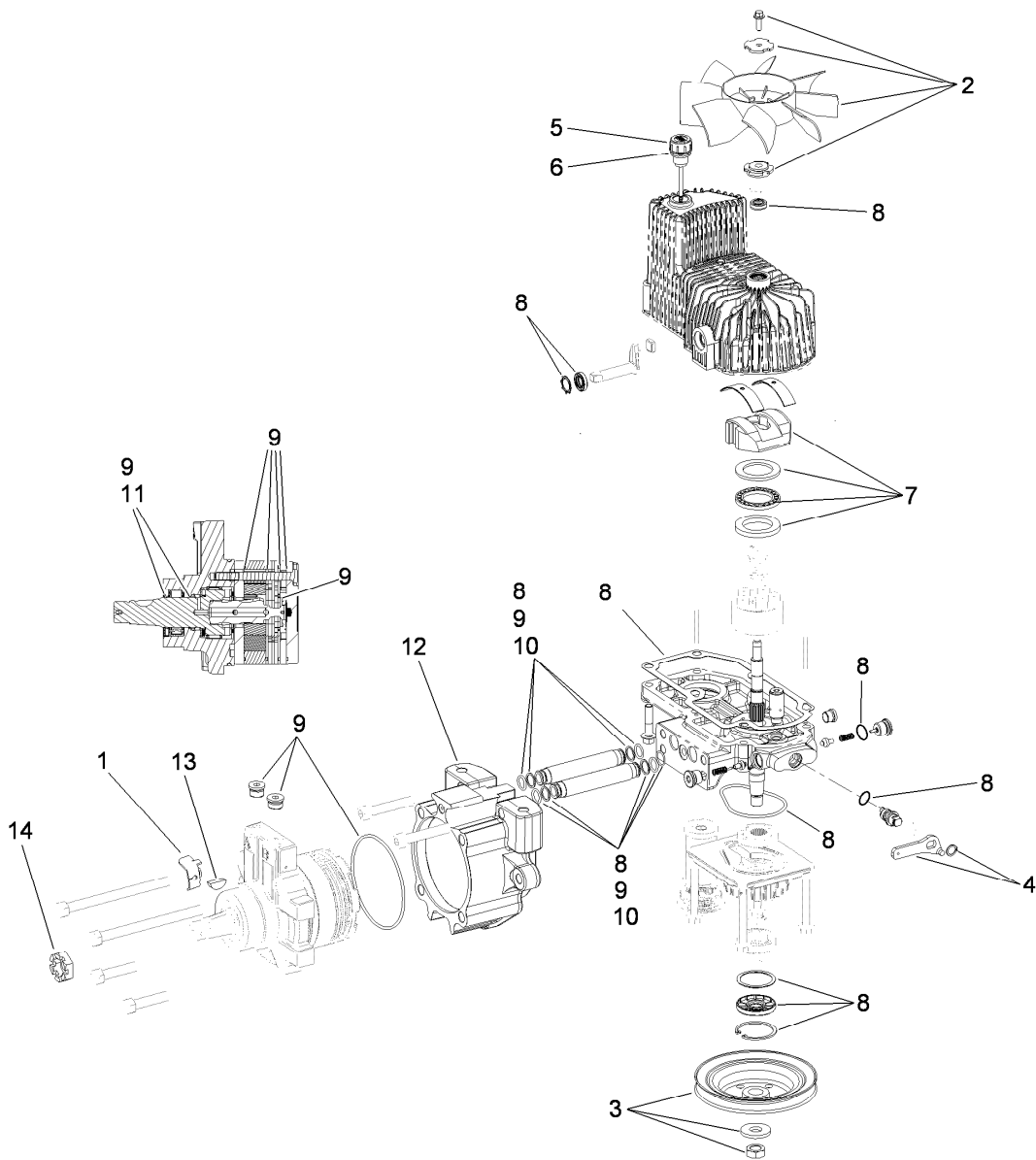
● Not illustrated



Pump Idler Assembly No. 116-1185

<i>Ref.</i>	<i>Part Number</i>	<i>Qty.</i>	<i>Description</i>
1		1	Arm-Idler, Hydro ●
2	43-0940	1	Spacer-Hub, Blower
3	103-3504	2	Bearing-Spherical
4	103-3505	1	Seal-Double Lip
5	103-3506	1	Seal-Single Lip
6	104-8301	1	Nut-Flange, NI
7	106-7159	2	O-Ring
8	323-8	1	Screw-HH
9	32120-10	2	Ring-Snap
10	302-19	1	Fitting-Grease
11	109-8076	1	Pulley-Idler
12	109-7399	1	Pin-Anchor, Spring
13	116-1217	1	Spacer

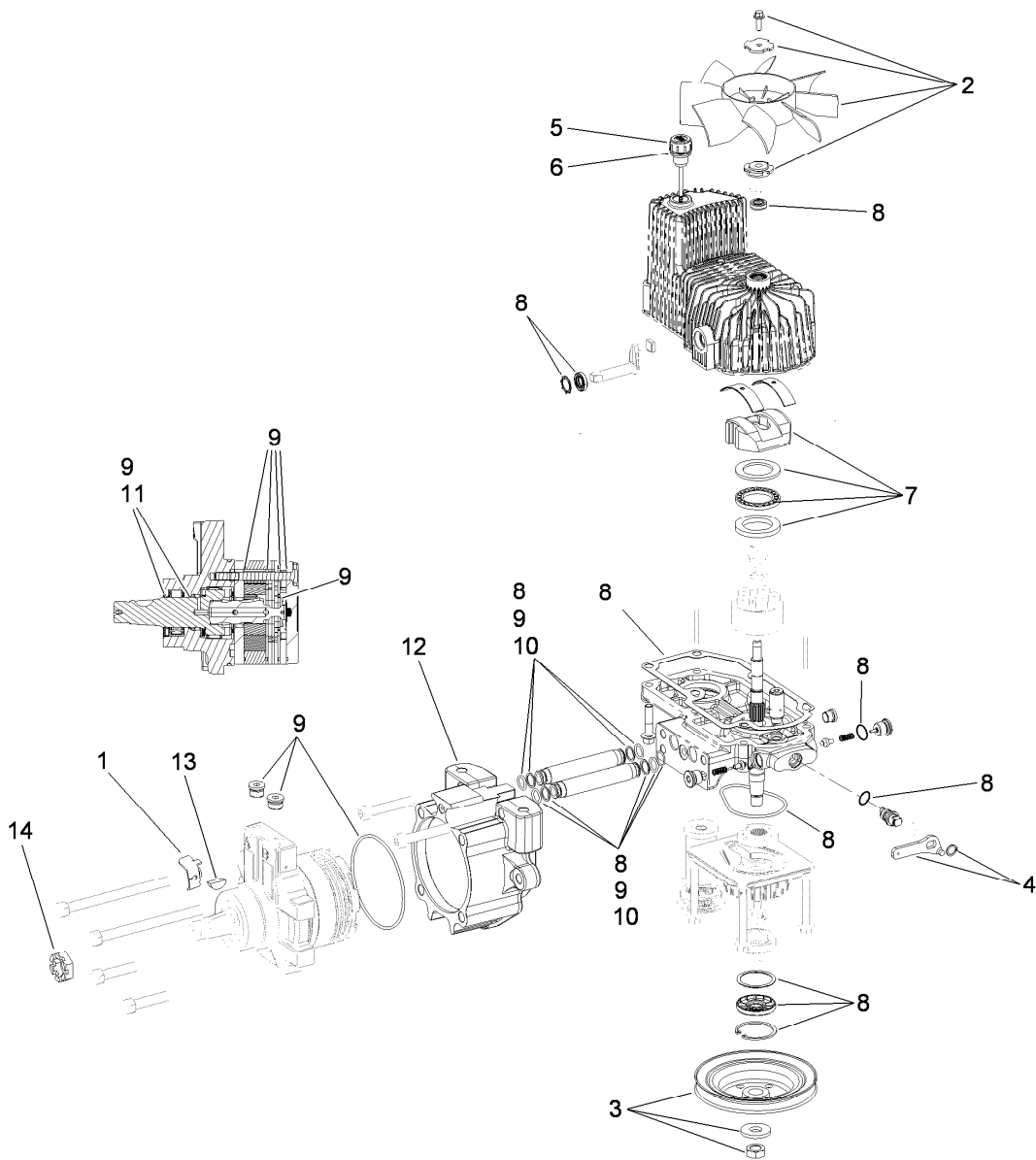
● Not serviced separately



LH Hydro Assembly No. 116-1324

Ref.	Part Number	Qty.	Description
1	116-1758	1	Bracket-Anchor, Cable
2	116-0233	1	Fan Kit
3	116-0234	1	Pulley Kit
4	116-0235	1	Handle-Bypass Valve, Hydro
5	116-0236	1	Dipstick-Hydro W/Gasket
6	116-0237	1	Gasket-Dipstick, Hydro
7	116-1367	1	Swash Block Kit
8	116-1368	1	Pump Seal Kit
9	116-1369	1	Motor Seal Kit
10	116-1370	1	Tube Seal Kit
11	116-1371	1	Output Shaft Seal Kit
12	116-1372	1	Cup-Nose
13	3257-42	1	Key-Woodruff
14	1-809036	1	Nut-HH
99	116-1373	1	Flow Test Kit ●

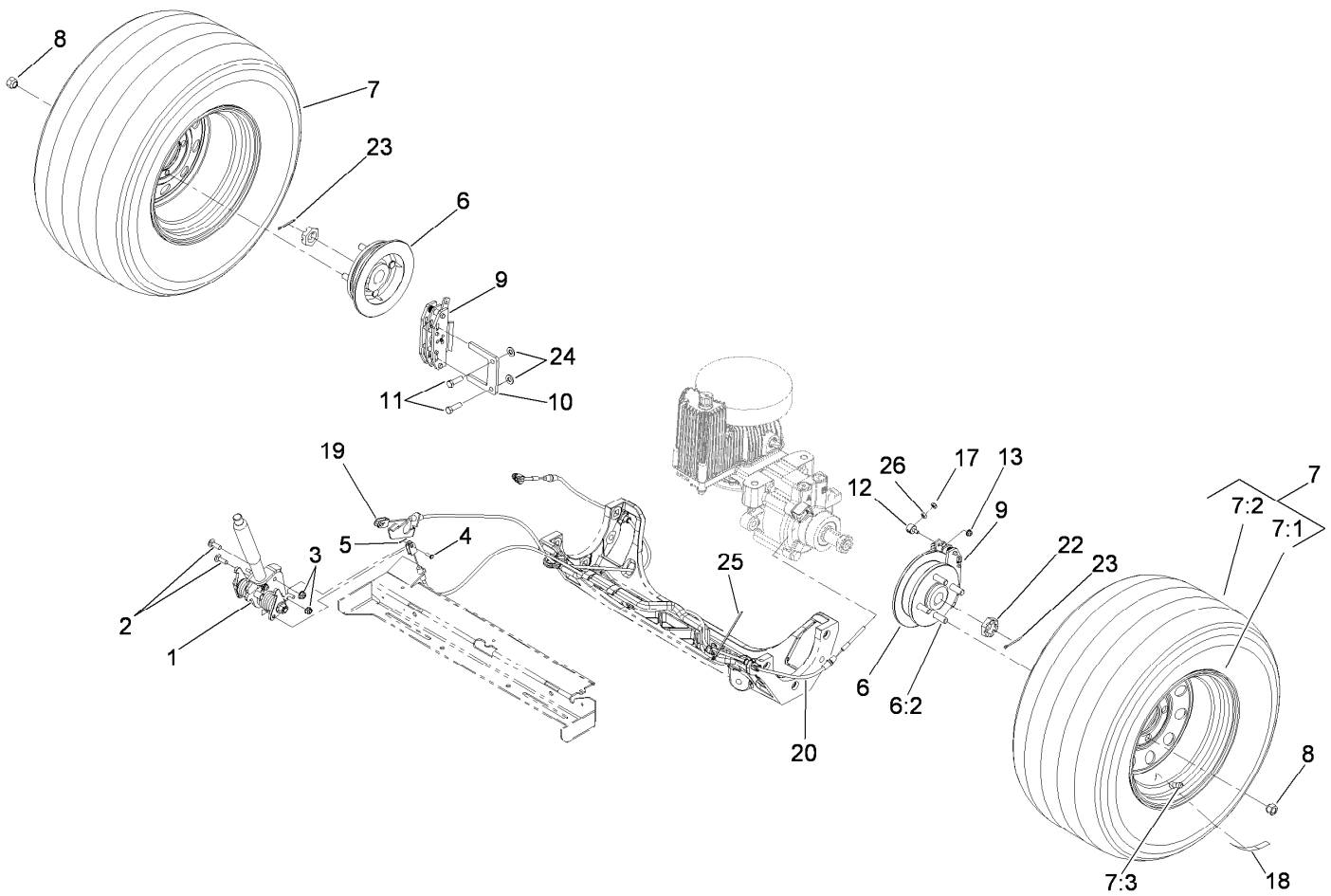
● Not illustrated



RH Hydro Assembly No. 116-1325

Ref.	Part Number	Qty.	Description
1	116-1758	1	Bracket-Anchor, Cable
2	116-0233	1	Fan Kit
3	116-0234	1	Pulley Kit
4	116-0235	1	Handle-Bypass Valve, Hydro
5	116-0236	1	Dipstick-Hydro W/Gasket
6	116-0237	1	Gasket-Dipstick, Hydro
7	116-1367	1	Swash Block Kit
8	116-1368	1	Pump Seal Kit
9	116-1369	1	Motor Seal Kit
10	116-1370	1	Tube Seal Kit
11	116-1371	1	Output Shaft Seal Kit
12	116-1372	1	Cup-Nose
13	3257-42	1	Key-Woodruff
14	1-809036	1	Nut-HH
99	116-1373	1	Flow Test Kit ●

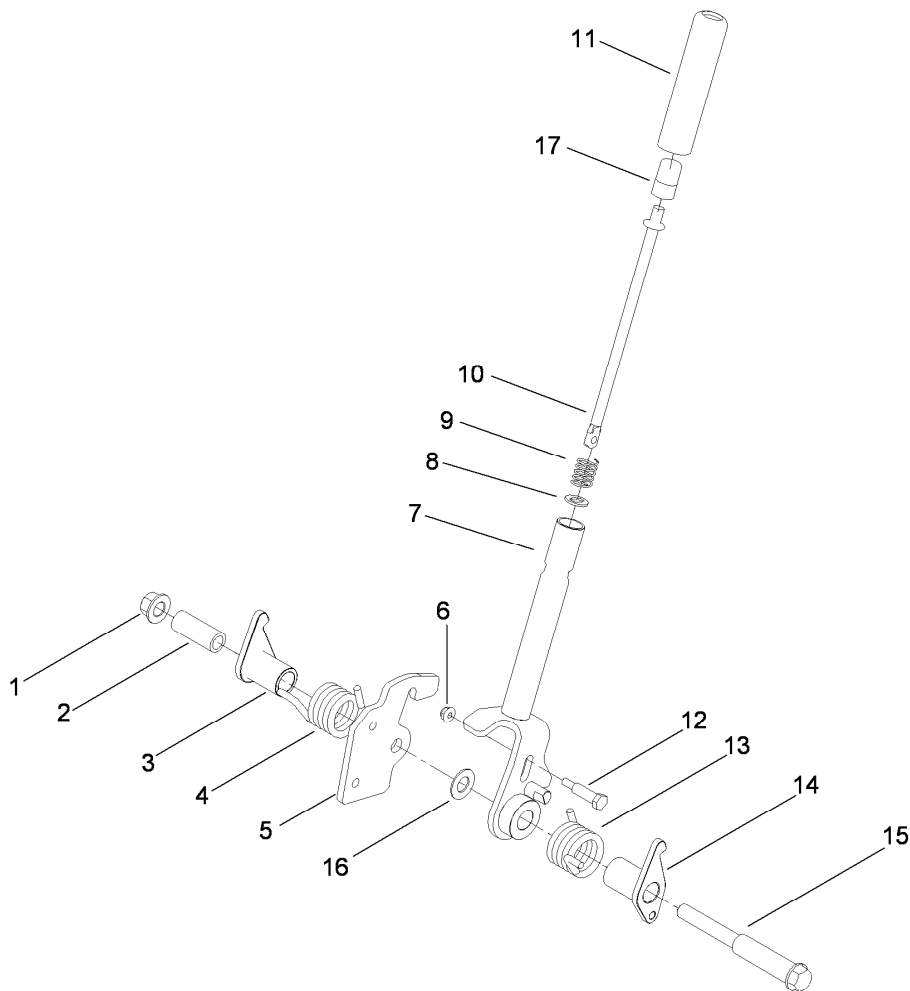
● Not illustrated



Rear Wheel and Park Brake Assembly

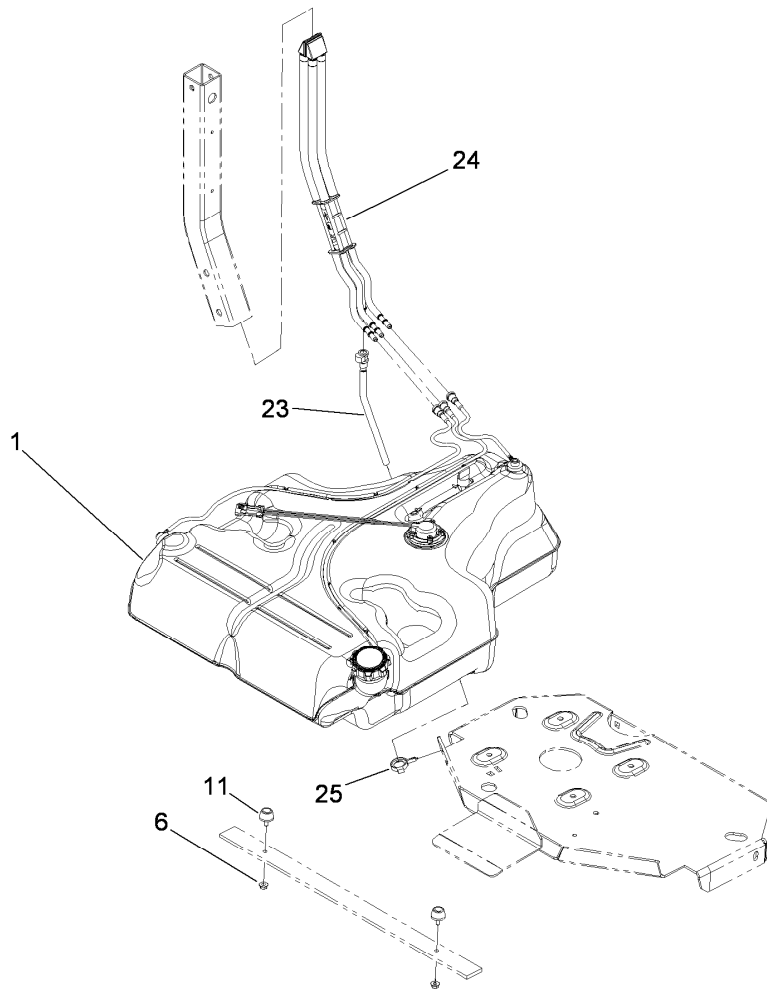
Ref.	Part Number	Qty.	Description
1	117-0383	1	Brake Handle ASM
2	3230-2	2	Bolt-CARR
3	104-8300	2	Nut-Flange, NI
4	60-1730	2	Pin-Clevis
5	3272-1	2	Pin-Cotter
6	115-3624	2	Wheel Hub And Stud ASM
6:2	1-633926	4	Stud-Wheel
7	115-3588	2	Wheel And Tire ASM
7:1	109-2871	1	Rim ASM
7:2	1-633993	1	Tire
7:3	232-27	1	Stem-Valve
8	242-50	8	Nut-Lug
9	109-2889	2	Caliper-Brake

Ref.	Part Number	Qty.	Description
10	109-0958	2	Plate-Mount, Brake
11	323-7	4	Screw-HH
12	112-8379	2	Swivel
13	104-7201	2	Nut-HF
17	3296-13	2	Nut-Lock NI
18	116-0165	2	Decal-Hub, Wheel
19	115-3584	1	Cable
20	115-3585	1	Cable
22	1-809036	2	Nut-HH
23	1-806800	2	Pin-Cotter
24	3256-24	4	Washer-Flat
25	116-0940	1	Tie-Cable
26	3219-1	2	Nut-Hex



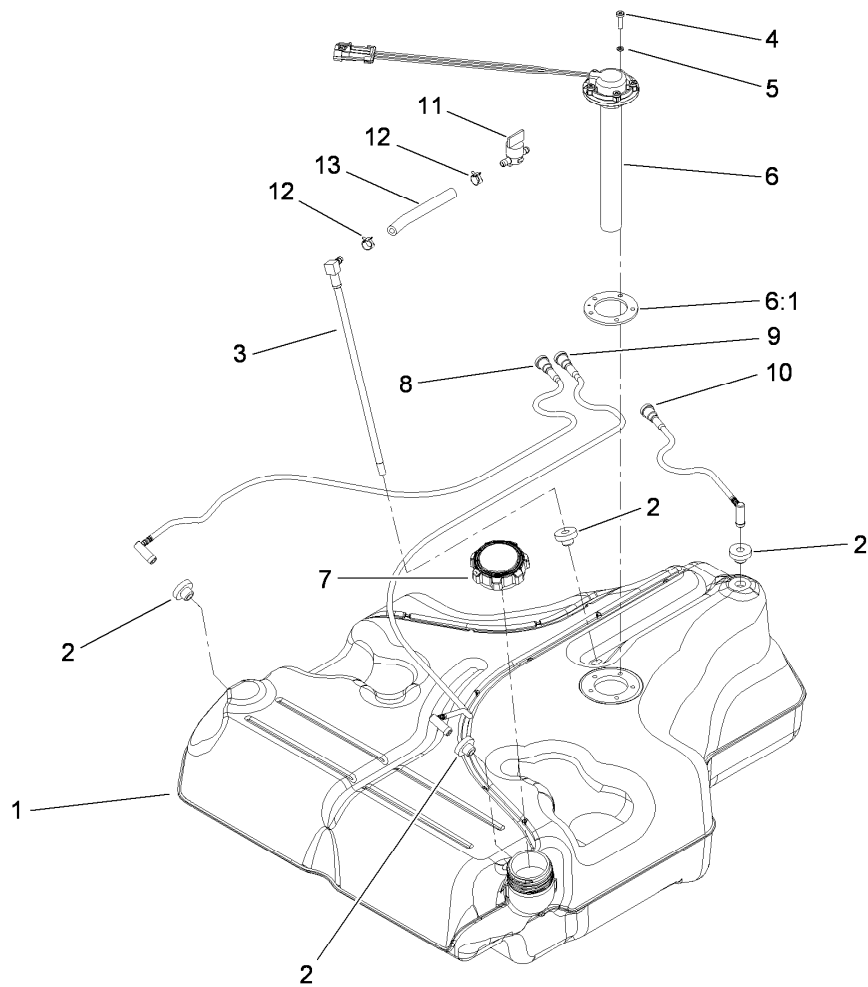
Brake Handle Assembly No. 117-0383

<i>Ref.</i>	<i>Part Number</i>	<i>Qty.</i>	<i>Description</i>
1	99-5107	1	Nut-Lock
2	117-0380	1	Spacer
3	115-3580	1	Arm-Brake, LH
4	117-0376	1	Spring-Torsion, RH
5	115-3574	1	Plate-Latch
6	104-7201	1	Nut-HF
7	117-0382-03	1	Brake Handle ASM
8	114-1207	1	Washer-Special
9	114-8187	1	Spring-Compression
10	115-3581	1	Rod-Release, Brake
11	115-3592	1	Grip
12	112-8387	1	Bolt-Shoulder
13	117-0375	1	Spring-Torsion, LH
14	115-3579	1	Arm-Brake, RH
15	117-0379	1	Bolt-Shoulder
16	117-0378	1	Washer
17	115-2750	1	Knob



Fuel System Assembly

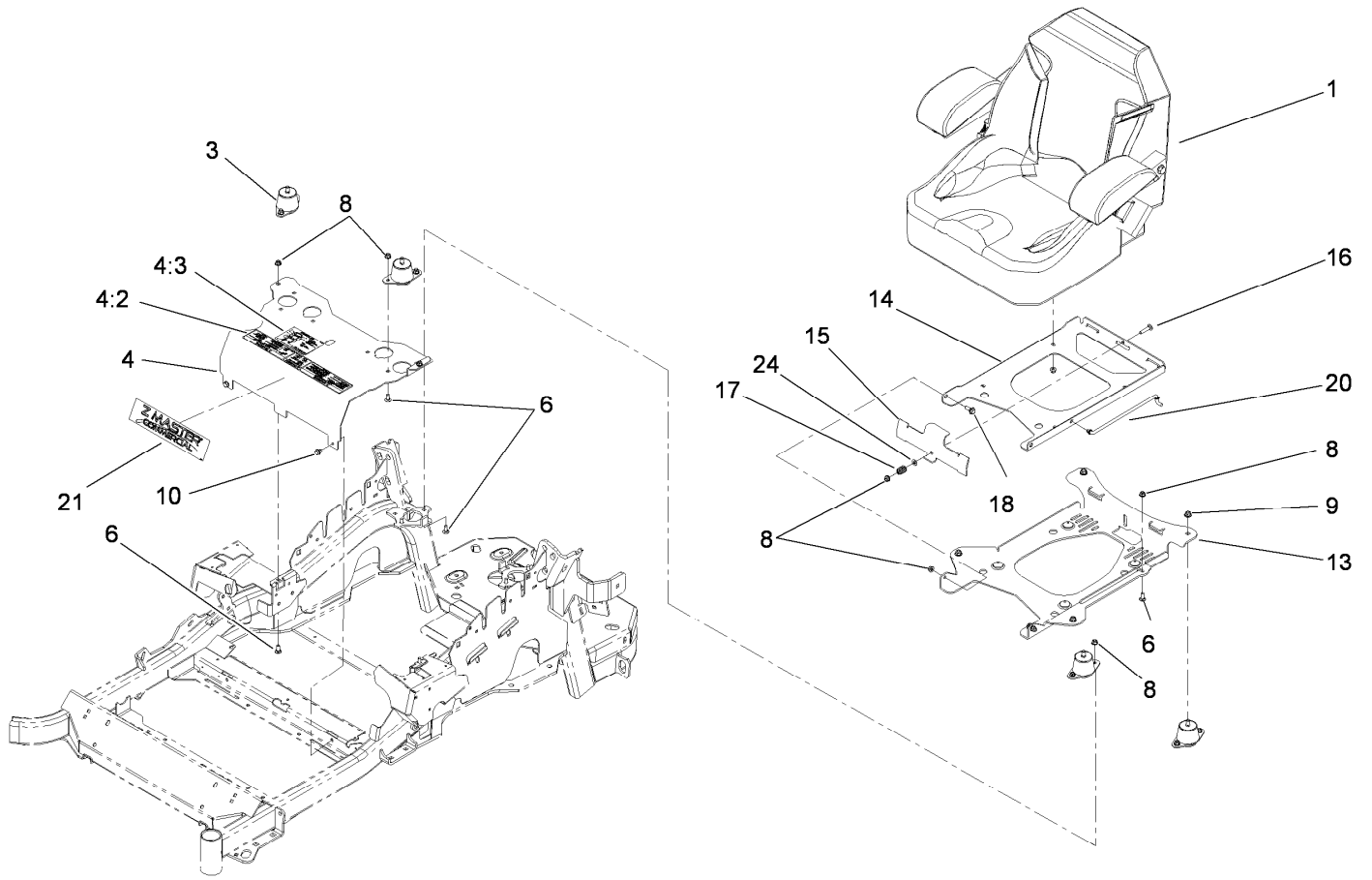
<i>Ref.</i>	<i>Part Number</i>	<i>Qty.</i>	<i>Description</i>
1	109-9656	1	Fuel Tank ASM (W/O Sender)
1	109-9357	1	Fuel Tank ASM
6	32128-33	2	Nut-HF
11	109-2365	2	Bumper-Rubber (W/Stud)
23	109-9450	1	Tube-Vent, Fuel Drain
24	109-9491	1	Fuel Manifold Vent ASM
25	105-1853	1	Clamp-Hose



Fuel Tank Assembly No. 109-9357

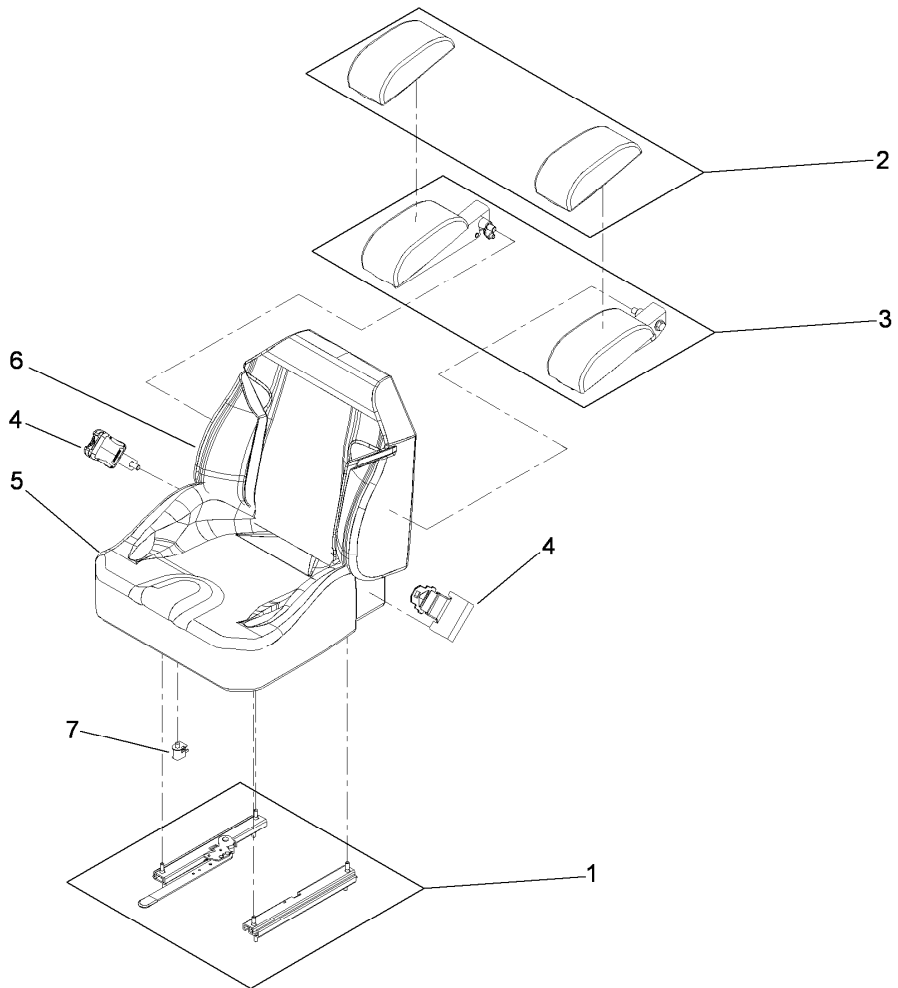
Ref.	Part Number	Qty.	Description
1		1	Tank-Fuel, Belly ●
2	46-6560	4	Bushing
3	109-9364	1	Fitting-Fuel (W/Line And Screen)
4	9107944	5	Screw-Pan
5	3253-17	5	Washer-Lock
6	116-0003	1	Sender-Fuel Level
6:1	109-9620	1	Gasket-Sender, Fuel
7	109-9619	1	Cap-Fuel
8	109-9447	1	Tube-Vent, RH
9	109-9448	1	Tube-Vent, LH
10	109-9449	1	Tube-Vent, Rear
11	1-603770	1	Valve-Fuel
12	2412-98	2	Clamp
13	109-0650	1	Hose-Fuel

● Not serviced separately



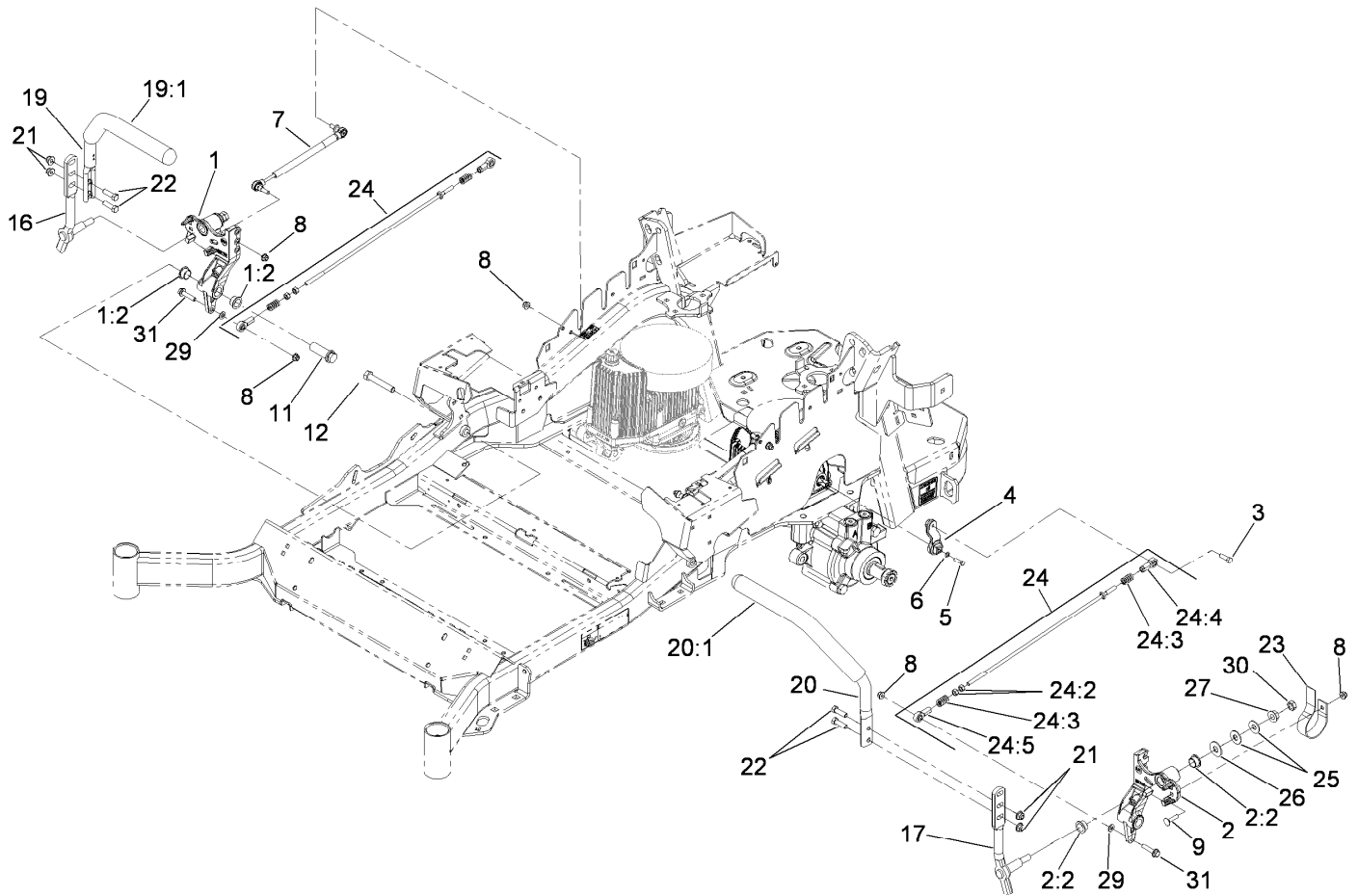
Seat Mounting Assembly

<i>Ref.</i>	<i>Part Number</i>	<i>Qty.</i>	<i>Description</i>
1	116-0035	1	Seat-Standard
3	109-9034	4	Isolator-Seat
4	109-9036	1	Mount-Seat
4:2	109-7069	1	Decal-Console
4:3	116-0211	1	Decal-Service Aid
6	3230-23	11	Screw-CARR
8	104-8300	18	Nut-Flange, NI
9	104-8301	4	Nut-Flange, NI
10	9266934	2	Screw
13	116-0181-03	1	Plate-Support, Seat Tilt
14	116-0179-03	1	Plate-Frame, Seat Tilt
15	109-9881-03	1	Plate-Latch, Seat
16	3230-4	1	Screw-CARR
17	107-3017	1	Spring-Compression
18	99-5284	2	Screw-Shoulder
20	116-0070	1	Rod-Prop
21	114-5878	1	Decal-Dash
24	3256-23	1	Washer-Flat



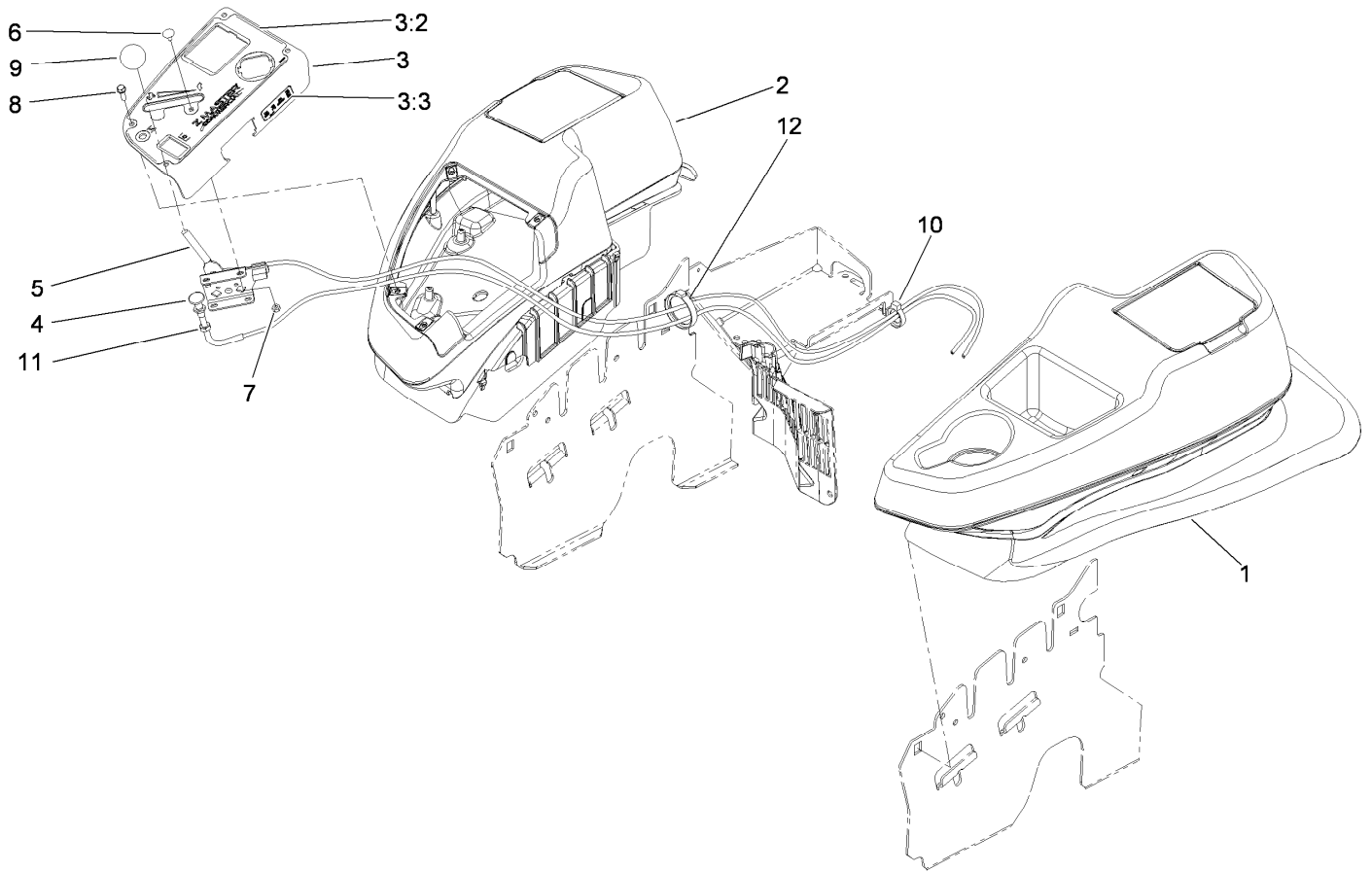
Seat Assembly No. 116-0035

<i>Ref.</i>	<i>Part Number</i>	<i>Qty.</i>	<i>Description</i>
1	109-9801	1	Seat Track Set
2	109-9802	1	Arm Rest Pad Set
3	109-9803	1	Arm Rest Set
4	109-9805	1	Seat Belt Kit
5	109-9806	1	Cover-Cushion
6	109-9808	1	Cover-Back
7	82-2190	1	Switch-Bail



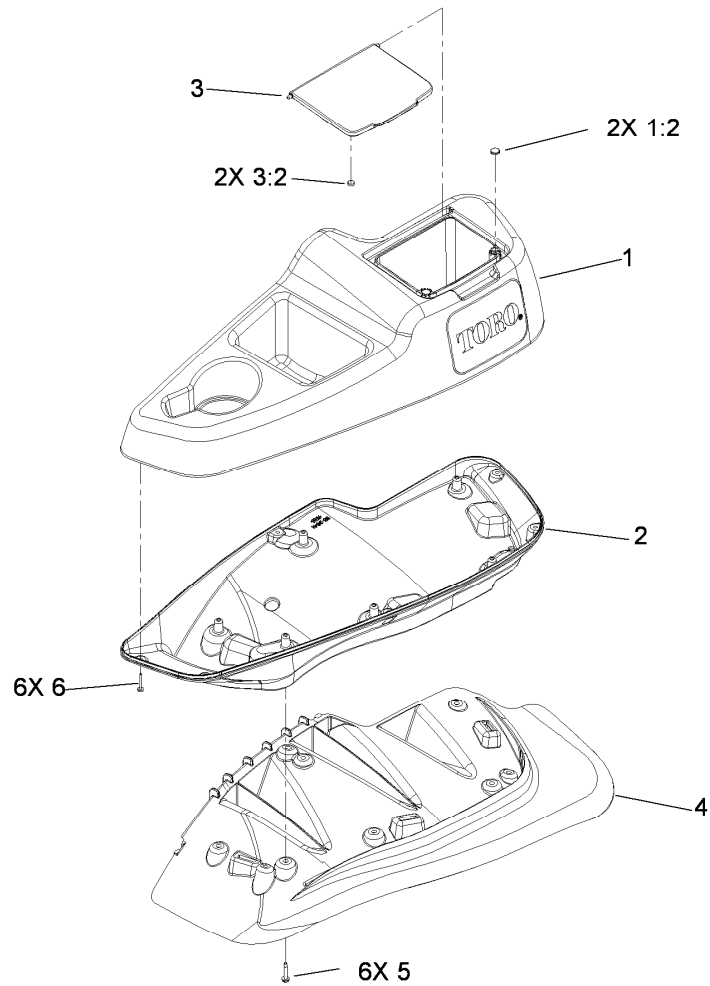
Motion Control Assembly

<i>Ref.</i>	<i>Part Number</i>	<i>Qty.</i>	<i>Description</i>	<i>Ref.</i>	<i>Part Number</i>	<i>Qty.</i>	<i>Description</i>
1	116-0880	1	RH Motion Control And Bushing ASM	19:1	106-9987	1	Grip-Control, Motion
1:2	109-8054	4	Bushing-Flange	20	109-6592	1	LH Steering Handle ASM
2	116-0881	1	LH Motion Control And Bushing ASM	20:1	106-9987	1	Grip-Control, Motion
2:2	109-8054	4	Bushing-Flange	21	104-8301	4	Nut-Flange, NI
3	116-0648	2	Screw-Thread Locking	22	323-7	4	Screw-HH
4	109-4581	2	Arm-Control, Pump	23	109-5575	2	Spring-Leaf
5	9080046	2	Screw-HH	24	109-8106	2	Front Pump Linkage ASM
6	1-303435	2	Washer-Spring	24:2	3219-2	2	Nut-Hex
7	116-0027	2	Damper-Control, Motion	24:3	1-323245	2	Spring-Compression
8	104-8300	8	Nut-Flange, NI	24:4	1-633152	1	Balljoint-LH
9	3230-2	2	Bolt-CARR	24:5	1-543017	1	Balljoint-RH
11	109-5891	2	Hub-Threaded	25	109-9505	4	Washer-Spring
12	325-12	2	Screw-HH	26	3256-6	2	Washer-Flat
16	116-0039	1	Lever-Control Motion, RH	27	32128-23	2	Nut-HF
17	116-0040	1	Lever-Control Motion, LH	29	3256-23	2	Washer-Flat
19	109-6591	1	RH Steering Handle ASM	30	3218-5	2	Nut-Jam
				31	115-1794	2	Screw-HHF



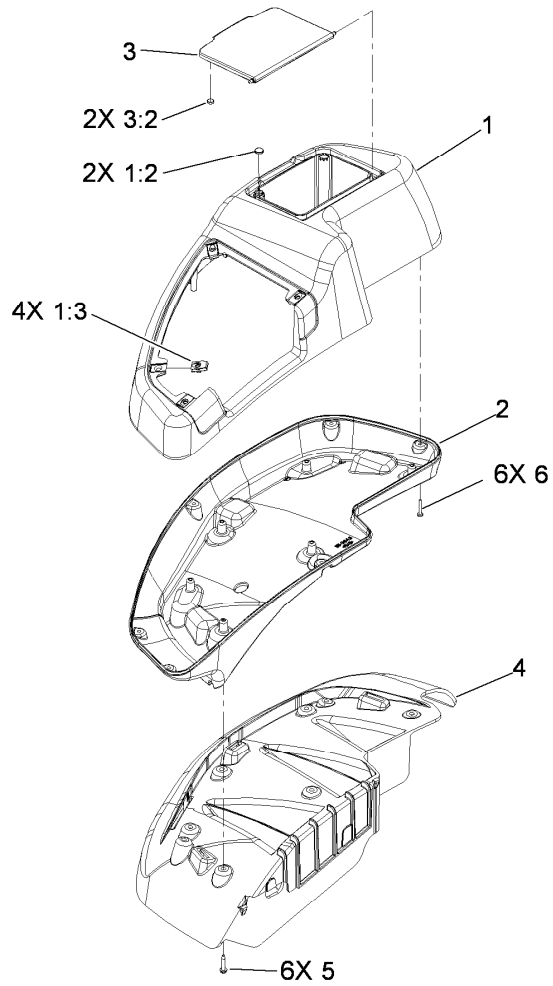
Fender, Console and Control Assembly

<i>Ref.</i>	<i>Part Number</i>	<i>Qty.</i>	<i>Description</i>
1	115-7401	1	LH Wide Fender/Console ASM
2	115-7400	1	RH Wide Fender/Console ASM
3	114-9836	1	Control Panel ASM
3:2	114-9834	1	Decal-Panel, Control
3:3	114-4466	1	Decal-Fuses
4	115-2753	1	Choke Control ASM
5	110-5727	1	Control-Throttle ASM
6	1-807513	2	Bolt-CARR
7	3296-2	2	Nut-Lock, NI
8	32105-15	4	Screw
9	1-603175	1	Knob-Ball
10	105-1853	1	Clamp-Hose
11	3220-3	1	Nut-HJ
12	117-7817	1	Clamp-Harness



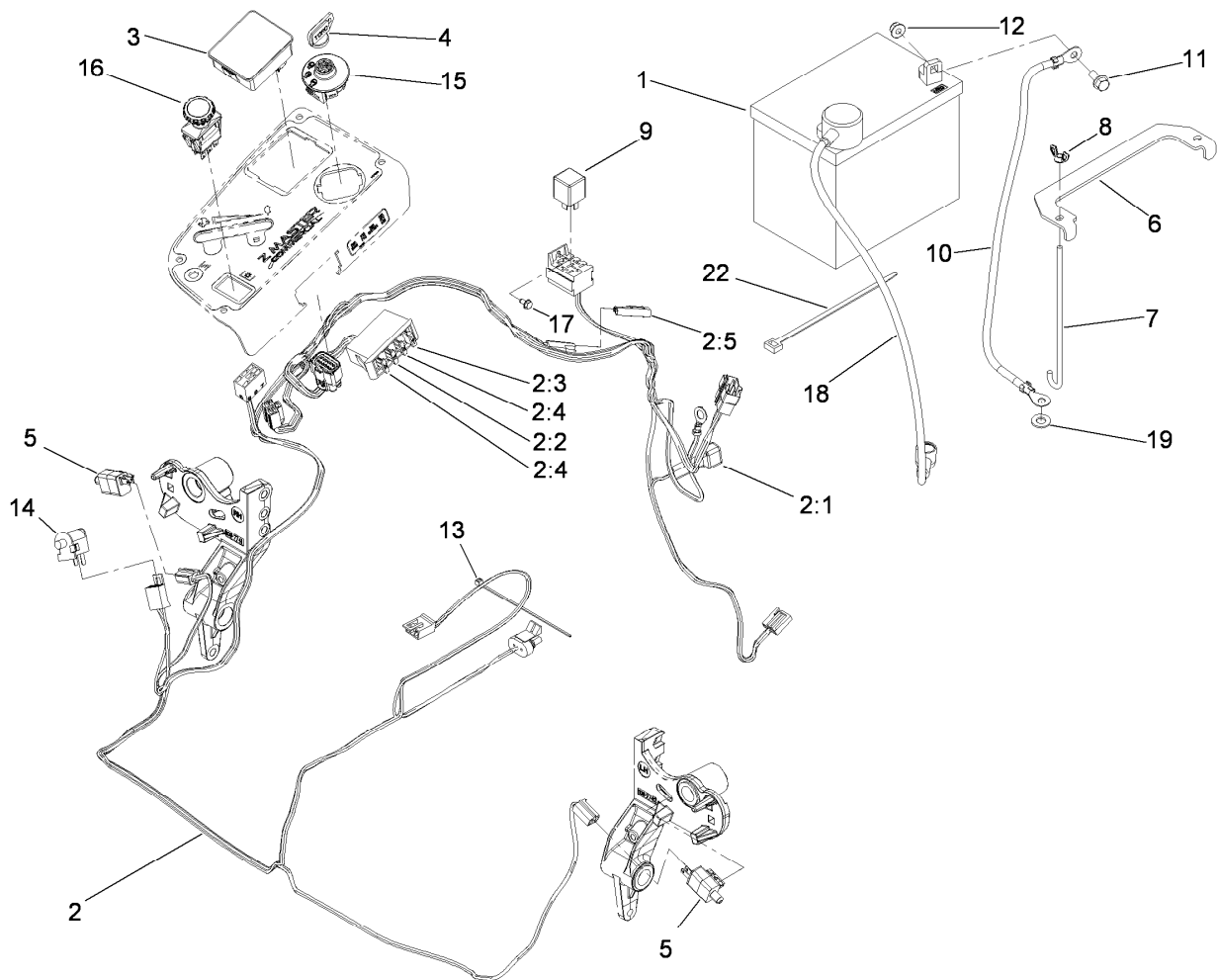
LH Console Assembly No. 115-7401

<i>Ref.</i>	<i>Part Number</i>	<i>Qty.</i>	<i>Description</i>
1	114-1539	1	LH Wide Console Top ASM
1:2	117-0883	2	Puck
2	115-3641	1	Console-Lwr, LH Wide
3	114-1537	1	Wide Lid ASM
3:2	114-5896	2	Magnet
4	109-9085	1	Fender-Wide, LH
5	32144-89	6	Screw-Thread Forming
6	117-0347	6	Screw-Fillister Head



RH Console Assembly No. 115-7400

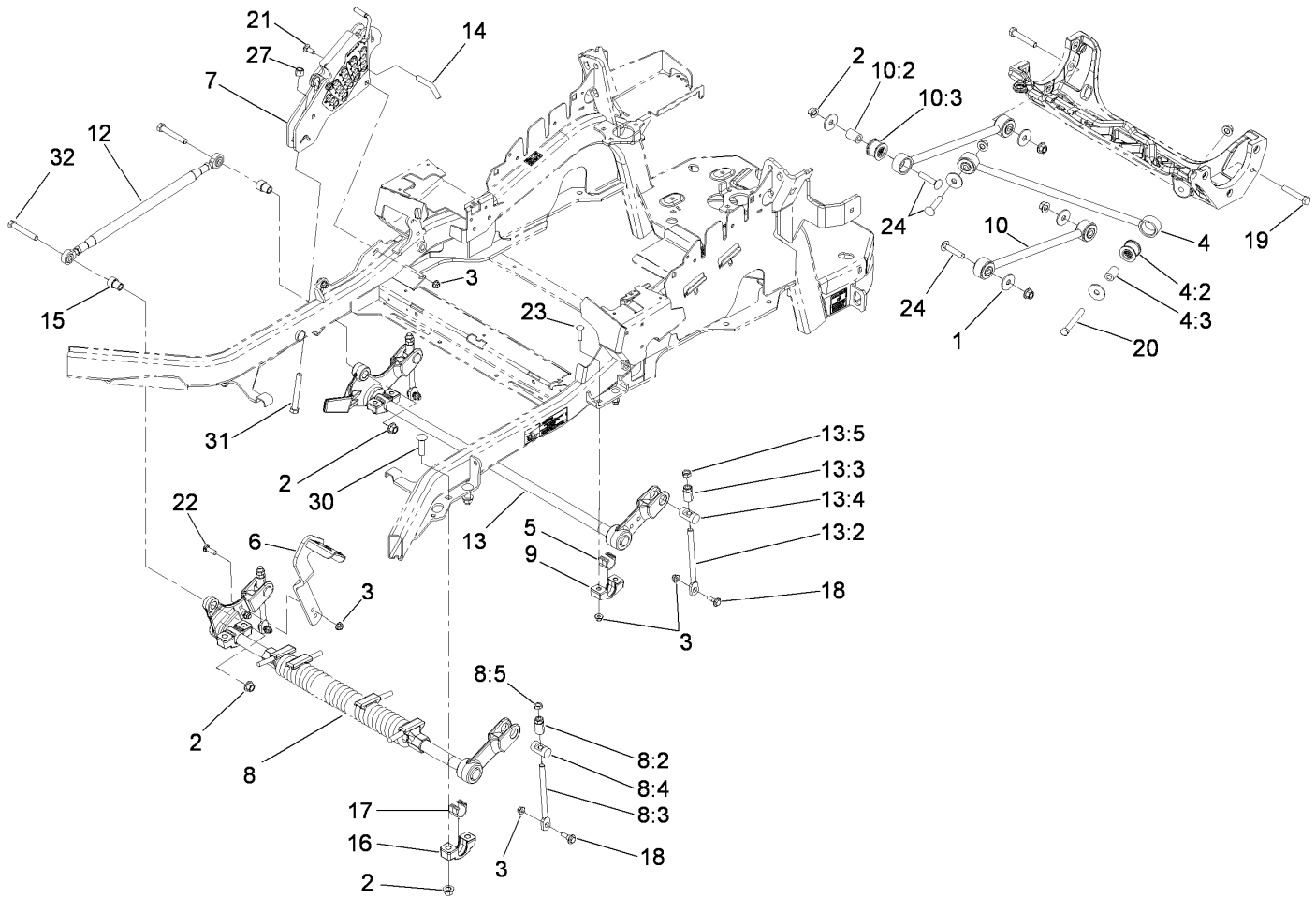
<i>Ref.</i>	<i>Part Number</i>	<i>Qty.</i>	<i>Description</i>
1	114-1538	1	RH Wide Top Console ASM
1:2	117-0883	2	Puck
1:3	107069	4	Clip
2	115-3643	1	Console-Lwr, RH Wide
3	114-1537	1	Wide Lid ASM
3:2	114-5896	2	Magnet
4	109-9083	1	Fender-Wide, RH
5	32144-89	6	Screw-Thread Forming
6	117-0347	6	Screw-Fillister Head



Electrical System Assembly

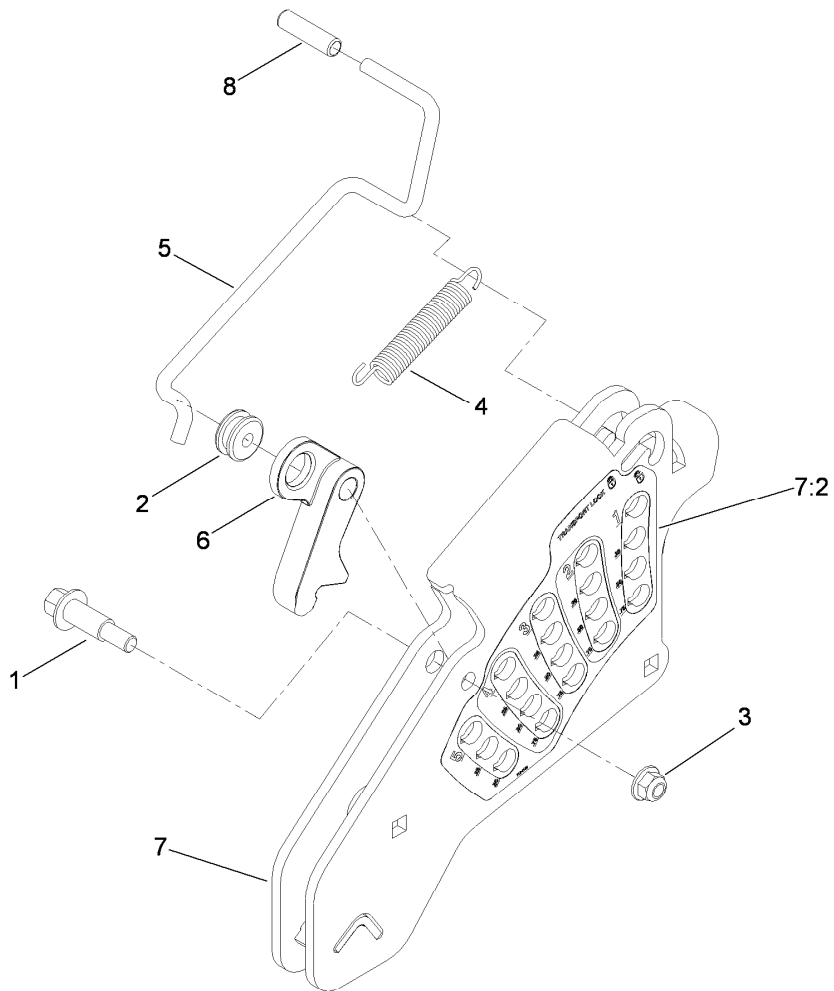
<i>Ref.</i>	<i>Part Number</i>	<i>Qty.</i>	<i>Description</i>
1	104-2491	1	Battery
2	115-2796	1	Harness-Wire, Main
2:1	103-3895	1	Diode-Tvs
2:2	218-578	1	Fuse-10 Amp
2:3	109355	1	Fuse-15 Amp
2:4	109102	2	Fuse-25 Amp
2:5	116-0053	1	Cap-Plug
3	116-0916	1	Module-Meter, Hour
4	63-8360	1	Key-Ignition
5	110-6765	2	Switch-Single Pole No
6	116-0042-03	1	Strap-Tie Down, Battery
7	1-633651	2	Bolt-Holddown
8	1-543792	2	Wingnut

<i>Ref.</i>	<i>Part Number</i>	<i>Qty.</i>	<i>Description</i>
9	1-643275	1	Relay
10	114-1218	1	Cable-Battery, Negative
11	3234-5	2	Screw-HHF
12	104-8300	2	Nut-Flange, NI
13	1-303287	3	Tie-Cable
14	82-2190	1	Switch-Bail
15	116-0229	1	Switch-Ignition
16	116-0124	1	Switch-PTO, 10A
17	104-2065	1	Screw-HWH
18	115-3864	1	Cable-Battery, Positive
19	3256-24	1	Washer-Flat
22	1-303335	1	Tie-Plastic



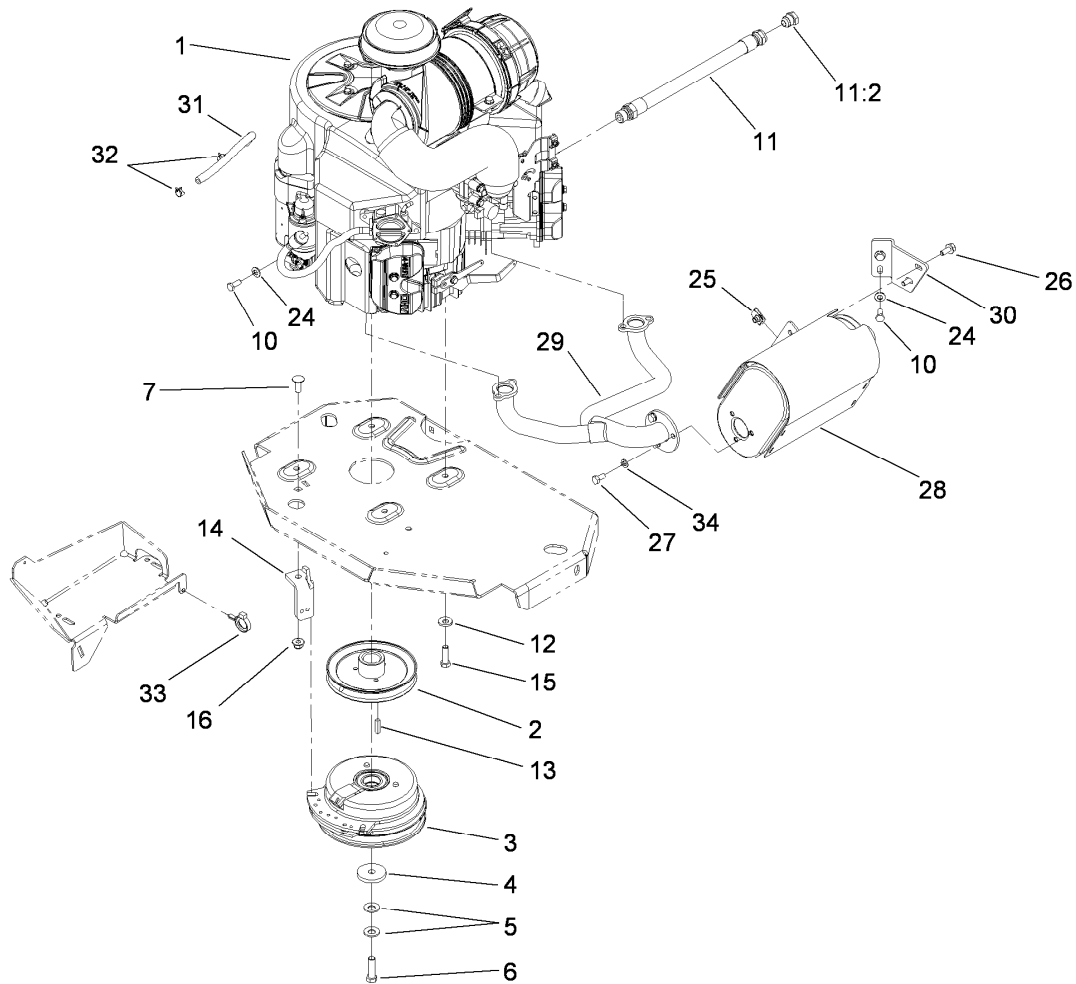
Deck Lift Assembly

Ref.	Part Number	Qty.	Description	Ref.	Part Number	Qty.	Description
1	86-1990	6	Washer	13	116-0362	1	Rear Deck Lift ASM
2	99-5107	12	Nut-Lock	13:2	109-8007	2	Link-Adjuster, Deck Lift
3	104-8301	12	Nut-Flange, NI	13:3	109-7840	2	Adjuster-Lift, Deck
4	109-5013	1	Panhard Rod ASM	13:4	109-8353	2	Trunnion
4:2	109-5009	2	Bushing-Suspension, Rubber	13:5	3218-5	2	Nut-Jam
4:3	109-5010	2	Spacer	14	109-8757	1	Pin-HOC
5	109-7173	2	Bearing-Cross, Rear Shaft	15	116-0795	2	Bushing-Flange
6	109-8737-01	1	Pedal-Foot	16	109-9409	2	Support-Cross Shaft, Bearing Front
7	109-7438	1	Height-Of-Cut ASM	17	109-9410	2	Bearing-Shaft Front, Cross
8	116-0358	1	Front Deck Lift ASM	18	109-9840	4	Screw-Shoulder, HHF
8:2	109-7840	2	Adjuster-Lift, Deck	19	325-12	2	Screw-HH
8:3	109-8007	2	Link-Adjuster, Deck Lift	20	325-17	1	Screw-HH
8:4	109-8353	2	Trunnion	21	3231-2	2	Screw-CARR
8:5	3218-5	2	Nut-Jam	22	3231-28	2	Screw-CARR
9	109-7171-03	2	Support-Bearing, Cross Shaft	23	3231-4	4	Screw-CARR
10	109-7952	2	Deck Strut ASM	24	3233-34	3	Screw-CARR
10:2	109-5009	2	Bushing-Suspension, Rubber	27	3296-23	1	Nut-Lock, NI
10:3	109-5010	2	Spacer	30	3233-37	4	Screw-CARR, Short Neck
12	116-0806	1	Side Link ASM	31	116-0559	1	Bolt-TAP
				32	325-13	2	Screw-HH



Height-of-Cut Assembly No. 109-7438

<i>Ref.</i>	<i>Part Number</i>	<i>Qty.</i>	<i>Description</i>
1	62-1330	1	Bolt-Shoulder
2	109-7130	1	Grommet
3	104-8301	1	Nut-Flange, NI
4	109-7124	1	Spring-Extension
5	109-7128	1	Rod-Lock, Transport
6	116-0118	1	Pawl-Transport, HOC
7	109-7335	1	HOC Plate ASM
7:2	116-0752	1	Decal-HOC
8	109-8250	1	Grip-Lever



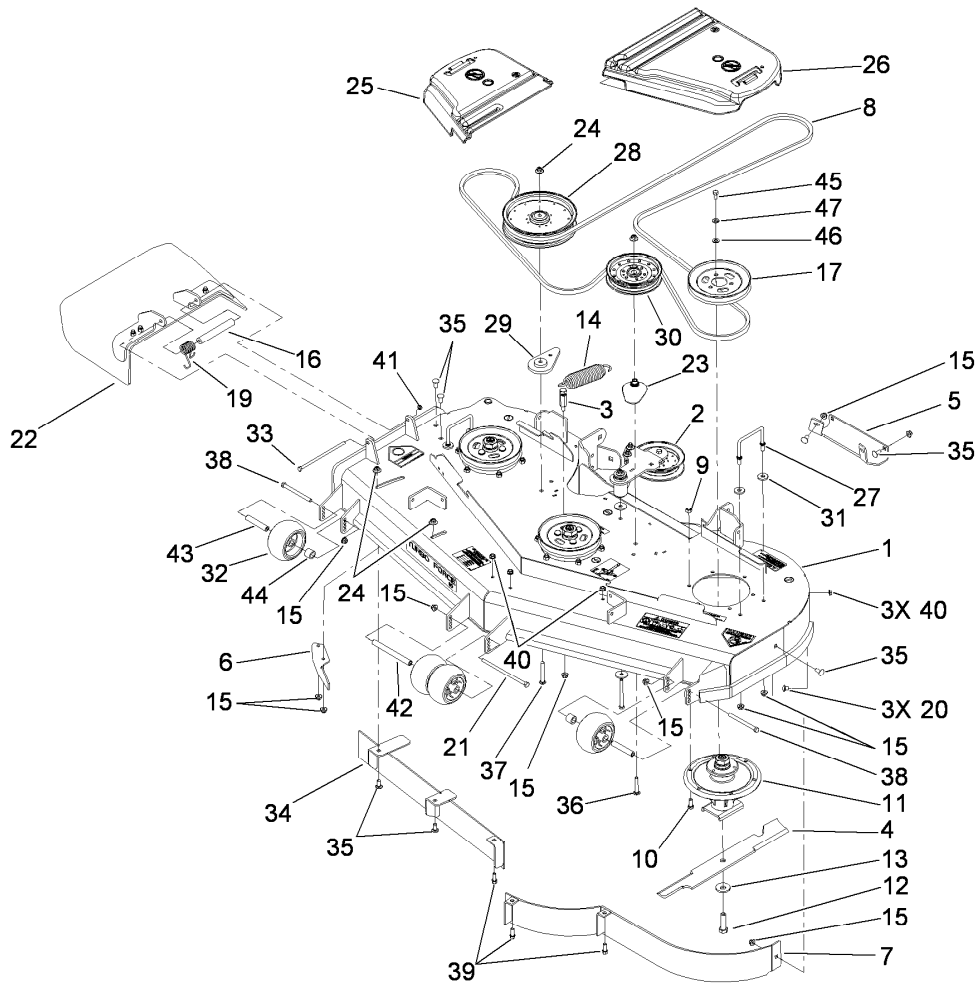
Engine, Muffler and Clutch Assembly

Ref.	Part Number	Qty.	Description
1		1	Engine-Kawasaki, Fx801V-As04 ●■
2	109-9905	1	Sheave
3	109-9282	1	Clutch
4	109-6919	1	Washer-Clutch
5	1-603610	2	Washer-Spring
6	109-9761	1	Screw-HH W/Loctite
7	3231-22	1	Screw-CARR
10	33114-020	3	Screw-HH
11	109-4490	1	Oil Drain Hose ASM
11:2	109-1012	1	Plug
12	98-5975	4	Washer-Belleville
13	1-807259	1	Key
14	109-8138-01	1	Anchor-Clutch

Ref.	Part Number	Qty.	Description
15	323-7	4	Screw-HH
16	104-8301	1	Nut-Flange, NI
24	1-303334	3	Washer-Spring
25	94-2413	2	U-Nut
26	3234-5	2	Screw-HHF
27	322-2	3	Screw-HH
28	109-9280	1	Muffler-Engine
29	109-9250	1	Manifold-Exhaust
30	116-0203	1	Bracket-Muffler
31	109-0296	1	Hose-Fuel
32	2412-98	2	Clamp
33	105-1853	1	Clamp-Hose
34	3253-4	3	Washer-Lock

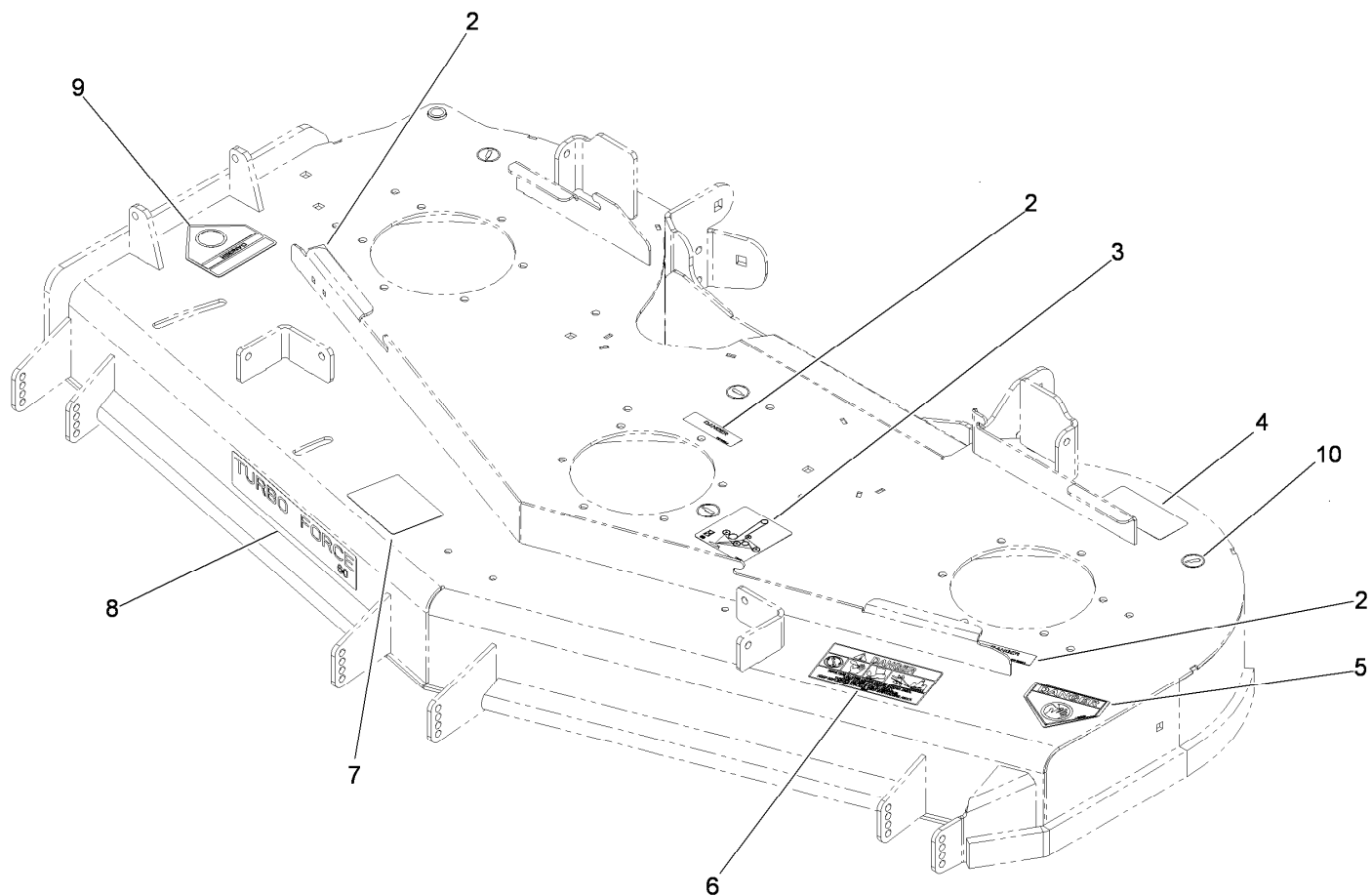
● Not serviced separately

■ Obtain parts from www.kawpowerepc.com



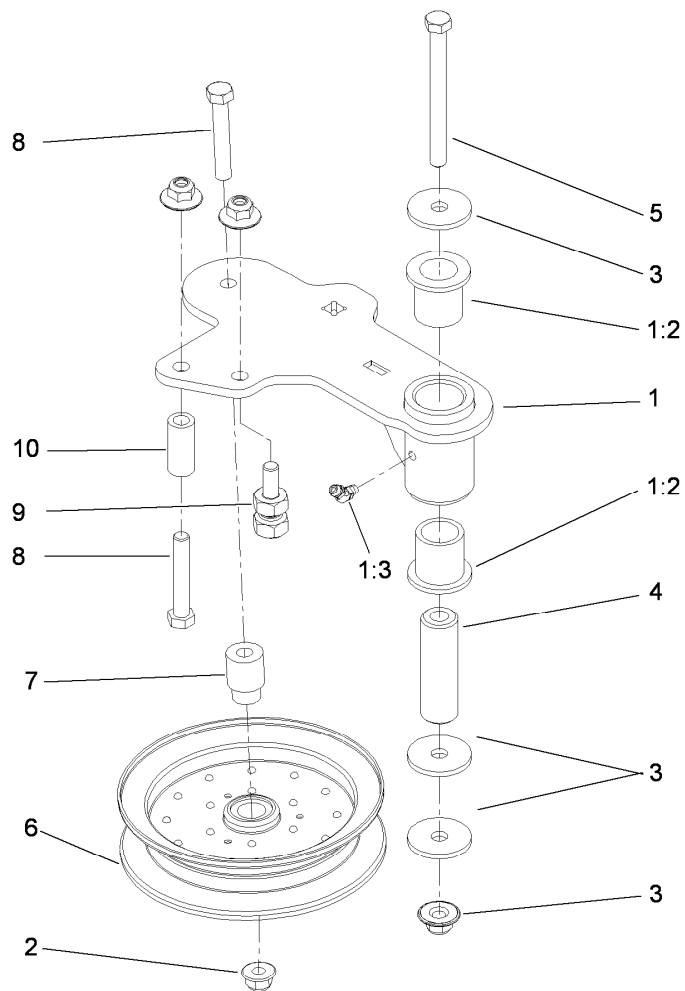
Deck Assembly

<i>Ref.</i>	<i>Part Number</i>	<i>Qty.</i>	<i>Description</i>	<i>Ref.</i>	<i>Part Number</i>	<i>Qty.</i>	<i>Description</i>
1	114-5815	1	Deck Decal ASM	25	116-0094	1	Cover-Belt, RH
2	114-5875	1	Idler Arm ASM	26	109-6938	1	Cover-Belt, LH
3	114-5867	1	Anchor-Spring, Tall	27	109-6982	2	Wireform-Cover
4	105-7718-03	3	Blade-Hi Flow	28	109-8590	1	Pulley-Idler
5	105-8792-01	1	Plate-Skid	29	109-9416	1	Spacer-Idler
6	106-3216-01	1	Baffle-Discharge	30	114-5895	1	Pulley-Idler, Flat
7	114-5842-01	1	Baffle ASM	31	1-373034	4	Washer
8	114-5858	1	Belt-V	32	1-603299	4	Roller-Scalp, Anti
9	33025-00	18	Nut-Lock	33	322-50	1	Screw-HH
10	33115-025	18	Screw-HH	34	115-7465-01	1	Baffle ASM
11	117-3840	3	Spindle ASM	35	3231-27	9	Screw-CARR
12	51-4060	3	Screw-Blade	36	3231-40	1	Bolt-CARR
13	103-0865	3	Washer-Blade Bolt, Heavy	37	3231-42	1	Screw-CARR
14	116-0133	1	Extension-Spring	38	323-23	2	Screw-HH
15	104-8301	15	Nut-Flange, NI	39	92-1624	3	Screw-HWH
16	105-4622	1	Spacer	40	3290-357	6	Nut-HHF, Whiz
17	105-7734	3	Pulley	41	3296-47	1	Nut-Lock, NI
19	108-4052	1	Spring-Torsion	42	98-5967	1	Spacer-Wheel
20	108-5387	3	Screw-CARR	43	98-7912	2	Tube-Spanner
21	108-5388	1	Screw-HH	44	98-7913	2	Tube-Spacer
22	108-7770	1	Rubber Deflector ASM	45	323-4	9	Screw-HH
23	109-2872	1	Spacer-Pulley	46	3256-24	9	Washer-Flat
24	109-6658	4	Nut-Flange, NI	47	3290-455	9	Washer-Belleville



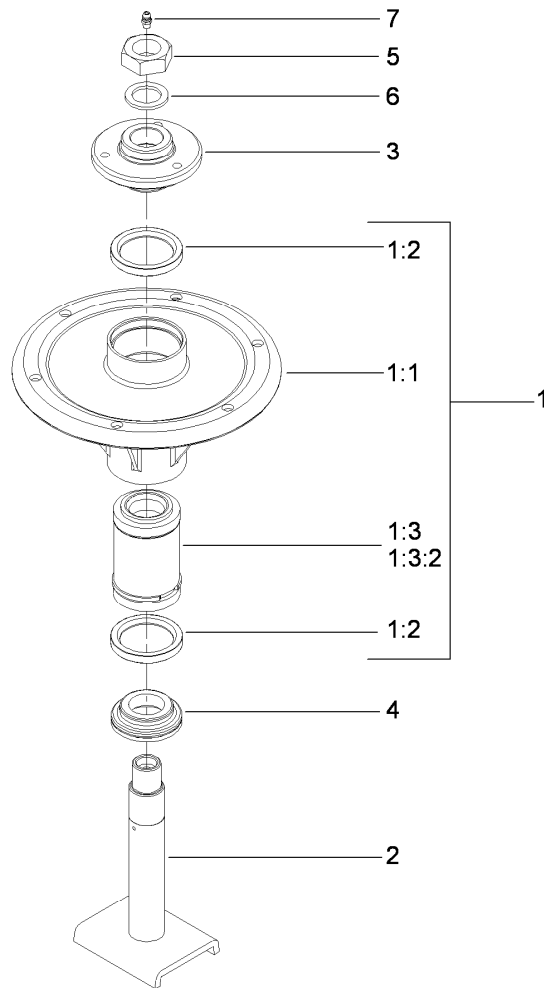
Deck Decal Assembly No. 114-5815

<i>Ref.</i>	<i>Part Number</i>	<i>Qty.</i>	<i>Description</i>
2	98-5954	3	Decal-Cover, Missing
3	115-7445	1	Decal-Routing, Deck Belt
4	68-8340	1	Decal-Torque
5	1-403005	1	Decal-Danger
6	66-1340	1	Decal-Danger, Thrown Object
7	105-7798	1	Decal-Scalp, Anti
8	107-1619	1	Decal
9	54-9220	1	Decal-Danger
10	58-6520	4	Decal-Grease



Idler Assembly

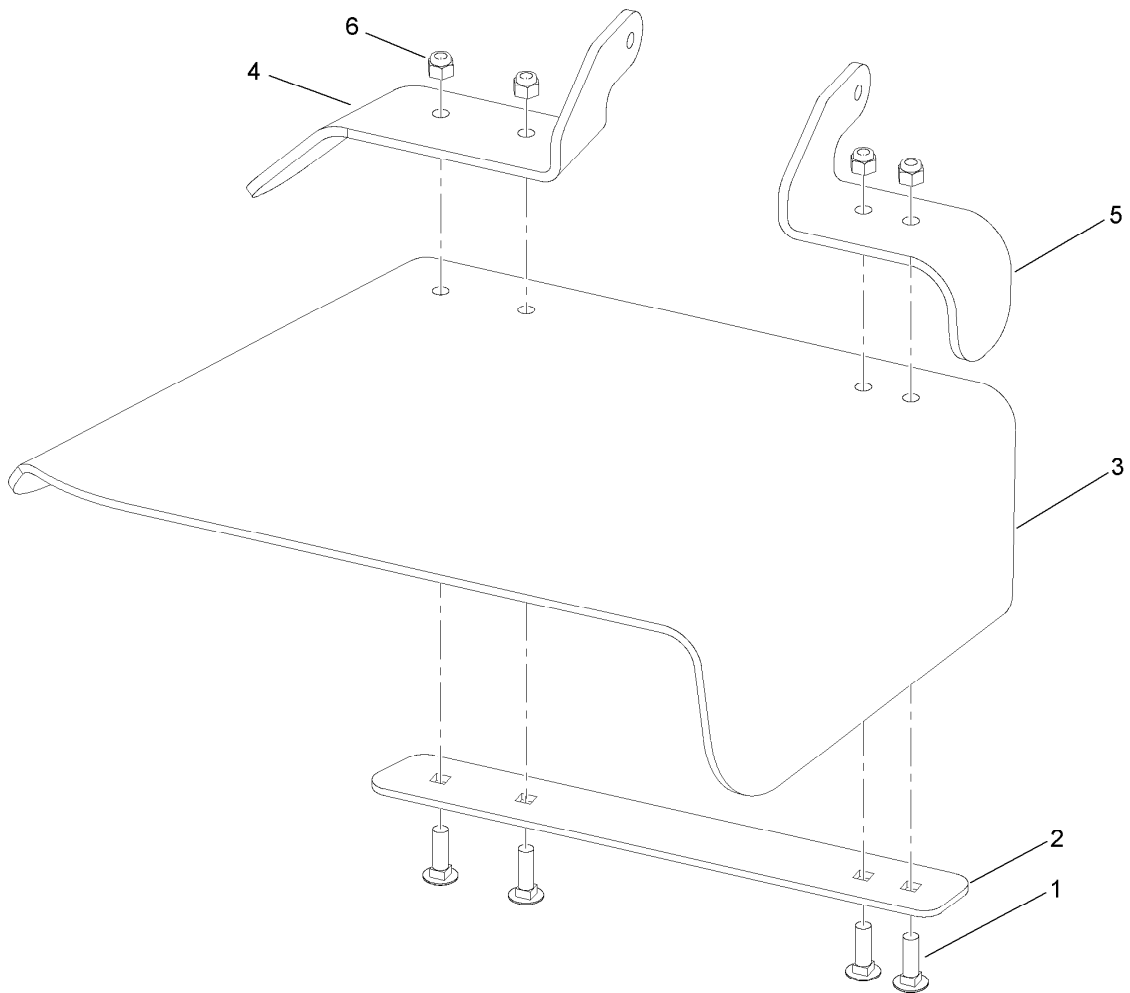
<i>Ref.</i>	<i>Part Number</i>	<i>Qty.</i>	<i>Description</i>
1	114-5870	1	Idler Arm ASM
1:2	1-303514	2	Bearing-Flanged
1:3	1481	1	Fitting-Grease
2	109-6658	4	Nut-Flange, NI
3	1-213069	3	Washer
4	114-5848	1	Spacer-Plain
5	98-5961	1	Screw-HH
6	103-8743	1	Pulley-Idler, Flanged
7	112-4212	1	Mount-Pulley
8	323-11	2	Screw-HH
9	114-5866	1	Anchor-Spring, Short
10	104-0151	1	Spacer



Spindle Assembly No. 117-3840

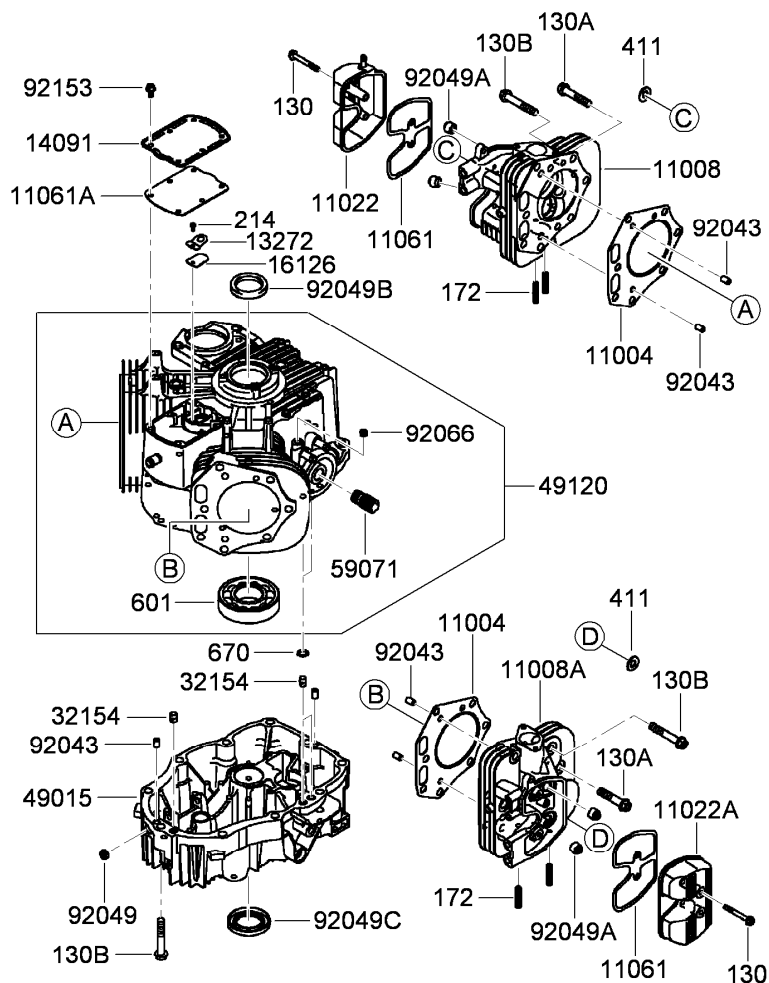
<i>Ref.</i>	<i>Part Number</i>	<i>Qty.</i>	<i>Description</i>
1		1	Spindle Bearing ASM ●
1:1		1	Housing-Spindle ●
1:2	253-154	2	Seal-Oil
1:3	71-2530	1	Bearing/Spacer Kit
1:3:2		1	Spacer-Bearing ●
2	117-3841	1	Spindle Shaft ASM
3	114-1161	1	Hub-Spline
4	69-6950	1	Spacer-Shaft, Spindle
5	3296-49	1	Nut-Lock, NI
6	3-8514	1	Washer-Thrust
7	302-57	1	Fitting-Grease

● Not serviced separately



Rubber Deflector Assembly No. 108-7770

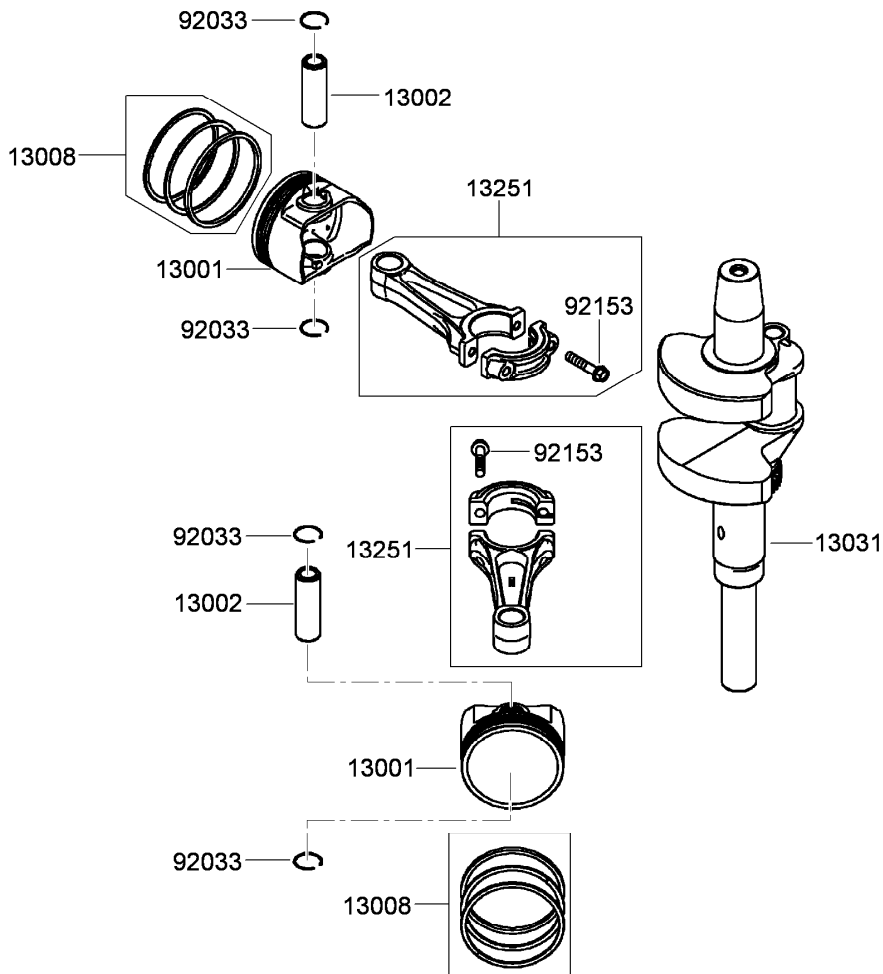
<i>Ref.</i>	<i>Part Number</i>	<i>Qty.</i>	<i>Description</i>
1	3231-25	4	Screw-CARR
2	106-3248-03	1	Strap-Discharge
3	108-5029	1	Deflector-Rubber
4	108-7767-03	1	Bracket-Hinge, Rear
5	108-7766-03	1	Bracket-Hinge, Front
6	3296-39	4	Nut-Lock, NI



Cylinder and Crankcase Assembly Kawasaki FX801V-AS04

Ref.	Part Number	Qty.	Description	Ref.	Part Number	Qty.	Description
130	130AA0650	4	Bolt-Flanged (6X50) ●	14091	14091-7060	1	Cover-Breather ●
130A	130CA1050	2	Bolt-Flanged (10X50) ●	16126	16126-7020	1	Valve-Breather ●
130B	130CA1060	20	Bolt-Flanged (10X60) ●	32154	32154-7019	3	Pipe ●
172	172BA0818	4	Bolt-Stud (8X18) ●	49015	49015-7088	1	Cover-Crankcase ●
214	214AA0408	1	Screw-Pan +-(4X8) ●	49120	49120-7117	1	Crankcase ●
411	411AA1000	2	Washer-Plain (10Mm) ●	59071	59071-2079	1	Joint ●
601	601A6308	1	Bearing-Ball ●	92043	92043-7024	6	Pin ●
670	670B2011	2	O-Ring (11Mm) ●	92049	92049-7005	1	Seal-Oil, S O (8X14X5 H S) ●
11004	11004-7025	2	Gasket-Head ●	92049A	92049-7020	4	Seal-Oil (7X15X13) ●
11008	11008-7036	1	Head-Cylinder, No.1 ●	92049B	92049-7024	1	Seal-Oil, S D (40X54X9 R Hs) ●
11008A	11008-7037	1	Head-Cylinder, No.2 ●	92049C	92049-7026	1	Seal-Oil, S D (40X62X8 L Vs) ●
11022	11022-6007	1	Case-Rocker, No.1 ●	92066	92066-7026	1	Plug ●
11022A	11022-7016	1	Case-Rocker, No.2 ●	92153	92153-7043	6	Bolt (6X12) ●
11061	11061-7080	2	Gasket-Case, Rocker ●				
11061A	11061-7081	1	Gasket-Breather ●				
13272	13272-7004	1	Plate-Breather ●				

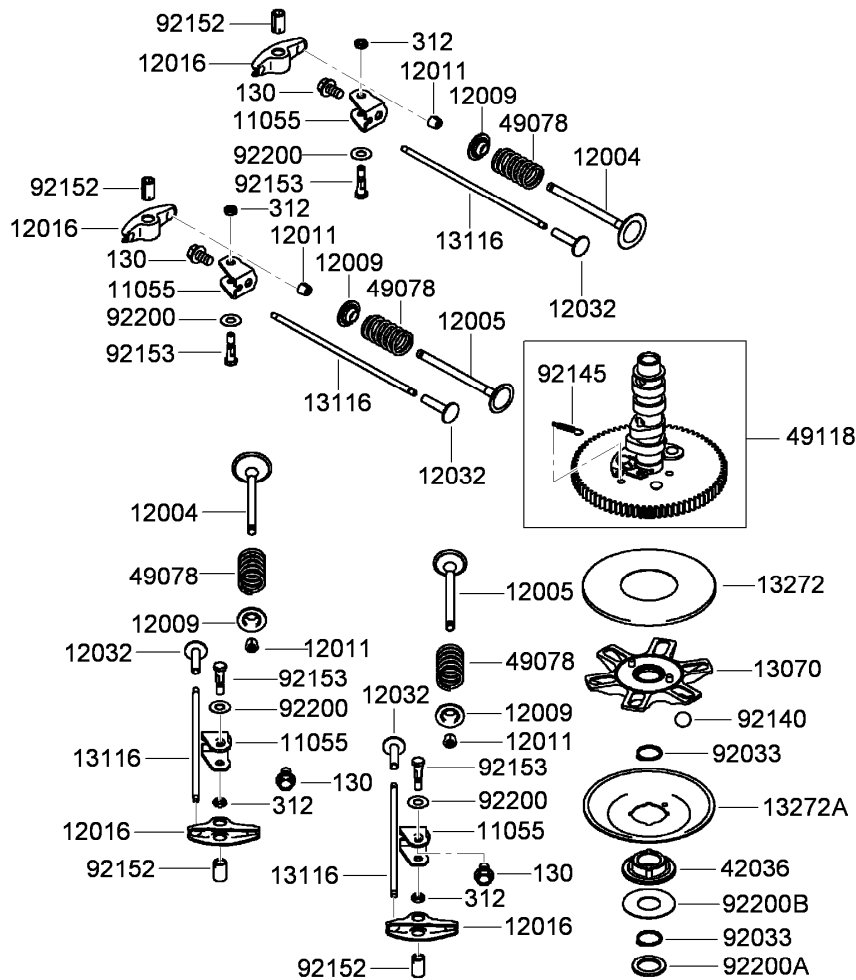
● Obtain parts from www.kawpowerepc.com



Piston and Crankshaft Assembly Kawasaki FX801V-AS04

<i>Ref.</i>	<i>Part Number</i>	<i>Qty.</i>	<i>Description</i>
13001	13001-7025	2	Piston-Engine ●
13002	13002-7005	2	Pin-Piston ●
13008	13008-6069	2	Piston Ring Set ●
13031	13031-7079	1	Crankshaft ●
13251	13251-7019	2	Connecting Rod ASM ●
92033	92033-7013	4	Ring-Snap ●
92153	92153-2054	4	Bolt (7X35.2) ●

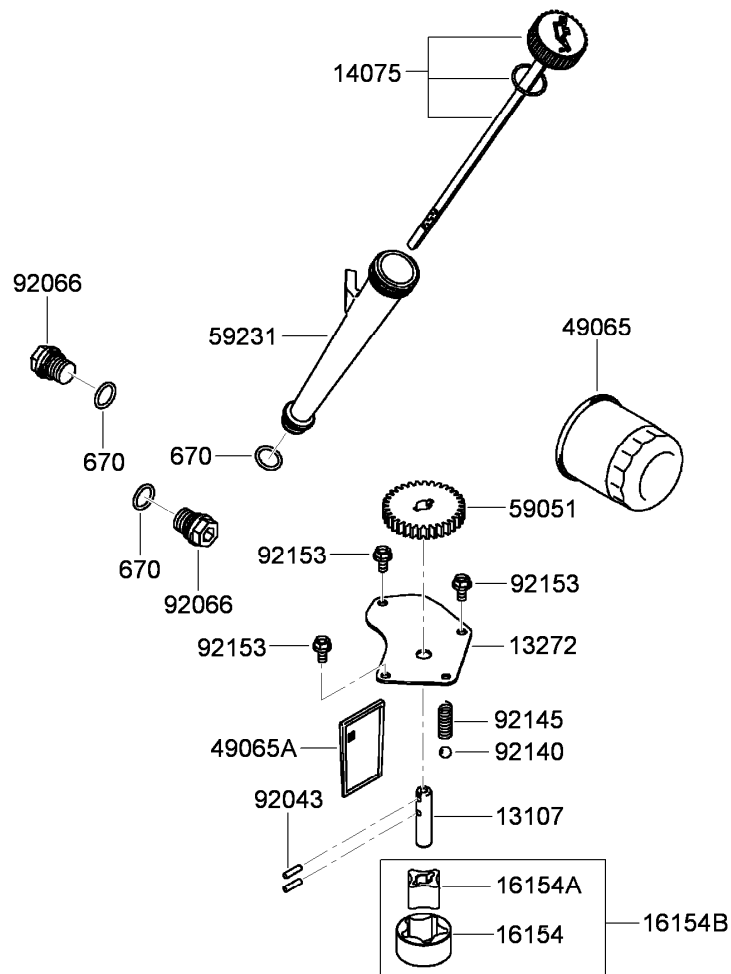
● Obtain parts from www.kawpowerepc.com



Valve and Camshaft Assembly Kawasaki FX801V-AS04

Ref.	Part Number	Qty.	Description
130	130AA0814	4	Bolt-Flanged (8X14) ●
312	312AA0600	4	Nut-Hex (6Mm) ●
11055	11055-7009	4	Bracket ●
12004	12004-7007	2	Valve-Intake ●
12005	12005-7008	2	Valve-Exhaust ●
12009	12009-7002	4	Retainer-Spring, Valve ●
12011	12011-2052	8	Collet ●
12016	12016-7016	4	Arm-Rocker ●
12032	12032-7001	4	Tappet ●
13070	13070-7016	1	Guide ●
13116	13116-7006	4	Rod-Push ●
13272	13272-7002	1	Plate ●
13272A	13272-7003	1	Plate-Governor ●
42036	42036-7019	1	Sleeve ●
49078	49078-7005	4	Spring-Valve, Engine ●
49118	49118-7021	1	Camshaft ●
92033	92033-7012	2	Ring-Snap (Dia 18.5) ●
92140	92140-7005	6	Ball ●
92145	92145-7001	1	Spring ●
92152	92152-7012	4	Collar ●
92153	92153-7100	4	Bolt (6X29.5) ●
92200	92200-2151	4	Washer (8.1X18X0.5) ●
92200A	92200-7044	1	Washer (20.3X29X2.28) ●
92200B	92200-7045	1	Washer (20X46X0.91) ●

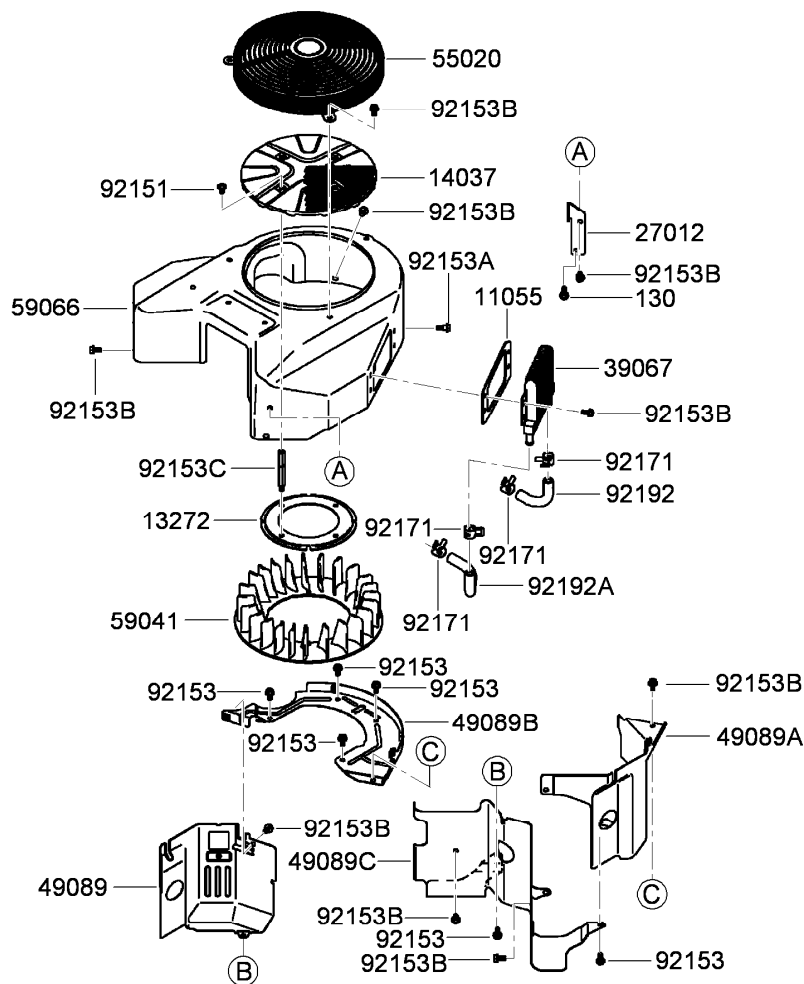
● Obtain parts from www.kawpowerepc.com



Lubrication Equipment Assembly Kawasaki FX801V-AS04

Ref.	Part Number	Qty.	Description
670	670D2016	3	O-Ring (16Mm) ●
13107	13107-7009	1	Shaft ●
13272	13272-7005	1	Plate ●
14075	14075-7012	1	Cap ASM ●
16154	16154-1075	1	Rotor-Pump, Outer ●
16154A	16154-1076	1	Rotor-Pump, Inner ●
16154B	16154-1079	1	Rotor-Pump ●
49065	49065-2078	1	Filter-Oil ●
49065A	49065-7004	1	Filter-Oil ●
59051	59051-7011	1	Gear-Spur ●
59231	59231-7014	1	Filler ●
92043	92043-7003	2	Pin ●
92066	92066-7003	2	Plug ●
92140	92140-7003	1	Ball ●
92145	92145-7002	1	Spring ●
92153	92153-7043	3	Bolt (6X12) ●

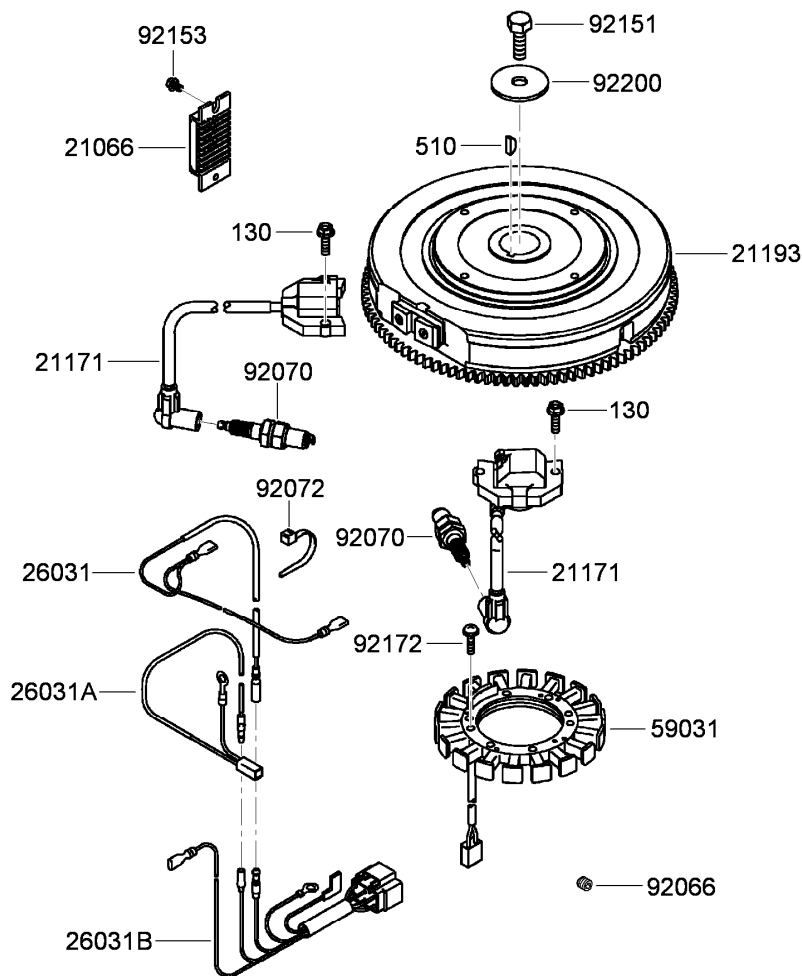
● Obtain parts from www.kawpowerepc.com



Cooling Equipment Assembly Kawasaki FX801V-AS04

Ref.	Part Number	Qty.	Description
130	130AA0620	1	Bolt-Flanged (6X20) ●
11055	11055-7005	1	Bracket ●
13272	13272-7006	1	Plate-Fan ●
14037	14037-7029-9H	1	Screen ●
27012	27012-7006	1	Hook-Lift ●
39067	39067-7007	1	Cooler-Oil ●
49089	49089-7064-753	1	Shroud-Engine, No.1 ●
49089A	49089-7065-753	1	Shroud-Engine, No.2 ●
49089B	49089-7066	1	Shroud-Engine, Rear ●
49089C	49089-7067-753	1	Shroud-Engine, V-Bank ●
55020	55020-7016-9H	1	Guard ●
59041	59041-7013	1	Fan ●
59066	59066-7042-753	1	Housing-Fan ●
92151	92151-7012	4	Bolt (6X12) ●
92153	92153-0010	6	Bolt ●
92153A	92153-7007	1	Bolt ●
92153B	92153-7043	14	Bolt (6X12) ●
92153C	92153-7101	4	Bolt ●
92171	92171-7015	4	Clamp ●
92192	92192-7089	1	Tube ●
92192A	92192-7090	1	Tube ●

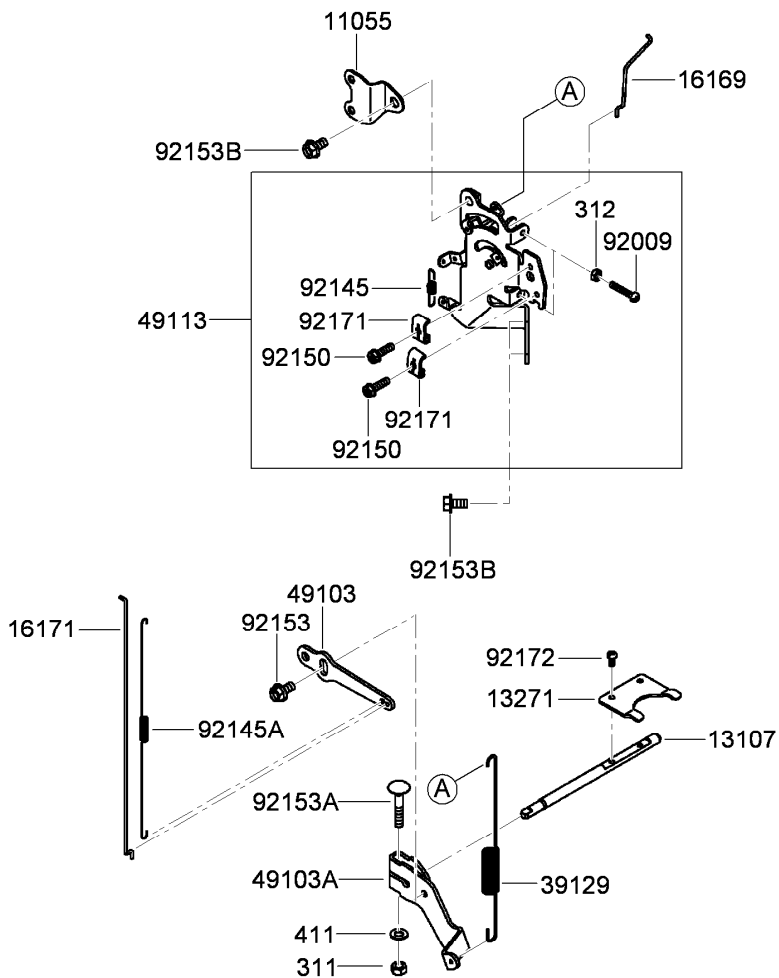
● Obtain parts from www.kawpowerepc.com



Electric Equipment Assembly Kawasaki FX801V-AS04

<i>Ref.</i>	<i>Part Number</i>	<i>Qty.</i>	<i>Description</i>
130	130AA0620	4	Bolt-Flanged (6X20) ●
510	510A5100	1	Key-Woodruff ●
21066	21066-7011	1	Regulator-Voltage ●
21171	21171-7036	2	Ignition Coil ASM ●
21193	21193-7035	1	Flywheel ASM ●
26031	26031-7033	1	Harness ●
26031A	26031-7034	1	Harness ●
26031B	26031-7039	1	Harness ●
59031	59031-7017	1	Coil-Charging ●
92066	92066-7026	1	Plug ●
92070	92070-7004	2	Sparkplug (B P R4 E S (N G K) Solid) ●
92072	92072-7003	3	Band ●
92151	92151-2097	1	Bolt (12X30) ●
92153	92153-7029	2	Bolt ●
92172	92172-7018	4	Screw (5X20) ●
92200	92200-7040	1	Washer (12.2X46X3) ●

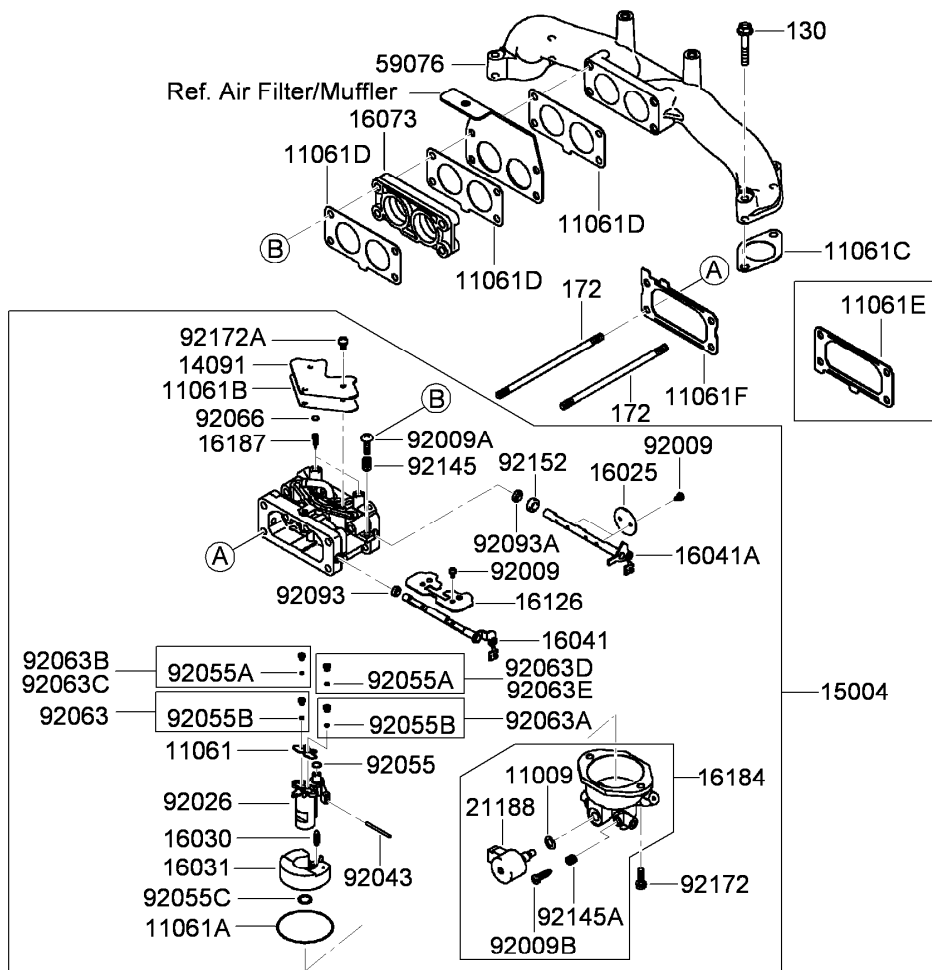
● Obtain parts from www.kawpowerepc.com



Control Equipment Assembly Kawasaki FX801V-AS04

Ref.	Part Number	Qty.	Description
311	311AA0600	1	Nut-Hex (6Mm) ●
312	312AA0500	2	Nut-Hex (5Mm) ●
411	411AA0600	1	Washer-Plain (6Mm) ●
11055	11055-7001	1	Bracket ●
13107	13107-7044	1	Shaft-Governor ●
13271	13271-7038	1	Plate ●
16169	16169-7019	1	Link-Choke ●
16171	16171-7020	1	Link ●
39129	39129-7020	1	Spring-Governor ●
49103	49103-7012	1	Arm-Governor ●
49103A	49103-7013	1	Arm-Governor ●
49113	49113-7046	1	Panel-Control ●
92009	92009-2381	2	Screw (5X30) ●
92145	92145-7044	1	Spring ●
92145A	92145-7055	1	Spring ●
92150	92150-2182	2	Bolt (5X18) ●
92153	92153-0009	1	Bolt (6X12) ●
92153A	92153-7033	1	Bolt (6X35) ●
92153B	92153-7043	3	Bolt (6X12) ●
92171	92171-7018	2	Clamp ●
92172	92172-7033	2	Screw (4X8) ●

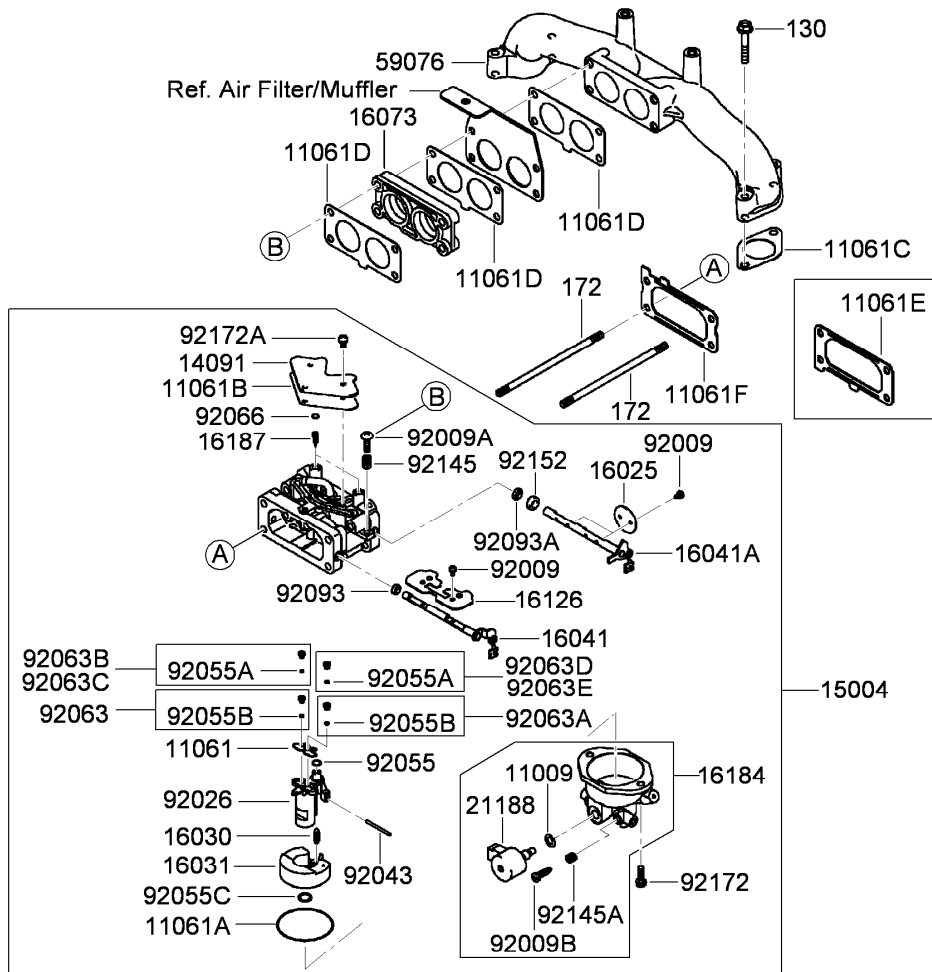
● Obtain parts from www.kawpowerepc.com



Carburetor Assembly Kawasaki FX801V-AS04

Ref.	Part Number	Qty.	Description	Ref.	Part Number	Qty.	Description
130	130AA0635	4	Bolt-Flanged (6X35) ●	16184	16184-7021	1	Float Chamber ASM ●
172	172BA06120	2	Bolt-Stud (6X120) ●	16187	16187-7005	2	Needle-Jet ●
11009	11009-2056	1	Gasket ●	21188	21188-7003	1	Solenoid ●
11061	11061-7037	1	Gasket ●	59076	59076-7013	1	Manifold-Intake ●
11061A	11061-7038	1	Gasket ●	92009	92009-7003	6	Screw ●
11061B	11061-7039	1	Gasket ●	92009A	92009-7004	1	Screw ●
11061C	11061-7070	2	Gasket (Head To Manifold) ●	92009B	92009-7006	1	Screw-Drain ●
11061D	11061-7072	3	Gasket (Carburetor To Manifold) ●	92026	92026-7024	1	Spacer ●
11061E	11061-7078	1	Gasket (Carburetor To Pipe) (This Part May Be Used As Substitute For 11061-7091) ●	92043	92043-7014	1	Pin ●
11061F	11061-7091	1	Gasket (Carburetor To Pipe) ●	92055	92055-7012	1	O-Ring ●
14091	14091-7031	1	Cover ●	92055A	92055-7013	1	O-Ring ●
15004	15004-7044	1	Carburetor ASM ●	92055B	92055-7013	2	O-Ring ●
16025	16025-7010	2	Valve-Throttle ●	92055C	92055-7016	1	O-Ring ●
16030	16030-7004	1	Valve-Float ●	92063	92063-7110	1	Jet-Main, No.118 ●
16031	16031-7003	1	Float ●	92063A	92063-7111	1	Jet-Main, No.120 ●
16041	16041-7039	1	Shaft-Carburetor ●	92063B	92063-7135	1	Jet-Main, No.115 (3280 Ft) ●
16041A	16041-7042	1	Shaft-Carburetor ●	92063C	92063-7136	1	Jet-Main, No.112 (6560 Ft) ●
16073	16073-7011	1	Insulator ●	92063D	92063-7137	1	Jet-Main, No.117 (3280 Ft) ●
16126	16126-7021	1	Valve ●	92063E	92063-7138	1	Jet-Main, No.114 (6560 Ft) ●
				92066	92066-7009	2	Plug-Expansion ●
				92093	92093-7001	1	Seal (I D 5.9) ●
				92093A	92093-7002	1	Seal (I D 6.9) ●
				92145	92145-7010	1	Spring ●
				92145A	92145-7011	1	Spring ●

● Obtain parts from www.kawpowerepc.com

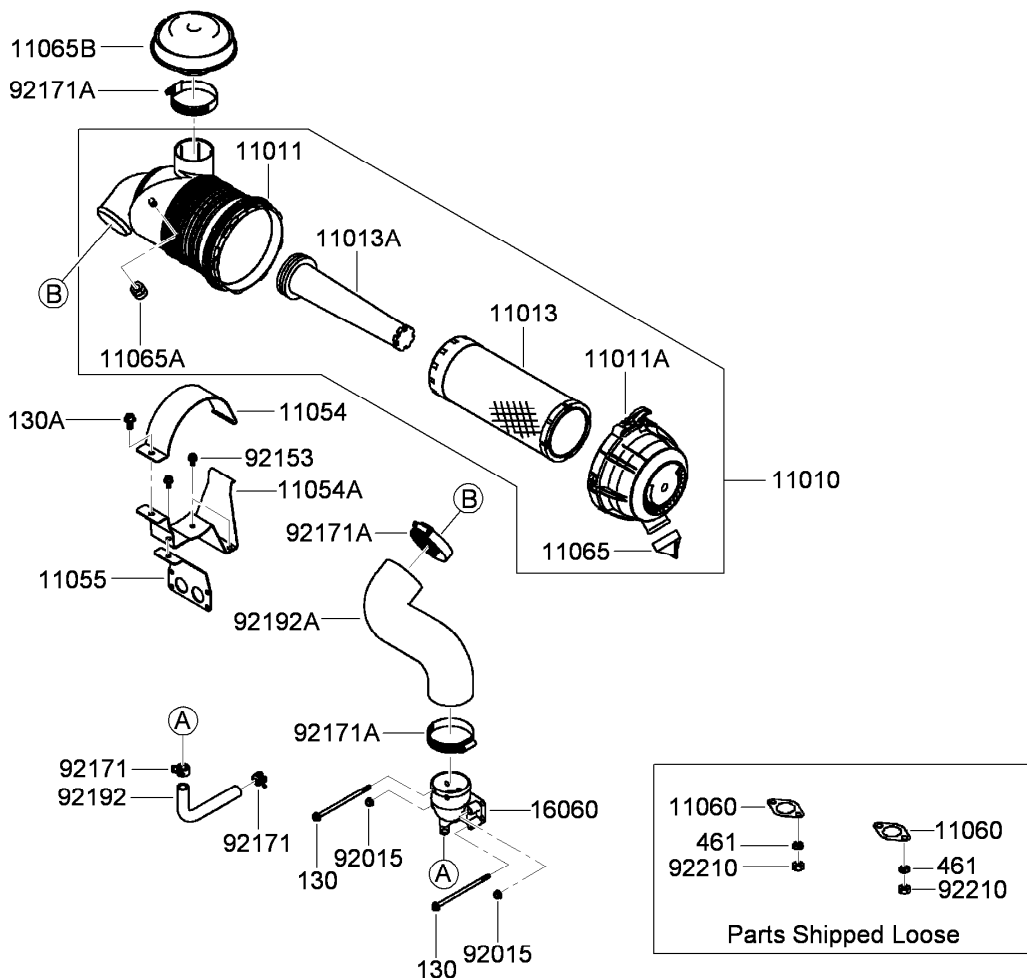


Carburetor Assembly Kawasaki FX801V-AS04 (continued)

Ref.	Part Number	Qty.	Description
92152	92152-7005	1	Collar ●

Ref.	Part Number	Qty.	Description
92172	92172-7005	2	Screw (M5) ●
92172A	92172-7006	3	Screw (M4) ●

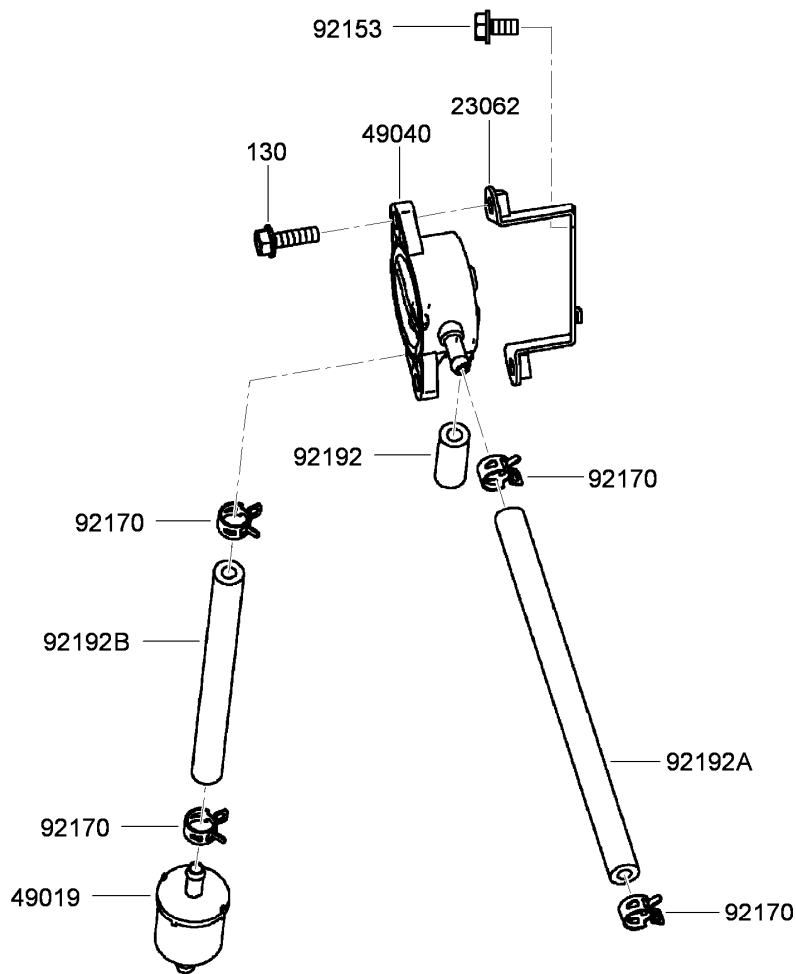
● Obtain parts from www.kawpowerepc.com



Air Filter and Muffler Assembly Kawasaki FX801V-AS04

Ref.	Part Number	Qty.	Description
130	130AA06120	2	Bolt-Flanged (6X120) ●
130A	130AA0816	1	Bolt-Flanged (8X16) ●
461	461DA0800	4	Washer-Spring (8Mm) ●
11010	11010-7020	1	Air Filter ASM ●
11011	11011-7047	1	Case-Filter, Air ●
11011A	11011-7050	1	Case-Filter, Air ●
11013	11013-7038	1	Element-Filter, Air ●
11013A	11013-7039	1	Element-Filter, Air ●
11054	11054-7013-9X	1	Bracket ●
11054A	11054-7016-9X	1	Bracket ●
11055	11055-7007-9X	1	Bracket ●
11060	11060-7016	2	Gasket-Muffler ●
11065	11065-7008	1	Cap ●
11065A	11065-7009	1	Cap ●
11065B	11065-7017	1	Cap ●
16060	16060-6007	1	Pipe-Intake ●
92015	92015-1367	2	Nut ●
92153	92153-7043	3	Bolt (6X12) ●
92171	92171-7013	2	Clamp ●
92171A	92171-7023	3	Clamp-Filter, Air ●
92192	92192-7086	1	Tube ●
92192A	92192-7087	1	Tube ●
92210	92210-7027	4	Nut (M8) ●

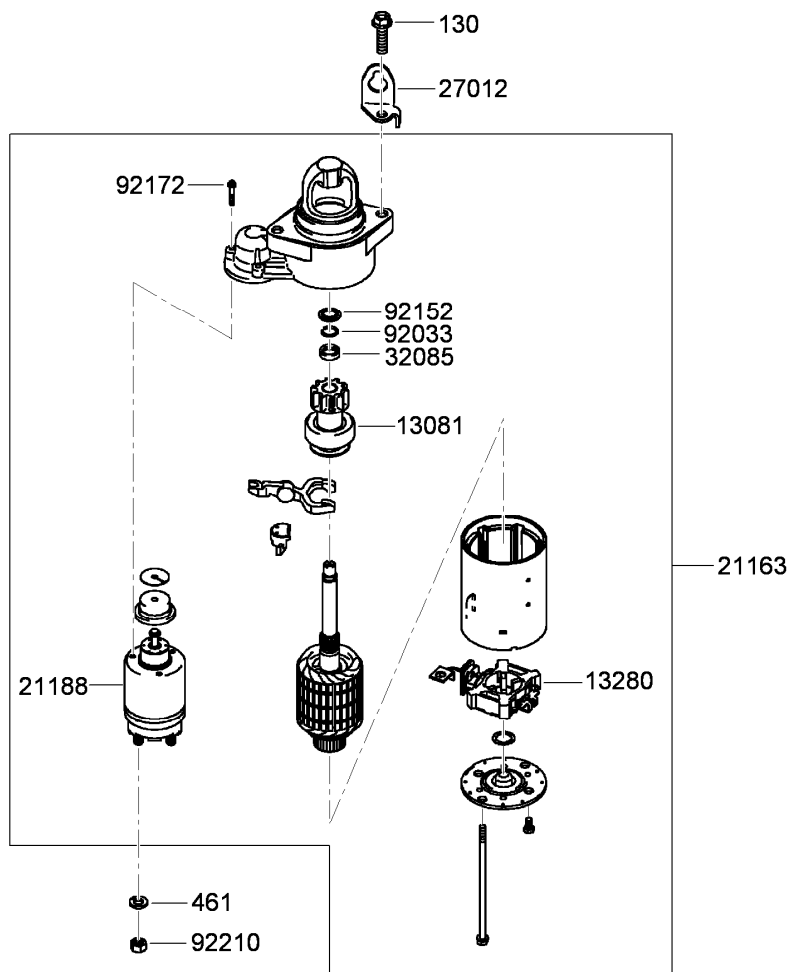
● Obtain parts from www.kawpowerepc.com



Fuel Tank and Fuel Valve Assembly Kawasaki FX801V-AS04

<i>Ref.</i>	<i>Part Number</i>	<i>Qty.</i>	<i>Description</i>
130	130AA0620	2	Bolt-Flanged (6X20) ●
23062	23062-7018	1	Bracket ●
49019	49019-7001	1	Filter-Fuel ●
49040	49040-7001	1	Pump-Fuel ●
92153	92153-7043	1	Bolt (6X12) ●
92170	92170-2009	4	Clamp ●
92192	92192-7088	1	Tube (6.4X12.7X28.5) ●
92192A	92192-7137	1	Tube (6.35X12.7X195) ●
92192B	92192-7144	1	Tube (6.35X12.7X140) ●

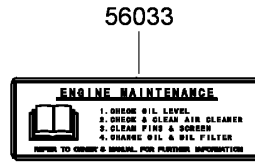
● Obtain parts from www.kawpowerepc.com



Starter Assembly Kawasaki FX801V-AS04

<i>Ref.</i>	<i>Part Number</i>	<i>Qty.</i>	<i>Description</i>
130	130AA0830	2	Bolt-Flanged (8X30) ●
461	461DA0800	1	Washer-Spring (8Mm) ●
13081	13081-7001	1	Clutch ASM ●
13280	13280-7002	1	Holder ●
21163	21163-7021	1	Starter-Electric ●
21188	21188-7005	1	Solenoid ●
27012	27012-7005	1	Hook-Lift ●
32085	32085-7001	1	Stopper ●
92033	92033-7014	1	Ring-Snap ●
92152	92152-7013	1	Collar ●
92172	92172-7032	3	Screw ●
92210	92210-7027	1	Nut (M8) ●

● Obtain parts from www.kawpowerepc.com



Label Set Kawasaki FX801V-AS04

<i>Ref.</i>	<i>Part Number</i>	<i>Qty.</i>	<i>Description</i>
56014	56014-7004	1	Emblem ●
56033	56033-7001	1	Label-Manual ●
56070	56070-7001	1	Label-Warning ●

● Obtain parts from www.kawpowerepc.com

Attachments and Accessories

For 74945CP Z Master G3 Riding Mower, with 60in TURBO FORCE Side Discharge Mower

Product Name	Model/Part
Blade-Mid Flow, 20.5 inch.....	105-7715-03
Blade-Lo Flow, 20.5 inch.....	105-7716-03
Blade-Hi Flow, 20.5 inch	105-7718-03
Blade-Recycler, 20.5 inch	105-7777-03
Blade-Atomic, 20.5 inch.....	105-8777-03
6 Pack Blade, 20.5 inch Hi-Flow	108-1114
6 Pack-Blade, 20.5 inch Atomic	108-1115
6 Pack Blade, 20.5 inch Mid-Flow	108-1123
6 Pack-Blade, 20.5 inch Lo Flow.....	108-1128
Hitch Kit	109-9487
6 Pack-Blade, 20.5 inch Recycler	110-0405
Hypr-Oil 500 (quart)	114-4713
Hypr-Oil 500 (gallon).....	114-4714
Hypr-Oil 500-5 (5 gallon).....	114-4715
Bimini Folding Shade Assembly	115-4510
Recycler Kit	115-7468
Light Kit.....	116-1154
Z Stand Kit.....	117-0350
Operator-Controlled Discharge Chute Kit	117-3600
Deluxe Suspension Seat Kit	117-6174
Blower and Drive Kit	78553
E-Z Vac Triple Bagging System	78563
E-Z Vac DFS Collection System	78567
Trash Holder Kit.....	TC26



Count on it.