



Count on it.

Parts Catalog

**Z Master® G3 Riding Mower
with 48in TURBO FORCE® Side Discharge
Mower**

Model No. 74901—Serial No. 290000001 and Up

Ordering Replacement Parts

To order replacement parts, please supply the part number, the quantity, and the description of each part desired.

Understanding Reference Numbers

Each identified part in an illustration has a reference number. The reference number for a part also appears in the parts list, along with other information about the part.

This catalog uses two special reference number formats, one to indicate parts in a service assembly and another to indicate the quantity of a given part in an illustration.

Service Assembly Reference Numbers

Parts in service assemblies have reference numbers in the form a:b. The a represents the reference number of the entire service assembly and the b represents a sequential number unique to each part within the service assembly.

For example, a wheel assembly might be identified by reference number 6, the tire by 6:1, the valve by 6:2, and the wheel by 6:3. When you order the assembly identified by reference number 6, you receive all parts identified by reference numbers 6:1, 6:2, and 6:3. However, you may also order any part individually. Reference numbers of this type appear in illustration and in parts lists.

Reference Numbers Indicating Quantity

In an illustration, if a reference number indicates more than one part, the reference number has the form nX y. The n represents the quantity of the part, the X is the multiplication symbol, and the y represents the reference number.

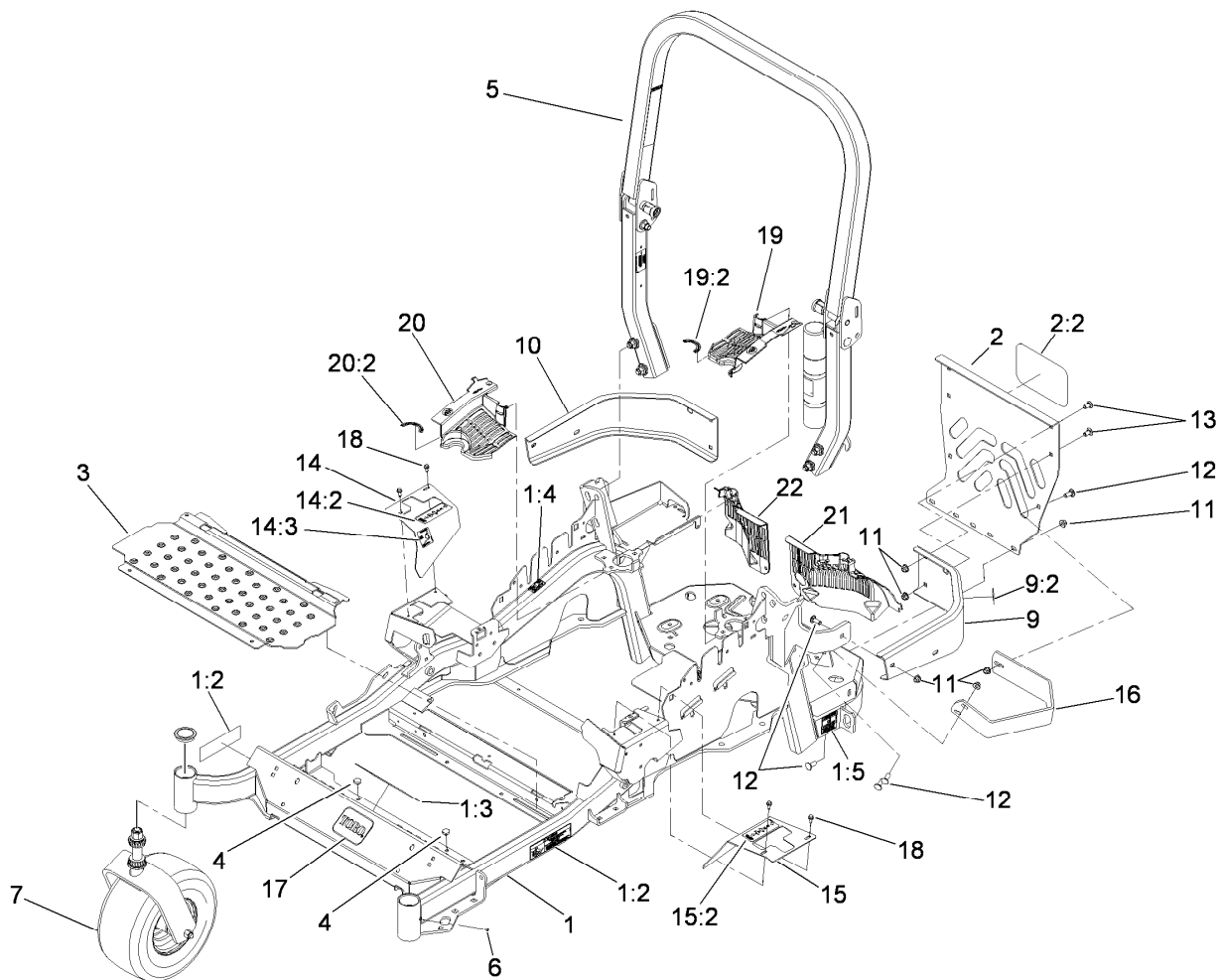
For example, in an illustration, the reference number 2X 37 means that two of the parts identified by reference number 37 are indicated.

List of Abbreviations

AR: as required	HSBH: hex socket button head	SFH: slotted fillister head
ASM: assembly	HSFH: hex socket flat head	SHH: slotted hex head
BBC: blade brake control	HSH: hex socket head	SHWH: slotted hex washer head
BHTF: button head thread forming	HWH: hex washer head	SPH: slotted pan head
CARR: carriage	HWHTF: hex washer head thread forming	SQH: square head
CCW: counter clockwise	HYD: hydraulic	SRH: slotted round head
CW: clockwise	LH: left hand	STD: standard
DEG: degrees	LP: Liquid Propane	TAP: self tapping
ECM: electronic control module	NI: nylon insert	TTH: torx truss head
EXT: external	NPTF: national pipe thread fine	
FH: flat head	PFH: phillips flat head	
GA: gauge	PPH: phillips pan head	
HD: heavy-duty	PPHTF: phillips pan head thread forming	
HF: hex flange	PRH: phillips round head	
HH: hex head	PTH: phillips truss head	
HHF: hex head flange	PTO: power-take-off	
HHFTF: hex head flange thread forming	RH: right hand	
HJ: hex jam	ROPS: roll-over protection system	
HLH: hex lag head	RRB: rear roller brush	
HOC: height-of-cut		

Contents

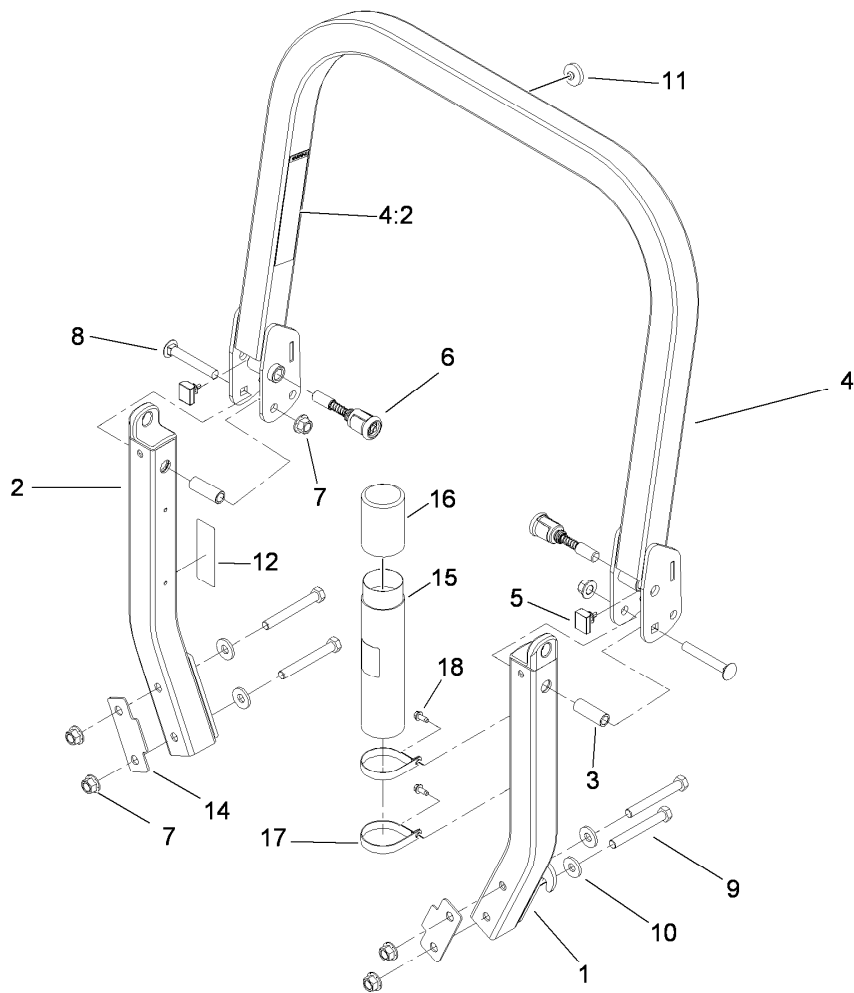
Front Frame and Caster Wheel Assembly	4
Roll-Over Protection System Assembly No. 116-0231	5
Caster Wheel and Fork Assembly	6
Hydraulic Pump, Idler and Belt Assembly	7
Pump Idler Assembly No. 116-1255	8
LH Hydro Assembly No. 116-1322	9
RH Hydro Assembly No. 116-1323	10
Rear Wheel and Park Brake Assembly	11
Brake Handle Assembly No. 117-0383	12
Fuel System Assembly	13
Fuel Tank Assembly No. 109-9357	14
Seat Mounting Assembly	15
Seat Assembly No. 116-0035	16
Motion Control Assembly	17
Fender, Console and Control Assembly	18
LH Console Assembly No. 115-7403	19
RH Console Assembly No. 115-7402	20
Electrical System Assembly	21
Deck Assembly	22
Deck Decal Assembly No. 114-5805	23
Idler Assembly	24
Spindle Assembly No. 107-8504	25
Rubber Deflector Assembly No. 108-7770	26
Deck Lift Assembly	27
Height-of-Cut Assembly No. 109-7438	28
Engine, Clutch and Muffler Assembly	29
Crankcase Assembly Kohler CV680-3020	30
Head, Valve and Breather Assembly Kohler CV680-3020	32
Crankshaft Assembly	34
Oil Pan and Lubrication Assembly Kohler CV680-3020	35
Ignition and Electrical Assembly Kohler CV680-3020	36
Blower Housing Assembly Kohler CV680-3020	37
Starter Assembly Kohler CV680-3020	38
Fuel System Assembly Kohler CV680-3020	39
Engine Control Assembly Kohler CV680-3020	40
Air Intake and Filtration Assembly Kohler CV680-3020	41
Exhaust Assembly Kohler CV680-3020	42
Decals Kohler CV680-3020	43
Attachments and Accessories	44



Front Frame and Caster Wheel Assembly

Ref.	Part Number	Qty.	Description	Ref.	Part Number	Qty.	Description
1	109-7345	1	Main Frame ASM	13	3231-21	4	Screw-CARR
1:2	109-9477	2	Decal-Warning	14	116-0579	1	RH Motion Control Cover ASM
1:3	107-2112	1	Decal-Warning	14:2	109-7232	1	Decal-Motion Control
1:4	103-2076	2	Decal-Caution	14:3	109-7929	1	Decal-Park Brake
1:5	116-0205	2	Decal-Belt Drive	15	116-0580	1	LH Motion Control Cover ASM
2	115-7410	1	Rear Guard ASM	15:2	109-7232	1	Decal-Motion Control
2:2	67-7320	1	Decal	16	116-0043-03	1	Guard-Muffler
3	116-0024-01	1	Floorpan	17	68-3640	1	Decal
4	1-513658	2	Bumper	18	32144-10	4	Screw-HWH
5	116-0231	1	ROPS ASM	19	116-0170	1	LH Hydro Guard ASM
6	1-811010	2	Plug	19:2	116-0157	1	Decal-Hydro Oil
7		2	Front Caster ASM ●	20	116-0171	1	RH Hydro Guard ASM
9	116-0180	1	LH Bumper ASM	20:2	116-0157	1	Decal-Hydro Oil
9:2	103-2076	1	Decal-Caution	21	109-9057	1	Guard-Hydro, Rear LH
10	116-0057-03	1	Bumper-RH	22	109-9058	1	Guard-Hydro, Rear RH
11	104-8301	11	Nut-Flange, NI				
12	3231-22	7	Screw-CARR				

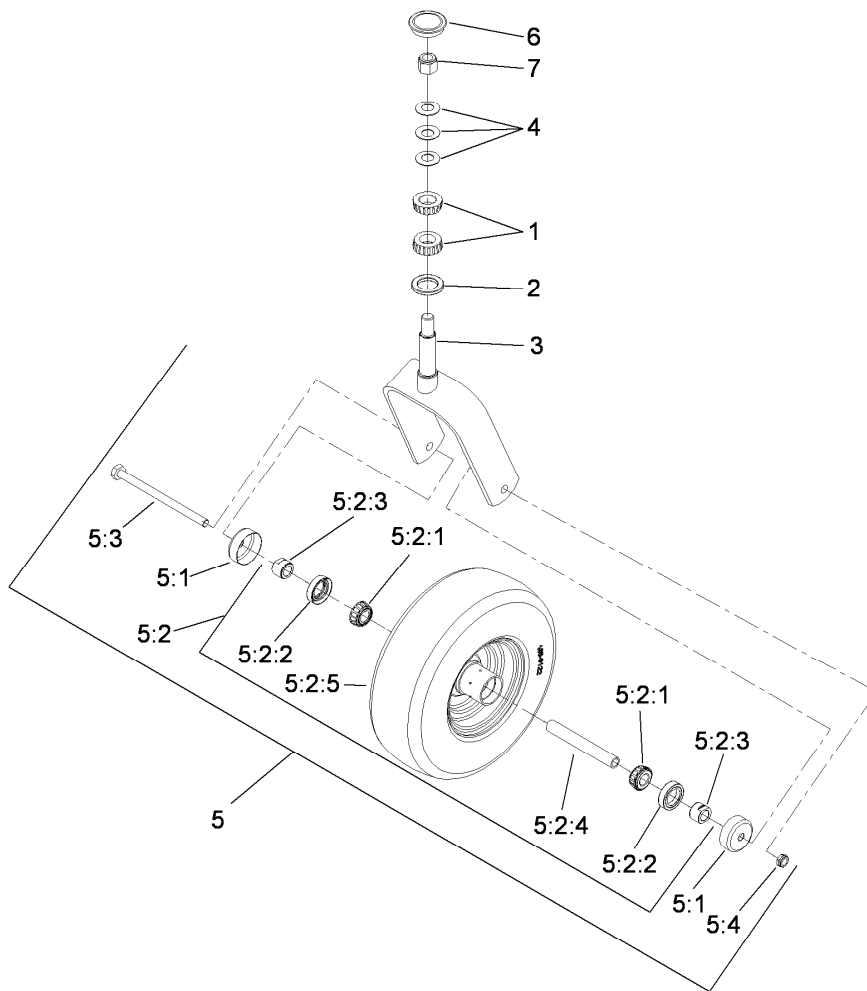
● Not serviced separately



Roll-Over Protection System Assembly No. 116-0231

Ref.	Part Number	Qty.	Description
1		1	Leg-ROPS, LH ●
2		1	Leg-ROPS, RH ●
3	109-6653	2	Spacer
4		1	Upper ROPS ASM ●
4:2	107-2102	1	Decal-Warning, Folding ROPS
5	109-5337	2	Bumper-ROPS
6	116-0104	2	Spring Pin ASM
7	99-5107	6	Nut-Lock
8	3233-10	2	Screw-CARR
9	325-17	4	Screw-HH
10	1-513435	4	Washer-Spring
11	109-9233	1	Bumper-Push-In, Rubber
12	116-0090	1	Decal-Caution
14	116-0960	2	Spacer
15	104-7050	1	Tube-Manual
16	104-7048	1	Cap-Housing
17	107-1865	2	R-Clamp
18	32144-10	2	Screw-HWH

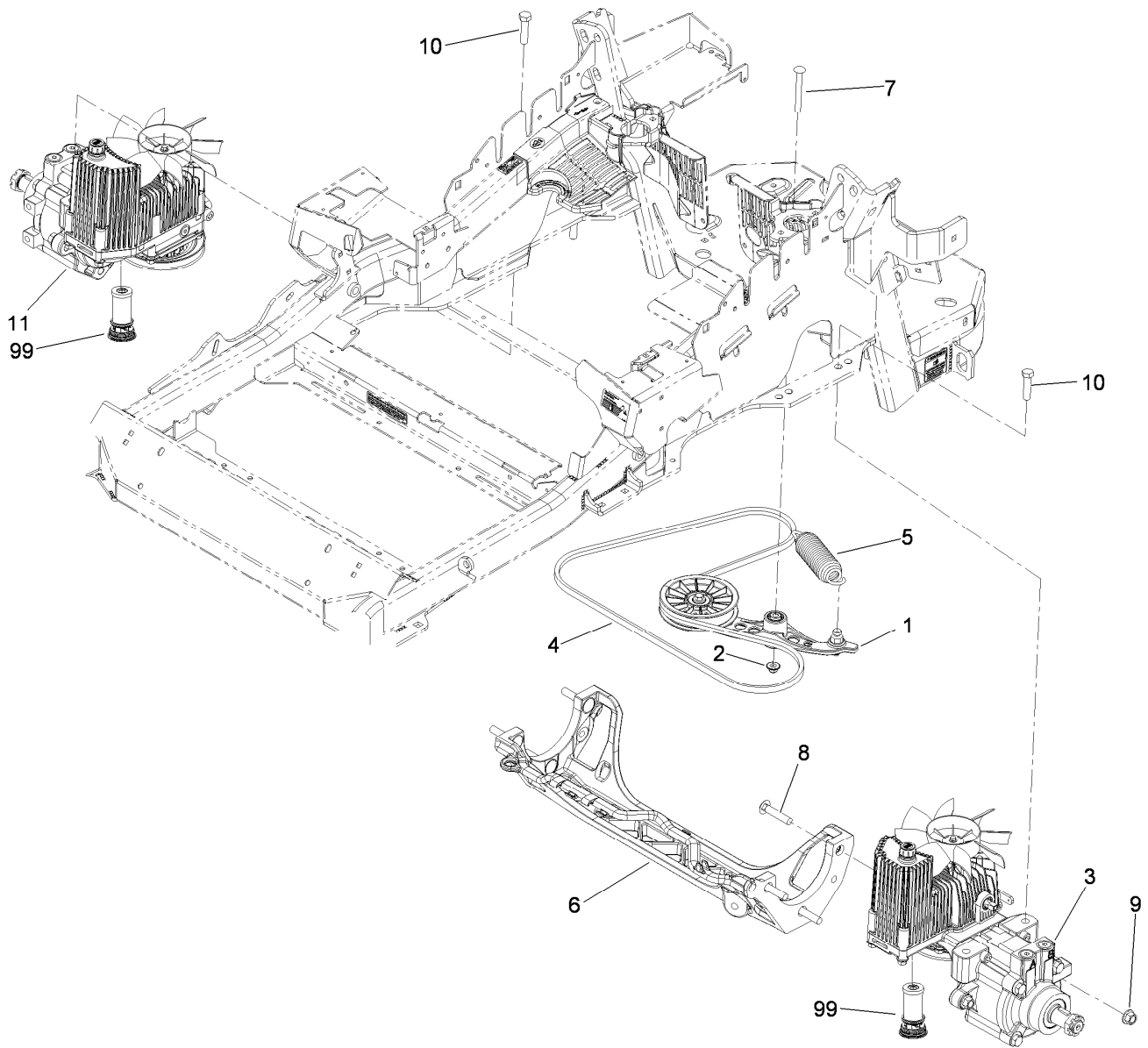
● Not serviced separately



Caster Wheel and Fork Assembly

Ref.	Part Number	Qty.	Description
1	1-543509	2	Bearing-Roller, Tapered
2	1-543511	1	Seal-Grease
3	109-9422-01	1	Fork-Caster
4	1-633508	3	Washer-Bellville
5	109-9126	1	Wheel And Tire ASM
5:1	103-2768	2	Guard-Seal
5:2		1	Wheel And Tire ASM ●
5:2:1	1-633585	2	Bearing-Cone, Taper
5:2:2	103-0063	2	Seal-Caster
5:2:3	103-3051	2	Spacer-Nut
5:2:4	103-3155	1	Axle-Caster
5:2:5		1	Wheel And Tire ASM ●
5:3	325-36	1	Screw-HH
5:4	3296-45	1	Nut-Lock, NI
6	103-4882	1	Cap-Grease
7	3296-51	1	Nut-Lock, NI

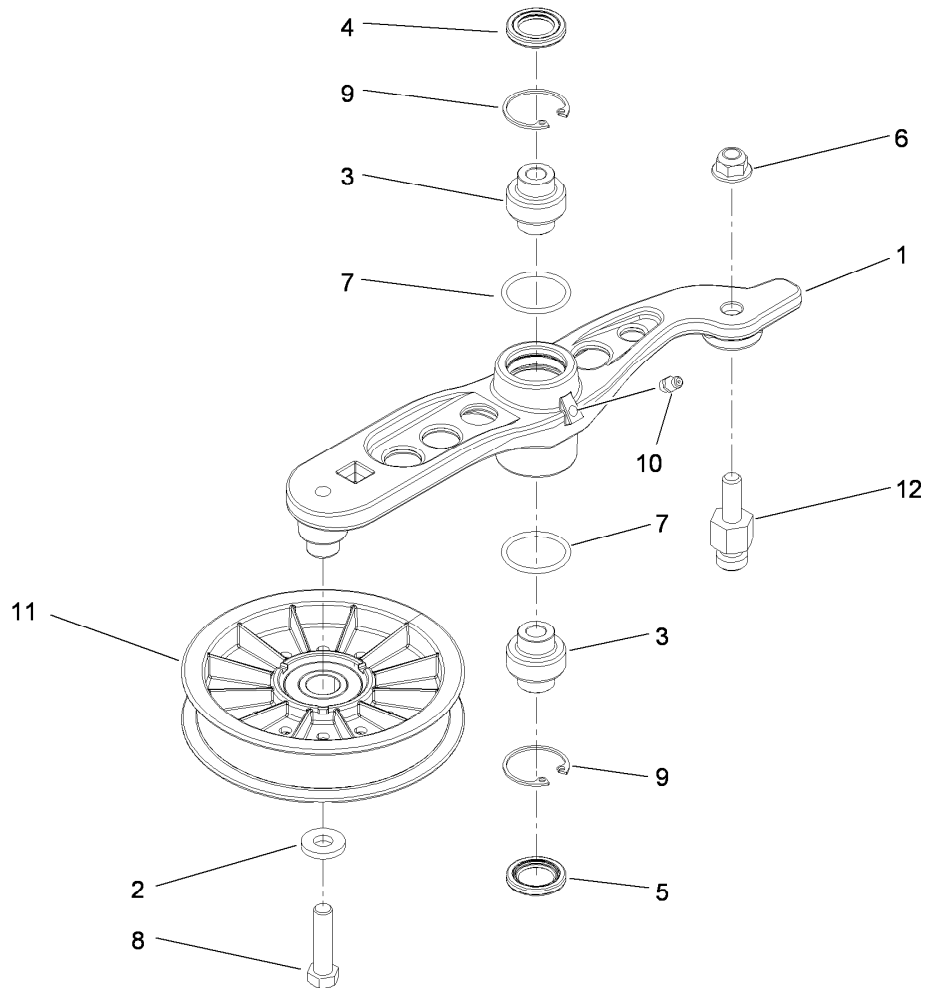
● Not serviced separately



Hydraulic Pump, Idler and Belt Assembly

Ref.	Part Number	Qty.	Description
1	116-1255	1	Pump Idler ASM
2	109-6658	1	Nut-Flange, NI
3	116-1322	1	LH Hydro ASM (12Cc W/Check)
4	109-3388	1	Belt
5	116-0133	1	Extension-Spring
6	109-9375	1	Cradle-Hydro
7	3231-41	1	Bolt-Carriage
8	3233-34	6	Screw-CARR
9	99-5107	6	Nut-Lock
10	325-8	4	Screw-HH
11	116-1323	1	RH Hydro ASM (12Cc W/Check)
99	114-4713	1	Hypr-Oil 500 (Quart) ●
99	114-4714	1	Hypr-Oil 500 (Gallon) ●
99	114-4715	1	Hypr-Oil 500-5 (5 Gallon) ●
99	117-0390	1	Filter-Hydro

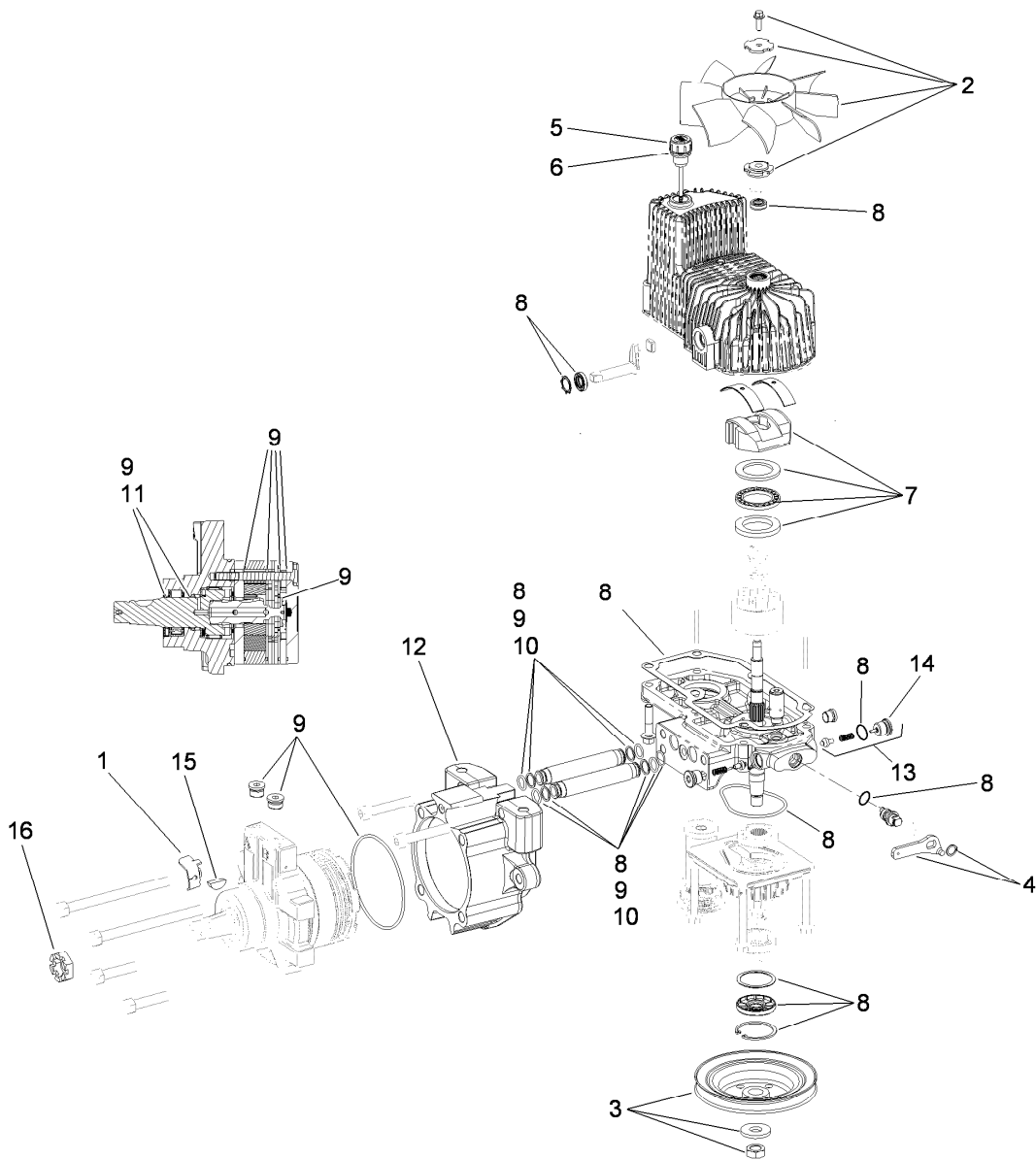
● Not illustrated



Pump Idler Assembly No. 116-1255

<i>Ref.</i>	<i>Part Number</i>	<i>Qty.</i>	<i>Description</i>
1		1	Arm-Pump, Idler ●
2	43-0940	1	Spacer-Hub, Blower
3	103-3504	2	Bearing-Spherical
4	103-3505	1	Seal-Double Lip
5	103-3506	1	Seal-Single Lip
6	104-8301	1	Nut-Flange, NI
7	106-7159	2	O-Ring
8	323-8	1	Screw-HH
9	32120-10	2	Ring-Snap
10	302-19	1	Fitting-Grease
11	109-8076	1	Pulley-Idler
12	109-7399	1	Pin-Anchor, Spring

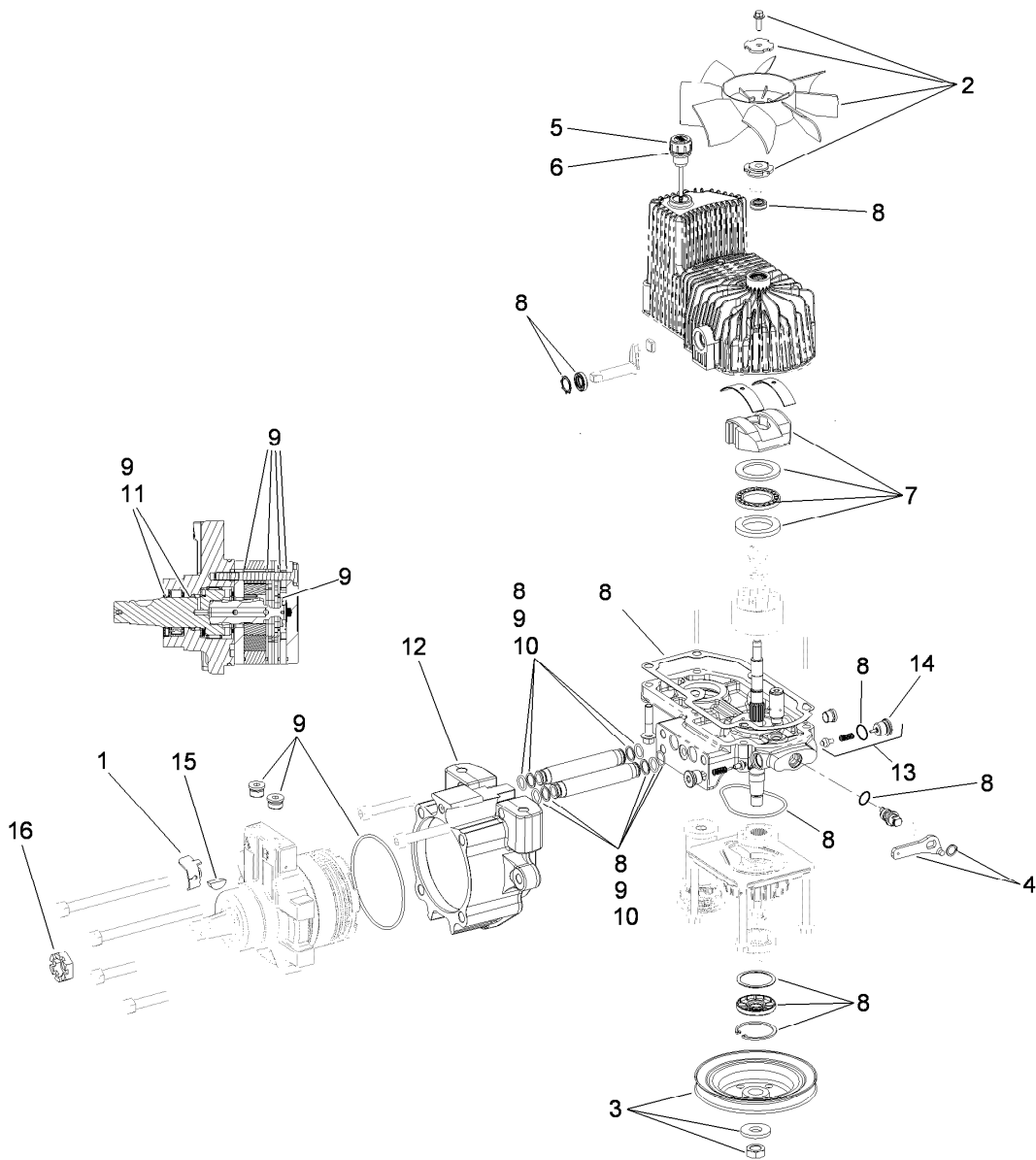
● Not serviced separately



LH Hydro Assembly No. 116-1322

<i>Ref.</i>	<i>Part Number</i>	<i>Qty.</i>	<i>Description</i>	<i>Ref.</i>	<i>Part Number</i>	<i>Qty.</i>	<i>Description</i>
1	116-1758	1	Bracket-Anchor, Cable	9	116-1369	1	Motor Seal Kit
2	116-0233	1	Fan Kit	10	116-1370	1	Tube Seal Kit
3	116-0234	1	Pulley Kit	11	116-1371	1	Output Shaft Seal Kit
4	116-0235	1	Handle-Bypass Valve, Hydro	12	116-1372	1	Cup-Nose
5	116-0236	1	Dipstick-Hydro W/Gasket	13	116-1630	1	Check Valve ASM
6	116-0237	1	Gasket-Dipstick, Hydro	14	116-1631	1	Check Plug W/O-Ring
7	116-1367	1	Swash Block Kit	15	3257-42	1	Key-Woodruff
8	116-1368	1	Pump Seal Kit	16	1-809036	1	Nut-HH
				99	116-1373	1	Flow Test Kit ●

● Not illustrated

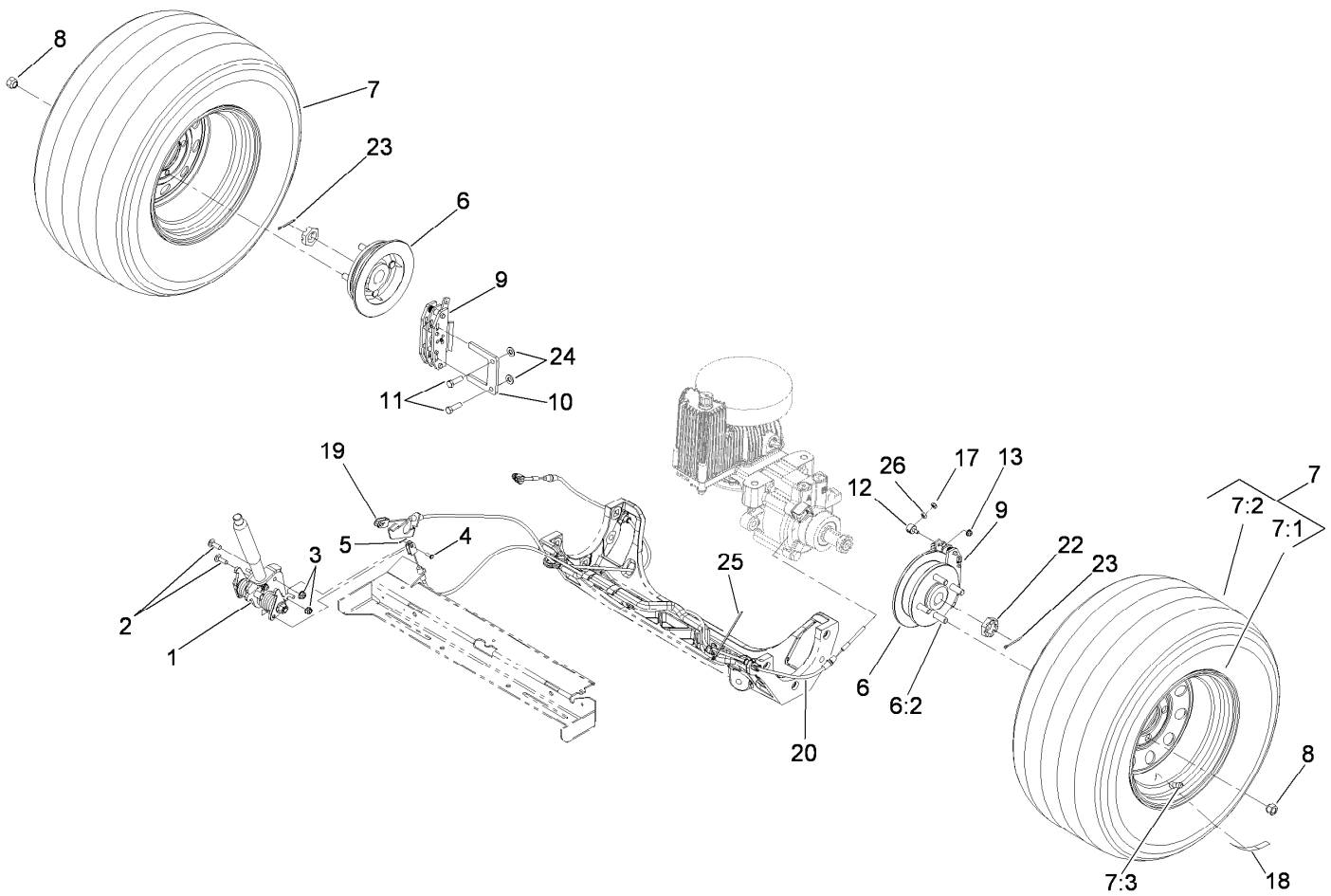


RH Hydro Assembly No. 116-1323

<i>Ref.</i>	<i>Part Number</i>	<i>Qty.</i>	<i>Description</i>
1	116-1758	1	Bracket-Anchor, Cable
2	116-0233	1	Fan Kit
3	116-0234	1	Pulley Kit
4	116-0235	1	Handle-Bypass Valve, Hydro
5	116-0236	1	Dipstick-Hydro W/Gasket
6	116-0237	1	Gasket-Dipstick, Hydro
7	116-1367	1	Swash Block Kit
8	116-1368	1	Pump Seal Kit

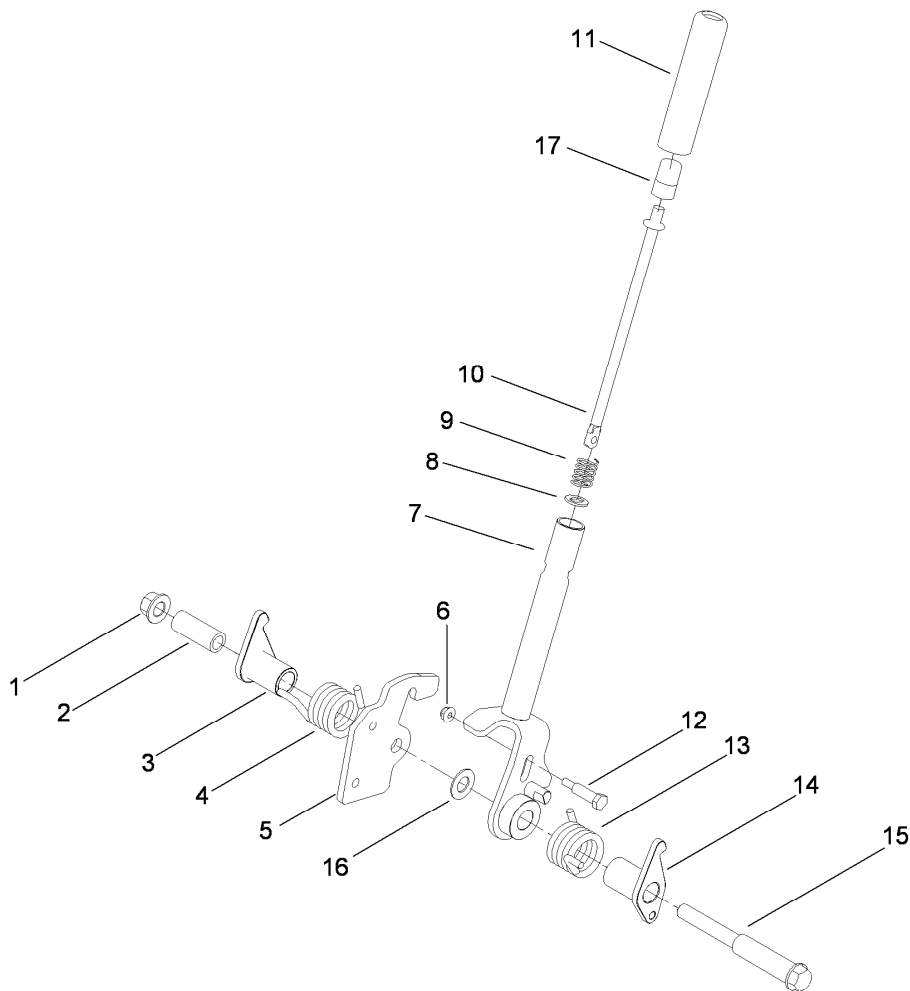
<i>Ref.</i>	<i>Part Number</i>	<i>Qty.</i>	<i>Description</i>
9	116-1369	1	Motor Seal Kit
10	116-1370	1	Tube Seal Kit
11	116-1371	1	Output Shaft Seal Kit
12	116-1372	1	Cup-Nose
13	116-1630	1	Check Valve ASM
14	116-1631	1	Check Plug W/O-Ring
15	3257-42	1	Key-Woodruff
16	1-809036	1	Nut-HH
99	116-1373	1	Flow Test Kit ●

● Not illustrated



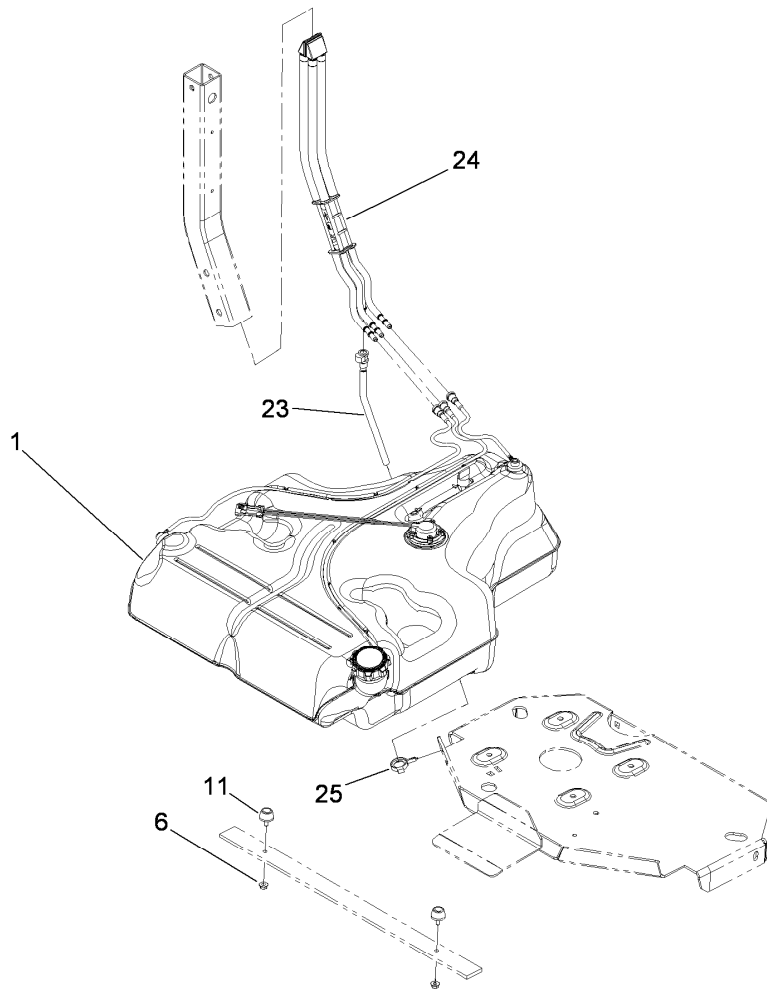
Rear Wheel and Park Brake Assembly

<i>Ref.</i>	<i>Part Number</i>	<i>Qty.</i>	<i>Description</i>	<i>Ref.</i>	<i>Part Number</i>	<i>Qty.</i>	<i>Description</i>
1	117-0383	1	Brake Handle ASM	10	109-0958	2	Plate-Mount, Brake
2	3230-2	2	Bolt-CARR	11	323-7	4	Screw-HH
3	104-8300	2	Nut-Flange, NI	12	112-8379	2	Swivel
4	60-1730	2	Pin-Clevis	13	104-7201	2	Nut-HF
5	3272-1	2	Pin-Cotter	17	3296-13	2	Nut-Lock NI
6	115-3624	2	Wheel Hub And Stud ASM	18	116-0165	2	Decal-Hub, Wheel
6:2	1-633926	4	Stud-Wheel	19	115-3584	1	Cable
7	115-3590	2	Wheel And Tire ASM	20	115-3585	1	Cable
7:1	109-3645	1	Rim ASM	22	1-809036	2	Nut-HH
7:2	1-653160	1	Tire	23	1-806800	2	Pin-Cotter
7:3	232-27	1	Stem-Valve	24	3256-24	4	Washer-Flat
8	242-50	8	Nut-Lug	25	116-0940	1	Tie-Cable
9	109-2889	2	Caliper-Brake	26	3219-1	2	Nut-Hex



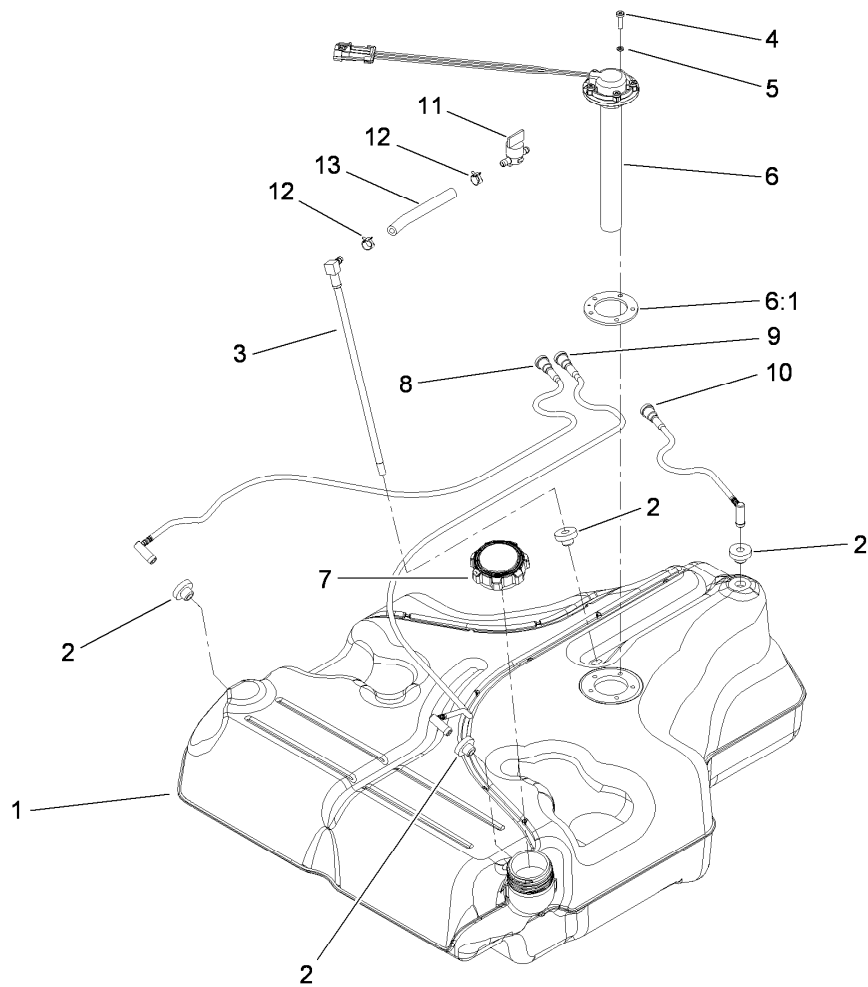
Brake Handle Assembly No. 117-0383

<i>Ref.</i>	<i>Part Number</i>	<i>Qty.</i>	<i>Description</i>
1	99-5107	1	Nut-Lock
2	117-0380	1	Spacer
3	115-3580	1	Arm-Brake, LH
4	117-0376	1	Spring-Torsion, RH
5	115-3574	1	Plate-Latch
6	104-7201	1	Nut-HF
7	117-0382-03	1	Brake Handle ASM
8	114-1207	1	Washer-Special
9	114-8187	1	Spring-Compression
10	115-3581	1	Rod-Release, Brake
11	115-3592	1	Grip
12	112-8387	1	Bolt-Shoulder
13	117-0375	1	Spring-Torsion, LH
14	115-3579	1	Arm-Brake, RH
15	117-0379	1	Bolt-Shoulder
16	117-0378	1	Washer
17	115-2750	1	Knob



Fuel System Assembly

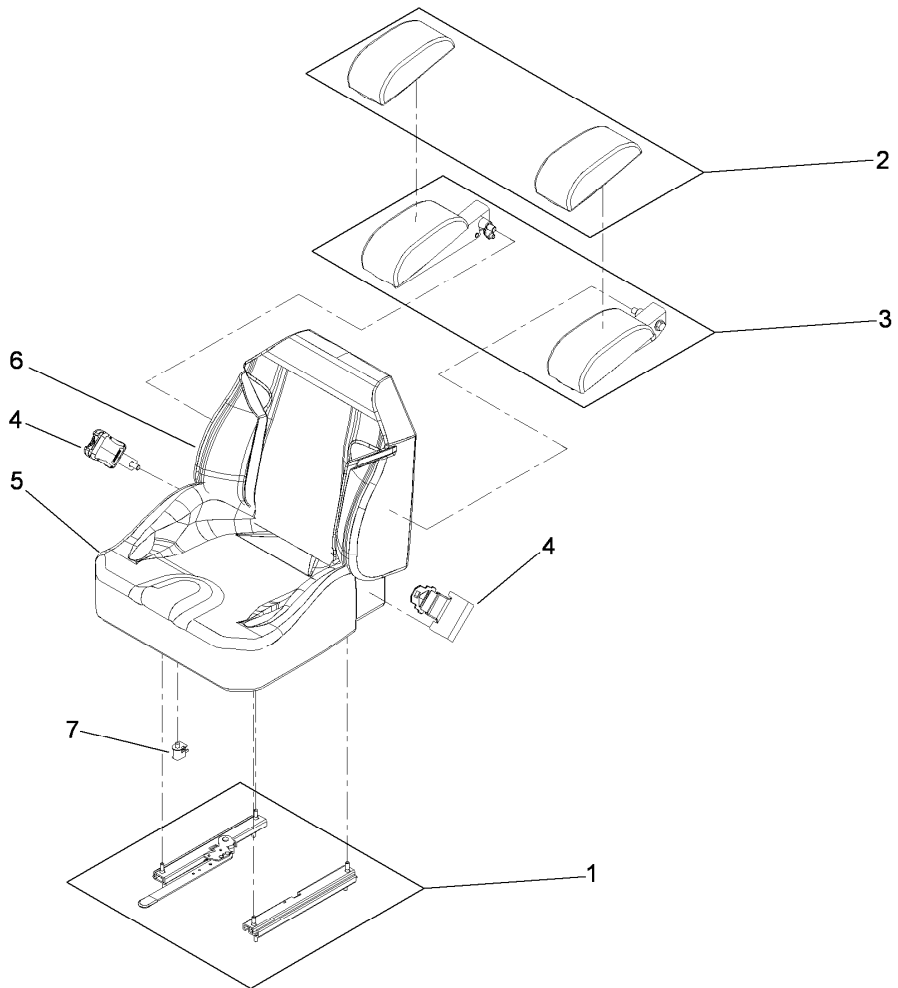
<i>Ref.</i>	<i>Part Number</i>	<i>Qty.</i>	<i>Description</i>
1	109-9656	1	Fuel Tank ASM (W/O Sender)
1	109-9357	1	Fuel Tank ASM
6	32128-33	2	Nut-HF
11	109-2365	2	Bumper-Rubber (W/Stud)
23	109-9450	1	Tube-Vent, Fuel Drain
24	109-9491	1	Fuel Manifold Vent ASM
25	105-1853	1	Clamp-Hose



Fuel Tank Assembly No. 109-9357

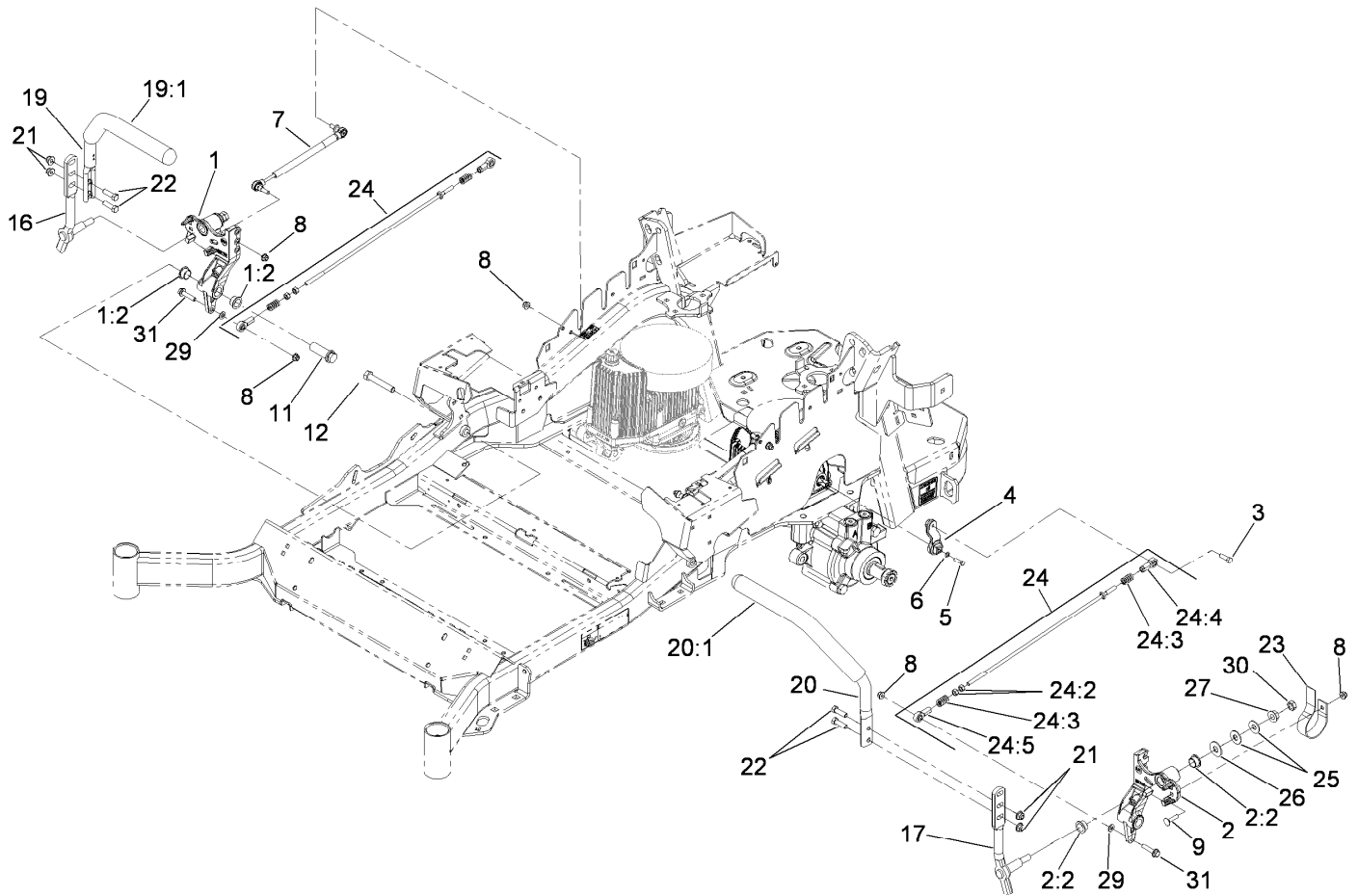
<i>Ref.</i>	<i>Part Number</i>	<i>Qty.</i>	<i>Description</i>
1		1	Tank-Fuel, Belly ●
2	46-6560	4	Bushing
3	109-9364	1	Fitting-Fuel (W/Line And Screen)
4	9107944	5	Screw-Pan
5	3253-17	5	Washer-Lock
6	116-0003	1	Sender-Fuel Level
6:1	109-9620	1	Gasket-Sender, Fuel
7	109-9619	1	Cap-Fuel
8	109-9447	1	Tube-Vent, RH
9	109-9448	1	Tube-Vent, LH
10	109-9449	1	Tube-Vent, Rear
11	1-603770	1	Valve-Fuel
12	2412-98	2	Clamp
13	109-0650	1	Hose-Fuel

● Not serviced separately



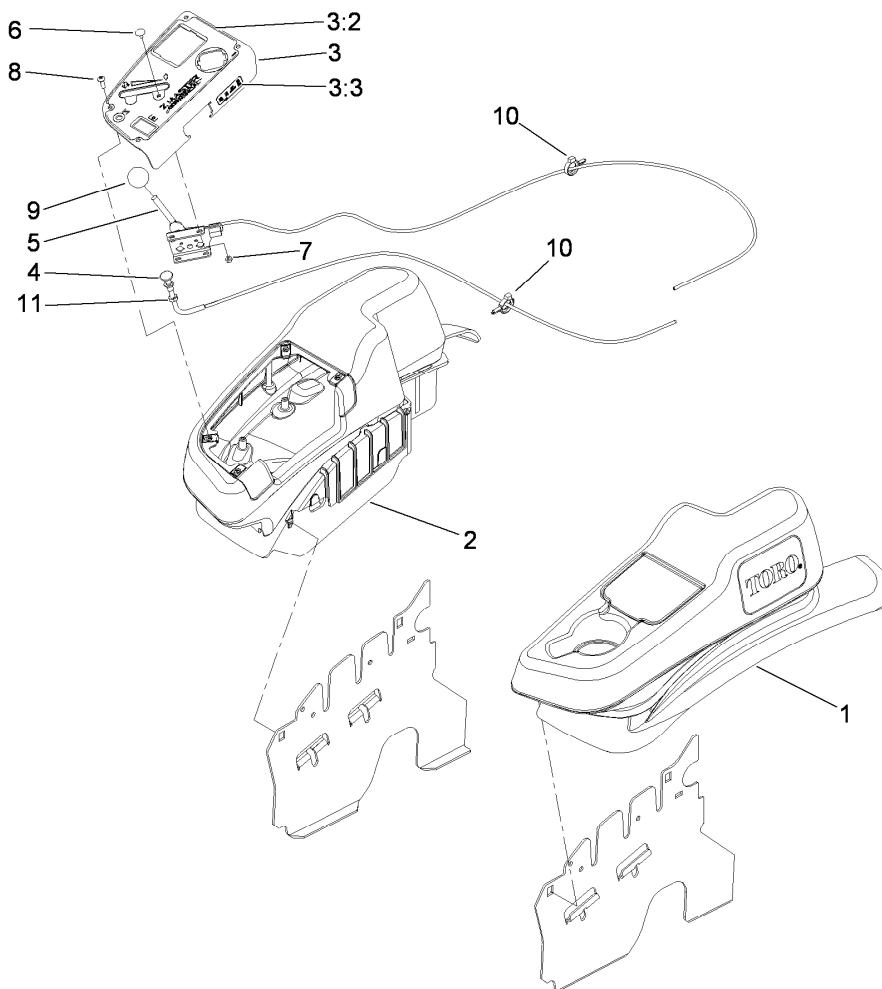
Seat Assembly No. 116-0035

<i>Ref.</i>	<i>Part Number</i>	<i>Qty.</i>	<i>Description</i>
1	109-9801	1	Seat Track Set
2	109-9802	1	Arm Rest Pad Set
3	109-9803	1	Arm Rest Set
4	109-9805	1	Seat Belt Kit
5	109-9806	1	Cover-Cushion
6	109-9808	1	Cover-Back
7	82-2190	1	Switch-Bail



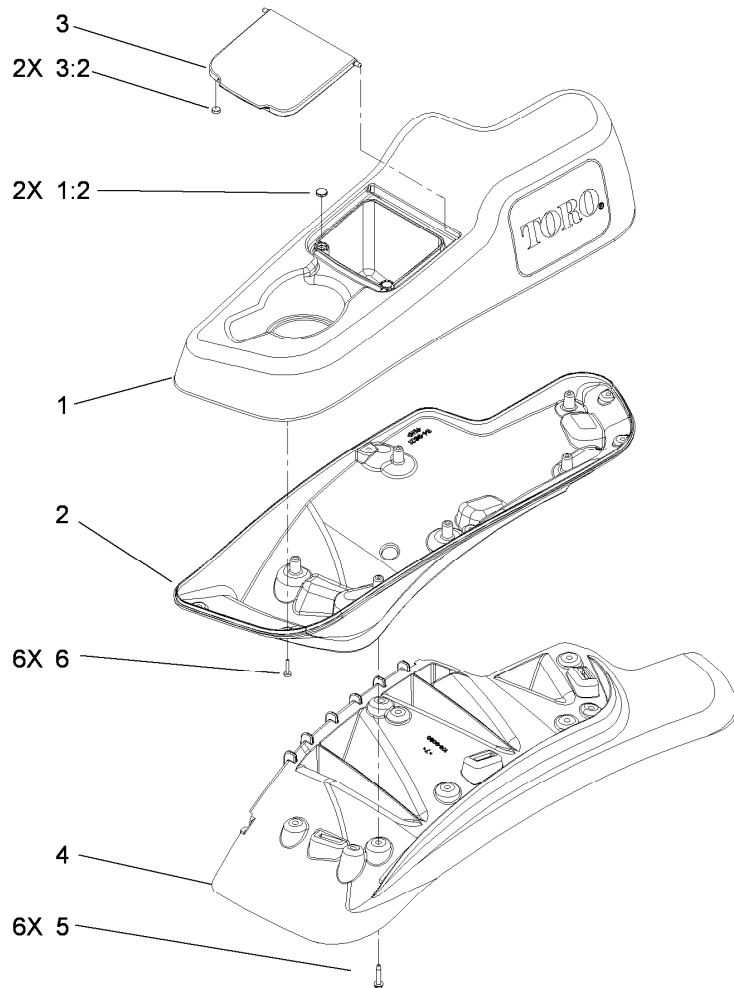
Motion Control Assembly

<i>Ref.</i>	<i>Part Number</i>	<i>Qty.</i>	<i>Description</i>	<i>Ref.</i>	<i>Part Number</i>	<i>Qty.</i>	<i>Description</i>
1	116-0880	1	RH Motion Control And Bushing ASM	19:1	106-9987	1	Grip-Control, Motion
1:2	109-8054	4	Bushing-Flange	20	109-6592	1	LH Steering Handle ASM
2	116-0881	1	LH Motion Control And Bushing ASM	20:1	106-9987	1	Grip-Control, Motion
2:2	109-8054	4	Bushing-Flange	21	104-8301	4	Nut-Flange, NI
3	116-0648	2	Screw-Thread Locking	22	323-7	4	Screw-HH
4	109-4581	2	Arm-Control, Pump	23	109-5575	2	Spring-Leaf
5	9080046	2	Screw-HH	24	109-8107	2	Pump Linkage Rear ASM
6	1-303435	2	Washer-Spring	24:2	3219-2	2	Nut-Hex
7	116-0027	2	Damper-Control, Motion	24:3	1-323245	2	Spring-Compression
8	104-8300	8	Nut-Flange, NI	24:4	1-633152	1	Balljoint-LH
9	3230-3	2	Screw-CARR	24:5	1-543017	1	Balljoint-RH
11	109-5891	2	Hub-Threaded	25	109-9505	4	Washer-Spring
12	325-12	2	Screw-HH	26	3256-6	2	Washer-Flat
16	116-0039	1	Lever-Control Motion, RH	27	32128-23	2	Nut-HF
17	116-0040	1	Lever-Control Motion, LH	29	3256-23	2	Washer-Flat
19	109-6591	1	RH Steering Handle ASM	30	3218-5	2	Nut-Jam
				31	115-1794	2	Screw-HHF



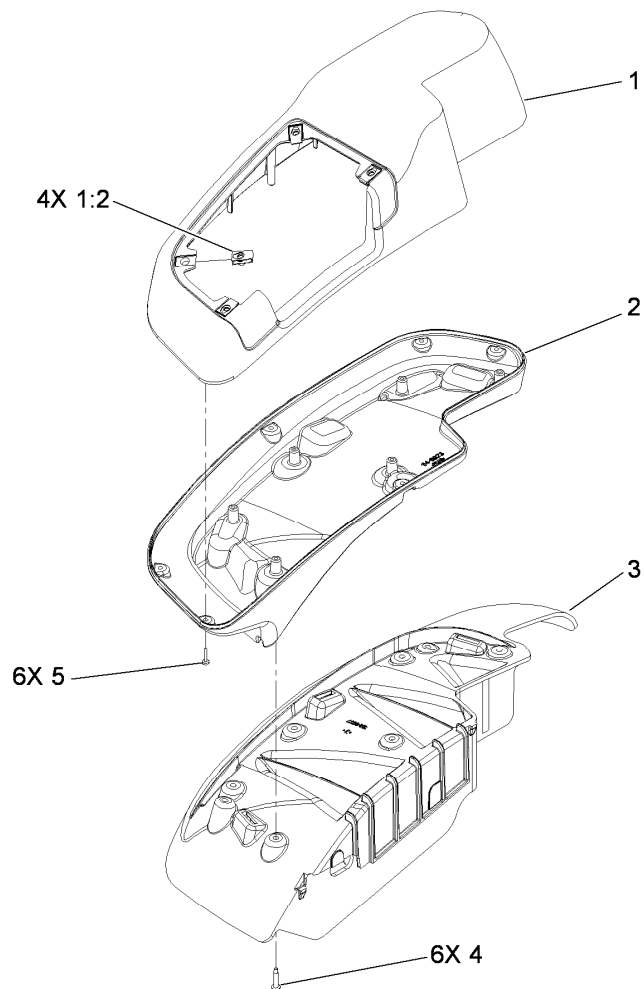
Fender, Console and Control Assembly

<i>Ref.</i>	<i>Part Number</i>	<i>Qty.</i>	<i>Description</i>
1	115-7403	1	LH Narrow Fender/Console ASM
2	115-7402	1	RH Narrow Fender/Console ASM
3	114-9837	1	Control Panel ASM
3:2	117-0876	1	Decal-Panel, Control
3:3	114-4466	1	Decal-Fuses
4	115-2756	1	Choke Control ASM
5	115-2752	1	Throttle Control ASM
6	1-807513	2	Bolt-CARR
7	3296-2	2	Nut-Lock, NI
8	3258-166	4	Screw-PRH
9	1-603175	1	Knob-Ball
10	105-1853	2	Clamp-Hose
11	3220-7	1	Nut-Jam



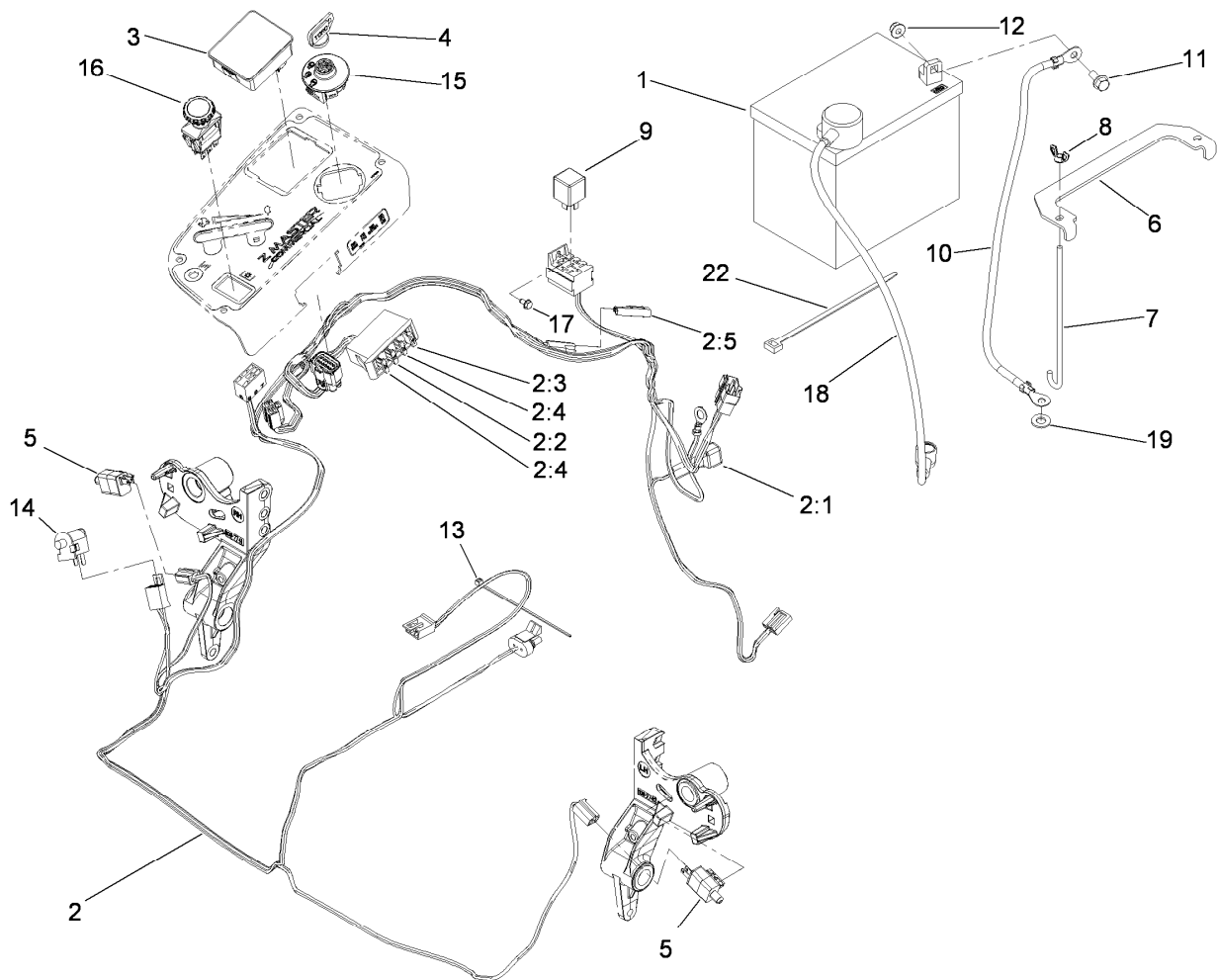
LH Console Assembly No. 115-7403

<i>Ref.</i>	<i>Part Number</i>	<i>Qty.</i>	<i>Description</i>
1	114-1541	1	LH Console Top ASM
1:2	117-0883	2	Puck
2	114-9821	1	LH Lower Console
3	114-1536	1	Lid ASM
3:2	114-5896	2	Magnet
4	109-9080	1	Fender-LH
5	32144-89	6	Screw-Thread Forming
6	117-0347	6	Screw-Fillister Head



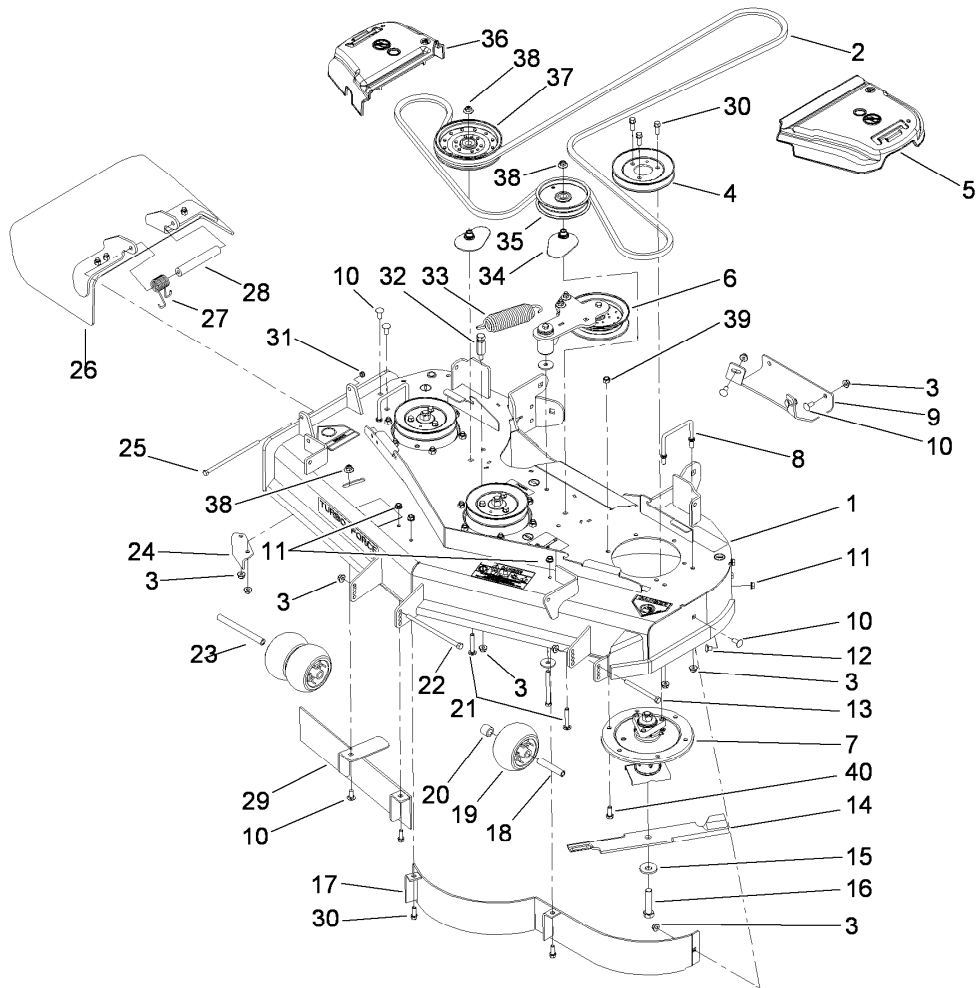
RH Console Assembly No. 115-7402

<i>Ref.</i>	<i>Part Number</i>	<i>Qty.</i>	<i>Description</i>
1	114-1542	1	RH Console Top ASM
1:2	107069	4	Clip
2	114-9823	1	Console-Narrow, RH
3	109-9077	1	Fender-Narrow, RH
4	32144-89	6	Screw-Thread Forming
5	117-0347	6	Screw-Fillister Head



Electrical System Assembly

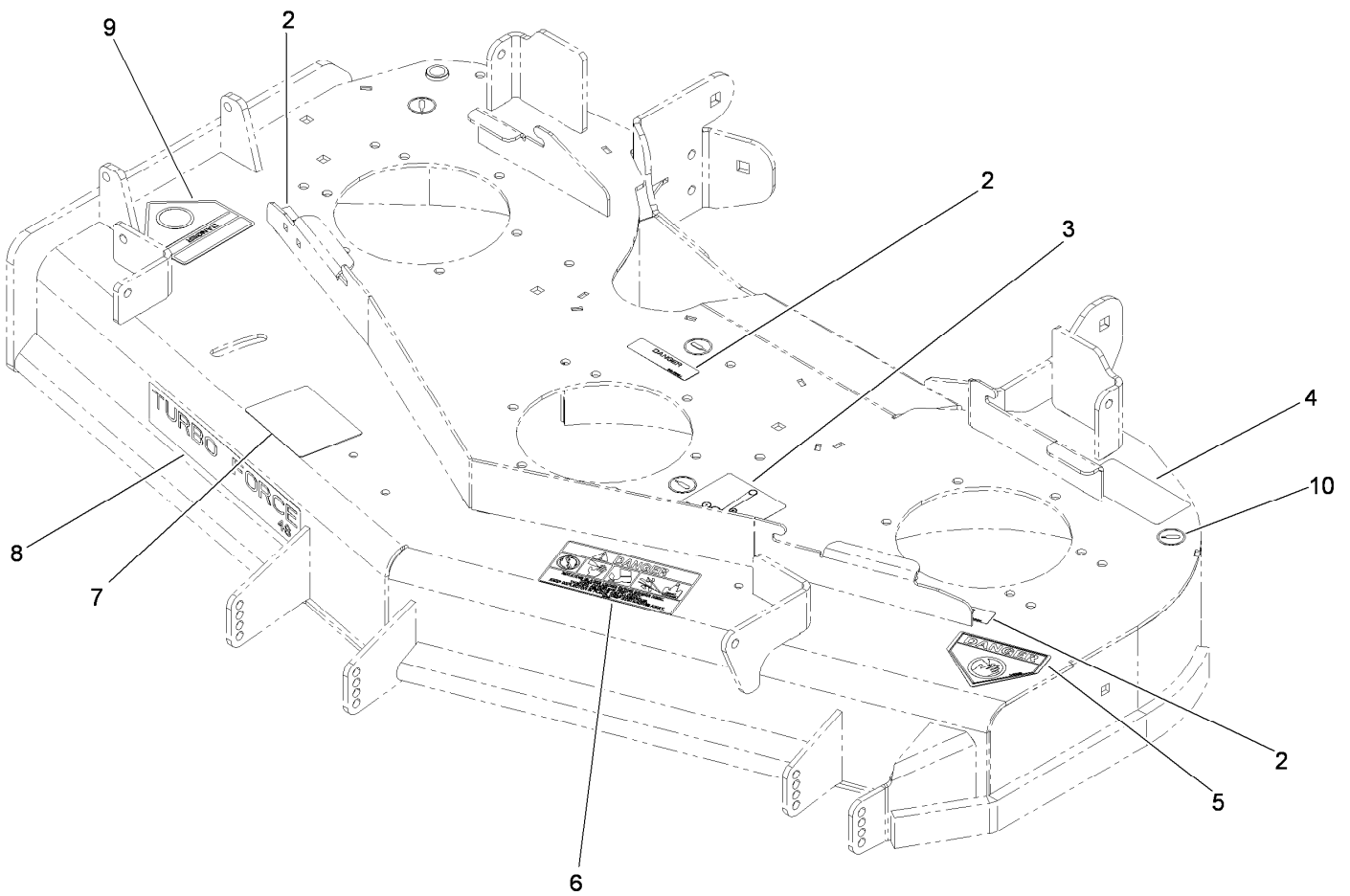
<i>Ref.</i>	<i>Part Number</i>	<i>Qty.</i>	<i>Description</i>	<i>Ref.</i>	<i>Part Number</i>	<i>Qty.</i>	<i>Description</i>
1	104-2491	1	Battery	9	1-643275	1	Relay
2	115-2796	1	Harness-Wire, Main	10	114-1218	1	Cable-Battery, Negative
2:1	103-3895	1	Diode-Tvs	11	3234-5	2	Screw-HHF
2:2	218-578	1	Fuse-10 Amp	12	104-8300	2	Nut-Flange, NI
2:3	109355	1	Fuse-15 Amp	13	1-303287	3	Tie-Cable
2:4	109102	2	Fuse-25 Amp	14	82-2190	1	Switch-Bail
2:5	116-0053	1	Cap-Plug	15	116-0229	1	Switch-Ignition
3	116-0916	1	Module-Meter, Hour	16	116-0124	1	Switch-PTO, 10A
4	63-8360	1	Key-Ignition	17	104-2065	1	Screw-HWH
5	110-6765	2	Switch-Single Pole No	18	115-3864	1	Cable-Battery, Positive
6	116-0042-03	1	Strap-Tie Down, Battery	19	3256-24	1	Washer-Flat
7	1-633651	2	Bolt-Holddown	22	1-303335	1	Tie-Plastic
8	1-543792	2	Wingnut				



Deck Assembly

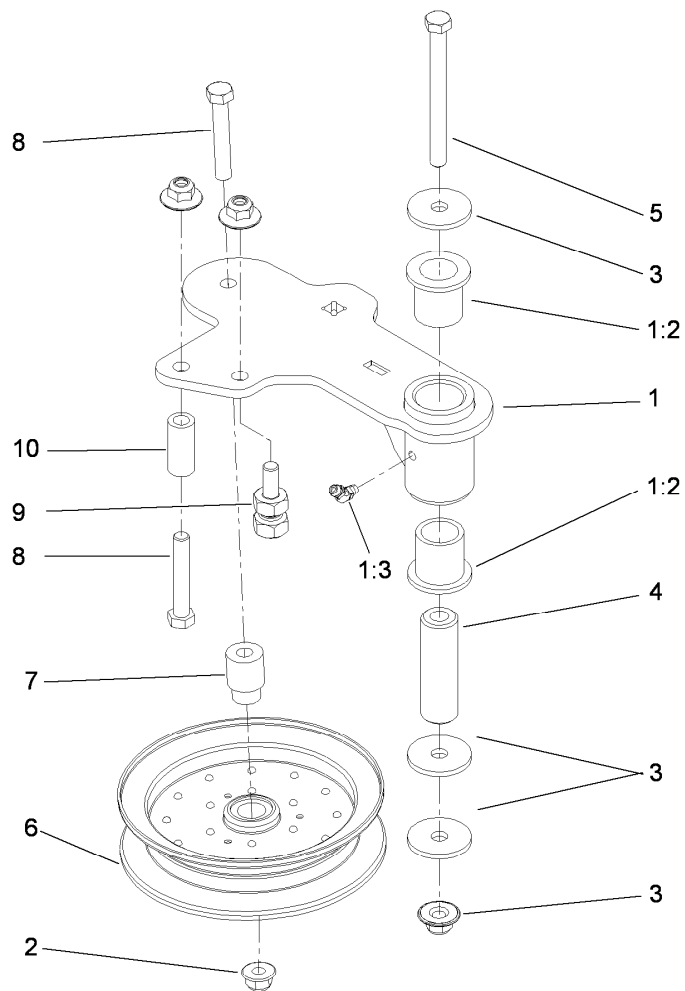
Ref.	Part Number	Qty.	Description	Ref.	Part Number	Qty.	Description
1	114-5805	1	Deck Decal ASM	21	3231-40	2	Bolt-CARR
2	115-7407	1	Belt-V	22	108-5388	1	Screw-HH
3	104-8301	14	Nut-Flange, NI	23	98-5967	1	Spacer-Wheel
4	115-7440	3	Pulley	24	107-8541-01	1	Baffle-Discharge
5	109-6936	1	Cover-Belt, LH	25	322-50	1	Screw-HH
6		1	Arm-Idler ●	26	108-7770	1	Rubber Deflector ASM
7	107-8504	3	Spindle ASM	27	108-4052	1	Spring-Torsion
8	109-6982	2	Wireform-Cover	28	105-4622	1	Spacer
9	112-4230-01	1	Plate-Skid	29	115-7455-01	1	Baffle ASM
10	3231-27	8	Screw-CARR	30	92-1624	12	Screw-HWH
11	3290-357	6	Nut-HHF, Whiz	31	3296-47	1	Nut-Lock, NI
12	108-5387	3	Screw-CARR	32	114-5867	1	Anchor-Spring, Tall
13	323-23	1	Screw-HH	33	116-0133	1	Extension-Spring
14	107-3192-03	3	Blade-16.5 Inch (High Flow)	34	109-2872	2	Spacer-Pulley
15	103-0865	3	Washer-Blade Bolt, Heavy	35	1-613098	1	Pulley-Idler
16	103-0862	3	Screw-Cap	36	109-6935	1	Cover-Belt, RH
17	114-5862-01	1	Baffle ASM	37	114-5895	1	Pulley-Idler, Flat
18	98-7912	1	Tube-Spanner	38	109-6658	3	Nut-Flange, NI
19	1-603299	3	Roller-Scalp, Anti	39	33025-00	18	Nut-Lock
20	98-7913	1	Tube-Spacer	40	33115-025	18	Screw-HH

● Not serviced separately



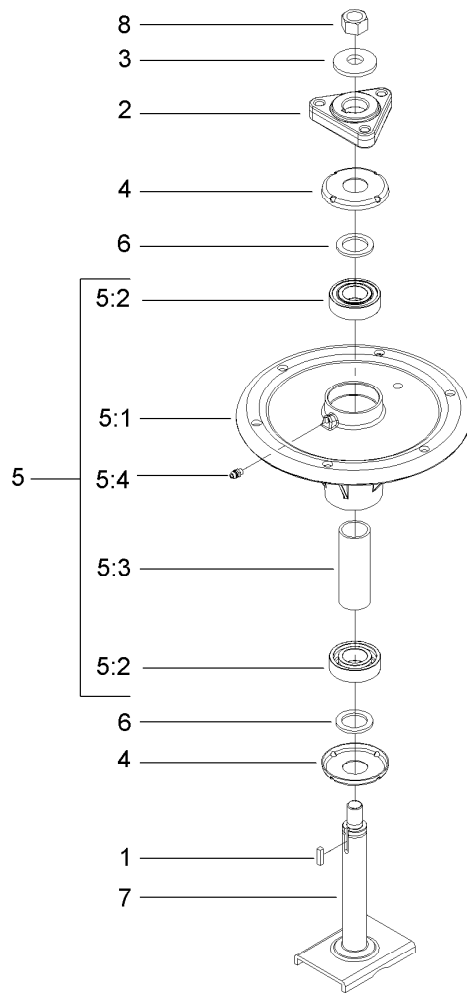
Deck Decal Assembly No. 114-5805

<i>Ref.</i>	<i>Part Number</i>	<i>Qty.</i>	<i>Description</i>
2	98-5954	3	Decal-Cover, Missing
3	115-7445	1	Decal-Routing, Deck Belt
4	68-8340	1	Decal-Torque
5	1-403005	1	Decal-Danger
6	66-1340	1	Decal-Danger, Thrown Object
7	105-7798	1	Decal-Scalp, Anti
8	107-1690	1	Decal
9	54-9220	1	Decal-Danger
10	58-6520	4	Decal-Grease



Idler Assembly

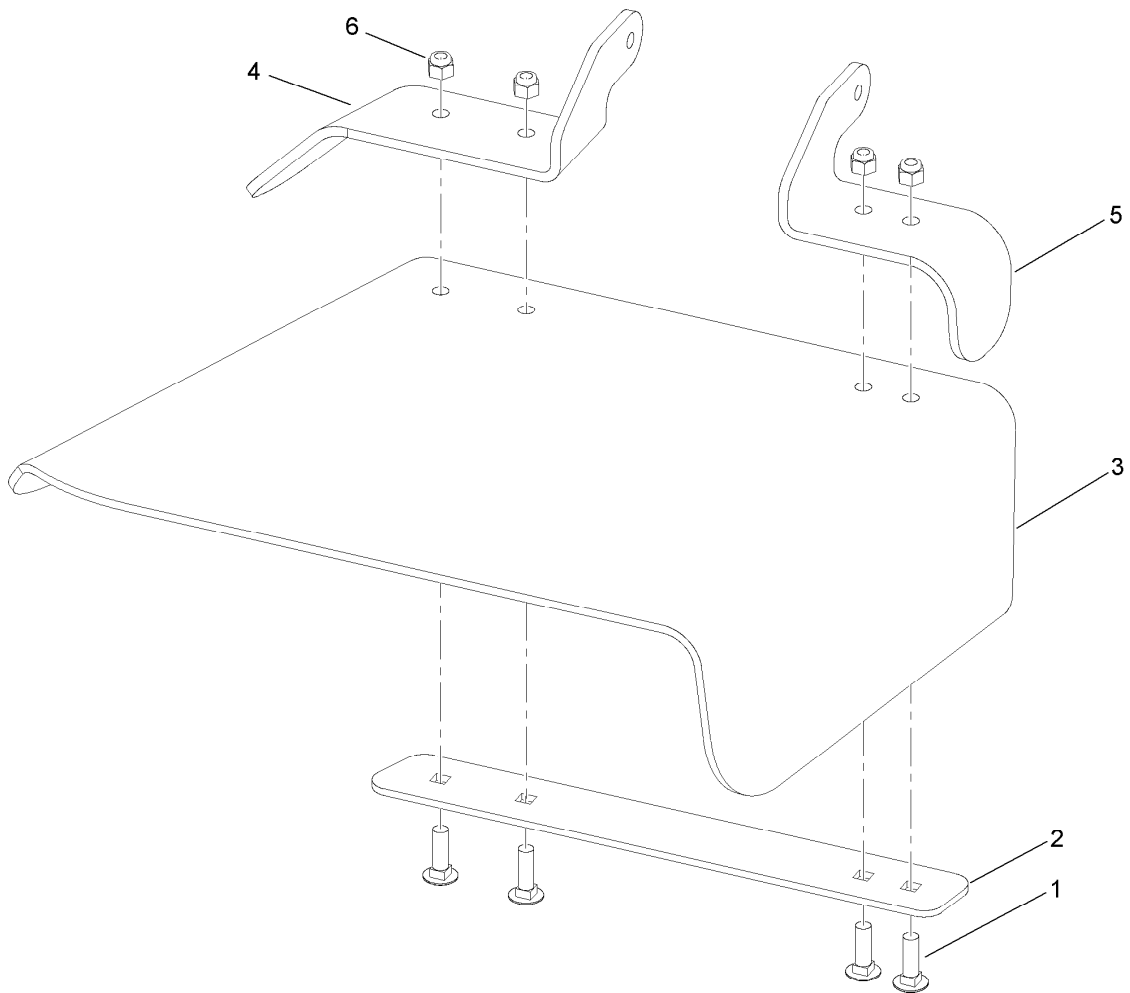
<i>Ref.</i>	<i>Part Number</i>	<i>Qty.</i>	<i>Description</i>
1	114-5870	1	Idler Arm ASM
1:2	1-303514	2	Bearing-Flanged
1:3	1481	1	Fitting-Grease
2	109-6658	4	Nut-Flange, NI
3	1-213069	3	Washer
4	114-5848	1	Spacer-Plain
5	98-5961	1	Screw-HH
6	103-8743	1	Pulley-Idler, Flanged
7	112-4212	1	Mount-Pulley
8	323-11	2	Screw-HH
9	114-5866	1	Anchor-Spring, Short
10	104-0151	1	Spacer



Spindle Assembly No. 107-8504

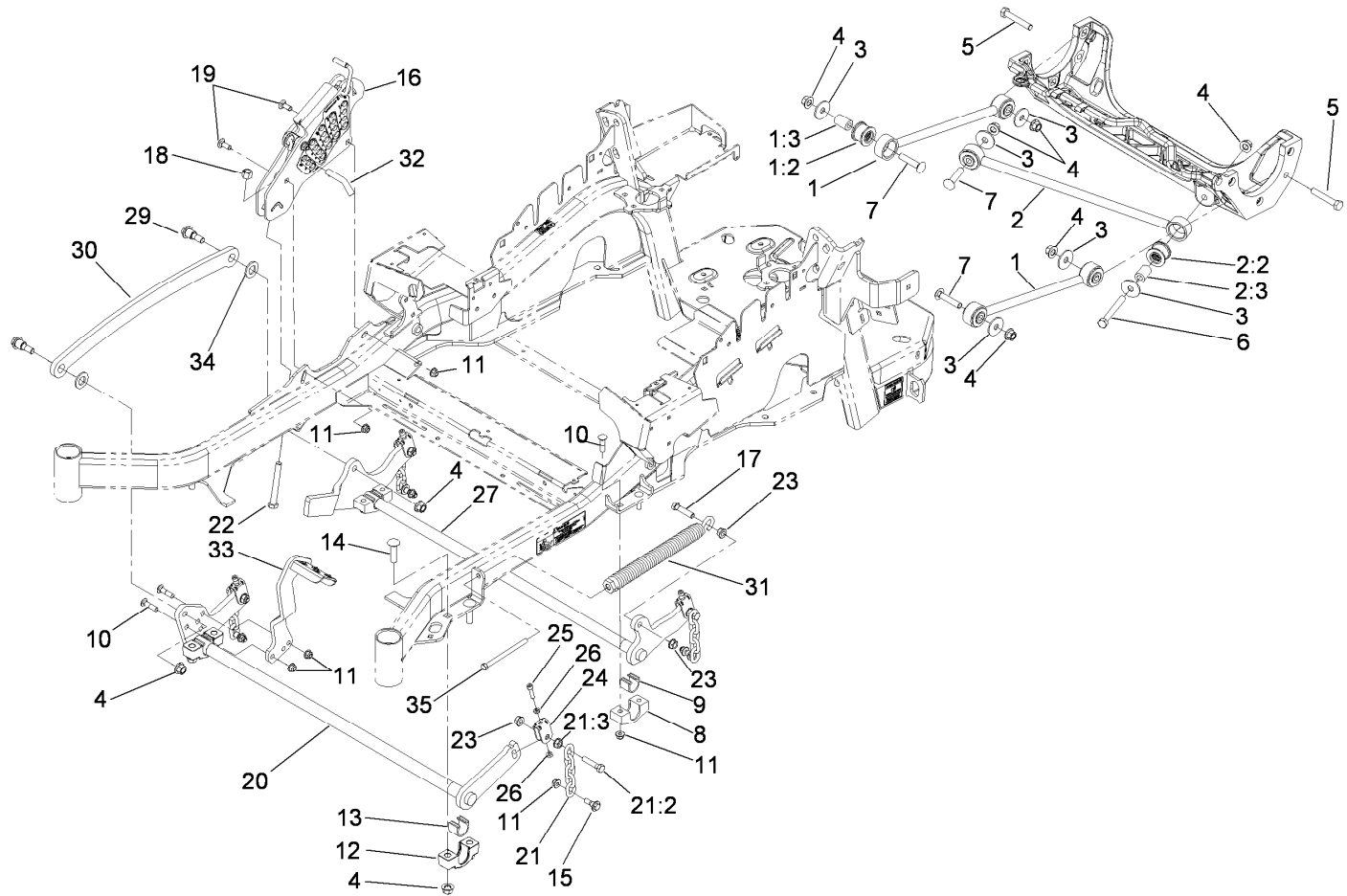
<i>Ref.</i>	<i>Part Number</i>	<i>Qty.</i>	<i>Description</i>
1	10-8040	1	Key-Square
2	106-3277	1	Hub-Pulley
3	103-0865	1	Washer-Blade Bolt, Heavy
4	106-3204	2	Shield-Bearing
5		1	Spindle Bearing ASM ●
5:1	106-3211	1	Housing-Spindle
5:2	113514	2	Bearing-Ball
5:3	107-8502	1	Spacer-Bearing
5:4	302-5	1	Fitting-Grease
6	3-8514	2	Washer-Thrust
7	107-8501	1	Spindle ASM
8	3219-6	1	Nut-Hex

● Not serviced separately



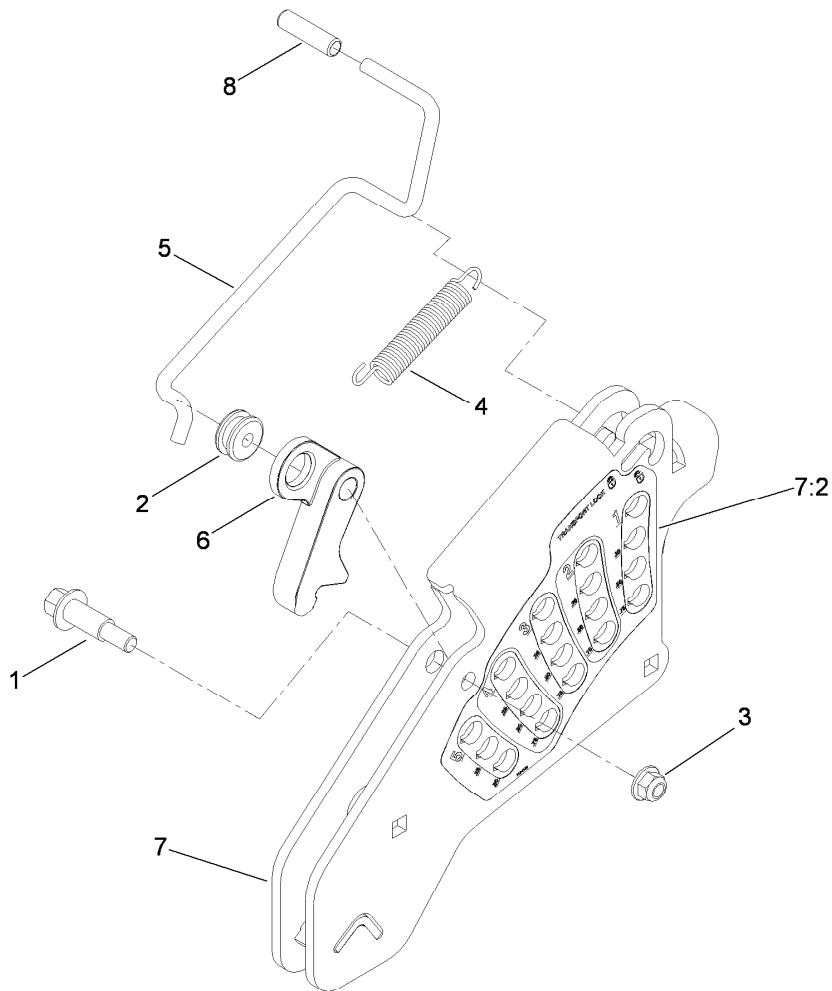
Rubber Deflector Assembly No. 108-7770

<i>Ref.</i>	<i>Part Number</i>	<i>Qty.</i>	<i>Description</i>
1	3231-25	4	Screw-CARR
2	106-3248-03	1	Strap-Discharge
3	108-5029	1	Deflector-Rubber
4	108-7767-03	1	Bracket-Hinge, Rear
5	108-7766-03	1	Bracket-Hinge, Front
6	3296-39	4	Nut-Lock, NI



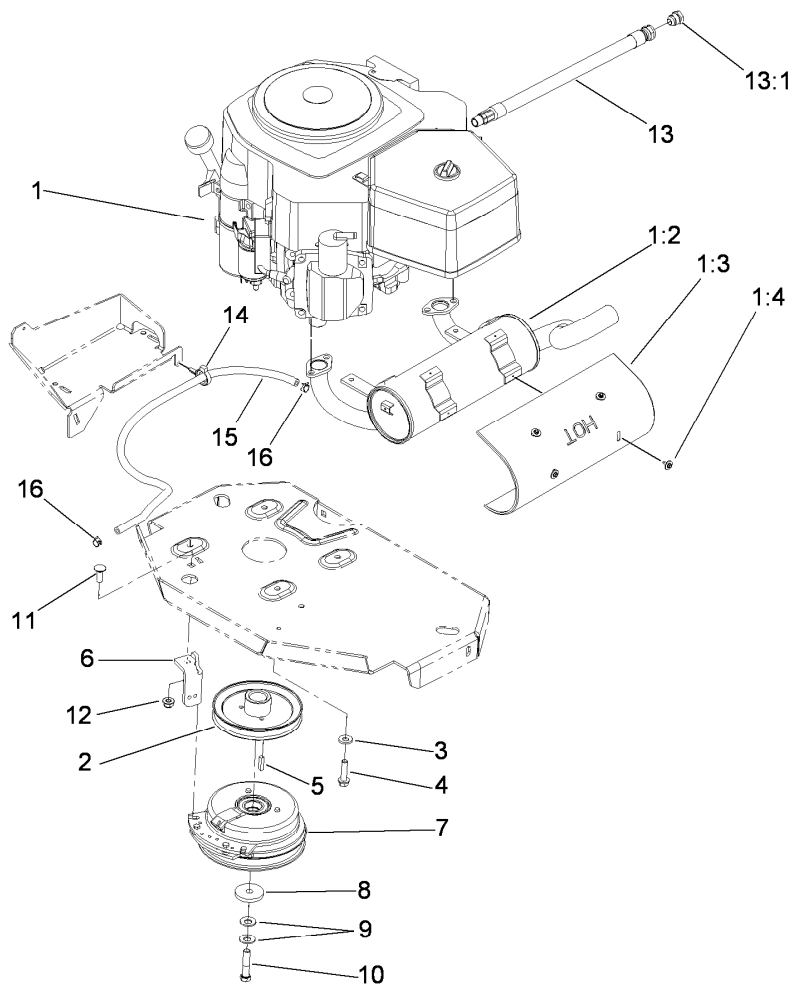
Deck Lift Assembly

Ref.	Part Number	Qty.	Description	Ref.	Part Number	Qty.	Description
1	109-7952	2	Deck Strut ASM	15	109-9840	4	Screw-Shoulder, HHF
1:2	109-5009	2	Bushing-Suspension, Rubber	16	109-7438	1	Height-Of-Cut ASM
1:3	109-5010	2	Spacer	17	109-9065	1	Screw-HH
2	109-5013	1	Panhard Rod ASM	18	3296-23	1	Nut-Lock, NI
2:2	109-5009	2	Bushing-Suspension, Rubber	19	3231-2	2	Screw-CARR
2:3	109-5010	2	Spacer	20	116-0465-03	1	Lift-Deck, Front
3	86-1990	6	Washer	21	116-0756	4	Deck Lift Chain ASM
4	99-5107	12	Nut-Lock	21:2	109-9065	1	Screw-HH
5	325-12	2	Screw-HH	21:3	32128-37	1	Nut-HF
6	325-17	1	Screw-HH	22	116-0559	1	Bolt-TAP
7	3233-34	3	Screw-CARR	23	32128-37	6	Nut-HF
8	109-7171-03	2	Support-Bearing, Cross Shaft	24	109-9066	4	Yoke-Adjust, Deck
9	109-7173	2	Bearing-Cross, Rear Shaft	25	3274-18	4	Screw-HSH
10	3231-4	6	Screw-CARR	26	3218-2	8	Nut-Jam
11	104-8301	12	Nut-Flange, NI	27	116-0459-03	1	Lift-Deck, Rear
12	109-9409	2	Support-Cross Shaft, Bearing Front	29	116-0780	2	Screw-HHF, Shoulder
13	109-9410	2	Bearing-Shaft Front, Cross	30	116-0797-03	1	Link-Lift, Deck
14	3233-37	4	Screw-CARR, Short Neck	31	116-0886	1	Extension Spring ASM
				32	109-8757	1	Pin-HOC
				33	109-9071-01	1	Lever-Foot
				34	3256-28	2	Washer-Flat
				35	323-58	1	Bolt-TAP, HH



Height-of-Cut Assembly No. 109-7438

<i>Ref.</i>	<i>Part Number</i>	<i>Qty.</i>	<i>Description</i>
1	62-1330	1	Bolt-Shoulder
2	109-7130	1	Grommet
3	104-8301	1	Nut-Flange, NI
4	109-7124	1	Spring-Extension
5	109-7128	1	Rod-Lock, Transport
6	116-0118	1	Pawl-Transport, HOC
7	109-7335	1	HOC Plate ASM
7:2	116-0752	1	Decal-HOC
8	109-8250	1	Grip-Lever



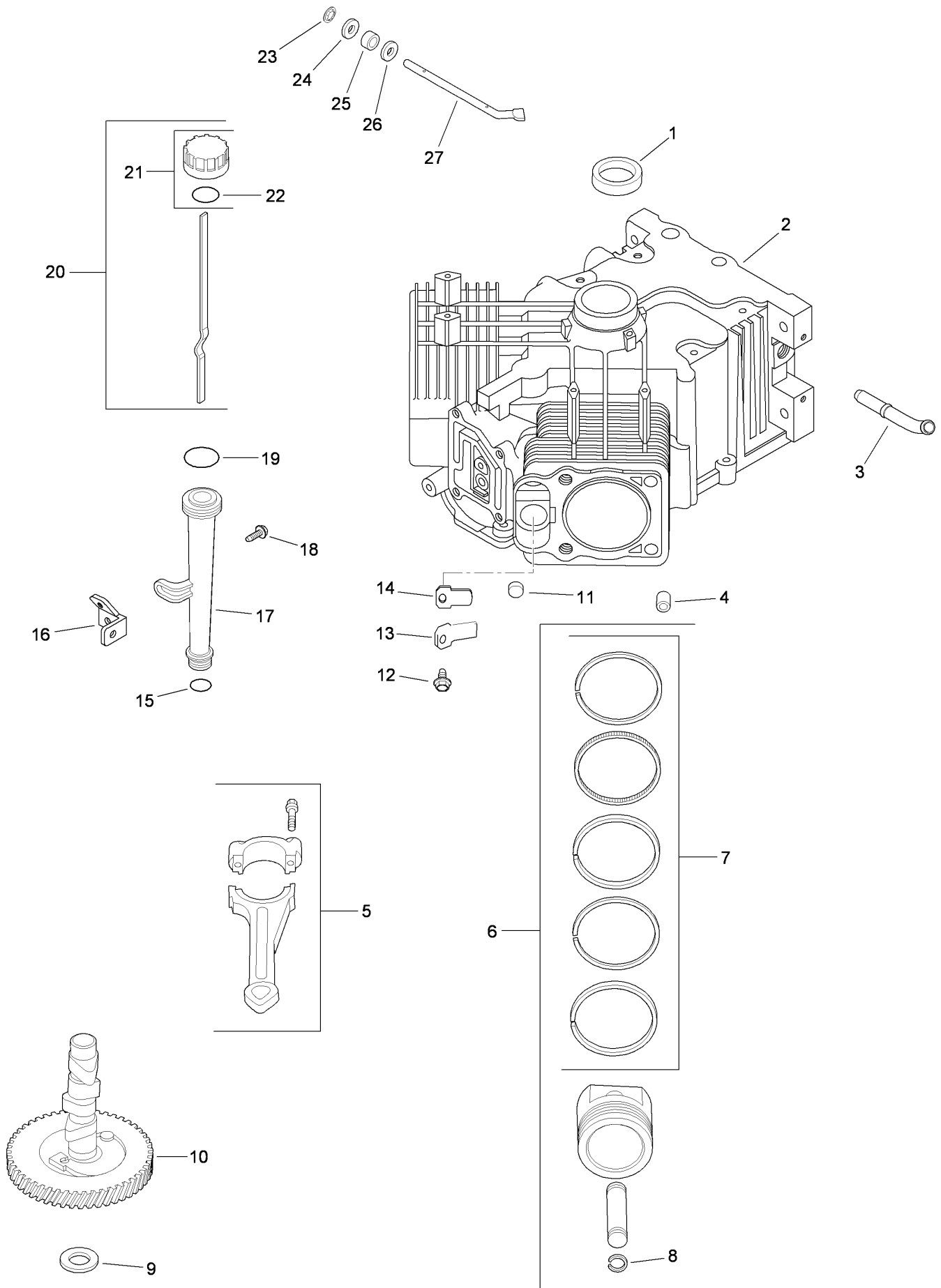
Engine, Clutch and Muffler Assembly

Ref.	Part Number	Qty.	Description
1		1	Engine-Kohler Cv680-3020 ●■
1:2	117-6151	1	Muffler
1:3	117-6152	1	Guard-Muffler
1:4	116-1103	4	Screw-HH, Thread Forming
2	109-9905	1	Sheave
3	98-5975	4	Washer-Belleville
4	32144-102	4	Screw-HWH
5	1-807259	1	Key
6	109-8138	1	Anchor-Clutch
7	109-9282	1	Clutch
8	109-6919	1	Washer-Clutch
9	1-603610	2	Washer-Spring
10	109-9762	1	Screw-HH W/Loctite
11	3231-22	1	Screw-CARR
12	104-8301	1	Nut-Flange, NI
13	116-0013	1	Oil Drain Hose ASM
13:1	109-1012	1	Plug
14	105-1853	1	Clamp-Hose
15	109-0286	1	Hose-Fuel
16	2412-98	2	Clamp

● Not serviced separately

■ Obtain parts from www.kohlerplus.com

Crankcase Assembly Kohler CV680-3020



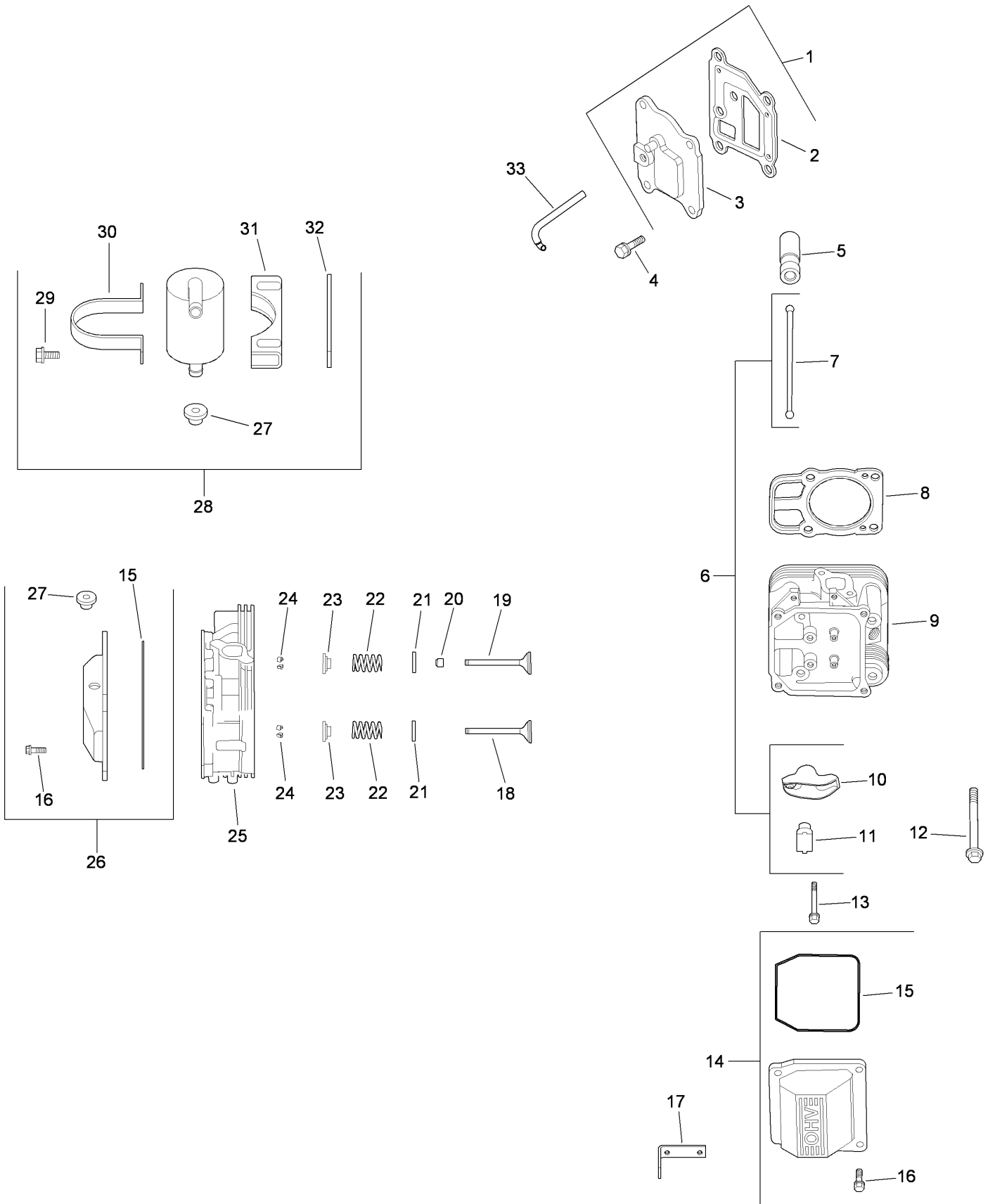
Crankcase Assembly Kohler CV680-3020 (continued)

<i>Ref.</i>	<i>Part Number</i>	<i>Qty.</i>	<i>Description</i>	<i>Ref.</i>	<i>Part Number</i>	<i>Qty.</i>	<i>Description</i>
1	24 032 19-S	1	Seal-Oil (Helix Lip) ■	10	24 012 10-S	1	Camshaft Kit ■
2	24 782 14	1	Cv23-674 Mini Block ■	11	52 139 09-S	1	Plug-Cup ■
3	24 294 13-S	1	Fitting ■	12	M-545010-S	2	Screw-HHFTF (M5X.80X10) ■
4	24 380 16-S	6	Pin-Locating ■	13	24 018 04-S	2	Retainer-Reed, Breather ■
5	24 067 24-S	2	Rod-Connecting (STD) ■	14	24 402 05-S	2	Reed-Breather ■
5	24 067 25-S	2	Rod-Connecting (.25) ■	15	12 153 01-S	1	O-Ring (Lower Oil Fill Tube) ■
6	24 874 34-S	2	Piston W/Ring Set (STD, 80Mm) (Includes 7, 8) ■	16	24 126 19-S	1	Bracket-Tube, Oil Fill ■
6	24 874 35-S	2	Piston W/Ring Set (.08) ■	17	12 123 35-S	1	Oil Fill Tube ASM ■
6	24 874 36-S	2	Piston W/Ring Set (.25) ■	18	M-545016-S	1	Screw-Flange, Thread Forming (M5X0.8X16) ■
6	24 874 37-S	2	Piston W/Ring Set (.50) ■	19	12 153 02-S	1	O-Ring (Upper Oil Fill Tube) ■
7	24 108 18-S	2	Piston Ring Set (STD) ■	20	24 038 04-S	1	Dipstick ASM (Includes 21, 22) ■
7	24 108 19-S	2	Piston Ring Set (.08) ■	21	24 755 46-S	1	Oil Fill Cap Kit (Yellow) ■
7	24 108 20-S	2	Piston Ring Set (.25) ■	22	25 153 02-S	1	O-Ring (Dipstick) ■
7	24 108 21-S	2	Piston Ring Set (.50) ■	23	24 018 09-S	1	Retainer-Ring ■
8	24 018 01-S	4	Retainer-Pin, Piston ■	24	M-931010-S	1	Washer-Flat (9Mm) ■
9	12 422 09-S	1	Shim-Camshaft (Red .032) ■	25	28 032 09-S	1	Seal-Cross Shaft, Governor ■
9	12 422 13-S	1	Shim-Camshaft (Black .04) ■	26	24 468 15-S	1	Washer-Flat (11/32) (Bottom) ■
9	12 422 07-S	1	Shim-Camshaft (White .028) ■	27	24 144 38-S	1	Shaft-Cross, Governor ■
9	12 422 08-S	1	Shim-Camshaft (Blue .03) ■		25 357 14-S	1	Lubricant-Camshaft ■●
9	12 422 10-S	1	Shim-Camshaft (Yellow .034) ■		24 755 108-S	1	Gasket Set ■●
9	12 422 11-S	1	Shim-Camshaft (Green .036) ■				
9	12 422 12-S	1	Shim-Camshaft (Gray .038) ■				

● Not illustrated

■ Obtain parts from www.kohlerplus.com

Head, Valve and Breather Assembly Kohler CV680-3020

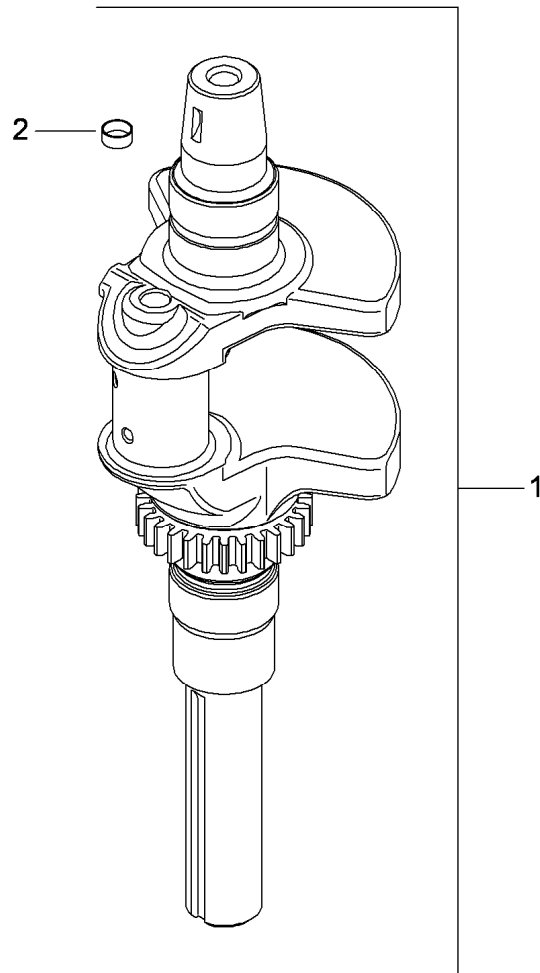


Head, Valve and Breather Assembly Kohler CV680-3020 (continued)

<i>Ref.</i>	<i>Part Number</i>	<i>Qty.</i>	<i>Description</i>	<i>Ref.</i>	<i>Part Number</i>	<i>Qty.</i>	<i>Description</i>
1	24 033 03-S	1	Breather Cover W/Gasket Kit (Includes 2, 3) ■	19	24 017 01-S	2	Valve-Intake (STD) ■
2	24 041 51-S	1	Gasket-Breather ■	19	24 017 02-S	2	Valve-Intake (.25) ■
3	24 096 87-S	1	Cover-Breather ■	20	66 032 05-S	2	Seal-Stem, Valve ■
4	M-645020-S	4	Screw-HHFTF (M6X1.0X20) ■	21	235011-S	4	Retainer-Spring ■
5	25 351 04-S	4	Hydraulic Valve Lifter Kit (Includes 25 357 14-S) ■	22	24 089 02-S	4	Spring-Valve ■
6	24 755 66-S	1	Valve Train Kit (Includes 7, 10, 11) ■	23	12 173 01-S	4	Cap-Spring, Valve ■
7	24 411 05-S	4	Rod-Push ■	24	12 755 03-S	4	Retainer Kit ■
8	24 841 02-S	2	Cylinder Head Gasket Kit ■	25	24 318 67-S	1	Cylinder Head ASM (Cylinder No.1) ■
9	24 318 70-S	1	Cylinder Head ASM (Cylinder No.2) ■	26	24 755 142-S	1	Breather Valve Cover ASM (Includes 15 [qty 1], 16 [qty 4], 27) ■
10	24 599 02-S	4	Pivot-Arm, Rocker ■	27	25 313 03-S	1	Grommet-Rubber ■
11	25 186 01-S	4	Arm-Rocker ■	28	24 755 57-S	1	Breather Valve Cover Kit (Includes 27, 29-32) ■
12	M-640034-S	4	Screw-Flange (M6X1.0X34) ■	29	M-545016-S	2	Screw-Flange, Thread Forming (M5X0.8X16) ■
13	12 086 12-S	8	Screw ■	30	24 445 02-S	1	Strap-Breather ■
14	24 755 141-S	1	Plain Rocker Cover Kit (Includes 15 [qty 1], 16 [qty 4]) ■	31	24 126 44-S	1	Bracket-Separator, Breather ■
15	24 153 30-S	2	O-Ring (Valve Cover) ■	32	24 112 12-S	1	Spacer ■
16	M-651030-S	8	Screw-Flange (M6X1.0X30) ■	33	24 326 03-S	1	Hose-Breather ■
17	24 445 01-S	1	Strap-Lifting ■		24 755 147-S	2	Cylinder Head Hardware Kit (Services 1 Head. Qtys Listed For Both Heads) (Includes Items 7, 10-12, 18-24) ■●
18	24 016 01-S	2	Valve-Exhaust (STD) ■			1	Lubricant-Camshaft ■●
18	24 016 02-S	2	Valve-Exhaust (.25) ■		25 357 14-S	1	Lubricant-Camshaft ■●

● Not illustrated

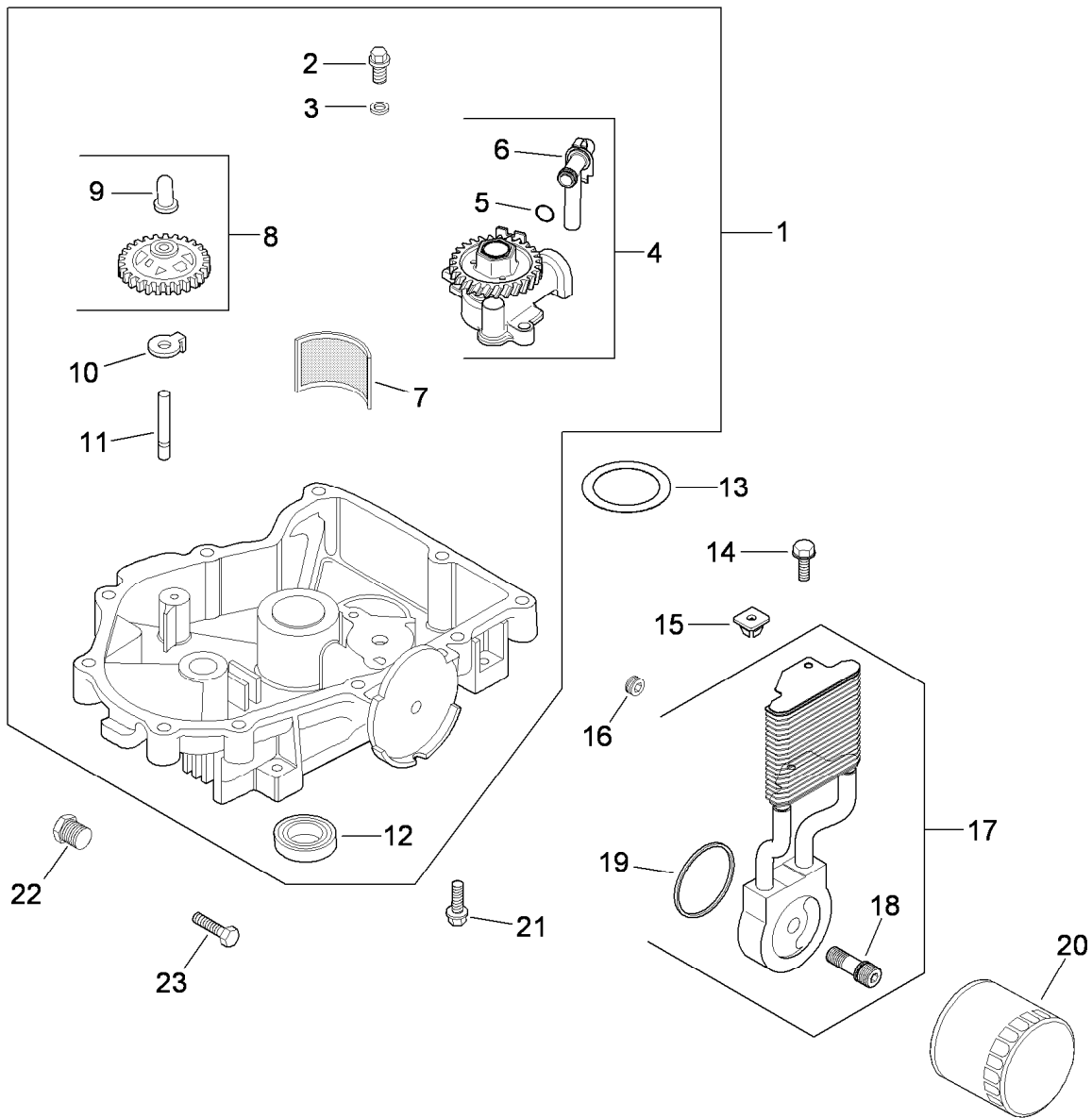
■ Obtain parts from www.kohlerplus.com



Crankshaft Assembly

<i>Ref.</i>	<i>Part Number</i>	<i>Qty.</i>	<i>Description</i>
1	24 014 72-S	1	Crankshaft ASM (Includes 2) ●
2	52 139 09-S	1	Plug-Cup ●

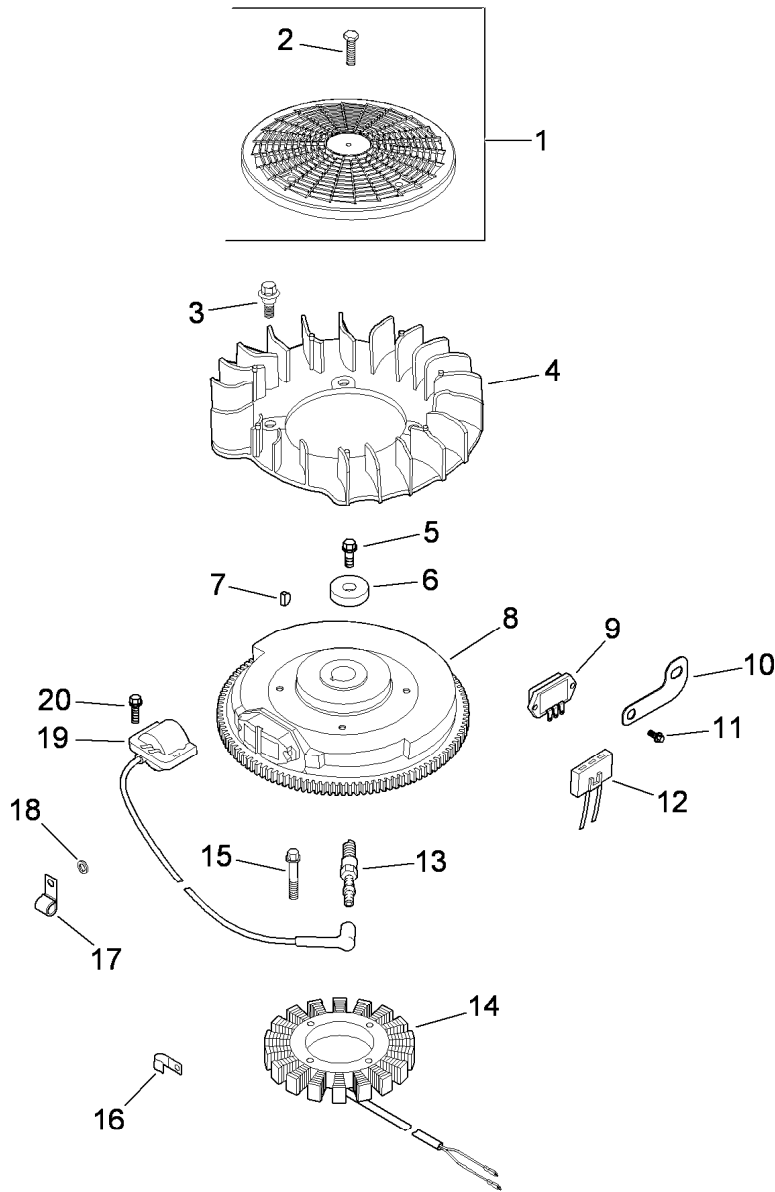
● Obtain parts from www.kohlerplus.com



Oil Pan and Lubrication Assembly Kohler CV680-3020

Ref.	Part Number	Qty.	Description	Ref.	Part Number	Qty.	Description
1	24 199 24-S	1	Oil Pan ASM (Includes 2-12)	12	25 032 06-S	1	Seal-Oil ●
2	M-645025-S	2	Screw-Flange, Thread Forming (M6X1.0X25) ●	13	24 153 08-S	1	O-Ring ●
3	M-631005-S	2	Washer-Flat (6 Mm) ●	14	24 086 12-S	2	Screw-TAP (M6X1.7X18) ●
4	24 393 51-S	1	Oil Pump ASM (Includes 5, 6) ●	15	25 100 37-S	2	Nut-Plastic (Black) ●
5	24 153 01-S	1	O-Ring (Oil Pick-Up) ●	16	25 139 62-S	1	Plug-Pipe, HH (3/8) ●
6	24 381 11-S	1	Tube-Pickup, Oil ●	17	54 755 21-S	1	Oil Cooler Kit (Metal) (Includes 18, 19) ●
7	24 162 26-S	1	Screen-Oil ●	18	24 136 05-S	1	Nipple-Filter, Oil ●
8	24 043 12-S	1	Governor Gear W/Pin Kit (Includes 9) ●	19	24 153 21-S	1	O-Ring (Oil Cooler) ●
9	12 380 01-S	1	Pin-Regulating, Governor ●	20	52 050 02-S	1	Filter-Oil ●
10	24 448 02-S	1	Tab-Locking ●	21	24 086 17-S	9	Screw-Flange (M8X1.25X45) ●
11	12 144 02-S	1	Shaft-Gear, Governor ●	22	25 139 57-S	1	Plug-Pipe, Sq HD (3/8) ●
				23	25 086 17-S	1	Screw ●

● Obtain parts from www.kohlerplus.com

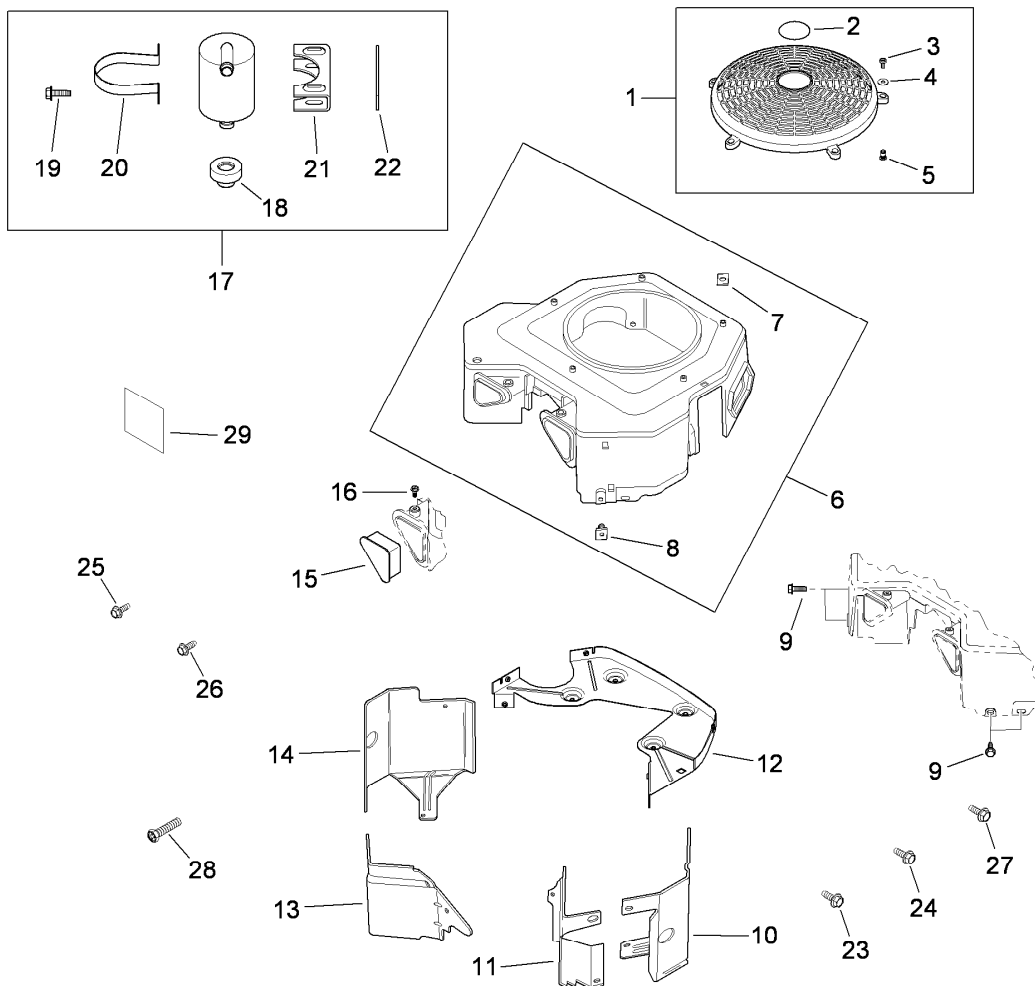


Ignition and Electrical Assembly Kohler CV680-3020

Ref.	Part Number	Qty.	Description	Ref.	Part Number	Qty.	Description
1	54 755 15-S	1	Grass Screen Kit (Includes 2) ■	13	25 132 14-S	2	Spark Plug (R F I) ■
2	25 086 117-S	4	Screw-Flange, Sems (M4X.7X25) ■	14	237878-S	1	15 Amp Stator Kit (Includes 25 452 01-S) ■
3	25 086 47-S	4	Bolt-Shoulder (M6X1.0X16) ■	15	M-548025-S	2	Screw-Thread Forming (M5X0.8X25) ■
4	24 157 12-S	1	Fan ■	16	235173-S	1	Clip-Cable ■
5	12 086 14-S	1	Screw-Flange (M10X1.5X45) ■	17	210281-S	1	Clip ■
6	12 468 03-S	1	Washer-Flat (13/32) ■	18	X-25-63-S	1	Washer-Flat (1/4) ■
7	X-42-15-S	1	Key (3/16 X 5/8) ■	19	24 584 45-S	2	Module-Ignition (C D I Fixed) ■
8	24 025 55-S	1	Flywheel ASM ■	20	M-545020-S	4	Screw-Flange, Thread Forming (M5X.8X20) ■
9	41 403 10-S	1	Rectifier/Regulator ■	24 176 137-S	1	Wiring Harness ASM ■●	
10	24 126 137-S	1	Bracket-Strap, Ground ■	25 454 07-S	2	Tie-Wire ■●	
11	25 086 157-S	2	Screw-Hex Flange, Hi-Lo ■	25 452 01-S	2	Terminal ■●	
12	25 155 41-S	1	Connector (3 Contact) ■				

● Not illustrated

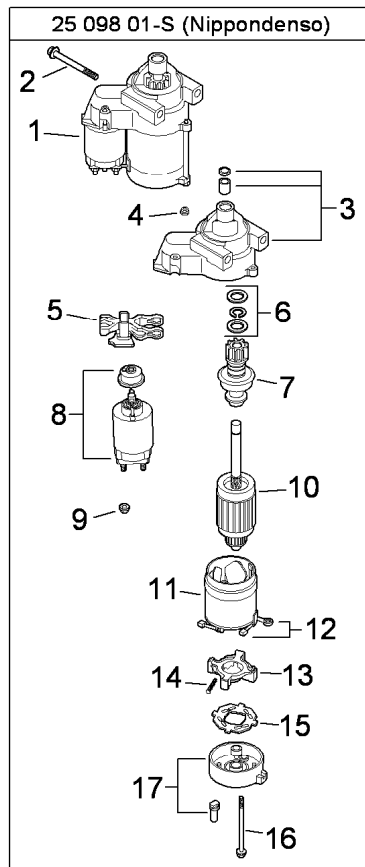
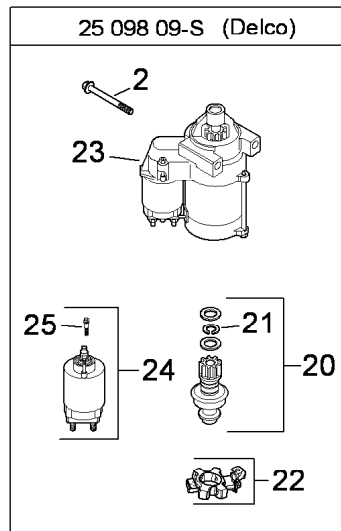
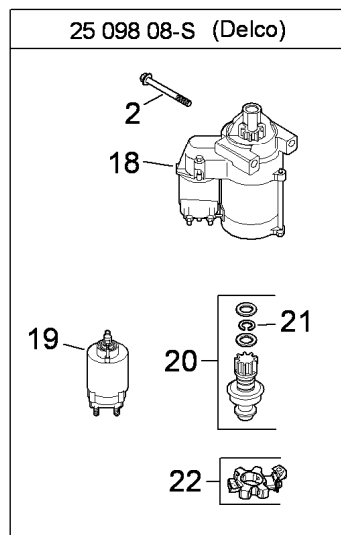
■ Obtain parts from www.kohlerplus.com



Blower Housing Assembly Kohler CV680-3020

Ref.	Part Number	Qty.	Description	Ref.	Part Number	Qty.	Description
1	24 755 81-S	1	Fixed Guard Kit (Includes 2-5) ●	16	25 086 91-S	1	Screw-Wsh HD Tap (8-18X.50) ●
2	24 113 18-S	1	Decal-Screen, Grass ●	17	24 755 57-S	1	Breather Separator Kit (Includes 18-22) ●
3	25 086 160-S	5	Screw-Sems ●	18	25 313 03-S	1	Grommet-Rubber ●
4	24 468 10-S	5	Washer-Plain (1/4) ●	19	M-545016-S	3	Screw-Flange, Thread Forming (M5X0.8X16) ●
5	24 332 01-S	5	Insert-Threaded ●	20	24 445 02-S	1	Strap-Breather ●
6	24 027 91-S	1	Blower Housing Kit (Includes 7, 8) ●	21	24 126 44-S	1	Bracket-Separator, Breather ●
7	25 100 37-S	1	Nut-Plastic (Black) ●	22	24 112 12-S	1	Spacer ●
8	24 100 02-S	4	Nut-Plastic ●	23	M-645016-S	1	Screw-Flange, Thread Forming (M6X1.0X16) ●
9	M-645016-S	4	Screw-Flange, Thread Forming (M6X1.0X16) ●	24	M-645020-S	3	Screw-HHFTF (M6X1.0X20) ●
10	24 063 39-S	1	Baffle-Barrel, Cylinder (No. 2 Side) Use 24 063 76-S Baffle ●	25	M-561016-S	1	Screw-Flange, Thread Forming (M5X.80X16) ●
11	24 063 90-S	1	Baffle-Valley, Cylinder (No.2 Side) ●	26	M-545010-S	2	Screw-HHFTF (M5X.80X10) ●
12	24 146 55-S	1	Plate-Backing ●	27	M-645016-S	2	Screw-Flange, Thread Forming (M6X1.0X16) ●
13	24 063 89-S	1	Baffle-Valley, Cylinder (No.1 Side) ●	28	24 086 18-S	2	Screw-Phl HD (11-16X.88) ●
14	24 063 45-S	1	Barrel-Cylinder (No.1 Side) ●	29	41 037 10-S	1	Nameplate-Service ●
15	24 096 17-S	2	Cover-Housing, Blower ●				

● Obtain parts from www.kohlerplus.com



Service starter components according to the part number printed on the starter

Starter components are NOT interchangeable

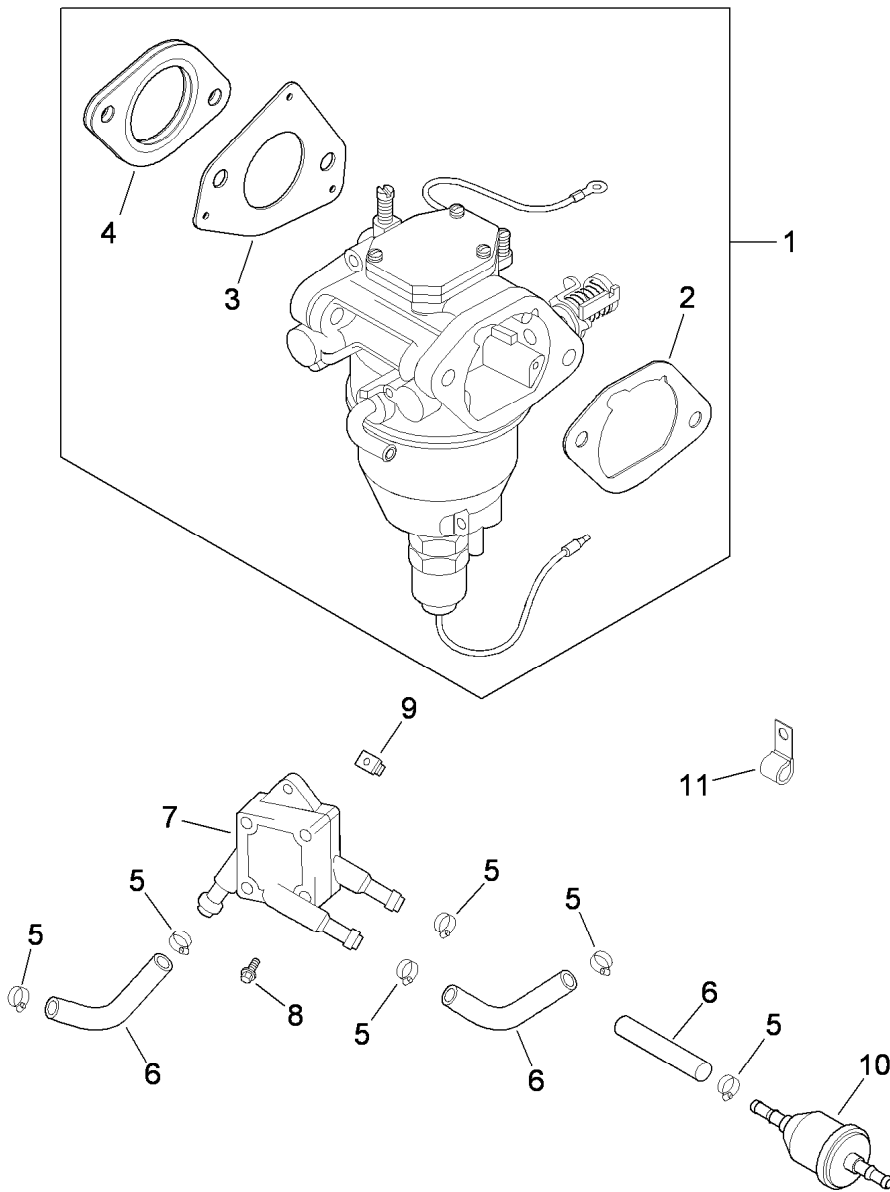
To replace complete Starter Assembly, Order Part Number 25 098 09-S

Starter Assembly Kohler CV680-3020

Ref.	Part Number	Qty.	Description
1	24 098 01-S	1	Starter ASM (Solenoid Shift) (Use 25 098 08-S Starter) ●
2	M-839080-S	2	Screw-Flg (M8X1.25X80) ●
3	24 081 04-S	1	Cap-End, Drive ●
4	52 100 09-S	1	Nut ●
5	12 090 10-S	1	Lever-Drive, Starter ●
6	24 755 84-S	1	Starter Repair Kit ●
7	12 239 01-S	1	Drive-Pinion ●
8	52 435 02-S	1	Solenoid ●
9	52 100 10-S	2	Nut-Starter ●
10	12 170 04-S	1	Armature-Starter ●
11	12 471 01-S	1	Frame W/Brushes ASM ●
12	52 323 03-S	1	Holder-Brush ●
13	52 221 01-S	1	Brush And Spring Kit ●
14	52 089 09-S	1	Spring-Brush ●
15	52 168 01-S	1	Insulator ●

Ref.	Part Number	Qty.	Description
16	52 211 05-S	2	Bolt-Thru ●
17	24 301 01-S	1	Commutator-Cap, End ●
18	25 098 08-S	1	Starter ASM (Solenoid Shift) (Use 25 098 09-S Starter) ●
19	25 435 04-S	1	Solenoid Kit ●
20	25 755 33-S	1	Starter Pinion Drive Kit (Includes 21) ●
21	25 141 05-S	1	Ring-Retaining ●
22	25 221 01-S	1	Brush Holder Kit ●
23	25 098 09-S	1	Starter ASM (Solenoid Shift) (Includes 2, 20, 21, 22, 24, 25) ●
24	25 435 06-S	1	Solenoid Kit (Includes 25) ●
25	25 086 113-S	3	Screw-Torx Head, External ●

● Obtain parts from www.kohlerplus.com

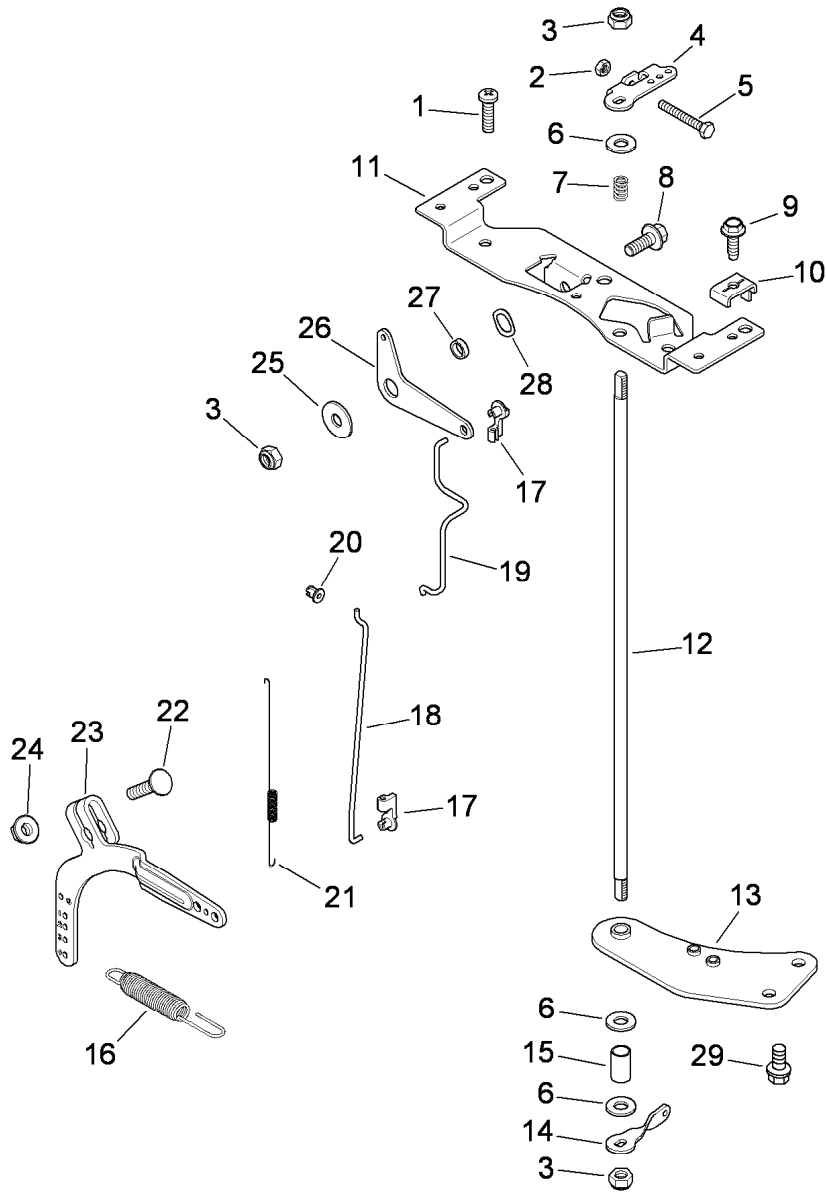


Fuel System Assembly Kohler CV680-3020

Ref.	Part Number	Qty.	Description
1	24 853 97-S	1	Carburetor Kit W/Gaskets (Includes 2-4) ■
2	24 041 14-S	1	Gasket-Base, Air Cleaner ■
3	24 041 52-S	1	Gasket-Carburetor ■
4	24 041 15-S	1	Gasket-Carburetor ■
5	25 237 14-S	6	Clamp-Hose, Spring (1/2) ■
6	25 111 34-S	2	Line-Fuel (24.0 Cut To Length) ■
7	24 393 16-S	1	Pump-Fuel ■
8	24 086 12-S	2	Screw-TAP (M6X1.7X18) ■
9	25 100 37-S	2	Nut-Plastic (Black) ■
10	24 050 13-S	1	Filter-Fuel ■
11	47 154 01-S	1	Clip-Cable ■
	24 757 36-S	1	Choke Repair/Service Kit ■●
	24 757 44-S	1	Float Repair Kit ■●
	24 757 45-S	1	Solenoid Valve Repair Kit ■●
	24 757 46-S	1	Overhaul Kit W/Gaskets ■●

● Not illustrated

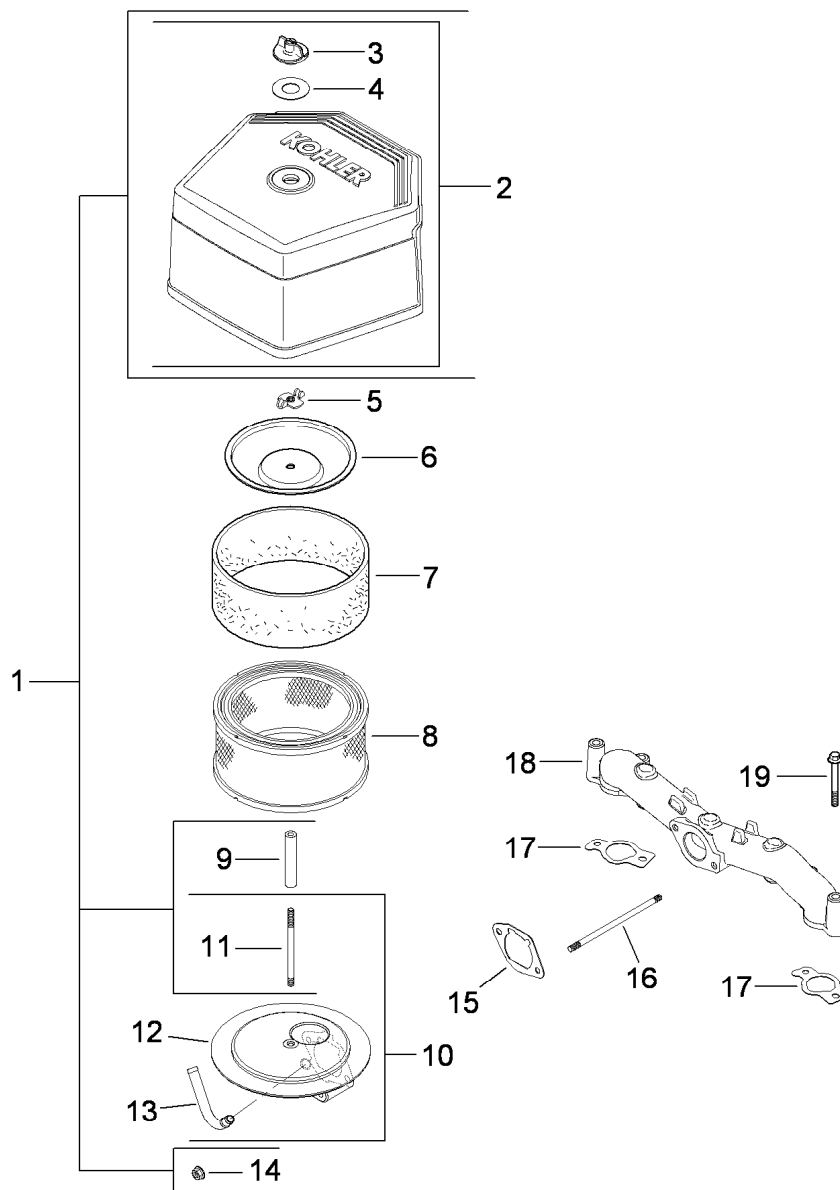
■ Obtain parts from www.kohlerplus.com



Engine Control Assembly Kohler CV680-3020

Ref.	Part Number	Qty.	Description	Ref.	Part Number	Qty.	Description
1	24 086 06-S	2	Screw-PPH (11-16X3/4) ●	17	25 158 11-S	2	Bushing-Retaining, Linkage ●
2	M-446030-S	1	Nut (M4X0.7) ●	18	24 079 04-S	1	Linkage-Throttle ●
3	M-647060-S	3	Nut-Lock (M6X1.0) ●	19	24 079 10-S	1	Linkage-Choke ●
4	24 090 09-S	1	Lever-Control, Throttle ●	20	25 158 08-S	1	Bushing-Linkage, Throttle ●
5	M-401030-S	1	Screw (M4X0.7X30) ●	21	24 089 01-S	1	Spring-Linkage ●
6	X-25-72-S	1	Washer-Plain (1/4) ●	22	24 211 03-S	1	Bolt-Sq Neck, Rd HD (M6X1.0X25) ●
7	24 089 20-S	1	Spring-Shaft, Throttle ●	23	24 090 51-S	1	Lever-Governor ●
8	M-639016-S	1	Screw-HF (M6X1.0X16) ●	24	M-641060-S	1	Nut-Flange (M6X1.0) ●
9	M-545016-S	2	Screw-Flange, Thread Forming (M5X0.8X16) ●	25	X-25-52-S	1	Washer-Flat (1/4) ●
10	12 237 01-S	2	Clamp-Cable ●	26	24 090 20-S	1	Lever-Choke ●
11	24 126 111-S	1	Bracket-Control ●	27	25 431 01-S	1	Spacer ●
12	24 144 11-S	1	Shaft-Throttle ●	28	277341-S	1	Washer-Spring (3/8) ●
13	24 126 162-S	1	Bracket-Shaft, Throttle ●	29	M-645016-S	1	Screw-Flange, Thread Forming (M6X1.0X16) ●
14	24 090 12-S	1	Lever-Control, Throttle ●				
15	24 112 10-S	1	Spacer ●				
16	24 089 49-S	1	Spring-Governor (Orange) ●				

● Obtain parts from www.kohlerplus.com

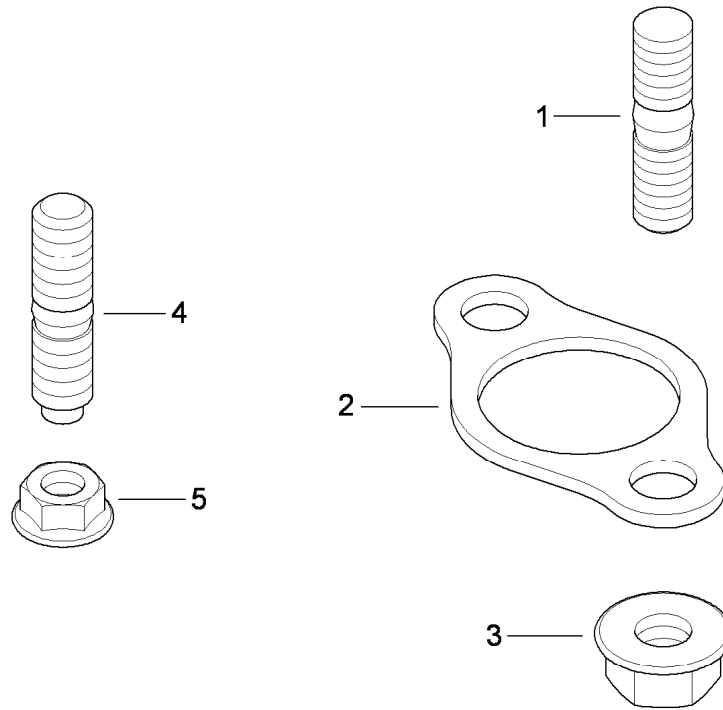


Air Intake and Filtration Assembly Kohler CV680-3020

Ref.	Part Number	Qty.	Description
1	24 743 17-S	1	Air Cleaner ASM (W A W B) (Includes 2-4, 9, 11, 14) ●
2	24 743 11-S	1	Air Cleaner Cover ASM (Includes 3, 4) ●
3	25 341 04-S	1	Knob-Cover ●
4	24 041 27-S	1	Gasket-Cover Knob, Air Cleaner ●
5	12 100 01-S	1	Nut-Wing ●
6	52 082 04-S	1	Cover-Air Cleaner, Inner ●
7	45 083 01-S	1	Element-Cleaner, Pre ●
8	45 083 02-S	1	Element-Cleaner, Air ●
9	24 032 04-S	1	Seal ●

Ref.	Part Number	Qty.	Description
10	24 054 20-S	1	Air Cleaner ASM (Includes 11-13) ●
11	24 072 06-S	1	Stud (M6X1.0X93) ●
12	24 054 07-S	1	Base-Cleaner, Air ●
13	24 294 01-S	1	Elbow ●
14	M-641060-S	2	Nut-Flange (M6X1.0) ●
15	24 041 14-S	1	Gasket-Base, Air Cleaner ●
16	M-629128-S	2	Stud (M6X1.0X128) ●
17	24 041 01-S	2	Gasket-Manifold, Intake ●
18	24 164 06-S	1	Manifold-Intake ●
19	25 086 84-S	4	Screw-HF (M6X1.0X55) ●

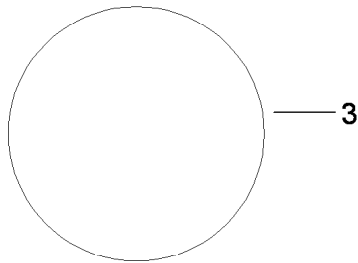
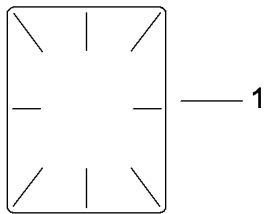
● Obtain parts from www.kohlerplus.com



Exhaust Assembly Kohler CV680-3020

<i>Ref.</i>	<i>Part Number</i>	<i>Qty.</i>	<i>Description</i>
1	24 072 08-S	4	Stud-Exhaust (M6X1.0X37) ●
2	24 041 49-S	2	Gasket-Exhaust ●
3	M-841080-S	4	Nut-Flange (M8X1.25) ●
4	25 072 14-S	4	Stud (M8X1.25X33) ●
5	M-641060-S	4	Nut-Flange (M6X1.0) ●

● Obtain parts from www.kohlerplus.com



Artwork is representative
Actual labels may differ depending on model and specification number

Decals Kohler CV680-3020

<i>Ref.</i>	<i>Part Number</i>	<i>Qty.</i>	<i>Description</i>
1	25 113 39-S	1	Decal-Laminate, Clear ●
2	24 113 25-S	1	Decal-Cooler, Oil ●
3	24 113 18-S	1	Decal-Screen, Grass ●
4	24 113 81-S	1	Decal-23 Hp ●

● Obtain parts from www.kohlerplus.com

Attachments and Accessories

For 74901 Z Master G3 Riding Mower, with 48in TURBO FORCE Side Discharge Mower

Product Name	Model/Part
Hitch Kit	109-9487
Hypr-Oil 500 (quart)	114-4713
Hypr-Oil 500 (gallon).....	114-4714
Hypr-Oil 500-5 (5 gallon).....	114-4715
Bimini Folding Shade Assembly	115-4510
Recycler Kit	115-7466
Light Kit.....	116-1154
Z Stand Kit.....	117-0350
Operator-Controlled Discharge Chute Kit	117-3600
Deluxe Suspension Seat Kit	117-6174
Blower and Drive Kit	78551
E-Z Vac Twin Bagging System.....	78562
E-Z Vac DFS Collection System	78566
Trash Holder Kit.....	TC26

Notes:

Notes:

Notes:



Count on it.