



Count on it.

Parts Catalog

Z500 Z Master®

**With 52in TURBO FORCE® Side Discharge
Mower**

Model No. 74295—Serial No. 310000001 and Up

Ordering Replacement Parts

To order replacement parts, please supply the part number, the quantity, and the description of each part desired.

Understanding Reference Numbers

Each identified part in an illustration has a reference number. The reference number for a part also appears in the parts list, along with other information about the part.

This catalog uses two special reference number formats, one to indicate parts in a service assembly and another to indicate the quantity of a given part in an illustration.

Service Assembly Reference Numbers

Parts in service assemblies have reference numbers in the form a:b. The a represents the reference number of the entire service assembly and the b represents a sequential number unique to each part within the service assembly.

For example, a wheel assembly might be identified by reference number 6, the tire by 6:1, the valve by 6:2, and the wheel by 6:3. When you order the assembly identified by reference number 6, you receive all parts identified by reference numbers 6:1, 6:2, and 6:3. However, you may also order any part individually. Reference numbers of this type appear in illustration and in parts lists.

Reference Numbers Indicating Quantity

In an illustration, if a reference number indicates more than one part, the reference number has the form nX y. The n represents the quantity of the part, the X is the multiplication symbol, and the y represents the reference number.

For example, in an illustration, the reference number 2X 37 means that two of the parts identified by reference number 37 are indicated.

List of Abbreviations

AR: as required

ASM: assembly

BBC: blade brake control

BHTF: button head thread forming

CARR: carriage

CCW: counter clockwise

CW: clockwise

DEG: degrees

ECM: electronic control module

EXT: external

FH: flat head

GA: gauge

HD: heavy-duty

HF: hex flange

HH: hex head

HHF: hex head flange

HHFTF: hex head flange thread forming

HJ: hex jam

HLH: hex lag head

HOC: height-of-cut

HSBH: hex socket button head

HSFH: hex socket flat head

HSH: hex socket head

HWH: hex washer head

HWHTF: hex washer head thread forming

HYD: hydraulic

LH: left hand

LP: Liquid Propane

NI: nylon insert

NPTF: national pipe thread fine

PFH: phillips flat head

PPH: phillips pan head

PPHTF: phillips pan head thread forming

PRH: phillips round head

PTH: phillips truss head

PTO: power-take-off

RH: right hand

ROPS: roll-over protection system

RRB: rear roller brush

SFH: slotted fillister head

SHH: slotted hex head

SHWH: slotted hex washer head

SPH: slotted pan head

SQH: square head

SRH: slotted round head

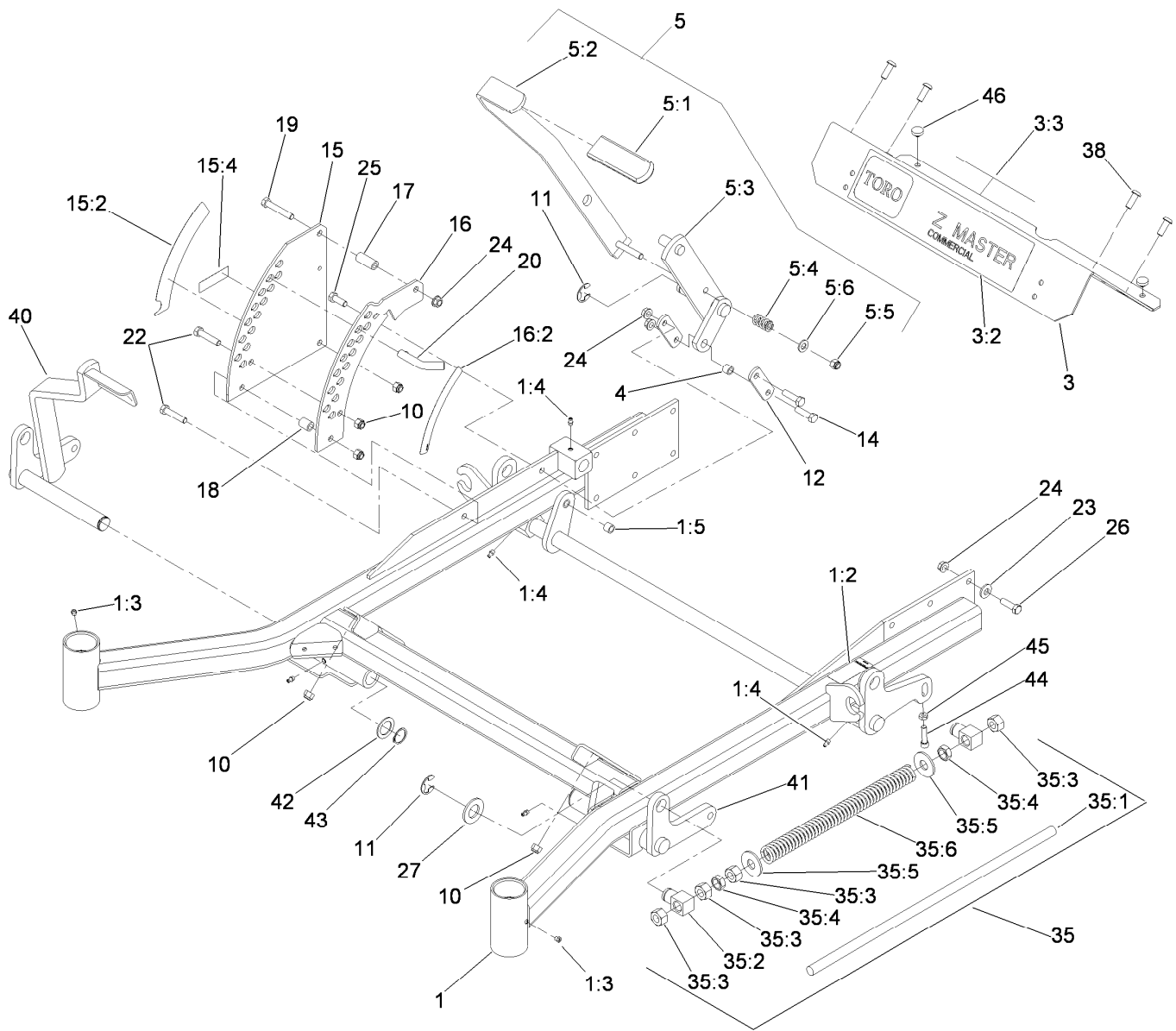
STD: standard

TAP: self tapping

TTH: torx truss head

Contents

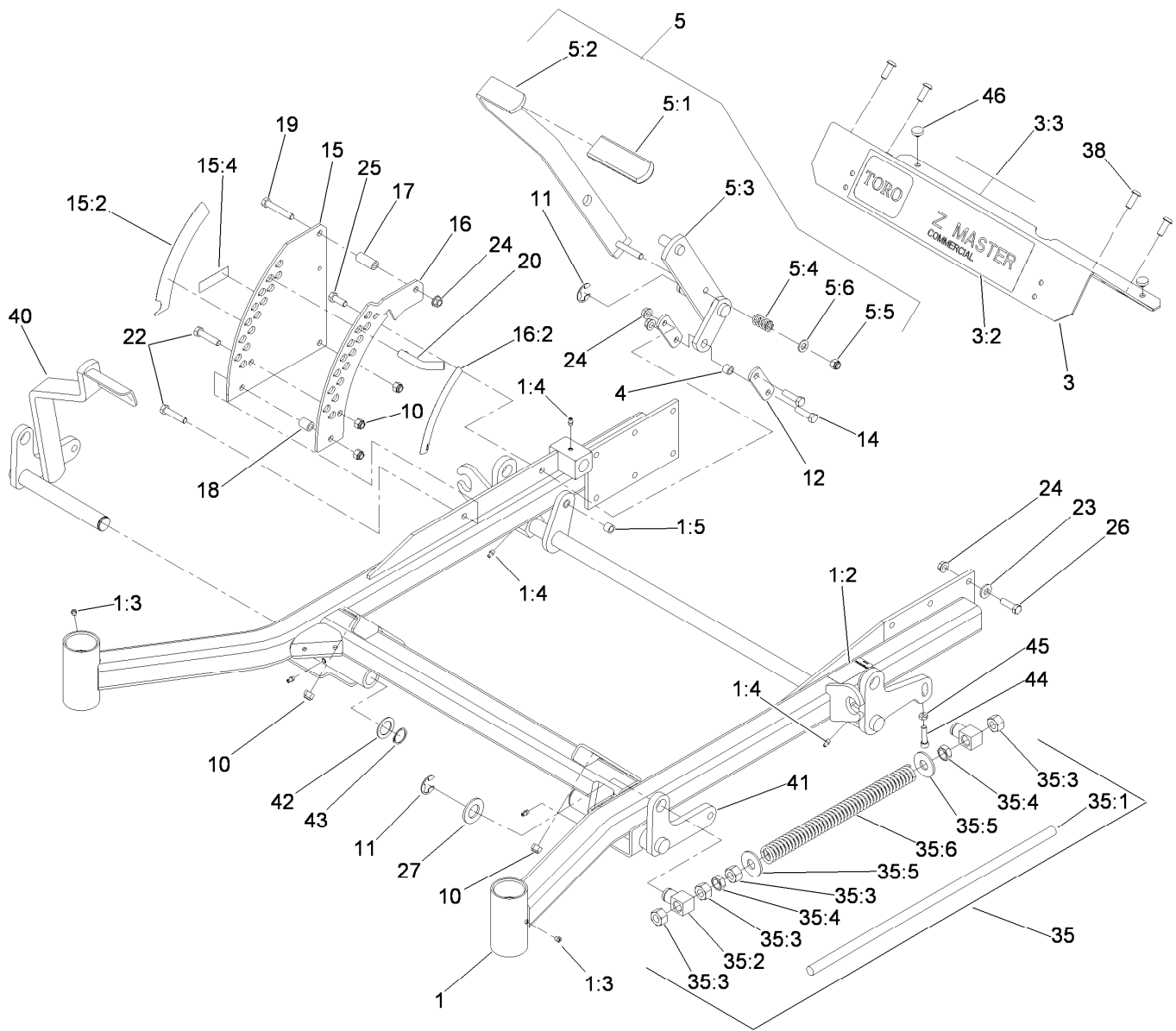
| | |
|---|----|
| Front Frame Assembly | 4 |
| Fork and Caster Wheel Assembly | 6 |
| Main Frame and Rear Wheel Assembly | 7 |
| Brake and Wheel Hub Assembly | 8 |
| Motion Control Assembly | 9 |
| LH Motion Control Assembly No. 109-3906 | 10 |
| RH Motion Control Assembly No. 109-3907 | 11 |
| Hydraulic Assembly | 12 |
| Hydraulic Wheel Motor No. 1-523328 | 14 |
| Pump Idler Assembly No. 103-5679 | 15 |
| Seat and Roll-Over Protection System Assembly | 16 |
| Seat Assembly No. 116-0035 | 17 |
| Roll-Over Protection System Assembly No. 117-3879 | 18 |
| Deck Connection Assembly | 19 |
| Deck Assembly | 20 |
| Spindle Assembly No. 117-6158 | 22 |
| Deck Decal Assembly No.119-4205 | 23 |
| Rubber Deflector Assembly No. 108-7770 | 24 |
| Idler Assembly | 25 |
| Engine and Clutch Assembly | 26 |
| Muffler and Guard Assembly | 27 |
| Fuel System Assembly | 28 |
| Electrical Assembly | 29 |
| Attachments and Accessories | 30 |



Front Frame Assembly

| Ref. | Part Number | Qty. | Description | Ref. | Part Number | Qty. | Description |
|------|-------------|------|----------------------|------|-------------|------|--------------------------|
| 1 | 106-8978 | 1 | Frame ASM | 14 | 323-29 | 2 | Screw-HH |
| 1:2 | 107-1857 | 1 | Decal-Brake, Parking | 15 | 117-0366 | 1 | Plate-HOC, Outer |
| 1:3 | 1-811010 | 2 | Plug | 15:2 | 107-1860 | 1 | Decal-Height, Deck |
| 1:4 | 302-19 | 5 | Fitting-Grease | 15:4 | 117-2718 | 1 | Decal-Arrester, Spark |
| 1:5 | 103-1918 | 1 | Bushing | 16 | 117-0369 | 1 | Plate-HOC, Inner |
| 3 | 106-9981 | 1 | Footrest | 16:2 | 107-1861 | 1 | Decal-Height, Deck |
| 3:2 | 106-7451 | 1 | Decal | 17 | 1-633082 | 1 | Bushing-Lever, Lift |
| 3:3 | 107-2112 | 1 | Decal-Warning | 18 | 1-633080 | 1 | Bushing-Lever, Lift |
| 4 | 103-1918 | 1 | Bushing | 19 | 323-11 | 1 | Screw-HH |
| 5 | 110-5860 | 1 | Deck Lift Handle ASM | 20 | 109-8757 | 1 | Pin-HOC |
| 5:1 | 1-633295 | 1 | Grip-Lever, Lift | 22 | 323-9 | 2 | Screw-HH |
| 5:2 | 103-2083 | 1 | Lever-Lift | 23 | 98-5975 | 12 | Washer-Belleville |
| 5:3 | 103-2064 | 1 | Arm-Lift, Deck | 24 | 3290-357 | 15 | Nut-HHF, Whiz |
| 5:4 | 1-633325 | 1 | Spring-Compression | 25 | 323-6 | 1 | Screw-HH |
| 5:5 | 3296-39 | 1 | Nut-Lock, NI | 26 | 323-7 | 12 | Screw-HH |
| 5:6 | 3256-24 | 1 | Washer-Flat | 27 | 3256-29 | 4 | Washer-Flat |
| 10 | 3296-39 | 7 | Nut-Lock, NI | 35 | | 2 | Front Frame Spring ASM ● |
| 11 | 32151-103 | 5 | Ring-Retaining, EXT | 35:1 | 1-633096 | 1 | Rod-Lift, Deck |
| 12 | 1-633068 | 2 | Arm-Lift, Deck | 35:2 | 1-633441 | 2 | Swivel-Deck Mount, Rear |

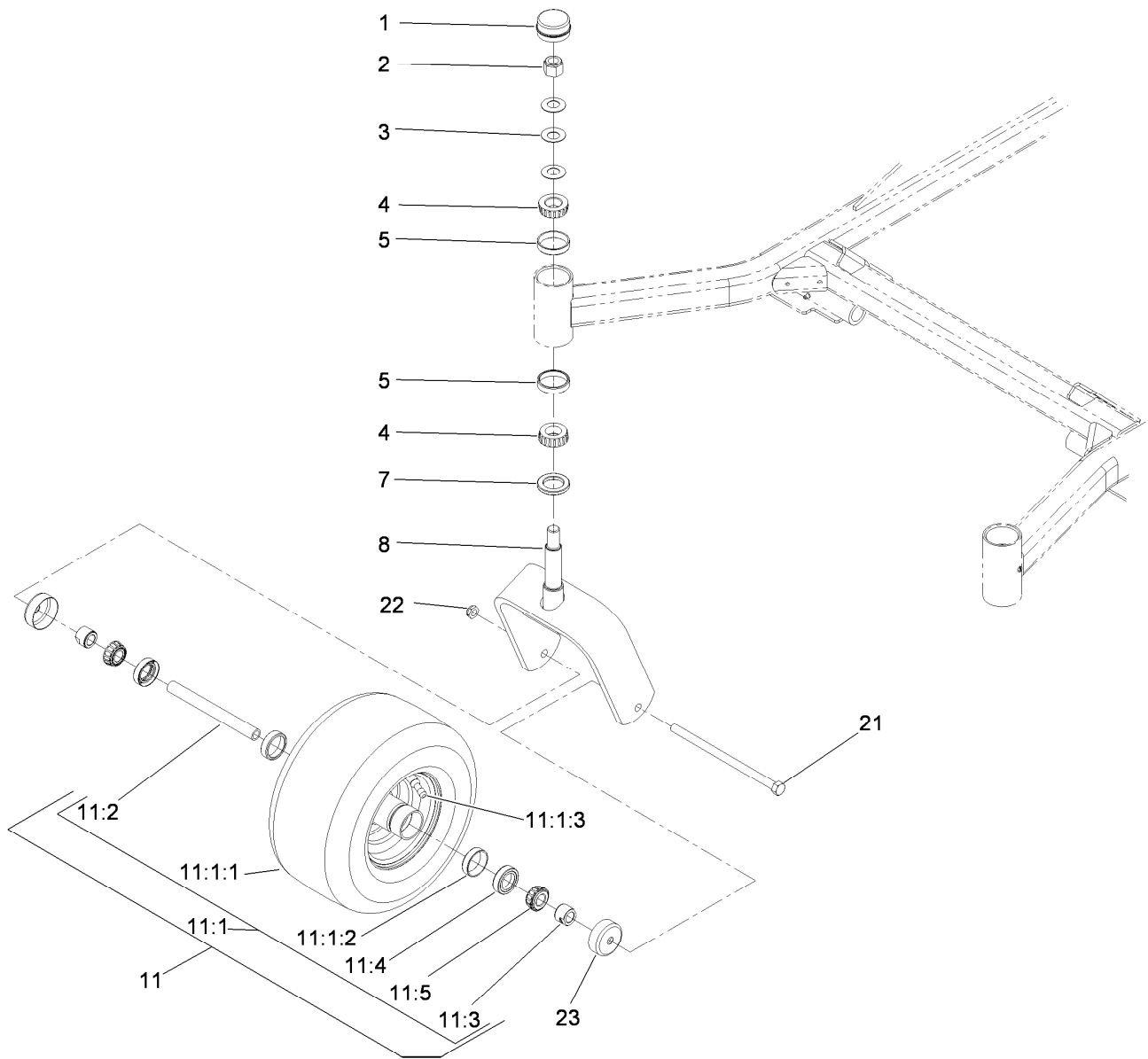
● Not serviced separately



Front Frame Assembly (continued)

| <i>Ref.</i> | <i>Part Number</i> | <i>Qty.</i> | <i>Description</i> | <i>Ref.</i> | <i>Part Number</i> | <i>Qty.</i> | <i>Description</i> |
|-------------|--------------------|-------------|------------------------|-------------|--------------------|-------------|--------------------|
| 35:3 | 3217-11 | 4 | Nut-Hex | 41 | 106-8984-01 | 1 | LH Deck Lift ASM |
| 35:4 | 3218-6 | 2 | Nut-Jam | 42 | 1-523157 | 2 | Washer-Spacer |
| 35:5 | 3256-7 | 2 | Washer-Flat | 43 | 32151-29 | 2 | Ring-Retaining |
| 35:6 | 1-633064 | 1 | Spring-Support, Deck | 44 | 3274-18 | 2 | Screw-HSH |
| 38 | 3274-94 | 4 | Screw-HSBH | 45 | 3218-2 | 2 | Nut-Jam |
| 40 | 108-7786-01 | 1 | RH Front Deck Lift ASM | 46 | 1-513658 | 2 | Bumper |

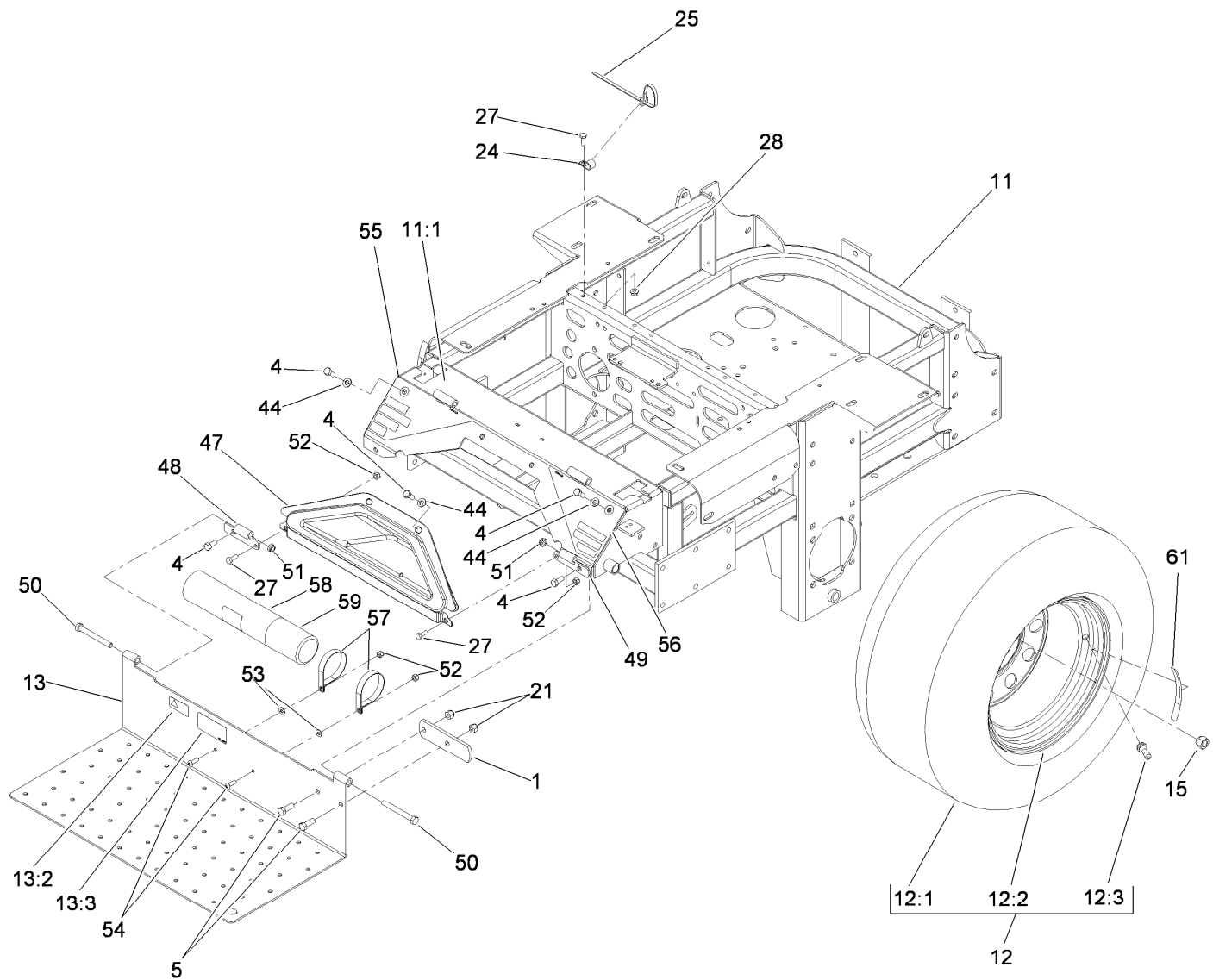
● Not serviced separately



Fork and Caster Wheel Assembly

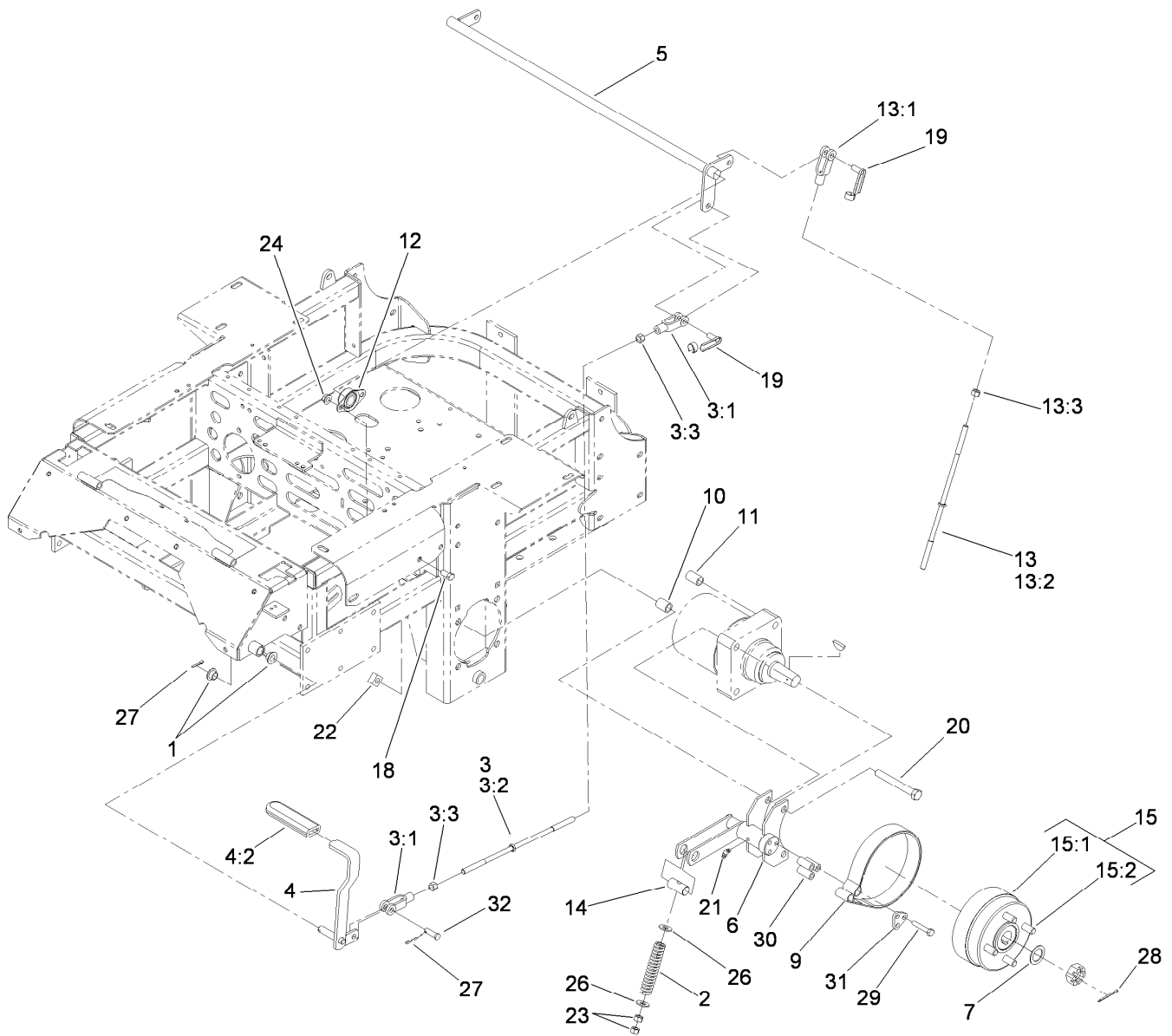
| <i>Ref.</i> | <i>Part Number</i> | <i>Qty.</i> | <i>Description</i> | <i>Ref.</i> | <i>Part Number</i> | <i>Qty.</i> | <i>Description</i> |
|-------------|--------------------|-------------|-----------------------|-------------|--------------------|-------------|---------------------|
| 1 | 103-4882 | 2 | Cap-Grease | 11:1:2 | 1-633584 | 2 | Bearing-Cup |
| 2 | 3296-51 | 2 | Nut-Lock, NI | 11:1:3 | 5108 | 1 | Valve |
| 3 | 1-633508 | 6 | Washer-Bellville | 11:2 | 103-5156 | 1 | Axle-Caster |
| 4 | 254-94 | 4 | Bearing-Cone, Tapered | 11:3 | 103-3051 | 2 | Spacer-Nut |
| 5 | 254-72 | 4 | Bearing-Cup, Tapered | 11:4 | 103-0063 | 2 | Seal-Caster |
| 7 | 1-543511 | 2 | Seal-Grease | 11:5 | 1-633585 | 2 | Bearing-Cone, Taper |
| 8 | 1-642111-01 | 2 | Caster | 21 | 325-24 | 2 | Screw-HH |
| 11 | 103-5185 | 2 | Wheel ASM | 22 | 3296-45 | 2 | Nut-Lock, NI |
| 11:1 | | 1 | Wheel And Tire ASM ● | 23 | 103-2768 | 4 | Guard-Seal |
| 11:1:1 | 1-523009 | 1 | Tire | | | | |

● Not serviced separately



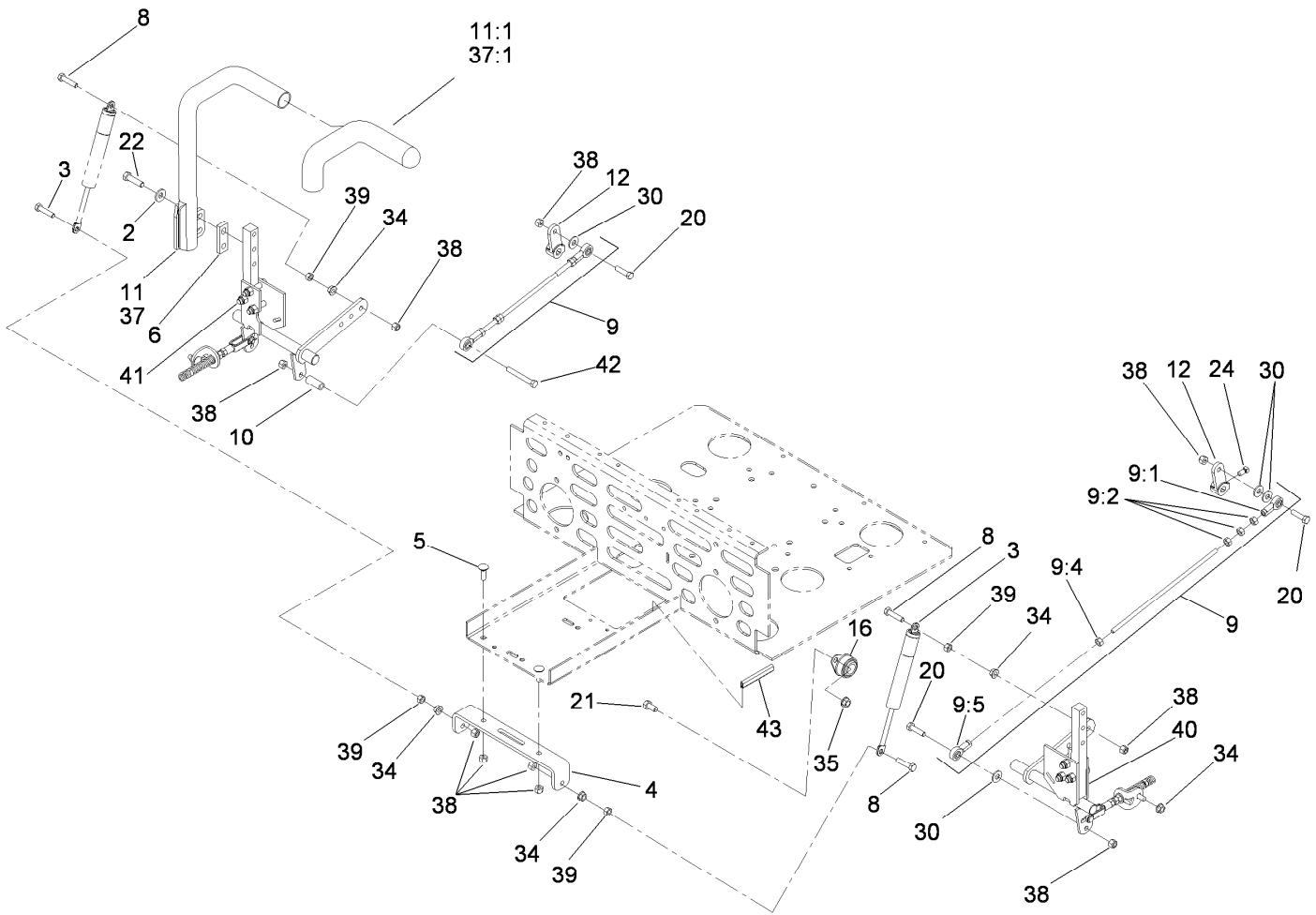
Main Frame and Rear Wheel Assembly

| Ref. | Part Number | Qty. | Description | Ref. | Part Number | Qty. | Description |
|------|-------------|------|------------------------|------|-------------|------|--------------------|
| 1 | 1-633964-03 | 1 | Stop-Brake, Park | 28 | 32128-33 | 1 | Nut-HF |
| 4 | 322-43 | 6 | Screw-HH | 44 | 3256-70 | 6 | Washer-Flat |
| 5 | 323-6 | 2 | Screw-HH | 47 | 106-7498 | 1 | Pocket |
| 11 | 114-1509 | 1 | Frame ASM | 48 | 106-7488-03 | 1 | Hinge-Floorpan, LH |
| 11:1 | 107-8076 | 1 | Decal-Console, Top | 49 | 106-7489-03 | 1 | Hinge-Floorpan, RH |
| 12 | 1-653010 | 2 | Wheel And Tire ASM | 50 | 323-20 | 2 | Screw-HH |
| 12:1 | 1-653160 | 1 | Tire | 51 | 3296-59 | 2 | Nut-Lock, NI |
| 12:2 | 1-653158 | 1 | Wheel | 52 | 3296-42 | 4 | Nut-Lock, NI |
| 12:3 | 232-27 | 1 | Stem-Valve | 53 | 3256-63 | 2 | Washer-Flat |
| 13 | 107-1858 | 1 | Floorpan | 54 | 3258-166 | 2 | Screw-PRH |
| 13:2 | 98-4387 | 1 | Decal-Protection, Ear | 55 | 106-9989 | 1 | Decal-Warning |
| 13:3 | 107-1864 | 1 | Decal-Location, Manual | 56 | 106-7492 | 1 | Decal-Danger |
| 15 | 242-50 | 8 | Nut-Lug | 57 | 107-1865 | 2 | R-Clamp |
| 21 | 3296-39 | 2 | Nut-Lock, NI | 58 | 104-7050 | 1 | Tube-Manual |
| 24 | 1-513762 | 1 | Clip-Loom | 59 | 104-7048 | 1 | Cap-Housing |
| 25 | 1-303335 | 2 | Tie-Plastic | 61 | 109-7949 | 2 | Decal |
| 27 | 321-4 | 3 | Screw-HH | | | | |



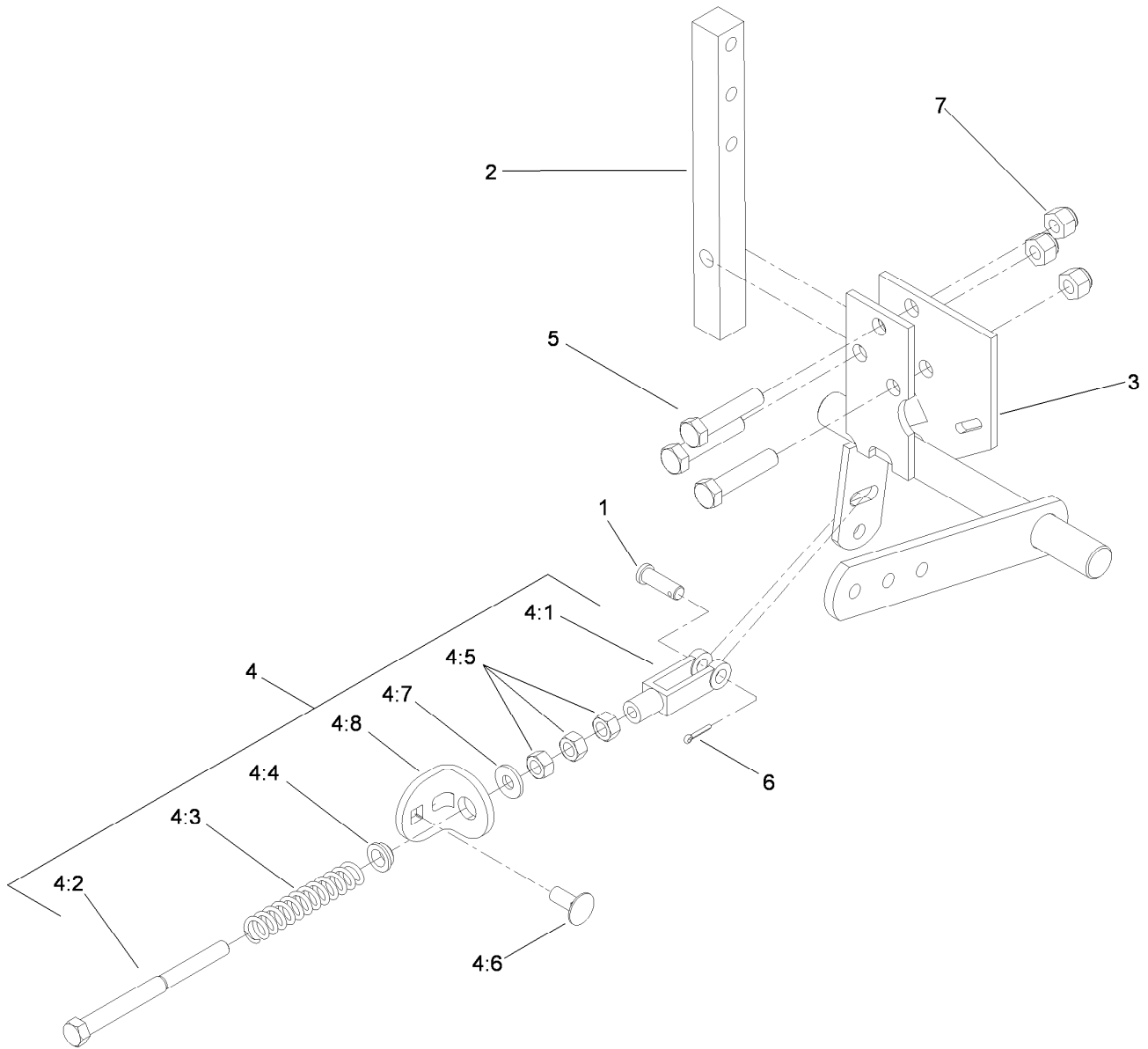
Brake and Wheel Hub Assembly

| Ref. | Part Number | Qty. | Description | Ref. | Part Number | Qty. | Description |
|------|-------------|------|------------------------|------|-------------|------|----------------------|
| 1 | 1-513140 | 2 | Bearing-Control | 14 | 1-633144 | 2 | Pin-Trunion |
| 2 | 1-633454 | 2 | Spring-Brake | 15 | 103-0590 | 2 | Hub And Wheel ASM |
| 3 | 103-4332 | 1 | Brake Rod And Yoke ASM | 15:1 | 103-0589 | 1 | Wheel Hub ASM |
| 3:1 | 1-633131 | 2 | Yoke-Linkage, Brake | 15:2 | 1-633926 | 4 | Stud-Wheel |
| 3:2 | 1-633477 | 1 | Rod-Brake | 18 | 323-4 | 4 | Screw-HH |
| 3:3 | 3219-3 | 2 | Nut-Hex | 19 | 103-2399 | 3 | Pin-Spring, Clevis |
| 4 | 1-634500 | 1 | Brake Lever ASM | 20 | 325-17 | 8 | Screw-HH |
| 4:2 | 1-633268 | 1 | Grip-Lever | 21 | 1481 | 2 | Fitting-Grease |
| 5 | 1-632217-03 | 1 | Shaft-Brake | 22 | 109-5618 | 8 | Nut-Square, Special |
| 6 | 103-0352-03 | 2 | Bracket-Brake | 23 | 3219-3 | 4 | Nut-Hex |
| 7 | 1-523157 | 2 | Washer-Spacer | 24 | 3290-357 | 4 | Nut-HHF, Whiz |
| 9 | 103-0355 | 2 | Band-Brake | 26 | 3256-4 | 4 | Washer-Flat |
| 10 | 1-633380 | 4 | Spacer-Wheel, Short | 27 | 3272-10 | 2 | Pin-Cotter |
| 11 | 1-633382 | 4 | Spacer-Wheel, Long | 28 | 1-806800 | 2 | Pin-Cotter |
| 12 | 1-633102 | 2 | Bearing-Flange, Side | 29 | 322-9 | 6 | Screw-HH |
| 13 | 103-4333 | 2 | Brake Rod And Yoke ASM | 30 | 103-0384 | 6 | Spacer |
| 13:1 | 1-633131 | 1 | Yoke-Linkage, Brake | 31 | 103-0374 | 2 | Retainer-Band, Brake |
| 13:2 | 1-633477 | 1 | Rod-Brake | 32 | 1-808285 | 1 | Pin-Clevis |
| 13:3 | 3219-3 | 1 | Nut-Hex | | | | |



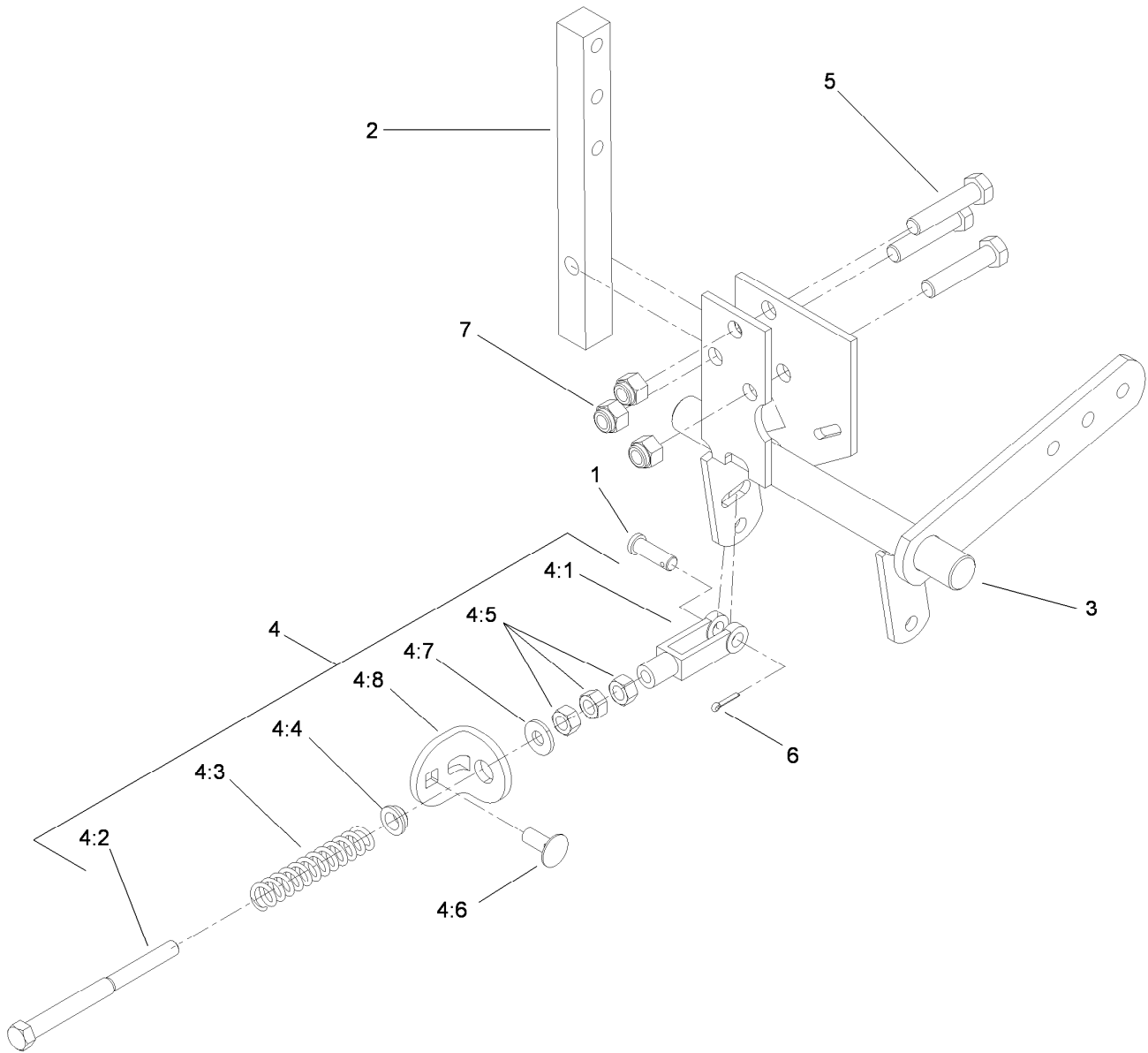
Motion Control Assembly

| Ref. | Part Number | Qty. | Description | Ref. | Part Number | Qty. | Description |
|------|-------------|------|------------------------|------|-------------|------|-----------------------|
| 2 | 98-5975 | 4 | Washer-Belleville | 20 | 322-6 | 3 | Screw-HH |
| 3 | 109-2339 | 2 | Damper-Control, Motion | 21 | 323-4 | 8 | Screw-HH |
| 4 | 109-6058-03 | 1 | Bracket-Mount, Damper | 22 | 323-29 | 4 | Screw-HH |
| 5 | 3230-2 | 2 | Bolt-CARR | 24 | 1-803022 | 2 | Screw-Set |
| 6 | 117-0948-03 | 2 | Spacer, Control Lever | 30 | 3256-3 | 4 | Washer-Flat |
| 8 | 1-403180 | 4 | Screw-HH | 34 | 32128-20 | 6 | Nut-HF |
| 9 | 103-4331 | 2 | Tracking Rod ASM | 35 | 3290-357 | 8 | Nut-HHF, Whiz |
| 9:1 | 1-543017 | 1 | Balljoint-RH | 37 | 108-7237 | 1 | RH Lever ASM |
| 9:2 | 3219-2 | 3 | Nut-Hex | 37:1 | 106-9987 | 1 | Grip-Control, Motion |
| 9:4 | 1-804524 | 1 | Nut | 38 | 3296-29 | 10 | Nut-Lock, NI |
| 9:5 | 1-633152 | 1 | Balljoint-LH | 39 | 3217-6 | 4 | Nut-Hex |
| 10 | 103-0384 | 1 | Spacer | 40 | 109-3906 | 1 | LH Motion Control ASM |
| 11 | 108-7238 | 1 | LH Lever ASM | 41 | 109-3907 | 1 | RH Motion Control ASM |
| 11:1 | 106-9987 | 1 | Grip-Control, Motion | 42 | 322-12 | 1 | Screw-HH |
| 12 | 1-632208 | 2 | Arm-Control, Pump | 43 | 105-7699 | 1 | Strip-Seal |
| 16 | 1-633102 | 4 | Bearing-Flange, Side | | | | |



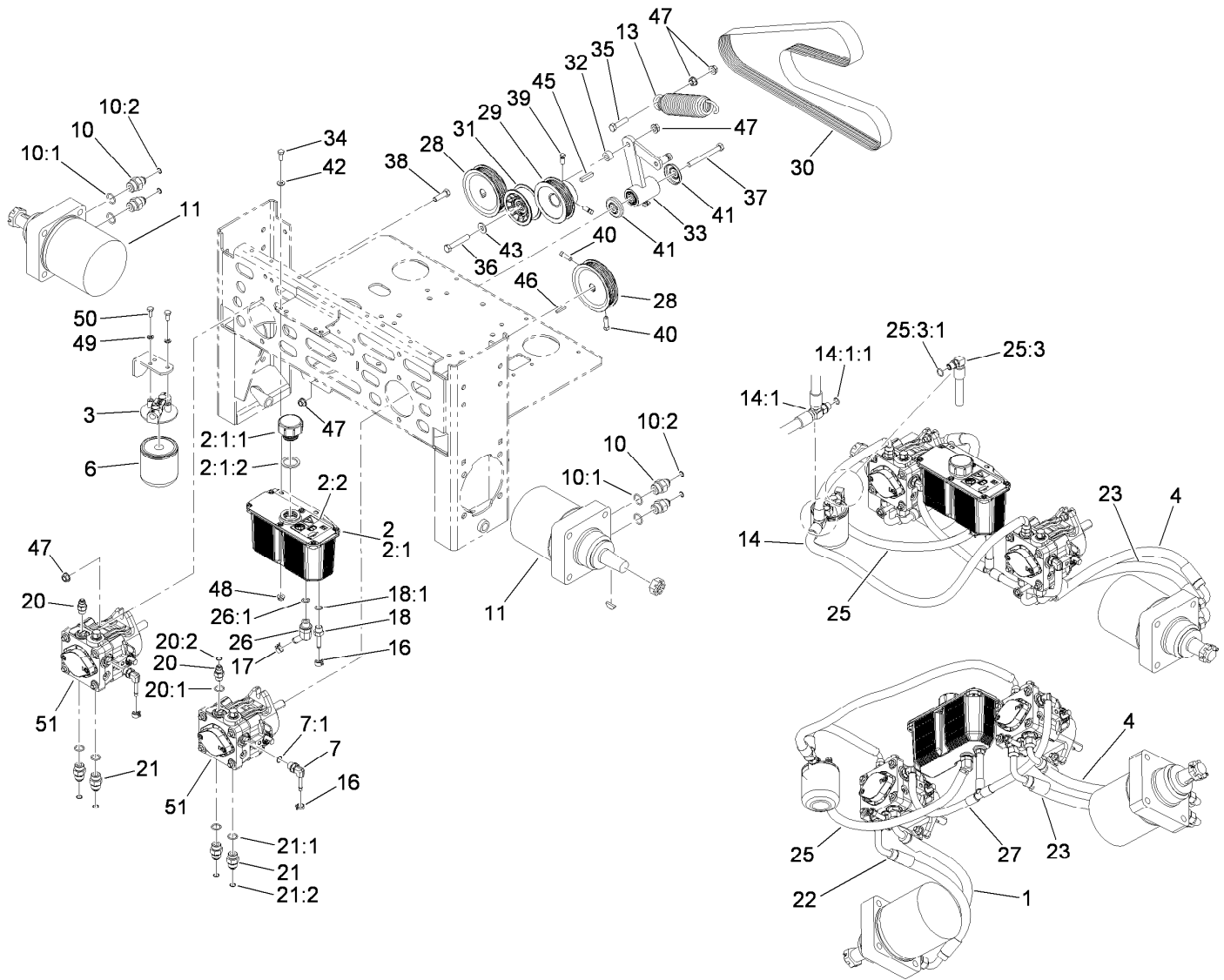
LH Motion Control Assembly No. 109-3906

| Ref. | Part Number | Qty. | Description |
|------|-------------|------|------------------------|
| 1 | 1-808280 | 1 | Pin-Clevis |
| 2 | 103-0407 | 1 | Arm-Shaft, Control |
| 3 | 109-3902 | 1 | Control-Motion, LH |
| 4 | 109-3903 | 1 | Neutral Return ASM |
| 4:1 | 1-303105 | 1 | Yoke-Adjustable |
| 4:2 | 1-603737 | 1 | Bolt-Return, Neutral |
| 4:3 | 1-603807 | 1 | Spring-Return, Neutral |
| 4:4 | 109-3769 | 1 | Bushing-Nylon, Flanged |
| 4:5 | 3219-2 | 3 | Nut-Hex |
| 4:6 | 3230-23 | 1 | Screw-CARR |
| 4:7 | 3256-2 | 1 | Washer-Flat |
| 4:8 | 109-3908 | 1 | Tab-Adjustment |
| 5 | 323-9 | 3 | Screw-HH |
| 6 | 3272-5 | 1 | Pin-Cotter |
| 7 | 3296-39 | 3 | Nut-Lock, NI |



RH Motion Control Assembly No. 109-3907

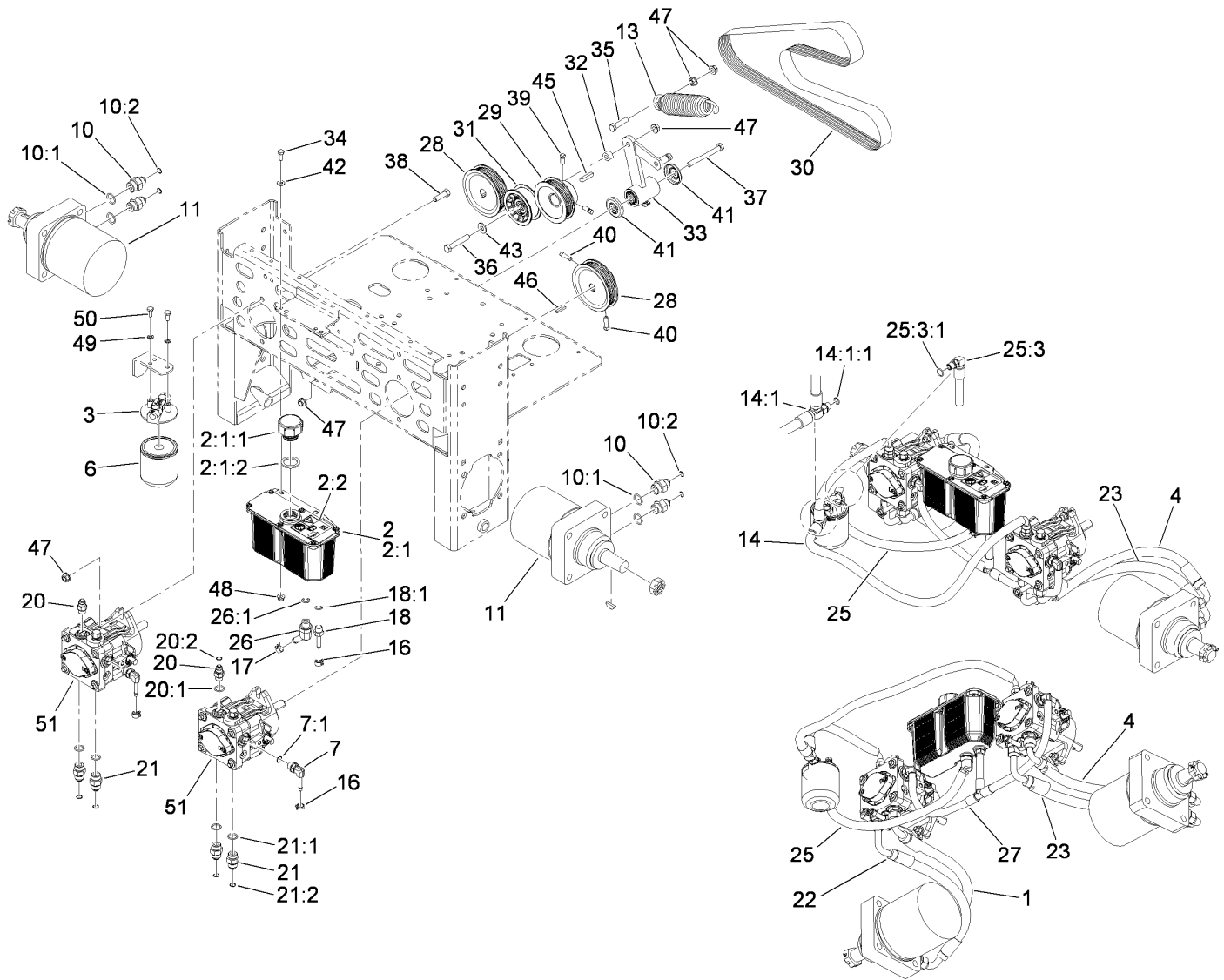
| <i>Ref.</i> | <i>Part Number</i> | <i>Qty.</i> | <i>Description</i> |
|-------------|--------------------|-------------|------------------------|
| 1 | 1-808280 | 1 | Pin-Clevis |
| 2 | 103-0407 | 1 | Arm-Shaft, Control |
| 3 | 109-3901 | 1 | Control-Motion, RH |
| 4 | 109-3903 | 1 | Neutral Return ASM |
| 4:1 | 1-303105 | 1 | Yoke-Adjustable |
| 4:2 | 1-603737 | 1 | Bolt-Return, Neutral |
| 4:3 | 1-603807 | 1 | Spring-Return, Neutral |
| 4:4 | 109-3769 | 1 | Bushing-Nylon, Flanged |
| 4:5 | 3219-2 | 3 | Nut-Hex |
| 4:6 | 3230-23 | 1 | Screw-CARR |
| 4:7 | 3256-2 | 1 | Washer-Flat |
| 4:8 | 109-3908 | 1 | Tab-Adjustment |
| 5 | 323-9 | 3 | Screw-HH |
| 6 | 3272-5 | 1 | Pin-Cotter |
| 7 | 3296-39 | 3 | Nut-Lock, NI |



Hydraulic Assembly

| Ref. | Part Number | Qty. | Description | Ref. | Part Number | Qty. | Description |
|-------|-------------|------|--------------------|--------|-------------|------|--------------------------|
| 1 | 103-3736 | 1 | HYD Hose ASM | 14:1:1 | 237-42 | 1 | O-Ring |
| 2 | 107-8433 | 1 | HYD Reservoir ASM | 16 | 103-1716 | 3 | Clamp-Hose |
| 2:1 | | 1 | Reservoir-HYD ● | 17 | 103-1988 | 1 | Clamp-Hose |
| 2:1:1 | 103-1948 | 1 | Cap-Reservoir, HYD | 18 | 103-1801 | 1 | Adapter-Straight |
| 2:1:2 | 103-1949 | 1 | Gasket-Cap | 18:1 | 237-42 | 1 | O-Ring |
| 2:2 | 115-4212 | 1 | Decal-Warning | 20 | 103-2156 | 2 | Fitting-Straight |
| 3 | 104-7836 | 1 | Head-Filter | 20:1 | 1-603921 | 1 | O-Ring |
| 4 | 103-3733 | 1 | HYD Hose ASM | 20:2 | 103-1020 | 1 | O-Ring |
| 6 | 1-633750 | 1 | Filter-Oil, HYD | 21 | 1-603990 | 4 | Fitting-Straight |
| 6 | 1-633752 | 1 | Filter-HYD, Winter | 21:1 | 1-603920 | 1 | O-Ring |
| 7 | 103-1799 | 2 | Elbow-90 DEG | 21:2 | 1-603992 | 1 | O-Ring |
| 7:1 | 237-42 | 1 | O-Ring | 22 | 103-3737 | 1 | HYD Hose ASM |
| 10 | 1-603991 | 4 | Fitting-Straight | 23 | 103-3735 | 1 | HYD Hose ASM |
| 10:1 | 237-80 | 1 | O-Ring | 25 | 109-7689 | 1 | HYD Hose ASM |
| 10:2 | 1-603992 | 1 | O-Ring | 25:3 | | 1 | Fitting-Barbed, 90 DEG ● |
| 11 | 1-523328 | 2 | Motor-Wheel | 25:3:1 | 237-42 | 1 | O-Ring |
| 13 | 116-0133 | 1 | Extension-Spring | 26 | 103-1807 | 1 | Fitting-Barbed, 45 DEG |
| 14 | 109-6273 | 1 | HYD Hose ASM | 26:1 | 237-42 | 1 | O-Ring |
| 14:1 | | 1 | Adapter-Run, Tee ● | 27 | 103-1806 | 1 | HYD Hose ASM |

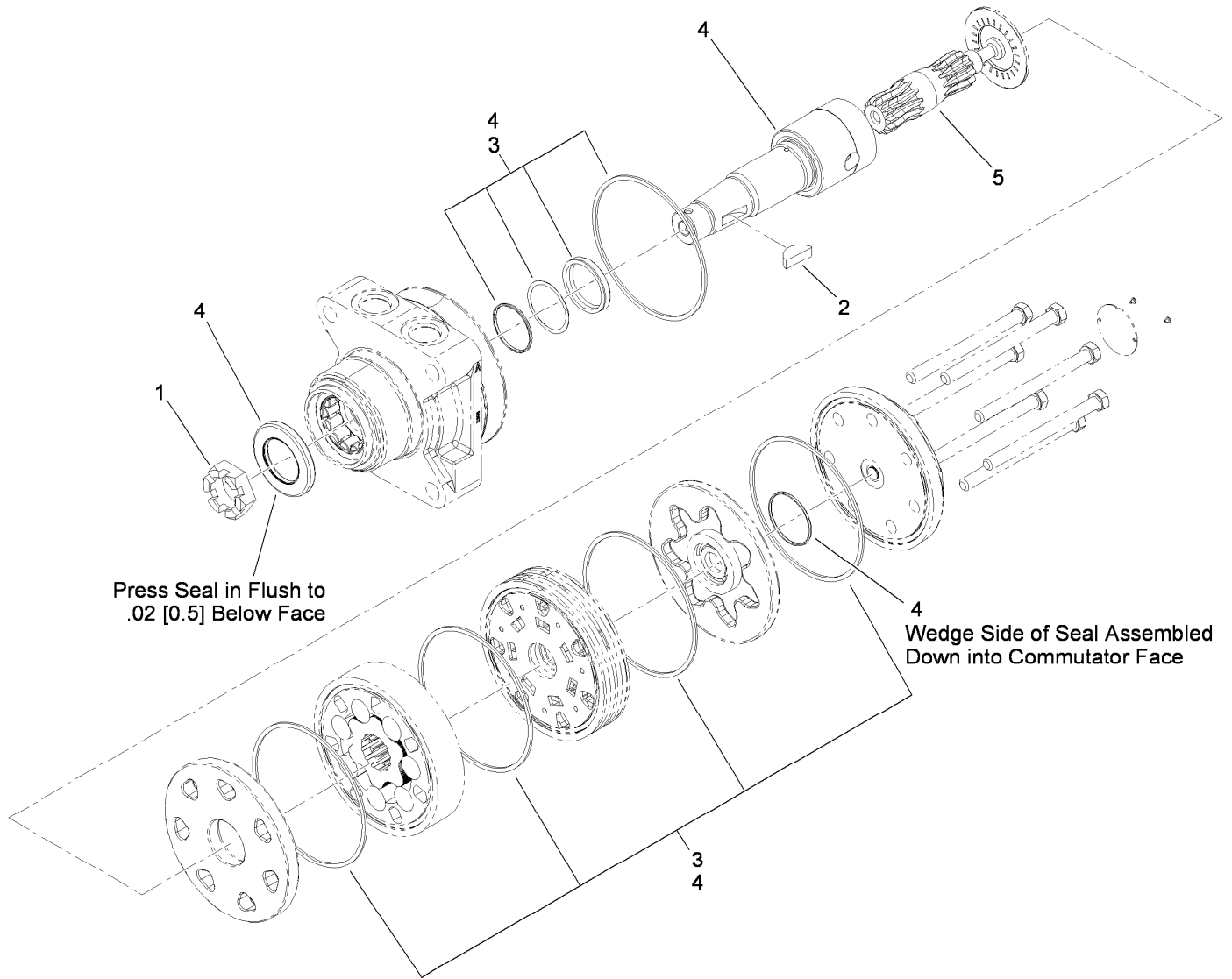
● Not serviced separately



Hydraulic Assembly (continued)

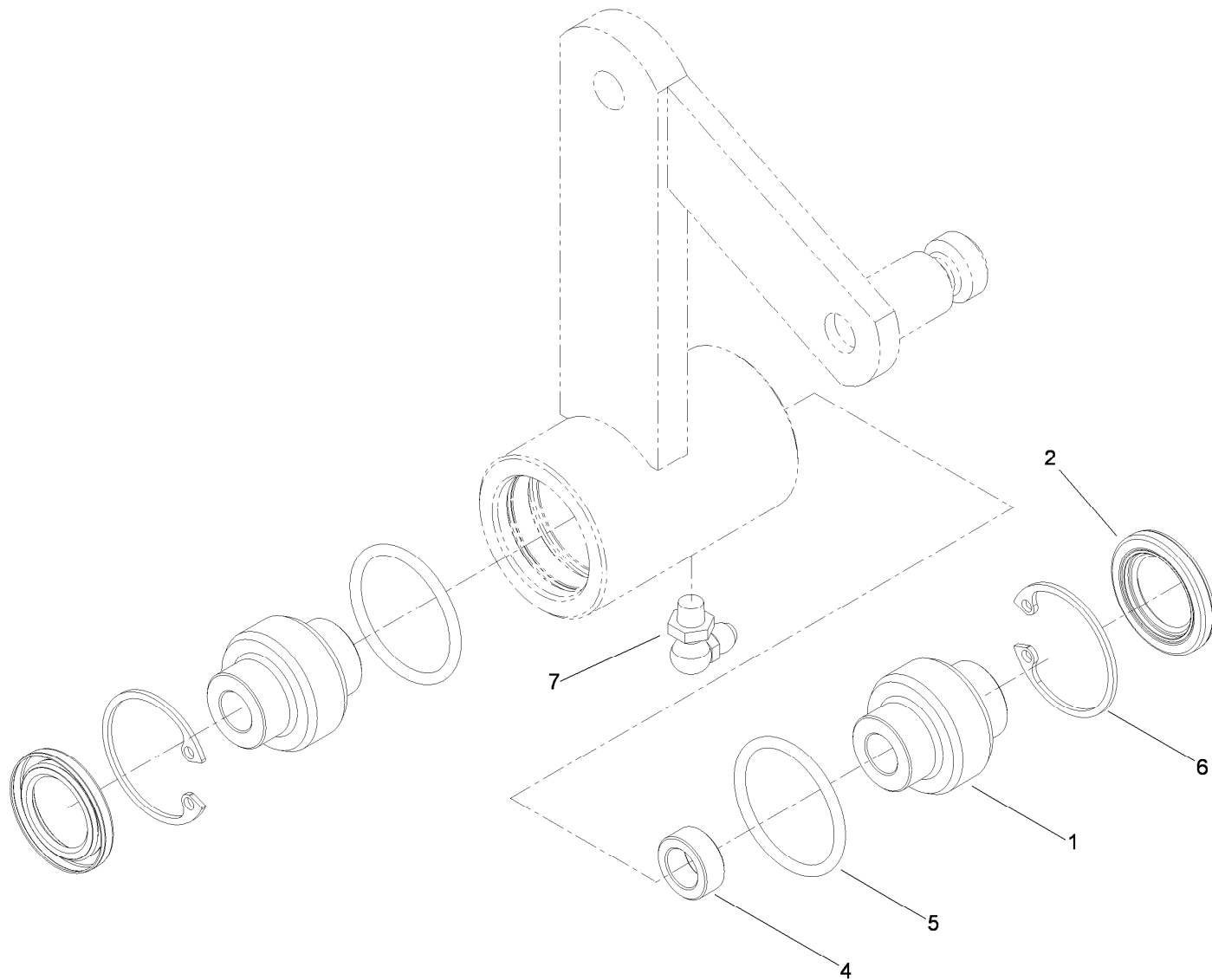
| <i>Ref.</i> | <i>Part Number</i> | <i>Qty.</i> | <i>Description</i> | <i>Ref.</i> | <i>Part Number</i> | <i>Qty.</i> | <i>Description</i> |
|-------------|--------------------|-------------|--------------------|-------------|--------------------|-------------|--------------------|
| 28 | 109-6046 | 2 | Sheave | 40 | 30-1710 | 4 | Screw |
| 29 | 109-7738 | 1 | Sheave | 41 | 103-2916 | 2 | Guard-Top |
| 30 | 114-1512 | 1 | Belt | 42 | 3256-22 | 2 | Washer-Flat |
| 31 | 109-4076 | 1 | Pulley-Flat Idler | 43 | 3256-4 | 1 | Washer-Flat |
| 32 | 1-603050 | 1 | Spacer | 45 | 13-2840 | 1 | Key-Square |
| 33 | 103-5679 | 1 | Pump Idler ASM | 46 | 5-1077 | 2 | Key-Square |
| 34 | 321-6 | 2 | Screw-HH | 47 | 3290-357 | 8 | Nut-HHF, Whiz |
| 35 | 323-8 | 1 | Screw-HH | 48 | 32128-33 | 2 | Nut-HF |
| 36 | 323-11 | 1 | Screw-HH | 49 | 1-805004 | 2 | Washer-Lock |
| 37 | 1-800805 | 1 | Screw-HH | 50 | 321-3 | 2 | Screw-HH |
| 38 | 323-7 | 4 | Screw-HH | 51 | 110-4150 | 2 | Pump-HYD |
| 39 | 1-803050 | 2 | Screw-Set | | | | |

● Not serviced separately



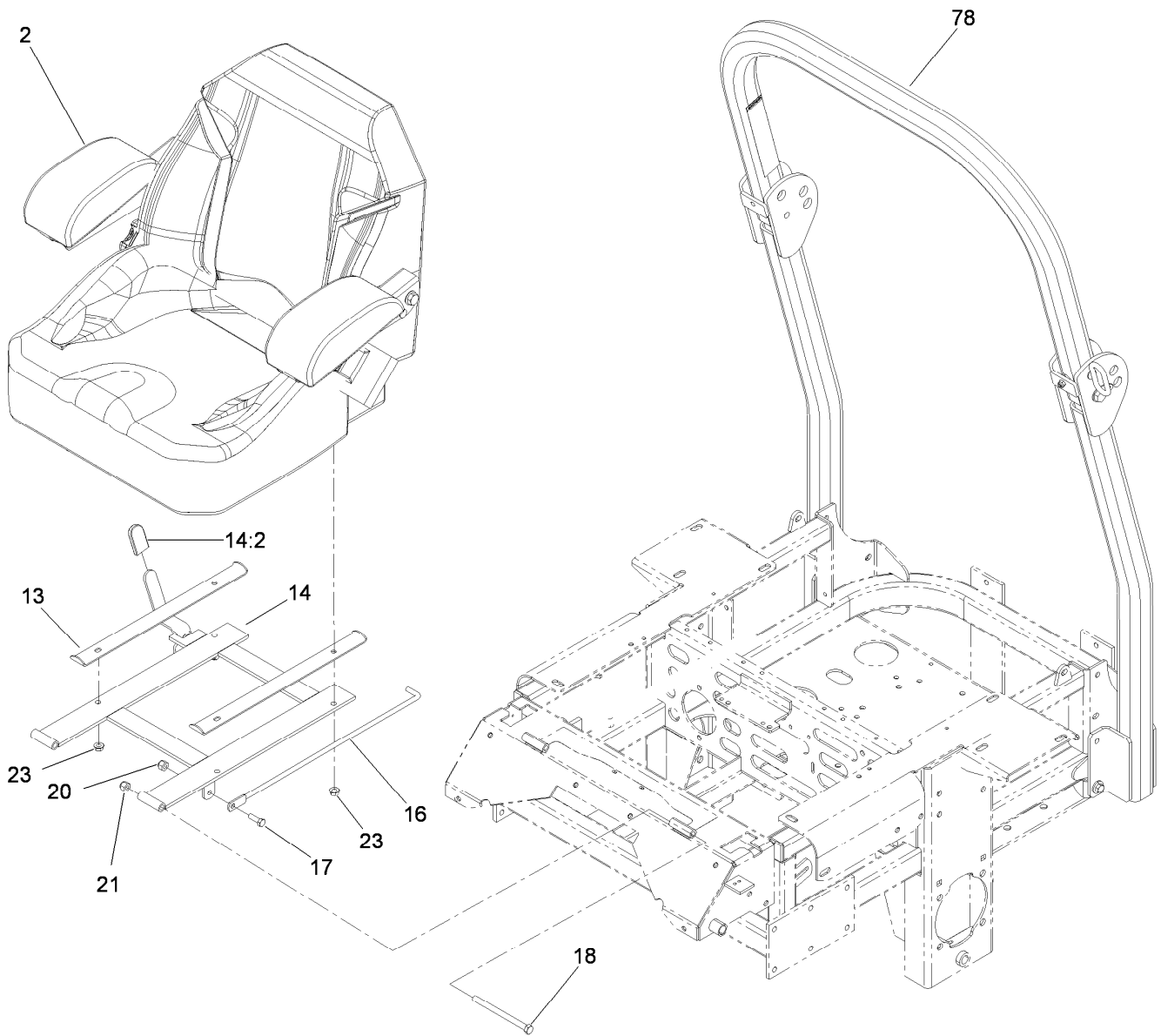
Hydraulic Wheel Motor No. 1-523328

| <i>Ref.</i> | <i>Part Number</i> | <i>Qty.</i> | <i>Description</i> |
|-------------|--------------------|-------------|----------------------------|
| 1 | 1-809036 | 1 | Nut-HH |
| 2 | 3257-42 | 1 | Key-Woodruff |
| 3 | 103-6994 | 1 | Seal Kit |
| 4 | 103-6995 | 1 | Output Shaft And Seals Kit |
| 5 | 103-2748 | 1 | Drive Link Kit |



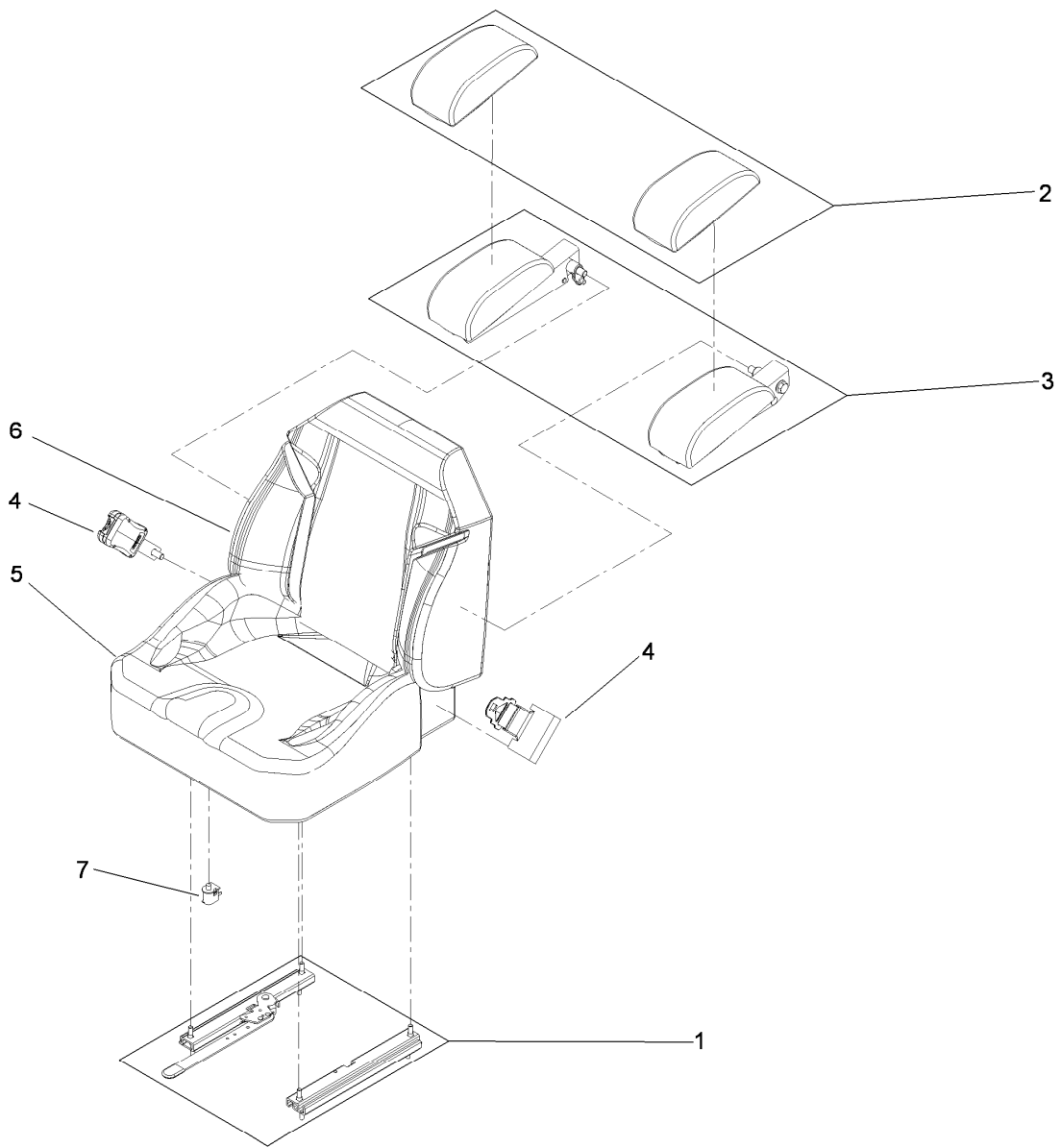
Pump Idler Assembly No. 103-5679

| <i>Ref.</i> | <i>Part Number</i> | <i>Qty.</i> | <i>Description</i> |
|-------------|--------------------|-------------|--------------------|
| 1 | 103-3504 | 2 | Bearing-Spherical |
| 2 | 103-3506 | 2 | Seal-Single Lip |
| 4 | 103-5677 | 1 | Spacer |
| 5 | 106-7159 | 2 | O-Ring |
| 6 | 32120-10 | 2 | Ring-Snap |
| 7 | 302-40 | 1 | Fitting-Grease |



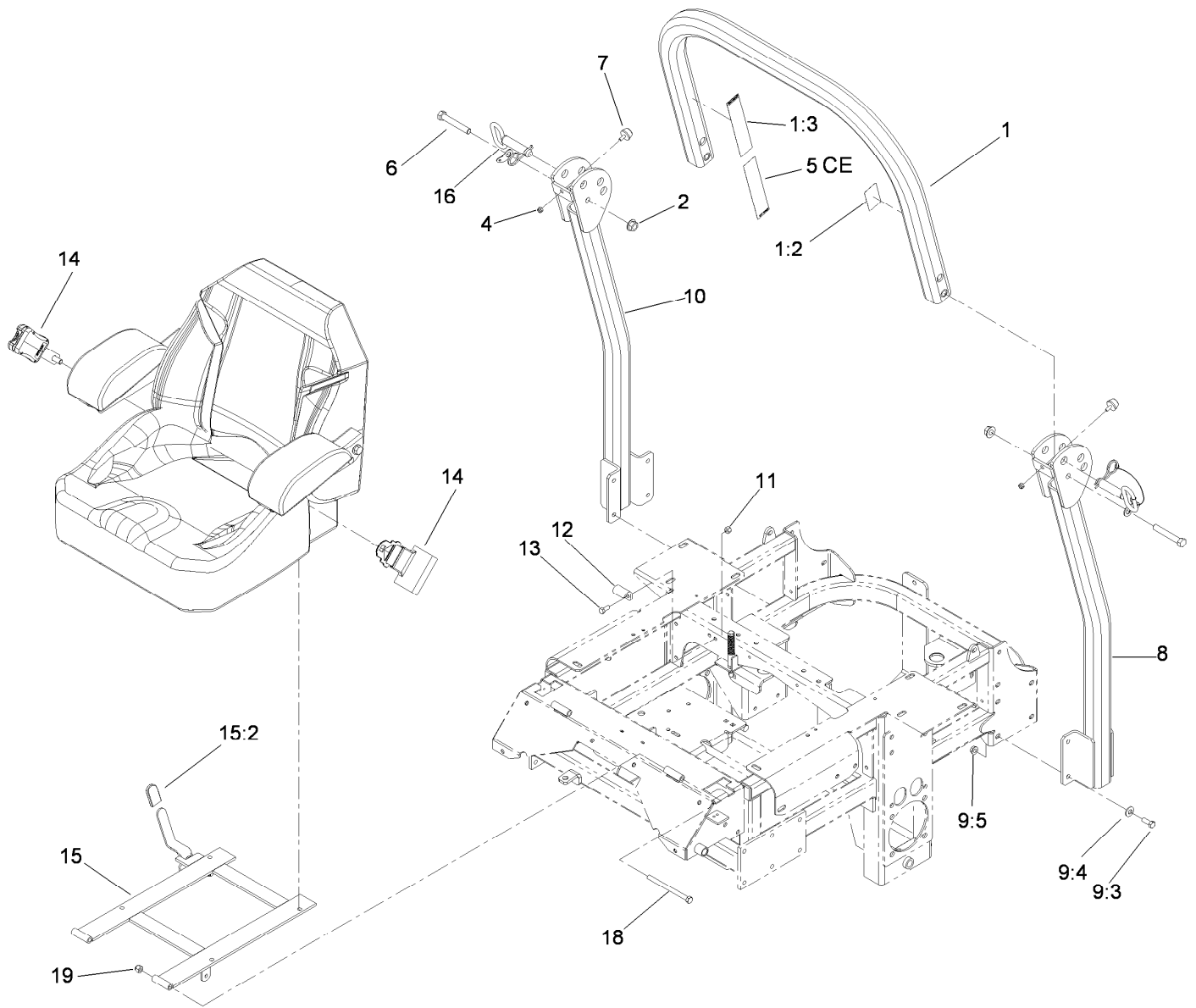
Seat and Roll-Over Protection System Assembly

| <i>Ref.</i> | <i>Part Number</i> | <i>Qty.</i> | <i>Description</i> |
|-------------|--------------------|-------------|--------------------------|
| 2 | 116-0035 | 1 | Seat-Standard |
| 13 | 1-633872-03 | 2 | Stop-Seat |
| 14 | 110-5850 | 1 | Seat Frame And Latch ASM |
| 14:2 | 103-4434 | 1 | Grip-Lever |
| 16 | 1-633293 | 1 | Rod-Holdup, Seat |
| 17 | 322-5 | 1 | Screw-HH |
| 18 | 323-39 | 2 | Screw-HH |
| 20 | 3296-29 | 3 | Nut-Lock, NI |
| 21 | 3296-39 | 2 | Nut-Lock, NI |
| 23 | 32128-20 | 4 | Nut-HF |
| 78 | 117-3879 | 1 | ROPS Kit |



Seat Assembly No. 116-0035

| <i>Ref.</i> | <i>Part Number</i> | <i>Qty.</i> | <i>Description</i> |
|-------------|--------------------|-------------|--------------------|
| 1 | 109-9801 | 1 | Seat Track Set |
| 2 | 109-9802 | 1 | Arm Rest Pad Set |
| 3 | 109-9803 | 1 | Arm Rest Set |
| 4 | 109-9805 | 1 | Seat Belt Kit |
| 5 | 109-9806 | 1 | Cover-Cushion |
| 6 | 109-9808 | 1 | Cover-Back |
| 7 | 82-2190 | 1 | Switch-Bail |

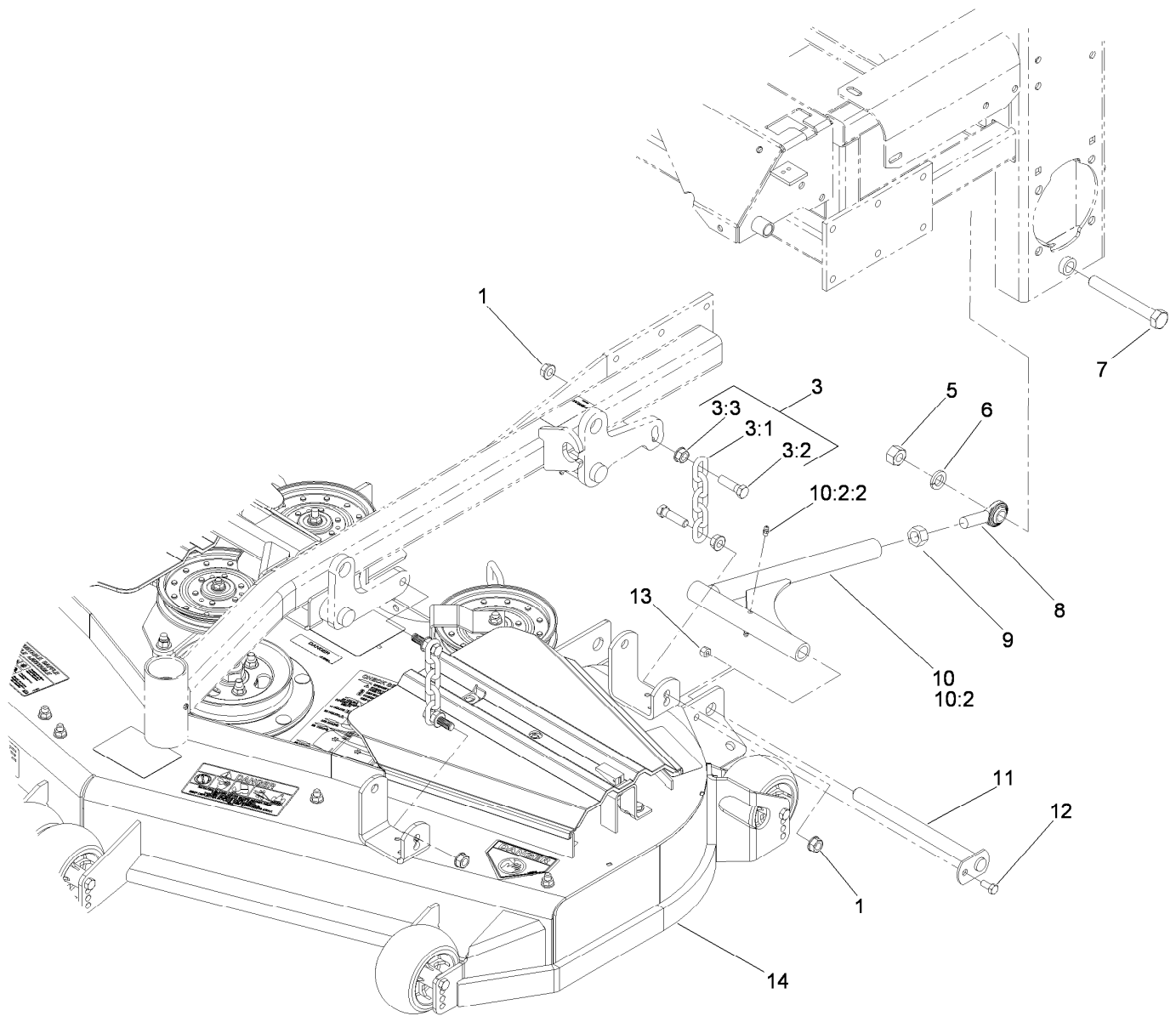


Roll-Over Protection System Assembly No. 117-3879

| Ref. | Part Number | Qty. | Description | Ref. | Part Number | Qty. | Description |
|------|-------------|------|-----------------------------|------|-------------|------|--------------------------|
| 1 | | 1 | Upper Tube ASM ■ | 9:4 | 98-5975 | 8 | Washer-Belleville |
| 1:2 | 107-2101 | 1 | Decal-ROPS | 9:5 | 3290-357 | 8 | Nut-HHF, Whiz |
| 1:3 | 107-2102 | 1 | Decal-Warning, Folding ROPS | 10 | | 1 | Tube-Support, RH ■ |
| 2 | 32128-23 | 2 | Nut-HF | 11 | 3296-29 | 2 | Nut-Lock, NI |
| 4 | 3296-73 | 2 | Nut-Lock, NI | 12 | 107-3058 | 1 | Catch-Latch, Seat |
| 5 | 107-3069 | 1 | Decal-Warning, Folding ROPS | 13 | 322-3 | 2 | Screw-HH |
| 6 | 325-13 | 2 | Screw-HH | 14 | 109-9805 | 1 | Seat Belt Kit |
| 7 | 109-2365 | 2 | Bumper-Rubber (W/Stud) | 15 | 110-5850 | 1 | Seat Frame And Latch ASM |
| 8 | | 1 | Tube-Support, LH ■ | 15:2 | 103-4434 | 1 | Grip-Lever |
| 9 | | 1 | Bag-Bolt, ROPS ● ■ | 16 | 103-4553 | 2 | ROPS Fold Pin ASM |
| 9:3 | 323-6 | 8 | Screw-HH | 18 | 323-39 | 2 | Screw-HH |
| | | | | 19 | 3296-39 | 2 | Nut-Lock, NI |

● Not illustrated

■ Not serviced separately

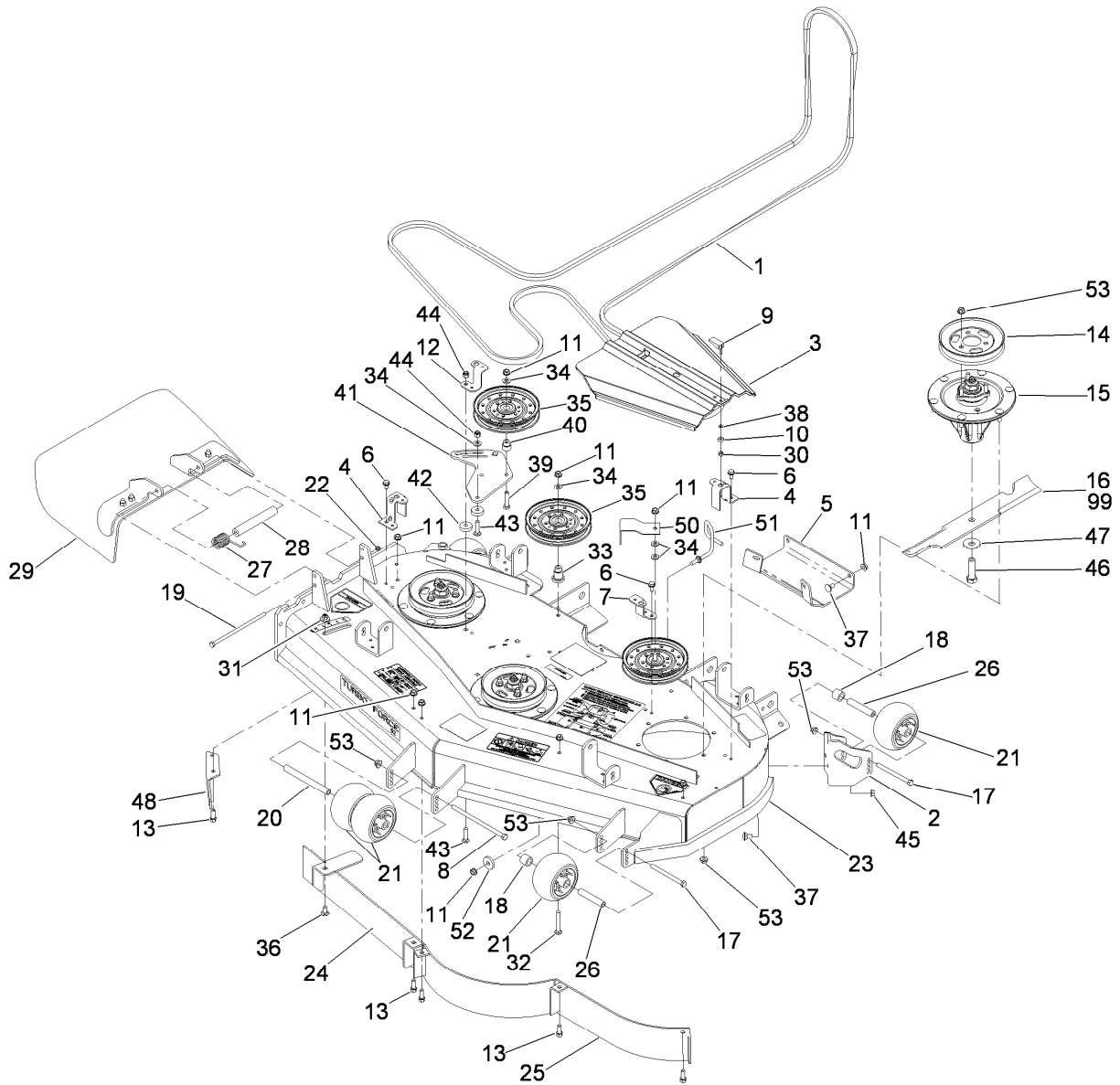


Deck Connection Assembly

| Ref. | Part Number | Qty. | Description |
|------|-------------|------|---------------------|
| 1 | 32128-37 | 8 | Nut-HF |
| 3 | 103-9792 | 4 | Deck Chain ASM |
| 3:1 | 1-633447 | 1 | Chain-Lift, Deck |
| 3:2 | 103-1898 | 2 | Screw-HH |
| 3:3 | 32128-37 | 2 | Nut-HF |
| 5 | 3217-11 | 2 | Nut-Hex |
| 6 | 3253-8 | 2 | Washer-Lock |
| 7 | 327-11 | 2 | Screw-HH |
| 8 | 1-633029 | 2 | Balljoint-Spherical |

| Ref. | Part Number | Qty. | Description |
|--------|-------------|------|---------------------|
| 9 | 3219-6 | 2 | Nut-Hex |
| 10 | 109-1181 | 2 | Strut-Deck |
| 10:2 | | 1 | Tube And Zerk ASM ● |
| 10:2:2 | 109-1380 | 2 | Fitting-Grease |
| 11 | 1-632199-01 | 2 | Pin-Strut |
| 12 | 322-3 | 2 | Screw-HH |
| 13 | 3296-29 | 2 | Nut-Lock, NI |
| 14 | | 1 | Deck ASM ● |

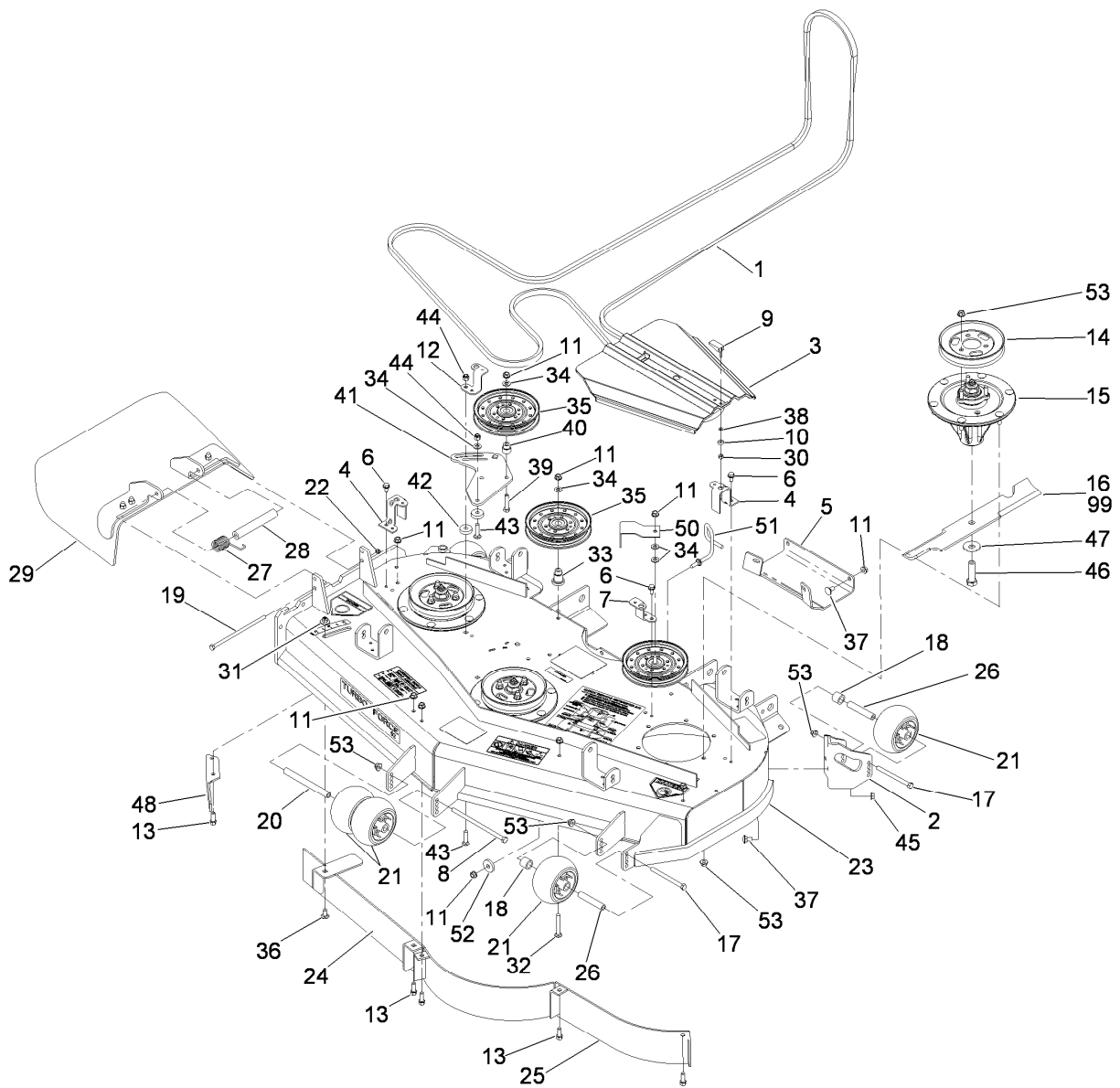
● Not serviced separately



Deck Assembly

| Ref. | Part Number | Qty. | Description | Ref. | Part Number | Qty. | Description |
|------|-------------|------|-------------------------|------|-------------|------|----------------------|
| 1 | 105-7790 | 1 | Belt | 20 | 98-5967 | 1 | Spacer-Wheel |
| 2 | 106-7354-01 | 1 | Mount-Wheel, LH | 21 | 1-603299 | 5 | Roller-Scalp, Anti |
| 3 | 112-8665 | 2 | Cover-Belt | 22 | 3296-47 | 1 | Nut-Lock, NI |
| 4 | 108-4121-01 | 2 | Bracket-Cover | 23 | 119-4205 | 1 | Deck Decal ASM |
| 5 | 106-7358-01 | 1 | Plate-Skid | 24 | 119-4207-01 | 1 | Baffle ASM |
| 6 | 32144-70 | 3 | Screw-HWHTF | 25 | 105-7754-01 | 1 | Baffle ASM |
| 7 | 108-2177-01 | 1 | Bracket-Cover, Tall | 26 | 98-7912 | 3 | Tube-Spanner |
| 8 | 108-5388 | 1 | Screw-HH | 27 | 108-4052 | 1 | Spring-Torsion |
| 9 | 106-6777 | 2 | Handle-Latch, Swell | 28 | 105-4622 | 1 | Spacer |
| 10 | 106-6778 | 2 | Bushing-Latch, Swell | 29 | 108-7770 | 1 | Rubber Deflector ASM |
| 11 | 3290-357 | 18 | Nut-HHF, Whiz | 30 | 1-804254 | 2 | Nut |
| 12 | 108-2178-01 | 1 | Bracket-Cover, Short | 31 | 109-6658 | 1 | Nut-Flange, NI |
| 13 | 92-1624 | 6 | Screw-HWH | 32 | 323-12 | 2 | Screw-HH |
| 14 | 105-7735 | 3 | Pulley | 33 | 106-3214 | 2 | Mount-Pulley |
| 15 | 117-6158 | 3 | Spindle ASM | 34 | 3256-24 | 5 | Washer-Flat |
| 16 | 105-7781-03 | 3 | Blade-18 Inch (Hi Flow) | 35 | 1-633109 | 3 | Idler-Flat |
| 17 | 323-23 | 3 | Screw-HH | 36 | 3231-27 | 1 | Screw-CARR |
| 18 | 98-7913 | 3 | Tube-Spacer | 37 | 3231-1 | 11 | Screw-CARR |
| 19 | 322-50 | 1 | Screw-HH | 38 | 99-3058 | 2 | Washer |

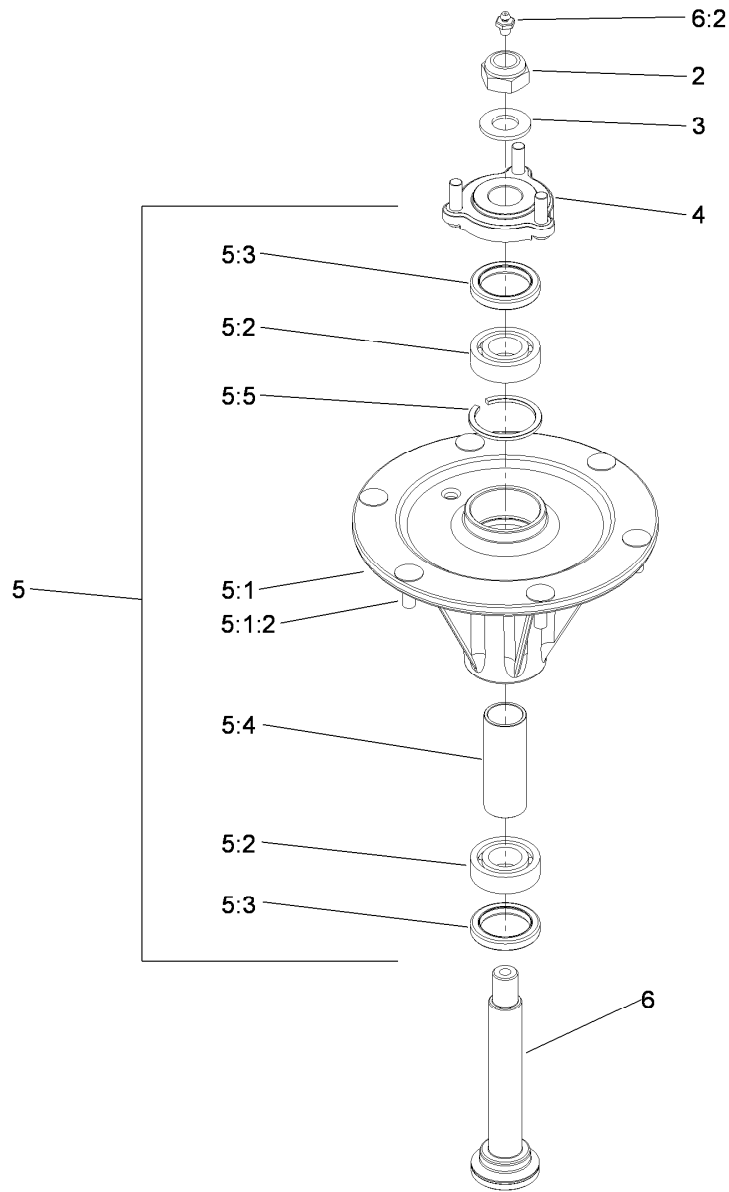
● Optional Equipment



Deck Assembly (continued)

| Ref. | Part Number | Qty. | Description | Ref. | Part Number | Qty. | Description |
|------|-------------|------|--------------------------|------|-------------|------|------------------|
| 39 | 323-9 | 1 | Screw-HH | 48 | 106-3216-01 | 1 | Baffle-Discharge |
| 40 | 1-603496 | 1 | Bushing-Idler | 50 | 108-7220-01 | 1 | Guide-Belt |
| 41 | 119-4219-01 | 1 | Plate-Idler | 51 | 106-3220 | 1 | Guide-Belt |
| 42 | 105-7788 | 2 | Spacer | 52 | 112843 | 1 | Washer |
| 43 | 3231-4 | 2 | Screw-CARR | 53 | 104-8301 | 31 | Nut-Flange, NI |
| 44 | 3296-39 | 2 | Nut-Lock, NI | 99 | 105-7779-03 | 1 | Blade-Recycler ● |
| 45 | 3296-59 | 3 | Nut-Lock, NI | 99 | 105-7794-03 | 1 | Blade-Med Flow ● |
| 46 | 51-4060 | 3 | Screw-Blade | 99 | 105-7796-03 | 1 | Blade-Atomic ● |
| 47 | 103-0865 | 3 | Washer-Blade Bolt, Heavy | 99 | 105-7795-03 | 1 | Blade-Low Flow ● |

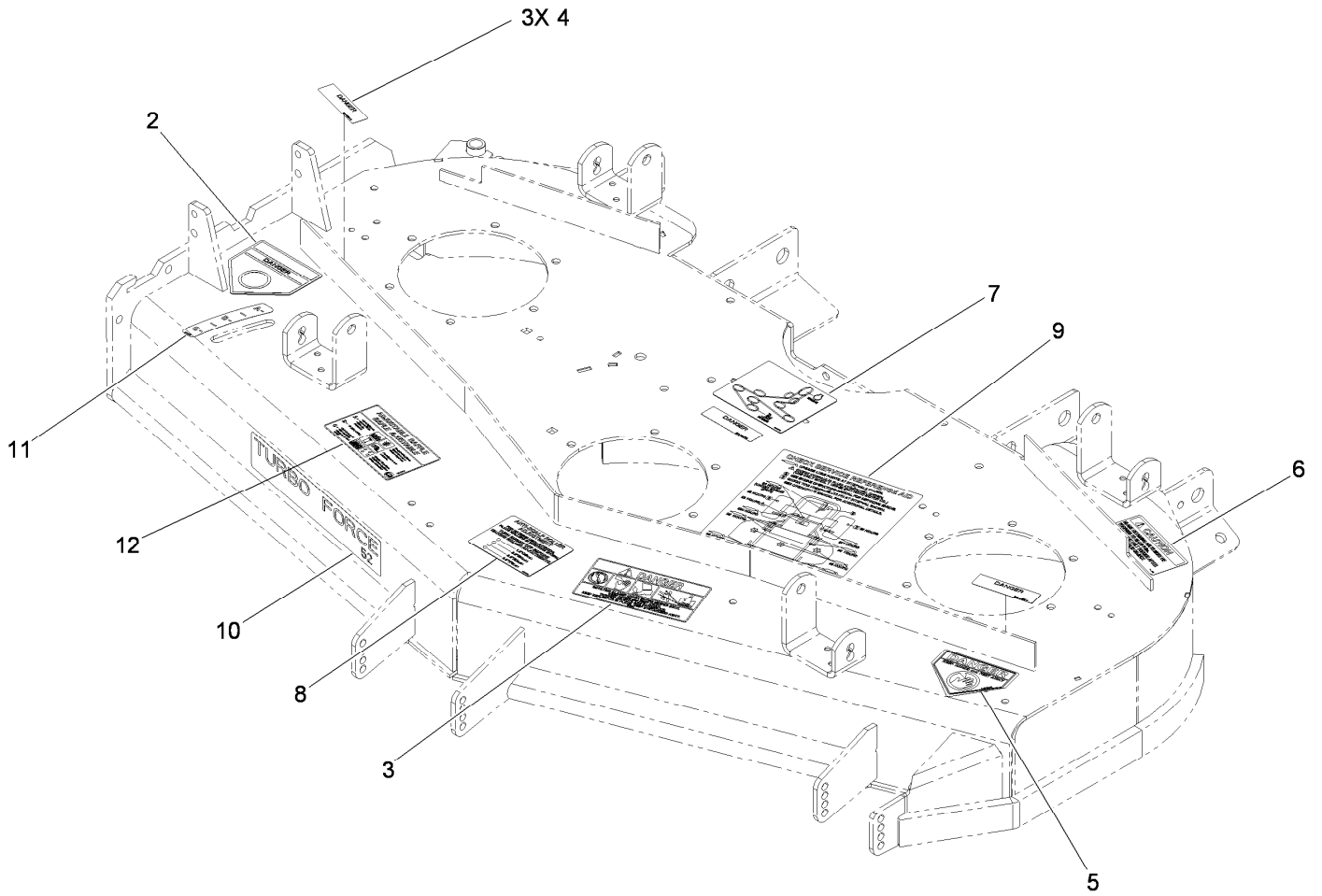
● Optional Equipment



Spindle Assembly No. 117-6158

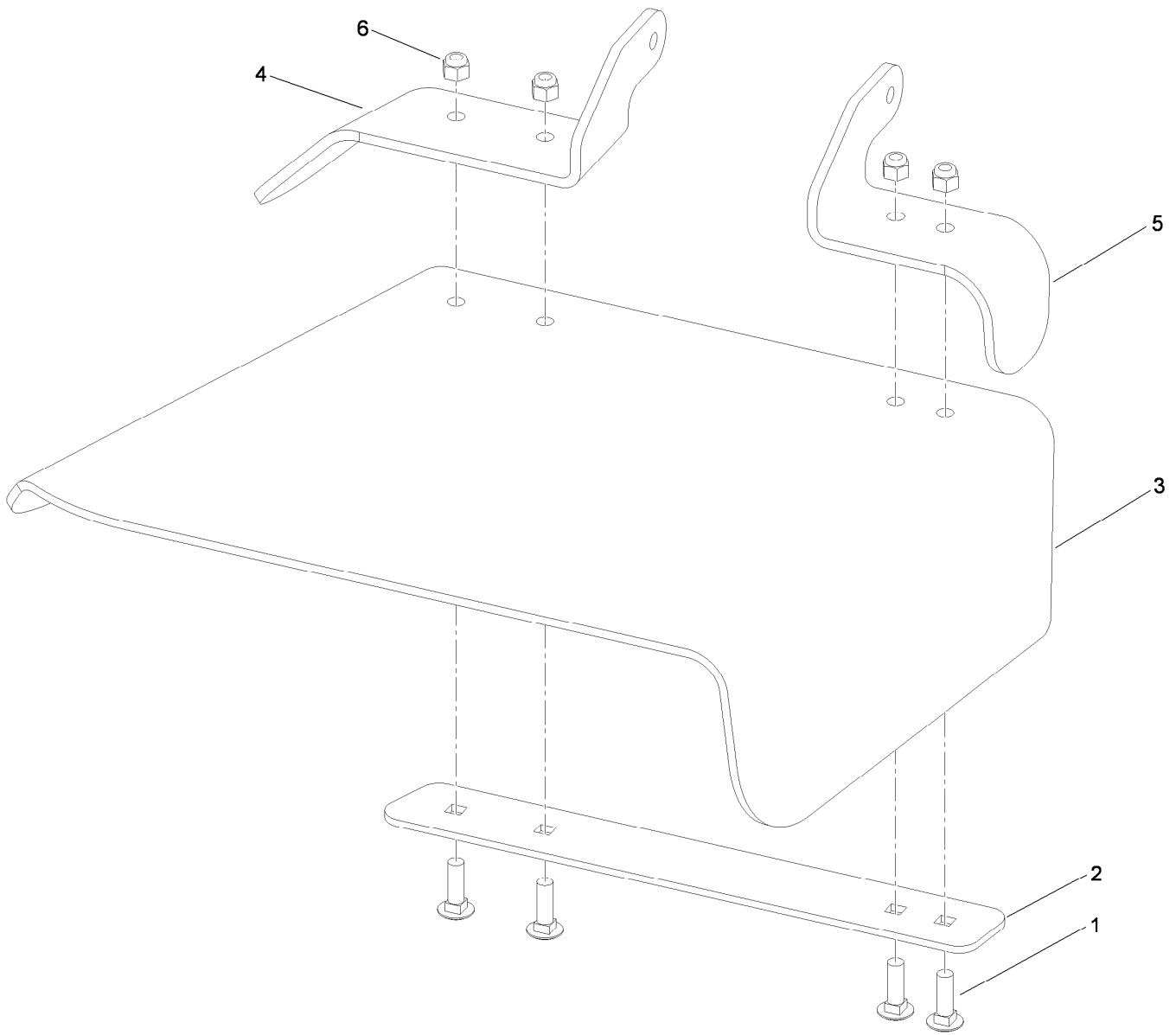
| <i>Ref.</i> | <i>Part Number</i> | <i>Qty.</i> | <i>Description</i> |
|-------------|--------------------|-------------|--------------------------------------|
| 2 | 3296-67 | 1 | Nut-Lock, NI |
| 3 | 92-5836 | 1 | Washer |
| 4 | 117-6172 | 1 | Spindle Hub ASM (W/Studs) |
| 5 | 117-6157 | 1 | Spindle Housing And Ball Bearing ASM |
| 5:1 | | 1 | Spindle Housing And Studs ASM ● |
| 5:1:2 | 114-8195 | 6 | Bolt-Ribbed Neck |
| 5:2 | 76-7500 | 2 | Bearing-Ball |
| 5:3 | 253-133 | 2 | Seal-Oil |
| 5:4 | 117-6184 | 1 | Spacer |
| 5:5 | 114-8161 | 1 | Ring-Snap |
| 6 | 119-1851 | 1 | Spindle Shaft And Zerk ASM |
| 6:2 | 302-2 | 1 | Fitting-Grease |

● Not serviced separately



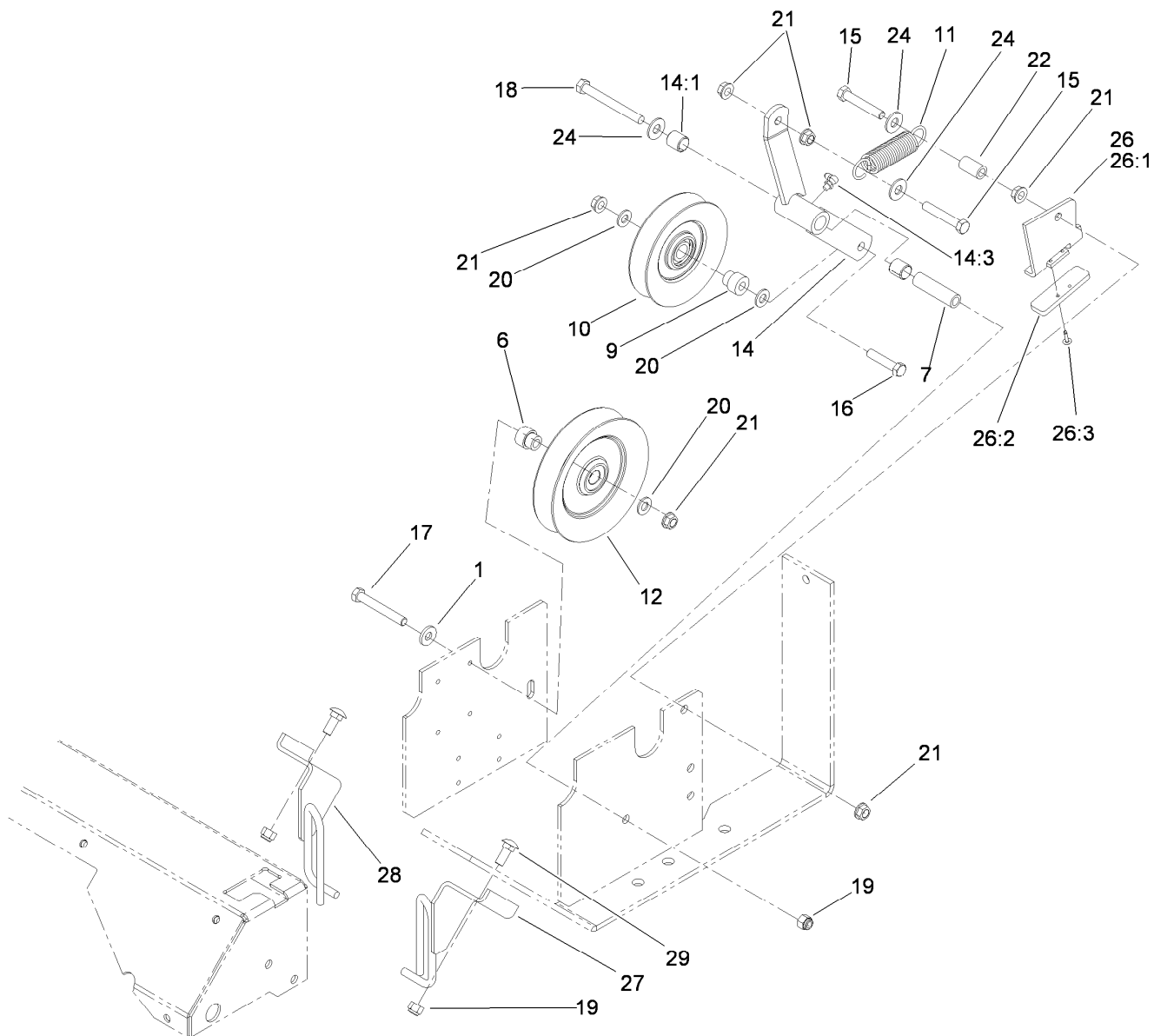
Deck Decal Assembly No.119-4205

| <i>Ref.</i> | <i>Part Number</i> | <i>Qty.</i> | <i>Description</i> |
|-------------|--------------------|-------------|-----------------------------|
| 2 | 54-9220 | 1 | Decal-Danger |
| 3 | 66-1340 | 1 | Decal-Danger, Thrown Object |
| 4 | 98-5954 | 3 | Decal-Cover, Missing |
| 5 | 1-403005 | 1 | Decal-Danger |
| 6 | 68-8340 | 1 | Decal-Torque |
| 7 | 105-7797 | 1 | Decal-Routing, Belt |
| 8 | 105-7798 | 1 | Decal-Scalp, Anti |
| 9 | 117-3813 | 1 | Decal-Service, Check |
| 10 | 107-1618 | 1 | Decal |
| 11 | 110-2067 | 1 | Decal-Setting, Baffle |
| 12 | 110-2068 | 1 | Decal-Adjustment, Baffle |



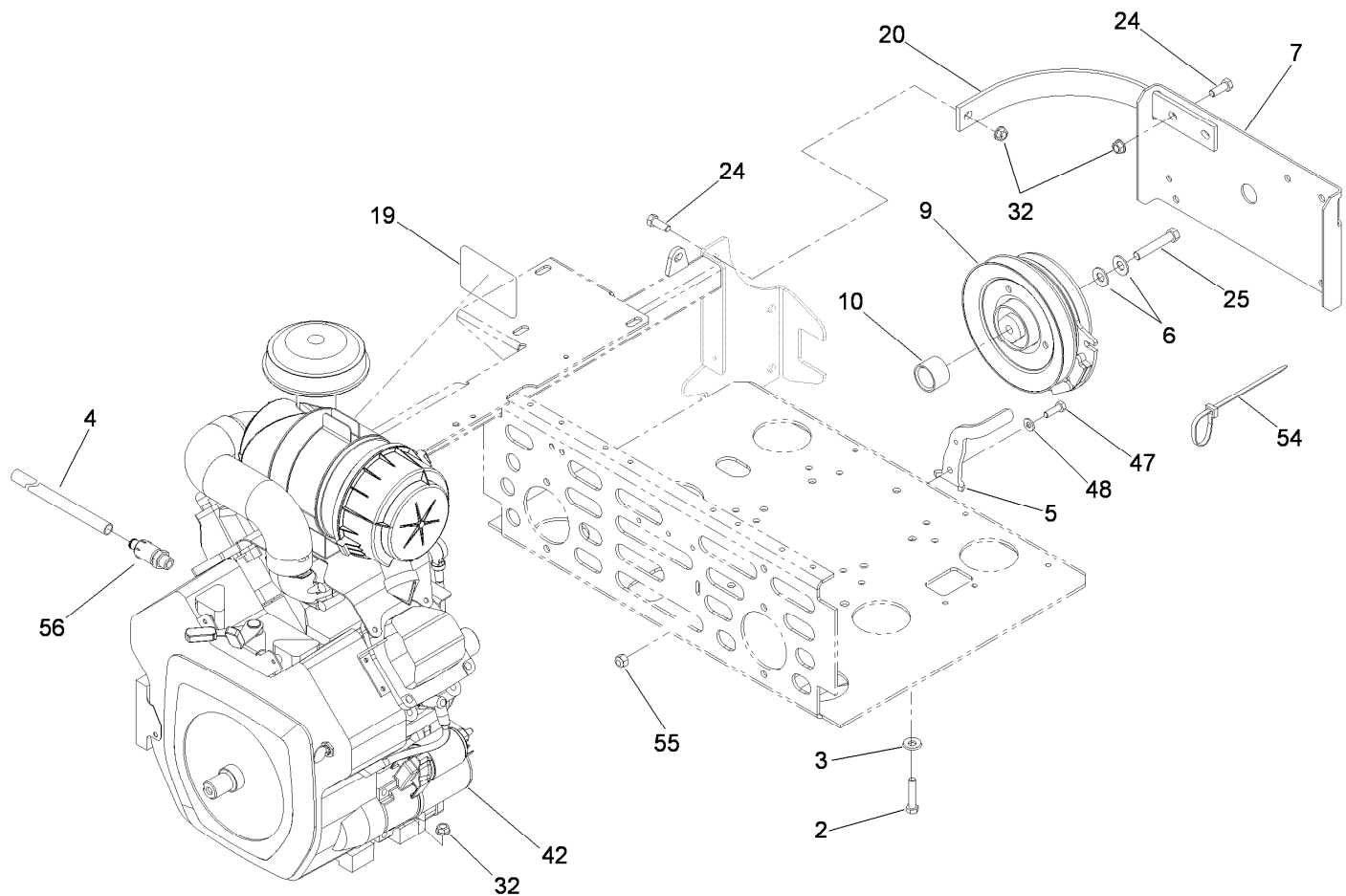
Rubber Deflector Assembly No. 108-7770

| <i>Ref.</i> | <i>Part Number</i> | <i>Qty.</i> | <i>Description</i> |
|-------------|--------------------|-------------|----------------------|
| 1 | 3231-25 | 4 | Screw-CARR |
| 2 | 106-3248-03 | 1 | Strap-Discharge |
| 3 | 108-5029 | 1 | Deflector-Rubber |
| 4 | 108-7767-03 | 1 | Bracket-Hinge, Rear |
| 5 | 108-7766-03 | 1 | Bracket-Hinge, Front |
| 6 | 3296-39 | 4 | Nut-Lock, NI |



Idler Assembly

| <i>Ref.</i> | <i>Part Number</i> | <i>Qty.</i> | <i>Description</i> | <i>Ref.</i> | <i>Part Number</i> | <i>Qty.</i> | <i>Description</i> |
|-------------|--------------------|-------------|----------------------|-------------|--------------------|-------------|-----------------------|
| 1 | 98-5975 | 1 | Washer-Belleville | 18 | 1-800805 | 1 | Screw-HH |
| 6 | 103-2627 | 1 | Bushing-Idler | 19 | 3296-39 | 3 | Nut-Lock, NI |
| 7 | 1-603384 | 1 | Bushing-Pivot, Idler | 20 | 3256-24 | 3 | Washer-Flat |
| 9 | 1-603496 | 1 | Bushing-Idler | 21 | 3290-357 | 6 | Nut-HHF, Whiz |
| 10 | 99-4638 | 1 | Idler | 22 | 1-603401 | 1 | Spacer-Fender |
| 11 | 1-603402 | 1 | Spring-Extension | 24 | 3256-4 | 3 | Washer-Flat |
| 12 | 1-633166 | 1 | Pulley-Idler | 26 | 106-3271 | 1 | Travel Limiter ASM |
| 14 | 103-3147 | 1 | Arm ASM | 26:1 | 106-3228-03 | 1 | Plate-Limiter, Pulley |
| 14:1 | 1-513034 | 2 | Sleeve-Bearing | 26:2 | 106-3229 | 1 | Pad-Bumper |
| 14:3 | 302-40 | 1 | Fitting-Grease | 26:3 | 3269-24 | 2 | Rivet |
| 15 | 323-12 | 2 | Screw-HH | 27 | 108-7204-03 | 1 | Guide-Belt, LH |
| 16 | 323-9 | 1 | Screw-HH | 28 | 108-7229-03 | 1 | Guide-Belt, RH |
| 17 | 323-13 | 1 | Screw-HH | 29 | 3231-2 | 2 | Screw-CARR |

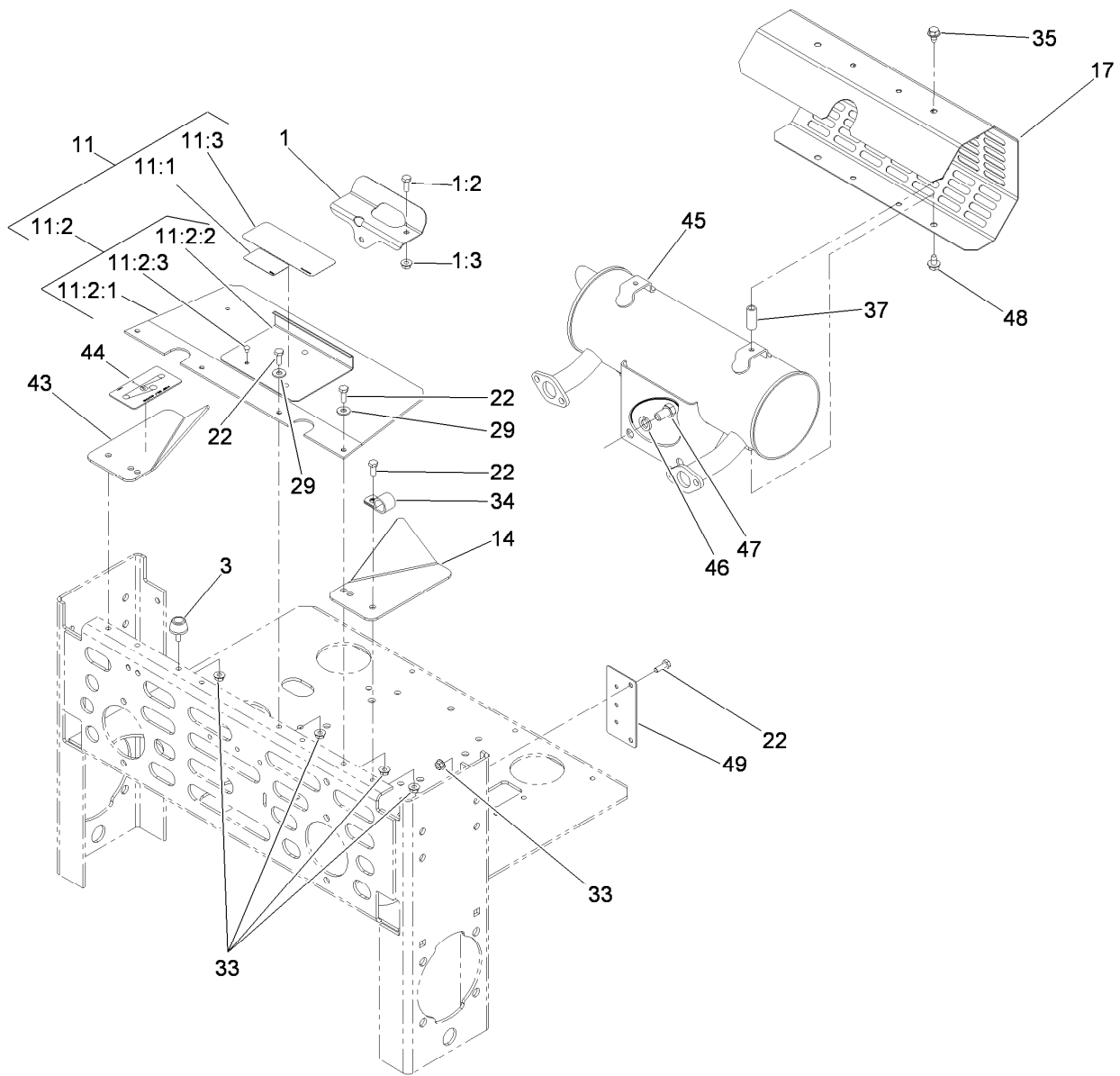


Engine and Clutch Assembly

| <i>Ref.</i> | <i>Part Number</i> | <i>Qty.</i> | <i>Description</i> | <i>Ref.</i> | <i>Part Number</i> | <i>Qty.</i> | <i>Description</i> |
|-------------|--------------------|-------------|--------------------|-------------|--------------------|-------------|----------------------------------|
| 2 | 323-9 | 4 | Screw-HH | 24 | 323-6 | 6 | Screw-HH |
| 3 | 98-5975 | 4 | Washer-Belleville | 25 | 3212-10 | 1 | Screw-HH |
| 4 | 106-7022 | 1 | Tube-Drain, Oil | 32 | 3290-357 | 8 | Nut-HHF, Whiz |
| 5 | 109-7083-03 | 1 | Anchor-Clutch | 42 | | 1 | Engine-Kohler, Ch740-3118 ● ■ |
| 6 | 1-603610 | 2 | Washer-Spring | 47 | 322-5 | 1 | Screw-HH |
| 7 | 1-633615-03 | 1 | Guard-Clutch | 48 | 1-303334 | 1 | Washer-Spring |
| 9 | 103-6579 | 1 | Clutch | 54 | 1-303335 | 1 | Tie-Plastic |
| 10 | 1-633179 | 1 | Spacer-Clutch | 55 | 3296-29 | 1 | Nut-Lock, NI |
| 19 | 103-3270 | 1 | Decal | 56 | 92-6877 | 1 | Valve-Drain, Oil |
| 20 | 103-7454-03 | 2 | Strap-Guard | | | | |

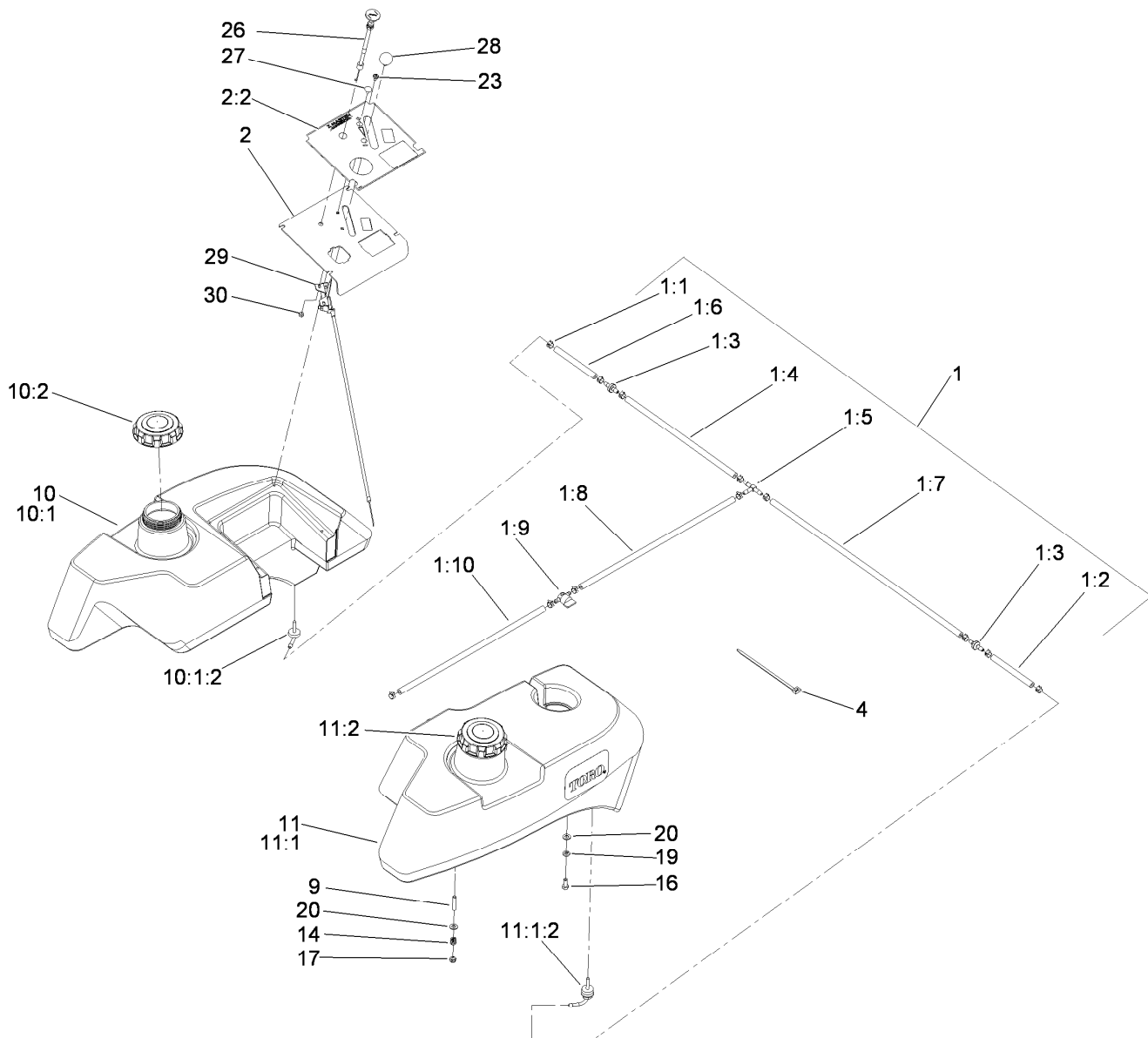
● Not serviced separately

■ Obtain parts from www.kohlerplus.com



Muffler and Guard Assembly

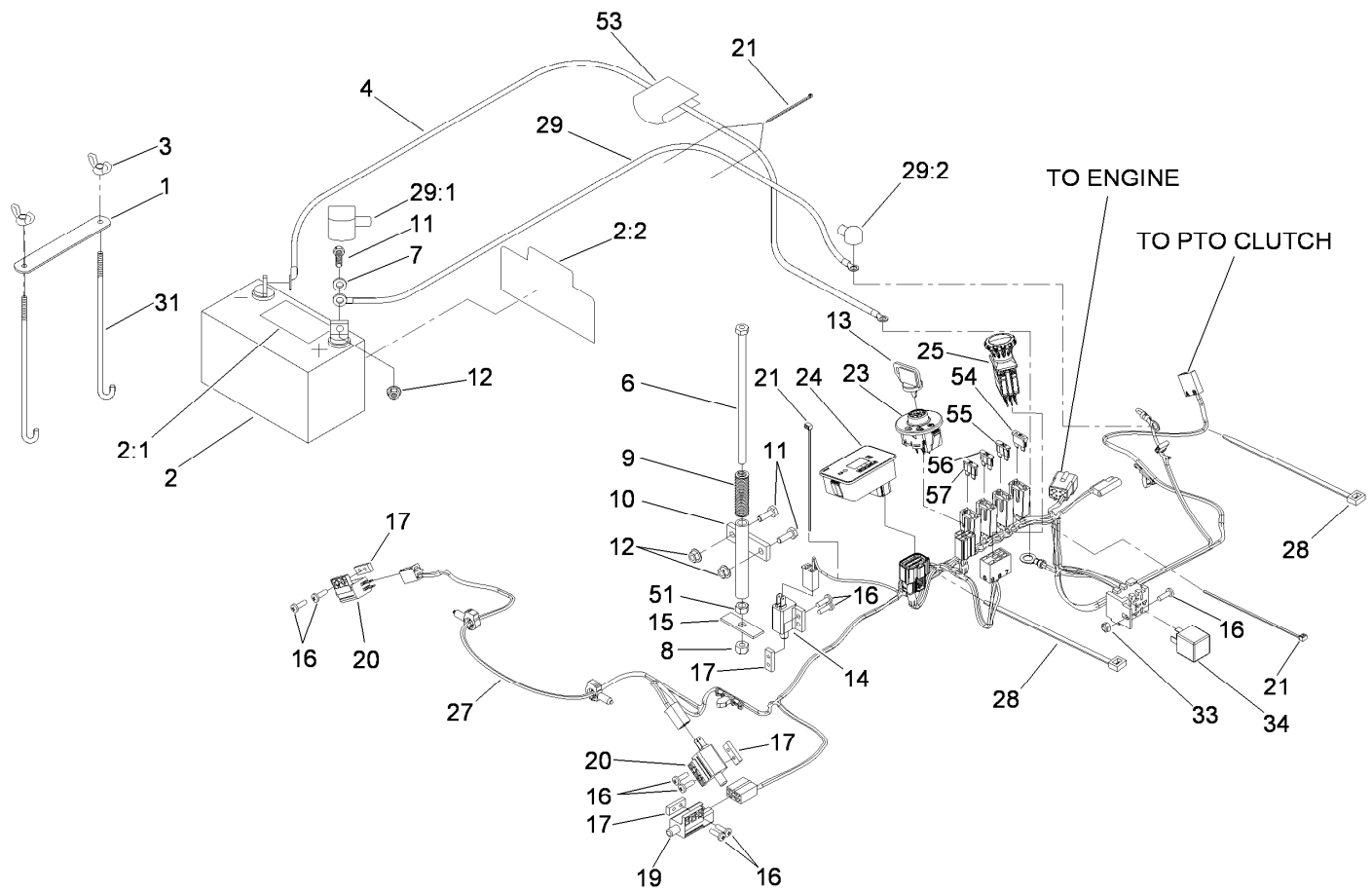
| <i>Ref.</i> | <i>Part Number</i> | <i>Qty.</i> | <i>Description</i> | <i>Ref.</i> | <i>Part Number</i> | <i>Qty.</i> | <i>Description</i> |
|-------------|--------------------|-------------|-------------------------|-------------|--------------------|-------------|-------------------------|
| 1 | 103-3535 | 1 | Cable Heat Shield Kit | 22 | 321-4 | 11 | Screw-HH |
| 1:2 | 321-4 | 1 | Screw-HH | 29 | 3256-2 | 4 | Washer-Flat |
| 1:3 | 32128-33 | 1 | Nut-HF | 33 | 32128-33 | 13 | Nut-HF |
| 3 | 109-2365 | 2 | Bumper-Rubber (W/Stud) | 34 | 1-633396 | 1 | Clip-Loom |
| 11 | 1-644276 | 1 | Shield ASM | 35 | 1-809108 | 2 | Screw-HWH |
| 11:1 | 1-633462 | 1 | Decal-Important | 37 | 1-323236 | 2 | Spacer |
| 11:2 | 1-634308 | 1 | Shield And Lift ASM | 43 | 103-6619-03 | 1 | Support-Front Cover, RH |
| 11:2:1 | 103-1308 | 1 | Shield-Engine | 44 | 1-643339 | 1 | Decal-Routing, Belt |
| 11:2:2 | 1-633300-03 | 1 | Lift-Shield | 45 | 103-7482 | 1 | Muffler |
| 11:2:3 | 1-803035 | 3 | Rivet-Pop | 46 | 3253-6 | 2 | Washer-Lock |
| 11:3 | 103-5881 | 1 | Decal-Devices, Rotating | 47 | 324-2 | 2 | Screw-HH |
| 14 | 103-6620-03 | 1 | Support-Front Cover, LH | 48 | 9266934 | 2 | Screw |
| 17 | 1-643313-03 | 1 | Guard-Muffler | 49 | 109-7679-03 | 1 | Mount-Relay |



Fuel System Assembly

| Ref. | Part Number | Qty. | Description | Ref. | Part Number | Qty. | Description |
|------|-------------|------|----------------------|--------|-------------|------|----------------------------|
| 1 | 107-9285 | 1 | Fuel Line ASM | 10:1:2 | 103-2605 | 1 | Fitting-Fuel, Bulkhead |
| 1:1 | 2412-98 | 12 | Clamp | 10:2 | 109-0346 | 1 | Cap-Fuel, Gas |
| 1:2 | 109-0678 | 1 | Hose-Fuel | 11 | 105-3643 | 1 | RH Fuel Tank Kit |
| 1:3 | 99-5000 | 2 | Valve-Check, Fuel | 11:1 | | 1 | RH Fuel Tank ASM ● |
| 1:4 | 109-0305 | 1 | Hose-Fuel | 11:1:2 | 103-2605 | 1 | Fitting-Fuel, Bulkhead |
| 1:5 | 99-5005 | 1 | Fitting-Tee, Barbed | 11:2 | 109-0346 | 1 | Cap-Fuel, Gas |
| 1:6 | 109-0303 | 1 | Hose-Fuel | 14 | 1-633349 | 6 | Spring-Tank, Fuel |
| 1:7 | 109-0302 | 1 | Hose-Fuel | 16 | 322-3 | 2 | Screw-HH |
| 1:8 | 109-0299 | 1 | Hose-Fuel | 17 | 3296-47 | 6 | Nut-Lock, NI |
| 1:9 | 1-603770 | 1 | Valve-Fuel | 19 | 1-805005 | 2 | Washer-Lock |
| 1:10 | 114-4428 | 1 | Hose-Fuel | 20 | 3256-23 | 8 | Washer-Flat |
| 2 | 117-0907 | 1 | Control Panel ASM | 23 | 109-2661 | 4 | Screw-PPH |
| 2:2 | 117-0905 | 1 | Decal-Panel, Control | 26 | 106-9962 | 1 | Control-Choke, Push / Pull |
| 4 | 1-303335 | 4 | Tie-Plastic | 27 | 1-807513 | 2 | Bolt-CARR |
| 9 | 1-6333023 | 6 | Stud | 28 | 1-513592 | 1 | Knob-Ball |
| 10 | 105-3644 | 1 | LH Fuel Tank Kit | 29 | 107-8073 | 1 | Cable-Throttle |
| 10:1 | | 1 | LH Fuel Tank ASM ● | 30 | 3296-2 | 2 | Nut-Lock, NI |

● Not serviced separately



Electrical Assembly

| <i>Ref.</i> | <i>Part Number</i> | <i>Qty.</i> | <i>Description</i> | <i>Ref.</i> | <i>Part Number</i> | <i>Qty.</i> | <i>Description</i> |
|-------------|--------------------|-------------|-------------------------|-------------|--------------------|-------------|------------------------------|
| 1 | 107-9277-03 | 1 | Strap-Holddown, Battery | 21 | 1-303287 | 5 | Tie-Cable |
| 2 | 105-1692 | 1 | Battery | 23 | 117-2221 | 1 | Switch-Ignition |
| 2:1 | 104-4163 | 1 | Decal-Battery | 24 | 112-8650 | 1 | Hour Meter ASM |
| 2:2 | 104-4164 | 1 | Decal-Battery | 25 | 116-0124 | 1 | Switch-PTO, 10A |
| 3 | 1-543792 | 2 | Wingnut | 27 | 114-4441 | 1 | Harness-Electrical |
| 4 | 1-633307 | 1 | Wire-Ground | 28 | 1-303335 | 2 | Tie-Plastic |
| 6 | 1-800282 | 1 | Screw-HH | 29 | 109-7630 | 1 | Positive Battery Cable ASM |
| 7 | 3256-2 | 2 | Washer-Flat | 29:1 | 109-2407 | 1 | Insulator-Battery |
| 8 | 3296-29 | 1 | Nut-Lock, NI | 29:2 | 1-543393 | 1 | Insulator-Solenoid |
| 9 | 1-523415 | 1 | Spring-Switch, Seat | 31 | 1-633651 | 2 | Bolt-Holddown |
| 10 | 1-522424-03 | 1 | Mount-Spring, Seat | 33 | 3296-2 | 1 | Nut-Lock, NI |
| 11 | 321-4 | 4 | Screw-HH | 34 | 1-643275 | 1 | Relay |
| 12 | 32128-33 | 4 | Nut-HF | 51 | 3217-6 | 1 | Nut-Hex |
| 13 | 63-8360 | 2 | Key-Ignition | 53 | 107-9309 | 1 | Decal-Instructions, Charging |
| 14 | 1-513152 | 1 | Switch-Closed, Normally | 54 | 109355 | 1 | Fuse-15 Amp |
| 15 | 1-513180 | 1 | Plate-Switch, Seat | 55 | 109103 | 1 | Fuse-30 Amp |
| 16 | 3290-500 | 9 | Screw-PPH | 56 | 109102 | 1 | Fuse-25 Amp |
| 17 | 1-633181 | 4 | Plate-Tapped | 57 | 218-578 | 1 | Fuse-10 Amp |
| 19 | 1-633111 | 1 | Switch | | | | |
| 20 | 1-513051 | 2 | Switch-Open, Normally | | | | |

Attachments and Accessories

For 74295 Z500 Z Master, With 52in TURBO FORCE Side Discharge Mower

| Product Name | Model/Part |
|--|-------------------|
| Winter Hydraulic Filter | 1-633752 |
| Z Stand Kit | 105-1622 |
| 1.25 Inch Spark Arrester Kit | 105-1672 |
| Blade-Recycler, 18 inch | 105-7779-03 |
| Blade-Hi Flow, 18 Inch | 105-7781-03 |
| Blade-Med Flow, 18 inch | 105-7794-03 |
| Blade-Low Flow, 18 inch | 105-7795-03 |
| Blade-Atomic, 18 inch | 105-7796-03 |
| Recycler Kit | 107-1610 |
| Striping Kit | 107-1630 |
| Turbo Baffle Kit | 107-1634 |
| Light Kit | 107-9880 |
| Blade-Hi Flow, 18 inch (6 Pack) | 108-1117 |
| Blade-Atomic, 18 inch (6 Pack) | 108-1118 |
| Roller Striping Kit | 108-2162 |
| Blade-Lo Flow, 18 inch (6 Pack) | 110-0406 |
| Blade-Recycler, 18 inch (6 Pack) | 110-0408 |
| Blade-Med Flow, 18 inch (6 Pack) | 110-0409 |
| Cool Top ROPS Mounted Fan | 110-1996 |
| Castor Wheel Assembly (Semi Pneumatic) | 110-5746 |
| Deck Lift Assist Kit | 110-5761 |
| Bimini Folding Shade Assembly | 115-4510 |
| Chute Gate Kit | 78521 |
| Twin Bag Assembly | 78533 |
| Blower and Drive Kit | 78537 |
| Filter Minder Gauge | 99-4664 |
| Hitch Kit | 99-8925 |

Notes:



Count on it.