



Count on it.

Parts Catalog

Super Recycler® Lawn Mower

Model No. 20095—Serial No. 310004269 and Up

Ordering Replacement Parts

To order replacement parts, please supply the part number, the quantity, and the description of each part desired.

Understanding Reference Numbers

Each identified part in an illustration has a reference number. The reference number for a part also appears in the parts list, along with other information about the part.

This catalog uses two special reference number formats, one to indicate parts in a service assembly and another to indicate the quantity of a given part in an illustration.

Service Assembly Reference Numbers

Parts in service assemblies have reference numbers in the form a:b. The a represents the reference number of the entire service assembly and the b represents a sequential number unique to each part within the service assembly.

For example, a wheel assembly might be identified by reference number 6, the tire by 6:1, the valve by 6:2, and the wheel by 6:3. When you order the assembly identified by reference number 6, you receive all parts identified by reference numbers 6:1, 6:2, and 6:3. However, you may also order any part individually. Reference numbers of this type appear in illustration and in parts lists.

Reference Numbers Indicating Quantity

In an illustration, if a reference number indicates more than one part, the reference number has the form nX y. The n represents the quantity of the part, the X is the multiplication symbol, and the y represents the reference number.

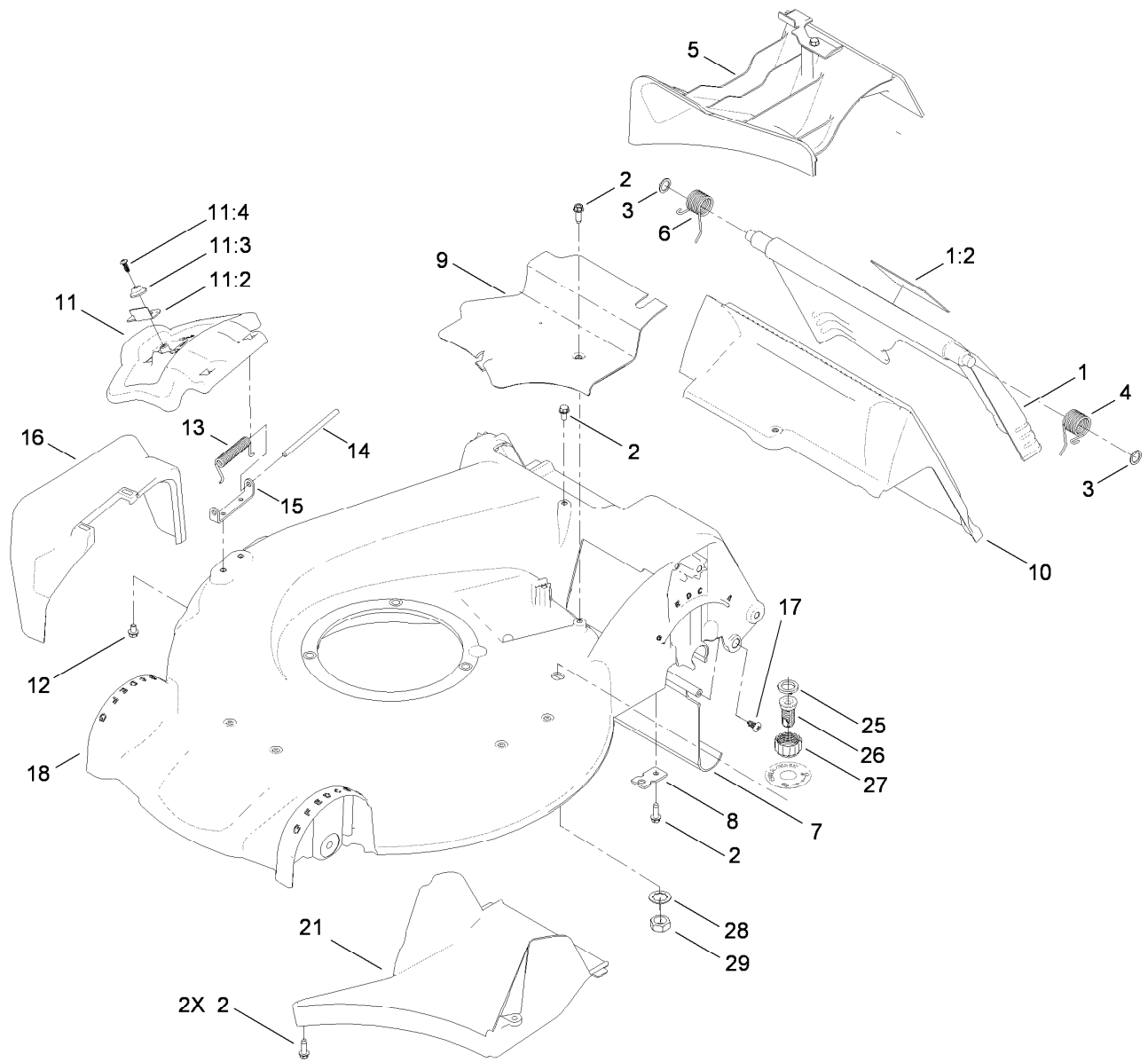
For example, in an illustration, the reference number 2X 37 means that two of the parts identified by reference number 37 are indicated.

List of Abbreviations

AR: as required	HSBH: hex socket button head	SFH: slotted fillister head
ASM: assembly	HSFH: hex socket flat head	SHH: slotted hex head
BBC: blade brake control	HSH: hex socket head	SHWH: slotted hex washer head
BHTF: button head thread forming	HWH: hex washer head	SPH: slotted pan head
CARR: carriage	HWHTF: hex washer head thread forming	SQH: square head
CCW: counter clockwise	HYD: hydraulic	SRH: slotted round head
CW: clockwise	LH: left hand	STD: standard
DEG: degrees	LP: Liquid Propane	TAP: self tapping
ECM: electronic control module	NI: nylon insert	TTH: torx truss head
EXT: external	NPTF: national pipe thread fine	
FH: flat head	PFH: phillips flat head	
GA: gauge	PPH: phillips pan head	
HD: heavy-duty	PPHTF: phillips pan head thread forming	
HF: hex flange	PRH: phillips round head	
HH: hex head	PTH: phillips truss head	
HHF: hex head flange	PTO: power-take-off	
HHFTF: hex head flange thread forming	RH: right hand	
HJ: hex jam	ROPS: roll-over protection system	
HLH: hex lag head	RRB: rear roller brush	
HOC: height-of-cut		

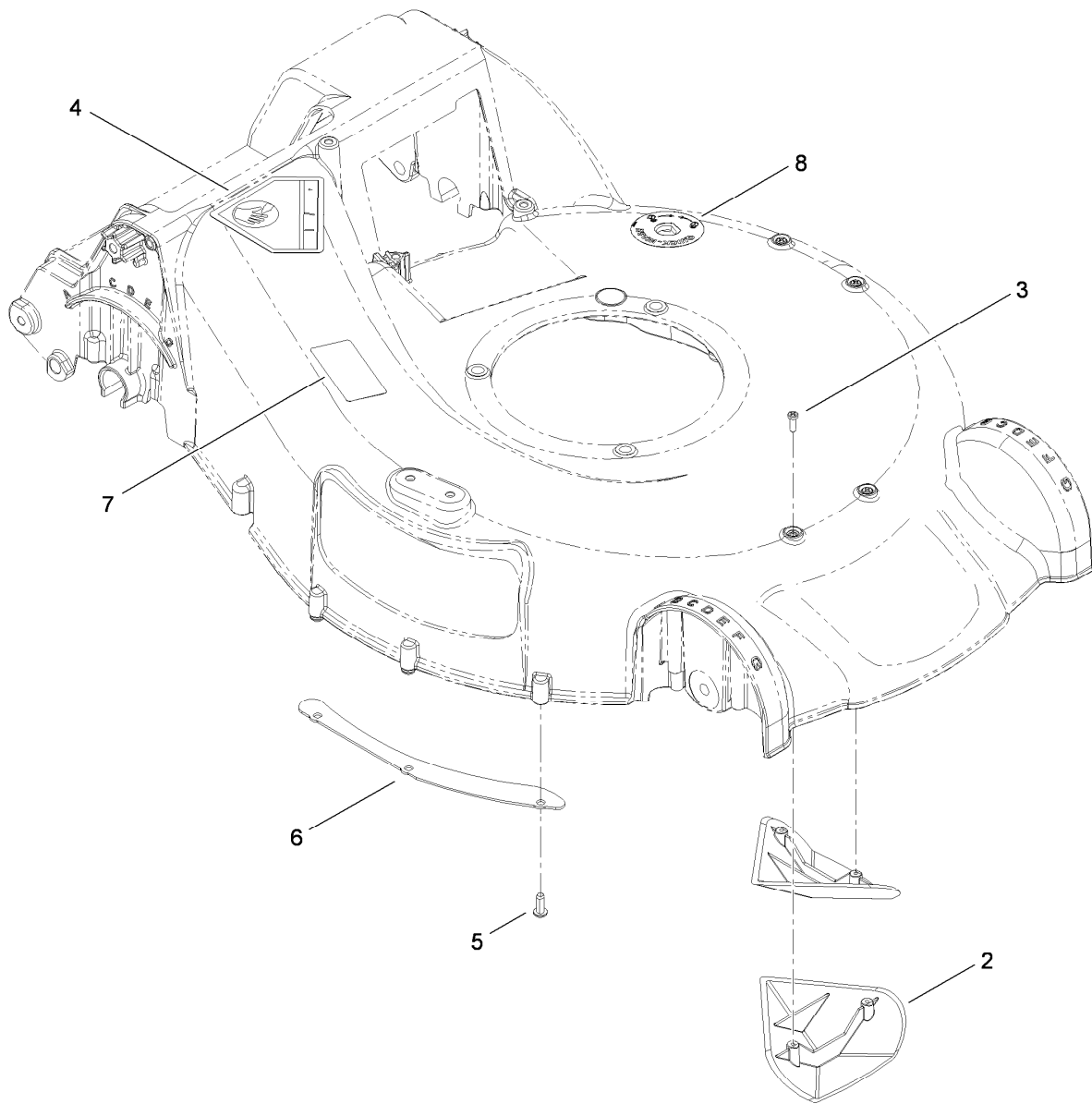
Contents

Housing and Rear Door Assembly	4
Housing Assembly No. 115-2854	5
Front Wheel and Height-of-Cut Assembly	6
Rear Wheel and Transmission Assembly	7
Engine and Blade Assembly	8
Handle Assembly	9
Battery and Harness Assembly	10
Bag Assembly	11
Attachments and Accessories	12



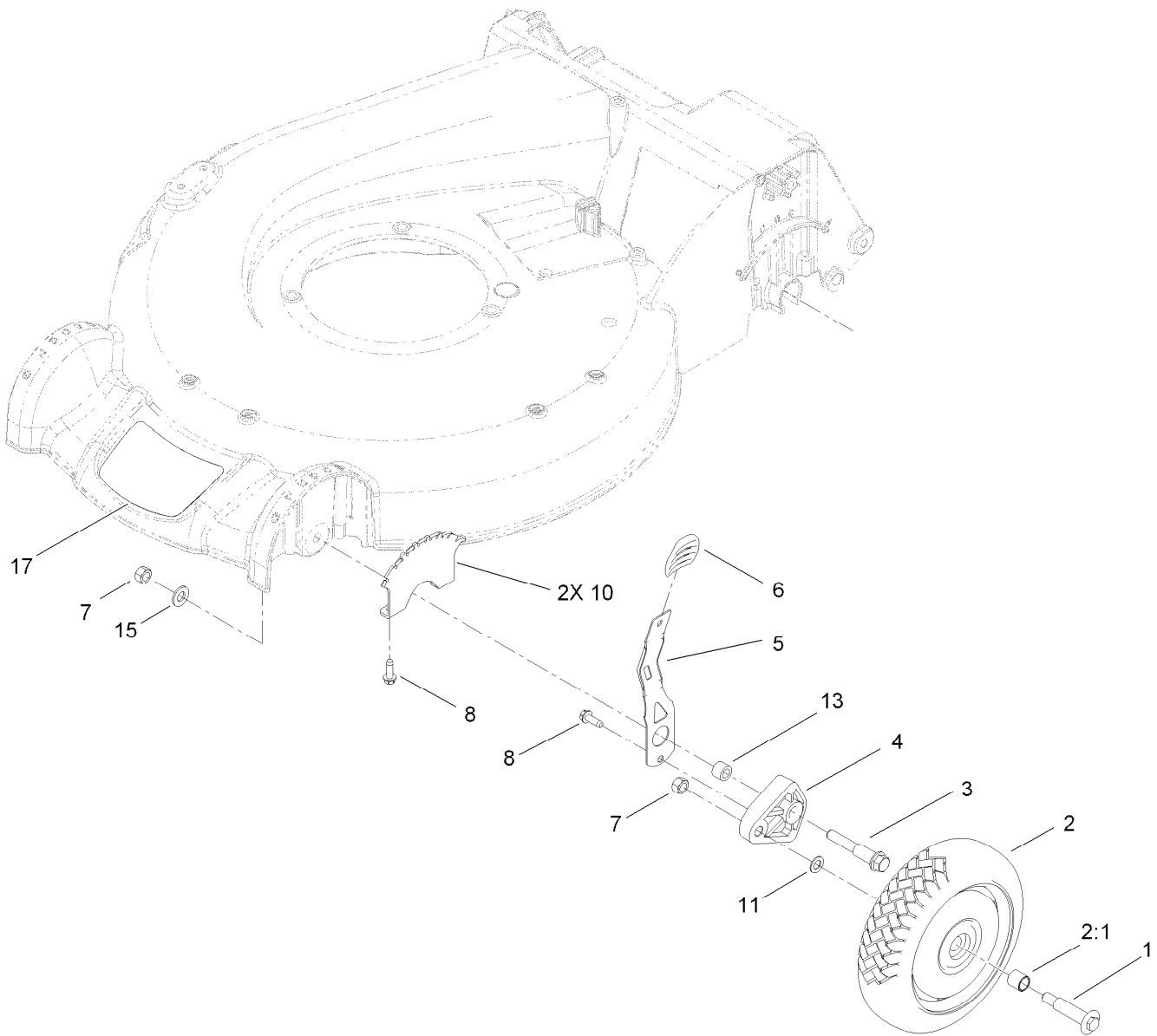
Housing and Rear Door Assembly

Ref.	Part Number	Qty.	Description	Ref.	Part Number	Qty.	Description
1	114-7992	1	Rear Door ASM	12	99-8445	2	Screw-HWH
1:2	114-7982	1	Decal-Warning	13	99-5293	1	Spring-Torsion
2	49-2040	5	Screw-HWHTF	14	99-5291	1	Rod-Cover
3	94-8196	2	Washer-Nylon	15	112-6416	1	Bracket-Cover
4	115-2859	1	Spring-Torsion	16	108-3753	1	Chute-Discharge, Side
5	115-8413	1	Mulch Plug ASM	17	117-1092	2	Screw-PTH
6	114-7924	1	Spring-Torsion	18	115-2854	1	Housing ASM
7	114-1586	1	Shield-Trailing	21	107-7495	1	Tunnel-Discharge
8	107-7497	1	Bracket-Cable, Traction	25	112-6438	1	Washer-Seal, Washout Port
9	107-7494	1	Cover-Belt	26	112-6400	1	Port-Washout
10	114-2668	1	Chute	27	112-6401	1	Coupling-Hose, Washout Port
11	107-3717	1	Discharge Door ASM	28	3254-5	1	Washer-Tooth, Internal
11:2	107-0795	1	Latch-Door	29	3218-6	1	Nut-Jam
11:3	107-7456	1	Cap-Door				
11:4	107-7461	1	Screw-Plastite				



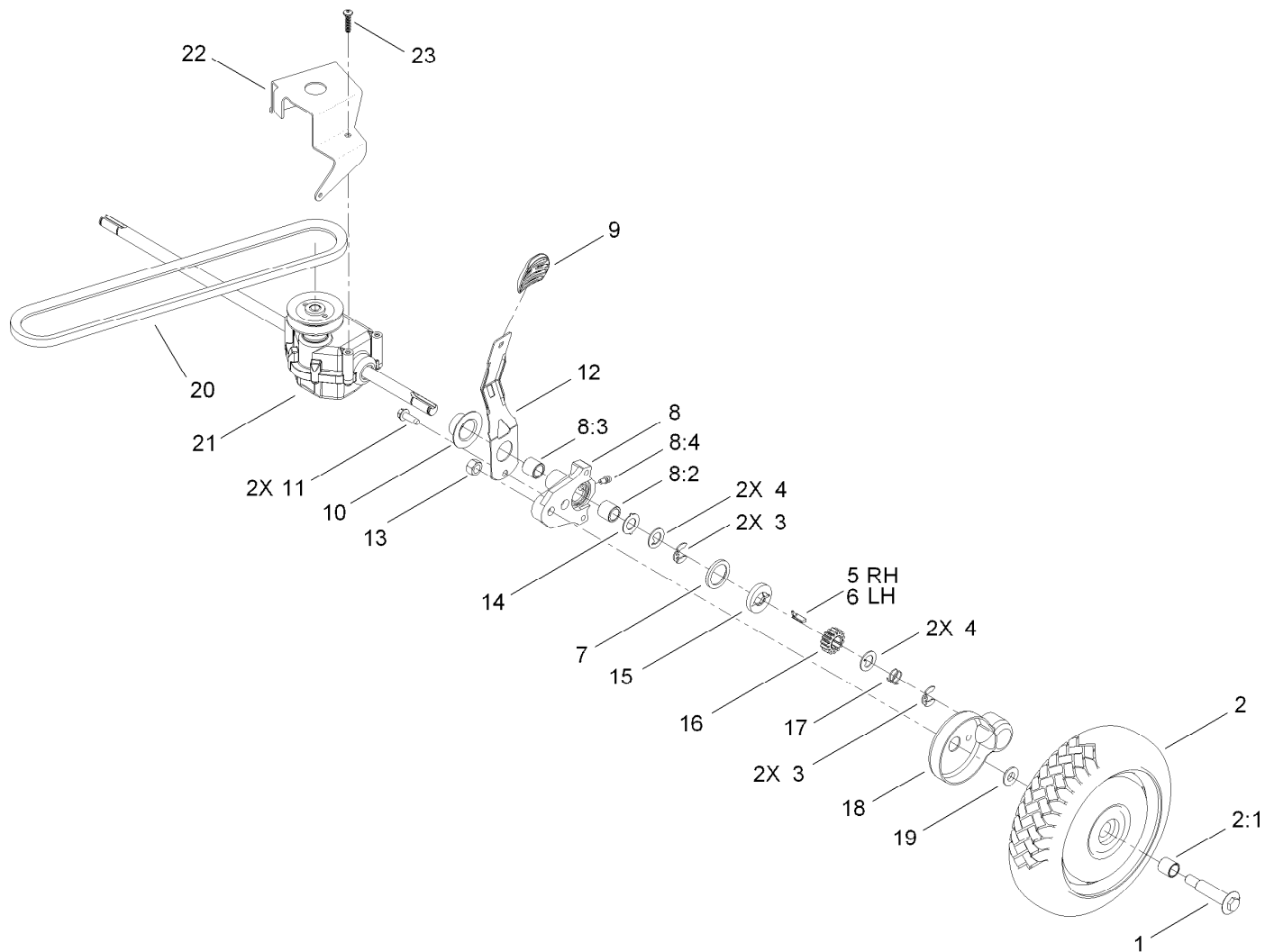
Housing Assembly No. 115-2854

<i>Ref.</i>	<i>Part Number</i>	<i>Qty.</i>	<i>Description</i>
2	108-3798	2	Kicker-Housing
3	32144-111	4	Screw-PPH
4	94-8072	1	Decal-Danger
5	63-8590	3	Screw
6	105-1316-03	1	Sheet-Lip
7	108-8117	1	Decal-Placement, Foot
8	112-8867	1	Decal-Port, Washout



Front Wheel and Height-of-Cut Assembly

<i>Ref.</i>	<i>Part Number</i>	<i>Qty.</i>	<i>Description</i>
1	92-1057	2	Bolt-Shoulder
2	51-2752	2	Wheel ASM
2:1	27-6250	2	Bushing
3	114-3467	2	Screw-Shoulder
4	107-7492	2	Arm-Pivot
5	107-7491	2	Arm-Spring
6	105-3042	2	Knob-Lever, HOC
7	603773	4	Nut
8	49-2040	10	Screw-HWHTF
10	107-7478	4	Plate-HOC
11	40-1940	2	Washer
13	52-2480	2	Spacer-Wheel
15	3256-24	2	Washer-Flat
17	119-3806	1	Decal-Housing

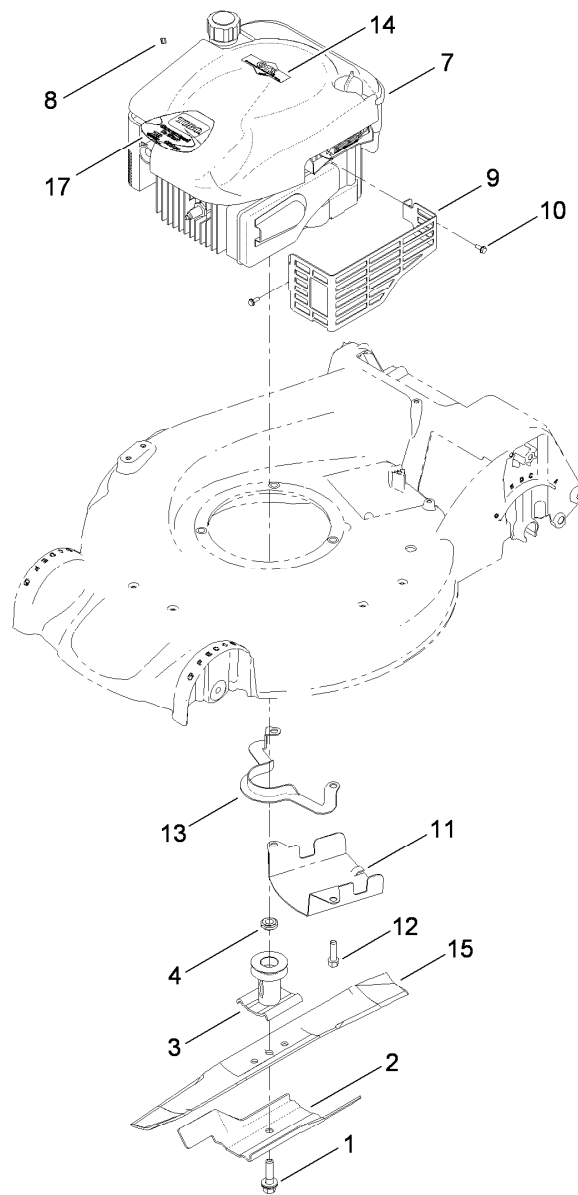


Rear Wheel and Transmission Assembly

Ref.	Part Number	Qty.	Description
1	92-1057	2	Bolt-Shoulder
2	51-2752	2	Wheel ASM
2:1	27-6250	1	Bushing
3	65-2720	4	Ring-Clip, Locking
4	65-4740	4	Washer-Thrust, Keyed
5	66-6040	1	Key-Rocking, RH ●
6	66-6050	1	Key-Rocking, LH
7	65-4710	2	Ring-Friction
8	100-8774	2	Pivot Arm ASM
8:2	47-2900	1	Bushing
8:3	70-9760	1	Bushing
8:4	302-56	1	Fitting-Grease
9	105-3042	2	Knob-Lever, HOC
10	42-3520	2	Cap-End

Ref.	Part Number	Qty.	Description
11	49-2040	2	Screw-HWHTF
12	107-7491	2	Arm-Spring
13	603773	2	Nut
14	65-4730	2	Washer-Arm, Pivot
15	65-4760	2	Washer-Clutch
16	65-4750	2	Gear-Pinion
17	65-4720	2	Spring-Compression
18	74-1660	2	Cover-Wheel
19	74-1671	2	Spacer-Cover, Wheel
20	92-1043	1	V-Belt
21	115-4560	1	Transmission ASM
22	114-7977-03	1	Bracket-Transmission
23	108-7476	3	Screw-Plastite

● Not illustrated

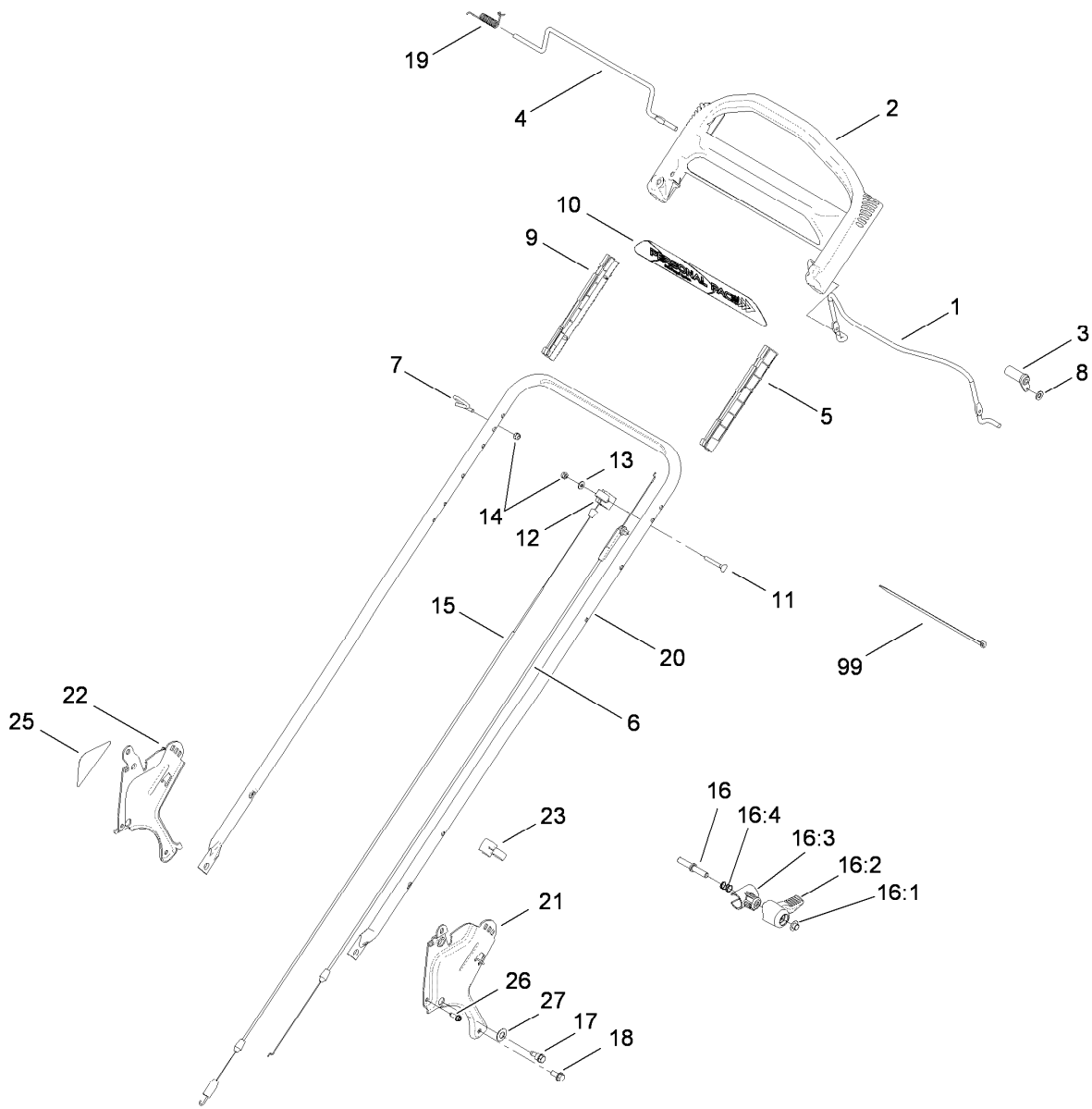


Engine and Blade Assembly

Ref.	Part Number	Qty.	Description
1	105-8579	1	Bolt-Blade
2	105-6848-03	1	Accelerator-Blade
3	106-3987	1	Blade Driver ASM
4	106-3999	1	Spacer-Driver
7		1	Engine-Briggs, 128T07-3226-B1 ●■
8	2210-316	1	Stop-Rope
9	104-7577-03	1	Shield-Muffler
10	32144-1	3	Screw-Taptite
11	107-7489-03	1	Shield-Grass
12	95-1727	3	Screw-Taptite
13	108-8110-03	1	Guide-Belt
14	108-8130	1	Decal-Recoil
15	108-3762-03	1	Blade-Recycling
17	119-3782	1	Decal-Shroud

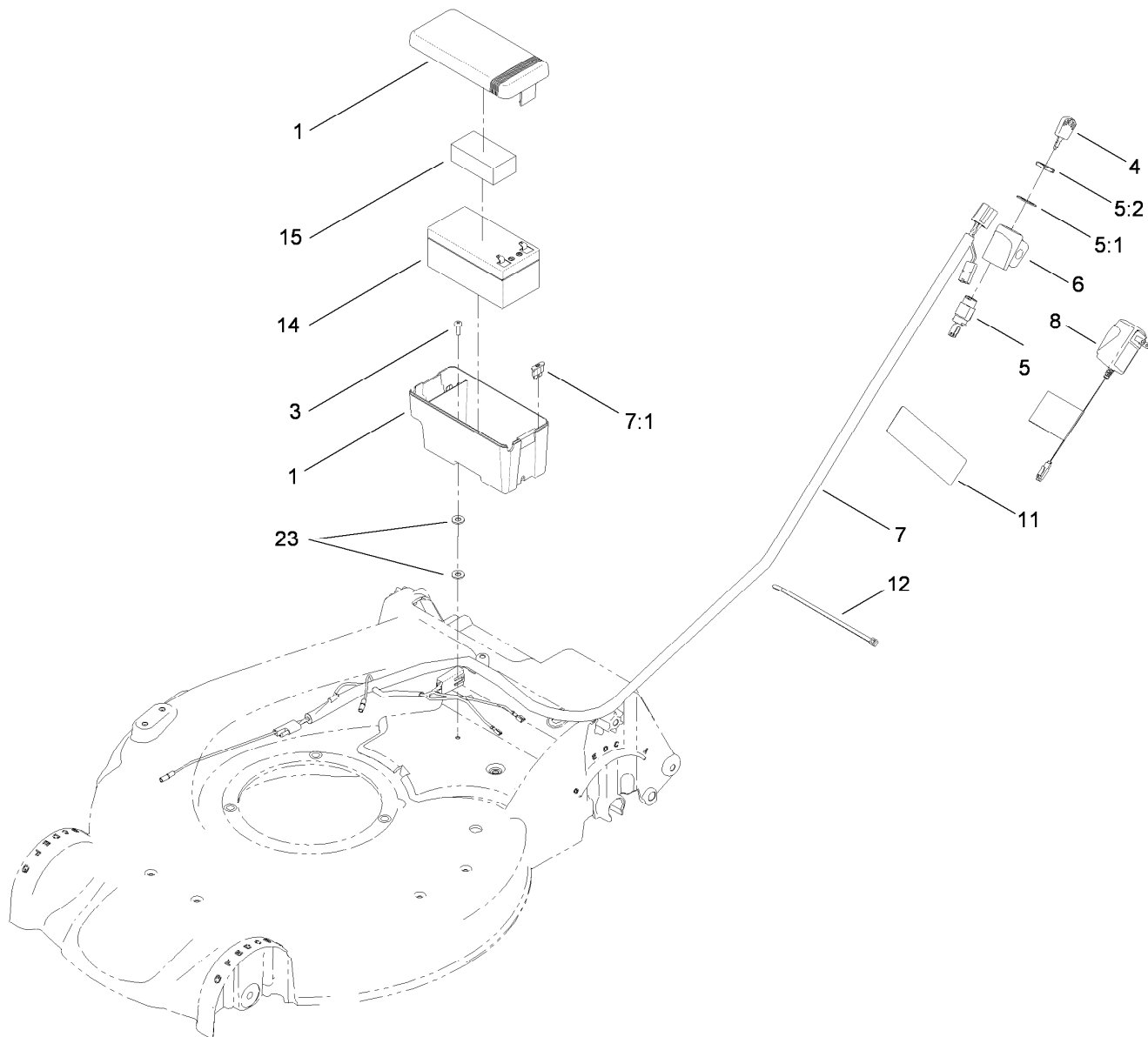
● Not serviced separately

■ Obtain parts from www.briggsandstratton.com



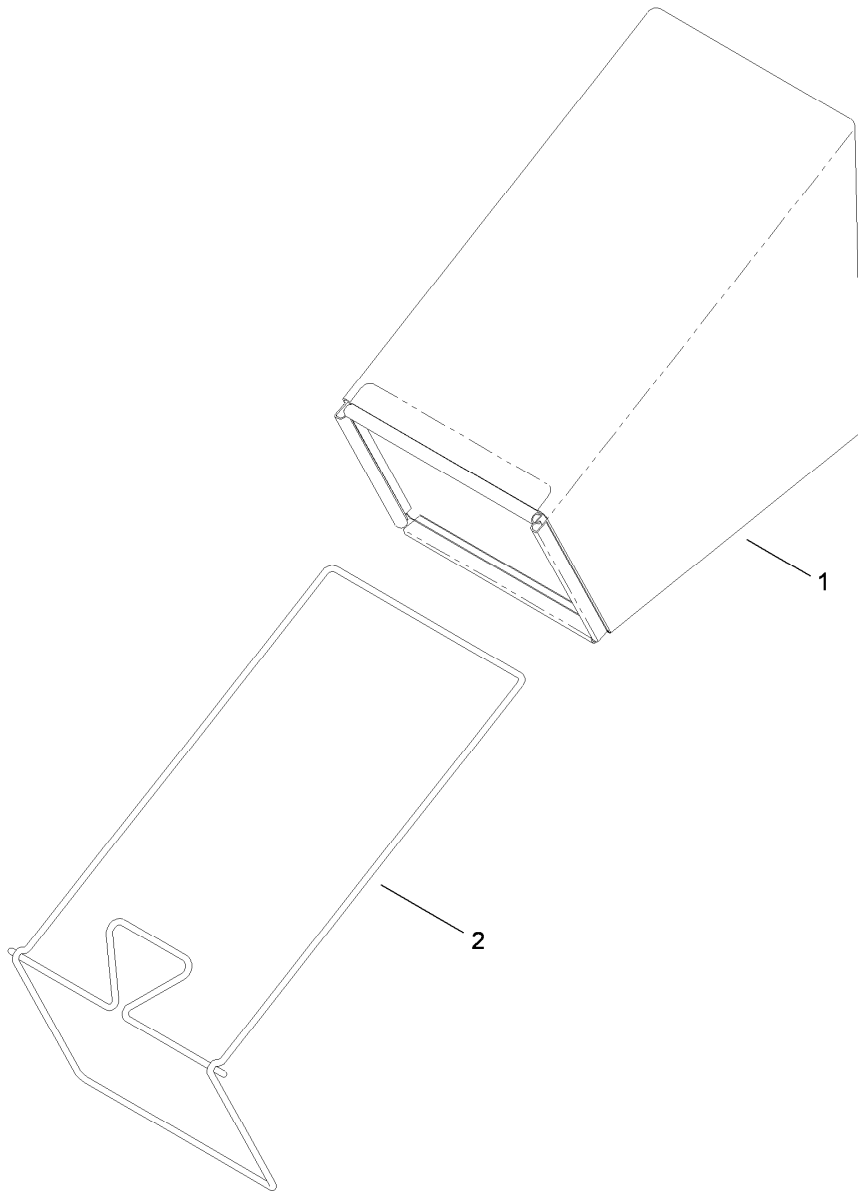
Handle Assembly

Ref.	Part Number	Qty.	Description	Ref.	Part Number	Qty.	Description
1	104-8679-03	1	Bail-Brake	16:1	109-0917	1	Nut-Push
2	104-8678	1	Handle-Control	16:2	114-7995	1	Lever
3	99-1589	1	Lever-Traction	16:3	114-7996	1	Anchor-Spring
4	99-1588	1	Bar-Control, Traction	16:4	115-2858	1	Spring-Compression
5	105-6842	1	Guide-LH	17	115-1958	2	Bolt-Shoulder
6	117-5900	1	Cable-Brake	18	32144-11	2	Screw-HWHTF
7	86-9671	1	Guide-Rope	19	104-8690	1	Spring-Torsion
8	3256-23	1	Washer-Flat	20	115-1300-05	1	Handle
9	105-6841	1	Guide-RH	21	114-2671-03	1	Bracket-Handle, LH
10	117-1019	1	Decal	22	114-2672-03	1	Bracket-Handle, RH
11	321-50	1	Screw-HH	23	114-7988	1	Guide-Cable
12	99-5239	1	Anchor-Cable	25	115-2884	1	Decal-Instruction
13	3256-1	1	Washer-Flat	26	49-2040	2	Screw-HWHTF
14	3296-73	2	Nut-Lock, NI	27	112-9972	2	Washer-Conical, Spring
15	108-8158	1	Cable-Traction	99	614249	3	Strap-Tie
16	115-2860	2	Quick Release ASM				



Battery and Harness Assembly

Ref.	Part Number	Qty.	Description
1	108-4844	1	Battery Box ASM
3	32144-32	1	Screw
4	700918	1	Key
5	46-5780	1	Starter Switch ASM
5:1	3254-5	1	Washer-Tooth, Internal
5:2	218-461	1	Nut-HH
6	108-9760	1	Mount-Switch
7	114-2625	1	Harness-Wire
7:1	99-6124	1	Fuse-40 Amp
8	114-1588	1	Charger-Battery
11	104-7953	1	Decal-Harness
12	614249	2	Strap-Tie
14	106-8397	1	Battery-12 Volt
15	107-3774	1	Foam-Battery, Top
23	3256-22	2	Washer-Flat



Bag Assembly

<i>Ref.</i>	<i>Part Number</i>	<i>Qty.</i>	<i>Description</i>
1	114-2664	1	Grass Bag ASM
2	114-2679-03	1	Frame-Bag

Attachments and Accessories

For 20095 Super Recycler Lawn Mower

Product Name	Model/Part
Bagging Blade	108-3759-03
Traction Assist Handle Kit.....	108-8120
Toro Walk Mower Cover.....	490-7462
Plain Walk Mower Cover.....	490-7463
Dethatcher Kit.....	59131

Notes:

Notes:

Notes:



Count on it.