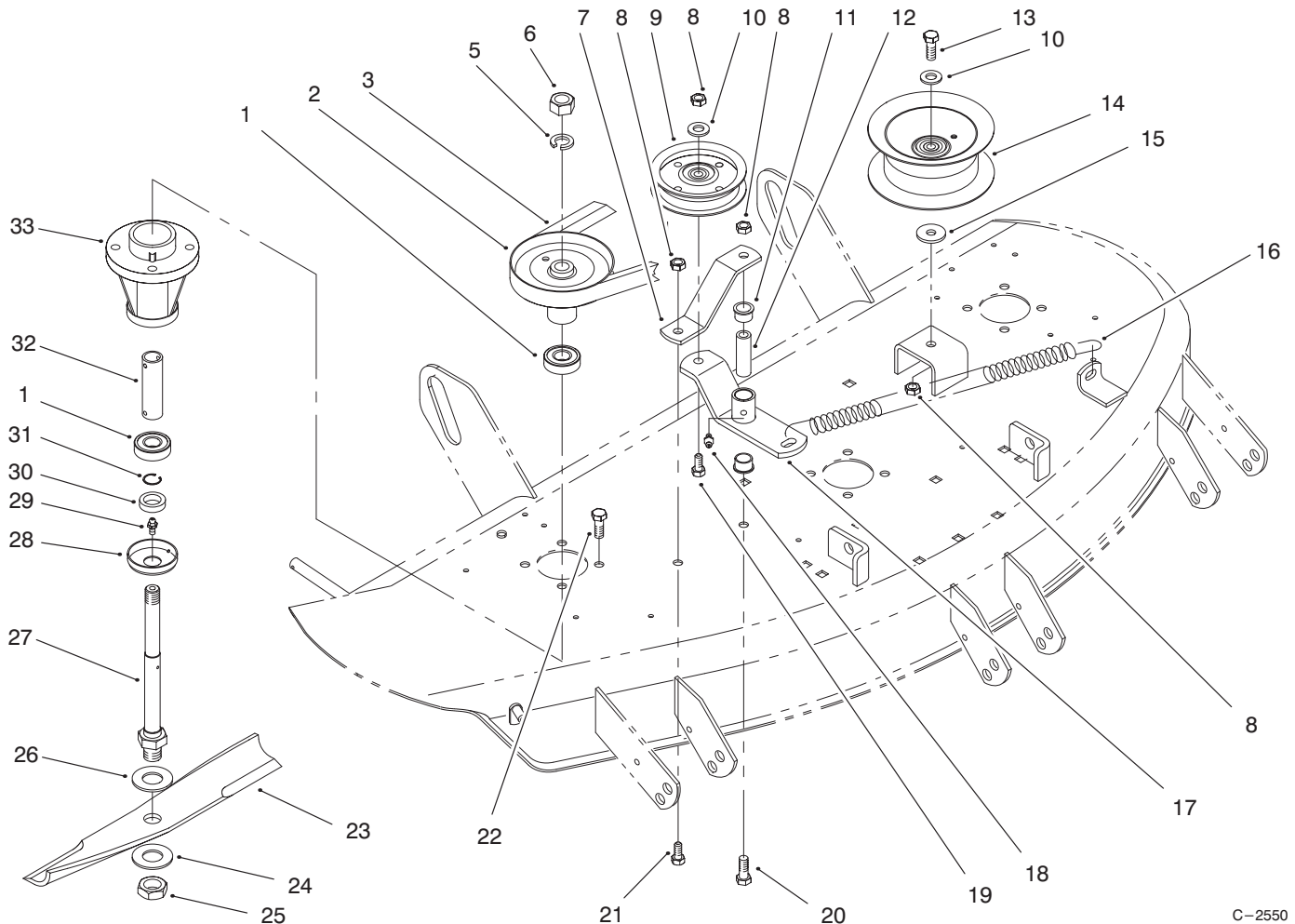




MODEL NO. 78232-6900001 & UP

**PARTS
CATALOG**

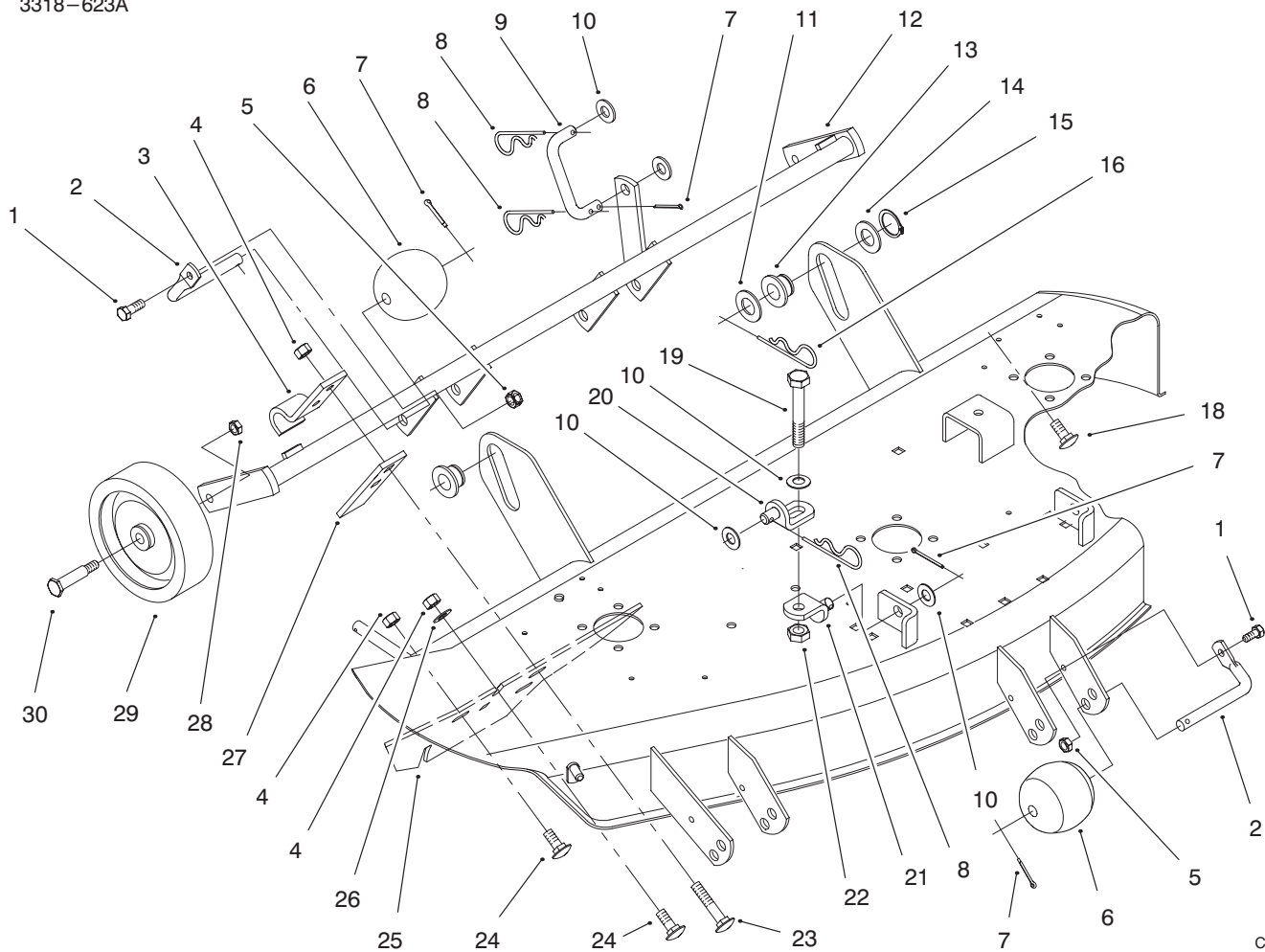
WHEEL HORSE®
42" Side Discharge Rotary Cutting Unit



C-2550

DECK ASSEMBLY

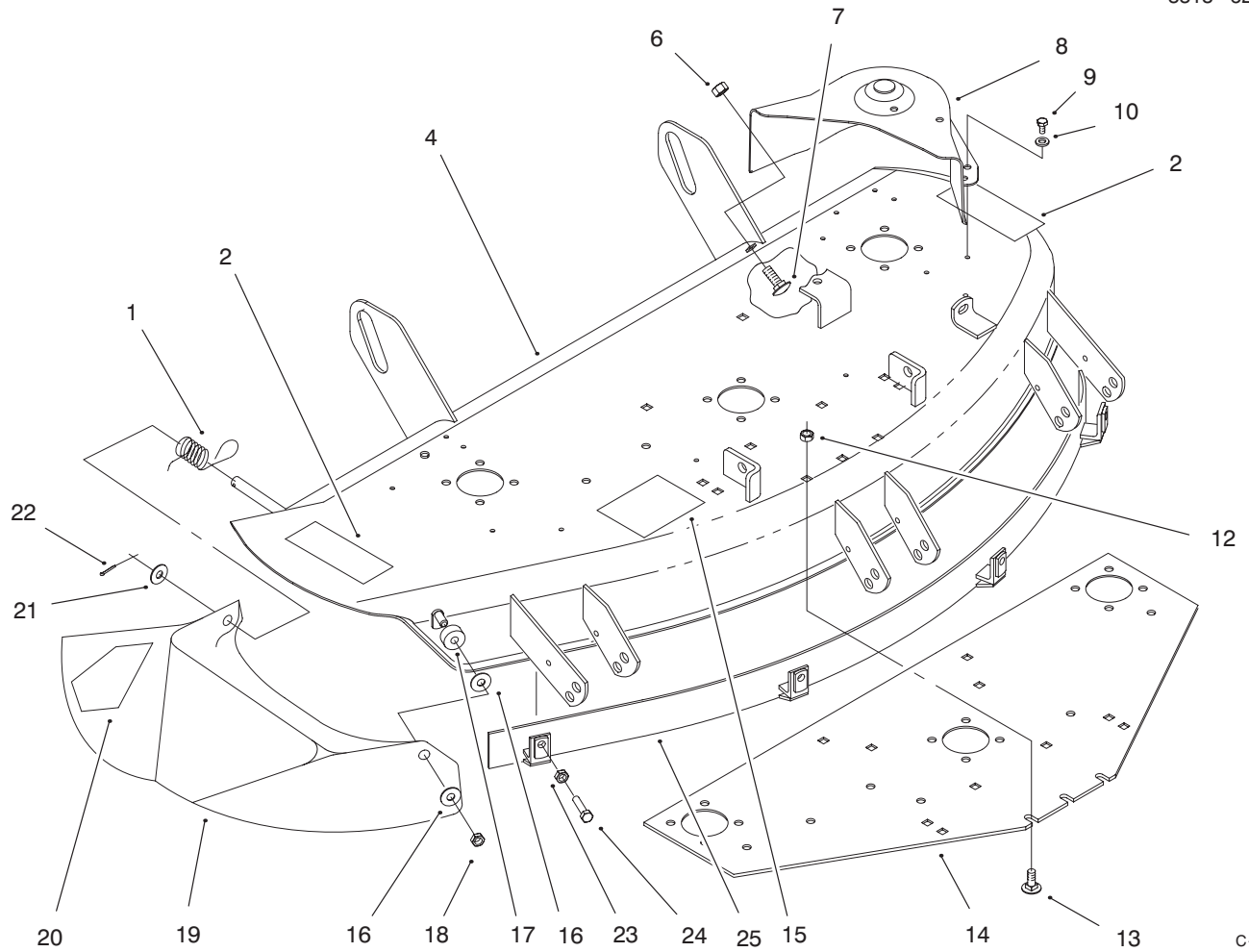
Ref. No.	Part No.	Description	Qty.	Ref. No.	Part No.	Description	Qty.
1	109966	Bearing	6	18	302-26	Fitting - Grease	1
2	92-7080	Pulley	3	19	323-9	Screw - Hex Hd.	1
3	92-6991	V-Belt	1	20	323-14	Screw	1
5	3253-8	Washer - Lock	3	21	323-6	Screw - Hex Hd.	1
6	3220-6	Nut - Jam	3	22	9080326	Screw - Hex Hd.	12
7	78-3140	Strap - Brace	1	23	106636	Kit - Blade (Set of 3)	1
8	3296-39	Nut - Hex Lock	4	24	3256-28	Washer - Flat	3
9	92-7084	Pulley - Idler	1	25	3220-7	Nut - Jam	3
10	3256-24	Washer - Flat	2	26	9202574	Washer - Flat	3
11	109859	Bushing - Flange	2	27	78-6710	Shaft - Spindle	3
12	79-2760	Spacer - Idler Pivot	1	28	106067	Cup - Spindle	3
13	323-11	Screw - Hex Hd.	1	29	302-5	Fitting - Grease	3
14	92-7082	Pulley - Idler	1	30	106068	Spacer	3
15	2844	Washer - Flat	1	31	32120-42	Ring - Int. Ret.	3
16	116172	Spring - Extension	1	32	116085	Tube	3
17	78-3150	Arm - Idler	1	33	114568	Housing - Spindle	3



C-2551

GAGE WHEEL & ROLLER ASSEMBLY

Ref. No.	Part No.	Description	Qty.	Ref. No.	Part No.	Description	Qty.
1	321-4	Screw - Hex Hd.	5	16	9335074	Cotter - Hairpin	2
2	118960	Shaft - Roller	5	18	3231-4	Screw - Carriage	2
3	110837	Bracket - Pivot	2	19	325-13	Screw - Hex Hd.	1
4	3296-39	Nut - Hex Lock	7	20	86-9240	Bracket - Lower Lift	1
5	3296-42	Nut - Hex Lock	5	21	86-9250	Bracket - Upper Lift	1
6	29-4820	Roller	5	22	3218-5	Nut - Jam	1
7	3272-21	Pin - Cotter	7	23	3231-5	Screw - Carriage	2
8	9335064	Hairpin	3	24	3231-22	Bolt - Carriage	3
9	78-6681	Link - Rear	1	25	79-2831	Plate - Wear	1
10	3256-26	Washer - Flat	5	26	3256-24	Washer - Flat	2
11	3256-28	Washer - Flat	2	27	110838	Bar	2
12	79-4140	Support - Wheel Gage	1	28	32146-2	Nut - Lock	2
13	78-7340	Roller - Lift	2	29	110506	Wheel - Gage	2
14	9202394	Washer	2	30	5188	Screw - Hex Socket Hd.	2
15	32151-29	Ring - Ext. Ret.	2				



C-2552

CHUTE, BELT COVER & SHIELD ASSEMBLY

Ref. No.	Part No.	Description	Qty.	Ref. No.	Part No.	Description	Qty.
1	93-1631	Spring	1	15	93-7325	Decal - Belt Inst.	1
2	93-7317	Decal - Danger	2	16	93-1633	Washer - Nylon	2
4	98-1799	Deck Assembly	1	17	116080	Bushing - Pivot	1
6	3296-39	Nut - Hex Lock	1	18	9152366	Nut - Jam Lock	1
7	3231-30	Bolt - Carriage	1	19	115994	Chute - Discharge	1
8	78-6891	Cover - Belt	2	20	93-7316	Decal - Danger	1
9	32144-4	Screw - Hex Hd.	6	21	3256-26	Washer - Flat	1
10	3256-22	Washer - Flat	6	22	3272-10	Pin - Cotter	1
12	3296-39	Nut - Hex Lock	4	23	3218-3	Nut - Hex Jam	4
13	3231-1	Screw - Carriage	4	24	9114454	Screw - Hex Hd.	4
14	78-8530	Plate - Deck	1	25	93-0544	Shield	1

TORO PART NUMBER INDEX

Part No.	Description	Pg. Ref. No. No.	Qty.	Part No.	Description	Pg. Ref. No. No.	Qty.
2844	Washer – Flat	"1"	15 1	93-1633	Washer – Nylon	"3"	16 2
5188	Screw – Hex Socket Hd.	"2"	30 2	93-7316	Decal – Danger	"3"	20 1
106067	Cup – Spindle	"1"	28 3	93-7317	Decal – Danger	"3"	2 2
106068	Spacer	"1"	30 3	93-7325	Decal – Belt Inst.	"3"	15 1
106636	Kit – Blade (Set of 3)	"1"	23 1	94-1577	Deck Assembly	"3"	4 1
109859	Bushing – Flange	"1"	11 2	302-5	Fitting – Grease	"1"	29 3
109966	Bearing	"1"	1 6	302-26	Fitting – Grease	"1"	18 1
110506	Wheel – Gage	"2"	29 2	321-4	Screw – Hex Hd.	"2"	1 5
110837	Bracket – Pivot	"2"	3 2	323-6	Screw – Hex Hd.	"1"	21 1
110838	Bar	"2"	27 2	323-9	Screw – Hex Hd.	"1"	19 1
114568	Housing – Spindle	"1"	33 3	323-11	Screw – Hex Hd.	"1"	13 1
115994	Chute – Discharge	"3"	19 1	323-14	Screw	"1"	20 1
116080	Bushing – Pivot	"3"	17 1	325-13	Screw – Hex Hd.	"2"	19 1
116085	Tube	"1"	32 3	3218-3	Nut – Hex Jam	"3"	23 4
116172	Spring – Extension	"1"	16 1	3218-5	Nut – Jam	"2"	22 1
118960	Shaft – Roller	"2"	2 5	3220-6	Nut – Jam	"1"	6 3
9080326	Screw – Hex Hd.	"1"	22 12	3220-7	Nut – Jam	"1"	25 3
9114454	Screw – Hex Hd.	"3"	24 4	3231-1	Screw – Carriage	"3"	13 4
9152366	Nut – Jam Lock	"3"	18 1	3231-4	Screw – Carriage	"2"	18 2
9202394	Washer	"2"	14 2	3231-5	Screw – Carriage	"2"	23 2
9202574	Washer – Flat	"1"	26 3	3231-22	Bolt – Carriage	"2"	24 3
9335064	Hairpin	"2"	8 3	3231-30	Bolt – Carriage	"3"	7 1
9335074	Cotter – Hairpin	"2"	16 2	3253-8	Washer – Lock	"1"	5 3
29-4820	Roller	"2"	6 5	3256-22	Washer – Flat	"3"	10 6
78-3140	Strap – Brace	"1"	7 1	3256-24	Washer – Flat	"1"	10 2
78-3150	Arm – Idler	"1"	17 1	3256-24	Washer – Flat	"2"	26 2
78-6240	V-Belt	"1"	3 1	3256-26	Washer – Flat	"2"	10 5
78-6681	Link – Rear	"2"	9 1	3256-26	Washer – Flat	"3"	21 1
78-6710	Shaft – Spindle	"1"	27 3	3256-28	Washer – Flat	"2"	11 2
78-6891	Cover – Belt	"3"	8 2	3256-28	Washer – Flat	"1"	24 3
78-7340	Roller – Lift	"2"	13 2	3272-10	Pin – Cotter	"3"	22 1
78-8530	Plate – Deck	"3"	14 1	3272-21	Pin – Cotter	"2"	7 7
79-2760	Spacer – Idler Pivot	"1"	12 1	3296-39	Nut – Hex Lock	"2"	4 7
79-2831	Plate – Wear	"2"	25 1	3296-39	Nut – Hex Lock	"3"	6 1
79-4140	Support – Wheel Gage	"2"	12 1	3296-39	Nut – Hex Lock	"1"	8 4
86-9240	Bracket – Lower Lift	"2"	20 1	3296-39	Nut – Hex Lock	"3"	12 4
86-9250	Bracket – Upper Lift	"2"	21 1	3296-42	Nut – Hex Lock	"2"	5 5
92-7080	Pulley	"1"	2 3	32120-42	Ring – Int. Ret.	"1"	31 3
92-7082	Pulley – Idler	"1"	14 1	32144-4	Screw – Hex Hd.	"3"	9 6
92-7084	Pulley – Idler	"1"	9 1	32146-2	Nut – Lock	"2"	28 2
93-0544	Shield	"3"	25 1	32151-29	Ring – Ext. Ret.	"2"	15 2
93-1631	Spring	"3"	1 1				

PROTOTYPE