



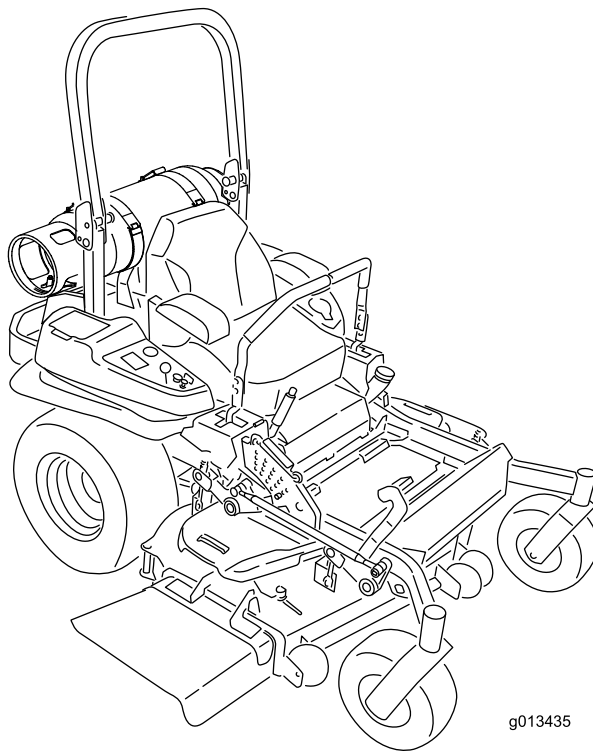
Count on it.

Operator's Manual

**Z Master[®] G3 Riding Mower
with 60in TURBO FORCE[®] Side Discharge
Mower**

Model No. 74975—Serial No. 31000001 and Up

Model No. 74977—Serial No. 31000001 and Up



g013435

WARNING

CALIFORNIA Proposition 65 Warning

The engine exhaust from this product contains chemicals known to the State of California to cause cancer, birth defects, or other reproductive harm.

This spark ignition system complies with Canadian ICES-002

Because in some areas there are local, state, or federal regulations requiring that a spark arrester be used on the engine of this machine, a spark arrester is available as an option. If you require a spark arrester, contact your Authorized Toro Dealer.

Genuine Toro spark arresters are approved by the USDA Forestry Service.

Note: It is a violation of California Public Resource Code Section 4442 to use or operate the engine on any forest-covered, brush-covered, or grass-covered land without a spark arrester muffler maintained in working order, or the engine constricted, equipped, and maintained for the prevention of fire. Other states or federal areas may have similar laws.

The enclosed *Engine Owner's Manual* is supplied for information regarding the US Environmental Protection Agency (EPA) and the California Emission Control Regulation of emission systems, maintenance, and warranty. Replacements may be ordered through the engine manufacturer.

Introduction

This rotary-blade, riding lawn mower is intended to be used by residential homeowners or professional, hired operators. It is designed primarily for cutting grass on well-maintained lawns on residential or commercial properties. It is not designed for cutting brush or for agricultural uses.

Read this information carefully to learn how to operate and maintain your product properly and to avoid injury and product damage. You are responsible for operating the product properly and safely.

You may contact Toro directly at www.Toro.com for product and accessory information, help finding a dealer, or to register your product.

Whenever you need service, genuine Toro parts, or additional information, contact an Authorized Service

Dealer or Toro Customer Service and have the model and serial numbers of your product ready. Figure 1 identifies the location of the model and serial numbers on the product. Write the numbers in the space provided.

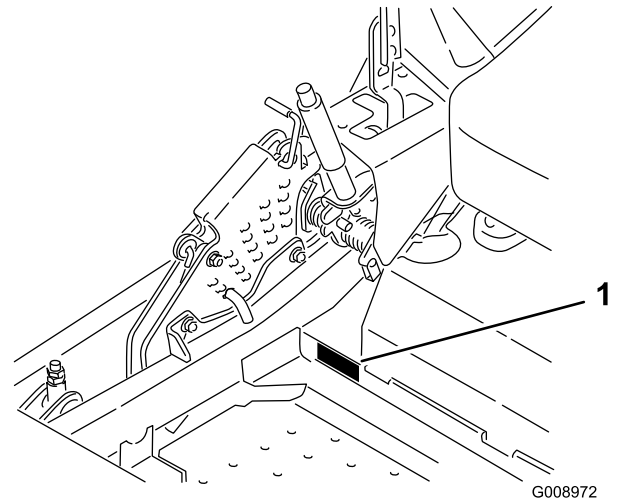


Figure 1

1. Model and serial number location

Model No. _____
Serial No. _____

This manual identifies potential hazards and has safety messages identified by the safety alert symbol (Figure 2), which signals a hazard that may cause serious injury or death if you do not follow the recommended precautions.



Figure 2

1. Safety alert symbol

This manual uses 2 other words to highlight information. **Important** calls attention to special mechanical information and **Note** emphasizes general information worthy of special attention.

Contents

Introduction.....	2
Safety	4
Safe Operating Practices	4
Slope Indicator.....	6

Safety and Instructional Decals	7	Adjusting the Caster Pivot Bearing	45
Product Overview	12	Using the Clutch Shim	45
Controls	12	Cooling System Maintenance	47
Specifications	13	Cleaning the Engine Screen and Engine Oil	
Operation	14	Cooler	47
Adding Fuel	14	Cleaning the Engine Cooling Fins and	
Checking the Engine Oil Level	16	Shrouds	47
Breaking In a New Machine	16	Check and Clean the Hydraulic Unit	
Using the Rollover Protection System		Shrouds	48
(ROPS)	17	Brake Maintenance	49
Think Safety First	17	Adjusting the Parking Brake	49
Operating the Parking Brake	18	Belt Maintenance	50
Operating the Mower Blade Control Switch		Inspecting the Belts	50
(PTO)	19	Replacing the Mower Belt	50
Operating the Throttle	19	Replacing the Hydraulic Pump Drive	
Operating the Ignition Switch	19	Belt	51
Starting and Stopping the Engine	20	Controls System Maintenance	52
The Safety Interlock System	21	Adjusting the Control Handle Position	52
Driving Forward or Backward	22	Adjusting the Motion Control Linkage	52
Stopping the Machine	23	Adjusting the Motion Control Damper	53
Adjusting the Height of Cut	23	Adjusting the Motion Control Neutral Lock	
Adjusting the Anti-Scalp Rollers	24	Pivot	53
Adjusting the Flow Baffle Cam Locks	25	Hydraulic System Maintenance	54
Positioning the Flow Baffle	25	Servicing the Hydraulic System	54
Positioning the Seat	26	Mower Deck Maintenance	56
Unlatching the Seat	27	Leveling the Mower Deck	56
Using the Drive Wheel Release Valves	27	Servicing the Cutting Blades	58
Using the Side Discharge	27	Removing the Mower Deck	61
Transporting Machines	27	Replacing the Grass Deflector	62
Loading Machines	28	Cleaning	63
Operating Tips	29	Cleaning Under the Mower	63
Maintenance	31	Waste Disposal	63
Recommended Maintenance Schedule(s)	31	Storage	63
Lubrication	32	Cleaning and Storage	63
Greasing and Lubrication	32	Troubleshooting	65
Where to Grease the Mower	32	Schematics	67
Lubricate Caster Wheel Hubs	33		
Engine Maintenance	34		
Servicing the Air Cleaner	34		
Servicing the Engine Oil	35		
Servicing the Spark Plug	38		
Check Spark Arrester (if equipped)	39		
Fuel System Maintenance	40		
Inspecting the LPG System	40		
Electrical System Maintenance	41		
Servicing the Battery	41		
Servicing the Fuses	43		
Drive System Maintenance	43		
Checking the Seat Belt	43		
Checking the Rollover Protection System			
(ROPS) Knobs	43		
Adjusting the Tracking	44		
Checking the Tire Pressure	44		
Checking the Wheel Hub Slotted Nut	45		

Safety

Improper use or maintenance by the operator or owner can result in injury. To reduce the potential for injury, comply with these safety instructions and always pay attention to the safety alert symbol, which means **CAUTION, WARNING, or DANGER**-“personal safety instruction.” Failure to comply with the instruction may result in personal injury or death.

This product is capable of amputating hands and feet and throwing objects. Always follow all safety instructions to avoid serious injury or death.

This product is designed for cutting and recycling grass or, when equipped with a grass bagger, for catching cut grass. Any use for purposes other than these could prove dangerous to user and bystanders.

Safe Operating Practices

The following instructions are from ANSI standard B71.4-2004.

Training

- Read the Operator’s Manual and other training material. If the operator(s) or mechanic(s) can not read English it is the owner’s responsibility to explain this material to them.
- Become familiar with the safe operation of the equipment, operator controls, and safety signs.
- All operators and mechanics should be trained. The owner is responsible for training the users.
- Never let children or untrained people operate or service the equipment. Local regulations may restrict the age of the operator.
- The owner/user can prevent and is responsible for accidents or injuries occurring to himself or herself, other people or property.

Preparation

- Evaluate the terrain to determine what accessories and attachments are needed to properly and safely perform the job. Only use accessories and attachments approved by the manufacturer.
- Wear appropriate clothing including hard hat, safety glasses and hearing protection. Long hair, loose clothing or jewelry may get tangled in moving parts.
- Inspect the area where the equipment is to be used and remove all objects such as rocks, toys and wire which can be thrown by the machine.

- Use extra care when handling LPG fuel (liquefied petroleum gas). The vapors are flammable and explosive.
 - Use only an approved tank
 - Never refuel the machine indoors.
 - LPG becomes flammable when it is mixed with air.
 - Never remove the tank with engine running. Allow engine to cool before refueling. Do not smoke.
- Check that operator’s presence controls, safety switches and shields are attached and functioning properly. Do not operate unless they are functioning properly.

Operation

- Lightning can cause severe injury or death. If lightning is seen or thunder is heard in the area, do not operate the machine; seek shelter.
- Never run an engine in an enclosed area.
- Only operate in good light, keeping away from holes and hidden hazards.
- Be sure all drives are in neutral and parking brake is engaged before starting engine. Start the engine only from the operator’s position. Use seat belts.
- Never raise mower with the blades running.
- Never operate without the PTO shield, or other guards securely in place. Be sure all interlocks are attached, adjusted properly, and functioning properly.
- Never operate with the discharge deflector raised, removed or altered, unless using a grass catcher.
- Do not change the engine governor setting or overspeed the engine.
- Stop on level ground, lower implements, disengage drives, engage parking brake, shut off engine before leaving the operator’s position for any reason including emptying the catchers or unclogging the chute.
- Stop equipment and inspect blades after striking objects or if an abnormal vibration occurs. Make necessary repairs before resuming operations.
- Keep hands and feet away from the cutting units.
- Never carry passengers and keep pets and bystanders away.
- Be alert, slow down and use caution when making turns. Look behind and to the side before changing directions.
- Slow down and use caution when crossing roads and sidewalks. Stop blades if not mowing.

- Be aware of the mower discharge direction and do not point it at anyone.
- Do not operate the mower under the influence of alcohol or drugs.
- Use extreme care when loading or unloading the machine into a trailer or truck.
- Use care when approaching blind corners, shrubs, trees, or other objects that may obscure vision.

Slope Operation

- Do not mow slopes greater than 15 degrees.
- Do not mow near drop-offs, ditches, steep banks or water. Wheels dropping over edges can cause rollovers, which may result in serious injury, death or drowning.
- Do not mow slopes when grass is wet. Slippery conditions reduce traction and could cause sliding and loss of control.
- Do not make sudden turns or rapid speed changes.
- Use a walk behind mower and/or a hand trimmer near drop-offs, ditches, steep banks or water.
- Reduce speed and use extreme caution on slopes.
- Remove or mark obstacles such as rocks, tree limbs, etc. from the mowing area. Tall grass can hide obstacles.
- Watch for ditches, holes, rocks, dips, and rises that change the operating angle, as rough terrain could overturn the machine.
- Avoid sudden starts when mowing uphill because the mower may tip backwards.
- Be aware that operating on wet grass, across steep slopes, or down hill may cause the mower to lose traction. Loss of traction to the drive wheels may result in sliding and a loss of braking and steering.
- Always avoid sudden starting or stopping on a slope. If tires lose traction, disengage the blades and proceed slowly off the slope.
- Follow the manufacturer's recommendations for wheel weights or counterweights to improve stability.
- Use extreme care with grass catchers or other attachments. These can change the stability of the machine and cause loss of control.

Using the Rollover Protection System (ROPS)

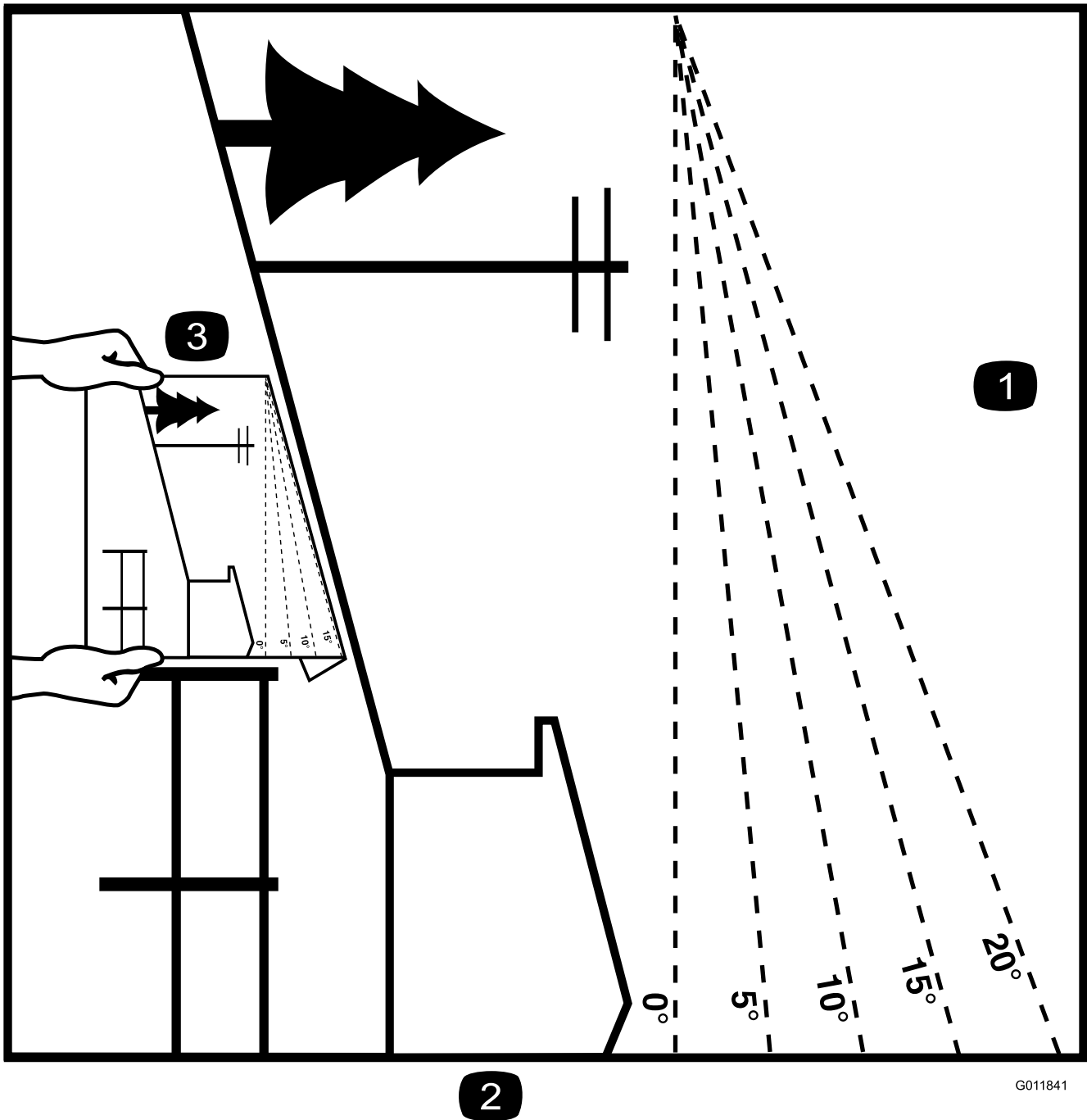
- Keep the roll bar in the raised and locked position and use the seat belt when operating the machine.
- Be certain that the seat belt can be released quickly in the event of an emergency.

- Be aware there is no rollover protection when the roll bar is down.
- Check the area to be mowed and never fold the ROPS in areas where there are slopes, drop offs or water.
- Lower the rollbar only when absolutely necessary. Do not wear the seat belt with the roll bar folded down.
- Check carefully for overhead clearances (i.e. branches, doorways, electrical wires) before driving under any objects and do not contact them.

Maintenance and storage

- Disengage drives, lower implement, set parking brake, stop engine and remove key or disconnect spark plug wire. Wait for all movement to stop before adjusting, cleaning or repairing.
- Clean grass and debris from cutting units, drives, mufflers, and engine to help prevent fires. Clean up oil or fuel spillage.
- Let engine cool before storing and do not store near flame.
- Shut off fuel while storing or transporting. Do not store fuel near flames or drain indoors.
- Park machine on level ground. Never allow untrained personnel to service machine.
- Use jack stands to support components when required.
- Carefully release pressure from components with stored energy.
- Disconnect battery or remove spark plug wire before making any repairs. Disconnect the negative terminal first and the positive last. Reconnect positive first and negative last.
- Use care when checking blades. Wrap the blade(s) or wear gloves, and use caution when servicing them. Only replace damaged blades; never straighten or weld them.
- Keep hands and feet away from moving parts. If possible, do not make adjustments with the engine running.
- Charge batteries in an open well ventilated area, away from spark and flames. Unplug charger before connecting or disconnecting from battery. Wear protective clothing and use insulated tools.
- Keep all parts in good working condition and all hardware tightened. Replace all worn or damaged decals.
- Use only Toro approved attachments. Warranty may be voided if used with unapproved attachments.

Slope Indicator



2

G011841

Figure 3

This page may be copied for personal use.

1. The maximum slope you can safely operate the machine on is **15 degrees**. Use the slope chart to determine the degree of slope of hills before operating. **Do not operate this machine on a slope greater than 15 degrees**. Fold along the appropriate line to match the recommended slope.
2. Align this edge with a vertical surface, a tree, building, fence pole, etc.
3. Example of how to compare slope with folded edge.

Safety and Instructional Decals



Safety decals and instructions are easily visible to the operator and are located near any area of potential danger. Replace any decal that is damaged or lost.



1-403005



68-8340



54-9220



98-5954

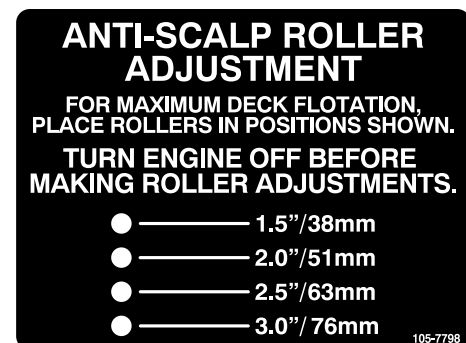


103-2076



1
58-6520

1. Grease



105-7798



66-1340

⚠ WARNING



TO AVOID INJURY OR DEATH FROM ROLLOVER:
 Keep roll bar in the raised and locked position and use seat belt.

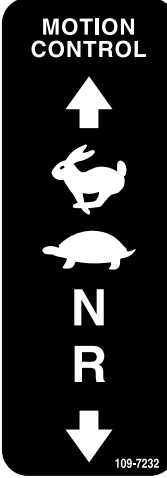


THERE IS NO ROLL OVER PROTECTION WHEN THE ROLL BAR IS DOWN.
 Lower the roll bar only when absolutely necessary.
 Do not wear seat belt when the roll bar is down.
 Drive slowly and carefully.
 Raise the roll bar as soon as clearance permits.
 Read and follow slope operation instructions and warnings.

107-2102

107-2102

MOTION CONTROL



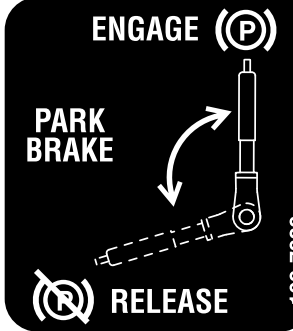
109-7232

109-7232

1. Fast
2. Slow

3. Neutral
4. Reverse

ENGAGE (P)



PARK BRAKE

RELEASE

109-7929

109-7929

⚠ WARNING

- Operating on wet grass or steep slopes can cause sliding and loss of control.
- Wheels dropping over edges can cause rollovers.
- Going up or backing down steep slopes or ramps can result in backward rollovers.

To avoid loss of control and possibility of rollover resulting in serious injury or death:

- Do not operate near drop-offs or water.
- Do not operate on slopes or ramps greater than 15°.
- Do not use split ramps; use full width ramps to load a unit for transport.
- Reduce speed and use extreme caution on slopes or ramps.
- Avoid sudden turns and rapid speed changes.

There is no rollover protection when the roll bar is down. Always keep roll bar in the raised and locked position and use seat belt. Read and follow rollover protection instructions and warnings.



107-2112

107-2112

⚠ DANGER

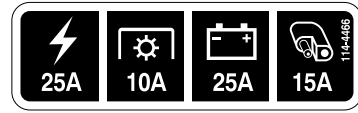
LPG FUEL IS EXTREMELY FLAMMABLE AND VAPORS ARE EXPLOSIVE.

To avoid serious injury or death:

- Do NOT smoke or replace tank(s) around sources of fuel ignition.
- Close fuel valve when mower is not in use, in storage, or transporting.
- ONLY use LPG System Manufacturer approved LPG tank(s), fittings, and hoses that were designed for your mower.
- Avoid contact with LPG fuel. Escaping vapors and liquids freezes skin on contact.
- Do NOT attempt to repair or modify the tank or its components. Contact trained and qualified personnel.
- NOTE: This is provided ONLY as a guide, consult the Operator's Manual and NFPA 58: Liquefied Petroleum Gas Code for additional safety information.

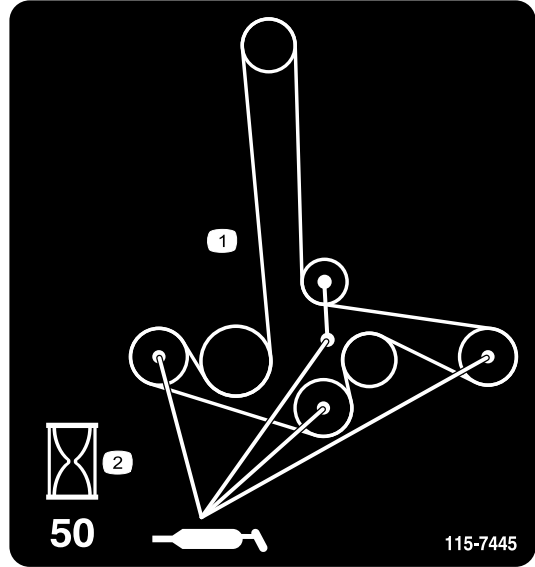
109-9875

109-9875



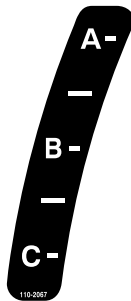
114-4466

1. Main, 25A
2. PTO, 10A
3. Charge, 25A
4. Auxiliary, 15A



115-7445

1. Grease pulleys and spindles
2. Maintenance interval—50 hours



110-2067



116-0157

ADJUSTABLE BAFFLE
BAFLE AJUSTABLE

A-	<ul style="list-style-type: none"> • Short, light grass • Dry conditions • Maximum dispersion 		<ul style="list-style-type: none"> • <i>Césped corto y ligero</i> • <i>Condiciones secas</i> • <i>Maxima dispersion</i>
B-	<ul style="list-style-type: none"> • Bagging setting 		<ul style="list-style-type: none"> • <i>Posicion para usar con bolsa</i>
C-	<ul style="list-style-type: none"> • Tall, dense grass • Wet conditions • Maximum ground speed 		<ul style="list-style-type: none"> • <i>Césped alto y denso</i> • <i>Condiciones mojadas</i> • <i>Maxima velocidad</i>

110-2068

110-2068

1. Read the Operator's Manual.

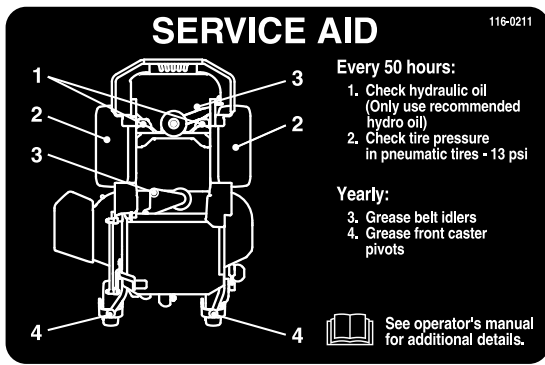
⚠ WARNING

ROTATING BELT DRIVE
Can cause serious injury

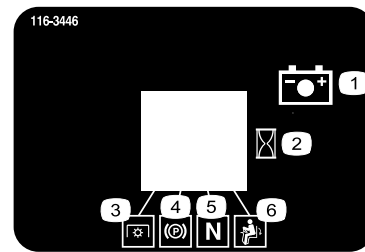
Stop engine and wait until all moving parts have stopped before reaching underneath.

116-0205

116-0205

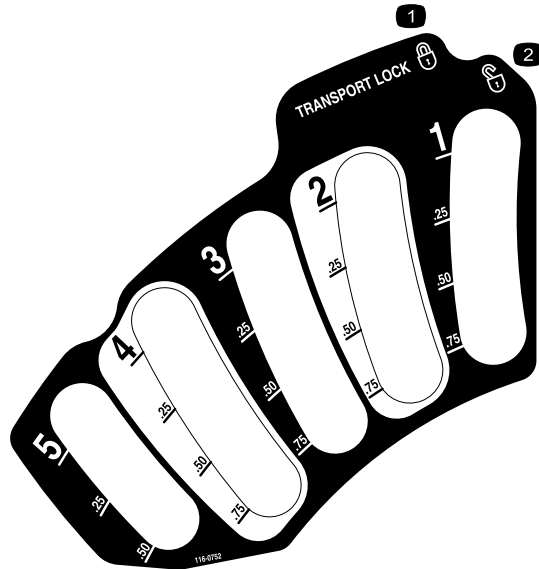


116-0211



116-3446

1. Battery
2. Hour meter
3. PTO
4. Parking brake
5. Neutral
6. Operator presence switch

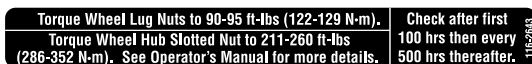


116-0752

1. Locked
2. Unlocked



116-1714



116-2643



Battery Symbols

Some or all of these symbols are on your battery

1. Explosion hazard
2. No fire, open flame, or smoking.
3. Caustic liquid/chemical burn hazard
4. Wear eye protection
5. Read the *Operator's Manual*.
6. Keep bystanders a safe distance from the battery.
7. Wear eye protection; explosive gases can cause blindness and other injuries
8. Battery acid can cause blindness or severe burns.
9. Flush eyes immediately with water and get medical help fast.
10. Contains lead; do not discard.



Manufacturer's Mark

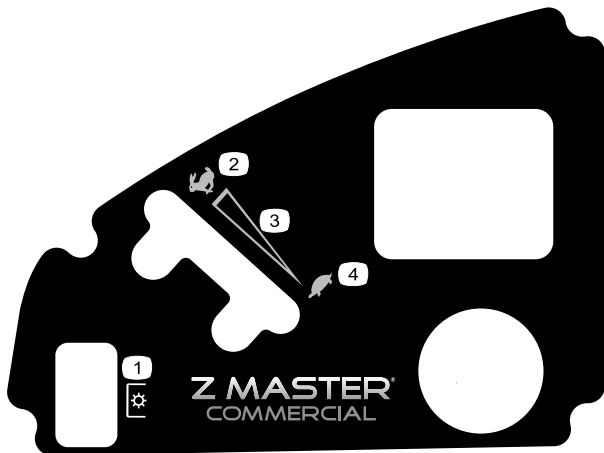
1. Indicates the blade is identified as a part from the original machine manufacturer.

IMPORTANT: LPG Fuel Tank Replacement Procedure

109-9906

1. Stop the machine on a level surface, disengage PTO, and engage parking brake.
2. Close the fuel valve(s) on ALL tanks.
3. Run the engine until it stops and remove key.
4. Disconnect LPG fuel hose(s), unlatch cylinder bracket(s), and remove tank(s).
5. Check valve and fittings for debris or damaged o-rings.
6. Only use replacement tank(s) that are free of dents or damage and match size and type required on tank specification decal.
7. Install new tank(s) per mounting instructions:
Horizontal mounting: Align center hole on tank collar over mounting pin or tab.
Vertical mounting: Align notch in tank base over mounting pin or tab.
8. Latch bracket(s) and ensure tank(s) is securely fastened to mower.
9. Re-connect fuel hose(s).
10. Slowly open fuel valve(s) to equalize pressure.
11. Check for leaks.

109-9906



119-4233

1. Power Take-off (PTO)
2. Fast
3. Continuous variable setting
4. Slow

<p>⚠ WARNING</p> <p>To avoid serious injury or death:</p> <ul style="list-style-type: none">• Read and understand the operator's manual before using this machine.• Do NOT operate unless trained to safely use this machine.• Do NOT operate under the influence of alcohol or drugs.• Hearing protection is recommended.• Do NOT operate without shields, guards, and safety devices in place and working.• Check the function of the operator presence controls (OPC) safety system daily. Do NOT defeat the OPC system.• Stop engine and remove key before adjusting, servicing or cleaning machine and attachments.	<p>⚠ DANGER</p> <p>To avoid serious injury or death:</p> <ul style="list-style-type: none">• Avoid blades unless engine and blades are stopped. <p>109-7069</p>	<p>⚠ WARNING</p> <p>To avoid serious injury or death:</p> <ul style="list-style-type: none">• Pick up objects that could be thrown by the blades.• Do NOT mow when people and pets are in the area.• Do NOT carry passengers. Look behind and to the side before changing directions.• Before leaving the operator's position:<ul style="list-style-type: none">- Disengage PTO.- Move drive levers out to neutral lock position.- Engage park brake.- Stop engine.
---	--	--

109-7069

Product Overview

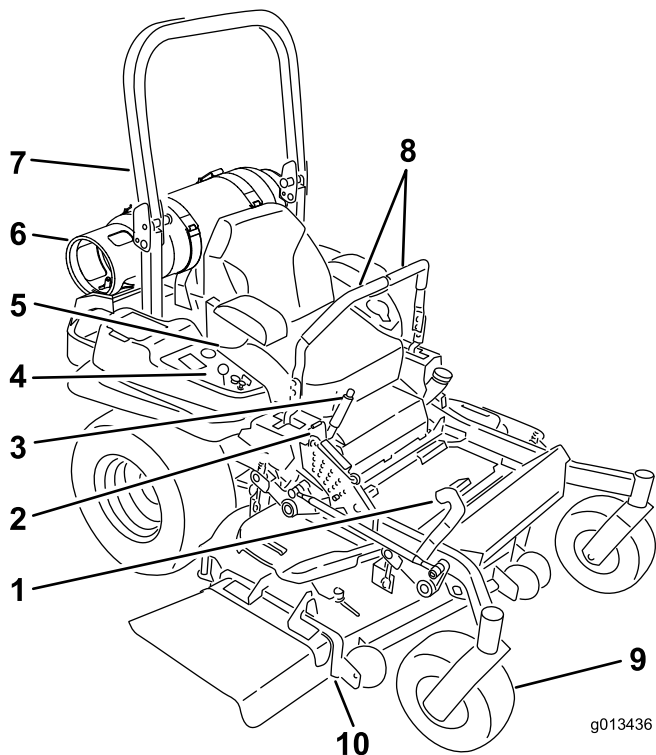


Figure 4

- | | |
|----------------------------------|--------------------------|
| 1. Height-of-cut deck lift pedal | 6. Fuel tank |
| 2. Transport lock | 7. Roll bar |
| 3. Parking brake lever | 8. Motion control levers |
| 4. Controls | 9. Caster wheel |
| 5. Seat belt | 10. Mower deck |

Controls

Become familiar with all the controls before you start the engine and operate the machine (Figure 4 and Figure 5).

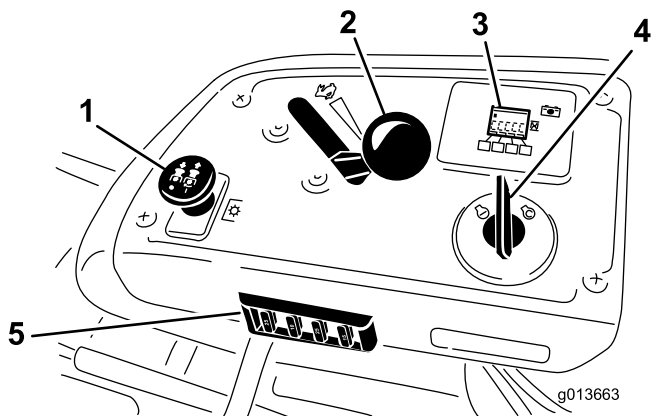


Figure 5

- | | |
|--|--------------------|
| 1. PTO Switch | 4. Ignition switch |
| 2. Throttle control | 5. Fuses |
| 3. Hour meter/Safety interlock display | |

Hour Meter

The hour meter records the number of hours the engine has operated. It operates when the engine is running. Use these times for scheduling regular maintenance (Figure 6).

Fuel Gauge

Located on the LPG fuel tank.

This gauge monitors the amount of liquid LPG in the fuel tank.

Safety Pressure Relief Valve

Located on the LPG fuel tank.

The safety pressure relief valve relieves the excess pressure in the LPG tank.

Important: This valve has a protective plastic cap that should **NEVER** be removed. If the cap is damaged or missing, contact trained and qualified personnel immediately.

LPG Cylinder Brackets

The brackets are located on the engine deck.

The LPG cylinder brackets are used to fasten the removable LPG tank to the mower.

Safety Interlock Indicators

There are symbols on the hour meter and the indicate with a black triangle that the interlock component is in the correct position (Figure 6).

Battery Indicator Light

If the ignition key is turned to the **On** position for a few seconds, the battery voltage will be displayed in the area where the hours are normally displayed.

The battery light turns on when the ignition is turned on and when the charge is below the correct operating level (Figure 6).

enhance and expand its capabilities. Contact your Authorized Service Dealer or Distributor or go to www.Toro.com for a list of all approved attachments and accessories.

Specifications

Note: Specifications and design are subject to change without notice.

Width:

	60 inch Deck	72 inch Deck
Without Deck	53.0 inches (134.6 cm)	59.1 inches (150.1 cm)
Deflector Up	61.73 inches (156.8 cm)	73.61 inches (187 cm)
Deflector Down	75.67 inches (192.2 cm)	87.55 inches (222.4 cm)

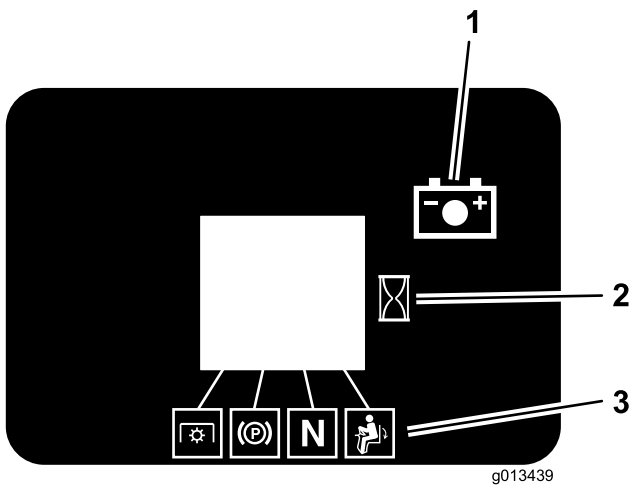


Figure 6

1. Battery light
2. Hour meter
3. Safety interlock symbols

Throttle Control

The throttle control is variable between **Fast** and **Slow**.

Blade Control Switch (PTO)

The blade control switch (PTO) is used to engage the electric clutch and drive the mower blades. Pull the switch up to engage the blades and release. To disengage the blades, push the blade control switch (PTO) down or move a motion control lever into the neutral lock position.

Ignition Switch

This switch is used to start the mower engine and has three positions: **Start**, **Run** and **Off**.

Motion Control Levers

The motion control levers are used to drive the machine forward, reverse, and turn either direction.

Neutral Lock Position

The neutral lock position is used with the safety interlock system to engage and to determine neutral position.

Fuel Shut-off Valve

Close the fuel shut-off valve on the cylinder tank when transporting or storing the mower.

Attachments/Accessories

A selection of Toro approved attachments and accessories are available for use with the machine to

Length:

	60 inch Deck	72 inch Deck
Roll Bar - Up	83.1 inches (211.1 cm)	86.1 inches (218.7 cm)
Roll Bar - Down	84.8 inches (215.4 cm)	87.8 inches (223.0 cm)

Height:

Roll Bar - Up	Roll Bar - Down
70.5 inches (179.1 cm)	46.8 inches (118.9 cm)

Weight:

	60 inch Deck	72 inch Deck
29HP Kawasaki Units	1255 lb (569 kg)	1350 lb (612 kg)

Tank Type and Refilling

Note: The LPG tank used on this mower is a special tank with internal baffles designed for this application.

- Horizontal Tank Specifications:
 - Tank Material: Aluminum
 - Capacity: 43.5 lb
 - Disconnect coupling: Left hand ACME threaded
 - Fuel Withdrawal: Vapor
 - Fuel Shut-Off Valve: Rotate clockwise to close.
 - Type of fuel: HD5 grade propane
- New tanks must be properly filled by trained and qualified personnel.
- Only use tanks recommended by Toro. Failure to do so will result in improper operation of the fuel system.

Note: Use of a “forklift” type liquid withdrawal tank will result in icing or freezing of the LPG regulator and prevent the engine from operating. This may also result in permanent fuel system damage and the release of highly flammable propane liquid or vapor.

Operation

Note: Determine the left and right sides of the machine from the normal operating position.

Adding Fuel

What is LPG? LPG stands for liquefied petroleum gas and is more commonly called propane. LPG is a liquid fuel that is stored in a tank under pressure. Before the liquid leaves the tank, it is converted into a vapor. Since LPG is stored as both liquid and gas, it may leak from joints or connections that are not sealed properly. LPG becomes flammable when it is mixed with air.

The LPG information in this Operator’s manual is provided only as a guide. Consult the NFPA 58: Liquefied Petroleum Gas Code, 2008 Edition for additional safety information. This National Fire Protection Association (NFPA) code pertains to the handling, storing, transporting, and usage of LPG.

Type of fuel: HD5 grade propane

▲ CAUTION

Under no circumstances should propane tanks filled beyond 80% capacity be used in service.

The use of overfilled tanks may result in the release of highly concentrated and extremely flammable liquid propane. Refer to the Safety section.

⚠ DANGER

LPG fuel is extremely flammable and vapors are explosive.

A fire or explosion from LPG fuel can burn you, others, and cause property damage.

- Never smoke around tank(s) and stay away from an open flame or where fumes may be ignited by a spark.
- Extinguish all sources of spark or flame when approaching LPG tanks or mowers. The hazard increases for enclosed trailers or storage locations where vapor leakage may occur and collect.
- LPG is heavier than air and may accumulate in low lying areas, such as ditches, drains, or pits.
- LPG tank(s) should be filled by trained and qualified personnel **ONLY**.
- Never tamper with or repair the tank(s); contact trained and qualified personnel.
- Do Not change the tank(s) when the engine is running.
- Before disconnecting the hose(s), purge all LPG vapors from the system, by closing the fuel valve(s) on ALL tanks and allowing the engine to run until it stops.
- Store the tank(s) away from heat, sparks, or open flames.
- Do Not operate without entire exhaust system in place and in proper working condition.

⚠ DANGER

LPG vapors and liquid escaping from the tank may cause serious injury or death. Vapors or liquid may cause suffocation, freezing of tissue, or frostbite.

- Store and service the mower in a well ventilated area.
- An approved LPG detector installed in trailers and storage areas is recommended.
- LPG is heavier than air and may accumulate in low lying areas, such as ditches, drains, or pits.
- Avoid breathing of vapors.
- Keep away from vent valve.
- Keep away from eyes and skin.
- Contact trained and qualified personnel if tank shows signs of frosted areas, makes a hissing sound, or emits a foul odor.
- Obtain immediate medical attention if contact occurs with vapors or liquid.

⚠ DANGER

LPG fuel is extremely flammable and vapors are explosive.

- In case of fire take the following steps:
 1. If you can safely do so, stop the flow of gas as quickly as possible. Never put out flame unless gas can be shut off.
 2. Notify the Fire Department and clear immediate area of all people.
 3. When gas flow is stopped, put out the fire. Usually when flow of gas is cutoff, fire will automatically stop.
 4. If gas flow cannot be immediately stopped, direct water on tanks to keep them cool, but Do Not put out fire.
- Storage locations and trailers should be equipped with at least one approved portable fire extinguisher having a minimum capacity of 18 lb (8.2 kg) dry chemical with a B:C rating. Do Not use Carbon Tetrachloride extinguishers (Pyrene etc.).

Changing the LPG Tank

Change the LPG tank outdoors in a well ventilated area.

Important: Only hand tighten tank connection fitting. Over tightening by the use of tools may cause damage. If hand tightening does not stop a leak, contact trained and qualified personnel immediately.

1. Stop the machine on level ground, disengage the blade control switch (PTO), move the motion control levers to the neutral locked position and set the parking brake.
2. Wait for all moving parts for the mower deck to stop before leaving the operating position.
3. With the engine running, close the fuel valve on the tank.
4. Run the engine until it stops. This purges all vapors from the hose.
5. Remove the key.
6. Carefully disconnect the LPG fuel hose.

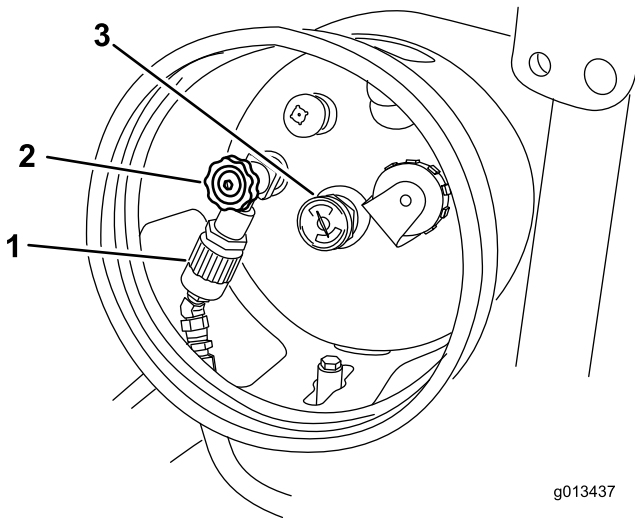


Figure 7

1. LPG fuel hose connection fitting
2. Tank valve
3. Fuel gauge

7. Unlatch the cylinder brackets and remove the tank.

⚠ WARNING

Fuel system components are under high pressure. The use of damaged or improper components can cause system failure, fuel leakage, and possible explosion, which may result in serious injury or death.

- Do Not attempt to repair or modify the valves, fittings, or other tank components.
 - ONLY use the Toro approved LPG tank, fittings, and hoses that were designed for your mower.
8. Inspect the filled tank valve and fitting openings for dirt, debris, or damage.
 9. Inspect the tank hose connection fitting for damaged or missing o-rings.
 10. Make sure the replacement tank type and size match the tank specification decal.
 11. Align the center hole over the mounting pin that points straight up on the mower as shown in Figure 8.

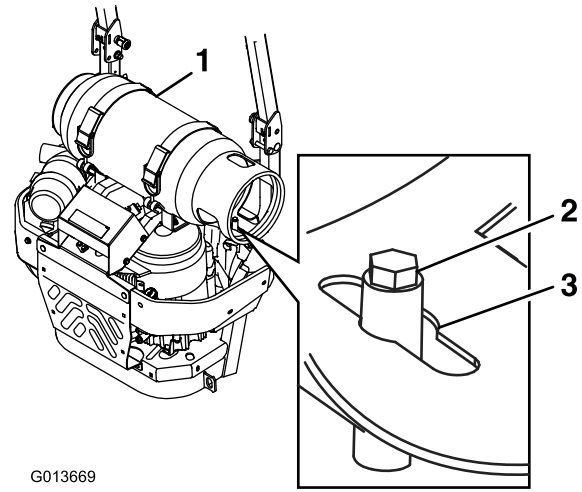


Figure 8

1. Cylinder brackets
2. Mounting pin
3. Center hole

Important: Valves and gauges may not function properly if the LPG tank is not installed correctly.

12. Latch the cylinder brackets and make sure the tank is securely fastened to the mower.
13. Carefully connect the fuel hose. Make sure the hose is not kinked.
14. Slowly open the fuel valve to equalize the pressure in the tank. If the fuel valve is opened too quickly, the pressure relief valve is equipped with a back pressure check valve that will shut off the fuel supply. If this happens, close the fuel valve completely and wait five seconds. Slowly open the fuel valve.
15. Check for leaks as described in the **Inspection** section.

Checking the Engine Oil Level

Before you start the engine and use the machine, check the oil level in the engine crankcase; refer to Checking the Engine Oil Level.

Breaking In a New Machine

New engines take time to develop full power. Mower decks and drive systems have higher friction when new, placing additional load on the engine. Allow 40 to 50 hours of break-in time for new machines to develop full power and best performance.

Using the Rollover Protection System (ROPS)

⚠ WARNING

To avoid injury or death from rollover: keep the roll bar in the raised locked position and use the seat belt.

Ensure that the rear part of the seat is secured with the seat latch.

⚠ WARNING

There is no rollover protection when the roll bar is in the down position.

- Lower the roll bar only when absolutely necessary.
- Do not wear the seat belt when the roll bar is in the down position.
- Drive slowly and carefully.
- Raise the roll bar as soon as clearance permits.
- Check carefully for overhead clearances (i.e. branches, doorways, electrical wires) before driving under any objects and do not contact them.

Important: Lower the roll bar only when absolutely necessary.

Important: Ensure that the rear part of the seat is secured with the seat latch.

1. To lower the roll bar, apply forward pressure to the upper part of the roll bar.
2. Pull both knobs out and rotate them 90° so they are not engaged (Figure 9).
3. Lower the roll bar to the down position (Figure 9).

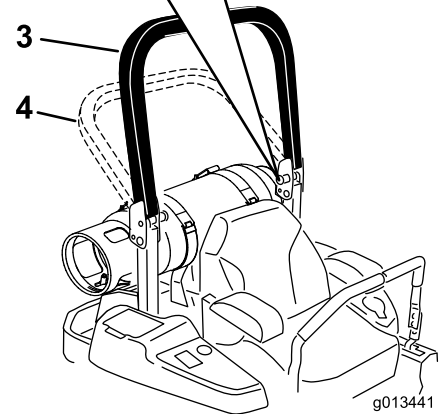
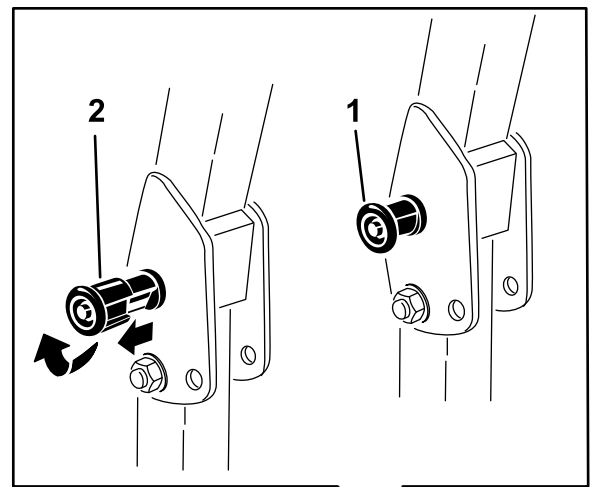


Figure 9

1. ROPS knob
2. Pull ROPS knob out and rotate 90 degrees
3. Roll bar in the upright position
4. Roll bar in the folded position

4. To raise the roll bar, raise the roll bar to the operate position, rotate the knobs so they move partially into the grooves (Figure 9).
5. Raise the roll bar to the full upright position while pushing on the upper roll bar and the pins will snap into position when the holes align with the pins (Figure 9). Push on the roll bar and ensure that both pins are engaged.

Important: Always use the seat belt with the roll bar in the raised position.

Think Safety First

Please read all safety instructions and symbols in the safety section. Knowing this information could help you or bystanders avoid injury.

⚠ DANGER

Operating on wet grass or steep slopes can cause sliding and loss of control.

Wheels dropping over edges can cause rollovers, which may result in serious injury, death or drowning.

There is no rollover protection when the roll bar is down.

Always keep the roll bar in the raised and locked position and use the seat belt.

Read and follow the rollover protection instructions and warnings.

To avoid loss of control and possibility of rollover:

- Do not operate near drop-offs or near water.
- Do not operate on slopes greater than 15 degrees.
- Reduce speed and use extreme caution on slopes.
- Avoid sudden turns or rapid speed changes.

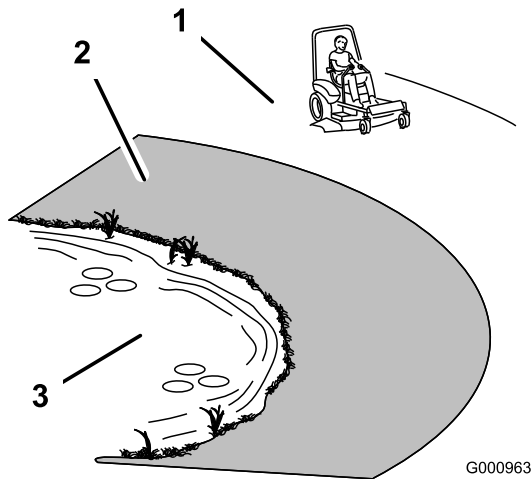


Figure 10

1. Safe Zone-use the Z Master here on slopes less than 15 degrees or flat areas.
2. Danger Zone- use a walk behind mower and/or a hand trimmer on slopes greater than 15 degrees, near drop-offs and water.
3. Water

⚠ CAUTION

This machine produces sound levels in excess of 85 dBA at the operators ear and can cause hearing loss through extended periods of exposure.

Wear hearing protection when operating this machine.

The use of protective equipment for eyes, ears, feet and head is recommended.

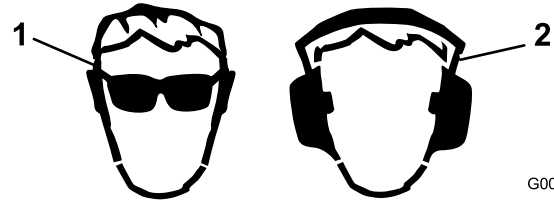


Figure 11

1. Wear safety glasses
2. Wear hearing protection

Operating the Parking Brake

Always set the parking brake when you stop the machine or leave it unattended.

Setting the Parking Brake

⚠ WARNING

Parking brake may not hold machine parked on a slope and could cause personal injury or property damage.

Do not park on slopes unless wheels are chocked or blocked

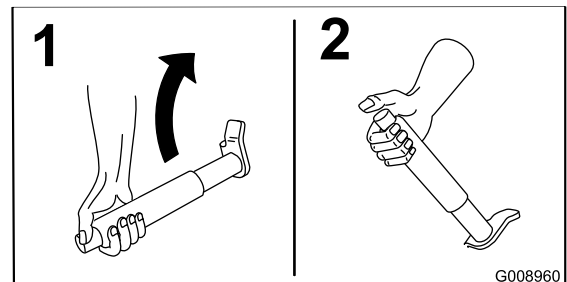


Figure 12

Releasing the Parking Brake

Push in the release button before pushing down.

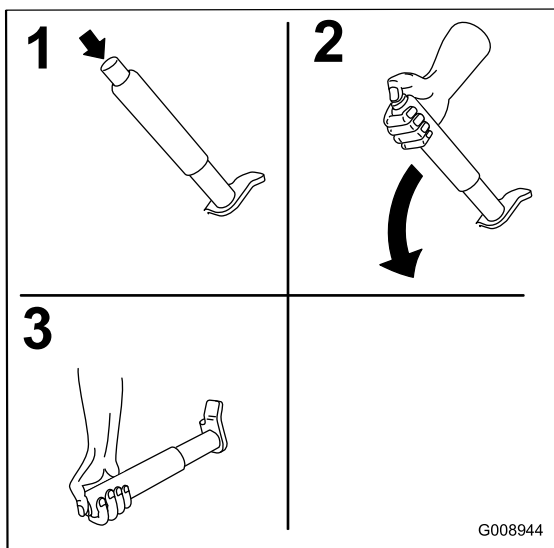


Figure 13

Operating the Mower Blade Control Switch (PTO)

The blade control switch (PTO) starts and stops the mower blades and any powered attachments.

Engaging the Blade Control Switch (PTO)

Note: Engaging the blade control switch (PTO) with the throttle position at half or less will cause excessive wear to the drive belts.

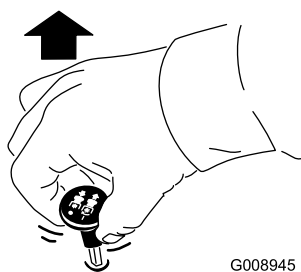


Figure 14

Disengaging the Blade Control Switch (PTO)

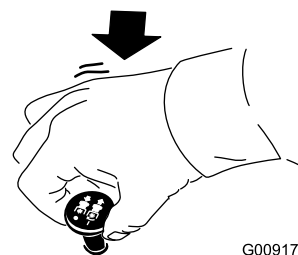


Figure 15

Operating the Throttle

The throttle control can be moved between **Fast** and **Slow** positions (Figure 16).

Always use the fast position when turning on the mower deck with the blade control switch (PTO).

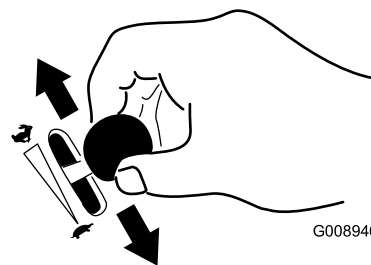


Figure 16

Operating the Ignition Switch

1. Turn the ignition key to the Start position (Figure 17). When the engine starts, release the key.

Important: Do not engage starter for more than 5 seconds at a time. If the engine fails to start allow a 15 second cool-down period between attempts. Failure to follow these instructions can burn out the starter motor.

Note: Additional starting cycles may be required when starting the engine for the first time after the fuel system has been without fuel completely.

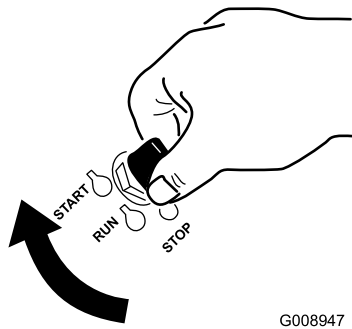


Figure 17

G008947

2. Turn the ignition key to stop to stop the engine.

Starting and Stopping the Engine

Starting the Engine

1. Raise the ROPS up and lock into place, sit on the seat and fasten the seat belt.
2. Slowly open the fuel valve to equalize the pressure in the tank. The fuel valve is located on the top end of the LPG tank. If the fuel valve is opened too quickly, the pressure relief valve is equipped with a back pressure check valve that will shut off the fuel supply. If this happens, close the fuel valve completely and wait five seconds. Slowly open the fuel valve.
3. Move the motion controls to neutral locked position.
4. Set the parking brake; refer to Setting the Parking Brake.
5. Move the blade control switch (PTO) to the Off position (Figure 18).
6. Move the throttle lever to the 3/4 throttle position between the Slow and Fast positions (Figure 18).

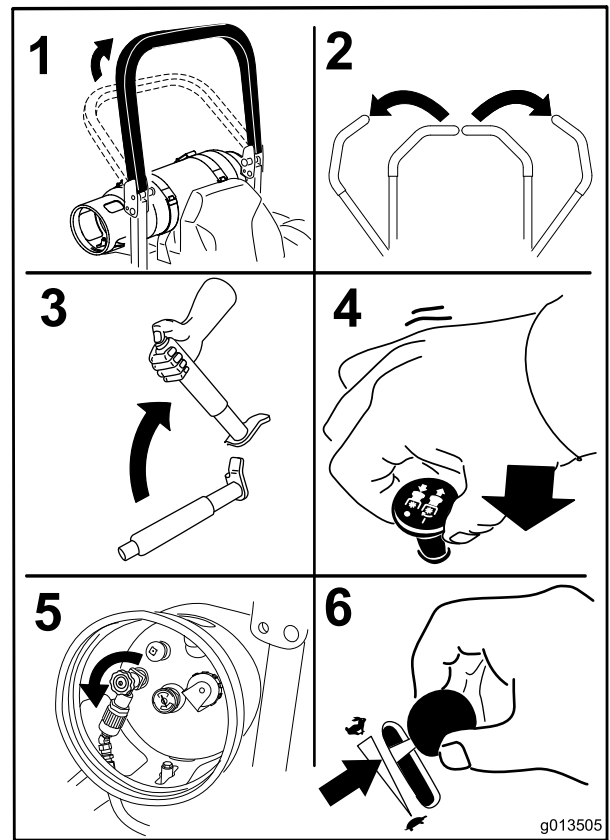


Figure 18

g013505

7. Turn the ignition key to the Start position (Figure 17). When the engine starts, release the key.

Important: Do not engage starter for more than 5 seconds at a time. If the engine fails to start allow a 15 second cool-down period between attempts. Failure to follow these instructions can burn out the starter motor.

Note: Additional starting cycles may be required when starting the engine for the first time after the fuel system has been without fuel completely.

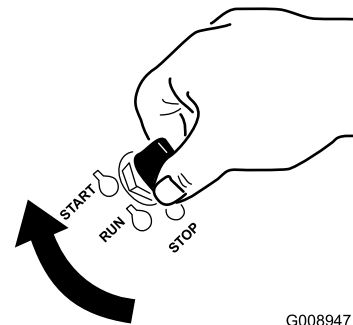


Figure 19

G008947

1. Off
2. Run
3. Start

Stopping the Engine

⚠ CAUTION

Children or bystanders may be injured if they move or attempt to operate the tractor while it is unattended.

Always remove the ignition key and set the parking brake when leaving the machine unattended, even if just for a few minutes.

Let the engine idle at slow throttle (turtle) for 60 seconds before turning the ignition switch off.

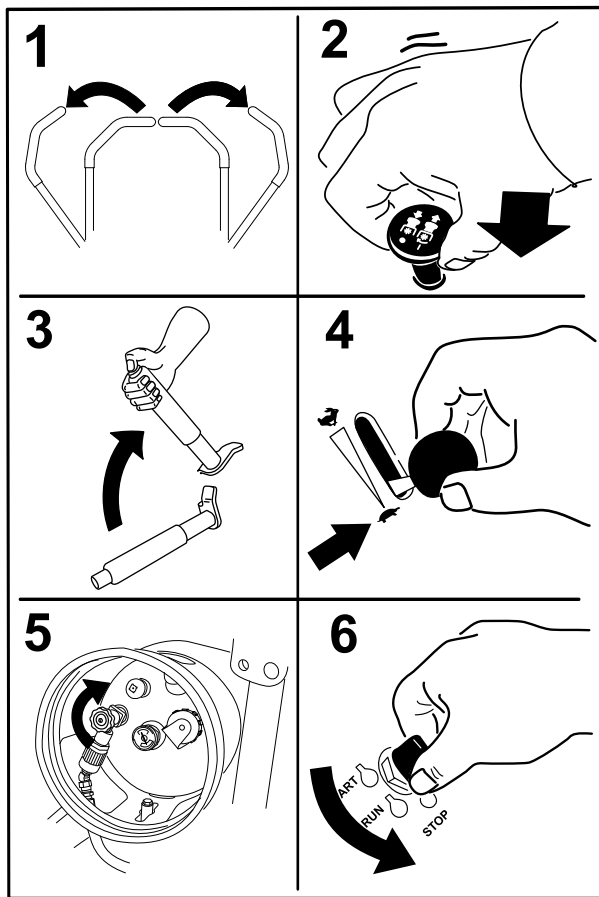


Figure 20

Important: Make sure that the fuel shut off valve is closed before transporting or storing the machine, as fuel leakage may occur. Set the parking brake before transporting. Make sure to remove the key as the fuel pump may run and cause the battery to lose charge.

The Safety Interlock System

⚠ CAUTION

If safety interlock switches are disconnected or damaged the machine could operate unexpectedly causing personal injury.

- Do not tamper with the interlock switches.
- Check the operation of the interlock switches daily and replace any damaged switches before operating the machine.

Understanding the Safety Interlock System

The safety interlock system is designed to prevent the engine from starting unless:

- The parking brake is engaged.
- The blade control switch (PTO) is disengaged.
- The motion control levers are in the neutral locked position

The safety interlock system also is designed to stop the engine when the traction controls are moved from the locked position with the parking brake engaged or if you rise from the seat when the PTO is engaged.

The hour meter has symbols to notify the user when the interlock component is in the correct position. When the component is in the correct position, a triangle will light up in the corresponding square.

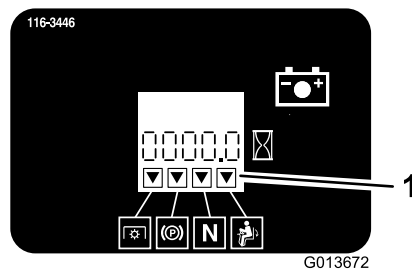


Figure 21

1. Triangles light up when the interlock components are in the correct position

Testing the Safety Interlock System

Service Interval: Before each use or daily

Test the safety interlock system before you use the machine each time. If the safety system does not operate as described below, have an Authorized Service Dealer repair the safety system immediately.

1. Sitting on the seat, engage the parking brake and move the blade control switch (PTO) to on. Try starting the engine; the engine should not crank.

2. Sitting on the seat, engage the parking brake and move the blade control switch (PTO) to off. Move either motion control lever (out of neutral locked position). Try starting the engine; the engine should not crank. Repeat for other control lever.
3. Sitting on the seat, engage the parking brake, move the blade control switch (PTO) to off and move the motion control levers to neutral lock position. Now start the engine. While the engine is running, release the parking brake, engage the blade control switch (PTO) and rise slightly from the seat; the engine should stop.
4. Sitting on the seat, engage the parking brake, move the blade control switch (PTO) to off and move the motion control levers to neutral lock position. Now start the engine. While the engine is running, center either motion control and move (forward or reverse); the engine should stop. Repeat for other motion control.
5. Sitting on the seat, disengage the parking brake, move the blade control switch (PTO) to off and move the motion control levers to neutral lock position. Try starting the engine; the engine should not crank.

Driving Forward or Backward

The throttle control regulates the engine speed as measured in rpm (revolutions per minute). Place the throttle control in the fast position for best performance. Always operate in the full throttle position when mowing.

⚠ CAUTION

Machine can spin very rapidly. Operator may lose control of machine and cause personal injury or damage to machine.

- Use caution when making turns.
- Slow the machine down before making sharp turns.

Using the Motion Control Levers

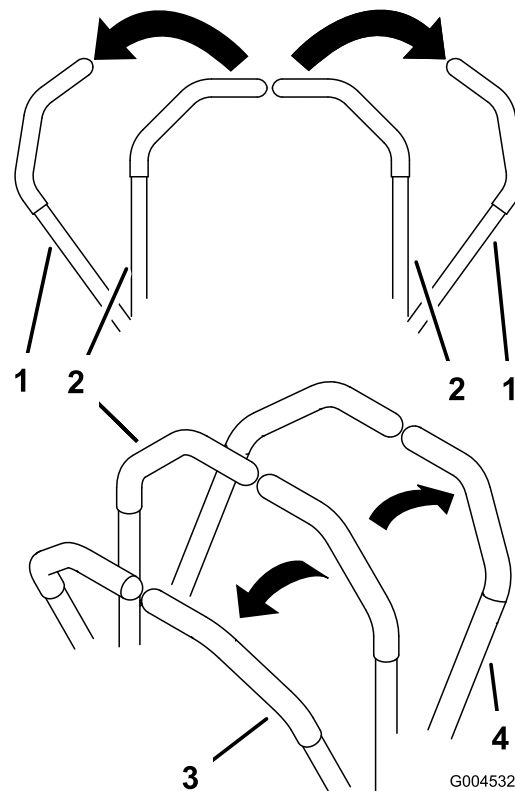


Figure 22

- | | |
|---|---------------------|
| 1. Motion control lever-neutral lock position | 4. Backward |
| 2. Center, unlocked position | 5. Front of machine |
| 3. Forward | |

Driving Forward

Note: The engine will kill if the traction control levers are moved with the parking brake engaged.

To stop, pull the motion control levers to the neutral position.

1. Release the parking brake; refer to Releasing the Parking Brake in Operation.
2. Move the levers to the center, unlocked position.
3. To go forward, slowly push the motion control levers forward (Figure 23).

Stopping the Machine

To stop the machine, move the traction control levers to neutral and move to locked position, disengage the power take off (blade control switch (PTO)), and turn the ignition key to off.

Set the parking brake when you leave the machine; refer to Setting the Parking Brake in Operation. Remember to remove the key from the ignition switch.

⚠ CAUTION

Children or bystanders may be injured if they move or attempt to operate the tractor while it is unattended.

Always remove the ignition key and set the parking brake when leaving the machine unattended, even if just for a few minutes.

Adjusting the Height of Cut

Using the Transport Lock

The transport lock has two positions and is used with the deck lift pedal. There is a lock position and a unlock position for the transport position. The transport lock is used with the deck lift pedal. Refer to Figure 25

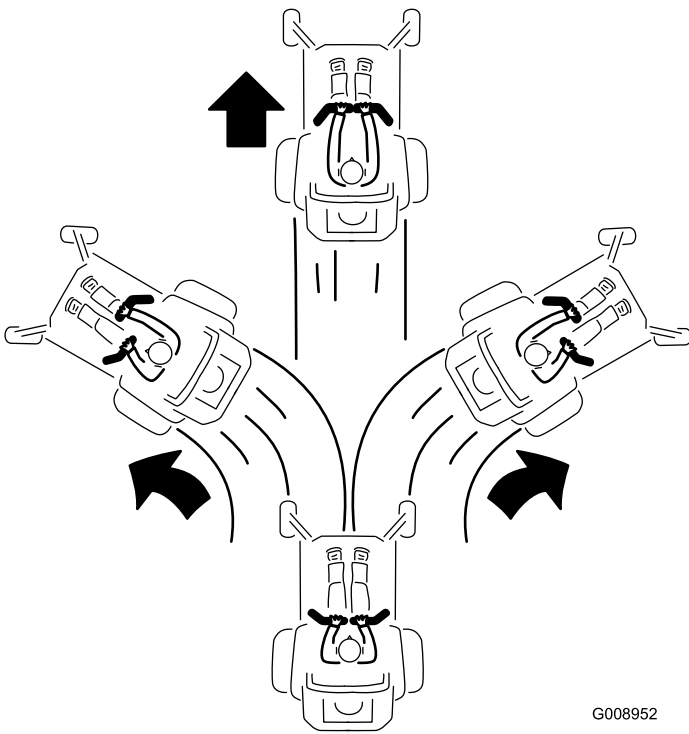


Figure 23

G008952

Driving Backward

1. Move the levers to the center, unlocked position.
2. To go backward, slowly pull the motion control levers rearward (Figure 24).

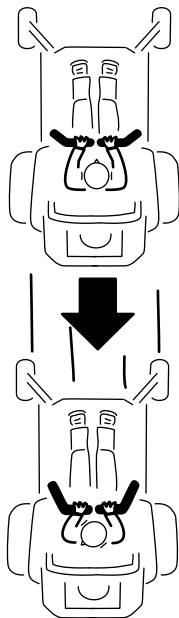


Figure 24

G008953

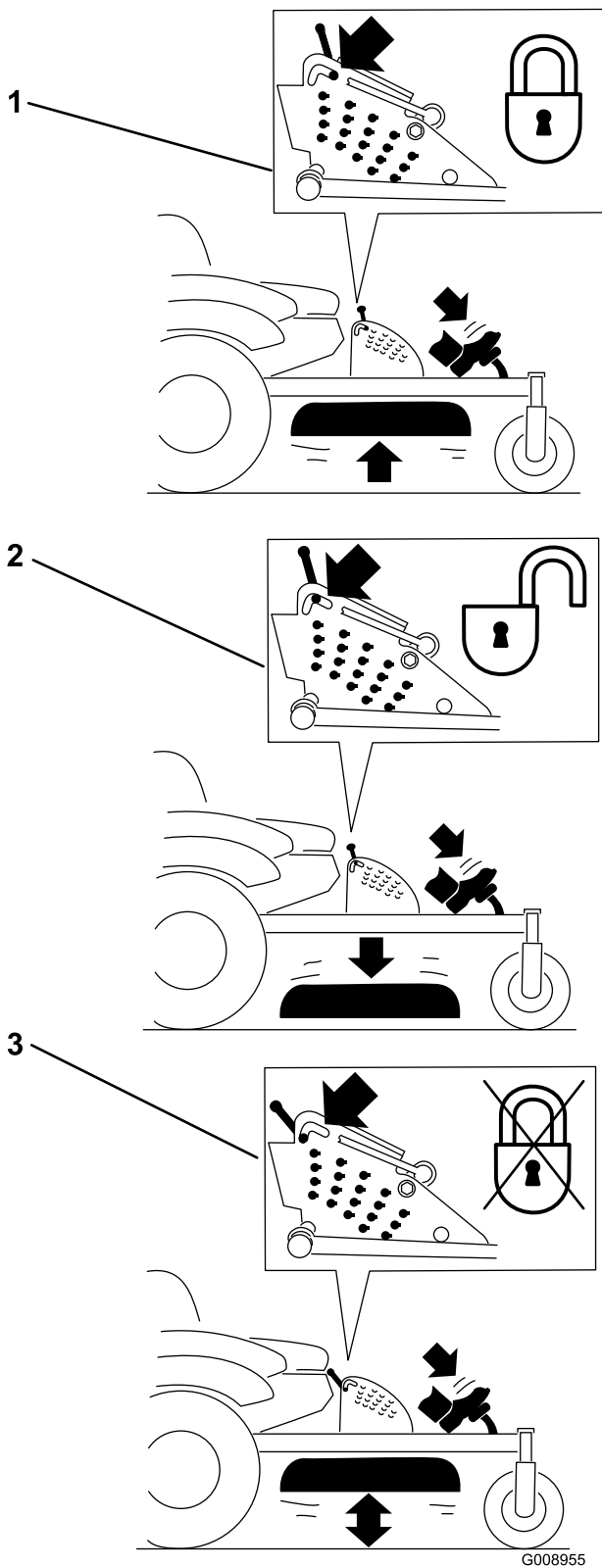


Figure 25

Transport Lock Positions

1. Transport lock
2. Lock position—mower deck will lock into transport position
3. Unlock position—does not lock the mower deck into transport position

Adjusting the Height-of-Cut Pin

The height-of-cut is adjusted from 1 to 5-1/2 inches (25 to 140 mm) in 1/4 inch (6 mm) increments by relocating the clevis pin into different hole locations.

1. Move the transport lock to the lock position.
2. Push on the deck lift pedal with your foot and raise the mower deck to the transport position (also the 5-1/2 inch (140 mm) cutting height position) (Figure 26).
3. To adjust, rotate the pin 90 degrees and remove the pin from the height-of-cut bracket (Figure 26).
4. Select a hole in the height-of-cut bracket corresponding to the height-of-cut desired and, insert the pin (Figure 26).
5. Push on the deck lift, pull back on the transport lock, and slowly lower the mower deck.

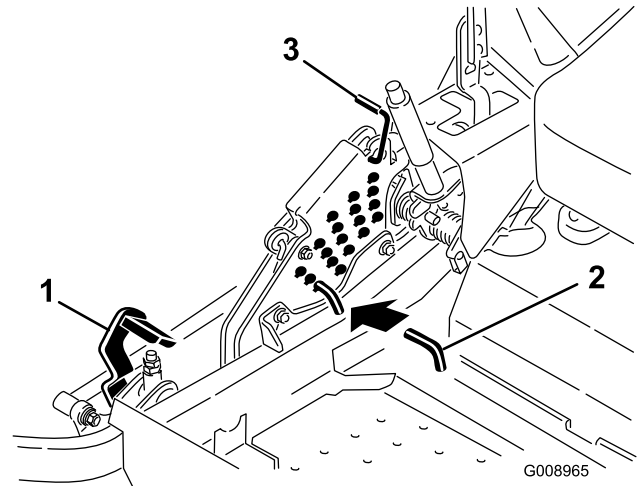


Figure 26

1. Deck lift pedal
2. Cut of height pin
3. Transport lock

Adjusting the Anti-Scalp Rollers

Whenever you change the height-of-cut, it is recommended to adjust the height of the anti-scalp rollers.

1. Disengage the blade control switch (PTO), move the motion control levers to the neutral locked position and set the parking brake.
2. Stop the engine, remove the key, and wait for all moving parts to stop before leaving the operating position.

ANTI-SCALP ROLLER ADJUSTMENT
 FOR MAXIMUM DECK FLOTATION,
 PLACE ROLLERS IN POSITIONS SHOWN.
 TURN ENGINE OFF BEFORE
 MAKING ROLLER ADJUSTMENTS.

- 1.5" / 38mm
- 2.0" / 51mm
- 2.5" / 63mm
- 3.0" / 76mm

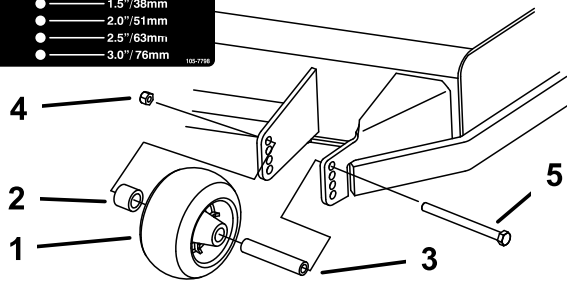


Figure 27

- 1. Anti-scalp roller
- 2. Spacer
- 3. Bushing
- 4. Flange Nut
- 5. Bolt

G000942

Adjusting the Flow Baffle Cam Locks

This procedure is applicable only to machines with the flow baffle locks. Certain models will have nuts and bolts in-place of the flow baffle locks and can be adjusted the same.

The mower discharge flow can be adjusted for different types of mowing conditions. Position the cam locks and baffle to give the best quality of cut.

1. Disengage the blade control switch (PTO), move the motion control levers to the neutral locked position and set the parking brake.
2. Stop the engine, remove the key, and wait for all moving parts to stop before leaving the operating position.
3. To adjust the cam locks, swing the lever up to loosen the cam lock (Figure 30).
4. Adjust the baffle and cam locks in the slots to the desired discharge flow.
5. Swing the lever back over to tighten the baffle and cam locks (Figure 30).
6. If the cam locks do not lock the baffle into place or it is too tight, loosen the lever and then rotate the cam lock. Adjust the cam lock until the desired locking pressure is achieved.

ANTI-SCALP ROLLER ADJUSTMENT
 FOR MAXIMUM DECK FLOTATION,
 PLACE ROLLERS IN POSITIONS SHOWN.
 TURN ENGINE OFF BEFORE
 MAKING ROLLER ADJUSTMENTS.

- 1.5" / 38mm
- 2.0" / 51mm
- 2.5" / 63mm
- 3.0" / 76mm

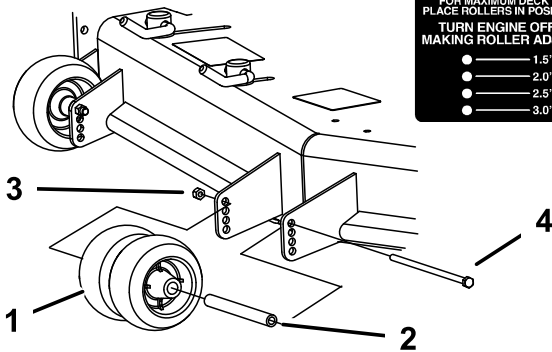


Figure 28

- 1. Anti-scalp roller
- 2. Bushing
- 3. Flange Nut
- 4. Bolt

G000943

ANTI-SCALP ROLLER ADJUSTMENT
 FOR MAXIMUM DECK FLOTATION,
 PLACE ROLLERS IN POSITIONS SHOWN.
 TURN ENGINE OFF BEFORE
 MAKING ROLLER ADJUSTMENTS.

- 1.5" / 38mm
- 2.0" / 51mm
- 2.5" / 63mm
- 3.0" / 76mm

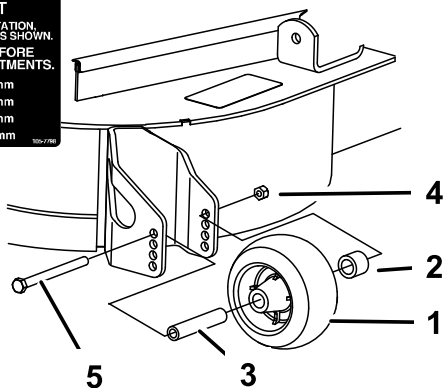


Figure 29

- 1. Anti-scalp roller
- 2. Spacer
- 3. Bushing
- 4. Flange Nut
- 5. Bolt

G000944

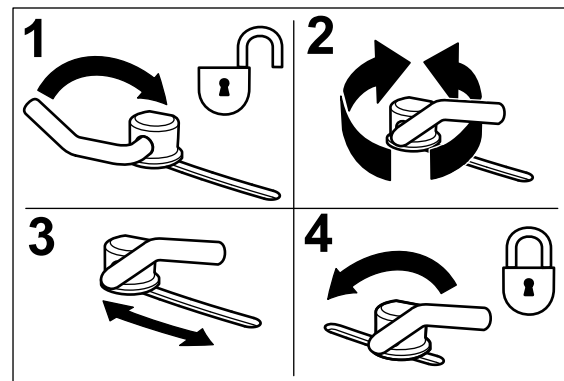


Figure 30

- 1. Unlock lever
- 2. Rotate the cam lock to increase or decrease locking pressure
- 3. Position the baffle
- 4. Lock lever

G008961

Positioning the Flow Baffle

The following figures are only recommendations for use. Adjustments will vary by grass type, moisture content, and height of grass.

Note: If the engine power draws down and the mower ground speed is the same, open up the baffle.

Position A

This is the full rear position. The suggested use for this position is as follows.

- Use for short, light grass mowing conditions.
- Use in dry conditions.
- For smaller grass clippings.
- Propels grass clippings farther away from the mower.

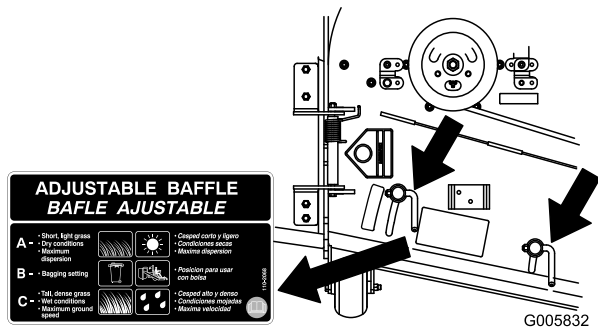


Figure 31

Position B

Use this position when bagging. Always align it with the blower opening.

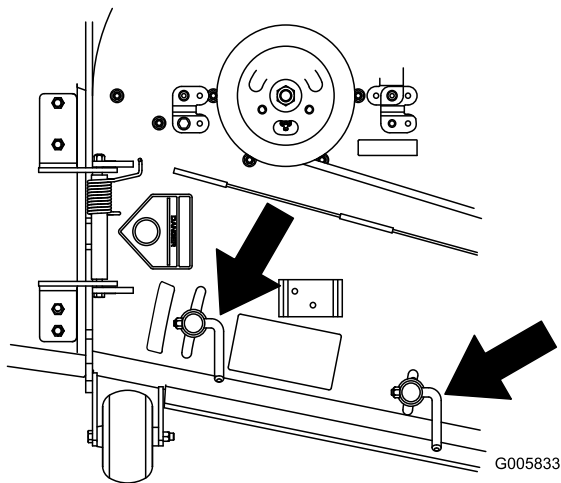


Figure 32

Position C

This is the full open position. The suggested use for this position is as follows.

- Use in tall, dense grass mowing conditions.
- Use in wet conditions.
- Lowers the engine power consumption.

- Allows increased ground speed in heavy conditions.
- This position is similar to the benefits of the Toro SFS mower.

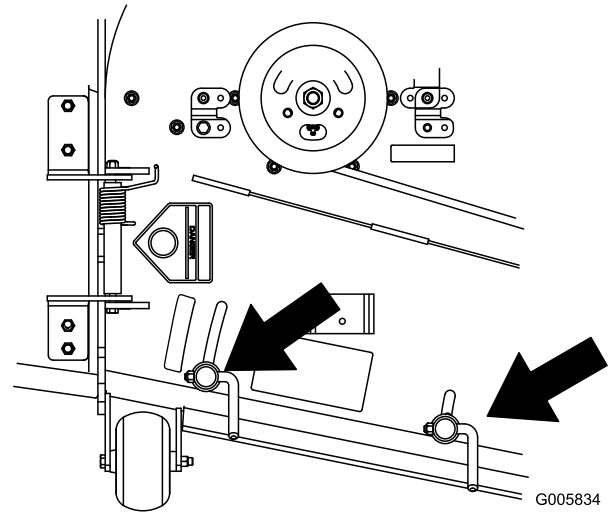


Figure 33

Positioning the Seat

The seat can move forward and backward. Position the seat where you have the best control of the machine and are most comfortable.

To adjust, move the lever sideways to unlock seat (Figure 34).

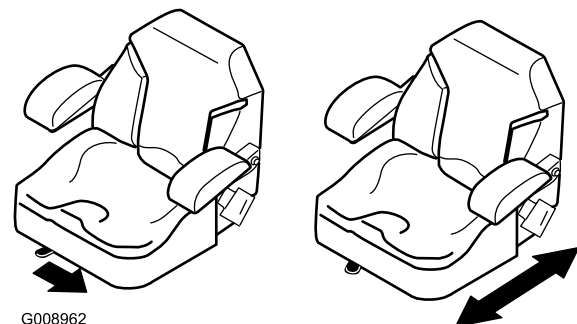


Figure 34

Unlatching the Seat

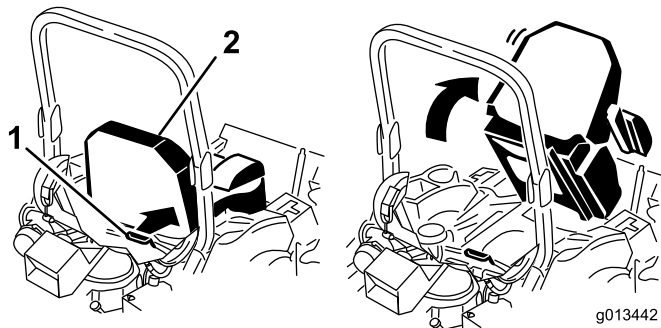


Figure 35

1. Seat latch

2. Seat

Using the Drive Wheel Release Valves

⚠ WARNING

Hands may become entangled in the rotating drive components below the engine deck, which could result in serious injury.

Stop the engine, remove the key, and allow all moving parts to stop before accessing the drive wheel release valves.

⚠ WARNING

The engine and hydraulic drive units can become very hot. Touching a hot engine or hydraulic drive units can cause severe burns.

Allow the engine and hydraulic drive units to cool completely before accessing the drive wheel release valves.

The drive wheel release valves are located in the back of each hydraulic drive unit, under the seat.

Note: Make sure the release valves are in the fully horizontal position when operating the machine or severe damage to the hydraulic system can occur.

1. Disengage the PTO (blade control switch) and turn the ignition key to off. Move the levers to neutral locked position and apply parking brake. Remove the key.
2. Rotate the release valve levers vertically to push the machine. This allows hydraulic oil to by-pass the pump enabling the wheels to turn (Figure 36).
3. Disengage parking brake before pushing.

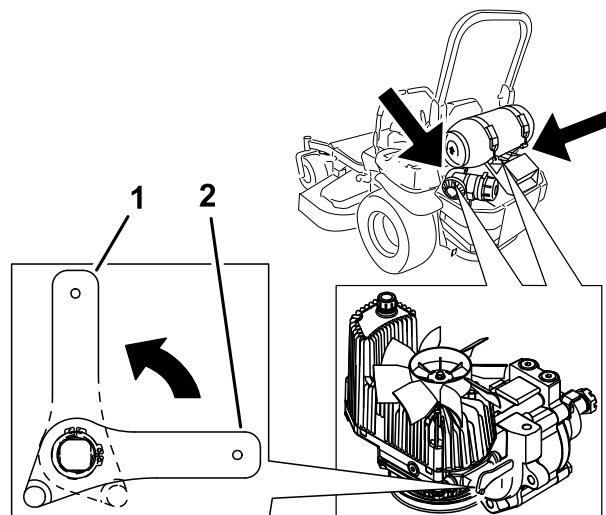


Figure 36

1. Vertical to push the machine

2. Horizontal to run the machine

4. Rotate the release valve levers horizontally to run the machine (Figure 36).

Using the Side Discharge

The mower has a hinged grass deflector that disperses clippings to the side and down toward the turf.

⚠ DANGER

Without a grass deflector, discharge cover, or complete grass catcher assembly mounted in place, you and others are exposed to blade contact and thrown debris. Contact with rotating mower blade(s) and thrown debris will cause injury or death.

- Never remove the grass deflector from the mower because the grass deflector routes material down toward the turf. If the grass deflector is ever damaged, replace it immediately.
- Never put your hands or feet under the mower.
- Never try to clear the discharge area or mower blades unless you move the power take off (blade control switch (PTO) to the off position, rotate the ignition key to off and remove the key.
- Make sure the grass deflector is in the down position.

Transporting Machines

Use a heavy-duty trailer or truck to transport the machine. Ensure that the trailer or truck has all necessary brakes, lighting, and marking as required by

law. Please carefully read all the safety instructions. Knowing this information could help you, your family, pets or bystanders avoid injury.

Trailers should be equipped with at least one approved portable fire extinguisher having a minimum capacity of 18 lb (8.2 kg) dry chemical with a B:C rating. Do Not use Carbon Tetrachloride extinguishers (Pyrene etc.).

⚠ WARNING

Driving on the street or roadway without turn signals, lights, reflective markings, or a slow moving vehicle emblem is dangerous and can lead to accidents causing personal injury.

Do not drive machine on a public street or roadway.

- Be sure the fuel valve is closed on the tank(s).
- Place spare LPG tank(s) in a DOT approved storage cage.
 - Transport tanks in an upright, vertical and secure position to minimize movement, tipping, or physical damage relative to other tanks or to the storage cage while in transit.
 - Place tanks so that valves, fittings, or gauges are protected from physical damage during transport.
- Place tank(s) in a well-ventilated trailer.
- Do Not store the tank(s) or machine with tank(s) in an area where the temperature can rise above 120°F (49°C). If the temperature exceeds approximately 160°F (71°C), the tank will release highly flammable propane vapor. See Preparation in the Safety Section.
- Do Not transport LPG tank(s) in the passenger space of a vehicle.
- Do Not transport leaking fuel tanks.
- Trailers must have appropriate markings to transport LPG.
- Follow NFPA 58 and state and local regulations for transporting LPG.

To transport the machine:

1. If using a trailer, connect it to the towing vehicle and connect the safety chains.
2. If applicable, connect the trailer brakes.
3. Load the machine onto the trailer or truck.
4. Stop the engine, remove the key, set the brake, and close the fuel valve.
5. Use the metal tie down loops on the machine to securely fasten the machine to the trailer or truck with straps, chains, cable, or ropes (Figure 37).

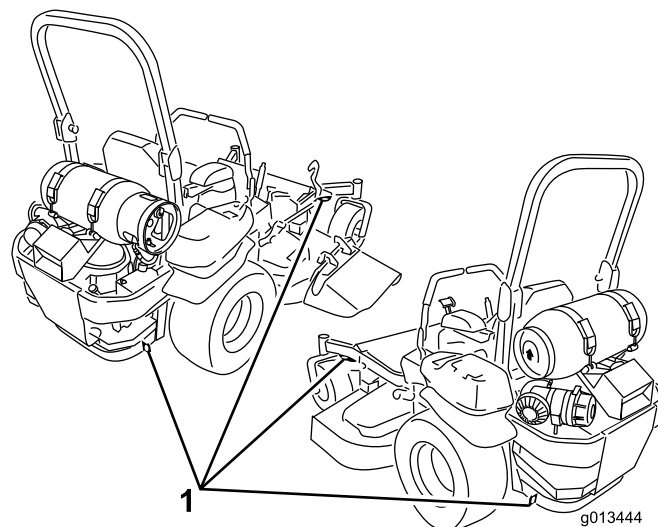


Figure 37

1. Traction unit tie down loops

Loading Machines

Use extreme caution when loading units on trailers or trucks. One full width ramp that is wide enough to extend beyond the rear tires is recommended instead of individual ramps for each side of the unit (Figure 38). The lower rear section of the tractor frame extends back between the rear wheels and serves as a stop for tipping backward. Having a full width ramp provides a surface for the frame members to contact if the unit starts to tip backward. If it is not possible to use one full width ramp, use enough individual ramps to simulate a full width continuous ramp.

The ramp should be long enough so that the angles do not exceed 15 degrees (Figure 38). A steeper angle may cause mower components to get caught as the unit moves from ramp to trailer or truck. Steeper angles may also cause the unit to tip backward. If loading on or near a slope, position the trailer or truck so it is on the down side of the slope and the ramp extends up the slope. This will minimize the ramp angle. The trailer or truck should be as level as possible.

Important: Do Not attempt to turn the unit while on the ramp; you may lose control and drive off the side.

Avoid sudden acceleration when driving up a ramp and sudden deceleration when backing down a ramp. Both maneuvers can cause the unit to tip backward.

⚠ WARNING

Loading a unit onto a trailer or truck increases the possibility of backward tip-over and could cause serious injury or death.

- Use extreme caution when operating a unit on a ramp.
- Ensure the ROPS is in the up position while using the seat belt when loading the machine. Ensure the ROPS will clear the top of an enclosed trailer.
- Use only a single, full width ramp; Do Not use individual ramps for each side of the unit.
- If individual ramps must be used, use enough ramps to create an unbroken ramp surface wider than the unit.
- Do not exceed a 15 degree angle between ramp and ground or between ramp and trailer or truck.
- Avoid sudden acceleration while driving unit up a ramp to avoid tipping backward.
- Avoid sudden deceleration while backing unit down a ramp to avoid tipping backward.

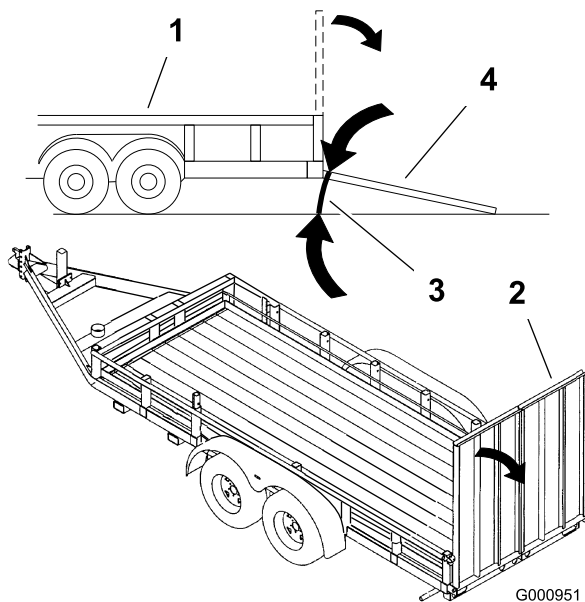


Figure 38

- | | |
|--------------------|--------------------------------|
| 1. Trailer | 3. Not greater than 15 degrees |
| 2. Full width ramp | 4. Full width ramp—side view |

Operating Tips

Fast Throttle Setting

For best mowing and maximum air circulation, operate the engine at the fast throttle position. Air is required to thoroughly cut grass clippings, so do not set the height-of-cut so low as to totally surround the mower by uncut grass. Always try to have one side of the mower free from uncut grass, which allows air to be drawn into the mower.

Cutting a Lawn for the First Time

Cut grass slightly longer than normal to ensure the cutting height of the mower does not scalp any uneven ground. However, the cutting height used in the past is generally the best one to use. When cutting grass longer than six inches tall, you may want to cut the lawn twice to ensure an acceptable quality of cut.

Cut 1/3 of the Grass Blade

It is best to cut only about 1/3 of the grass blade. Cutting more than that is not recommended unless grass is sparse, or it is late fall when grass grows more slowly.

Mowing Direction

Alternate mowing direction to keep the grass standing straight. This also helps disperse clippings which enhances decomposition and fertilization.

Mow at Correct Intervals

Normally, mow every four days. But remember, grass grows at different rates at different times. So to maintain the same cutting height, which is a good practice, mow more often in early spring. As the grass growth rate slows in mid summer, mow less frequently. If you cannot mow for an extended period, first mow at a high cutting height; then mow again two days later at a lower height setting.

Cutting Speed

To improve cut quality, use a slower ground speed in certain conditions.

Avoid Cutting Too Low

If the cutting width of the mower is wider than the mower you previously used, raise the cutting height to ensure that uneven turf is not cut too short.

Long Grass

If the grass is ever allowed to grow slightly longer than normal, or if it contains a high degree of moisture, raise the cutting height higher than usual and cut the grass at this setting. Then cut the grass again using the lower, normal setting.

When Stopping

If the machine's forward motion must be stopped while mowing, a clump of grass clippings may drop onto your lawn. To avoid this, move onto a previously cut area with the blades engaged.

Keep the Underside of the Mower Clean

Clean clippings and dirt from the underside of the mower after each use. If grass and dirt build up inside the mower, cutting quality will eventually become unsatisfactory.

Blade Maintenance

Maintain a sharp blade throughout the cutting season because a sharp blade cuts cleanly without tearing or shredding the grass blades. Tearing and shredding turns grass brown at the edges, which slows growth and increases the chance of disease. Check the cutter blades daily for sharpness, and for any wear or damage. File down any nicks and sharpen the blades as necessary. If a blade is damaged or worn, replace it immediately with a genuine TORO replacement blade.

Maintenance

Recommended Maintenance Schedule(s)

Maintenance Service Interval	Maintenance Procedure
After the first 8 hours	<ul style="list-style-type: none"> • Change the engine oil.
After the first 100 hours	<ul style="list-style-type: none"> • Check the wheel hub slotted nut torque. • Check the torque for wheel lug nuts. • Check the park brake adjustment.
Before each use or daily	<ul style="list-style-type: none"> • Check the safety system. • Check the engine oil level. • Check the LPG tank and components. • Check the seat belt. • Check the rollover protection system (ROPS) knobs. • Clean the engine screen and the oil cooler. • Check and clean the hydraulic unit shrouds. • Check the mower blades. • Clean the mower deck.
Every 40 hours	<ul style="list-style-type: none"> • Check the LPG hoses, regulator and connections.
Every 50 hours	<ul style="list-style-type: none"> • Grease the mower deck spindles and idler arm. • Check spark arrester (if equipped). • Check the tire pressure. • Inspect the belts for cracks and wear. • Check the hydraulic oil level.
Every 100 hours	<ul style="list-style-type: none"> • Lubricate the mower deck lift pivots. • Change the engine oil. (more often in dirty or dusty conditions) • Check, clean and regap the spark plug. • Check and clean engine cooling fins and shrouds.
Every 200 hours	<ul style="list-style-type: none"> • Lubricate the brake handle pivot with light oil. • Change the engine oil filter.
Every 250 hours	<ul style="list-style-type: none"> • Replace the primary air filter. • Check the secondary air filter. • Change the hydraulic filters and hydraulic oil when using Mobil® 1 oil.
Every 500 hours	<ul style="list-style-type: none"> • Replace the secondary air filter. • Check the wheel hub slotted nut torque. • Check the torque for wheel lug nuts. • Adjust the caster pivot bearing. • Check the park brake adjustment. • Change the hydraulic filters and hydraulic oil when using Toro® HYPR-OIL™ 500 hydraulic oil.
Monthly	<ul style="list-style-type: none"> • Check the battery.
Yearly	<ul style="list-style-type: none"> • Grease the pump belt idler arm. • Grease the front caster pivots (more often in dirty or dusty conditions). • Repack the front caster wheel bearings (more often in dirty or dusty conditions). • Lubricate the caster wheel hubs
Yearly or before storage	<ul style="list-style-type: none"> • Paint chipped surfaces. • Check all maintenance procedures listed above before storage.

Important: Refer to your engine operator's manual for additional maintenance procedures.

⚠ CAUTION

If you leave the key in the ignition switch, someone could accidentally start the engine and seriously injure you or other bystanders.

Remove the key from the ignition before you do any maintenance.

Lubrication

Greasing and Lubrication

Grease more frequently when operating conditions are extremely dusty or sandy.

Grease Type: No. 2 general purpose lithium base or molybdenum base grease

How to Grease

1. Disengage the blade control switch (PTO), move the motion control levers to the neutral locked position and set the parking brake.
2. Stop the engine, remove the key, and wait for all moving parts to stop before leaving the operating position.
3. Clean the grease fittings with a rag. Make sure to scrape any paint off the front of the fitting(s).
4. Connect a grease gun to the fitting. Pump grease into the fittings until grease begins to ooze out of the bearings.
5. Wipe up any excess grease.

Where to Add Light Oil or Spray Lubrication

Service Interval: Every 100 hours

Every 200 hours

- Brake handle pivot.
- Deck lift pivots.

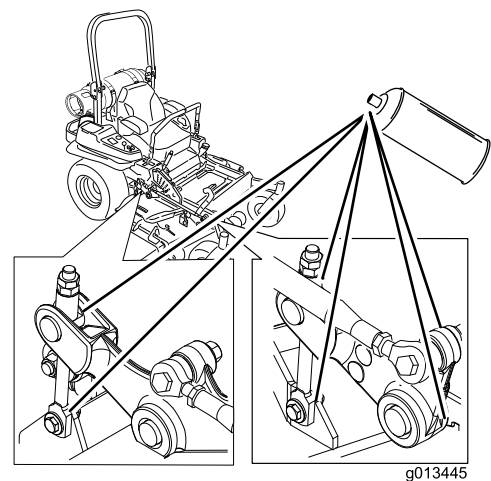
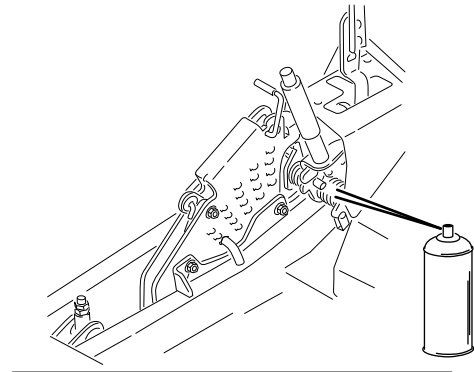


Figure 39

Where to Grease the Mower

Service Interval: Every 50 hours—Grease the mower deck spindles and idler arm.

Yearly—Grease the pump belt idler arm.

Yearly—Grease the front caster pivots (more often in dirty or dusty conditions).

Yearly—Repack the front caster wheel bearings (more often in dirty or dusty conditions).

Important: Make sure cutting unit spindles are full of grease weekly.

1. Disengage the blade control switch (PTO), move the motion control levers to the neutral locked position, and set the parking brake.

2. Stop the engine, remove the key, and wait for all moving parts to stop before leaving the operating position.
3. Grease the mower deck idler pulley pivot until grease come out the bottom (Figure 40).
4. Grease the three spindle bearings until grease comes out the lower seals (Figure 40).

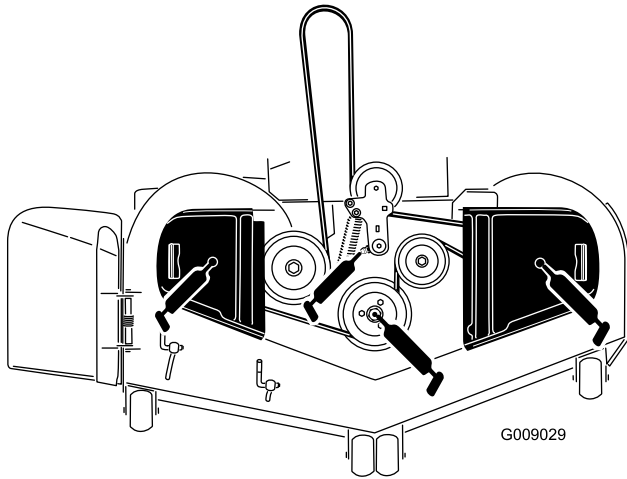


Figure 40

5. Grease the drive belt idler arm (Figure 40).

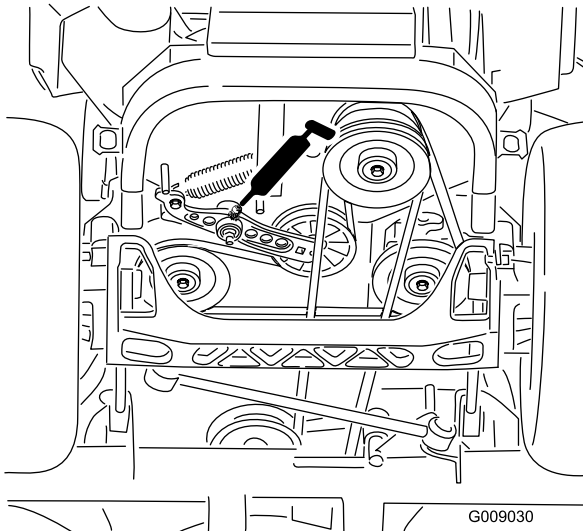


Figure 41

6. Remove the dust cap and adjust the caster pivots. Keep the dust cap off until greasing is done. Refer to Adjusting the Caster Pivot Bearing in Maintenance.
7. Remove the hex plug. Thread a grease zerk into the hole.
8. Pump grease into the zerk until it oozes out around the top bearing.
9. Remove the grease zerk in the hole. Install the hex plug and dust cap (Figure 42).

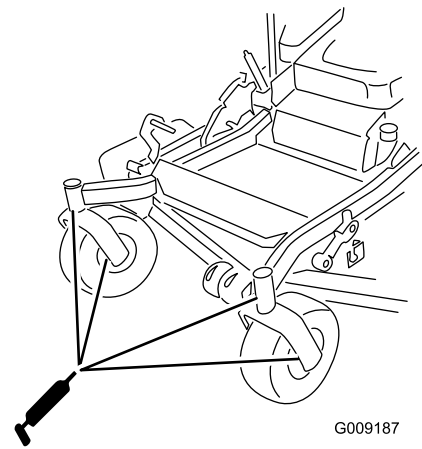


Figure 42

Lubricate Caster Wheel Hubs

Service Interval: Yearly

1. Stop the engine, wait for all moving parts to stop, and remove the key. Engage the parking brake.

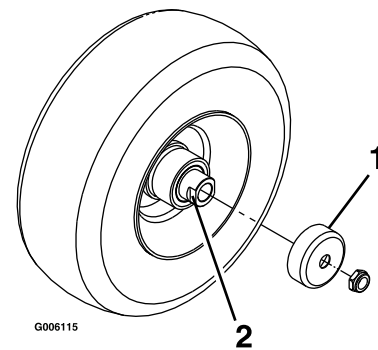


Figure 43

1. Seal guard
2. Spacer nut with wrench flats

2. Remove the caster wheel from the caster forks.
3. Remove the seal guards from the wheel hub.
4. Remove one of the spacer nuts from the axle assembly in the caster wheel. Note that thread locking adhesive has been applied to lock the spacer nuts to the axle. Remove the axle (with the other spacer nut still assembled to it) from the wheel assembly.
5. Pry out seals, and inspect bearings for wear or damage and replace if necessary.
6. Pack the bearings with a general-purpose grease.
7. Insert one bearing, one new seal into the wheel.

Note: The seals must be replaced.

8. If the axle assembly has had both spacer nuts removed (or broken loose), apply a thread locking

adhesive to one spacer nut and thread onto the axle with the wrench flats facing outward. Do Not thread spacer nut all of the way onto the end of the axle. Leave approximately 1/8 inch (3 mm) from the outer surface of the spacer nut to the end of the axle inside the nut.

9. Insert the assembled nut and axle into the wheel on the side of the wheel with the new seal and bearing.
10. With the open end of the wheel facing up, fill the area inside the wheel around the axle full of general-purpose grease.
11. Insert the second bearing and new seal into the wheel.
12. Apply a thread locking adhesive to the 2nd spacer nut and thread onto the axle with the wrench flats facing outward.
13. Torque the nut to 75-80 in-lb (8-9 N-m), loosen, then re-torque to 20-25 in-lb (2-3 N-m). Make sure axle does not extend beyond either nut.
14. Reinstall the seal guards over the wheel hub and insert wheel into caster fork. Reinstall caster bolt and tighten nut fully.

Important: To prevent seal and bearing damage, check the bearing adjustment often. Spin the caster tire. The tire should not spin freely (more than 1 or 2 revolutions) or have any side play. If the wheel spins freely, adjust torque on spacer nut until there is a slight amount of drag. Reapply thread locking adhesive.

Engine Maintenance

▲ WARNING

Contact with hot surfaces may cause personal injury.

Keep hands, feet, face, clothing and other body parts away the muffler and other hot surfaces.

Servicing the Air Cleaner

Service Interval: Every 250 hours—Replace the primary air filter.

Every 250 hours—Check the secondary air filter.

Every 500 hours—Replace the secondary air filter.

Note: Service the air cleaner more frequently if operating conditions are extremely dusty or sandy.

Removing the Filters

1. Disengage the PTO, move the motion control levers to the neutral locked position and set the parking brake.
2. Stop the engine, remove the key, and wait for all moving parts to stop before leaving the operating position.
3. Push down to release the retaining clamps on the air cleaner and pull the air cleaner cover off of the air cleaner body (Figure 44).
4. Clean the inside of the air cleaner cover with compressed air.
5. Gently slide the primary filter out of the air cleaner body (Figure 44). Avoid knocking the filter into the side of the body.
6. Remove the secondary filter only if you intend to replace it.

Important: Never attempt to clean the secondary filter. If the secondary filter is dirty, then the primary filter is damaged and you should replace both filters.

7. Inspect the primary filter for damage by looking into the filter while shining a bright light on the outside of the filter. Holes in the filter will appear as bright spots. If the filter is damaged discard it.

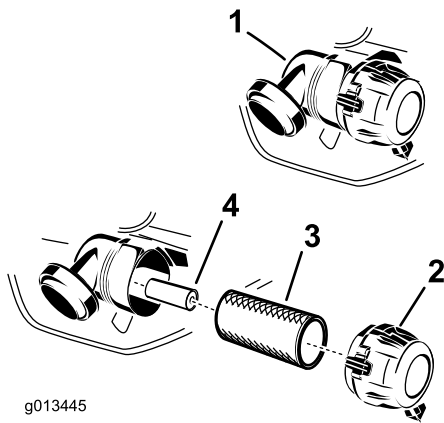


Figure 44

1. Air cleaner clamps
2. Air cleaner cover
3. Primary air filter
4. Secondary air filter

Servicing the Primary Filter

1. Do not clean the paper filter, replace it (Figure 44).
2. Inspect the element for tears, an oily film, or damage to the rubber seal.
3. Replace the paper element if it is damaged.

Servicing the Secondary Filter

Do not clean the secondary filter, replace it.

Important: Never attempt to clean the secondary filter. If the secondary filter is dirty, then the primary filter is damaged and you should replace both filters.

Installing the Filters

Important: To prevent engine damage, always operate the engine with both air filters and cover installed.

1. If installing new filters, check each filter for shipping damage. Do not use a damaged filter.
2. If the secondary filter is being replaced, carefully slide it into the filter body (Figure 44).
3. Carefully slide the primary filter over the secondary filter (Figure 44). Ensure that it is fully seated by pushing on the outer rim of the filter while installing it.

Important: Do not press on the soft inside area of the filter.

4. Install the air cleaner cover with the breather cap down and rotate so the retaining clamps lock the cover in place (Figure 44).

Servicing the Engine Oil

Note: There are different oil capacities for the 23hp, 27hp, 29hp, and 34hp engines. Ensure the correct capacity is used.

Oil Type: Detergent oil (API service SG, SH, SJ, or SL)

Oil Capacity for 23hp Engines: with a filter change, 58 ounces (1.7 L); without a filter change, 51 ounces (1.5 L)

Oil Capacity for 27 and 29hp Engines: with a filter change, 77 ounces (2.3 L); without a filter change, 70 ounces (2.1 L)

Oil Capacity for 34hp Engines: with a filter change, 64 ounces (1.9 L); without a filter change, 58 ounces (1.7 L)

Viscosity: See the table below.

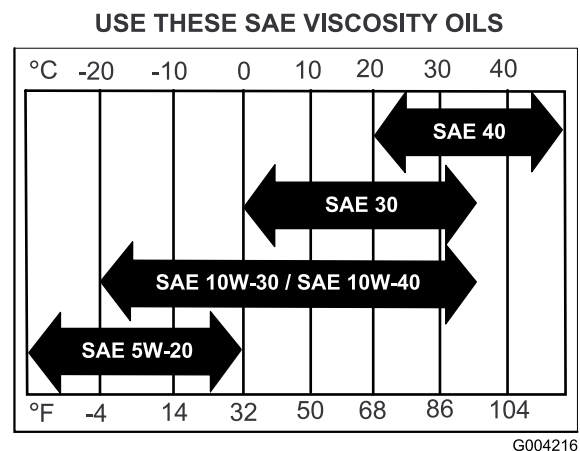


Figure 45

Note: Use of multi-grade oils (5W-20, 10W-30, or 10W-40) will increase oil consumption. Check the oil level more frequently when using them.

Checking the Engine Oil Level

Service Interval: Before each use or daily

Note: Check the oil when the engine is cold.

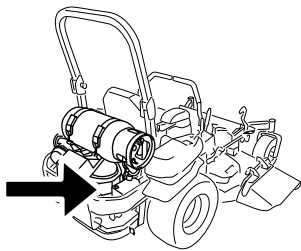
⚠ WARNING

Contact with hot surfaces may cause personal injury.

Keep hands, feet, face, clothing and other body parts away from the muffler and other hot surfaces.

Important: Do not overfill the crankcase with oil because damage to the engine may result. Do not run engine with oil below the low mark because the engine may be damaged.

1. Disengage the PTO, move the motion control levers to the neutral locked position and set the parking brake.
2. Stop the engine, remove the key, and wait for all moving parts to stop before leaving the operating position (Figure 46).



G013447

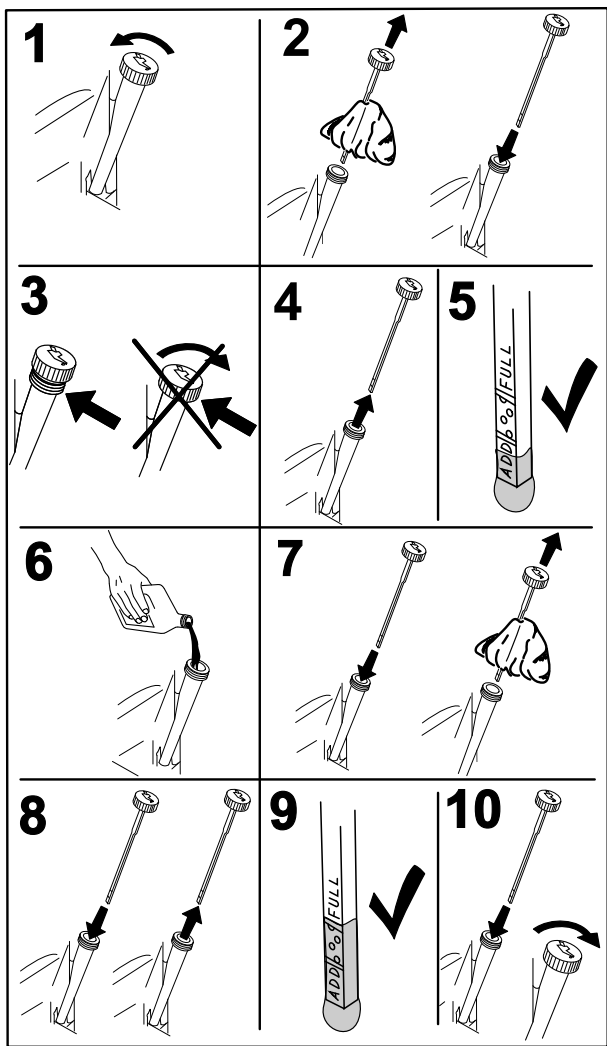


Figure 46

G008792

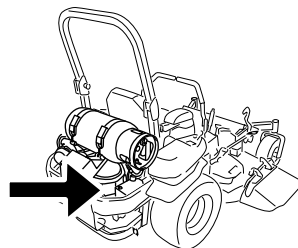
Changing the Engine Oil

Service Interval: After the first 8 hours

Every 100 hours (more often in dirty or dusty conditions)

Note: Dispose of the used oil at a recycling center.

1. Start the engine and let it run five minutes. This warms the oil so it drains better.
2. Park the machine so that the rear is slightly lower than the front to ensure the oil drains completely.
3. Disengage the PTO, move the motion control levers to the neutral locked position and set the parking brake.
4. Stop the engine, remove the key, and wait for all moving parts to stop before leaving the operating position (Figure 47).



G013447

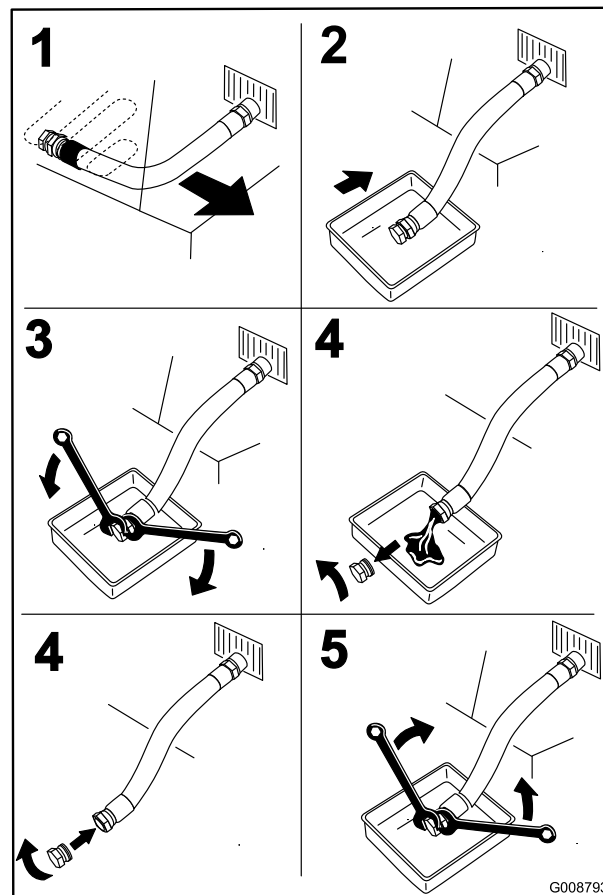


Figure 47

G008793

- Slowly pour approximately 80% of the specified oil into the filler tube and slowly add the additional oil to bring it to the **Full** mark (Figure 48).

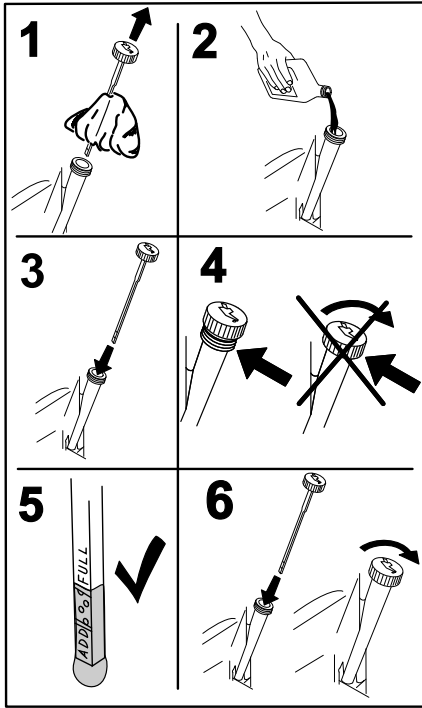
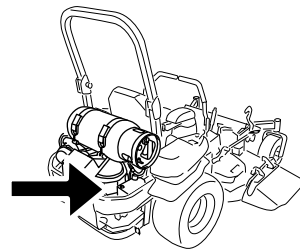


Figure 48



G013447

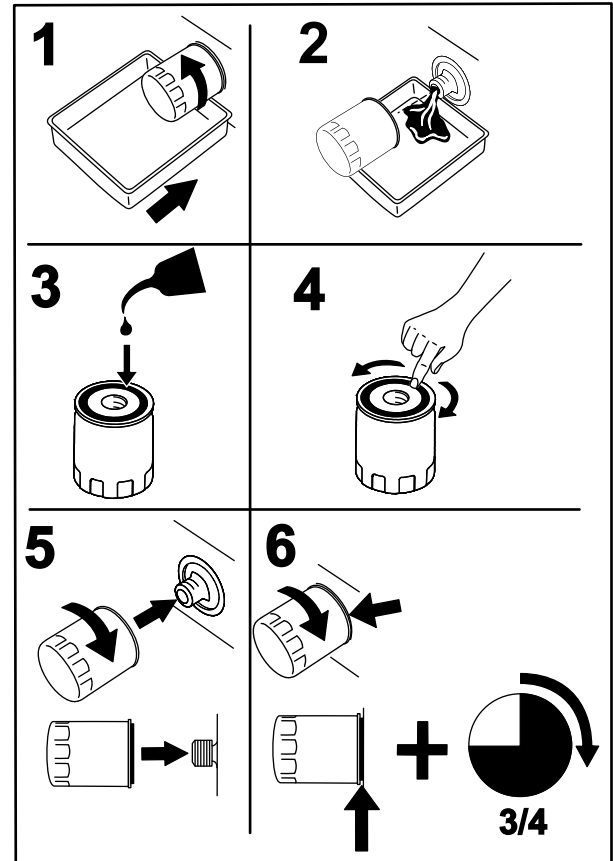


Figure 49

G008748

- Start the engine and drive to a flat area. Check the oil level again.

Changing the Engine Oil Filter

Service Interval: Every 200 hours

Note: Change the engine oil filter more frequently when operating conditions are extremely dusty or sandy.

- Drain the oil from the engine; refer to Changing the Engine Oil.
- Change the engine oil filter (Figure 49).

Note: Ensure the oil filter gasket touches the engine and then an extra 3/4 turn is completed.

- Fill the crankcase with the proper type of new oil; refer to Changing the Oil.

Servicing the Spark Plug

Service Interval: Every 100 hours

Make sure the air gap between the center and side electrodes is correct before installing the spark plug. Use a spark plug wrench for removing and installing the spark plug(s) and a gapping tool/feeler gauge to check and adjust the air gap. Install a new spark plug(s) if necessary.

Note: There are different spark plugs for the 23hp, 27hp, 29hp, and 34 hp engines. Ensure the correct spark plug is used.

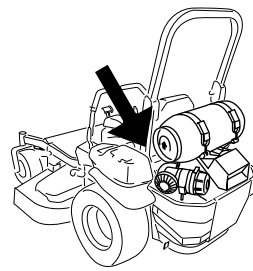
Type for 23hp, 27hp, and 29hp Engines: NGK® BPR4ES or equivalent

Type for 34hp Engines: NGK® BPR5ES or equivalent

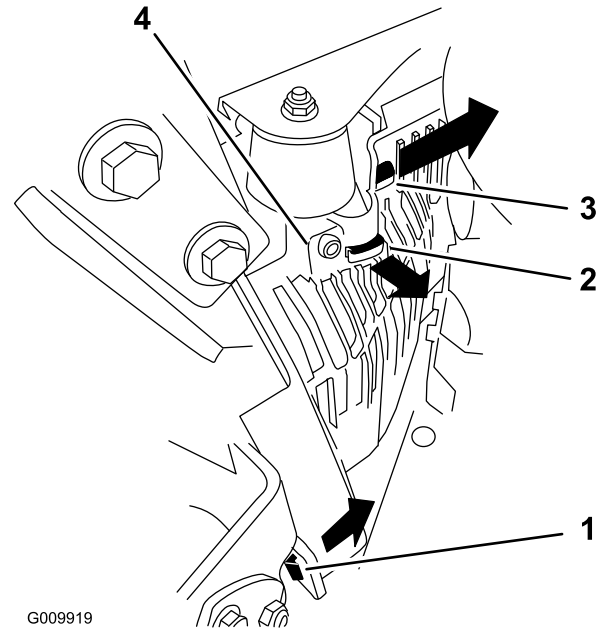
Air Gap: 0.030 inch (0.75 mm)

Removing the Spark Plug

1. Stop the engine, remove the key, and wait for all moving parts to stop before leaving the operating position.
2. Disengage the PTO, move the motion control levers to the neutral locked position and set the parking brake.
3. Remove the lefthand hydraulic unit shroud in the order listed with Figure 50. This gives you access to the front spark plug.



G013448

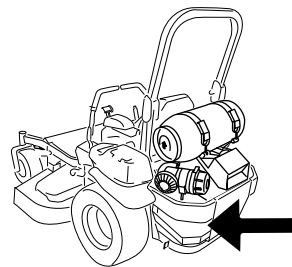


G009919

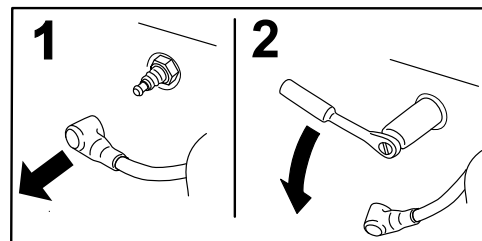
Figure 50

1. Pull this tab out to the side in the direction of the arrow
2. Pull the shroud off of this frame tab in the direction of the arrow
3. Pull the shroud off of this frame tab in the direction of the arrow
4. Shroud

4. Remove the spark plug.



G013449



G008791

Figure 51

5. Install the lefthand hydraulic unit shroud (Figure 50).

Checking the Spark Plug

Important: Never clean the spark plug(s). Always replace the spark plug(s) when it has: a black coating, worn electrodes, an oily film, or cracks.

If you see light brown or gray on the insulator, the engine is operating properly. A black coating on the insulator usually means the air cleaner is dirty.

Set the gap to 0.030 inches (0.76 mm).

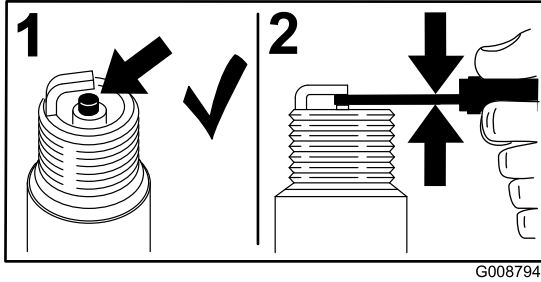


Figure 52

Installing the Spark Plug

Tighten the spark plug(s) to 16 ft.-lb (22 N-m).

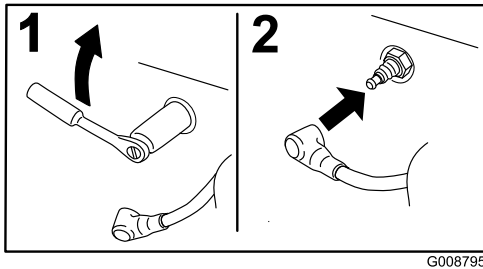


Figure 53

Check Spark Arrester (if equipped)

Service Interval: Every 50 hours

⚠ WARNING

Hot exhaust system components may ignite gasoline vapors even after the engine is stopped. Hot particles exhausted during engine operation may ignite flammable materials. Fire may result in personal injury or property damage.

Do Not refuel or run engine unless spark arrester is installed.

1. Stop engine, wait for all moving parts to stop, and remove key. Engage parking brake.
2. Wait for muffler to cool.
3. If any breaks in the screen or welds are observed, replace the arrester.
4. If plugging of the screen is observed, remove the arrester and shake loose particles out of the arrester and clean screen with a wire brush (soak in solvent if necessary). Reinstall arrester on exhaust outlet.

Fuel System Maintenance

Inspecting the LPG System

Service Interval: Before each use or daily

Every 40 hours

It is very important to check the LPG tank and components for wear or leaks.

Important: Never check for leaks using an open flame.

Important: Never use bare hands when checking the fitting or valve. Escaping LPG vapor and liquid freezes skin on contact.

- **Inspecting before each use:**

- Visually inspect the tank, hose, and fitting and be alert to a foul odor coming from the tank.
- The LPG tank should be free of dents or damage. If the tank show signs of dents or damage, replace it immediately.
- Check the valve and fitting openings for dirt and debris.
- Slowly open the valve all the way and listen for a continuous hiss from the regulator, it may indicate a leak.
- LPG has a rotten egg or skunk smell added to it to help detect a gas leak. If you detect a gas leak:
 - ◇ Turn off the LPG valve if you can safely do so.
 - ◇ Leave the area.
 - ◇ Contact trained and qualified personnel immediately.
- Do Not use if the hoses are abraded, damaged, kinked, or flattened.
- Make sure the tank is securely mounted to the mower. If the tank is loose, the hose or fittings may leak.

- **Inspecting with each tank change:**

- Check all gauges, fittings, and valves for damage.
- Look for deterioration, damaged or missing o-rings on tank connection fitting.
- Inspect the LPG tank and the fuel connection joint for leaks. Use the following procedure below to detect leaks:

- ◇ Apply an approved leak detector solution, obtained from a trained and qualified LPG distributor, or a thick non-ammonia soapy water solution (50% non-ammonia soap and 50% water). (A leak detector solution that contains ammonia will cause the fittings to corrode and leak.)
- ◇ Using a small brush or spray bottle, apply the solution around all the fittings of the LPG tank and the fuel connection joint.
- ◇ Slowly open the gas valve a half-turn.
- ◇ If bubbles are detected, the joint or fitting has a leak. Shut off the valve, tighten the leaking connection, and slowly open the valve again. If bubbles still appear, Do Not use the tank. If it is safe to do so, remove the tank from your mower; otherwise, contact trained and qualified personnel immediately.
- ◇ If no bubbles are detected, the LPG tank may be used.

- **Inspecting weekly:**

- Check the LPG hoses, regulator and connections for damage or deterioration.
- Check the LPG hoses, regulator and connections for leaks at all joints using the same method as described in the previous section.
- Follow all the inspection checks as specified in the two previous inspection sections.

- **Tank Requalification:**

- USDOT (United States Department of Transportation) regulations require LPG tanks to be inspected, requalified, and marked within 12 years of the manufacture date and on a regular basis thereafter. Typically this occurs when the tank is refilled; contact a trained and qualified LPG tank provider for more details.
- Do Not fill the LPG tank if it is beyond the requalification period.
- Do Not fill damaged or rusted LPG tanks.

Electrical System Maintenance

Servicing the Battery

Service Interval: Monthly

WARNING

CALIFORNIA Proposition 65 Warning

Battery posts, terminals, and related accessories contain lead and lead compounds, chemicals known to the State of California to cause cancer and reproductive harm.

Wash hands after handling.

⚠ DANGER

Battery electrolyte contains sulfuric acid which is a deadly poison and causes severe burns.

Do not drink electrolyte and avoid contact with skin, eyes or clothing. Wear safety glasses to shield your eyes and rubber gloves to protect your hands.

Removing the Battery

⚠ WARNING

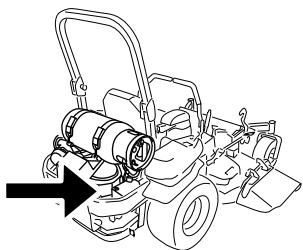
Battery terminals or metal tools could short against metal machine components causing sparks. Sparks can cause the battery gasses to explode, resulting in personal injury.

- When removing or installing the battery, do not allow the battery terminals to touch any metal parts of the machine.
- Do not allow metal tools to short between the battery terminals and metal parts of the machine.

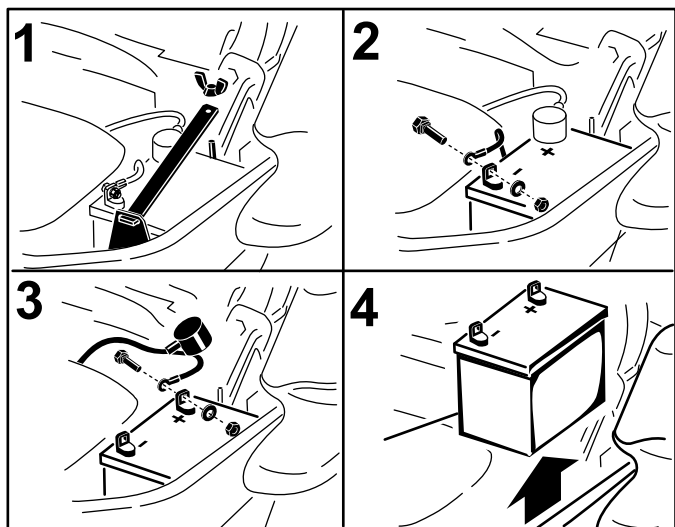
⚠ WARNING

Incorrect battery cable routing could damage the machine and cables causing sparks. Sparks can cause the battery gasses to explode, resulting in personal injury.

- Always Disconnect the negative (black) battery cable before disconnecting the positive (red) cable.
 - Always Reconnect the positive (red) battery cable before reconnecting the negative (black) cable.
1. Disengage the blade control switch (PTO), move the motion control levers to the neutral locked position and set the parking brake.
 2. Stop the engine, remove the key, and wait for all moving parts to stop before leaving the operating position.
 3. First disconnect the negative battery cable (black) from the negative (-)(black) battery terminal (Figure 54).
 4. Slide the red terminal boot off the positive (red) battery terminal and remove the positive (+)(red) battery cable (Figure 54).
 5. Remove the wing nut securing the battery clamp (Figure 54).
 6. Remove the clamp (Figure 54).
 7. Remove the battery.



G013447



G008964

Figure 54

- | | |
|--|--------------------------------------|
| 1. Remove the wing nut and clamp | 3. Remove the positive battery cable |
| 2. Remove the negative battery cable before the positive | 4. Remove battery |

Installing the Battery

1. Position battery in the tray with the terminal posts opposite from the hydraulic tank (Figure 54).
2. First, install the positive (red) battery cable to positive (+) battery terminal.
3. Then install the negative (black) battery cable and ground wire to the negative (-) battery terminal.
4. Secure the cables with 2 bolts, 2 washers, and 2 locknuts (Figure 54).
5. Slide the red terminal boot onto the positive (red) battery post.
6. Install the clamp and secure it with the wing nut (Figure 54).

Charging the Battery

⚠ WARNING

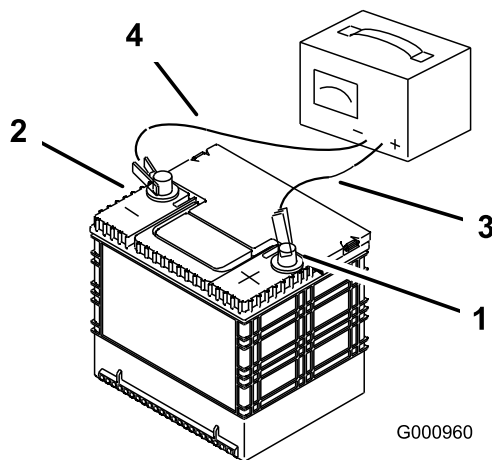
Charging the battery produces gasses that can explode.

Never smoke near the battery and keep sparks and flames away from battery.

Important: Always keep the battery fully charged (1.265 specific gravity). This is especially important to prevent battery damage when the temperature is below 32°F (0°C).

1. Charge battery for 10 to 15 minutes at 25 to 30 amps or 30 minutes at 10 amps.
2. When the battery is fully charged, unplug the charger from the electrical outlet, then disconnect the charger leads from the battery posts (Figure 55).
3. Install the battery in the machine and connect the battery cables, refer to Installing the Battery.

Note: Do not run the machine with the battery disconnected, electrical damage may occur.



G000960

Figure 55

- | | |
|--------------------------|---------------------------|
| 1. Positive Battery Post | 3. Red (+) Charger Lead |
| 2. Negative Battery Post | 4. Black (-) Charger Lead |

Servicing the Fuses

The electrical system is protected by fuses. It requires no maintenance, however, if a fuse blows check the component/circuit for a malfunction or short.

1. The fuses are located on right hand console next to the seat (Figure 56).
2. To replace the fuses, pull out on the fuse to remove it.
3. Install a new fuse (Figure 56).

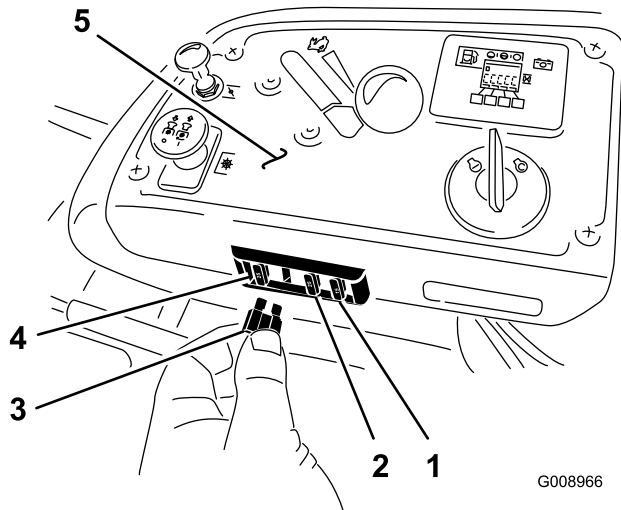


Figure 56

- | | |
|------------------------------|---------------|
| 1. Optional accessory-15 amp | 4. Main-25amp |
| 2. Charge-25amp | 5. Console |
| 3. PTO-10amp | |

Drive System Maintenance

Checking the Seat Belt

Service Interval: Before each use or daily

Visually inspect seat belt for wear, cuts, and proper operation of retractor and buckle. Replace before operating if damaged.

Checking the Rollover Protection System (ROPS) Knobs

Service Interval: Before each use or daily

Check that both the mounting hardware and the knobs are in good working condition. Make sure the knobs are fully engaged with the ROPS in the raised position. The upper hoop of the roll bar may need to be pushed forward or pulled rearward to get both knobs fully engaged.

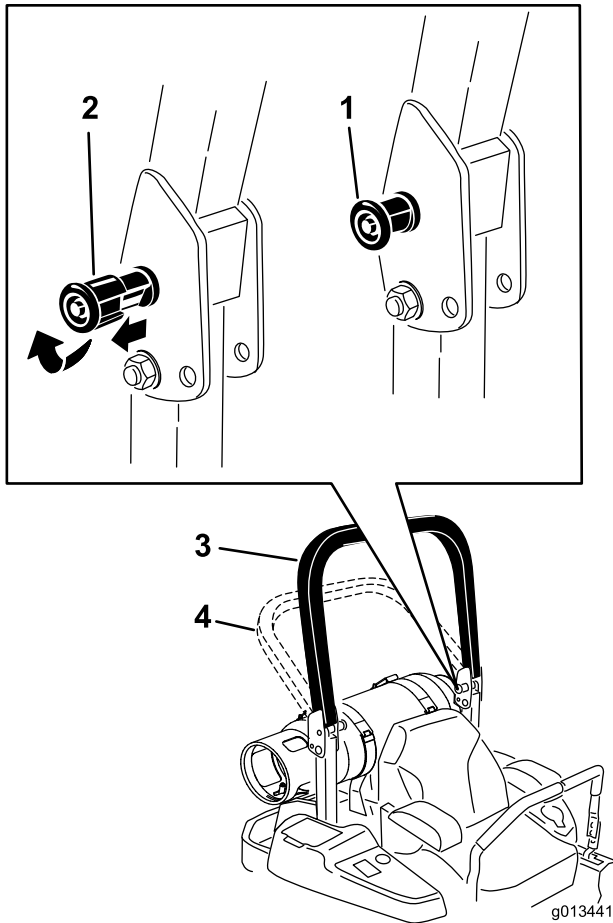


Figure 57

1. ROPS knob (locked position)
2. Pull ROPS knob out and rotate 90 degrees to change roll bar position
3. Roll bar in the upright position
4. Roll bar in the folded position

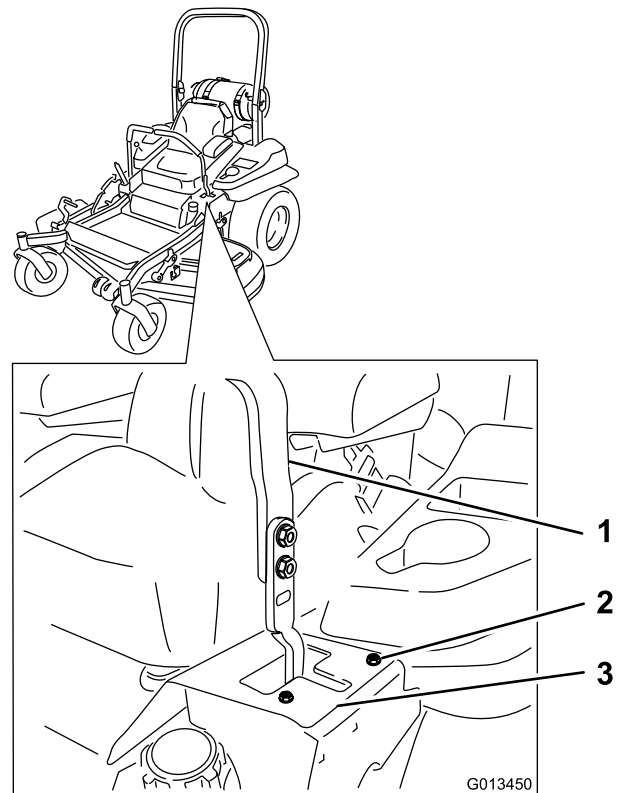


Figure 58

Left control lever shown

1. Control lever
2. Bolt
3. Stop plate

Adjusting the Tracking

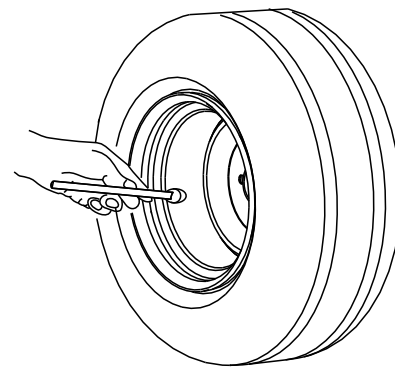
1. Disengage the blade control switch (PTO).
2. Drive to an open flat area, move the motion control levers to the neutral locked position.
3. Move the throttle midway between fast and slow.
4. Move both motion control levers all the way forward until they both hit the stops in the T-slot.
5. Check which way the machine tracks.
6. If it tracks to the right, loosen the bolts and adjust the left stop plate rearward on the left T-slot until the machine tracks straight (Figure 58).
7. If it tracks to the left, loosen the bolts and adjust the right stop plate rearward on the right T-slot until the machine tracks straight (Figure 58).
8. Tighten the stop plate (Figure 58).

Checking the Tire Pressure

Service Interval: Every 50 hours/Monthly (whichever comes first)

Maintain the air pressure in the rear tires at 13 psi (90 kPa). Uneven tire pressure can cause uneven cut. Check the tires when they are cold to get the most accurate pressure reading.

Note: The front tires are semi-pneumatic tires and do not require air pressure maintenance.



G001055

Figure 59

Checking the Wheel Hub Slotted Nut

Service Interval: After the first 100 hours
Every 500 hours

See Figure 60 to determine which slotted nut has been installed on the unit.

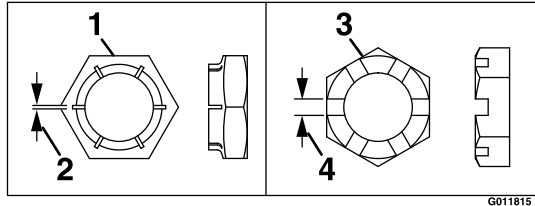


Figure 60

- | | |
|---------------------------|--------------------------|
| 1. Style A (black finish) | 3. Style B (yellow zinc) |
| 2. .03 inch (.76 mm) | 4. .24 inch (6 mm) |

- **Style A (black finish):**

Torque the slotted nut to 211-260 ft-lb (286-352 N-m).

Note: Do Not use anti-seize on wheel hub.

- **Style B (yellow zinc):**

1. Remove and discard the cotter pin.
2. Torque the slotted nut to 200 ft-lb (271 N-m).
3. Check distance from bottom of slot in nut to inside edge of hole. Two threads (0.1 inch) or less should be showing.

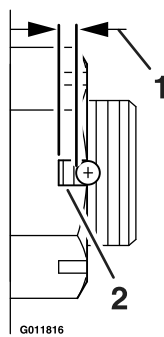


Figure 61

- | | |
|-----------------|--|
| 1. 0.1 inch max | 2. No more than two threads (0.1 inch max) should be showing here. |
|-----------------|--|

4. If more than two threads (0.1 inch) are showing remove nut and install washer between hub and nut.
5. Torque the slotted nut to 200 ft-lb (271 N-m).
6. Then tighten nut until the next set of slots line up with the cross hole in shaft. Do not loosen

nut to align the slot. If required, tighten to the next set of slots.

7. Install a new cotter pin.

Note: Do Not use anti-seize on wheel hub.

Adjusting the Caster Pivot Bearing

Service Interval: Every 500 hours/Yearly (whichever comes first)

1. Disengage the blade control switch (PTO), move the motion control levers to the neutral locked position and set the parking brake.
2. Stop the engine, remove the key, and wait for all moving parts to stop before leaving the operating position.
3. Remove the dust cap from caster and tighten lock nut (Figure 62).
4. Tighten the locknut until the spring washers are flat and then back off a 1/4 turn to properly set the pre-load on the bearings (Figure 62).

Important: Make sure the spring washers are installed correctly as shown in Figure 62.

5. Install the dust cap (Figure 62).

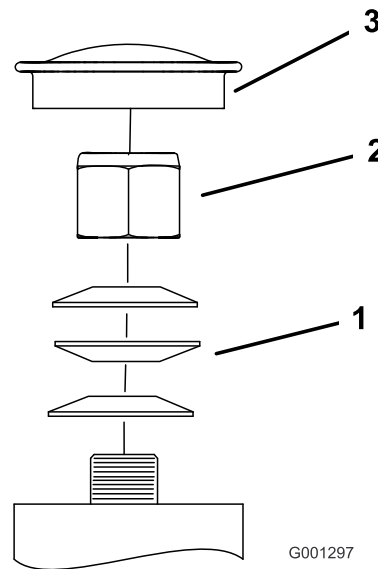


Figure 62

- | | |
|-------------------|-------------|
| 1. Spring Washers | 3. Dust Cap |
| 2. Lock Nut | |

Using the Clutch Shim

Some later model year units have been built with clutches that contain a brake shim. When the clutch brake has worn to the point where the clutch no longer

engages consistently, the shim can be removed to extend the clutch life.

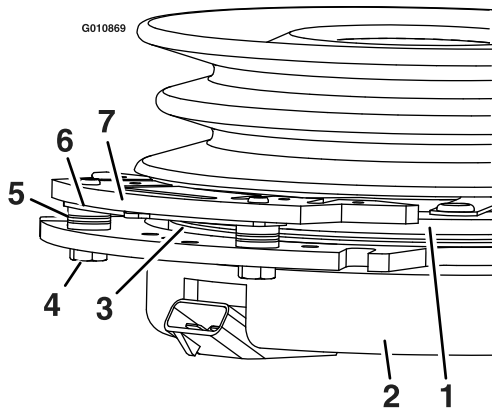


Figure 63

- | | |
|------------------------|-----------------|
| 1. Armature | 5. Brake spacer |
| 2. Field shell | 6. Re-gap shim |
| 3. Rotor | 7. Brake pole |
| 4. Brake mounting bolt | |

Removing the Clutch Shim

1. Stop the engine, wait for all moving parts to stop, and remove the key. Engage the parking brake. Allow the machine to cool completely before starting these instructions.
2. Using an air compressor, blow out any debris from under the brake pole and around the brake spacers.

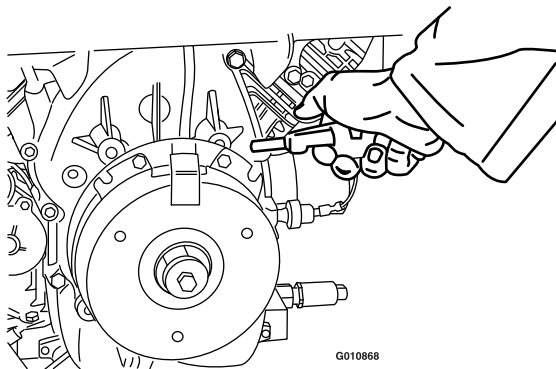


Figure 64

3. Check the condition of the wire harness leads, connectors, and terminals. Clean or repair as necessary.
4. Verify that 12V is present at the clutch connector when the PTO switch is engaged.
5. Measure the gap between the rotor and armature. If the gap is greater than .04 inch (1 mm), proceed with the following steps:
 - A. Loosen both brake mounting bolts one-half to one full turn as shown below.

Note: Do Not remove the brake pole from the field shell/armature. The brake pole has worn to match the armature and needs to continue to match after the shim is removed to ensure proper brake torque.

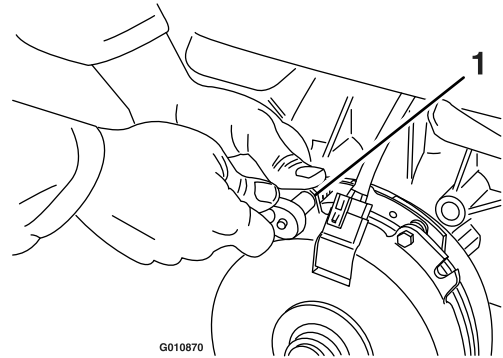


Figure 65

1. Brake mounting bolt

- B. Using needle nose pliers, or by hand, take hold of the tab and remove the shim (Do Not discard the shim until proper clutch function has been confirmed).

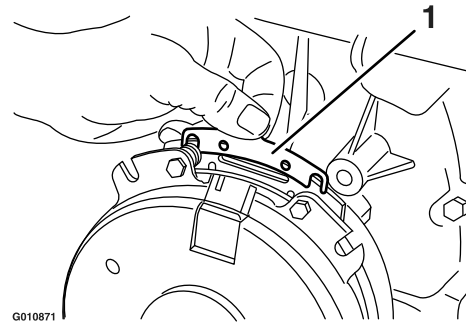


Figure 66

1. Shim

- C. Using a pneumatic line, blow out any debris from under the brake pole and around the brake spacers.
- D. Re-torque each bolt (M6 x 1) to 10 ft-lb (13 N-m) +/-0.5 ft-lb (0.7 N-m).
- E. Using a 0.010 inch thick feeler gauge, verify that a gap is present between the rotor and armature face on both sides of the brake pole as shown. (Due to the way the rotor and armature faces wear (peaks and valleys) it is sometimes difficult to measure the true gap.)

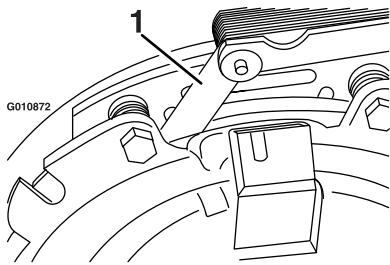


Figure 67

1. Feeler gauge

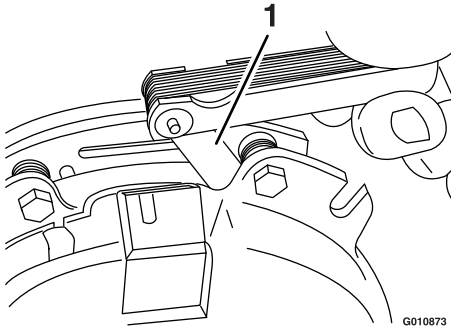


Figure 68

1. Feeler gauge

- If the gap is less than 0.010 inch, then reinstall the shim and reference the **Troubleshooting** section.
- If the gap is sufficient, proceed to the safety check in step F.

F. Perform the following safety check:

- a. Sit on the seat and start the engine.
- b. Make sure the blades Do Not engage with the PTO switch “off” and the clutch disengaged.

If the clutch does not disengage, reinstall the shim and reference the **Troubleshooting** section.

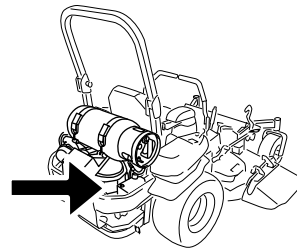
- c. Engage and disengage the PTO switch ten consecutive times to ensure the clutch is functioning properly. If the clutch does not engage properly, reference the **Troubleshooting** section.

Cooling System Maintenance

Cleaning the Engine Screen and Engine Oil Cooler

Service Interval: Before each use or daily

Remove any build-up of grass, dirt or other debris from the oil cooler (Figure 69).



G013447

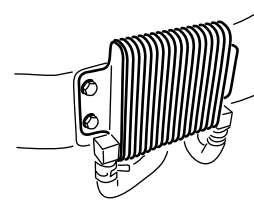


Figure 69

G009191

Before each use remove any build-up of grass, dirt or other debris from the engine screen. This will help insure adequate cooling and correct engine speed and will reduce the possibility of overheating and mechanical damage to the engine (Figure 70).

Cleaning the Engine Cooling Fins and Shrouds

Service Interval: Every 100 hours/Yearly (whichever comes first)

1. Disengage the PTO and set the parking brake.
2. Stop the engine, remove the key, and wait for all moving parts to stop before leaving the operating position.
3. Remove the air intake screen, recoil starter and fan housing (Figure 70).
4. Clean the debris and grass from the engine parts.
5. Install air intake screen, recoil starter and fan housing (Figure 70).

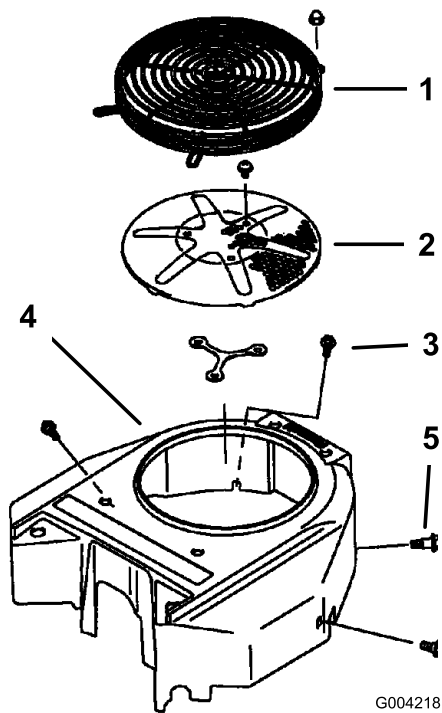
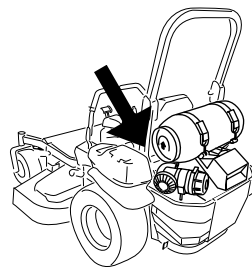


Figure 70

- | | |
|-----------------------------|----------------|
| 1. Engine guard | 4. Fan housing |
| 2. Engine air intake screen | 5. Screw |
| 3. Bolt | |



G013448

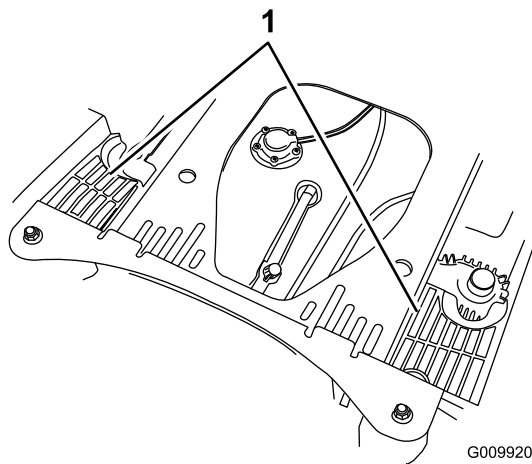


Figure 71

1. Hydraulic unit shrouds

G009920

Check and Clean the Hydraulic Unit Shrouds

Service Interval: Before each use or daily

1. Disengage the PTO and set the parking brake.
2. Stop the engine, remove the key, and wait for all moving parts to stop before leaving the operating position.
3. Raise the seat.
4. Clean the debris and grass from the hydraulic unit shrouds (Figure 71).
5. Lower the seat.

Brake Maintenance

Adjusting the Parking Brake

Service Interval: After the first 100 hours
Every 500 hours

▲ DANGER

Mechanical or hydraulic jacks may fail to support machine and cause a serious injury.

- Use jack stand when supporting machine.
- Do not use hydraulic jacks.

Check to make sure the brake is adjusted properly.

1. Drive the machine onto a level surface.
2. Disengage the blade control switch (PTO), move the motion control levers to the neutral locked position and set the parking brake.
3. Stop the engine, wait for all the moving parts to stop, and remove the key.
4. Raise the back of the machine up and support the machine with jack stands.
5. Remove the rear tires from the machine.
6. Remove any debris from the brake area.
7. Open the drive wheel release valves. Refer to Using the Drive Wheel Valves in Operation.
8. Disengage the parking brake.
9. Using hands and fingers only, push the caliper lever arm to engage the brake pads on the rotor until the lever stops (Figure 72).

Note the order of the standard nut and lock nut.

10. While holding the lever at the stopped position, use the other hand or fingers to pull the cable threaded end tight through the swivel. Spin the standard nut against the swivel (Figure 72).
11. Try to turn the wheel hub in both directions relative to the caliper. There should be slight movement between them; some friction/resistance is acceptable.
12. If there is no movement between the hub rotor and the caliper then back off the standard nut one turn from the swivel and repeat step 11
13. If the hub rotor moves very freely relative to the caliper, then tighten the standard nut one turn against the swivel and repeat step 11
14. Once step 11 is achieved, hold the threaded rod end with a tool and tighten the lock nut against the

standard nut. Do Not allow the cable to turn when the nuts are tightened.

15. Close the drive wheel release valve. Refer to Using the Drive Wheel Valves in Operation.
16. Repeat on the opposite side of the machine.
17. Install the rear tires and torque the lug nuts to 90-95 ft-lb (122-129 N-m).
18. Remove jack stands.

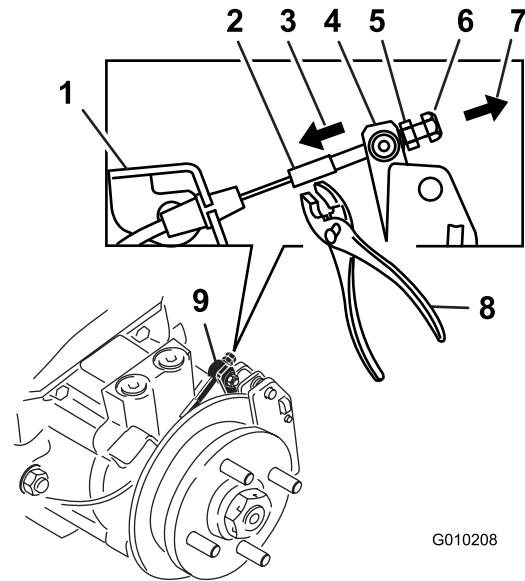


Figure 72
Left Hand Brake Shown

- | | |
|--|---|
| 1. Cable anchor | 6. Lock nut |
| 2. Threaded rod | 7. Pull cable threaded rod this direction |
| 3. Push lever this direction | 8. Hold threaded rod here |
| 4. Caliper lever arm | 9. Swivel (pivot head) |
| 5. Standard nut (shown against swivel) | |

Belt Maintenance

Inspecting the Belts

Service Interval: Every 50 hours

Check the belts for squealing when the belt is rotating, blades slipping when cutting grass, frayed belt edges, burn marks and cracks are signs of a worn mower belt. Replace the mower belt if any of these conditions are evident.

Replacing the Mower Belt

Squealing when the belt is rotating, blades slipping when cutting grass, frayed belt edges, burn marks and cracks are signs of a worn mower belt. Replace the mower belt if any of these conditions are evident.

1. Disengage the PTO, move the motion control levers to the neutral locked position and set the parking brake.
2. Stop the engine, remove the key, and wait for all moving parts to stop before leaving the operating position.
3. Lower the mower to the 3 inch (76mm) height of cut.
4. Remove the belt covers (Figure 73).

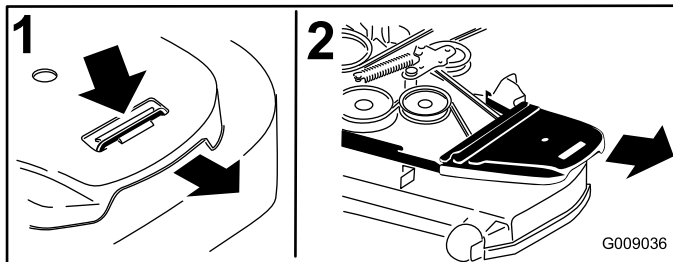


Figure 73

1. Push tab down
2. Remove belt cover

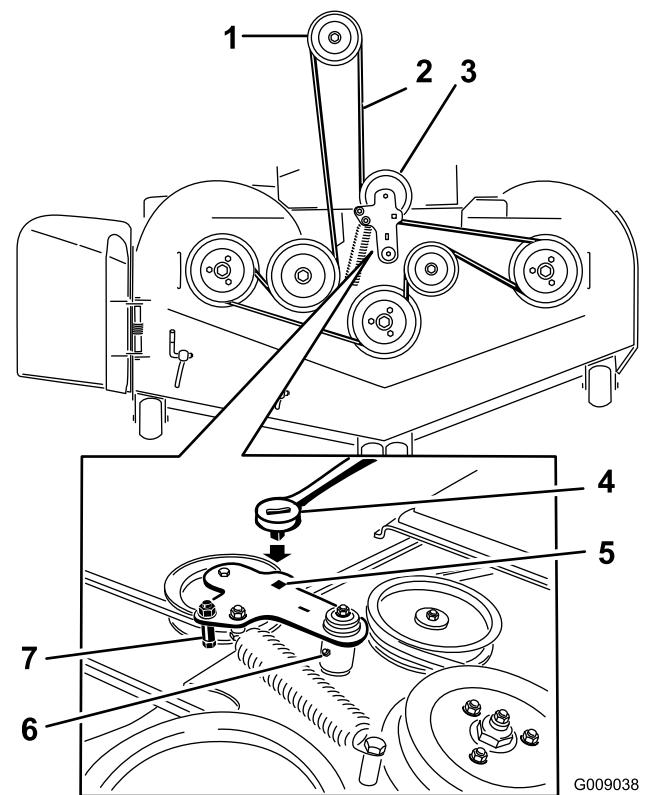


Figure 74

1. Clutch pulley
2. Mower belt
3. Spring loaded idler pulley
4. Ratchet
5. Square hole in the idler arm for the ratchet
6. Idler grease zerk
7. Belt guide

10. Install the belt guide on the idler arm shown in Figure 74.
11. Using the ratchet in the square hole, install the idler spring (Figure 74).
Make sure the spring ends are seated in the anchor grooves.
12. Install the belt covers (Figure 75).

5. Use a ratchet in the square hole in the idler arm to remove tension on the idler spring (Figure 74).
6. Remove the belt from the mower deck pulleys.
7. Remove the belt guide on the spring loaded idler arm shown in Figure 74.
8. Remove the existing belt.
9. Install the new belt around the mower pulleys and the clutch pulley under the engine (Figure 74).

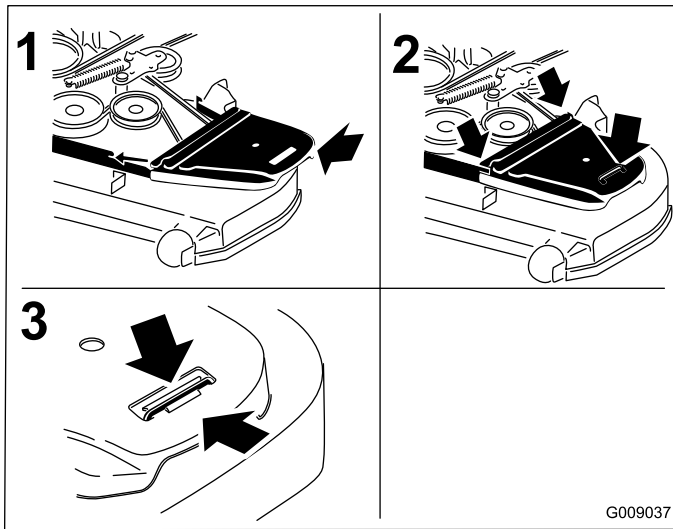


Figure 75

1. Position the belt cover
2. Slide belt cover under the side catches
3. Ensure the tab is under the metal catch

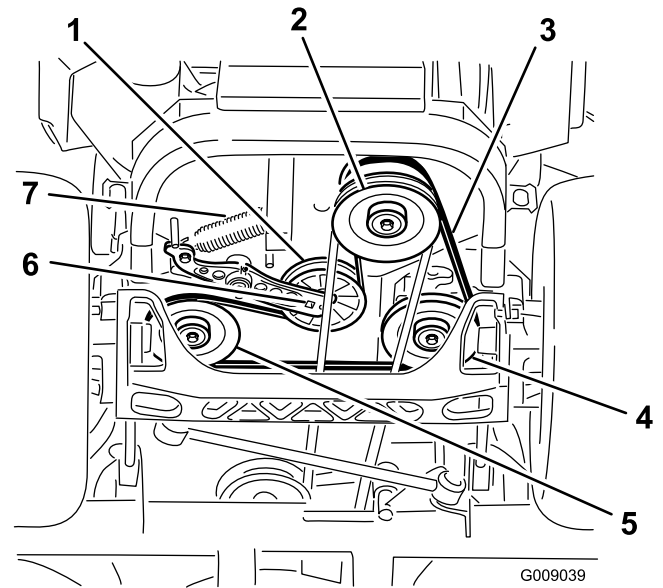


Figure 76

1. Idler pulley
2. Clutch pulley
3. Pump drive belt
4. Right hand hydraulic pump pulley
5. Left hand hydraulic pump pulley
6. Square hole in idler arm
7. Idler spring

Replacing the Hydraulic Pump Drive Belt

1. Disengage the PTO and set the parking brake.
2. Stop the engine, remove the key, and wait for all moving parts to stop before leaving the operating position.
3. Remove mower belt. Refer to Replacing the Mower Belt in Maintenance.
4. Raise the machine and support it with jack stands (Figure 76).
5. Use a ratchet in the square hole in the idler arm to remove the idler spring (Figure 76).
6. Unhook the idler spring from the frame (Figure 76).
7. Remove the belt from the hydraulic unit drive pulleys and the engine pulley
8. Install the new belt around engine pulley and the two drive pulleys.
9. Using a ratchet in the square hole in the idler arm, install the idler spring to the frame (Figure 76).
10. Install the mower belt. Refer to Replacing the Mower Belt.

Controls System Maintenance

Adjusting the Control Handle Position

There are two height positions for the control levers; high and low. Remove the bolts to adjust the height for the operator.

1. Disengage the PTO, move the motion control levers to the neutral locked position, and set the parking brake.
2. Stop the engine, remove the key, and wait for all moving parts to stop before leaving the operating position.
3. Loosen the bolts and flange nuts installed in the levers (Figure 77).
4. Align the levers front to rear position by bring the levers together to the neutral position and slide them until they are aligned, then tighten the bolts (Figure 78).

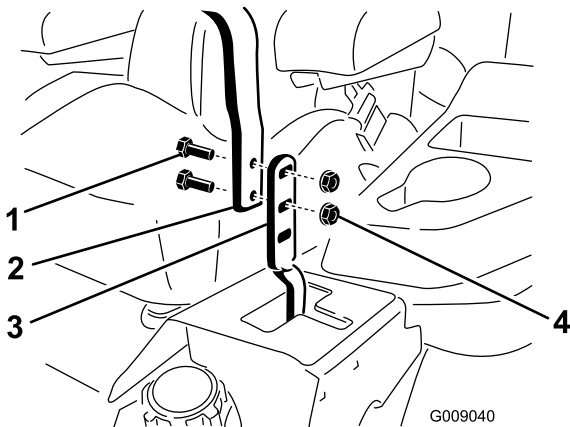


Figure 77

- | | |
|-----------|------------------|
| 1. Bolt | 3. Control lever |
| 2. Handle | 4. Nut |

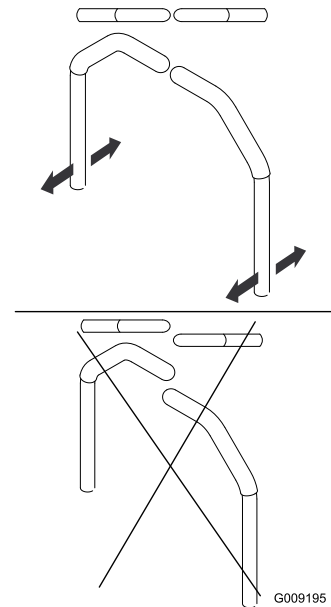


Figure 78

Adjusting the Motion Control Linkage

Located on either side of the fuel tank, below the seat are the pump control linkages. Rotating the pump linkage with a 1/2 inch wrench allows fine tuning adjustments so that the machine does not move in neutral. Any adjustments should be made for neutral positioning only.

⚠ WARNING

Engine must be running and drive wheels must be turning so motion control adjustment can be performed. Contact with moving parts or hot surfaces may cause personal injury.

Keep fingers, hands, and clothing clear of rotating components and hot surfaces.

1. Prior to starting the engine, push the deck lift pedal and remove the height of cut pin. Lower deck to the ground.
2. Raise the rear of machine up and support with jack stands (or equivalent support) just high enough to allow drive wheels to turn freely.
3. Remove the electrical connection from the seat safety switch, located under the bottom cushion of the seat. The switch is a part of the seat assembly.
4. **Temporarily** install a jumper wire across the terminals in the connector of the main wiring harness.
5. Start engine. **Brake must be engaged and motion control levers out to start engine. Operator does**

not have to be in the seat because of the jumper wire being used. Run engine at full throttle and release brake.

- Run the unit at least 5 minutes with the drive levers at full forward speed to bring hydraulic oil up to operating temperature.

Note: The motion control lever needs to be in neutral while making any necessary adjustments.

- Bring the motion control levers into the neutral position. Adjust pump control rod lengths by rotating the double nuts on the rod in the appropriate direction until the wheels slightly creep in reverse (Figure 79). Move the motion control levers to the reverse position and while applying slight pressure to the lever allow the reverse indicator springs to bring the levers back to neutral. The wheels must stop turning or slightly creep in reverse.

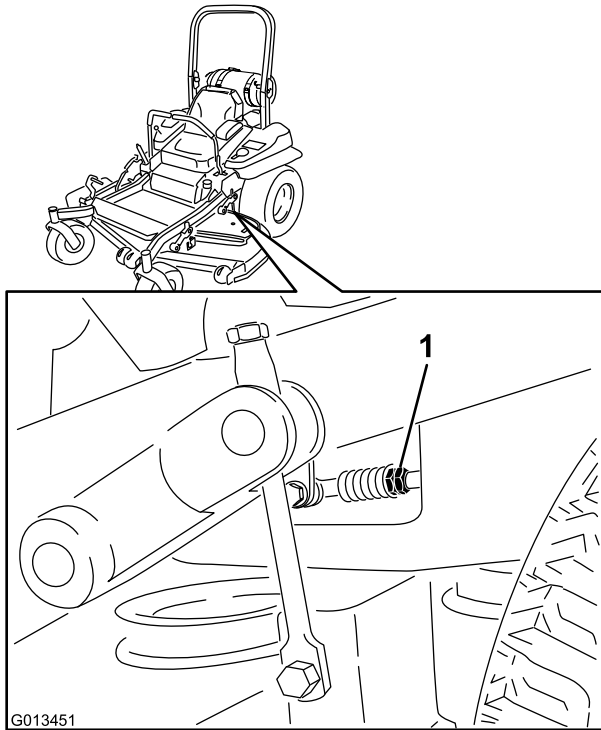


Figure 79

- Double nuts

- Shut off unit. Remove jumper wire from wire harness and plug connector into seat switch.
- Remove the jack stands.
- Raise the deck and re-install the height of cut pin.
- Check that the machine does not creep in neutral with the park brakes disengaged.

Adjusting the Motion Control Damper

The top damper mounting bolt can be adjusted to obtain a more desired motion control lever resistance. See Figure 80 for mounting options.

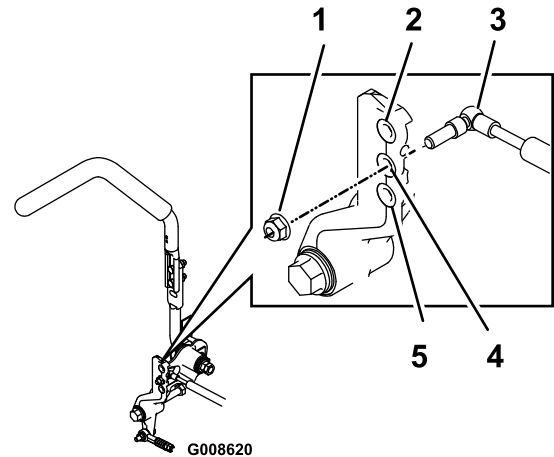


Figure 80

RH Motion Control Shown

- Torque the lock nut to 200 in-lb (16.7 ft-lb). Bolt must protrude past end of locknut after torque.
- Most resistance (firmest feel)
- Damper
- Medium resistance (medium feel)
- Least resistance (softest feel)

Adjusting the Motion Control Neutral Lock Pivot

The flanged nut can be adjusted to obtain a more desired motion control lever resistance when moving it to the neutral lock position. See Figure 81 for adjustment options.

- Loosen the jam nut.
- Tighten or loosen the flanged nut to the desired feel.
For more resistance, tighten the flanged nut.
For less resistance, loosen the flanged nut
- Tighten jam nut.

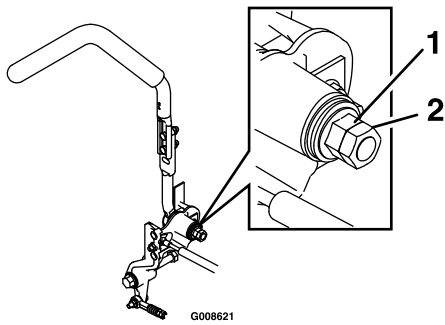


Figure 81

1. Flanged nut

2. Jam nut

Hydraulic System Maintenance

Servicing the Hydraulic System

Hydraulic Oil Type: Toro® HYPR-OIL™ 500 hydraulic oil or Mobil® 1 15W-50.

Important: Use oil specified. Other fluids could cause system damage.

Each Hydraulic System Oil Capacity: 52 ounces (1.5 l) per side with filter change

Checking the Hydraulic Oil

Service Interval: Every 50 hours—Check the hydraulic oil level.

1. Position the machine on a level surface.
 2. Disengage the PTO, move the motion control levers to the neutral locked position and set the parking brake.
 3. Stop the engine, remove the key, and wait for all moving parts to stop before leaving the operating position.
 4. Allow the engine and hydraulic system to cool for ten minutes.
 5. Raise the seat up.
 6. Clean the area around the dipsticks of hydraulic system reservoirs (Figure 82).
 7. Remove one dipstick from the hydraulic reservoir (Figure 82).
 8. Wipe the dipstick off and thread the dipstick into the reservoir.
 9. Remove the dipstick and look at the metal end (Figure 82). The level needs to be within knurled section. If oil level is low, slowly pour only enough oil into the hydraulic reservoir to raise the level to the knurled section.
- Important:** Do not overfill the hydraulic units with oil as damage may occur. Do not run the machine with oil below the knurled section because damage may occur.
10. Install the dipstick.

Replacing the Hydraulic Filters and Hydraulic Oil

Service Interval: Every 250 hours

Every 500 hours

To replace the hydraulic oil, the filters need to be removed. Replace both at the same time. Refer to the oil specifications under Servicing the Hydraulic System for the correct oil.

1. Disengage the blade control switch (PTO), move the motion control levers to the neutral locked position and set the parking brake.
2. Stop the engine, remove the key, and wait for all moving parts to stop before leaving the operating position.
3. Raise the machine and support it with jack stands (Figure 83).

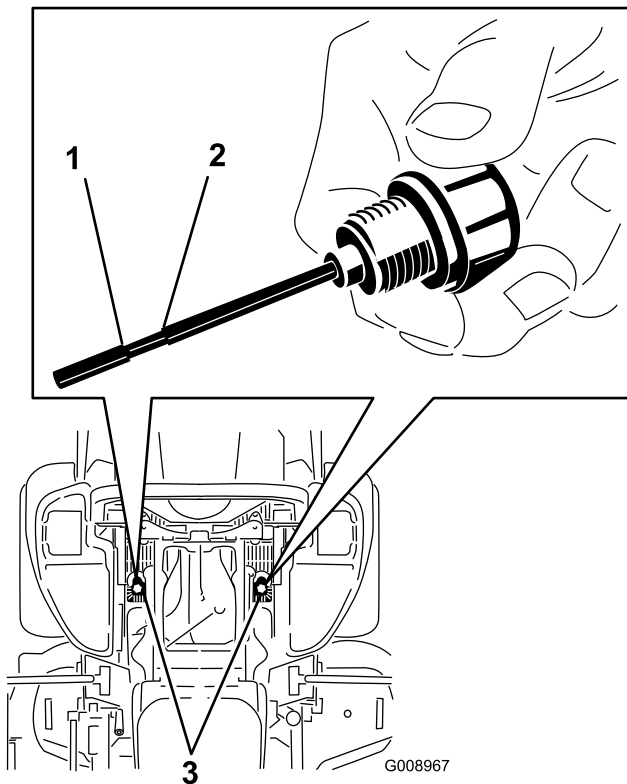


Figure 82

Topview (under seat)

1. Oil needs to be within knurled section
2. Dipstick locations

⚠ WARNING

Hydraulic oil escaping under pressure can penetrate skin and cause injury.

- If hydraulic oil is injected into the skin it must be surgically removed within a few hours by a doctor familiar with this type of injury. Gangrene may result if this is not done.
- Keep body and hands away from pin hole leaks or nozzles that eject high pressure hydraulic oil.
- Use cardboard or paper to find hydraulic leaks.
- Safely relieve all pressure in the hydraulic system before performing any work on the hydraulic system.
- Make sure all hydraulic oil hoses and lines are in good condition and all hydraulic connections and fittings are tight before applying pressure to hydraulic system.

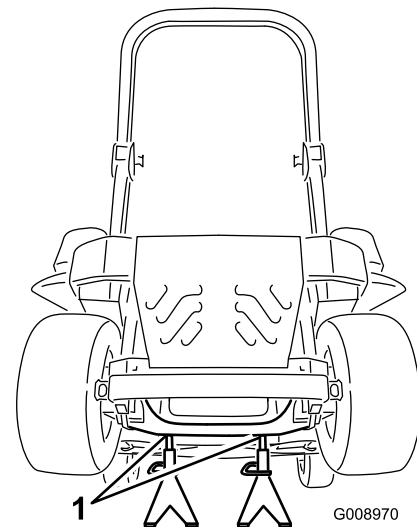


Figure 83

1. Jack stands

4. Remove both the mower belt and the pump drive belt. This will prevent oil getting on the belts. Refer to Belts in the Maintenance Section.
5. Place a drain pan under the filter, remove the old filter and wipe the surface clean (Figure 84).

Mower Deck Maintenance

Leveling the Mower Deck

Setting Up the Machine

Note: Ensure the mower deck is leveled before matching the height-of-cut (HOC).

1. Position mower on a flat surface.
2. Disengage the blade control switch (PTO), move the motion control levers to the neutral locked position and set the parking brake.
3. Stop the engine, remove the key, and wait for all moving parts to stop before leaving the operating position.
4. Check tire pressure of the drive tires. If needed, adjust to 13 psi (90 kPa)
5. Position the mower to the 3 inch (76 mm) height-of-cut position.

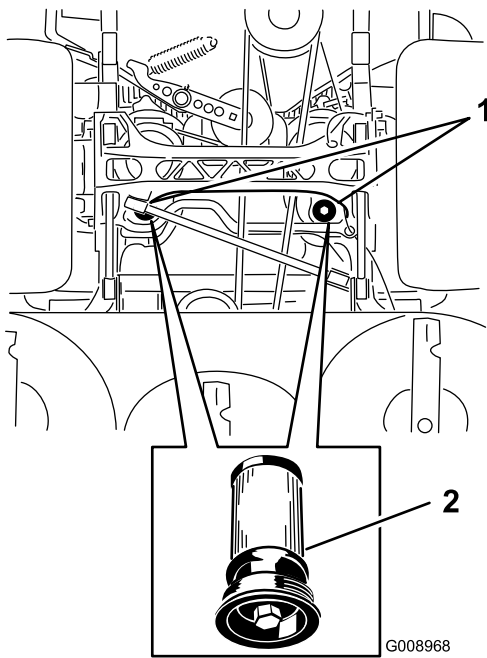


Figure 84

Bottom View of Machine

1. Filter locations
2. Hydraulic filter

6. Apply a thin coat of hydraulic oil to the rubber gasket on the replacement filter (Figure 84).
7. Install the replacement hydraulic filter.
8. Install the pump drive belt and the mower belt.
9. Remove the jack stands and lower the machine (Figure 83).
10. Add oil to the hydraulic reservoir and check for any leaks.
11. Clean up any spilled oil.
12. Start the engine and let it run for about two minutes to purge air from the system. Stop the engine and check for leaks.
13. Check the oil level while the oil is cold.
14. If required, add oil to the hydraulic reservoir. Do not overfill.

Deck Leveling

1. Position the mower on a flat surface.
2. Stop engine, wait for all moving parts to stop, and remove key. Engage parking brake.
3. Check the tire pressure in the drive tires. Proper inflation pressure for tires is 13 psi (90 kPa). Adjust if necessary.
4. Position the transport lock in the latching position.
5. Push the deck lift pedal all the way forward and the deck will latch at the 5 1/2 inch (14 cm) transport position (Figure 85).

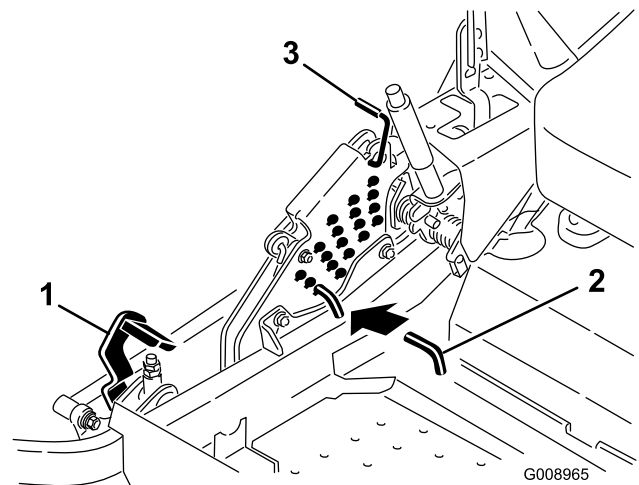


Figure 85

1. Deck lift pedal
2. Height of cut pin
3. Transport lock

6. Insert the height adjustment pin into the 3 inch (7.6 cm) cutting height location.
7. Release the transport lock and allow the deck to lower to the cutting height.
8. Raise the discharge chute.
9. On both sides of the deck, measure from the level surface to the front tip of the blade (Position A). The measurement should read 3 inches (7.6 mm) (Figure 86).

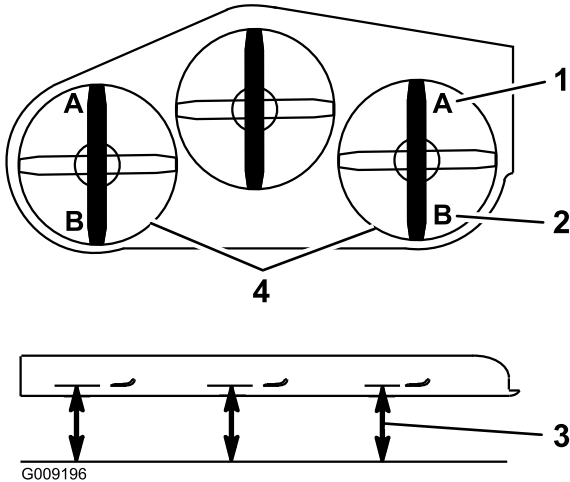


Figure 86

- | | |
|--|--|
| 1. 3 inches (7.6 cm) at A is correct | 3. Measure here from the blade tip to hard surface |
| 2. 3 1/4 inches (8.3 cm) at B is correct | 4. Measure at A and B on both sides |

10. Fine-tune the adjustment nut on the front deck lift assembly by turning it (Figure 87).

To increase the height, turn the adjustment nut clockwise; to decrease, turn counterclockwise.

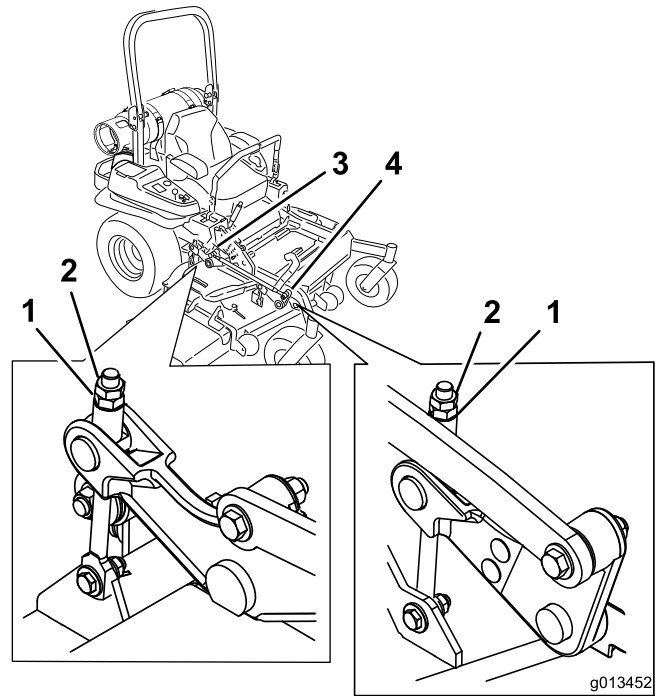


Figure 87

- | | |
|-------------------|--------------------------|
| 1. Adjustment nut | 3. Rear deck adjustment |
| 2. Jam Nut | 4. Front deck adjustment |

11. If the front deck links do not have enough adjustment to achieve accurate cut height, the single point adjustment can be utilized to gain more adjustment.
12. To adjust the single point system, loosen the two bolts at the bottom of the height of cut plate. Refer to Figure 88.

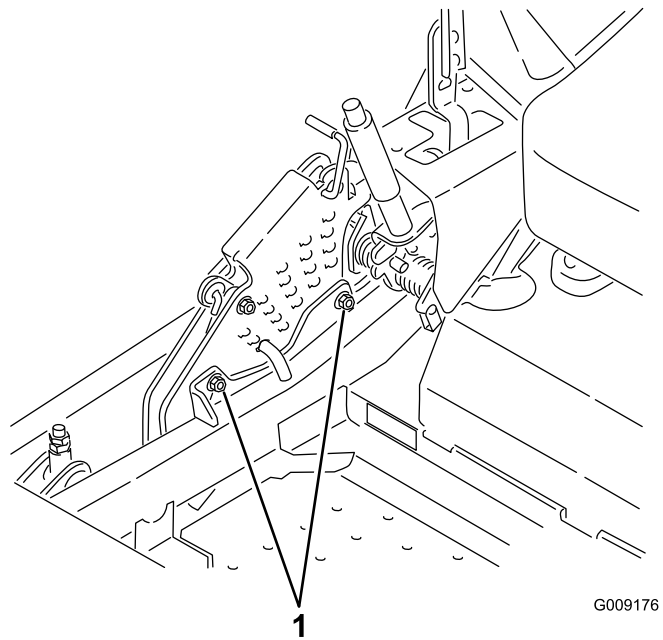


Figure 88

1. Bolts at the bottom of the height-of-cut plate

- If the deck is too low, tighten the single point adjustment bolt by rotating it clockwise. If the deck is too high, loosen the single point adjustment bolt by rotating it counterclockwise (Figure 89).

Note: Loosen or tighten the single point adjustment bolt enough to move the height-of-cut plate mounting bolts at least 1/3 the length of the available travel in their slots. This will regain some up and down adjustment on each of the four deck links.

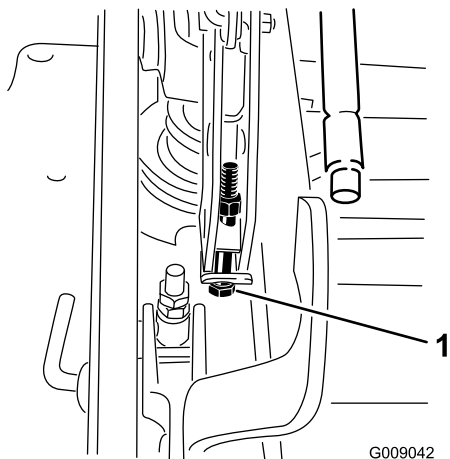


Figure 89

- Single point adjustment bolt

- Tighten the two bolts at the bottom of the height of cut plate (Figure 88). Torque to 27-33 ft-lb (37-45 N-m).

Note: In most conditions, the back blade tip should be adjusted 1/4 inch (6.4 mm) higher than the front.

- On both sides of the deck, measure from the level surface to the back tip of the blade (Position B). The measurement should read 3 1/4 inches (8.3 cm) (Figure 86).
- Fine-tune the adjustment nut on the front deck lift assembly by turning it (Figure 87).
To increase the height, turn the adjustment nut clockwise; to decrease, turn counterclockwise.
- Measure until all four sides are the correct height. Tighten all the jam nuts on the deck lift arm assemblies.
- Lower discharge chute.

Servicing the Cutting Blades

Maintain sharp blades throughout the cutting season because sharp blades cut cleanly without tearing or shredding the grass blades. Tearing and shredding turns grass brown at the edges, which slows growth and increases the chance of disease.

Check the cutter blades daily for sharpness, and for any wear or damage. File down any nicks and sharpen the blades as necessary. If a blade is damaged or worn, replace it immediately with a genuine Toro replacement blade. For convenient sharpening and replacement, you may want to keep extra blades on hand.

▲ DANGER

A worn or damaged blade can break, and a piece of the blade could be thrown into the operator's or bystander's area, resulting in serious personal injury or death.

- Inspect the blade periodically for wear or damage.
- Replace a worn or damaged blade.

Before Inspecting or Servicing the Blades

Park the machine on a level surface, disengage the blade control switch (PTO), and set the parking brake. Turn the ignition key to Off. Remove the key.

Inspecting the Blades

Service Interval: Before each use or daily

- Inspect the cutting edges (Figure 90). If the edges are not sharp or have nicks, remove and sharpen the blades. Refer to Sharpening the Blades.
- Inspect the blades, especially the curved area (Figure 90). If you notice any damage, wear, or a slot forming in this area (Figure 90), immediately install a new blade.

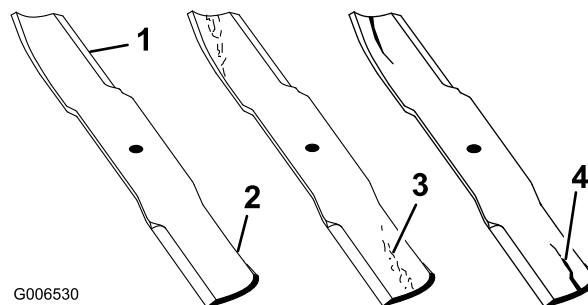


Figure 90

- Cutting Edge
- Curved Area
- Wear/slot Forming
- Crack

Checking for Bent Blades

1. Disengage the blade control switch (PTO), move the motion control levers to the neutral locked position and set the parking brake.
2. Stop the engine, remove the key, and wait for all moving parts to stop before leaving the operating position.
3. Rotate the blades until the ends face forward and backward (Figure 91). Measure from a level surface to the cutting edge, position **A**, of the blades (Figure 91). Note this dimension.

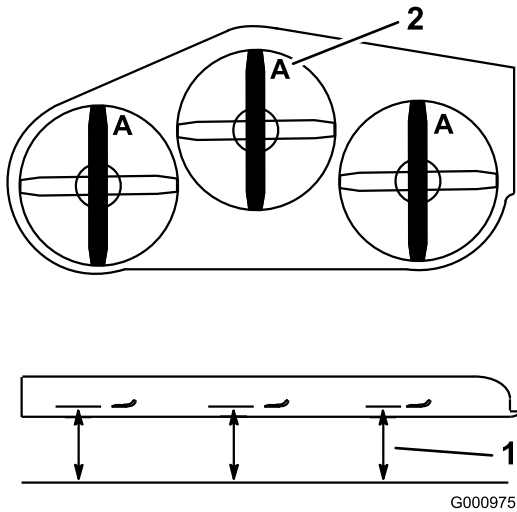


Figure 91

1. Measure here from blade to hard surface
2. Position A

4. Rotate the opposite ends of the blades forward.
5. Measure from a level surface to the cutting edge of the blades at the same position as in step 3 above. The difference between the dimensions obtained in steps 3 and 4 must not exceed 1/8 inch (3 mm). If this dimension exceeds 1/8 inch (3 mm), the blade is bent and must be replaced; refer to Removing the Blades and Installing the Blades.

⚠ WARNING

A blade that is bent or damaged could break apart and could seriously injure or kill you or bystanders.

- Always replace bent or damaged blade with a new blade.
- Never file or create sharp notches in the edges or surfaces of blade.

Removing the Blades

Blades must be replaced if a solid object is hit, if the blade is out of balance or is bent. To ensure optimum

performance and continued safety conformance of the machine, use genuine Toro replacement blades. Replacement blades made by other manufacturers may result in non-conformance with safety standards.

1. Hold the blade end using a rag or thickly-padded glove.
2. Remove the blade bolt, curved washer, and blade from the spindle shaft (Figure 92).

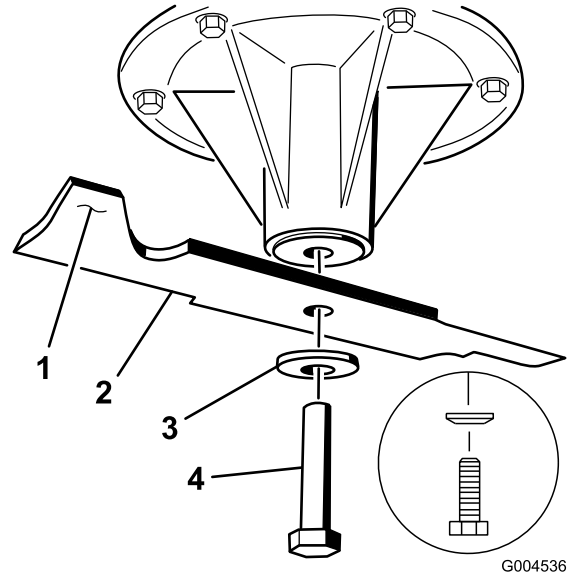


Figure 92

1. Sail Area of Blade
2. Blade
3. Curved washer
4. Blade Bolt

Sharpening the Blades

⚠ WARNING

When sharpening blade, pieces of blade could be thrown and cause serious injury.

Wear proper eye protection when sharpening blade.

1. Use a file to sharpen the cutting edge at both ends of the blade (Figure 93). Maintain the original angle. The blade retains its balance if the same amount of material is removed from both cutting edges.

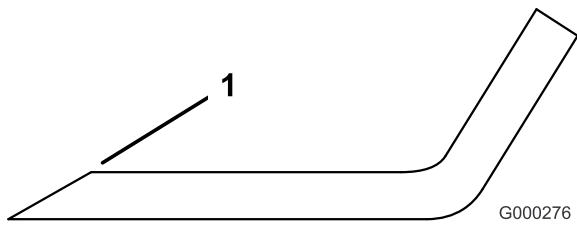


Figure 93

1. Sharpen at original angle

2. Check the balance of the blade by putting it on a blade balancer (Figure 94). If the blade stays in a horizontal position, the blade is balanced and can be used. If the blade is not balanced, file some metal off the end of the sail area only (Figure 95). Repeat this procedure until the blade is balanced.

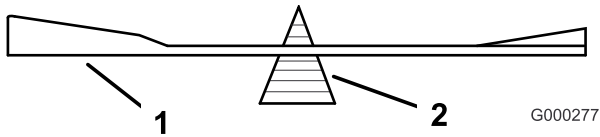


Figure 94

1. Blade
2. Balancer

Installing the Blades

1. Install the blade onto the spindle shaft (Figure 95).

Important: The curved part of the blade must be pointing upward toward the inside of the mower to ensure proper cutting.

2. Install the spring disk and blade bolt. The spring disk cone must be installed toward the bolt head (Figure 95). Torque the blade bolt to 85-110 ft-lb (115-150 N-m).

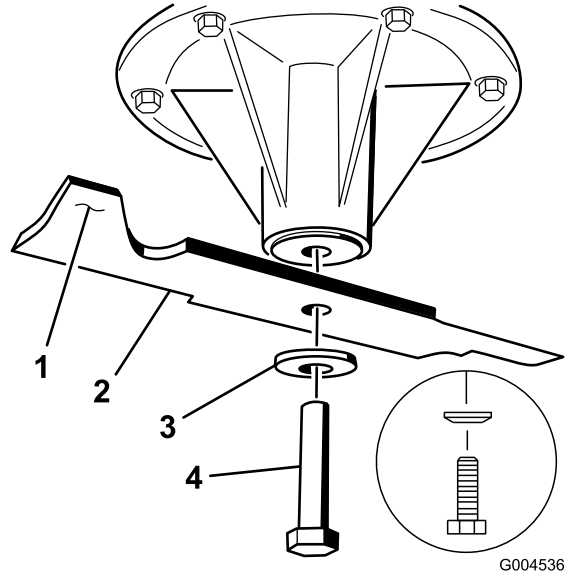


Figure 95

1. Sail Area of Blade
2. Blade
3. Spring Disk
4. Blade Bolt
5. Cone Towards Bolt Head

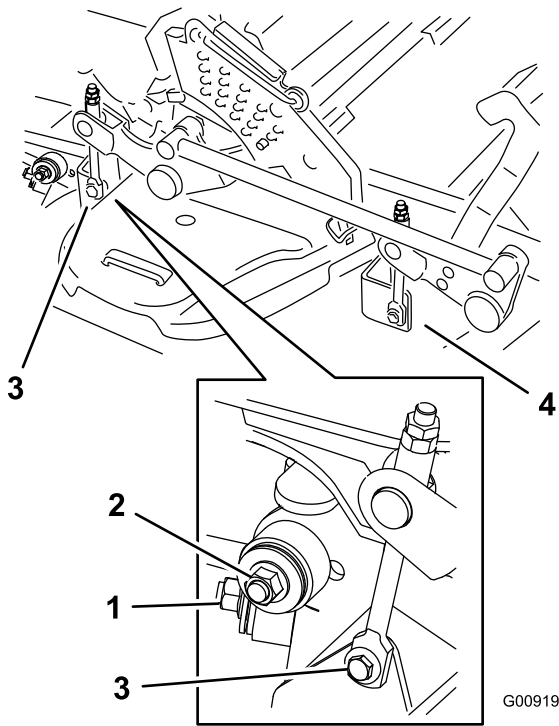


Figure 97

1. Right stabilizer
2. Deck strut (right side shown)
3. Remove the rear deck lift attachment shoulder bolt and nut.
4. Remove the front deck lift attachment shoulder bolt and nut.

8. Raise the deck struts and secure them in the up position. Slide the deck out to the right side of the machine.

Replacing the Grass Deflector

⚠ WARNING

An uncovered discharge opening could allow the lawn mower to throw objects in the operator's or bystander's direction and result in serious injury. Also, contact with the blade could occur.

- Never operate the lawn mower unless you install a cover plate, a mulch plate, or a grass chute and catcher.
- Make sure the grass deflector is in the down position.

1. Remove the locknut, bolt, spring and spacer holding the deflector to the pivot brackets (Figure 98). Remove the damaged or worn grass deflector.
2. Place the spacer and spring onto grass deflector. Place the **L** end of spring behind deck edge.

Note: Make sure the **L** end of the spring is installed behind the deck edge before installing the bolt as shown in Figure 98.

3. Install the bolt and nut. Place the **J** hook end of the spring around the grass deflector (Figure 98).

Important: The grass deflector must be able to lower down into position. Lift the deflector up to test that it lowers into the full down position.

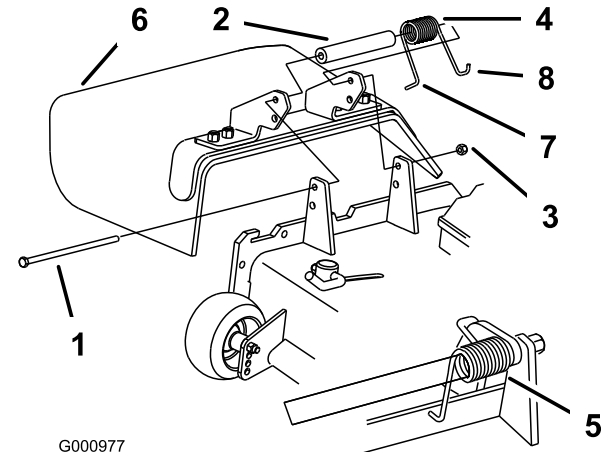


Figure 98

- | | |
|------------|--|
| 1. Bolt | 5. Spring installed |
| 2. Spacer | 6. Grass Deflector |
| 3. Locknut | 7. L end of spring, place behind deck edge before installing bolt |
| 4. Spring | 8. J hook end of spring |

Cleaning

Cleaning Under the Mower

Service Interval: Before each use or daily

1. Disengage the blade control switch (PTO), move the motion control levers to the neutral locked position and set the parking brake.
2. Stop the engine, remove the key, and wait for all moving parts to stop before leaving the operating position.
3. Raise the mower to the transport position.

Waste Disposal

Engine oil, batteries, hydraulic oil, and engine coolant are pollutants to the environment. Dispose of these according to your state and local regulations.

Storage

Cleaning and Storage

Storage areas should be equipped with at least one approved portable fire extinguisher having a minimum capacity of 18 lb (8.2 kg) dry chemical with a B:C rating. Do Not use Carbon Tetrachloride extinguishers (Pyrene etc.).

1. Disengage the power take off (blade control switch (PTO), set the parking brake, and turn the ignition key to Off. Remove the key.
2. Remove grass clippings, dirt, and grime from the external parts of the entire machine, especially the engine and hydraulic system. Clean dirt and chaff from the outside of the engine cylinder head fins and blower housing.

Important: You can wash the machine with mild detergent and water. Do not pressure wash the machine. Avoid excessive use of water, especially near the control panel, engine, hydraulic pumps, and motors.

3. Check the brake; refer to Servicing the Brake in the Maintenance Section.
4. Service the air cleaner; refer to Servicing the Air Cleaner in the Maintenance Section.
5. Grease the machine; refer to Greasing and Lubrication in the Maintenance Section.
6. Change the crankcase oil; refer to Servicing the Engine Oil in the Maintenance Section.
7. Check the tire pressure; refer to Checking the Tire Pressure in the Maintenance Section.
8. Change the hydraulic filters; refer to Servicing the Hydraulic System in the Maintenance Section.
9. Charge the battery; refer to Servicing the Battery in the Maintenance Section.
10. Scrape any heavy buildup of grass and dirt from the underside of the mower, then wash the mower with a garden hose.

Note: Run the machine with the blade control switch (PTO) engaged and the engine at high idle for 2 to 5 minutes after washing.

11. Check the condition of the blades; refer to Servicing the Cutting Blades in the Maintenance Section.
12. Prepare the machine for storage when non-use occurs over 30 days. Restart the engine and run it until it stops.
13. Check and tighten all bolts, nuts, and screws. Repair or replace any part that is damaged.

14. Paint all scratched or bare metal surfaces. Paint is available from your Authorized Service Dealer.
15. Store the machine in a clean, dry garage or storage area. Remove the key from the ignition switch and keep it out of reach of children or other unauthorized users. Cover the machine to protect it and keep it clean.

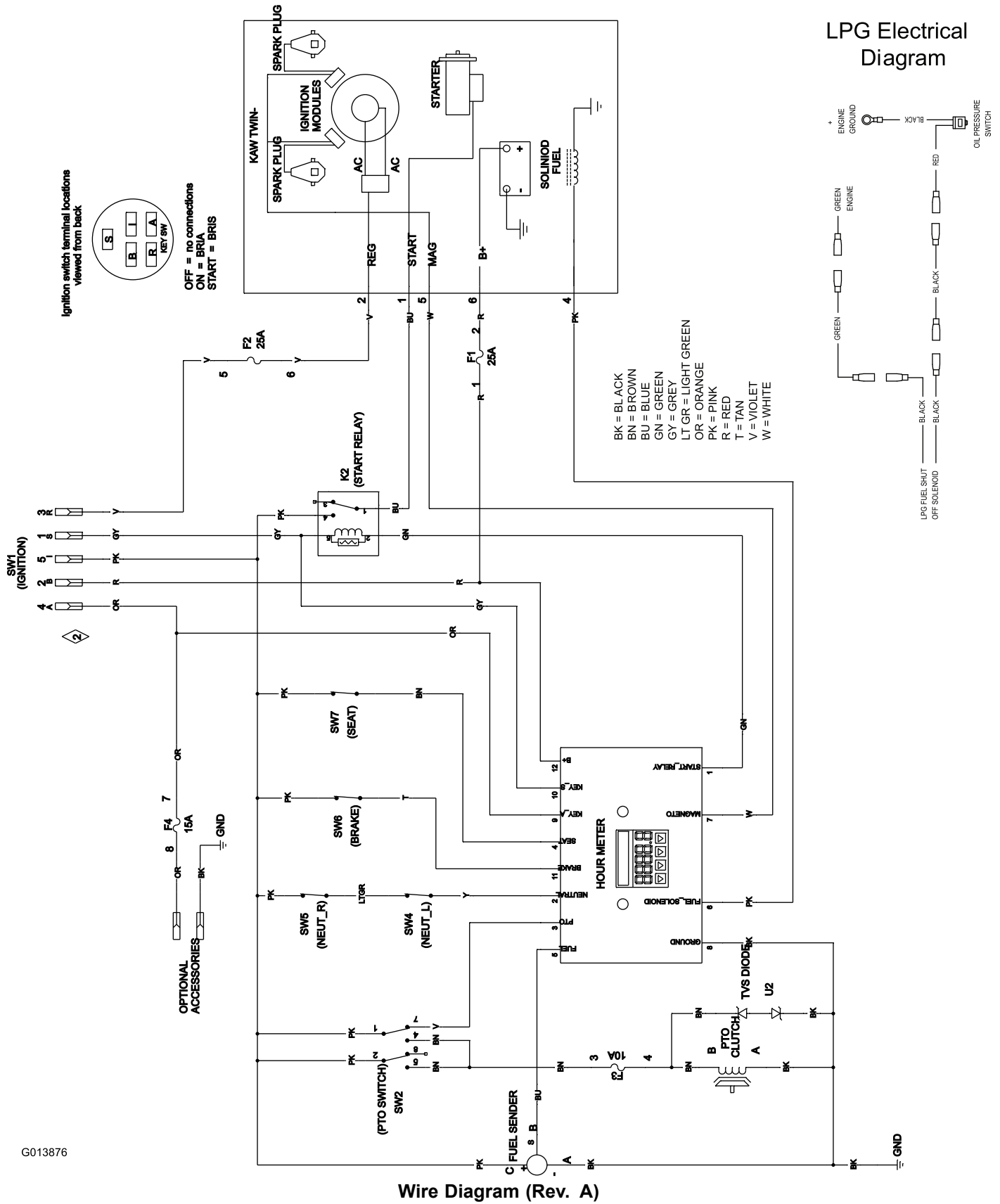
Troubleshooting

Problem	Possible Cause	Corrective Action
Starter does not crank	<ol style="list-style-type: none"> 1. Blade control switch (PTO) is engaged. 2. Parking brake is not on. 3. Drive levers are not in neutral lock position. 4. Operator is not seated. 5. Battery is dead. 6. Electrical connections are corroded or loose. 7. Fuse is blown. 8. Relay or switch is defective. 	<ol style="list-style-type: none"> 1. Move blade control switch (PTO) to disengaged. 2. Set the parking brake. 3. Ensure the drive levers are in the neutral lock position. 4. Sit on the seat. 5. Charge the battery. 6. Check the electrical connections for good contact. 7. Replace fuse. 8. Contact an Authorized Service Dealer.
Engine will not start, starts hard, or fails to keep running	<ol style="list-style-type: none"> 1. LPG tank is empty. 2. Tank shutoff valve is closed. 3. Oil level in the crankcase is low. 4. The throttle is not in the correct position. 5. Air cleaner is dirty. 6. Seat switch is not functioning properly. 7. Electrical connections are corroded, loose or faulty. 8. Relay or switch is defective. 9. Faulty spark plug. 10. Spark plug wire is not connected. 	<ol style="list-style-type: none"> 1. Fill the LPG tank. 2. Open the tank shutoff valve. 3. Add oil to the crankcase. 4. Be sure the throttle control is midway between the "SLOW" and "FAST" positions. 5. Clean or replace the air cleaner element. 6. Check the seat switch indicator. Replace seat if needed. 7. Check the electrical connections for good contact. Clean connector terminals thoroughly with electrical contact cleaner, apply dielectric grease and reconnect. 8. Contact an Authorized Service Dealer. 9. Clean, adjust or replace spark plug. 10. Check the spark plug wire connection.
Engine loses power.	<ol style="list-style-type: none"> 1. Engine load is excessive. 2. Air cleaner is dirty. 3. Oil level in the crankcase is low. 4. Cooling fins and air passages above the engine are plugged. 	<ol style="list-style-type: none"> 1. Reduce the ground speed. 2. Clean the air cleaner element. 3. Add oil to the crankcase. 4. Remove the obstruction from the cooling fins and air passages.
Engine overheats.	<ol style="list-style-type: none"> 1. Engine load is excessive. 2. Oil level in the crankcase is low. 3. Cooling fins and air passages above the engine are plugged. 	<ol style="list-style-type: none"> 1. Reduce the ground speed. 2. Add oil to the crankcase. 3. Remove the obstruction from the cooling fins and air passages.
Mower pulls left or right (with levers fully forward)	<ol style="list-style-type: none"> 1. Tracking needs adjustment 2. Tire pressure in drive tires not correct. 	<ol style="list-style-type: none"> 1. Adjust the tracking. 2. Adjust tire pressure in the drive tires.
Machine does not drive.	<ol style="list-style-type: none"> 1. By pass valves is not closed tight. 2. Pump belt is worn, loose or broken. 3. Pump belt is off a pulley. 4. Broken or missing idler spring. 5. Hydraulic oil level is low or too hot. 	<ol style="list-style-type: none"> 1. Tighten the by pass valves. 2. Change the belt. 3. Change the belt. 4. Replace the spring. 5. Add hydraulic oil to reservoirs or let it cool down.

Problem	Possible Cause	Corrective Action
Abnormal vibration.	<ol style="list-style-type: none"> 1. Cutting blade(s) is/are bent or unbalanced. 2. Blade mounting bolt is loose. 3. Engine mounting bolts are loose. 4. Loose engine pulley, idler pulley, or blade pulley. 5. Engine pulley is damaged. 6. Blade spindle is bent. 7. Motor mount is loose or worn. 	<ol style="list-style-type: none"> 1. Install new cutting blade(s). 2. Tighten the blade mounting bolt. 3. Tighten the engine mounting bolts. 4. Tighten the appropriate pulley. 5. Contact an Authorized Service Dealer. 6. Contact an Authorized Service Dealer. 7. Contact an Authorized Service Dealer.
Uneven cutting height.	<ol style="list-style-type: none"> 1. Blade(s) not sharp. 2. Cutting blade(s) is/are bent. 3. Mower deck is not level. 4. Underside of mower is dirty. 5. Tire pressure is not correct. 6. Blade spindle bent. 	<ol style="list-style-type: none"> 1. Sharpen the blade(s). 2. Install new cutting blade(s). 3. Level mower deck from side-to-side and front-to-rear. 4. Clean the underside of the mower. 5. Adjust the tire pressure. 6. Contact an Authorized Service Dealer.
Blades do not rotate.	<ol style="list-style-type: none"> 1. Mower deck belt is worn, loose or broken. 2. Mower deck belt is off pulley. 3. Pump drive belt is worn, loose or broken. 4. Broken or missing idler spring. 	<ol style="list-style-type: none"> 1. Install new deck belt. 2. Install mower deck pulley and check the idler pulley, idler arm and spring for correct position and function. 3. Check the belt tension or install new belt. 4. Replace the spring.
Clutch will not engage.	<ol style="list-style-type: none"> 1. Fuse is blown. 2. Low voltage supply at the clutch. 3. Damaged coil. 4. Inadequate current supply. 5. Rotor/armature airgap is too large. 	<ol style="list-style-type: none"> 1. Replace fuse. Check coil resistance, battery charge, charging system, and wiring connections and replace if necessary. 2. Check coil resistance, battery charge, charging system, and wiring connections and replace if necessary. 3. Replace clutch. 4. Repair or replace clutch lead wire or electrical system. Clean connector contacts. 5. Remove shim or replace clutch.

Schematics

LPG Electrical Diagram



G013876



The Toro Total Coverage Warranty

A Limited Warranty (see warranty periods below)

Landscape
Contractor
Equipment (LCE)

Conditions and Products Covered

The Toro Company and its affiliate, Toro Warranty Company, pursuant to an agreement between them, jointly promise to the original purchaser to repair the Toro Products listed below if defective in materials or workmanship.

The following time periods apply from the date of purchase by the original owner:

Products	Warranty Period
All Mowers	
• Engine**	2 years
• Battery	1 year
• Attachments	1 year
Mid-Size Walk-Behind Mowers	2 years
Grand Stand™ Mowers	5 years or 1,200 hours*
• Frame	Lifetime (original owner only)***
Z Master® Z400, Z500 Mowers	4 years or 1,200 hours*
• Engine	2 years**
• Frame	Lifetime (original owner only)***
Z Master® G3 Mowers	5 years or 1,200 hours*
• Frame	Lifetime (original owner only)***

*Whichever occurs first.

**Some engines used on Toro LCE Products are warranted by the engine manufacturer.

***Lifetime Frame Warranty - If the main frame, consisting of the parts welded together to form the tractor structure that other components such as the engine are secured to, cracks or breaks in normal use, it will be repaired or replaced under warranty at no cost for parts and labor. Frame failure due to misuse or abuse and failure or repair required due to rust or corrosion are not covered.

This warranty includes the cost of parts and labor, but you must pay transportation costs.

Instructions for Obtaining Warranty Service

If you think that your Toro Product contains a defect in materials or workmanship, follow this procedure:

1. Contact any Authorized Toro Service Dealer to arrange service at their dealership. To locate a dealer convenient to you, refer to the Yellow Pages of your telephone directory (look under "Lawn Mowers") or access our web site at www.Toro.com. You may also call the numbers listed in item #3 to use the 24-hour Toro Dealer locator system.
2. Bring the product and your proof of purchase (sales receipt) to the Service Dealer. The dealer will diagnose the problem and determine if it is covered under warranty.

3. If for any reason you are dissatisfied with the Service Dealer's analysis or with the assistance provided, contact us at:

RLC Customer Care Department
Toro Warranty Company
8111 Lyndale Avenue South
Bloomington, MN 55420-1196
888-865-5676 (U.S. Customers)
888-865-5691 (Canada customers)

Owner Responsibilities

You must maintain your Toro Product by following the maintenance procedures described in the *Operator's Manual*. Such routine maintenance, whether performed by a dealer or by you, is at your expense.

Items and Conditions Not Covered

There is no other express warranty except for special emission system and engine warranty coverage on some products. This express warranty does not cover the following:

- Cost of regular maintenance service or wear parts, such as filters, fuel, lubricants, tune-up parts, blade sharpening, brake and clutch adjustments.
- Any product or part which has been altered or misused and requires replacement or repair due to normal wear, accidents, or lack of proper maintenance.
- Repairs necessary due to improper fuel, contaminants in the fuel system, or failure to properly prepare the fuel system prior to any period of non-use over three months.
- Pickup and delivery charges.

General Conditions

All repairs covered by these warranties must be performed by an Authorized Toro Service Dealer using Toro approved replacement parts.

Neither The Toro Company nor Toro Warranty Company is liable for indirect, incidental or consequential damages in connection with the use of the Toro Products covered by this warranty, including any cost or expense of providing substitute equipment or service during reasonable periods of malfunction or non-use pending completion of repairs under this warranty.

All implied warranties of merchantability (that the product is fit for ordinary use) and fitness for use (that the product is fit for a particular purpose) are limited to the duration of the express warranty

Some states do not allow exclusions of incidental or consequential damages, or limitations on how long an implied warranty lasts, so the above exclusions and limitations may not apply to you.

This warranty gives you specific legal rights, and you may also have other rights which vary from state to state.

Countries Other than the United States or Canada

Customers who have purchased Toro products outside the United States or Canada should contact their Toro Distributor (Dealer) to obtain guarantee policies for your country, province, or state. If for any reason you are dissatisfied with your Distributor's service or have difficulty obtaining guarantee information, contact the Toro importer. If all other remedies fail, you may contact us at Toro Warranty Company.