



Count on it.

Parts Catalog

GT2200 Garden Tractor

Model No. 14AQ81RP544—Serial No. 1 and Up

Ordering Replacement Parts

To order replacement parts, please supply the part number, the quantity, and the description of each part desired.

Understanding Reference Numbers

Each identified part in an illustration has a reference number. The reference number for a part also appears in the parts list, along with other information about the part.

This catalog uses two special reference number formats, one to indicate parts in a service assembly and another to indicate the quantity of a given part in an illustration.

Service Assembly Reference Numbers

Parts in service assemblies have reference numbers in the form a:b. The a represents the reference number of the entire service assembly and the b represents a sequential number unique to each part within the service assembly.

For example, a wheel assembly might be identified by reference number 6, the tire by 6:1, the valve by 6:2, and the wheel by 6:3. When you order the assembly identified by reference number 6, you receive all parts identified by reference numbers 6:1, 6:2, and 6:3. However, you may also order any part individually. Reference numbers of this type appear in illustration and in parts lists.

Reference Numbers Indicating Quantity

In an illustration, if a reference number indicates more than one part, the reference number has the form nX y. The n represents the quantity of the part, the X is the multiplication symbol, and the y represents the reference number.

For example, in an illustration, the reference number 2X 37 means that two of the parts identified by reference number 37 are indicated.

List of Abbreviations

AR: as required

ASM: assembly

BBC: blade brake control

BHTF: button head thread forming

CARR: carriage

CCW: counter clockwise

CW: clockwise

DEG: degrees

ECM: electronic control module

EXT: external

FH: flat head

GA: gauge

HD: heavy-duty

HF: hex flange

HH: hex head

HHF: hex head flange

HHFTF: hex head flange thread forming

HJ: hex jam

HLH: hex lag head

HOC: height-of-cut

HSBH: hex socket button head

HSFH: hex socket flat head

HSH: hex socket head

HWH: hex washer head

HWHTF: hex washer head thread forming

HYD: hydraulic

LH: left hand

LP: Liquid Propane

NI: nylon insert

NPTF: national pipe thread fine

PFH: phillips flat head

PPH: phillips pan head

PPHTF: phillips pan head thread forming

PRH: phillips round head

PTH: phillips truss head

PTO: power-take-off

RH: right hand

ROPS: roll-over protection system

RRB: rear roller brush

SFH: slotted fillister head

SHH: slotted hex head

SHWH: slotted hex washer head

SPH: slotted pan head

SQH: square head

SRH: slotted round head

STD: standard

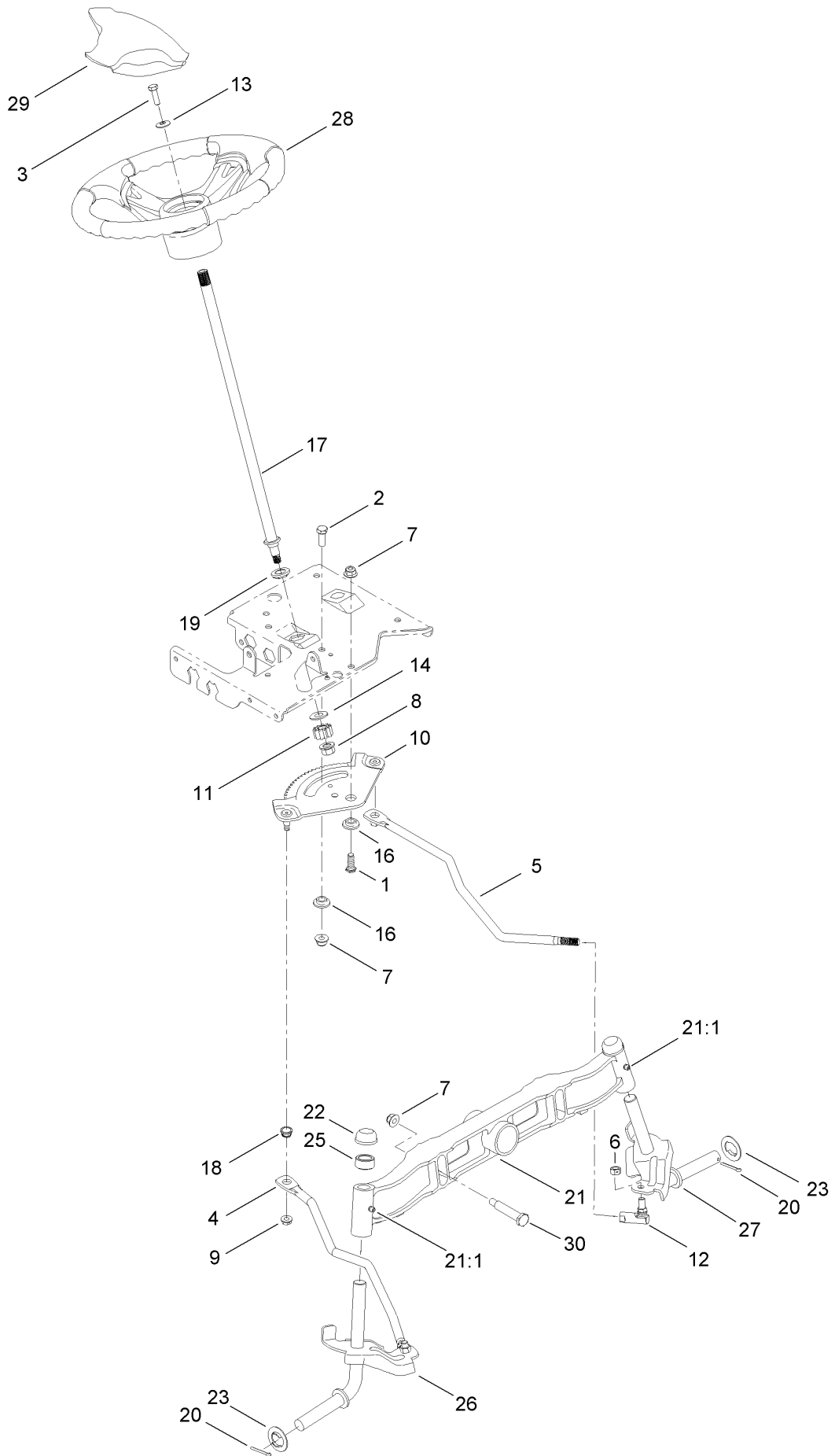
TAP: self tapping

TTH: torx truss head

Contents

Steering and Front Axle Assembly	4
Frame, Battery and Electric PTO Assembly	6
Seat, Fender and Deck Lift Assembly	8
Fuel Tank, Hood and Dash Assembly	10
Drive System Assembly	12
Transmission Assembly No. 112-0914	14
Transmission Assembly No. 112-0914 (Continued)	16
50 Inch Deck Assembly	18
Front and Rear Wheel Assembly	20
Engine and Muffler Assembly	21
Crankshaft Assembly Kohler SV730-0018	22
Crankcase Assembly Kohler SV730-0018	23
Oil Pan and Lubrication Assembly Kohler SV730-0018	25
Head, Valve and Breather Assembly Kohler SV730-0018	26
Ignition and Electrical Assembly Kohler SV730-0018	27
Blower Housing and Baffle Assembly Kohler SV730-0018	28
Starting System Assembly Kohler SV730-0018	29
Fuel System Assembly Kohler SV730-0018	30
Engine Control Assembly Kohler SV730-0018	32
Air Intake and Filtration Assembly Kohler SV730-0018	33
Exhaust Stud, Gasket and Decal Assembly Kohler SV730-0018	34
Attachments and Accessories	35

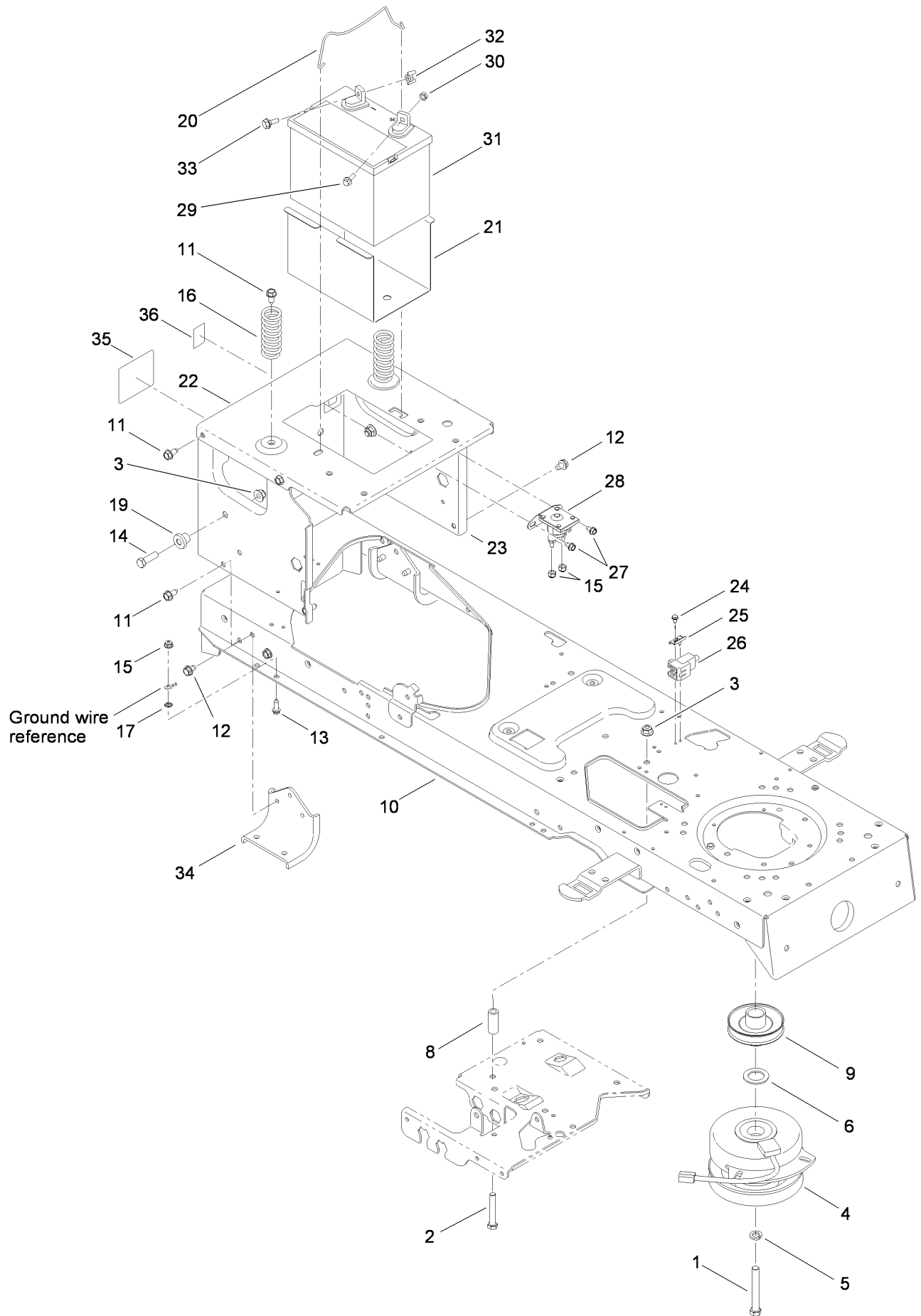
Steering and Front Axle Assembly



Steering and Front Axle Assembly (continued)

<i>Ref.</i>	<i>Part Number</i>	<i>Qty.</i>	<i>Description</i>	<i>Ref.</i>	<i>Part Number</i>	<i>Qty.</i>	<i>Description</i>
1	112-0631	1	Screw-HH	17	112-6097	1	Shaft-Steering
2	112-0492	1	Screw-HH	18	112-0929	1	Bushing
3	112-0473	1	Screw-HH	19	112-6098	1	Bearing-Flange, Hex
4	112-0355	1	Link-Drag, RH	20	112-0860	1	Pin-Cotter
5	112-0346	1	Link-Drag, LH	21	112-6099	1	Pivot-Axle, Cast Iron
6	112-0483	1	Nut-Hex, Lock	21:1	112-0926	1	Fitting-Grease
7	112-0668	1	Nut-Lock, Flange	22	112-0323	1	Cap
8	112-0859	1	Nut-Lock, Flange	23	112-5972	1	Washer-Flat
9	112-0511	1	Nut-Lock, Flange	25	112-6136	1	Spacer
10	112-0862	1	Gear-Steering	26	112-6015	1	RH Axle ASM
11	112-0863	1	Gear-Pinion, Steering	27	112-6016	1	LH Axle ASM
12	112-0917	1	Ball Joint ASM	28	112-0438	1	Wheel-Steering, Softgrip
13	112-0924	1	Washer-Flat	29	112-0341	1	Cover-Wheel, Steering
14	112-0925	1	Washer-Flat	30	112-0699	1	Bolt-Shoulder
16	112-0881	1	Spacer-Shoulder				

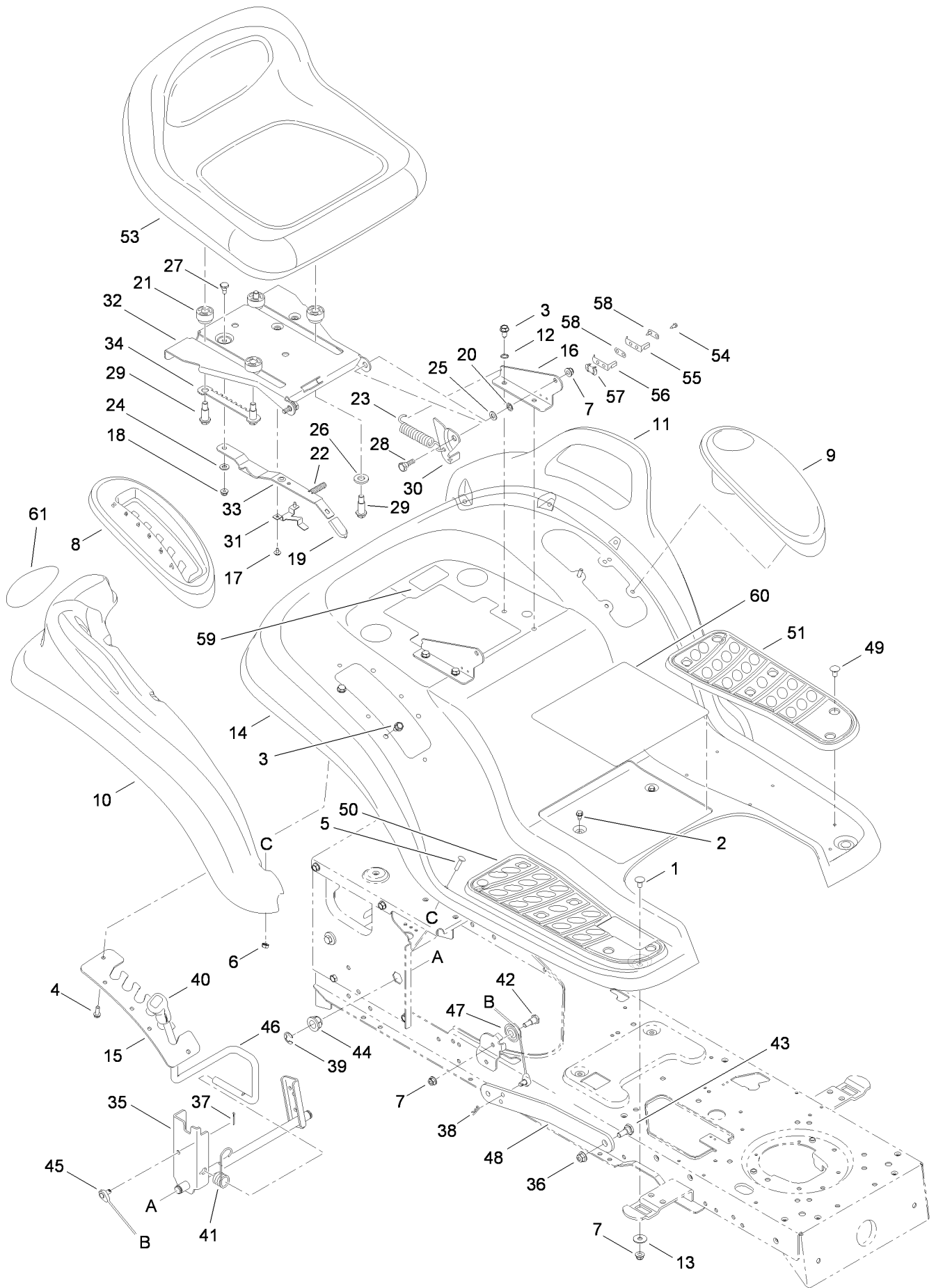
Frame, Battery and Electric PTO Assembly



Frame, Battery and Electric PTO Assembly (continued)

<i>Ref.</i>	<i>Part Number</i>	<i>Qty.</i>	<i>Description</i>	<i>Ref.</i>	<i>Part Number</i>	<i>Qty.</i>	<i>Description</i>
1	112-0561	1	Screw-HH	21	112-0570	1	Tray-Battery
2	112-6009	1	Screw-HH	22	112-0647	1	Bracket-Frame, Seat
3	112-0668	1	Nut-Lock, Flange	23	112-6107	1	Frame-Upper
4	112-6044	1	Clutch-Electric	24	112-0651	1	Screw-TAP
5	112-0428	1	Washer-Lock	25	112-0671	1	Plate-Switch
6	112-0420	1	Washer-Flat	26	112-0455	1	Switch-Interlock
8	112-0433	1	Spacer	27	112-0524	1	Screw-HWHTF
9	112-6045	1	Pulley-Engine	28	112-6073	1	Solenoid-12V, 2 Post 2 Tab
10	112-5974	1	Lower Frame ASM	29	112-1070	1	Bolt-Carriage
11	112-6070	1	Screw-TAP	30	112-0546	1	Nut-Sems
12	112-0676	1	Screw-TAP	31	112-0425	1	Battery-245, Cca (Dry Flat Top)
13	112-0587	1	Screw-TAP				
14	112-0557	1	Screw-HH	32	112-1121	1	Nut-Wing
15	112-0636	1	Nut-Lock, Flange	33	112-6182	1	Bolt-Shoulder
16	112-0501	1	Spring-Compression	34	112-0710	1	Bracket-Axle
17	112-0703	1	Washer-Lock, External	35	112-1284	1	Decal-Toro
19	112-0661	1	Spacer-Shoulder	36	112-3715	1	Decal-Bypass
20	112-0581	1	Rod-Holddown, Battery				

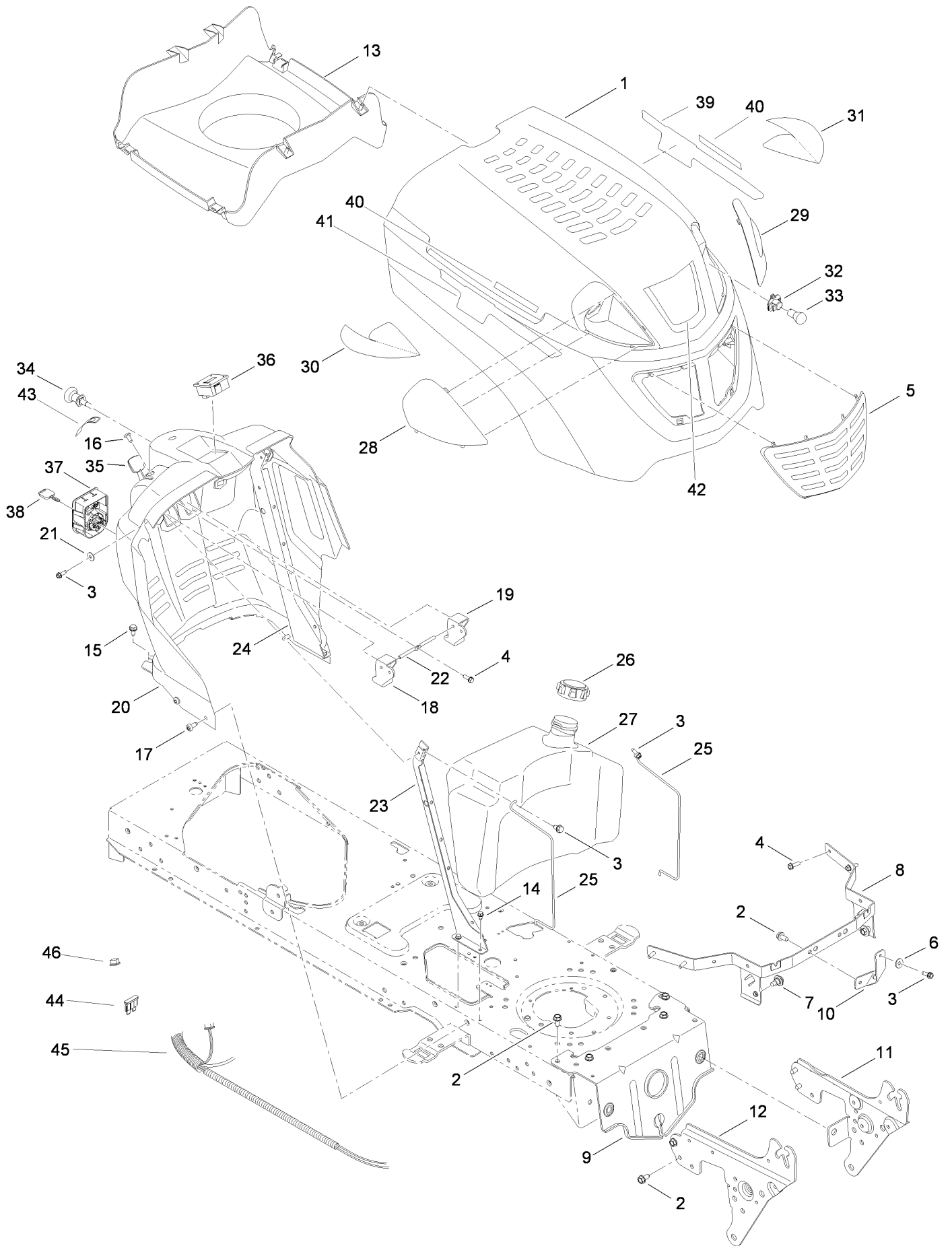
Seat, Fender and Deck Lift Assembly



Seat, Fender and Deck Lift Assembly (continued)

<i>Ref.</i>	<i>Part Number</i>	<i>Qty.</i>	<i>Description</i>	<i>Ref.</i>	<i>Part Number</i>	<i>Qty.</i>	<i>Description</i>
1	112-0426	1	Bolt-CARR	31	112-5850	1	Stop-Adjust, Seat
2	112-0524	1	Screw-HWHTF	32	112-6050	1	Bracket-Pivot, Seat
3	112-6070	1	Screw-TAP	33	112-0898	1	Lever-Adjust, Seat
4	112-0509	1	Screw-TAP	34	112-0900	1	Selector-Adjust, Seat
5	112-0907	1	Screw-CARR	35	112-6183	1	Lift Shaft ASM
6	112-0546	1	Nut-Sems	36	112-0668	1	Nut-Lock, Flange
7	112-0650	1	Nut-Lock, Flange	37	112-0459	1	Pin-Cotter
8	112-0869	1	Cover-Lever, Lift	38	112-0568	1	Pin-Cotter
9	112-0870	1	Cover (W/Cup Holder)	39	112-0586	1	Ring-E
10	112-0871	1	Flare-Fender, RH	40	112-0585	1	Grip-Handle
11	112-0872	1	Flare-Fender, LH	41	112-0477	1	Spring-Torsion
12	112-0517	1	Washer-Lock, External	42	112-0443	1	Bolt-Shoulder
13	112-0582	1	Washer-Flat	43	112-0442	1	Bolt-Shoulder
14	112-0894	1	Fender	44	112-0347	1	Bearing-Flange
15	112-0629	1	Bracket-Adjusting, Lift	45	112-0374	1	Cable-Lift
16	112-6046	1	Bracket-Mount, Seat	46	112-5970	1	Handle-Lift
17	112-0857	1	Screw-HH, TAP	47	112-0502	1	Pulley-Roller
18	112-0636	1	Nut-Lock, Flange	48	112-6165	1	Arm-Lift
19	112-0864	1	Grip-Adjuster, Seat	49	112-0549	1	Clip-Ratchet, Fastener
20	112-0645	1	Nut-Push	50	112-0540	1	Pad-Foot, RH
21	112-0868	1	Spacer-Adjust, Seat	51	112-0545	1	Pad-Foot, LH
22	112-0874	1	Spring-Compression	53	112-6018	1	Seat-Medium Back
23	112-0616	1	Spring-Extension	54	112-0626	1	Screw-HWHTF
24	112-6051	1	Washer-Bell	55	112-0529	1	Switch-Spring
25	112-0435	1	Washer-Bell	56	112-0532	1	Switch-Spring, Inner
26	112-0878	1	Washer-Flat	57	112-0637	1	Plate-Boss, Insulator
27	112-0927	1	Bolt-Shoulder	58	112-0635	1	Plate-Insulator
28	112-0575	1	Bolt-Shoulder	59	112-3701	1	Decal-Toro Hotline
29	112-0882	1	Bolt-Shoulder	60	112-3707	1	Decal-Slope
30	112-0646	1	Bracket-Lift, LH	61	112-5873	1	Reflector

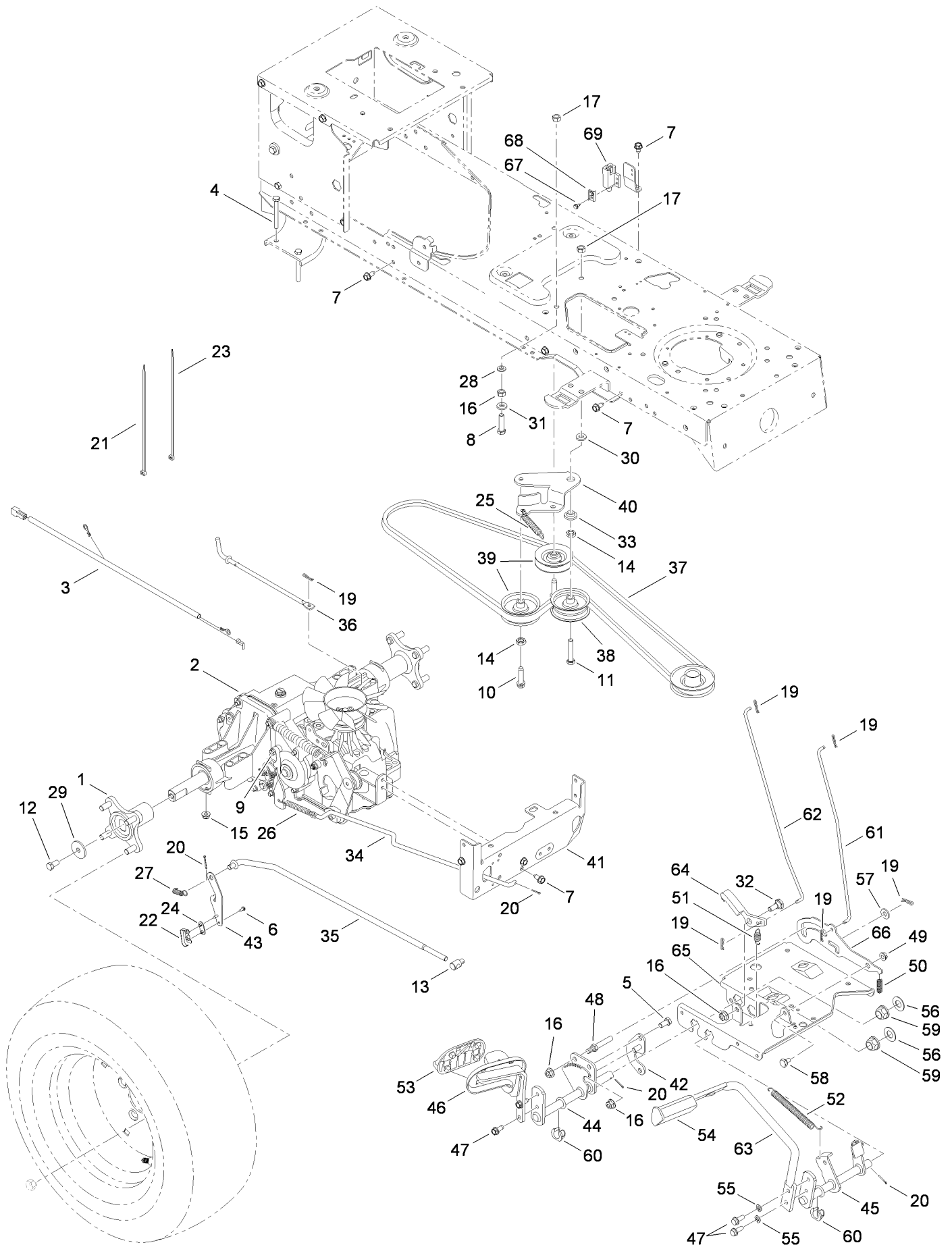
Fuel Tank, Hood and Dash Assembly



Fuel Tank, Hood and Dash Assembly (continued)

<i>Ref.</i>	<i>Part Number</i>	<i>Qty.</i>	<i>Description</i>	<i>Ref.</i>	<i>Part Number</i>	<i>Qty.</i>	<i>Description</i>
1	112-0444	1	Hood	25	112-0678	1	Rod-Support
2	112-6070	1	Screw-TAP	26	112-6120	1	Cap-Fuel
3	112-0587	1	Screw-TAP	27	112-6119	1	Tank-Fuel, 3 Gal
4	112-0509	1	Screw-TAP	28	112-0447	1	Lens-RH
5	112-0381	1	Grill	29	112-0446	1	Lens-LH
6	112-5989	1	Washer-Flat	30	112-5810	1	Reflector-RH
7	112-6128	1	Bolt-Shoulder, TAP	31	112-5811	1	Reflector-LH
8	112-5985	1	Bracket-Pivot	32	112-0408	1	Socket-Headlight
9	112-6127	1	Bracket-Pivot	33	112-0402	1	Lamp-12V, Miniature
10	112-5986	1	Bracket-Support, Hood	34	112-0310	1	Cable Control ASM (W/Choke Knob)
11	112-6126	1	Bracket-Pivot, Support (LH)	35	112-6166	1	Cable-Throttle
12	112-6125	1	Bracket-Pivot, Support (RH)	36	112-6117	1	Meter-Hour
13	112-6141	1	Plenum-Hood	37	112-6116	1	Module-Switch, Ignition
14	112-0524	1	Screw-HWHTF	38	112-6115	1	Key-Ignition
15	112-0676	1	Screw-TAP	39	112-5952	1	Decal-Hood, Left Side
16	112-0550	1	Screw-TAP	40	112-5967	1	Decal-Side Panel
17	112-0563	1	Screw-TAP	41	112-5953	1	Decal-Hood, Right Side
18	112-0526	1	Lever-Cruise	42	112-3716	1	Decal-Hood
19	112-0580	1	Lever-Brake	43	112-1272	1	Decal-Throttle, Dash
20	112-0536	1	Dash-PTO, Electric	44	112-5943	1	Fuse-20 Amp
21	112-0485	1	Washer-Spring	45	112-6188	1	Wire-Harness
22	112-0604	1	Rod-Lever, Bent	46	112-5921	1	Relay
23	112-6122	1	Support-Dash, RH				
24	112-6121	1	Support-Dash, LH				

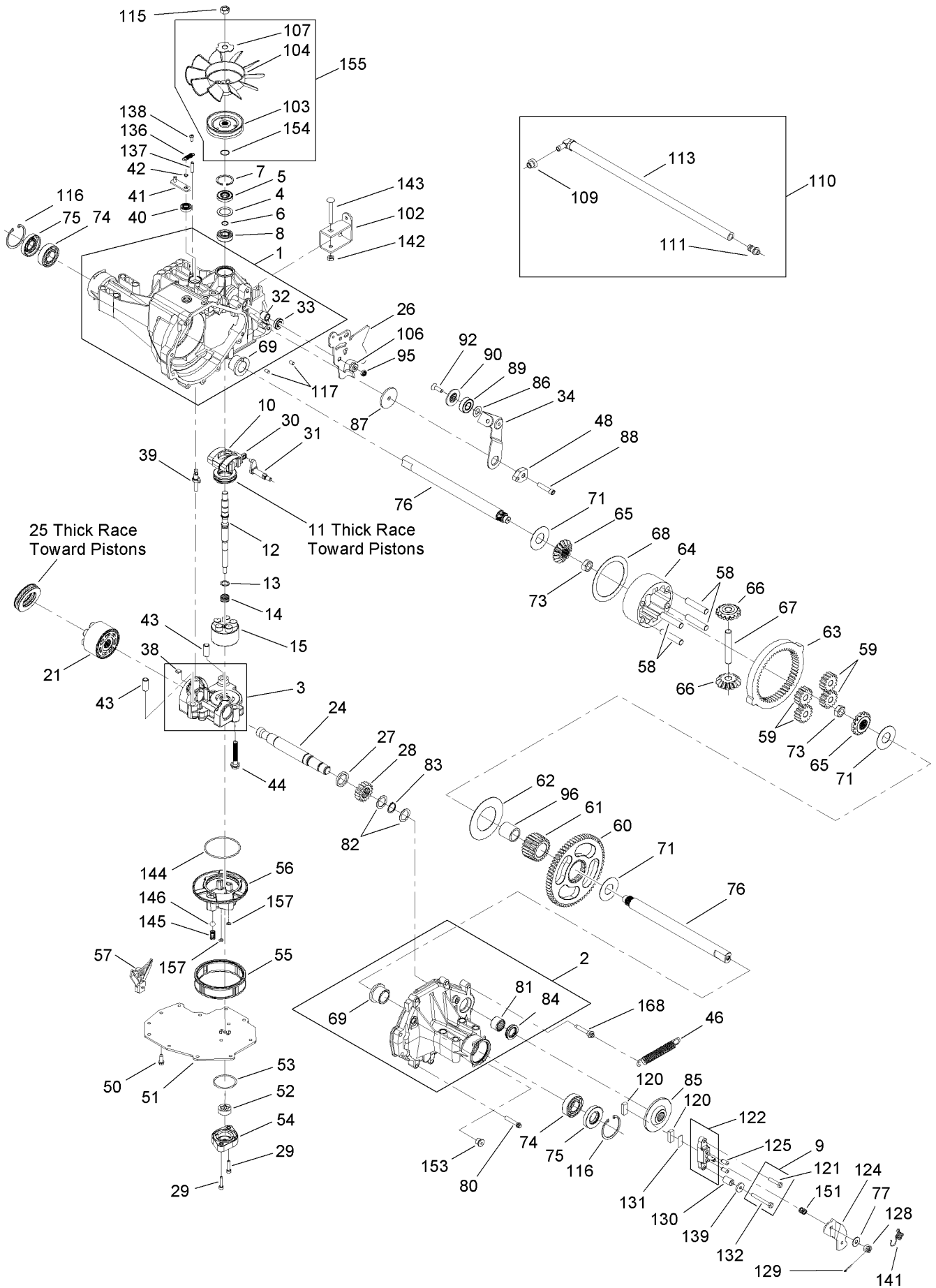
Drive System Assembly



Drive System Assembly (continued)

<i>Ref.</i>	<i>Part Number</i>	<i>Qty.</i>	<i>Description</i>	<i>Ref.</i>	<i>Part Number</i>	<i>Qty.</i>	<i>Description</i>
1	112-0738	1	Wheel Hub ASM	36	112-0889	1	Rod-Disengage
2	112-0914	1	Transmission ASM	37	112-0317	1	Belt
3	112-6020	1	Harness ASM	38	112-0313	1	Pulley-Idler, Flat
4	112-0714	1	Screw-Hex	39	112-6149	1	Pulley-Idler, Y Type
5	112-0855	1	Screw-HH	40	112-0525	1	Bracket-Idler, Center Double
6	112-0626	1	Screw-HWHTF	41	112-0711	1	Bracket-Transmission
7	112-6070	1	Screw-TAP	42	112-0899	1	Bracket-Control
8	112-0578	1	Screw-HH	43	112-0901	1	Bracket-Actuator
9	112-0524	1	Screw-HWHTF	44	112-0850	1	Control ASM
10	112-0469	1	Screw-TAP	45	112-5998	1	Speed Control ASM
11	112-6009	1	Screw-HH	46	112-0851	1	Control Pedal ASM
12	112-0768	1	Screw-HH	47	112-0395	1	Screw-HWH
13	112-0908	1	Ferrule	48	112-0599	1	Pin
14	112-0493	1	Nut-Jam	49	112-0511	1	Nut-Lock, Flange
15	112-0650	1	Nut-Lock, Flange	50	112-0506	1	Spring
16	112-0668	1	Nut-Lock, Flange	51	112-0510	1	Spring-Extension
17	112-0385	1	Nut-Lock, Flange	52	112-0348	1	Spring-Extension
19	112-0459	1	Pin-Cotter	53	112-0543	1	Pad-Pedal
20	112-0568	1	Pin-Cotter	54	112-6001	1	Pad-Brake
21	112-0527	1	Tie-Cable	55	112-0366	1	Washer-Lock
22	112-0602	1	Switch-Spring, Short	56	112-0339	1	Washer-Flat
23	112-0866	1	Tie-Cable	57	112-0541	1	Washer-Flat
24	112-0625	1	Plate-Insulator	58	112-0542	1	Bolt-Shoulder
25	112-0873	1	Spring-Extension	59	112-0347	1	Bearing-Flange
26	112-0350	1	Spring-Extension	60	112-0387	1	Bearing-Flange, Hex (Split)
27	112-0875	1	Spring-Extension	61	112-6150	1	Rod-Brake, Lock
28	112-0415	1	Washer-Lock	62	112-0662	1	Rod-Control, Cruise
29	112-0534	1	Washer-Flat	63	112-6005	1	Pedal-Brake
30	112-0920	1	Washer-Flat	64	112-6004	1	Latch-Cruise
31	112-0572	1	Washer-Flat	65	112-0681	1	Bracket-Support, Steering
32	112-0442	1	Bolt-Shoulder	66	112-5812	1	Bracket-Lockout
33	112-0345	1	Spacer-Shoulder	67	112-0651	1	Screw-TAP
34	112-0887	1	Rod-Brake	68	112-0671	1	Plate-Switch
35	112-0888	1	Rod-Control	69	112-0455	1	Switch-Interlock

Transmisson Assembly No. 112-0914



Transmission Assembly No. 112-0914 (continued)

<i>Ref.</i>	<i>Part Number</i>	<i>Qty.</i>	<i>Description</i>	<i>Ref.</i>	<i>Part Number</i>	<i>Qty.</i>	<i>Description</i>
1	104-2101	1	Main Housing ASM	52	104-2122	1	Gerotor ASM
2	112-5887	1	Right Hand Housing ASM	53	104-2123	1	O-Ring
3	112-5889	1	Center Section ASM	54	104-2124	1	Cover-Gerotor
4	104-2104	1	Spacer	55	112-5894	1	Filter Kit
5	92-6543	1	Seal-Lip	56	112-5895	1	Manifold-Charge
6	94-1902	1	Ring-Wire, Retaining	57	104-2127	1	Retainer-Bearing, Motor
7	94-1903	1	Ring-Retaining	58	104-2128	4	Pin-Carrier
8	94-1904	1	Bearing-Shaft, Ball	59	104-2129	4	Gear-Planet, 15T
9	112-5888	1	Brake Bolt Kit	60	104-2130	1	Gear-Spur, 67T
10	94-1907	1	Swashplate-Variable	61	104-2131	1	Gear-Sun, 21T
11	94-6922	1	Bearing-Thrust	62	104-2132	1	Plate-Thrust, Planet
12	104-2105	1	Shaft-Input	63	104-2133	1	Gear-Ring, 51T
13	94-1937	1	Washer-Thrust, Block	64	104-2134	1	Carrier-Planetary
14	94-1936	1	Spring-Block	65	104-2135	2	Gear-Miter
15	103-2666	1	Cylinder Block Kit	66	104-2136	2	Gear-Miter
21	94-1913	1	Cylinder Block ASM	67	104-2137	1	Shaft
24	104-2107	1	Shaft-Output	68	104-2138	1	Plate-Thrust
25	94-6923	1	Bearing-Thrust	69	104-2139	2	Bearing-Flange
26	112-5890	1	Arm-Control	71	104-2141	3	Washer
27	104-2109	1	Spacer	73	104-2142	2	Nut-HJ
28	104-2110	1	Gear-Pinion, 16T	74	104-2143	2	Bearing-Ball
29	104-2111	2	Capscrew	75	104-2144	2	Seal
30	94-1910	1	Guide-Slot	76	112-5896	2	Shaft-Axle
31	104-2112	1	Trunnion ASM	77	5-4460	1	Washer-Pivot
32	104-2113	1	Bushing-Trunnion	79	104-2147	10	Sealant ●
33	92-6544	1	Seal-Lip	80	104-2148	8	Screw-TTH
34	112-5891	1	Arm-Return	81	104-2149	1	Bearing-Needle
38	112-5892	1	Bypass Plate Kit	82	104-2150	2	Washer
39	94-1914	1	Actuator-Bypass	83	104-2151	1	Ring-Retaining
40	92-6545	1	Seal-Lip	84	104-2152	1	Seal-Lip
41	104-2117	1	Arm-Bypass	85	104-2153	1	Disk-Brake
42	936109	1	Ring-Retaining	86	94-1933	1	Washer
43	94-1927	2	Pin	87	104-2154	1	Washer
44	94-6926	3	Bolt	88	104-2155	1	Screw
46	112-5893	1	Spring-Return, 5 Inch (Medium)	89	104-2156	1	Bearing
48	104-2119	1	Puck-Adjusting	90	104-2157	1	Spacer-Locating
50	104-2120	11	Screw	92	104-2158	1	Screw-Countersunk
51	104-2121	1	Cover-Lower	95	104-2159	1	Nut-Hex, Lock
				96	104-2160	1	Bearing-Sleeve

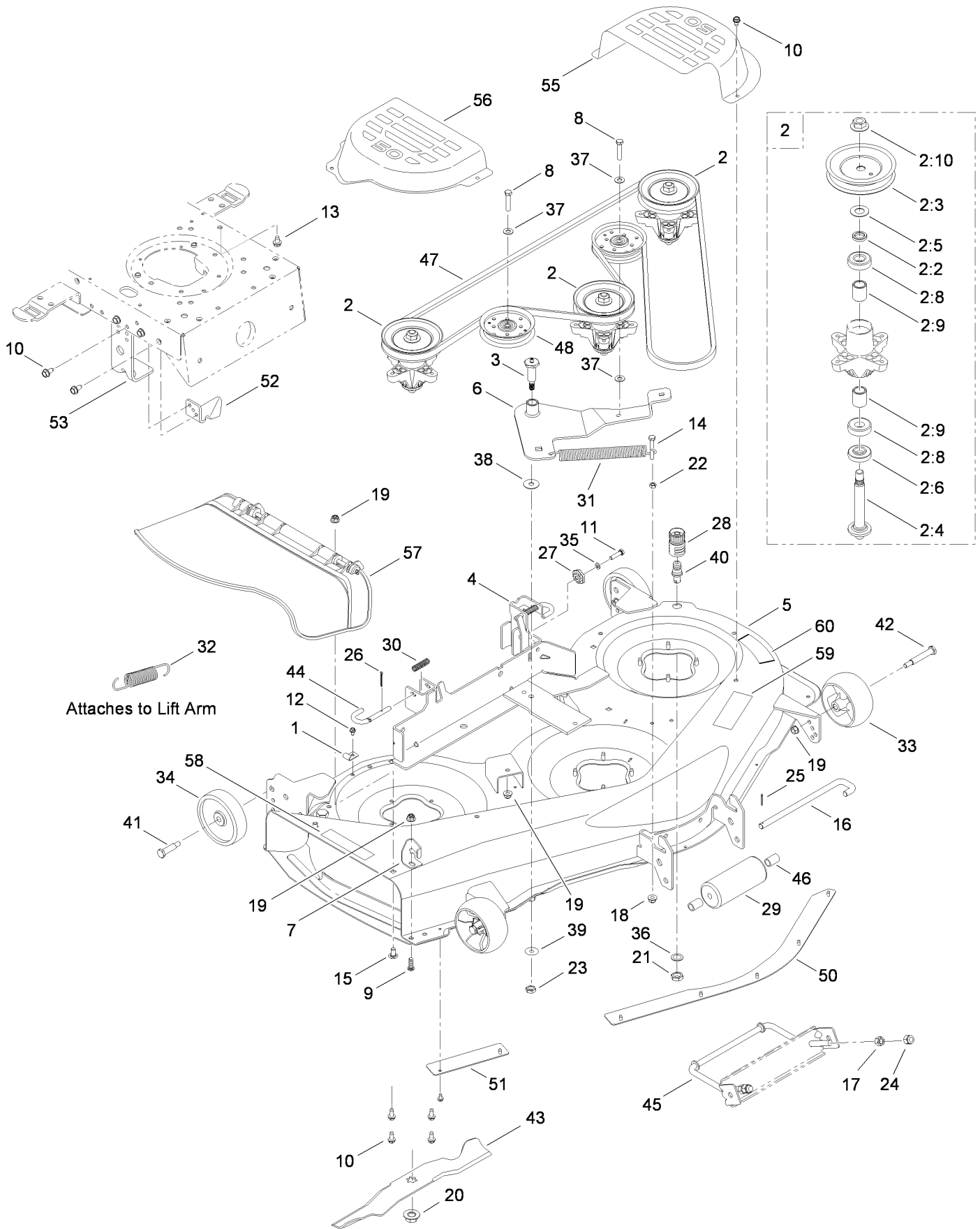
● Not illustrated

Transmisson Assembly No. 112-0914 (Continued) (continued)

<i>Ref.</i>	<i>Part Number</i>	<i>Qty.</i>	<i>Description</i>	<i>Ref.</i>	<i>Part Number</i>	<i>Qty.</i>	<i>Description</i>
102	112-5897	1	Bracket-Torque	131	104-2181	1	Puck-Plate
103	112-5885	1	Pulley	132	112-5907	1	Bolt-Hex
104	112-5886	1	Fan-Blade, 10	136	112-5908	1	Spring-Bypass
106	112-5898	1	Spacer-Trunnion	137	112-5909	1	Pin-Spring
107	112-5899	1	Washer-Slotted	138	112-5910	1	Bolt-Self Tapping
109	112-5900	1	Bushing-Vent	139	112-5911	1	Washer
110	112-5901	1	Fitting Kit	141	104-2184	1	Spring-Arm, Brake (Bias)
111	112-5902	1	Cap Vent ASM	142	112-5912	1	Nut-Hex Lock
113	112-5903	1	90 Degree Fitting And Hose ASM Kit	143	112-5913	1	Bolt
115	104-2168	1	Nut-Hex	144	104-2185	1	O-Ring
116	104-2169	2	Ring-Retaining	145	104-2186	1	Spring-Relief
117	104-2170	2	Pin	146	25-2490	1	Ball
120	104-2171	2	Puck-Brake	151	104-2188	1	Spring-Brake, Anti Drag
121	112-5904	1	Bolt-Hex	153	104-2189	1	Plug-Thread, Straight
122	112-5905	1	Brake Yoke ASM	154	112-5914	1	Ring-Retaining
124	112-5906	1	Arm-Brake	155	112-5915	1	Fan And Pulley Kit
125	104-2176	2	Pin-Brake	157	104-2191	2	O-Ring
128	93-3807	1	Nut-Castle	168	112-5916	1	Bolt-Shoulder, Torx
129	3272-7	1	Pin-Cotter	203	112-5917	1	Seal And O-Ring Kit ●
130	104-2180	1	Spacer				

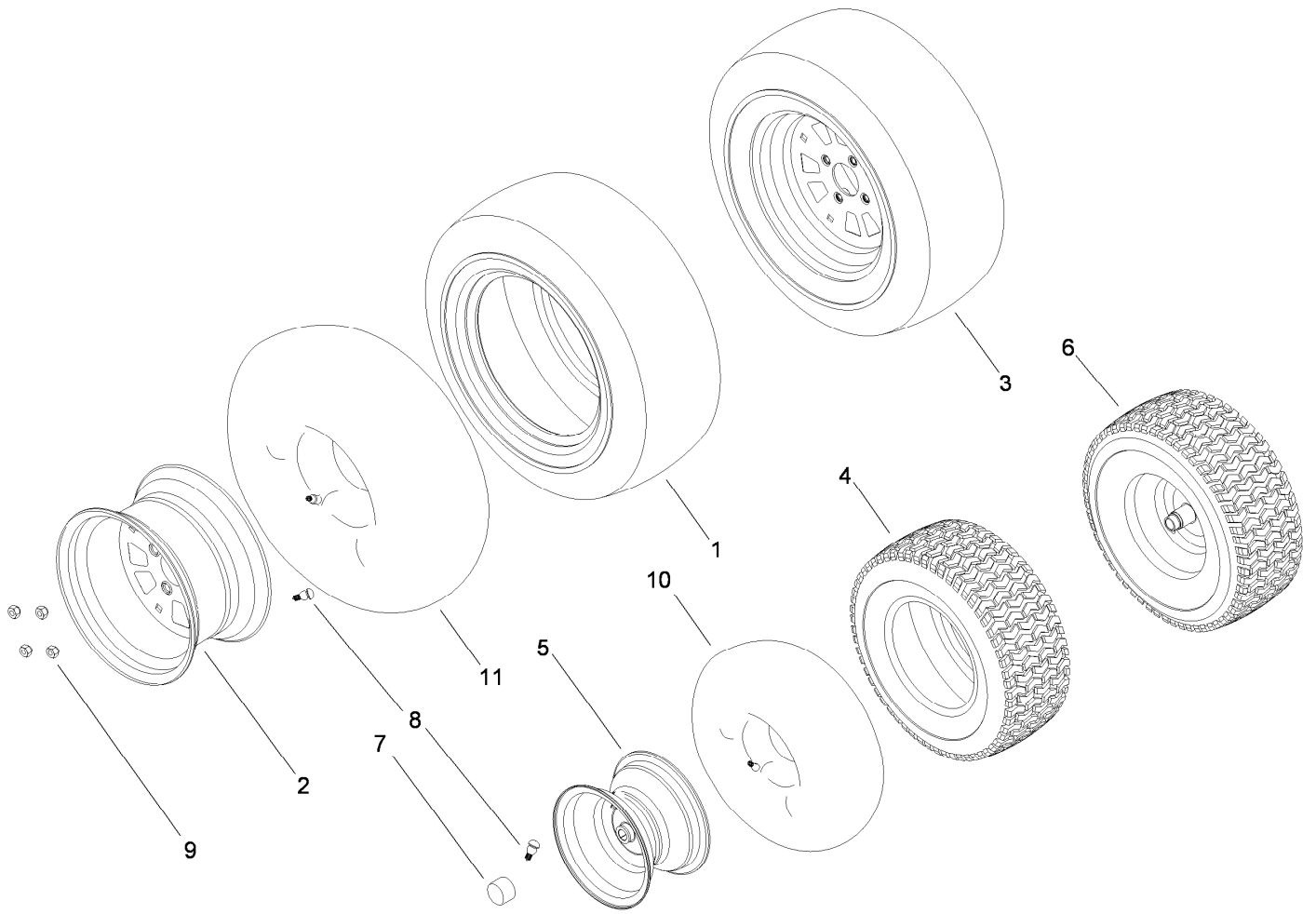
● Not illustrated

50 Inch Deck Assembly



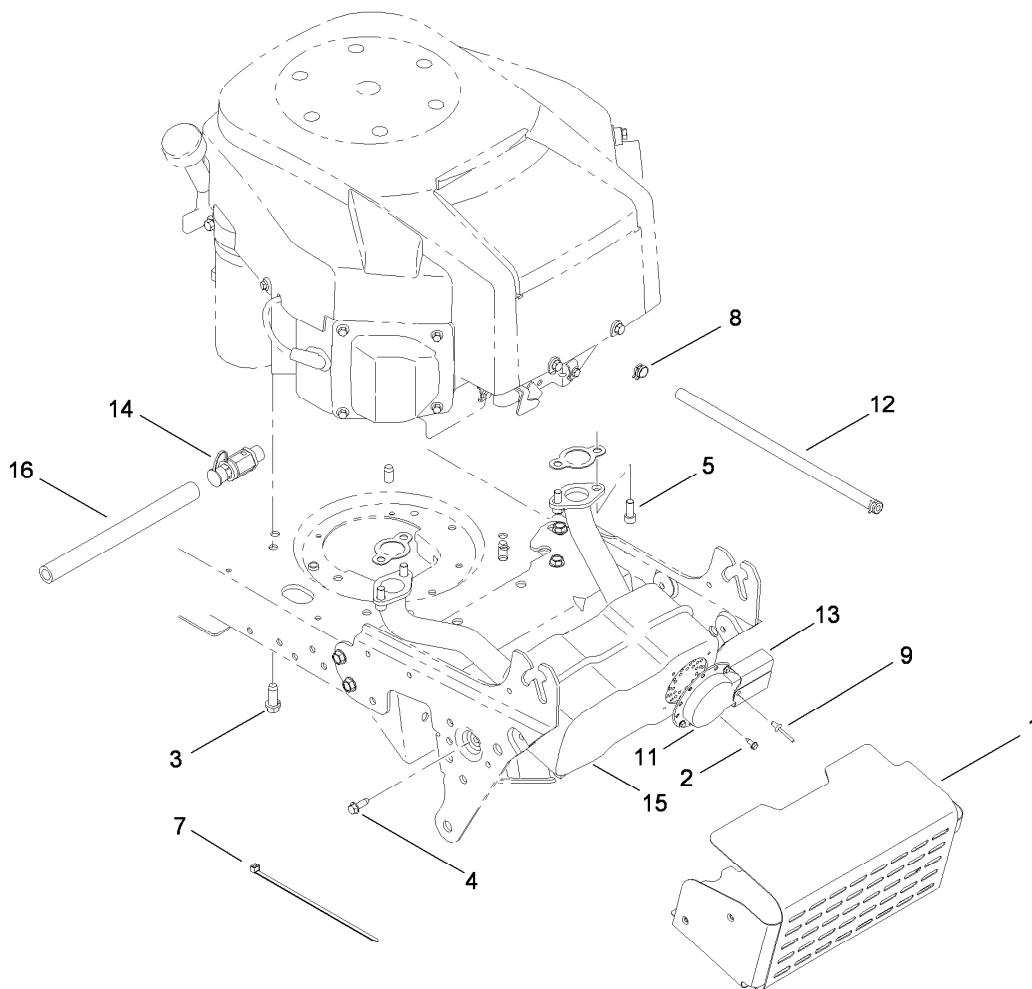
50 Inch Deck Assembly (continued)

<i>Ref.</i>	<i>Part Number</i>	<i>Qty.</i>	<i>Description</i>	<i>Ref.</i>	<i>Part Number</i>	<i>Qty.</i>	<i>Description</i>
1	112-0378	1	Bracket-Retain, Hook	26	112-0412	1	Pin-Cotter
2	112-6042	1	Spindle ASM	27	112-0327	1	Gear-Adjustment, Deck
2:2	112-6038	1	Spacer	28	112-0916	1	Adapter-Nozzle, Water
2:3	112-5926	1	Pulley	29	112-6185	1	Roller-Front
2:4	112-0884	1	Shaft-Spindle, Blade (Star)	30	112-0406	1	Spring-Compression
2:5	112-0921	1	Washer-Flat	31	112-6043	1	Spring-Extension
2:6	112-0721	1	Spacer	32	112-0399	1	Spring-Lift, Assist
2:8	112-0377	1	Bearing-Ball	33	112-0677	1	Wheel-Deck, Front
2:9	112-0389	1	Spacer	34	112-0479	1	Bolt-CARR
2:10	112-0330	1	Nut-Lock, Flange	35	112-0366	1	Washer-Lock
3	112-6184	1	Bolt Shoulder ASM	36	112-0643	1	Washer-Lock
4	112-0413	1	LH Hanger Bracket ASM	37	112-0572	1	Washer-Flat
5	112-0653	1	50 Inch Side Discharge Deck ASM	38	112-0564	1	Washer-Flat
6	112-0702	1	Idler ASM	39	112-0481	1	Washer-Bell
7	112-0854	1	Stop-Chute	40	112-0879	1	Nozzle-Water, Deck
8	112-0513	1	Screw-HH	41	112-0334	1	Bolt-Shoulder
9	112-0631	1	Screw-HH	42	112-0325	1	Bolt-Shoulder
10	112-6070	1	Screw-TAP	43	112-0316	1	Blade-17.90 Inch
11	112-0373	1	Screw-HH	44	112-0436	1	Pin-Handle, Deck Release
12	112-0524	1	Screw-HWHTF	45	112-0497	1	Rod-Front, Adjust
13	112-0676	1	Screw-TAP	46	112-0691	1	Spacer
14	112-0590	1	Screw-HH	47	112-6186	1	Belt-V, Section A
15	112-0452	1	Bolt-CARR	48	112-0314	1	Pulley-Idler
16	112-0682	1	Pin-Roller	50	112-5837	1	Skirt-Center
17	112-0458	1	Nut-Hex	51	112-0612	1	Skirt-RH
18	112-0650	1	Nut-Lock, Flange	52	112-0571	1	Bracket-Clutch
19	112-0668	1	Nut-Lock, Flange	53	112-0689	1	Bracket-Deck, Up Stop
20	112-0330	1	Nut-Lock, Flange	55	112-6041	1	Cover-Belt, LH
21	112-0351	1	Nut-Hex	56	112-6040	1	Cover-Belt, RH
22	112-0437	1	Nut-Hex	57	112-5846	1	Chute Deflector ASM
23	112-0537	1	Nut-Hex	58	112-1265	1	Decal-Danger
24	112-0476	1	Nut-Lock, Hex (Nylon)	59	112-1273	1	Decal-Belt Routing, Deck
25	112-0568	1	Pin-Cotter	60	112-3710	1	Decal-Danger, Deck



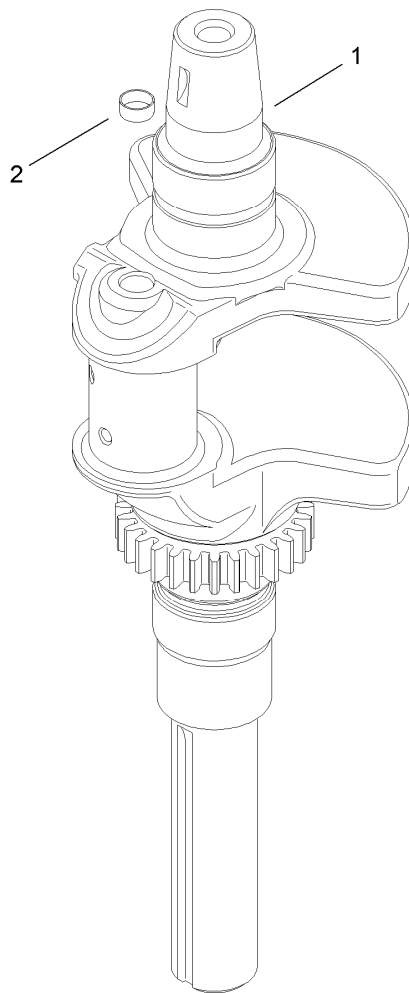
Front and Rear Wheel Assembly

<i>Ref.</i>	<i>Part Number</i>	<i>Qty.</i>	<i>Description</i>
1	112-0876	1	Tire-Turf
2	112-0849	1	Rim ASM
3	112-0847	1	Wheel ASM
4	112-0877	1	Tire-Turf
5	112-0919	1	Rim ASM
6	112-0848	1	Wheel ASM
7	112-5968	1	Cap-Hub
8	112-0503	1	Valve-Air, Tubeless
9	112-0911	1	Nut-Lug
10	112819	1	Tube-Inner
11	231-90	1	Tube



Engine and Muffler Assembly

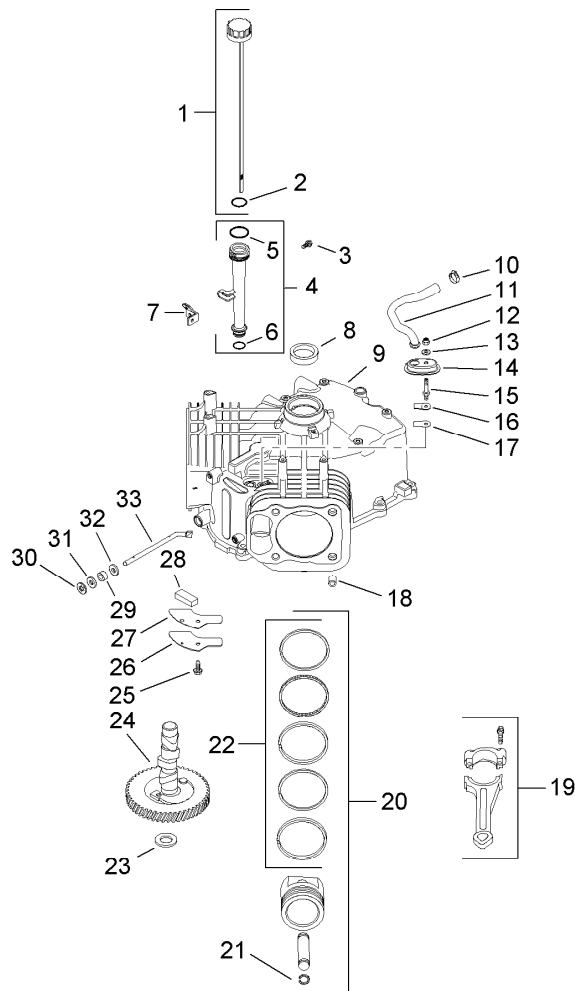
<i>Ref.</i>	<i>Part Number</i>	<i>Qty.</i>	<i>Description</i>
1	112-6096	1	Shield-Muffler
2	112-0626	1	Screw-HWHTF
3	112-6163	1	Screw-HH, TAP
4	112-0587	1	Screw-TAP
5	112-6012	1	Screw-HSH
7	112-0527	1	Tie-Cable
8	112-0573	1	Clamp-Hose
9	112-3741	1	Rivet-Pop
11	112-0453	1	Deflector-Muffler
12	112-0720	1	Hose-Fuel
13	112-0730	1	Deflector-Muffler, Long
14	112-6094	1	Drain-Oil
15	112-6164	1	Muffler-Twin
16	112-0553	1	Hose-Drain



Crankshaft Assembly Kohler SV730-0018

<i>Ref.</i>	<i>Part Number</i>	<i>Qty.</i>	<i>Description</i>
1	32 014 04-S	1	Crankshaft ASM (Includes 2) ●
2	52 139 09-S	1	Plug-Cup ●

● Obtain parts from www.kohlerplus.com

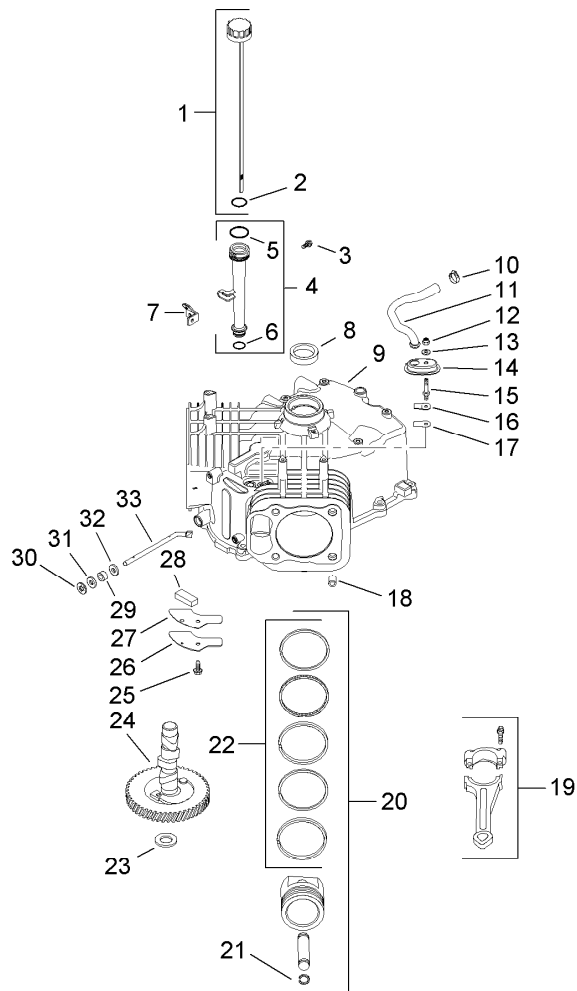


Crankcase Assembly Kohler SV730-0018

Ref.	Part Number	Qty.	Description	Ref.	Part Number	Qty.	Description
1	32 038 01-S	1	Dipstick Kit (Includes 2) ■	20	32 874 06-S	2	Piston W/Ring Set (Standard) (Includes 21-22) ■
2	12 153 03-S	1	O-Ring ■	21	24 018 01-S	4	Retainer-Pin, Piston ■
3	M-545016-S	1	Screw-Flange, Thread Forming (M5X0.8X16) ■	22	24 108 11-S	2	Ring Set (STD And .08) ■
4	12 123 04-S	1	Oil Fill Tube ASM (Includes 5-6) ■	23	12 422 10-S	1	Shim-Camshaft (Yellow .034) ■
5	12 153 02-S	1	O-Ring ■	23	12 422 09-S	1	Shim-Camshaft (Red .032) ■
6	12 153 01-S	1	O-Ring ■	23	12 422 13-S	1	Shim-Camshaft (Black .04) ■
7	24 126 19-S	1	Bracket-Tube, Oil Fill ■	23	12 422 07-S	1	Shim-Camshaft (White .028) ■
8	24 032 01-S	1	Seal-Oil ■	23	12 422 08-S	1	Shim-Camshaft (Blue .03) ■
9		1	Crankcase (Use: Short Block # 32 522 03) ● ■	23	12 422 11-S	1	Shim-Camshaft (Green .036) ■
10	25 237 14-S	1	Clamp-Hose, Spring (1/2) ■	23	12 422 12-S	1	Shim-Camshaft (Gray .038) ■
11	32 326 04-S	1	Hose-Breather ■	24	32 012 01-S	1	Camshaft Kit ■
12	M-547050-S	1	Nut-Lock (M5X.8) ■	25	M-645016-S	1	Screw-Flange, Thread Forming (M6X1.0X16) ■
13	32 468 01-S	1	Washer-Sealing ■	26	32 096 04-S	1	Breather Cover Kit ■
14	32 081 02-S	1	Breather Housing Kit ■	27	32 041 01-S	1	Gasket-Cover, Breather ■
15	32 072 02-S	1	Stud-Breather Cover ■	28	32 050 01-S	1	Filter-Breather ■
16	24 018 04-S	1	Retainer-Reed, Breather ■				
17	24 402 05-S	1	Reed-Breather ■				
18	24 380 16-S	6	Pin-Locating ■				
19	24 067 13-S	2	Rod-Connecting (Standard) ■				

● Not serviced separately

■ Obtain parts from www.kohlerplus.com

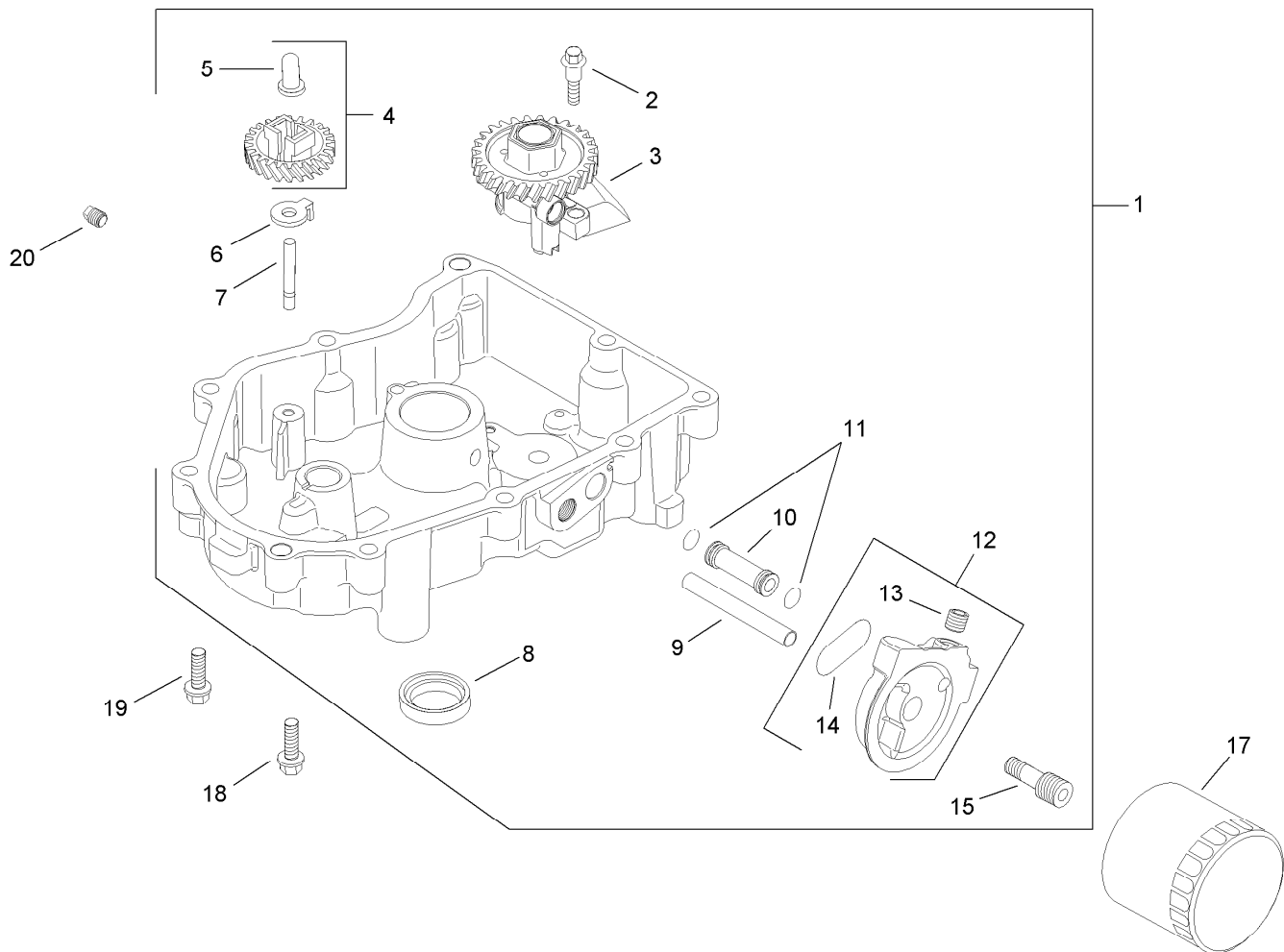


Crankcase Assembly Kohler SV730-0018 (continued)

<i>Ref.</i>	<i>Part Number</i>	<i>Qty.</i>	<i>Description</i>	<i>Ref.</i>	<i>Part Number</i>	<i>Qty.</i>	<i>Description</i>
29	28 032 09-S	1	Seal-Cross Shaft, Governor ■	31	M-931010-S	1	Washer-Flat (9Mm) ■
30	24 018 09-S	1	Retainer-Ring ■	32	24 468 15-S	1	Washer-Flat (11/32) ■
				33	24 144 38-S	1	Shaft-Cross, Governor ■

● Not serviced separately

■ Obtain parts from www.kohlerplus.com

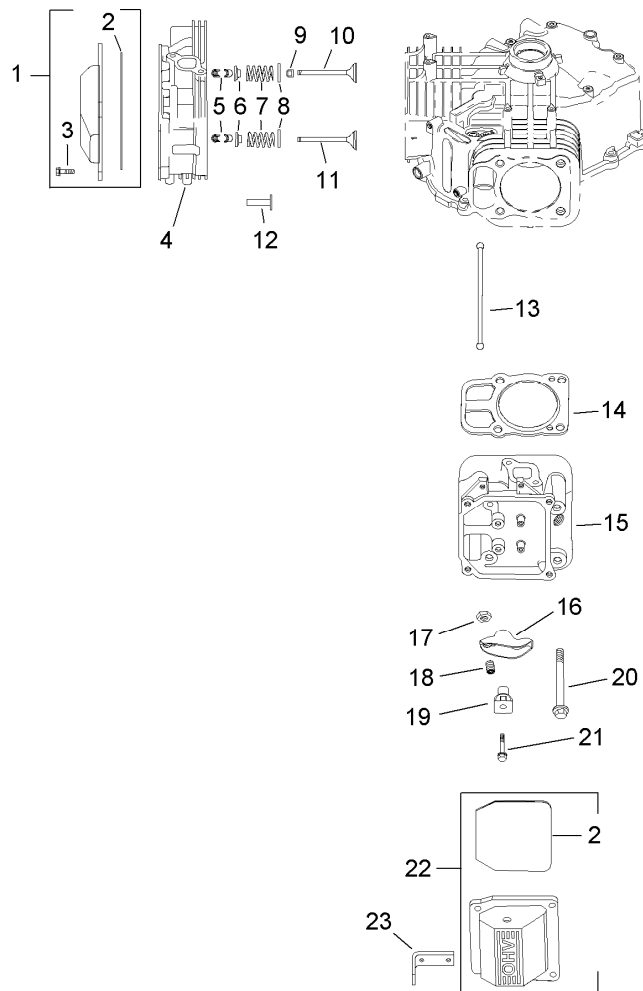


Oil Pan and Lubrication Assembly Kohler SV730-0018

<i>Ref.</i>	<i>Part Number</i>	<i>Qty.</i>	<i>Description</i>
1	32 199 02-S	1	Oil Pan ASM (Includes 2-15) ■
2	32 086 01-S	2	Screw-Shoulder, Thd Frm (M6X1.0X26.5) ■
3	32 393 08-S	1	Oil Pump ASM ■
4	24 043 12-S	1	Governor Gear Kit W/Pin (Includes 5) ■
5	12 380 01-S	1	Pin-Regulating, Governor ■
6	24 448 02-S	1	Tab-Locking ■
7	12 144 02-S	1	Shaft-Gear, Governor ■
8	52 032 08-S	1	Seal-Oil (PTO End) ■
9	32 123 01-S	1	Tube-Feed, Oil (Filter To Pan) ■
10	32 123 03-S	1	Tube-Feed, Oil (Pan To Filter) ■
11	24 153 01-S	2	O-Ring ■
12	32 029 07-S	1	Adapter-Oil Filter (Includes 13-14) ■
13	25 139 60-S	1	Plug-Pipe, Countersunk (1/8) ■
14	32 153 02-S	1	O-Ring-Oil Filter Adapter ■
15	32 136 03-S	1	Nipple-Filter, Oil ■
17	98020	1	Filter-Oil ■●
18	24 086 17-S	1	Screw-Flange (M8X1.25X45) ■
19	24 086 16-S	9	Screw-HF (M8X1.25X45) ■
20	25 139 57-S	1	Plug-Pipe, Sq HD (3/8) ■

● Obtain from your local Toro dealer

■ Obtain parts from www.kohlerplus.com

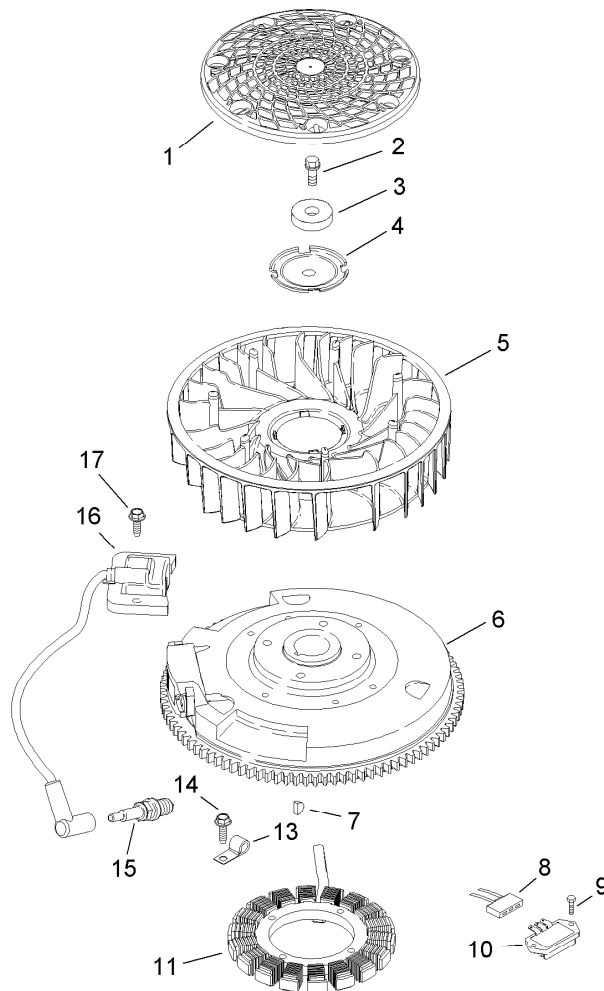


Head, Valve and Breather Assembly Kohler SV730-0018

Ref.	Part Number	Qty.	Description	Ref.	Part Number	Qty.	Description
1	24 755 141-S	1	Plain Valve Cover ASM (Includes 2-3) ■	13	32 411 02-S	4	Rod-Push ■
2	24 153 28-S	1	O-Ring ■	14	24 841 03-S	2	Cylinder Head Gasket Kit ■
3	M-651030-S	8	Screw-Flange (M6X1.0X30) ■	15	32 318 02-S	1	Head ASM (No.2 Cylinder) ■
4	32 318 01-S	1	Head ASM (No.1 Cylinder) ■	16	32 186 02-S	4	Arm-Rocker ■
5	12 755 03-S	8	Retainer Kit ■	17	32 100 04-S	4	Nut-Hex (M10X0.75) ■
6	12 173 01-S	4	Cap-Spring, Valve ■	18	32 086 03-S	4	Screw-Set ■
7	24 089 02-S	4	Spring-Valve ■	19	32 599 01-S	4	Pivot-Rocker Arm ■
8	235011-S	4	Retainer-Spring ■	20	12 086 16-S	8	Screw-Flange (M10X1.5X90) ■
9	66 032 05-S	2	Seal-Stem, Valve ■	21	32 086 04-S	4	Screw-Hex Flange (M6X1.0X45) ■
10	24 017 01-S	2	Valve-Intake (STD) ■	22	32 096 06-S	1	Breather Valve Cover ASM (Includes 2) ■
10	24 017 02-S	2	Valve-Intake (.25) ■	23	24 445 01-S	1	Strap-Lifting ■
11	24 016 01-S	2	Valve-Exhaust (STD) ■	24	24 041 49-S	1	Gasket-Exhaust ● ■
11	24 016 02-S	2	Valve-Exhaust (.25) ■	25	24 153 27-S	1	O-Ring ● ■
12	32 019 01-S	4	Tappet ■				

● Not illustrated

■ Obtain parts from www.kohlerplus.com



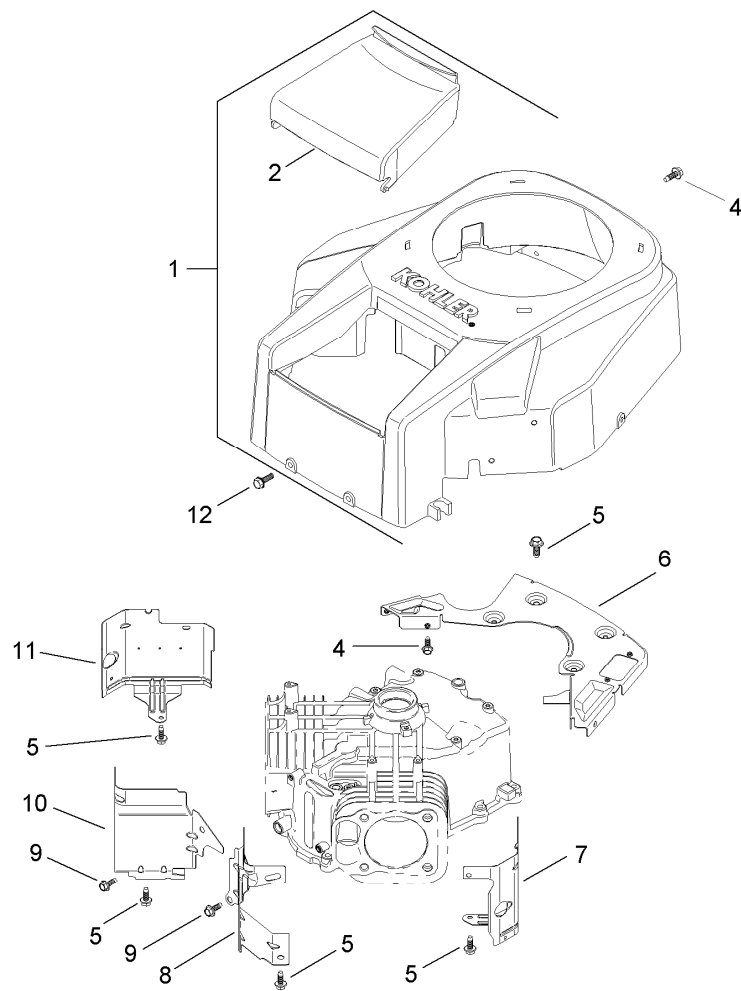
Ignition and Electrical Assembly Kohler SV730-0018

Ref.	Part Number	Qty.	Description
1	32 162 03-S	1	Screen-Grass ▲
2	12 086 14-S	1	Screw-Flange (M10X1.5X45) ▲
3	12 468 03-S	1	Washer-Flat (13/32) ▲
4	20 146 02-S	1	Plate-Fan Mounting ▲
5	32 157 01-S	1	Fan ▲
6	32 025 08-S	1	Flywheel ▲
7	X-42-15-S	1	Key (3/16 X 5/8) ▲
8	236602-S	1	Connector (3 Contact) ▲
9	M-551016-S	2	Screw-Hex Flange, Heavy (M5X0.8X16) ▲
10	41 403 09-S	1	Rectifier-Regulator ▲
11	32 085 01-S	1	15 Amp Stator Kit ▲
13	235173-S	1	Clip-Cable ▲
14	M-548025-S	2	Screw-Thread Forming (M5X0.8X25) ▲
15	77-7330	1	Plug-Spark ▲■
16	24 584 01-S	2	Module-Ignition ▲
17	M-545020-S	4	Screw-Flange, Thread Forming (M5X.8X20) ▲
18	32 176 04-S	1	Harness-Wiring ●▲
19	25 454 03-S	2	Tie-Wire ●▲

● Not illustrated

▲ Obtain parts from www.kohlerplus.com

■ Obtain from your local Toro dealer

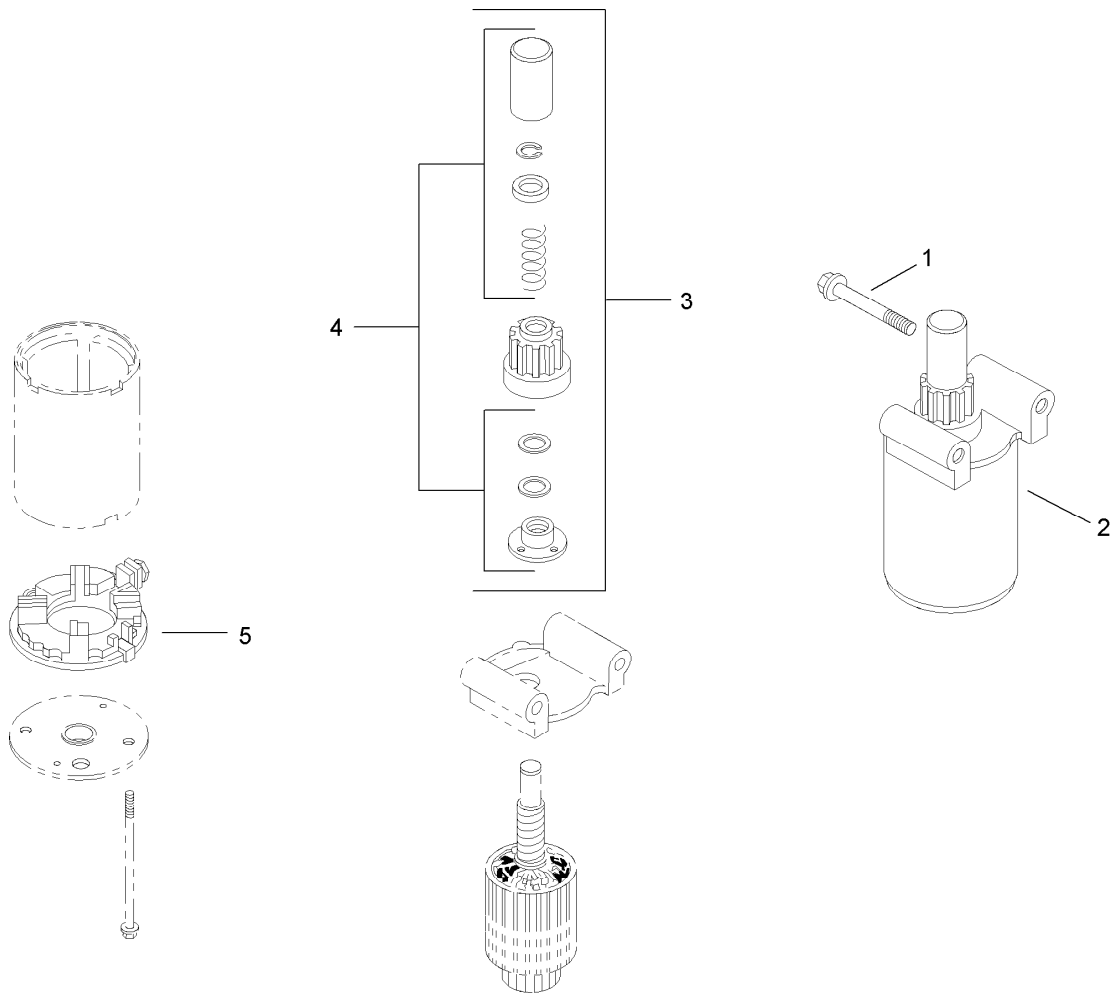


Blower Housing and Baffle Assembly Kohler SV730-0018

Ref.	Part Number	Qty.	Description
1	32 027 03-S	1	Housing-Blower (Includes 2 And 41 037 10-S) ■
2	32 096 08-S	1	Cover-Cleaner, Air ■
4	M-545016-S	6	Screw-Flange, Thread Forming (M5X0.8X16) ■
5	M-645016-S	8	Screw-Flange, Thread Forming (M6X1.0X16) ■
6	32 146 05-S	1	Plate-Backing ■
7	32 063 05-S	1	Baffle-Cylinder Barrel (No.2 Side) ■
8	32 063 02-S	1	Baffle-Valley (No.2 Side) ■
9	M-545010-S	2	Screw-HHFTF (M5X.80X10) ■
10	32 063 03-S	1	Baffle-Valley (No.1 Side) ■
11	32 063 06-S	1	Baffle-Cylinder Barrel (No.1 Side) ■
12	24 086 12-S	2	Screw-TAP (M6X1.7X18) ■
13	41 037 10-S	1	Nameplate-Service ● ■

● Not illustrated

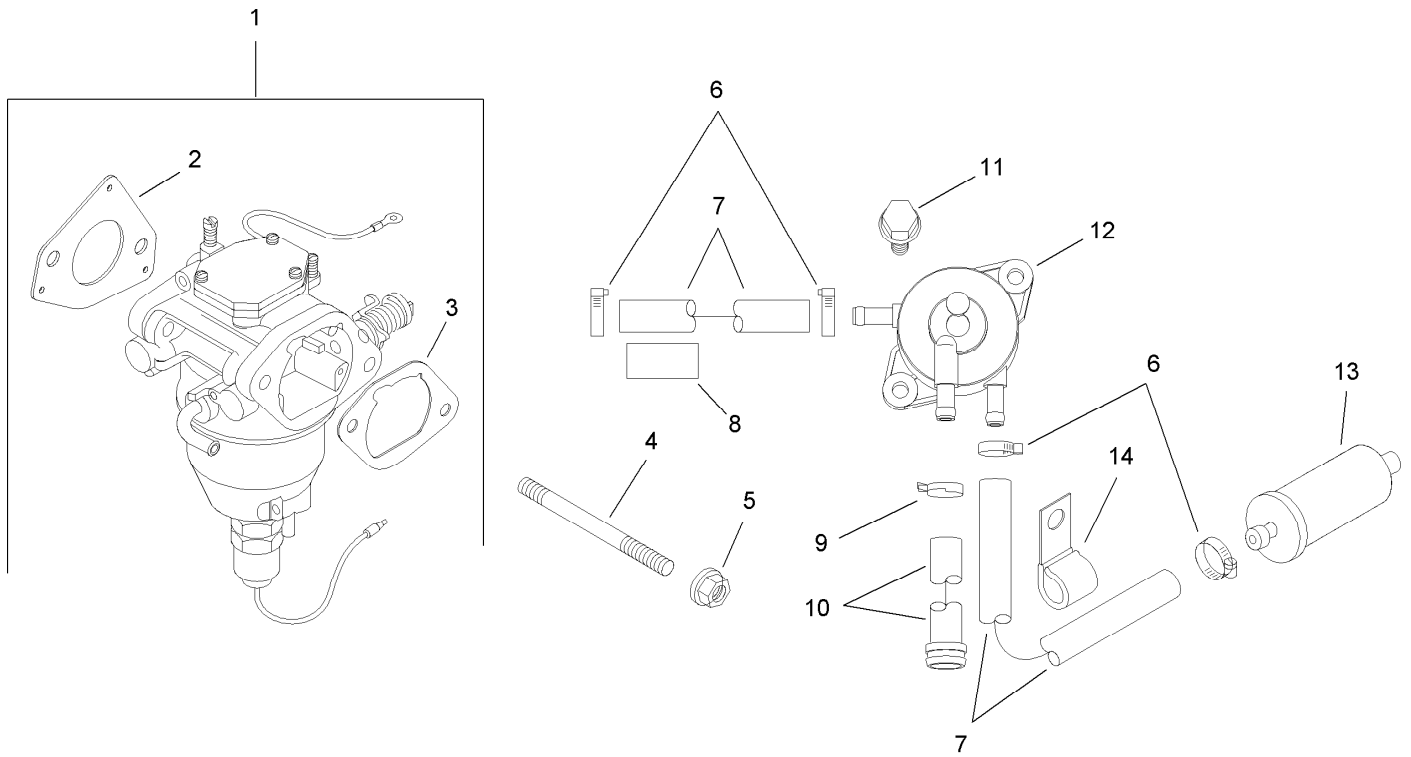
■ Obtain parts from www.kohlerplus.com



Starting System Assembly Kohler SV730-0018

Ref.	Part Number	Qty.	Description
1	M-839080-S	2	Screw-Flg (M8X1.25X80) ●
2	32 098 01-S	1	Starter ASM (Includes 3-5) ●
3	12 755 39-S	1	Drive Kit ●
4	12 755 38-S	1	Drive Part Kit ●
5	12 243 04-S	1	Commutator-Cap, End ●

● Obtain parts from www.kohlerplus.com



Fuel System Assembly Kohler SV730-0018

Ref.	Part Number	Qty.	Description
1	32 853 04-S	1	Carburetor Kit W/Gaskets (Includes 2-3) □
2	24 041 52-S	1	Gasket-Carburetor □
3	24 041 14-S	1	Gasket-Base, Air Cleaner □
4	M-629105-S	2	Stud (M6X1.0X106) □
5	M-641060-S	2	Nut-Flange (M6X1.0) □
6	25 237 14-S	4	Clamp-Hose, Spring (1/2) □
7	25 111 34-S	2	Line-Fuel (24.0 Cut To Length) □
8	25 431 10-S	1	Sleeve-Abrasion, Anti □
9	25 237 01-S	1	Clamp-Hose □
10	32 326 02-S	1	Fuel Pump Hose Kit (W/Clamp) □
11	24 086 12-S	2	Screw-TAP (M6X1.7X18) □
12	24 393 16-S	1	Pump-Fuel □
13	98021	1	Filter-Fuel □ ▲
14	47 154 01-S	1	Clip-Cable □
15	24 757 36-S	1	Choke Repair/Service Kit □ ● ◆
16	24 757 38-S	1	Gasket Repair/Service Kit □ ● ◆
17	24 757 44-S	1	Float Repair Kit □ ● ◆
18	24 757 45-S	1	Solenoid Valve Repair Kit □ ● ◆
19	24 757 46-S	1	Overhaul Kit W/Gaskets □ ● ◆
20	24 757 18-S	1	Overhaul W/Gaskets Kit □ ● ■
21	24 757 19-S	1	Choke Service Repair Kit ● □ ■

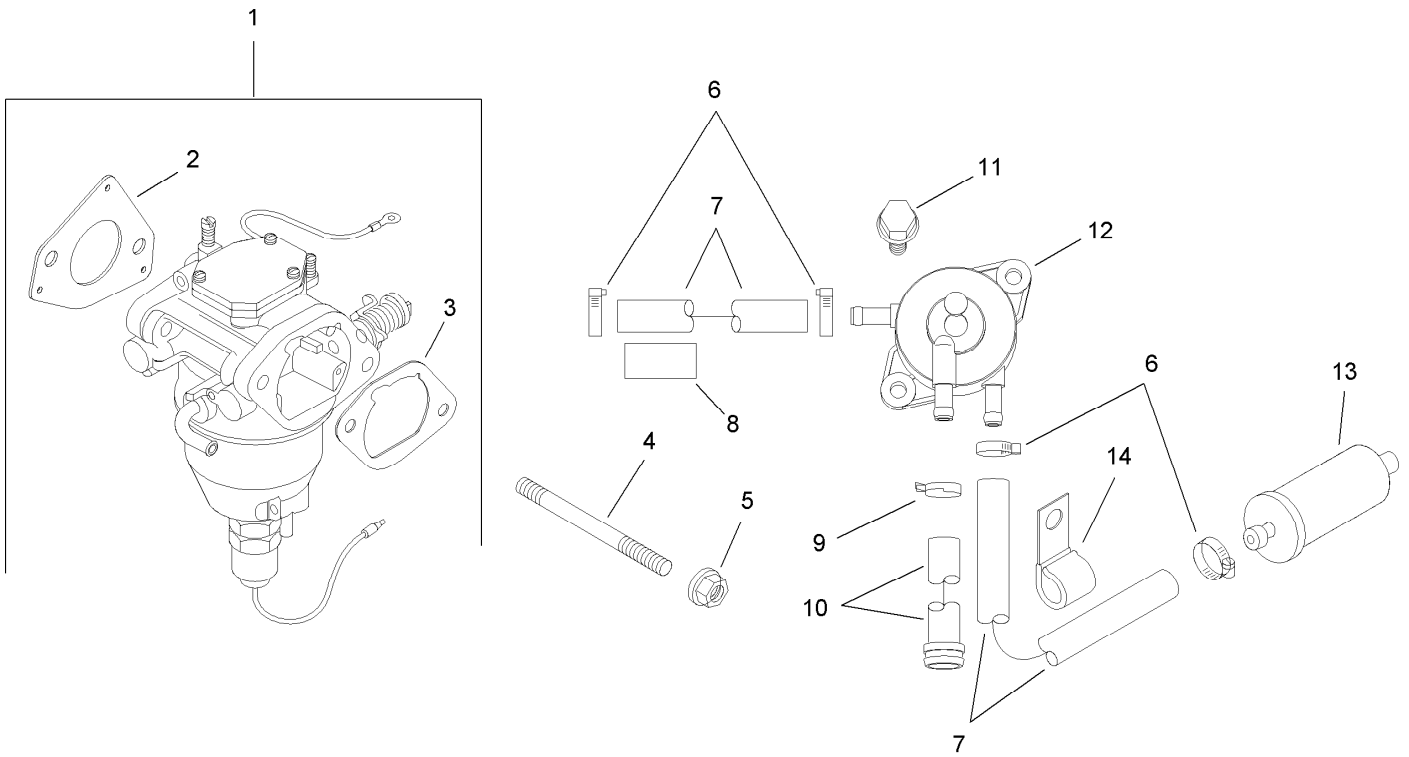
● Not illustrated

▲ Obtain from your local Toro dealer

□ Obtain parts from www.kohlerplus.com

■ For Service of Nikki Carburetors

◆ For Service with Keihin Carburetors

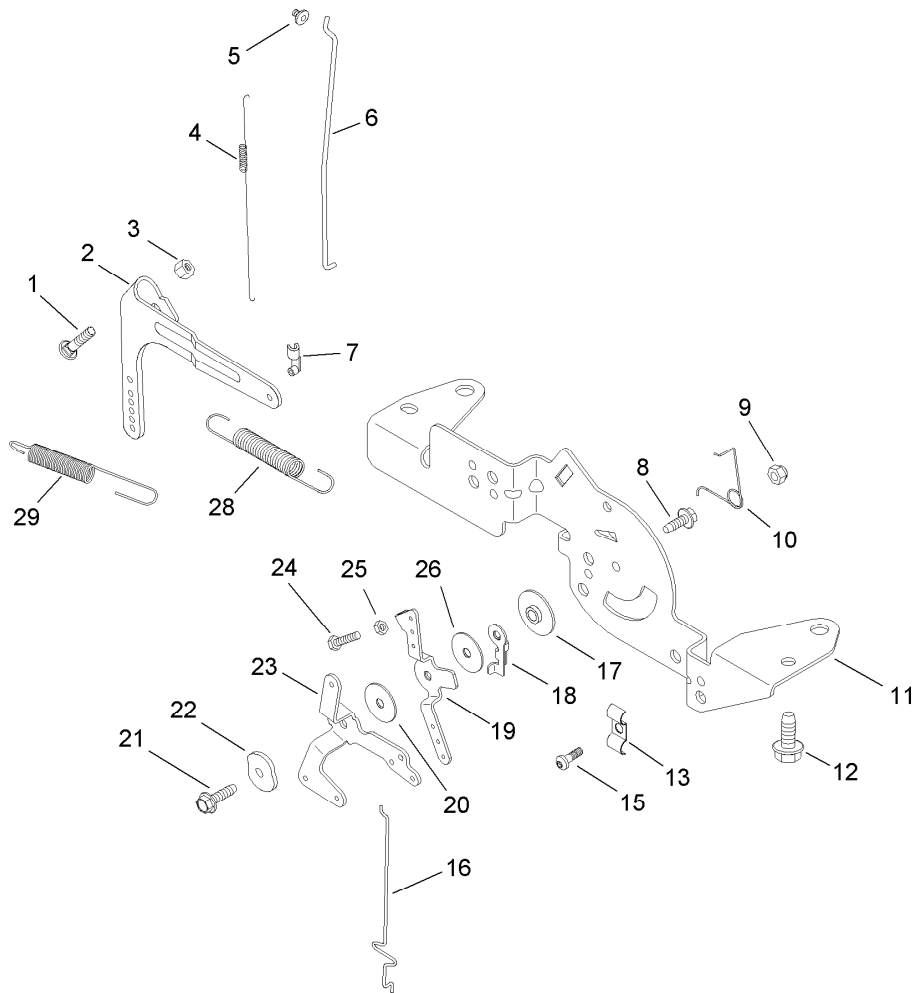


Fuel System Assembly Kohler SV730-0018 (continued)

<i>Ref.</i>	<i>Part Number</i>	<i>Qty.</i>	<i>Description</i>
22	24 757 20-S	1	Gasket Service Repair Kit ● □ ■
23	24 757 22-S	1	Solenoid Valve Service W/Gaskets Kit □ ● ■

- Not illustrated
- ▲ Obtain from your local Toro dealer
- Obtain parts from www.kohlerplus.com

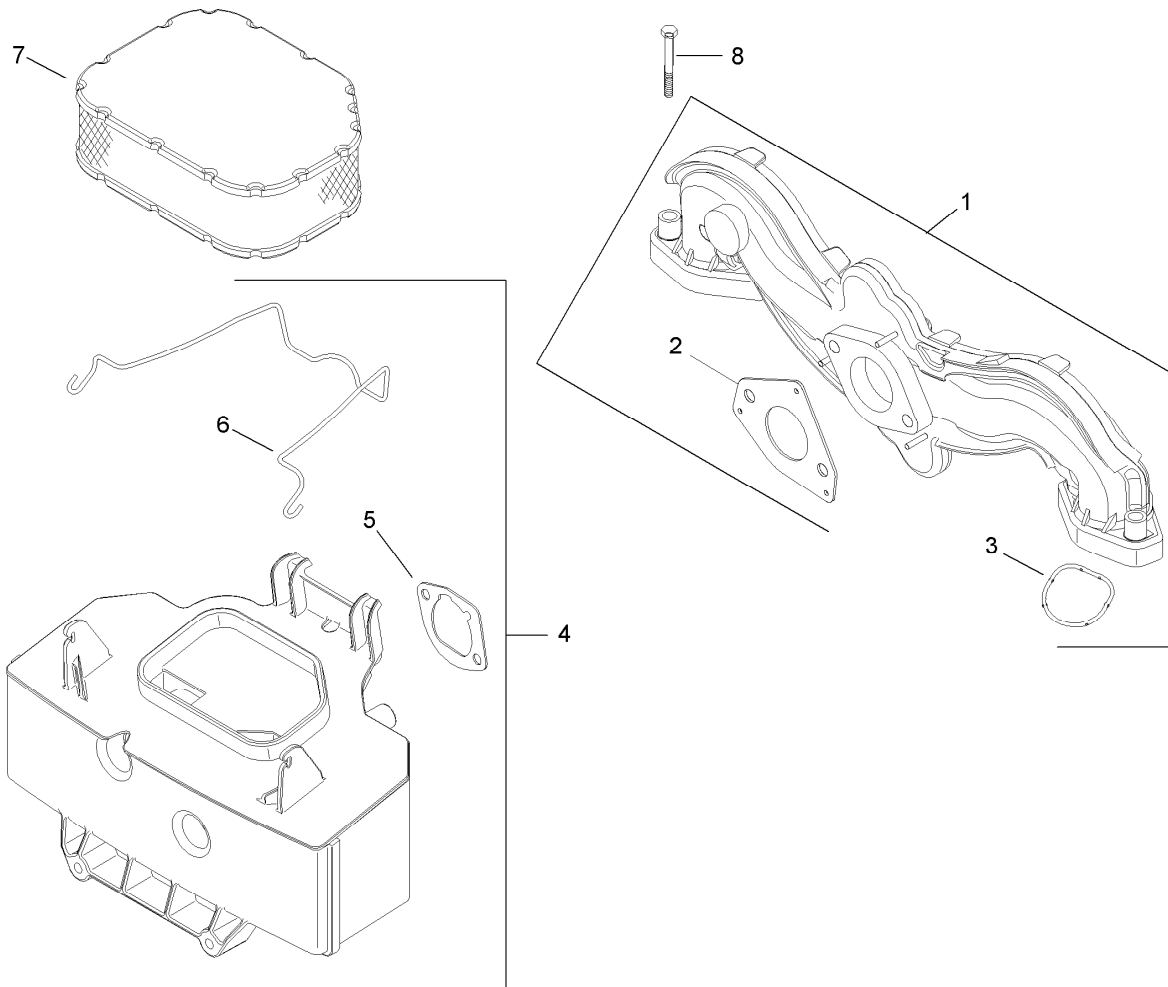
- For Service of Nikki Carburetors
- ◆ For Service with Keihin Carburetors



Engine Control Assembly Kohler SV730-0018

Ref.	Part Number	Qty.	Description	Ref.	Part Number	Qty.	Description
1	24 211 03-S	1	Bolt-Sq Neck, Rd HD (M6X1.0X25) ●	15	24 086 43-S	1	Screw-Lbd, Thd Frm (M5X0.8X16) ●
2	24 090 33-S	1	Lever-Governor ●	16	24 079 22-S	1	Linkage-Choke ●
3	M-641060-S	1	Nut-Flange (M6X1.0) ●	17	24 112 27-S	1	Control Spacer ASM ●
4	24 089 01-S	1	Spring-Linkage ●	18	24 090 47-S	1	Lever-Actuator, Throttle ●
5	25 158 08-S	1	Bushing-Linkage, Throttle ●	19	24 090 13-S	1	Lever-Control, Throttle ●
6	24 079 04-S	1	Linkage-Throttle ●	20	24 468 01-S	1	Washer-Flat (5.5Mm) ●
7	25 158 11-S	1	Bushing-Retaining, Linkage ●	21	M-545020-S	1	Screw-Flange, Thread Forming (M5X.8X20) ●
8	M-545016-S	1	Screw-Flange, Thread Forming (M5X0.8X16) ●	22	41 468 03-S	1	Washer-Spring (1/4) ●
9	M-547050-S	1	Nut-Lock (M5X.8) ●	23	24 090 05-S	1	Lever-Choke ●
10	24 089 03-S	1	Spring-Return, Choke ●	24	M-403025-S	1	Screw-Slotted Head (M4X0.7X25) ●
11	24 126 161-S	1	Bracket-Control ●	25	M-446030-S	1	Nut (M4X0.7) ●
12	M-645016-S	4	Screw-Flange, Thread Forming (M6X1.0X16) ●	26	24 468 20-S	1	Washer-Flat (5Mm) ●
13	47 237 02-S	1	Clamp-Dual, Conduit ●	28	24 089 55-S	1	Spring-Governor ●
				29	24 089 25-S	1	Spring-Governor ●

● Obtain parts from www.kohlerplus.com

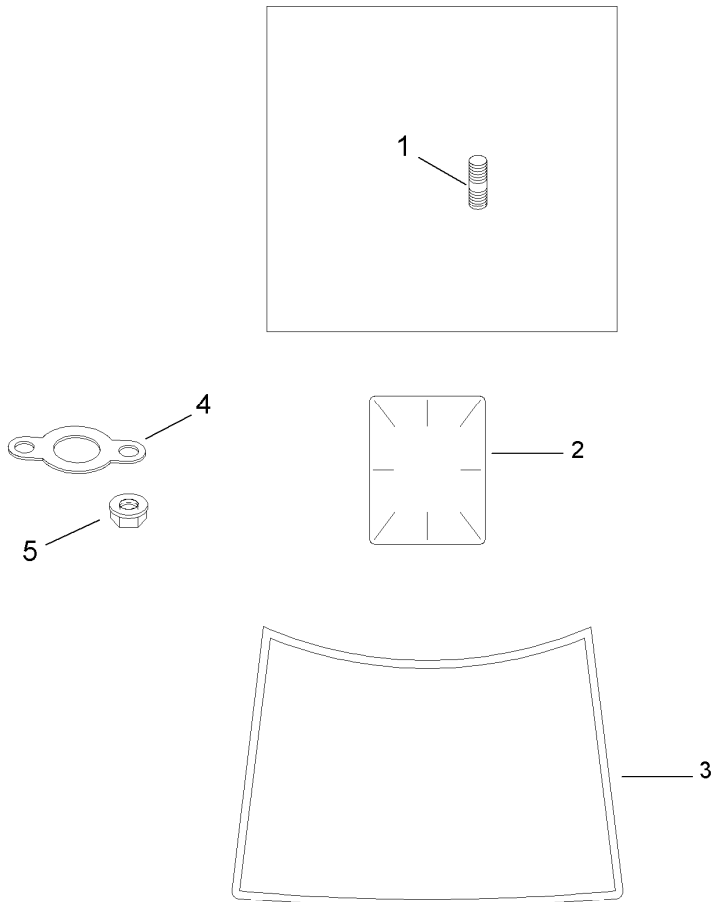


Air Intake and Filtration Assembly Kohler SV730-0018

<i>Ref.</i>	<i>Part Number</i>	<i>Qty.</i>	<i>Description</i>
1	24 164 51-S	1	Manifold-Intake ■
2	24 041 52-S	1	Gasket-Carburetor ■
3	24 153 27-S	2	O-Ring ■
4	32 094 03-S	1	Base-Air Cleaner ■
5	24 041 14-S	1	Gasket-Base, Air Cleaner ■
6	32 344 02-S	1	Latch-Element, Air Cleaner ■
7	98019	1	Element-Air Cleaner ■●
8	M-651040-S	4	Screw-Flange (M6X1.0X40) ■

● Obtain from your local Toro dealer

■ Obtain parts from www.kohlerplus.com



Artwork is representative.
Actual labels may differ depending on model and specification number.

Exhaust Stud, Gasket and Decal Assembly Kohler SV730-0018

Ref.	Part Number	Qty.	Description
1	25 072 04-S	4	Stud (M8X1.25X33) ■
2	25 113 39-S	1	Decal-Laminate, Clear ■
3	32 113 08-S	1	Decal-25 Hp ■
4	24 041 49-S	1	Gasket-Exhaust ■
5	M-841080-S	4	Nut-Flange (M8X1.25) ■
6	32 522 03	1	Shortblock (Sv710-740) ● ■
7	32 755 01-S	1	Overhaul Gasket Kit ● ■

● Not illustrated

■ Obtain parts from www.kohlerplus.com

Attachments and Accessories

For 14AQ81RP544 GT2200 Garden Tractor

Product Name	Model/Part
Washout Port Kit.....	112-5803
42 inch Two-Stage Snowthrower	190-032-101
50 Inch Triple Bagger.....	190-192-190
46 inch Front Blade.....	190-833-000
50 inch Mulch Kit	77220
10 cu. ft. Dump Cart	79901
10 cu. ft. Poly Dump Cart	79935
Folding Loading Ramp.....	79949
Sweeper	79985
12 Inch Rear Wheel Weights	81115
Tire Chains (23 x 9.50-12)	82531
Filter-Air	98019
Filter-Oil	98020
Filter-Fuel	98021
Blade Kit (3 Blades, 50 Inch Decks).....	98024



Count on it.