



**Count on it.**

**Parts Catalog**

**TRX-19 Trencher**

**Model No. 22971—Serial No. 310000001 and Up**

**Model No. 22971G—Serial No. 310000001 and Up**

# Ordering Replacement Parts

To order replacement parts, please supply the part number, the quantity, and the description of each part desired.

## Understanding Reference Numbers

Each identified part in an illustration has a reference number. The reference number for a part also appears in the parts list, along with other information about the part.

This catalog uses two special reference number formats, one to indicate parts in a service assembly and another to indicate the quantity of a given part in an illustration.

## Service Assembly Reference Numbers

Parts in service assemblies have reference numbers in the form a:b. The a represents the reference number of the entire service assembly and the b represents a sequential number unique to each part within the service assembly.

For example, a wheel assembly might be identified by reference number 6, the tire by 6:1, the valve by 6:2, and the wheel by 6:3. When you order the assembly identified by reference number 6, you receive all parts identified by reference numbers 6:1, 6:2, and 6:3. However, you may also order any part individually. Reference numbers of this type appear in illustration and in parts lists.

## Reference Numbers Indicating Quantity

In an illustration, if a reference number indicates more than one part, the reference number has the form nX y. The n represents the quantity of the part, the X is the multiplication symbol, and the y represents the reference number.

For example, in an illustration, the reference number 2X 37 means that two of the parts identified by reference number 37 are indicated.

# List of Abbreviations

**AR:** as required

**ASM:** assembly

**BBC:** blade brake control

**BHTF:** button head thread forming

**CARR:** carriage

**CCW:** counter clockwise

**CW:** clockwise

**DEG:** degrees

**ECM:** electronic control module

**EXT:** external

**FH:** flat head

**GA:** gauge

**HD:** heavy-duty

**HF:** hex flange

**HH:** hex head

**HHF:** hex head flange

**HHFTF:** hex head flange thread forming

**HJ:** hex jam

**HLH:** hex lag head

**HOC:** height-of-cut

**HSBH:** hex socket button head

**HSFH:** hex socket flat head

**HSH:** hex socket head

**HWH:** hex washer head

**HWHTF:** hex washer head thread forming

**HYD:** hydraulic

**LH:** left hand

**LP:** Liquid Propane

**NI:** nylon insert

**NPTF:** national pipe thread fine

**PFH:** phillips flat head

**PPH:** phillips pan head

**PPHTF:** phillips pan head thread forming

**PRH:** phillips round head

**PTH:** phillips truss head

**PTO:** power-take-off

**RH:** right hand

**ROPS:** roll-over protection system

**RRB:** rear roller brush

**SFH:** slotted fillister head

**SHH:** slotted hex head

**SHWH:** slotted hex washer head

**SPH:** slotted pan head

**SQH:** square head

**SRH:** slotted round head

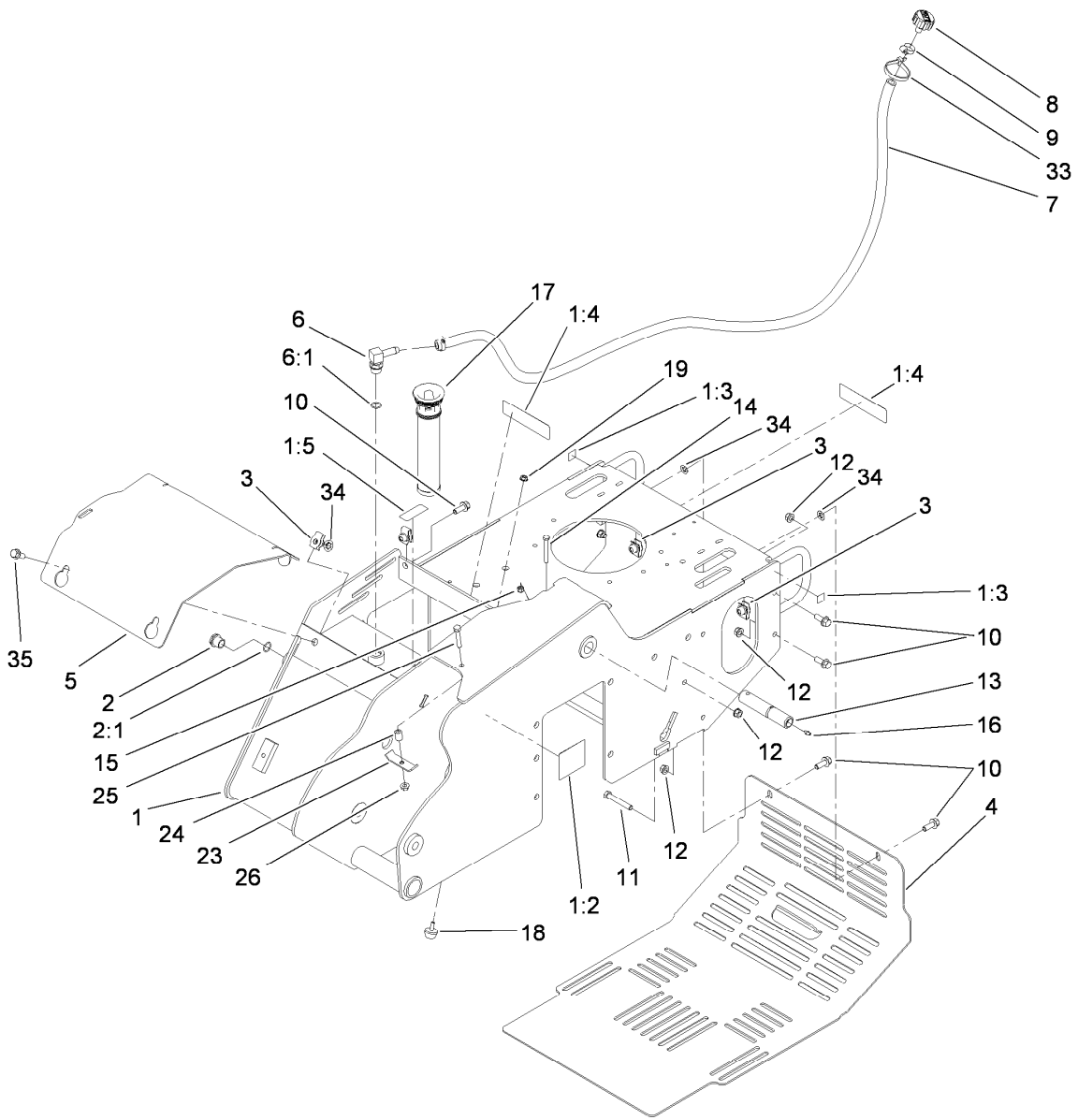
**STD:** standard

**TAP:** self tapping

**TTH:** torx truss head

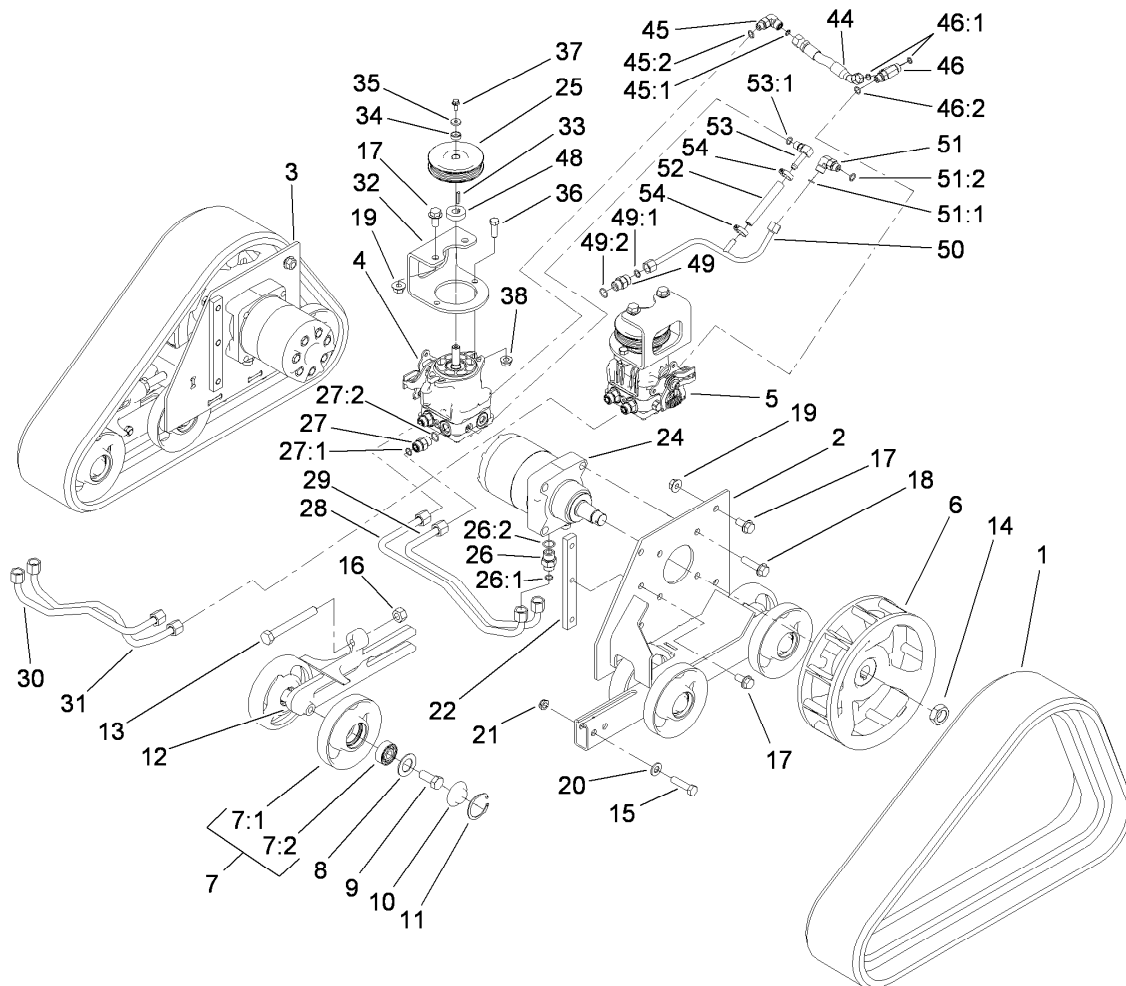
# Contents

Frame Assembly.....	4
Track and Drive Assembly.....	5
Hydraulic Pump Assembly No. 115-4034 and 115-4035.....	7
Hydraulic Motor Assembly No. 104-8470.....	8
Parking Brake Assembly.....	9
Engine Assembly.....	10
Gear Pump Assembly No. 114-3072.....	12
Control Assembly.....	13
Trencher Assembly.....	14
Hydraulic Motor Assembly No. 114-3053.....	15
Hydraulic Cylinder Assembly No. 112-2602.....	16
Control Tower Assembly.....	17
Hydraulic Control Assembly.....	19
2-Spool Valve Assembly No. 115-4062.....	20
Oil Cooler Assembly.....	21
Hydraulic Routing Assembly.....	22
Electrical Assembly.....	23
Cylinder and Crankcase Assembly.....	24
Piston and Crankshaft Assembly.....	25
Valve and Camshaft Assembly.....	26
Lubrication Equipment Assembly.....	27
Cooling Equipment Assembly.....	28
Electric Equipment Assembly.....	29
Control Equipment Assembly.....	30
Carburetor Assembly.....	31
Air Filter and Muffler Assembly.....	32
Fuel Tank and Valve Assembly.....	33
Starter Assembly.....	34
Label Set.....	35
Attachments and Accessories.....	36



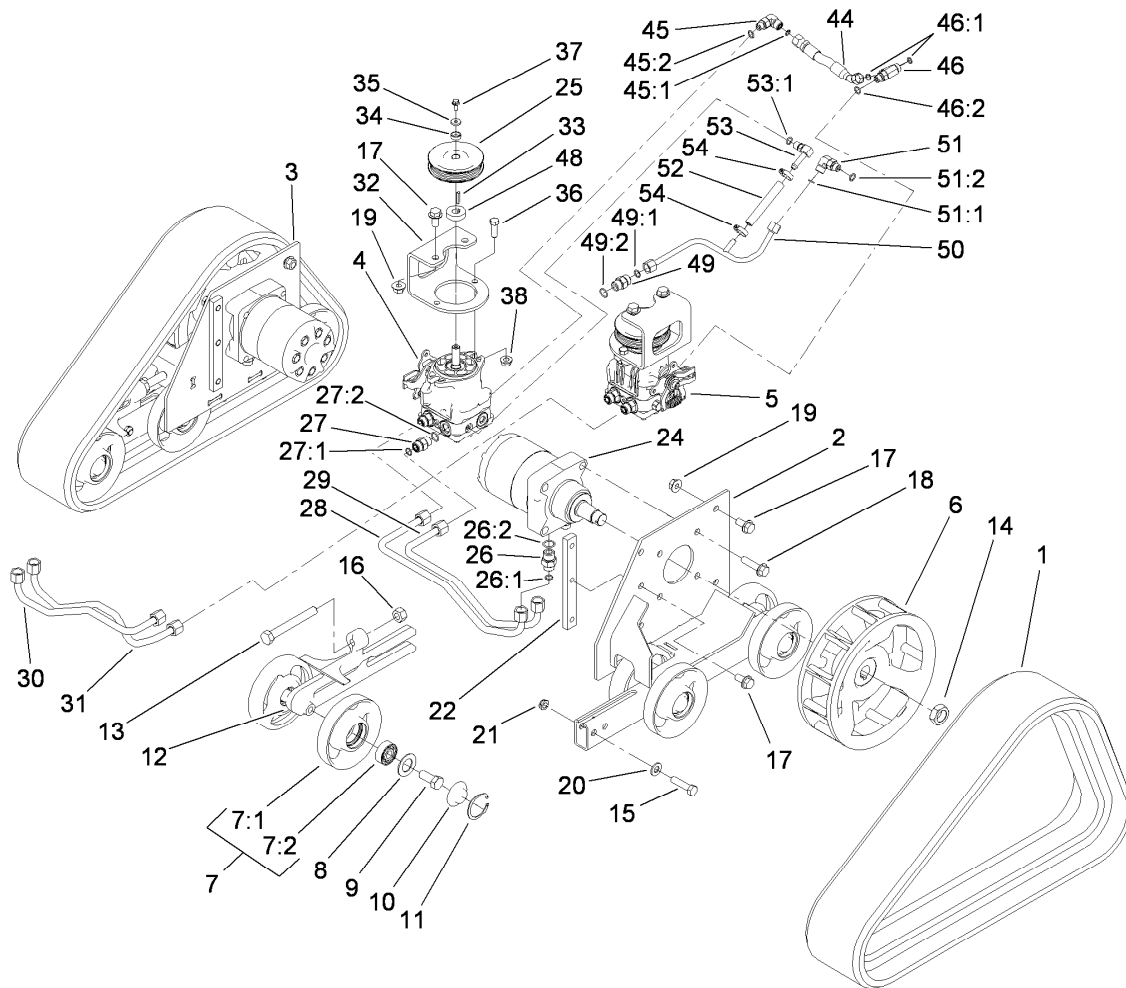
## Frame Assembly

Ref.	Part Number	Qty.	Description	Ref.	Part Number	Qty.	Description
1	114-8630	1	Main Frame ASM	11	323-12	1	Screw-HH
1:2	100-4650	1	Decal-Warning	12	32128-40	2	Nut-Flange
1:3	93-9084	2	Decal-Point, Lift	13	114-2937	1	Pin-Pivot
1:4	93-7814	2	Decal-Danger	14	321-18	1	Screw-HH
1:5	93-6686	1	Decal-Oil, HYD	15	3296-42	1	Nut-Lock, NI
2	114-3075	1	Glass-Sight	16	302-5	1	Fitting-Grease
2:1	237-79	1	O-Ring	17	114-3039	1	In-Tank Filter ASM
3	112-4576	5	Nut-Tinnerman	18	1-523420	1	Bumper
4	115-6503-01	1	Cover-Rear	19	32128-33	1	Nut-HF
5	119-4566-03	1	Plate-Cover, Front	23	100-4860	1	Bracket-Clamp
6	354-120	1	Fitting-HYD, 90 DEG	24	93-5023	1	Spacer
6:1	237-79	1	O-Ring	25	322-10	1	Screw-HH
7	114-3042	1	Hose-Breather	26	32128-20	1	Nut-HF
8	68-6150	1	Breather	33	3334-945	1	Tie-Cable
9	2412-36	2	Clamp-Hose	34	107-3154	5	Nut-Push
10	3234-11	3	Screw-HHF	35	3234-18	2	Screw-HHF



## Track and Drive Assembly

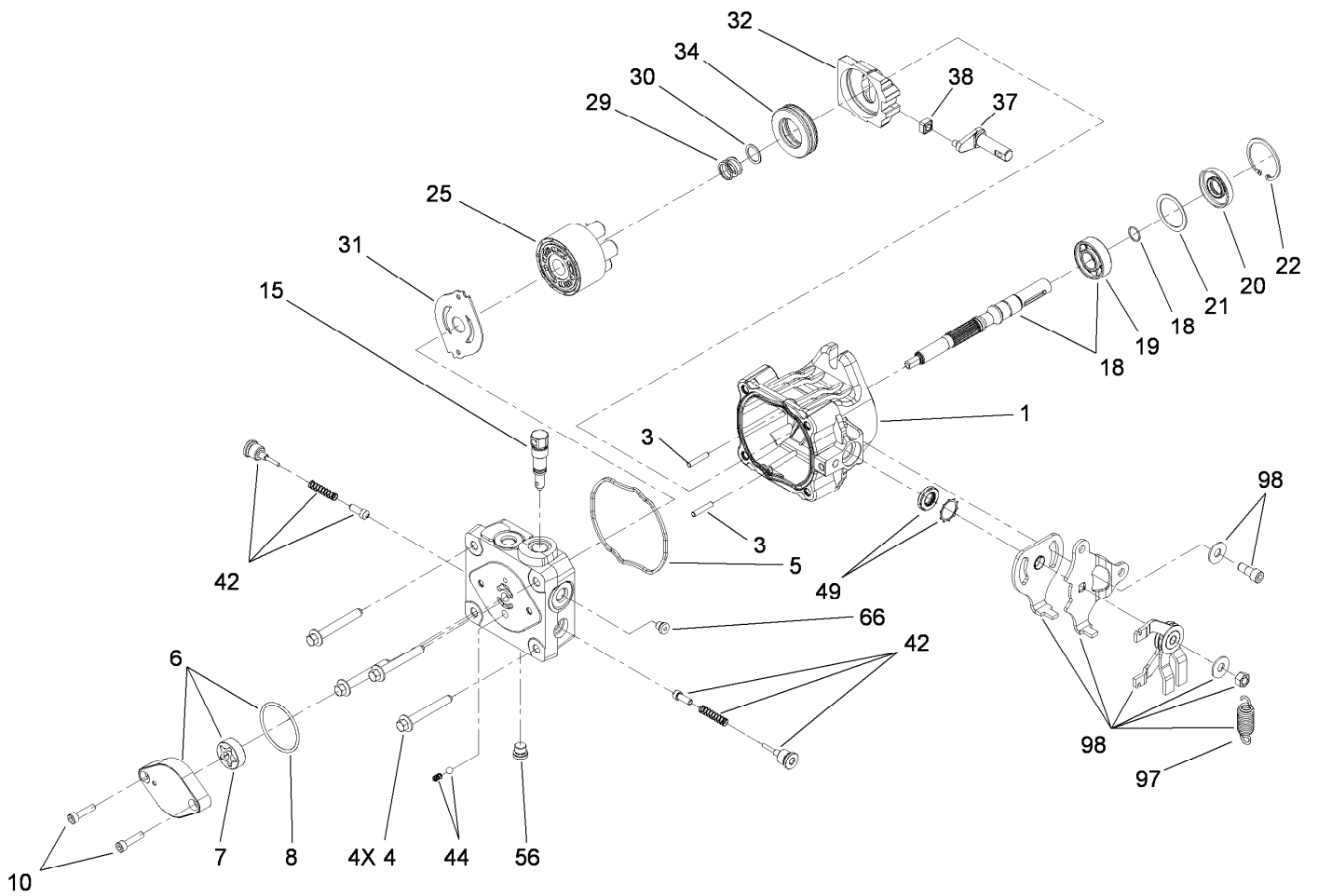
Ref.	Part Number	Qty.	Description	Ref.	Part Number	Qty.	Description
1	112-4816	2	Track-Rubber	26:2	237-80	1	O-Ring
2	114-2992-03	1	LH Track Frame ASM	27	340-4	4	Fitting-HYD, Straight
3	114-2993-03	1	RH Track Frame ASM	27:1	237-30	1	O-Ring
4	115-4034	1	Pump-HYD, RH	27:2	237-79	1	O-Ring
5	115-4035	1	Pump-HYD, LH	28	115-1285	1	HYD Tube ASM
6	117-6426-03	2	Wheel-Drive	29	115-1286	1	HYD Tube ASM
7	112-4817	12	Wheel-Tensioner	30	115-1287	1	HYD Tube ASM
7:1	114-3014-03	1	Wheel-Track	31	115-1288	1	HYD Tube ASM
7:2	93-4237	1	Bearing	32	115-1289-01	2	Bracket-Mount, Pump
8	106-7585	12	Gasket-Bogie	33	80-6090	2	Key-Pump
9	327-4	12	Screw-HH	34	108-4211	2	Bushing
10	106-7557	12	Cap-Wheel, Bearing	35	73-3580	2	Washer
11	106-7595	12	Ring-Snap, Internal	36	324-5	4	Screw-HH
12	114-3077-03	2	Tensioner-Track	37	33103-016	2	Screw-HHF
13	112-4874	2	Screw-HH, TAP	38	32128-42	4	Nut-HF
14	106-8159	2	Nut-Lock	44	115-1297	1	HYD Hose ASM
15	325-8	4	Screw-HH	45	340-77	1	Fitting-HYD, 90 DEG
16	3217-11	2	Nut-Hex	45:1	237-22	1	O-Ring
17	3234-6	14	Screw-HHF ]	45:2	237-42	1	O-Ring
18	3234-27	8	Screw-HHF	46	340-86	1	Fitting-Tee
19	32128-49	8	Nut-HHF	46:1	237-22	2	O-Ring
20	3256-26	4	Washer-Flat	46:2	237-42	1	O-Ring
21	3296-45	4	Nut-Lock, NI	48	115-4002	2	Spacer
22	114-3091	2	Bar-Thread	49	340-3	1	Adapter
24	104-8470	2	HYD Wheel Motor ASM	49:1	237-22	1	O-Ring
25	115-1298	2	Sheave	49:2	237-79	1	O-Ring
26	340-6	4	Fitting-HYD, Straight	50	117-1305	1	HYD Tube ASM
26:1	237-30	1	O-Ring				



## Track and Drive Assembly (continued)

Ref.	Part Number	Qty.	Description
51	340-77	1	Fitting-HYD, 90 DEG
51:1	237-22	1	O-Ring
51:2	237-42	1	O-Ring
52	115-4083	1	Hose

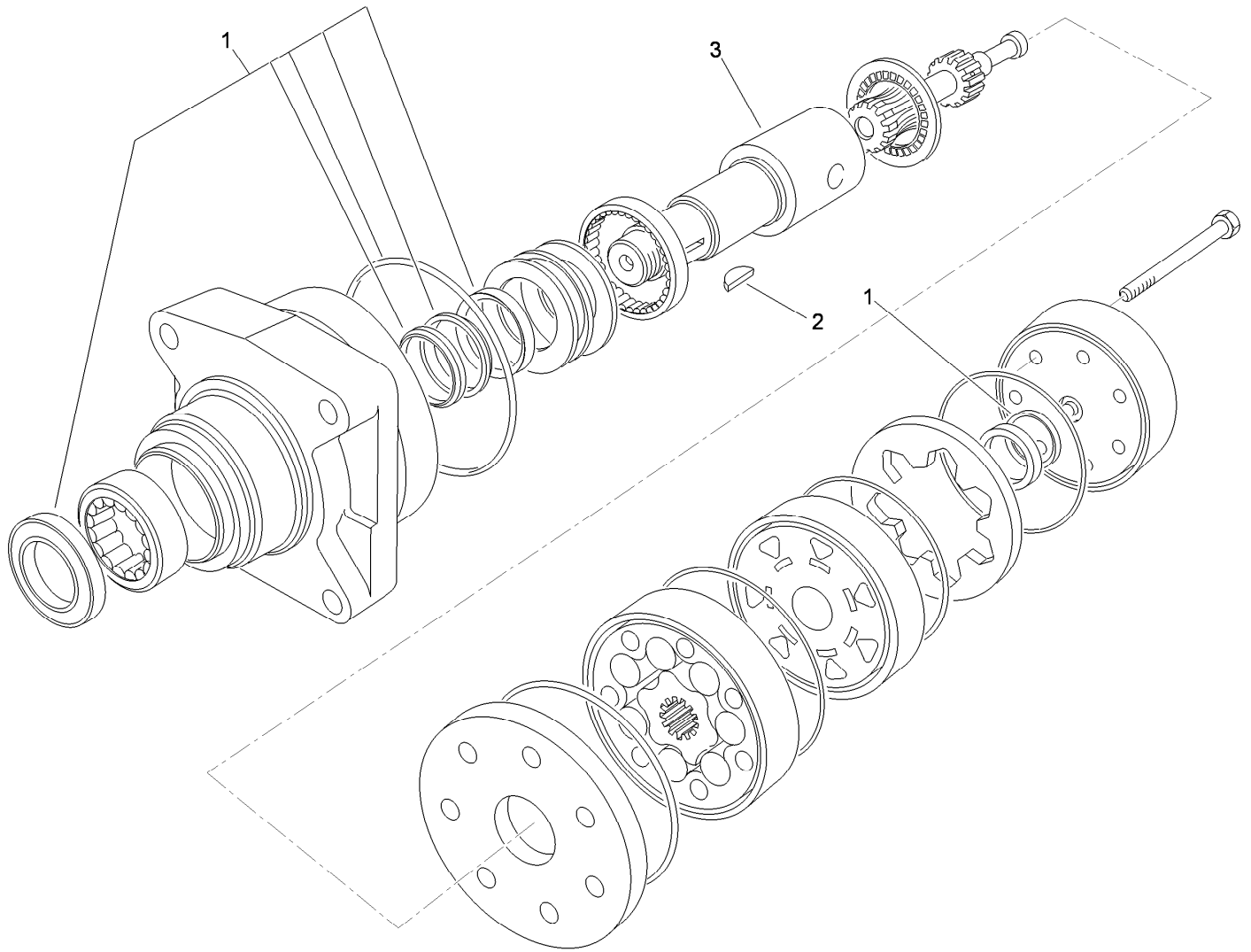
Ref.	Part Number	Qty.	Description
53	100-4887	1	Fitting-Barbed, 90 DEG
53:1	237-42	1	O-Ring
54	2412-36	2	Clamp-Hose



## Hydraulic Pump Assembly No. 115-4034 and 115-4035

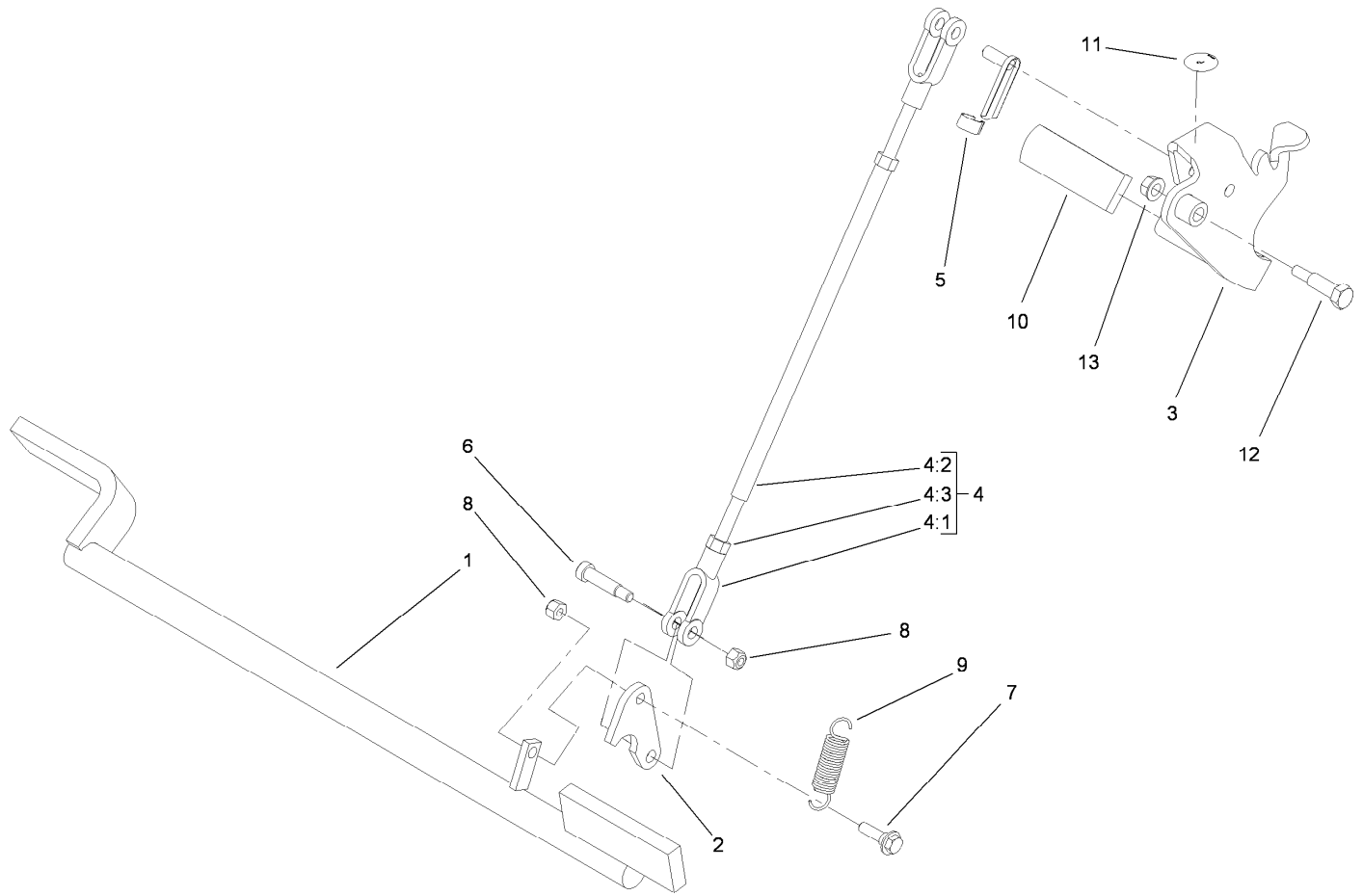
Ref.	Part Number	Qty.	Description	Ref.	Part Number	Qty.	Description
1	115-4464	1	Housing Kit	30	94-1937	1	Washer-Thrust, Block
3	106-8753	2	Pin-Headless, Straight	31	105-6185	1	Plate-Valve
4	106-8754	4	Bolt-HF	32	94-1907	1	Swashplate-Variable
5	106-8755	1	O-Ring	34	94-6922	1	Bearing-Thrust
6	106-8756	1	Charge Pump Kit	37	115-4458	1	Arm-Trunnion, Tapered Square
7	104-2122	1	Gerotor ASM	38	94-1910	1	Guide-Slot
8	106-8757	1	O-Ring	42	98-3252	2	Valve-Check (W/Poppet)
10	104-2111	2	Capscrew	44	106-8760	1	Charge Relief Valve Kit
15	106-8759	1	Bypass Valve Kit	49	114-8155	1	Trunnion Seal Kit
18	103-2664	1	Input Shaft Kit	56	106-8762	1	Plug-HSH
19	104-5311	1	Bearing-Ball	66	106-8763	1	Plug-HSH
20	104-5310	1	Seal-Lip	97	117-6438	1	Spring-Extension,
21	104-5308	1	Spacer	98	115-4046	1	Rtn Kit
22	104-5309	1	Ring-Retaining	99	105-6184	1	Seal Overhaul Kit ●
25	103-2666	1	Cylinder Block Kit				
29	94-1936	1	Spring-Block				

● Not illustrated



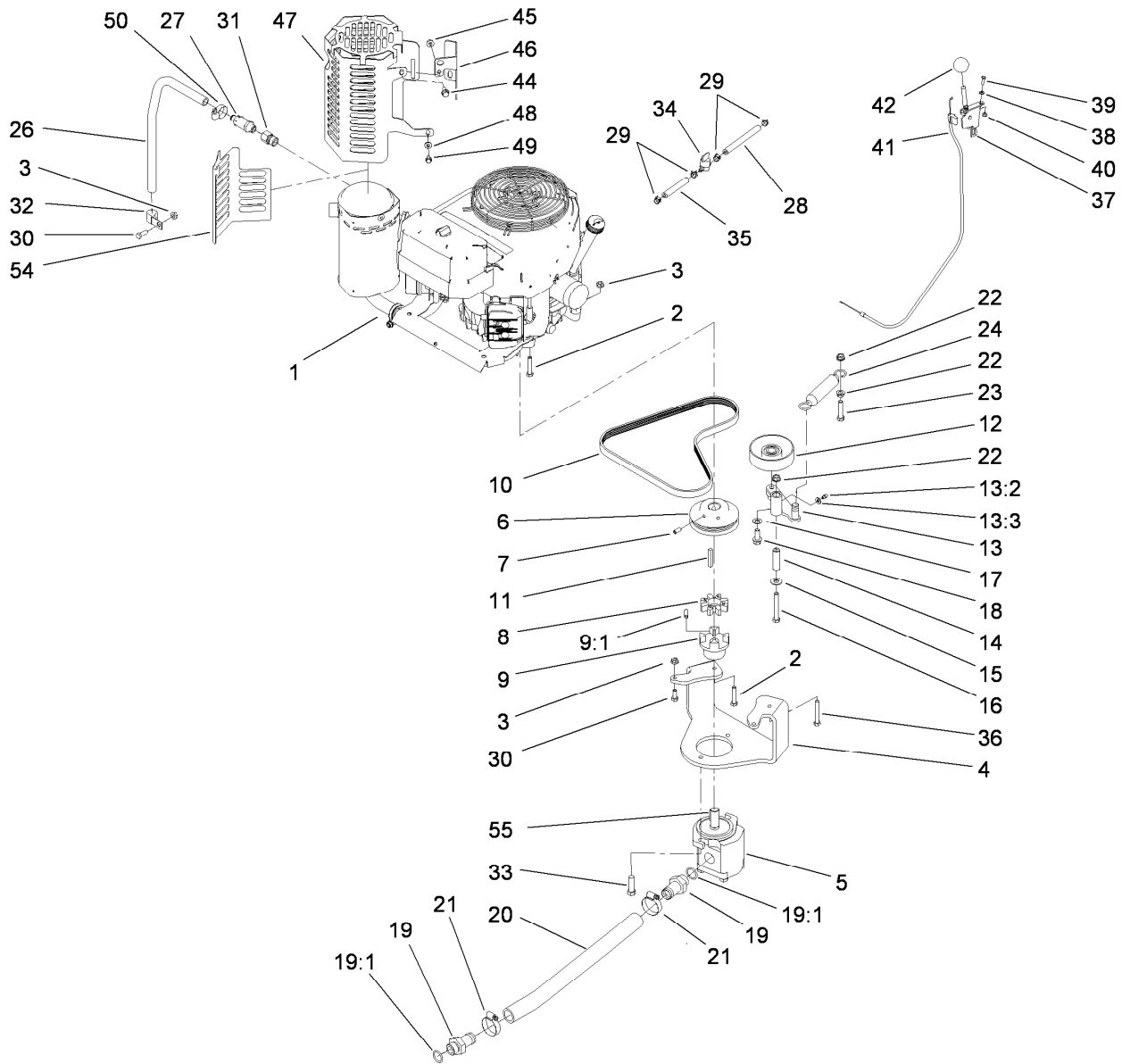
## Hydraulic Motor Assembly No. 104-8470

<i>Ref.</i>	<i>Part Number</i>	<i>Qty.</i>	<i>Description</i>
1	115-4061	1	Seal Kit
2	3257-42	1	Key-Woodruff
3	99-3090	1	Shaft-Coupling



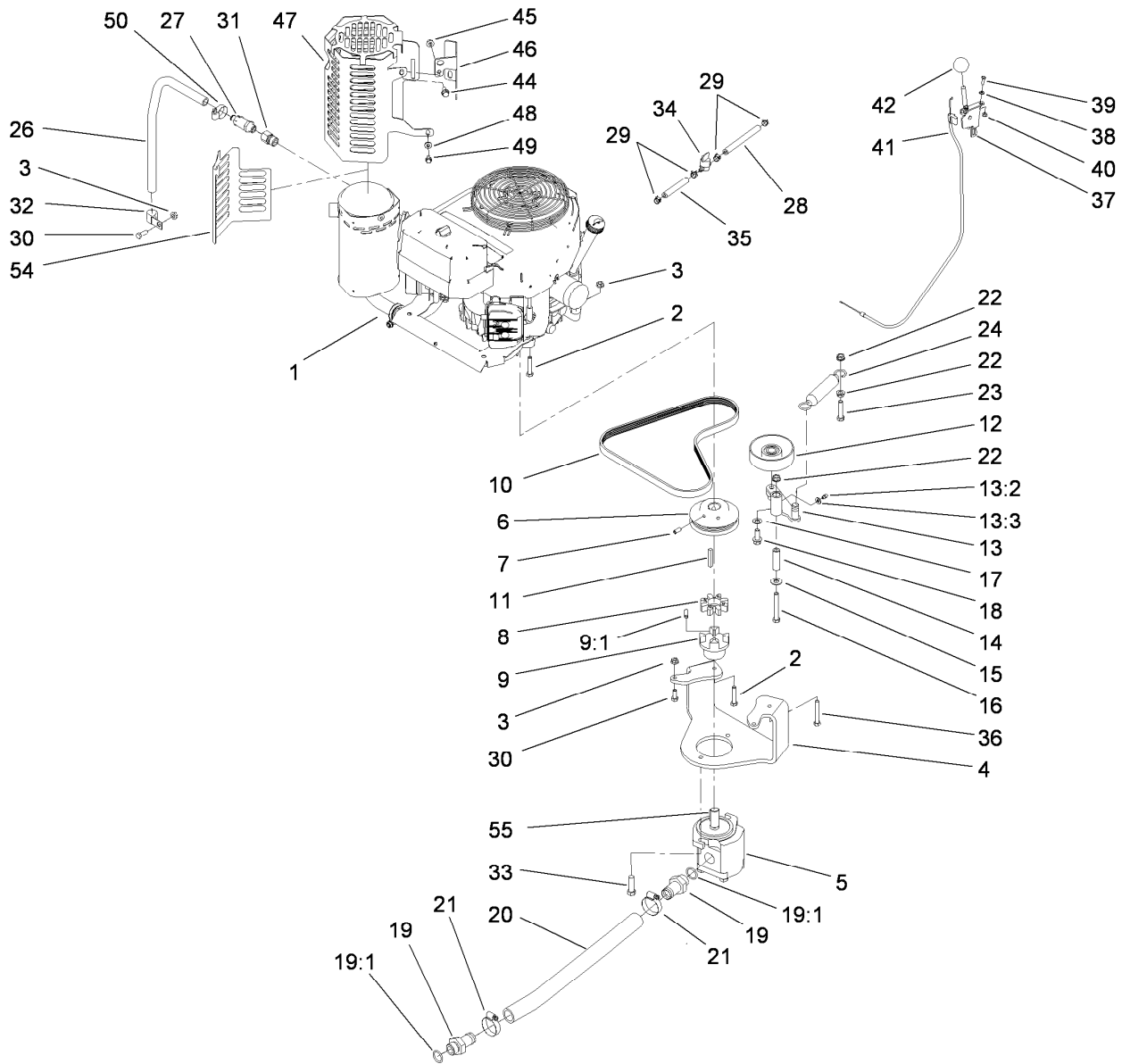
## Parking Brake Assembly

Ref.	Part Number	Qty.	Description
1	114-2972-03	1	Brake Bar ASM
2	114-2975	1	Link-Mounting
3	114-2957-03	1	Brake Handle ASM
4	103-4335	1	Brake Rod ASM
4:1	1-633131	2	Yoke-Linkage, Brake
4:2	103-3907	1	Linkage-Handle, Brake
4:3	3219-3	2	Nut-Hex
5	103-2399	1	Pin-Spring, Clevis
6	114-8629	1	Bolt-Shoulder
7	27-7211	1	Screw-Shoulder
8	3296-47	2	Nut-Lock, NI
9	67-1450	1	Spring-Idler
10	62-9130	1	Grip-Handle
11	107-8495	1	Decal-Parking Brake
12	7-0030	1	Screw-Shoulder, HH
13	32128-20	1	Nut-HF



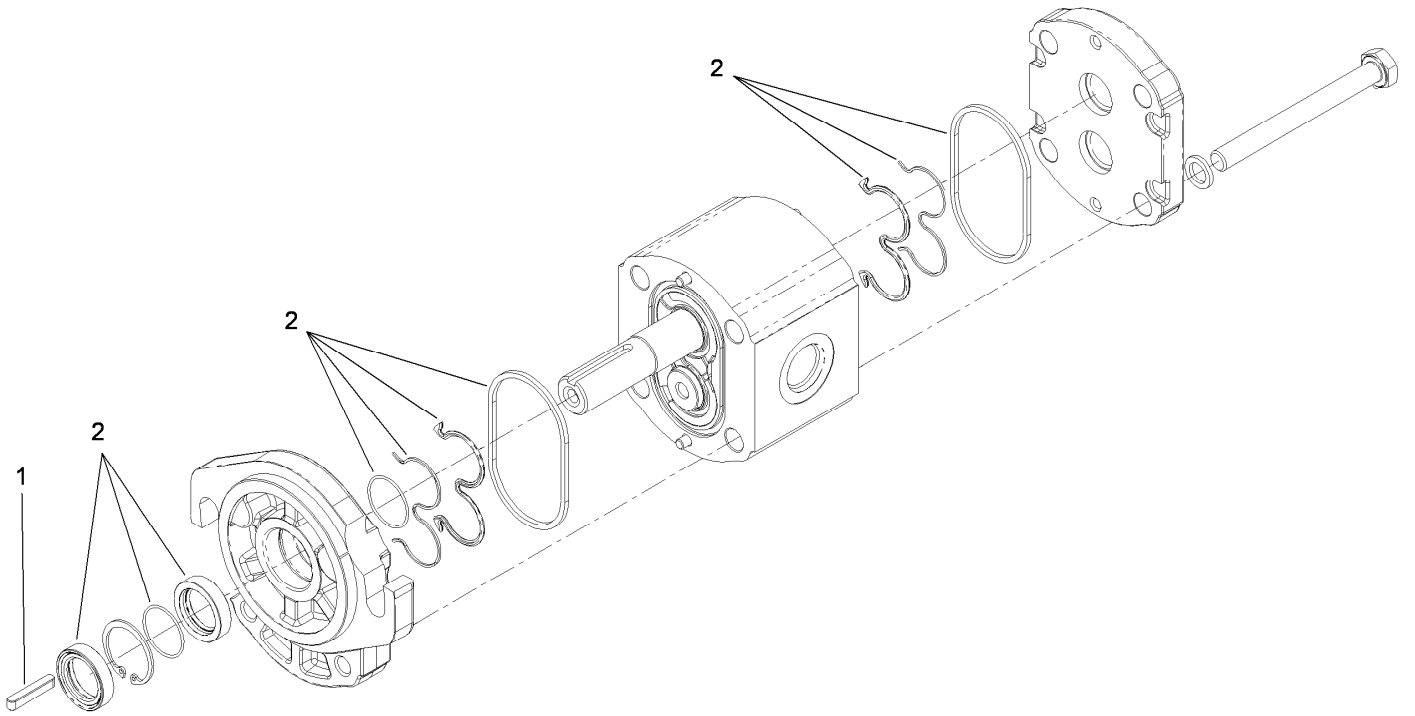
## Engine Assembly

Ref.	Part Number	Qty.	Description	Ref.	Part Number	Qty.	Description
1	119-5994	1	Engine ASM	19	99-3017	2	Fitting
2	322-9	3	Screw-HH	19:1	237-81	1	O-Ring
3	32128-20	7	Nut-HF	20	114-2917	1	Hose-Suction
4	114-2912-01	1	Mount-Pump	21	2412-111	2	Clamp
5	114-3072	1	Gear Pump ASM	22	3290-357	3	Nut-HHF, Whiz
6	114-8559-03	1	Pulley-Engine	23	323-9	1	Screw-HH
7	3246-6	2	Screw-Set, HSH	24	66-4270	1	Spring-Extension
8	93-8827	1	Spider-Coupler	26	106-5709	1	Hose-Vent
9	114-2933	1	Coupler-Flex	27	92-6877	1	Valve-Drain, Oil
9:1	100-7594	1	Screw-Set	28	109-0306	1	Hose-Fuel
10	114-2991	1	Belt-V	29	2412-98	4	Clamp
11	608006	1	Key-Square	30	322-4	3	Screw-HH
12	95-8802	1	Pulley-Idler	31	103-1966	1	Adapter
13	114-2915	1	Idler Arm ASM	32	2412-81	1	Clamp-R
13:2	302-5	1	Fitting-Grease	33	324-6	2	Screw-HH
13:3	3256-22	1	Washer-Flat	34	1-603770	1	Valve-Fuel
14	114-2916	1	Bushing-Idler	35	109-0295	1	Hose-Fuel
15	3256-4	1	Washer-Flat	36	322-11	1	Screw-HH
16	323-13	1	Screw-HH	37	108-9730	2	Control Lever ASM
17	3256-24	1	Washer-Flat	38	3256-21	4	Washer-Flat
18	3234-11	1	Screw-HHF	39	3290-134	4	Screw



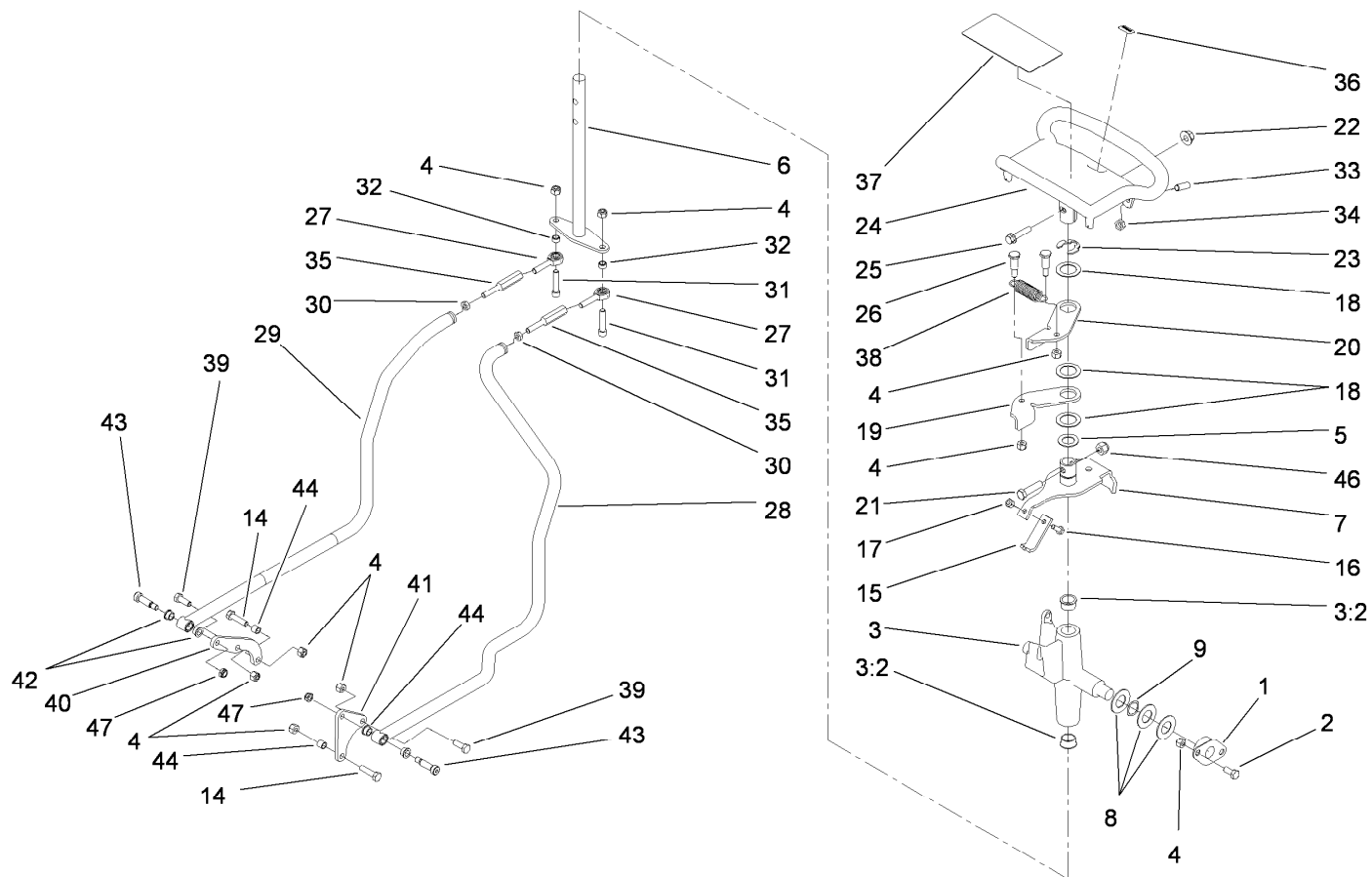
## Engine Assembly (continued)

<i>Ref.</i>	<i>Part Number</i>	<i>Qty.</i>	<i>Description</i>	<i>Ref.</i>	<i>Part Number</i>	<i>Qty.</i>	<i>Description</i>
40	3296-2	4	Nut-Lock, NI	47	114-8748-03	1	Muffler Shield ASM
41	115-1211	2	Cable-Control	48	3256-22	1	Washer-Flat
42	233-42	2	Knob	49	33103-016	1	Screw-HHF
44	3234-14	3	Screw-HHF	50	2412-36	1	Clamp-Hose
45	32128-20	3	Nut-HF	54	114-8746	1	Guard-Foil
46	115-6633-03	1	Bracket-Guard, Muffler	55	27-8590	1	Key-Square



## **Gear Pump Assembly No. 114-3072**

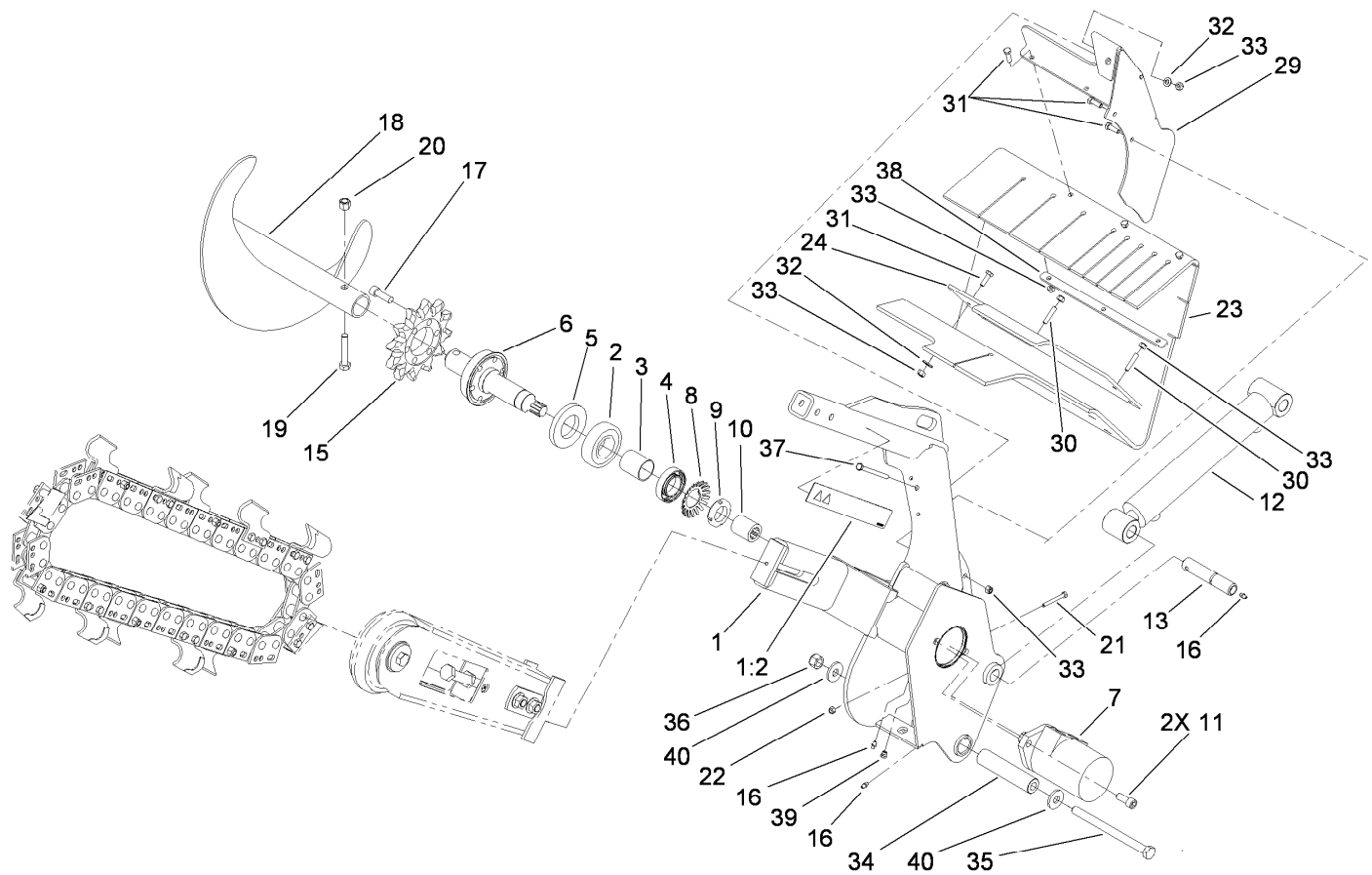
<i>Ref.</i>	<i>Part Number</i>	<i>Qty.</i>	<i>Description</i>
1	104-5839	1	Key-Square
2	115-1265	1	Seal Kit



## Control Assembly

Ref.	Part Number	Qty.	Description
1	68-2970	2	Bushing
2	322-3	4	Screw-HH
3	106-5737	1	Control Support ASM
3:2	256-252	2	Bearing-Flange
4	3296-29	12	Nut-Lock, NI
5	257-8	1	Washer-Thrust
6	106-5745	1	Drive Rod ASM
7	112-2783	1	Pivot Lever ASM
8	3256-39	6	Washer-Flat
9	95-3703	2	Washer-Spring, Wave
14	322-6	2	Screw-HH
15	115-1204	1	Plate-Neutral
16	321-4	1	Screw-HH
17	3296-42	1	Nut-Lock, NI
18	108-9743	3	Washer-Plain
19	98-8407	1	Lever-Return, RH
20	98-8408	1	Lever-Return, LH
21	323-8	1	Screw-HH
22	32128-43	1	Nut-Flange
23	32151-91	1	Ring-Retaining
24	106-7614-03	1	Handle-Control
25	3234-18	1	Screw-HHF

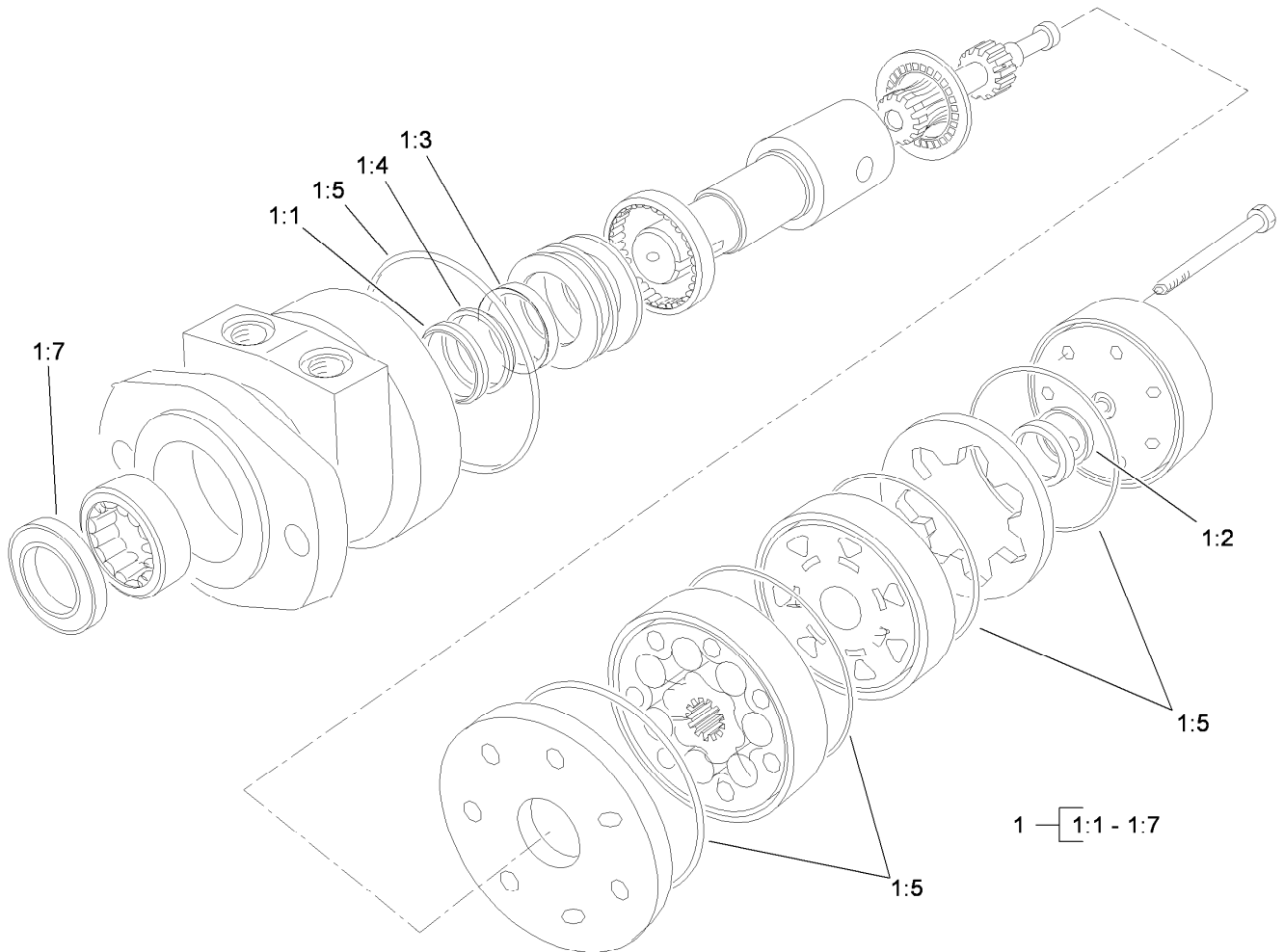
Ref.	Part Number	Qty.	Description
26	63-2650	2	Screw-Shoulder
27	2411-53	2	Bearing-Rod End, LH
28	114-2901	1	LH Control Rod ASM
29	114-2902	1	RH Control Rod ASM
30	3220-2	2	Nut-Jam
31	3274-83	2	Screw-HSH
32	92-3133	2	Spacer-Lever, Traction
33	3247-6	2	Screw-Set
34	3218-3	2	Nut-Jam
35	114-3095	2	Link-Control
36	98-1459	1	Decal
37	115-4020	1	Decal-Traction
38	108-4724	1	Spring-Extension
39	322-4	2	Screw-HH
40	115-1290	1	Plate-Adapter, Control, RH
41	115-1291	1	Plate-Adapter, Control, LH
42	1-603735	4	Bushing-Flanged
43	114-8629	2	Bolt-Shoulder
44	1-633545	2	Spacer
46	3296-39	1	Nut-Lock, NI
47	3296-47	2	Nut-Lock, NI



## Trencher Assembly

Ref.	Part Number	Qty.	Description
1	114-8631	1	Trencher Head ASM
1:2	99-9952	2	Decal-Danger
2	106-8871	1	Bearing-Ball
3	112-4979	1	Spacer
4	111199	1	Bearing-Ball
5	114-2955	1	Seal-Grease
6	112-4993	1	Trencher Shaft ASM
7	114-3053	1	Motor-HYD
8	114-2956	1	Lockwasher-Bearing
9	88-1450	1	Locknut-Bearing
10	114-2954	1	Spline-Collar
11	3274-89	2	Screw-HSH
12	112-2602	1	HYD Cylinder ASM
13	114-2937	1	Pin-Pivot
15	104-1964	1	Sprocket-Trencher
16	302-5	3	Fitting-Grease
17	3274-4	6	Screw-HSH
18	112-4996-03	1	Trencher Auger ASM

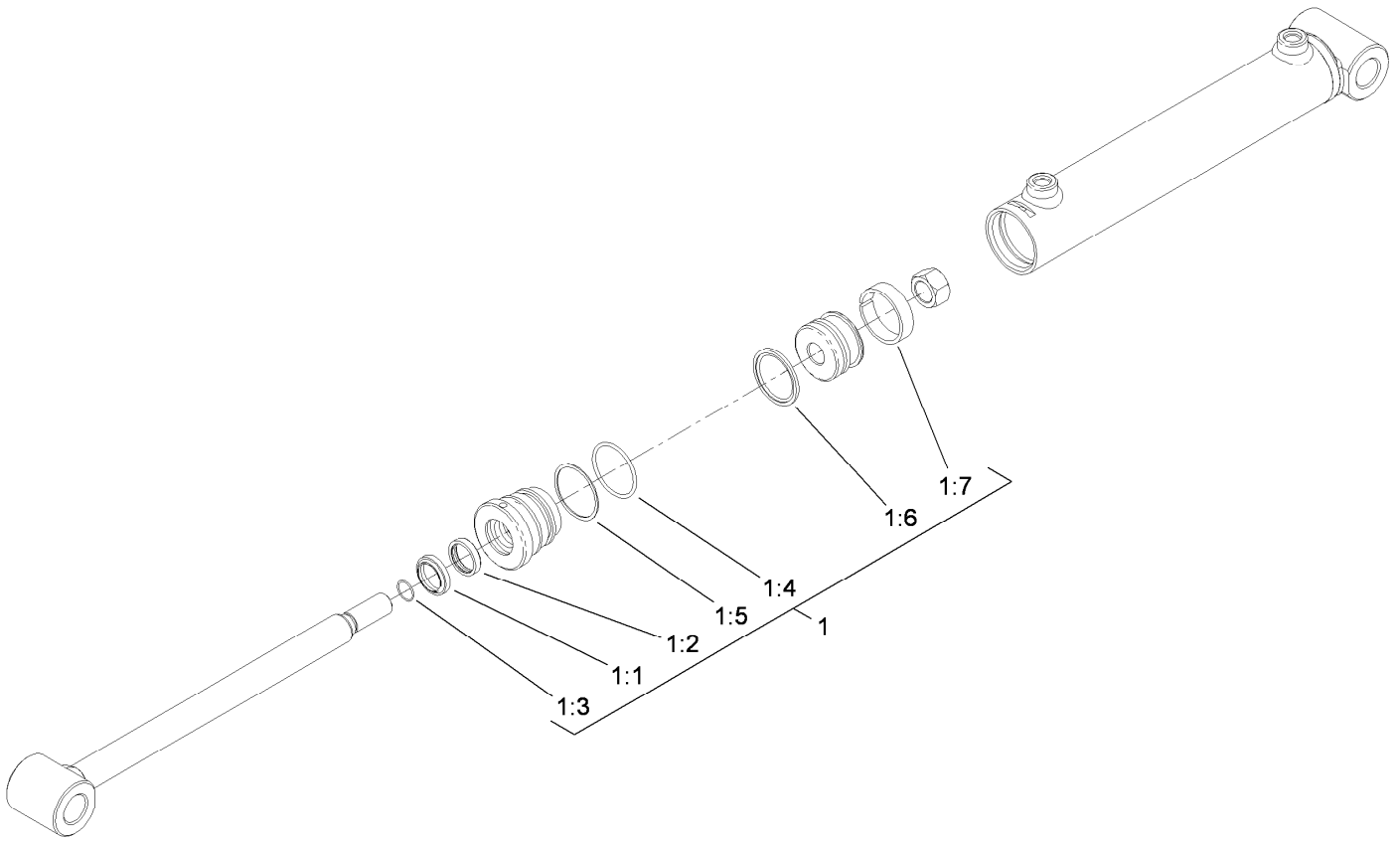
Ref.	Part Number	Qty.	Description
19	325-11	1	Screw-HH
20	3296-23	1	Nut-Lock, NI
21	321-18	1	Screw-HH
22	3296-42	1	Nut-Lock, NI
23	114-8569	1	Shield-Dirt
24	115-1220-03	1	Bar-Clamp
29	115-1279-03	1	Bracket-Shield
30	115-4049	2	Screw-HSH
31	322-5	8	Screw-HH
32	3256-3	4	Washer-Flat
33	3296-29	11	Nut-Lock, NI
34	114-8573	1	Spacer-Pivot
35	117-6327	1	Bolt-HH,
36	3296-53	1	Nut-Lock, NI
37	322-23	1	Screw-HH
38	115-4001-03	1	Plate-Strap, Shield
39	302-34	1	Fitting-Lube
40	104-9216	2	Washer-Hardened



## Hydraulic Motor Assembly No. 114-3053

<i>Ref.</i>	<i>Part Number</i>	<i>Qty.</i>	<i>Description</i>
1	1-000119	1	Seal Kit
1:1		1	Ring-Back Up ●
1:2		1	Seal-Commutator ●
1:3		1	Seal-Shaft (Viton) ●
1:4		1	Washer-Back Up, Steel ●
1:5		5	Ring-Seal (Viton) ●
1:7		1	Seal-Dirt And Water ●

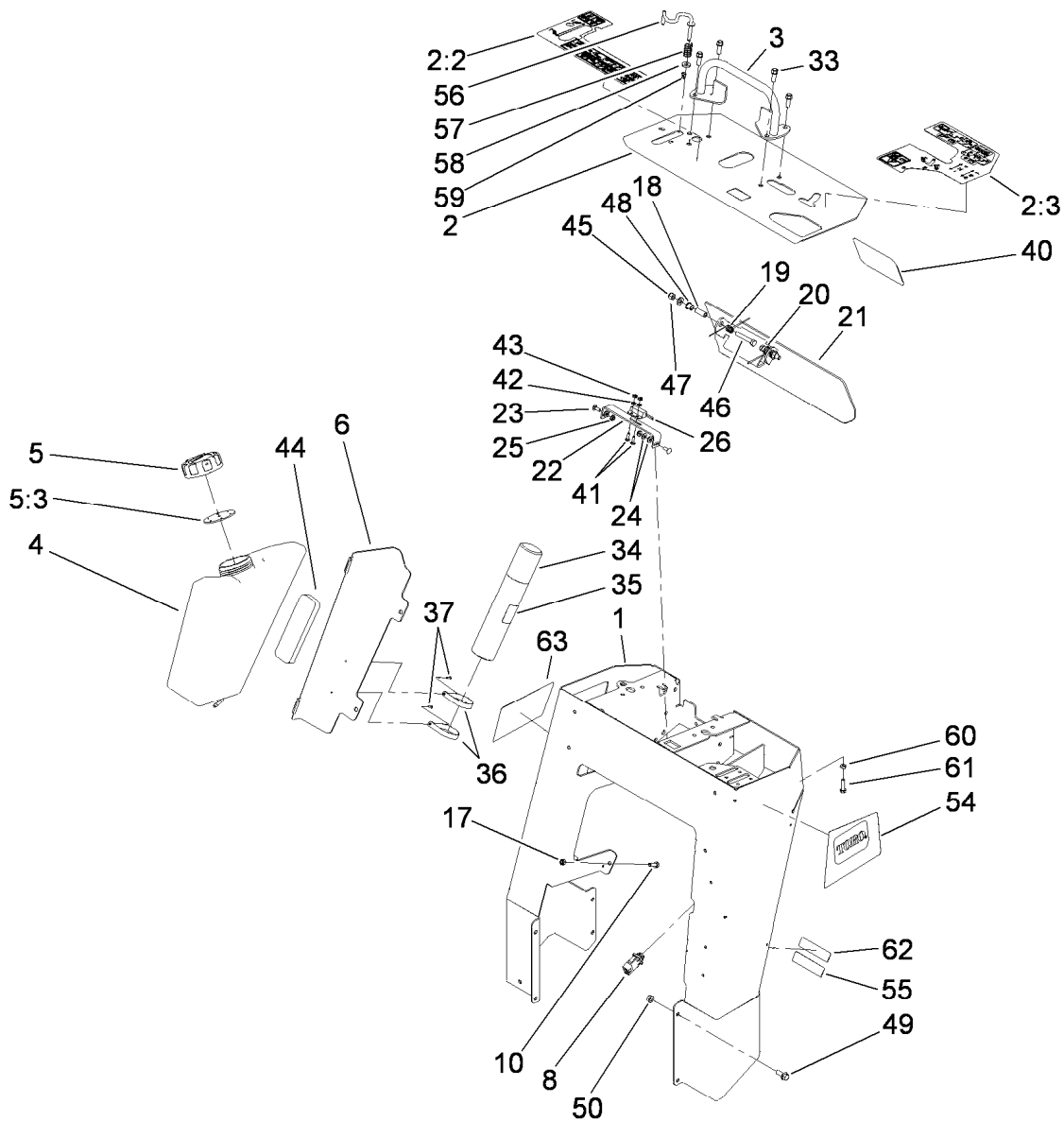
● Not serviced separately



## Hydraulic Cylinder Assembly No. 112-2602

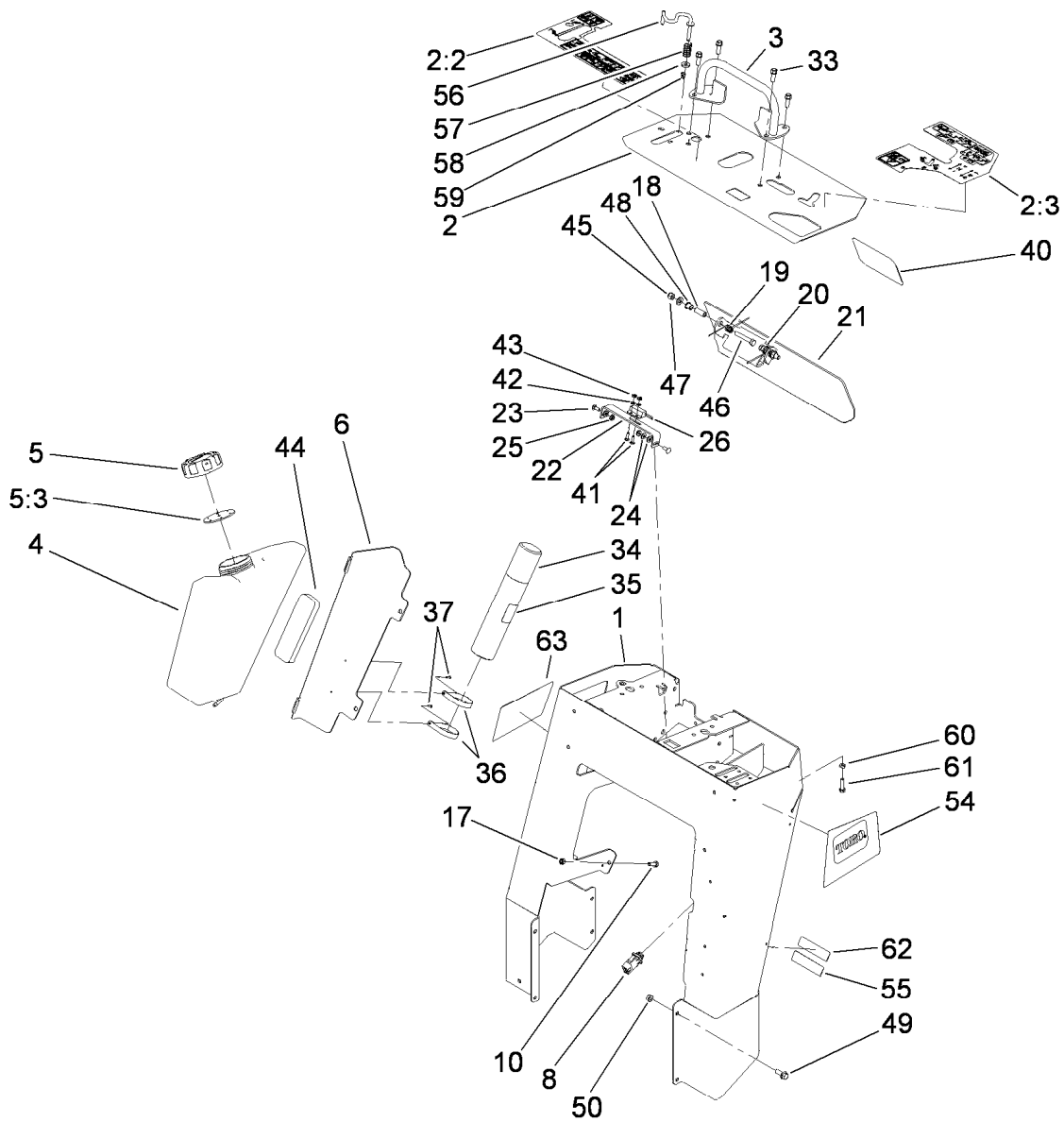
<i>Ref.</i>	<i>Part Number</i>	<i>Qty.</i>	<i>Description</i>
1	107-1183	1	Seal Kit
1:1		1	Wiper ●
1:2		1	U-Cup ●
1:3		1	O-Ring ●
1:4		1	O-Ring ●
1:5		1	Back-Up Ring ●
1:6		1	Capseal ●
1:7		1	Wear Ring ●

● Not serviced separately



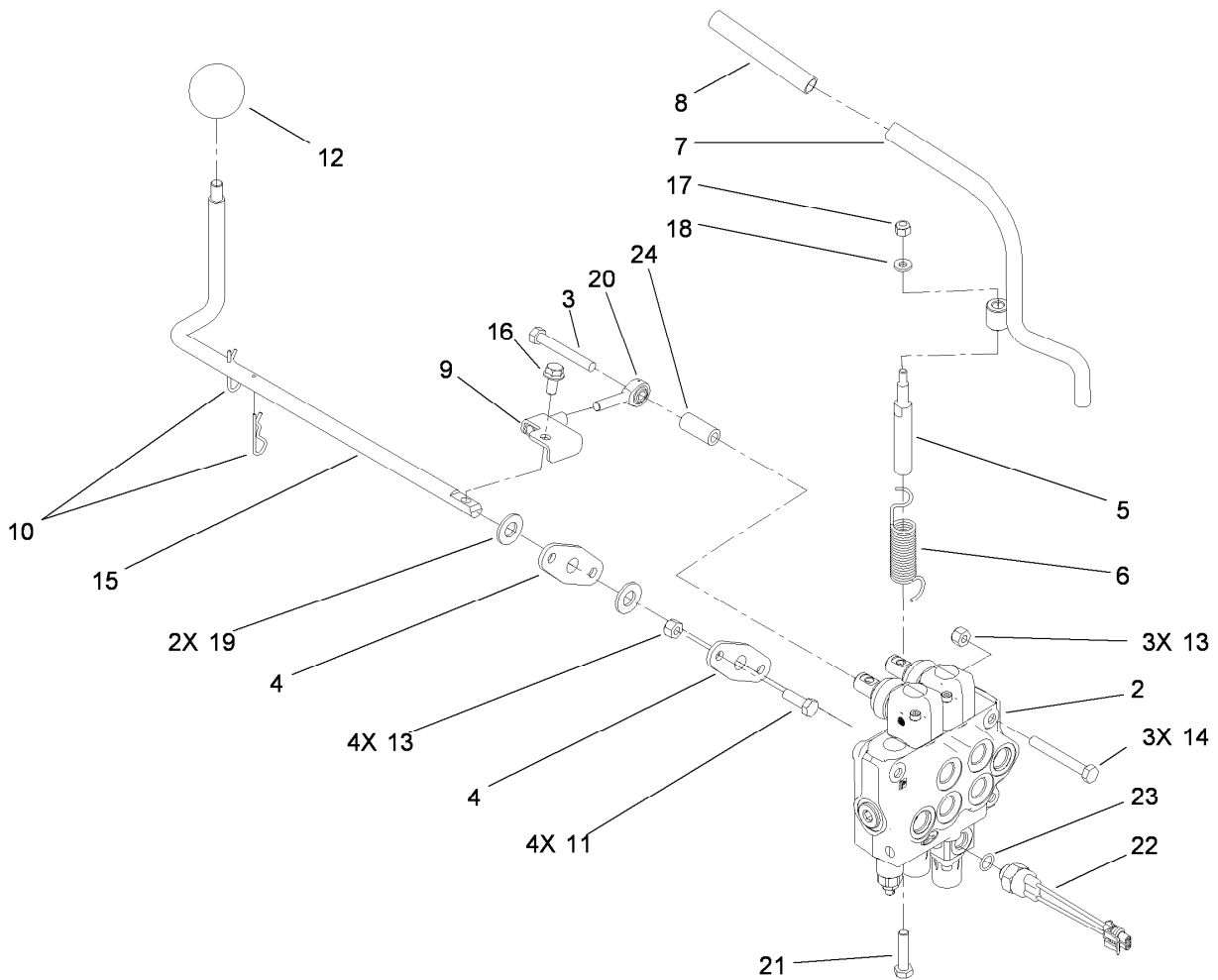
## Control Tower Assembly

Ref.	Part Number	Qty.	Description	Ref.	Part Number	Qty.	Description
1	115-4000-01	1	Tower ASM	33	95-1726	4	Screw-Taptite
2	114-8633	1	Panel-Control	34	104-7048	1	Cap-Housing
2:2	115-1231	1	Decal-Console, RH	35	104-7050	1	Tube-Manual
2:3	115-1230	1	Decal-Console, LH	36	2412-120	2	R-Clamp
3	106-7715	1	Reference Bar ASM	37	3269-17	2	Rivet-Pop
4	112-4972	1	Tank-Fuel	40	105-1217	1	Decal
5	104-7418	1	Cap-Fuel, Gas	41	3229-20	2	Screw-CARR
5:3	104-7420	1	Gasket-Vented	42	3256-51	2	Washer-Flat
6	114-3065-01	1	Bracket-Cover, Tank	43	32149-7	2	Nut-Keps
8	100-1268	1	Switch-Plunger	44	107-7507	1	Pad-Foam
10	322-5	2	Screw-HH	45	3296-39	2	Nut-Lock, NI
17	3296-29	2	Nut-Lock, NI	46	323-11	2	Screw-HH
18	114-1337	2	Spacer-Spring	47	3256-24	2	Washer-Flat
19	98-8425	1	Spring-Torsion, LH	48	256-257	2	Bushing-Nyliner
20	98-8424	1	Spring-Torsion, RH	49	3234-11	8	Screw-HHF
21	114-3012-03	1	Reverse Plate ASM	50	32128-40	8	Nut-Flange
22	100-1263	1	Plate-Switch	54	115-4006	1	Decal
23	3229-1	2	Screw-CARR	55	115-4009	1	Decal-Information
24	3256-22	4	Washer-Flat	56	114-8727	1	Rod-Interlock
25	32149-2	2	Nut-Keps	57	85-6750	1	Spring-Control
26	100-1270	1	Switch-Proximity	58	88-7200	1	Washer-Flat



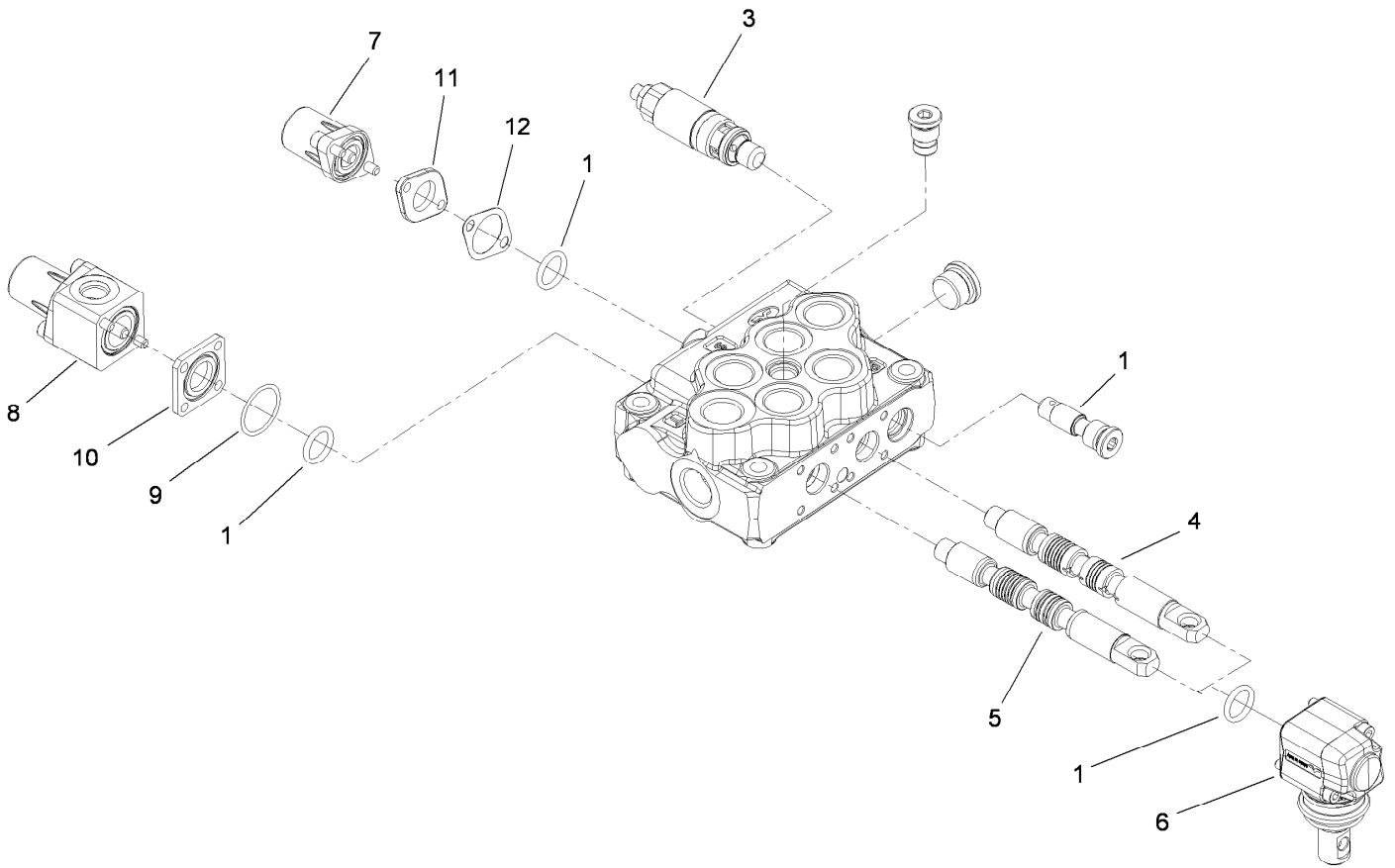
## Control Tower Assembly (continued)

<i>Ref.</i>	<i>Part Number</i>	<i>Qty.</i>	<i>Description</i>	<i>Ref.</i>	<i>Part Number</i>	<i>Qty.</i>	<i>Description</i>
59	3290-307	1	Pin-Hair	62	117-2718	1	Decal-Arrester, Spark
60	3210-7	1	Screw-HH	63	117-6447	1	Decal-Side, RH
61	3220-2	1	Nut-Jam				



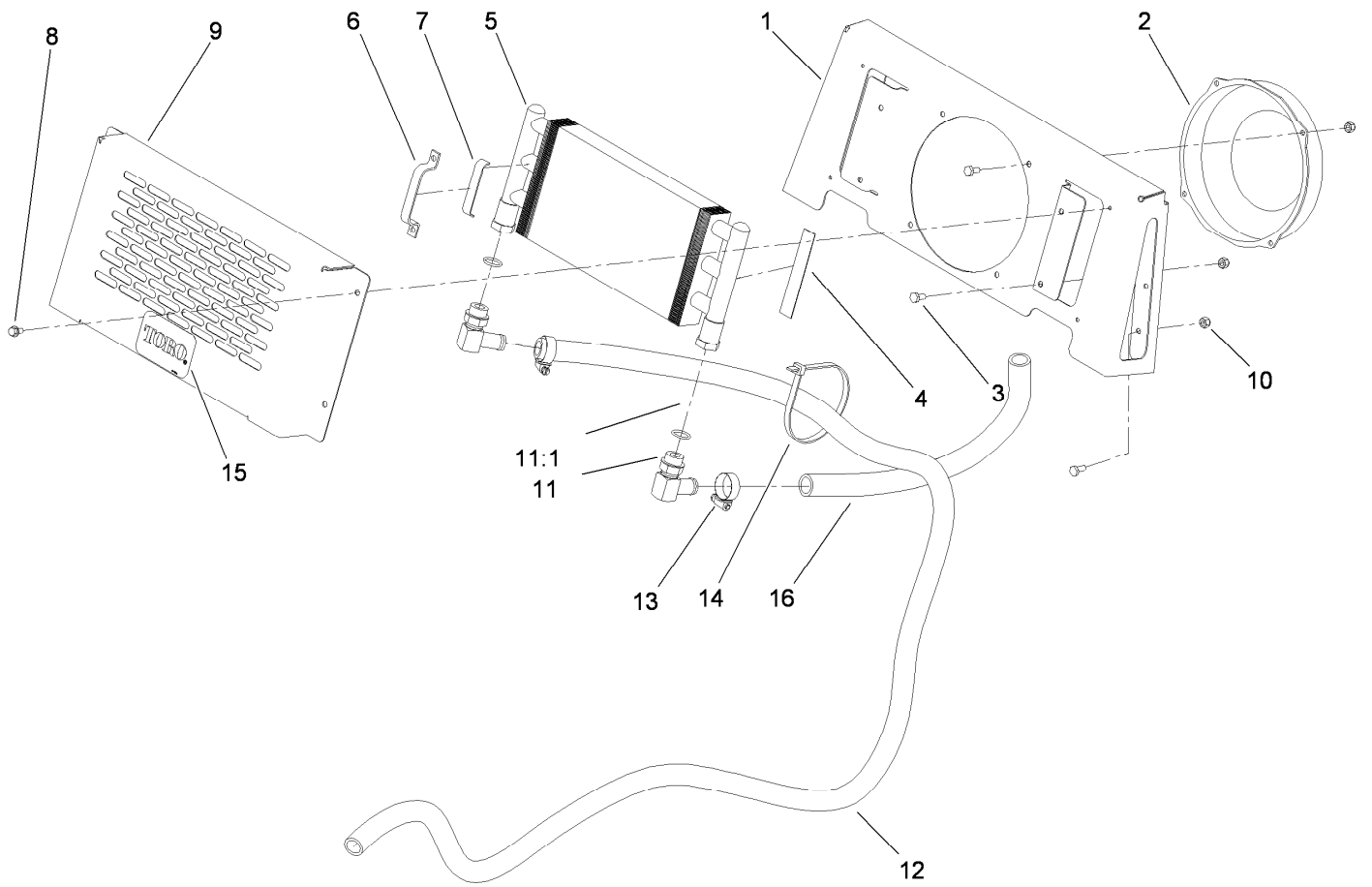
## Hydraulic Control Assembly

Ref.	Part Number	Qty.	Description
2	115-4062	1	Hydraulic Valve ASM
3	33114-060	1	Screw-HH
4	20-1620	2	Bearing-Wheel, Friction
5	104-2827	1	Spacer-Hiflo
6	112-2738	1	Spring-Torsion
7	112-2739	1	Auxiliary Lever ASM
8	112-2605	1	Grip-Rubber
9	115-6530	1	Control ASM
10	3290-467	2	Pin-Hair
11	322-3	4	Screw-HH
12	233-21	1	Knob
13	3296-29	7	Nut-Lock, NI
14	322-12	3	Screw-HH
15	114-8598	1	Rod-Lever, Cylinder
16	3234-14	1	Screw-HHF
17	3296-42	1	Nut-Lock, NI
18	3256-16	1	Washer-Flat
19	3256-26	2	Washer-Flat
20	115-1273	1	Bearing-Rod End
21	48-7740	1	Screw
22	72-4310	1	Switch-Ball
23	237-42	1	O-Ring
24	103-0384	1	Spacer



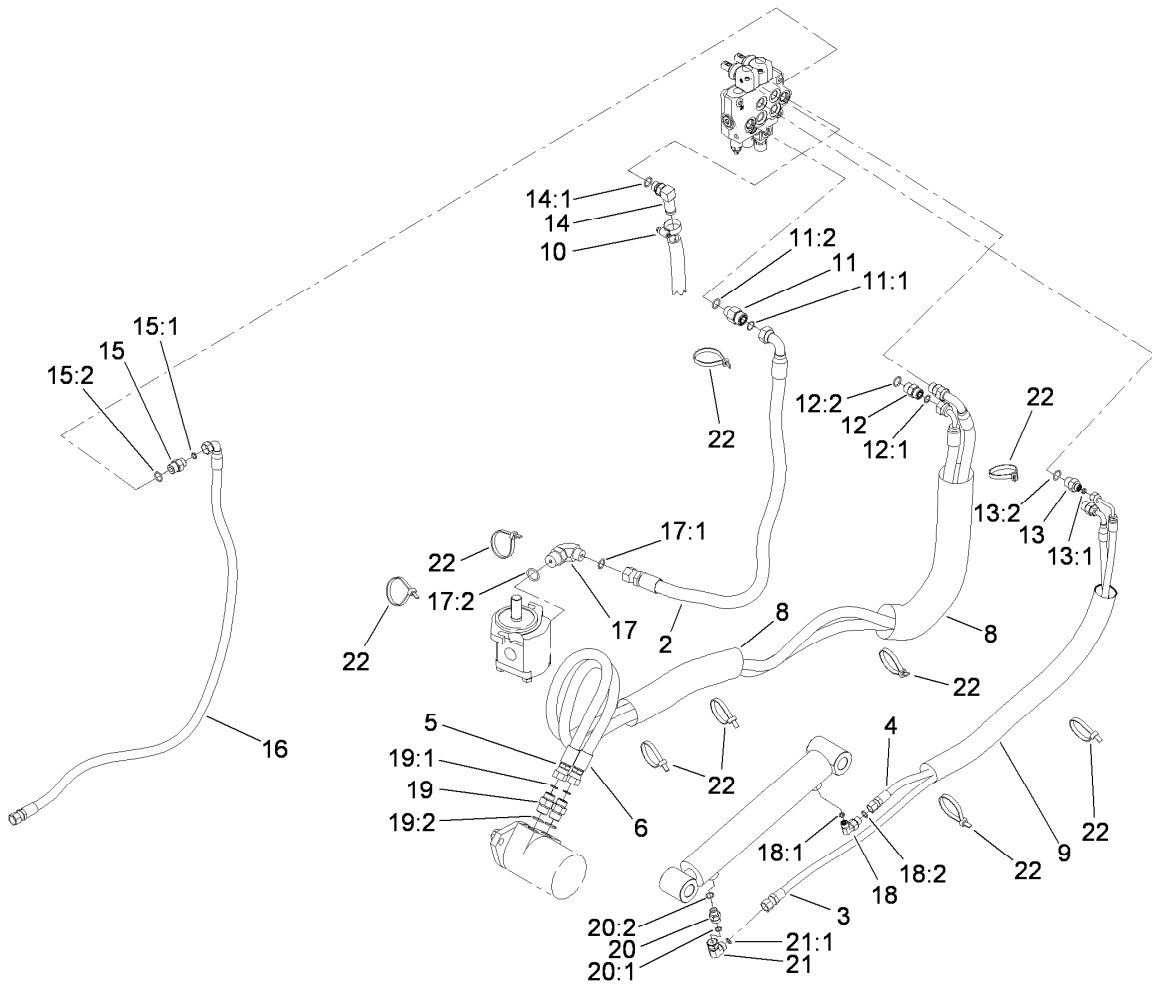
## 2-Spool Valve Assembly No. 115-4062

<i>Ref.</i>	<i>Part Number</i>	<i>Qty.</i>	<i>Description</i>
1	106-7719	4	Seal-Valve
3	100-8805	1	Valve-Relief
4	115-4084	1	Spool-Valve
5	106-7572	1	Spool
6	100-7229	2	Lever Kit
7	115-4092	1	Spring Return Kit
8	115-4093	1	Switch Spring Return Kit
9	115-4097	1	Seal-Return
10	115-4094	1	Spacer-Square
11	115-4089	1	Spacer-Spring Return
12	115-4088	1	Gasket-Return



## Oil Cooler Assembly

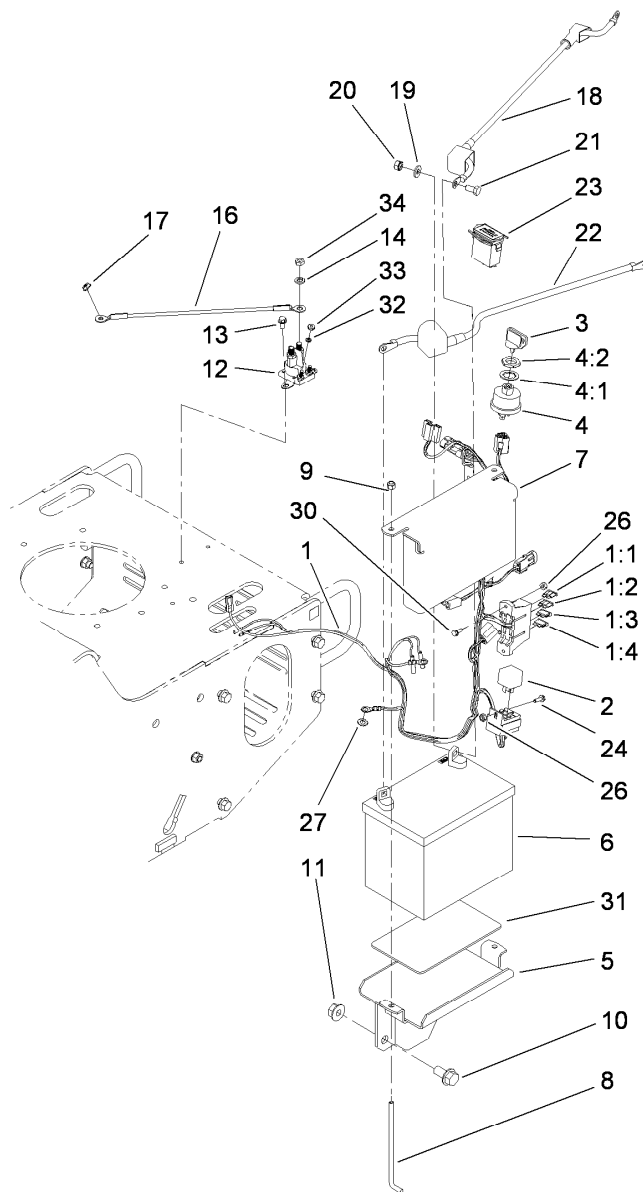
<i>Ref.</i>	<i>Part Number</i>	<i>Qty.</i>	<i>Description</i>
1	114-8588-03	1	Bracket-Fan
2	104-2809	1	Fan
3	321-3	12	Screw-HH
4	94-9566	2	Pad-Footrest
5	105-0352	1	Exchanger-Heat
6	104-2803	2	Support-Cooler
7	104-2816	2	Pad-Support
8	32104-116	4	Screw
9	114-8591-03	1	Bracket-Cover, Cooler
10	3296-42	12	Nut-Lock, NI
11	87-8170	2	Fitting
11:1	237-80	1	O-Ring
12	115-1207	1	Hose-Return
13	2412-129	2	Clamp-Hose
14	3334-945	1	Tie-Cable
15	99-2385	1	Decal-Toro
16	117-3966	1	Hose-Cooler



## Hydraulic Routing Assembly

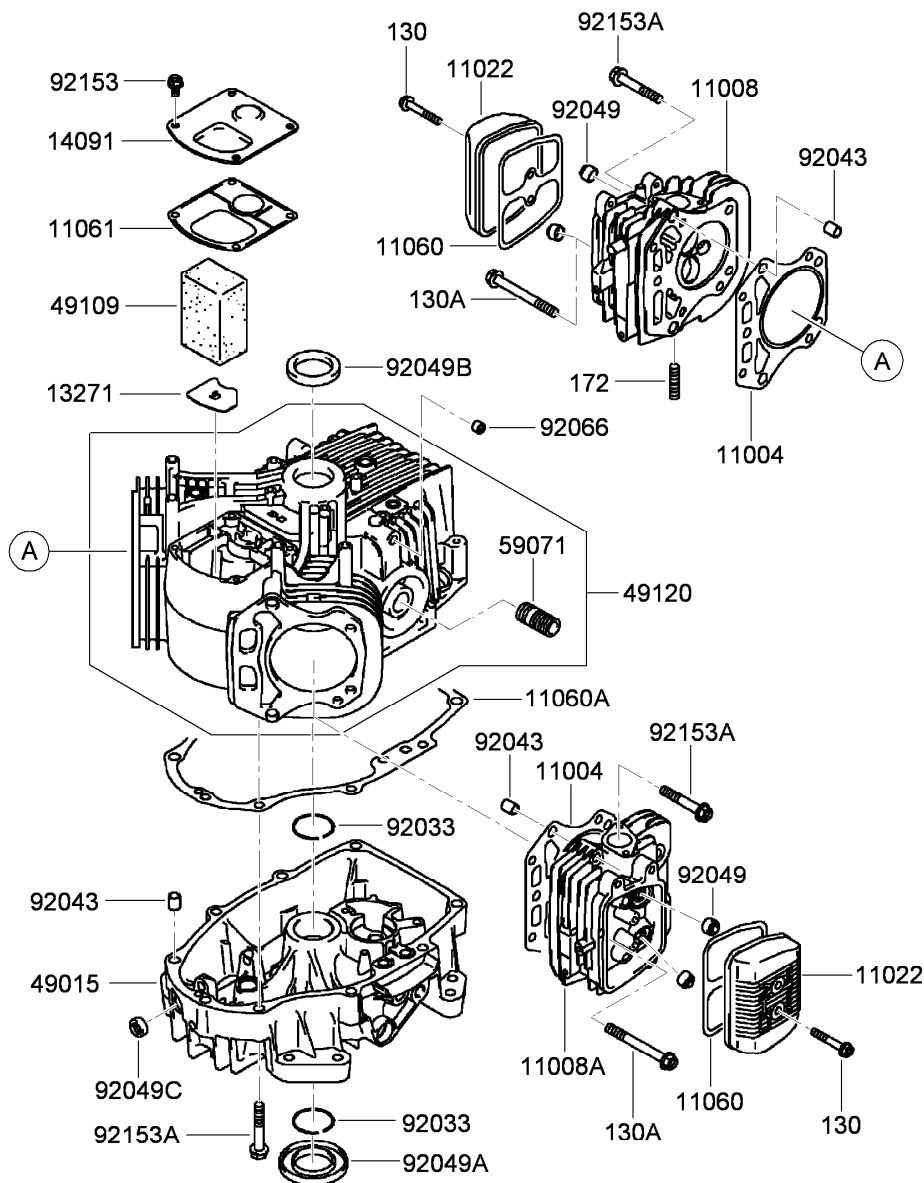
Ref.	Part Number	Qty.	Description
2	114-3043	1	Hose ASM
3	114-3044	1	Hose ASM
4	114-3045	1	Hose ASM
5	114-3046	1	Hose ASM
6	114-3085	1	HYD Hose ASM
8	99-5648	2	Sleeve-Protective
9	115-4064	1	Sleeve-Protective
10	2412-129	2	Clamp-Hose
11	340-155	1	Fitting-HYD, Straight
11:1	237-79	1	O-Ring
11:2	237-151	1	O-Ring
12	340-4	2	Fitting-HYD, Straight
12:1	237-30	1	O-Ring
12:2	237-79	1	O-Ring
13	340-133	2	Adapter
13:1	237-79	1	O-Ring
13:2	237-21	1	O-Ring
14	353-954	1	Adapter
14:1	237-79	1	O-Ring

Ref.	Part Number	Qty.	Description
15	340-3	1	Adapter
15:1	237-22	1	O-Ring
15:2	237-79	1	O-Ring
16	117-4038	1	Hose ASM
17	340-139	1	Fitting-HYD, 90 DEG
17:1	237-81	1	O-Ring
17:2	237-65	1	O-Ring
18	340-82	1	Adapter
18:1	237-42	1	O-Ring
18:2	237-21	1	O-Ring
19	340-6	2	Fitting-HYD, Straight
19:1	237-30	1	O-Ring
19:2	237-80	1	O-Ring
20	115-4081	1	Valve-Check
20:1	237-42	1	O-Ring
20:2	237-22	1	O-Ring
21	340-159	1	Fitting-HYD, 90 DEG
21:1	237-22	2	O-Ring
22	3334-945	9	Tie-Cable



## Electrical Assembly

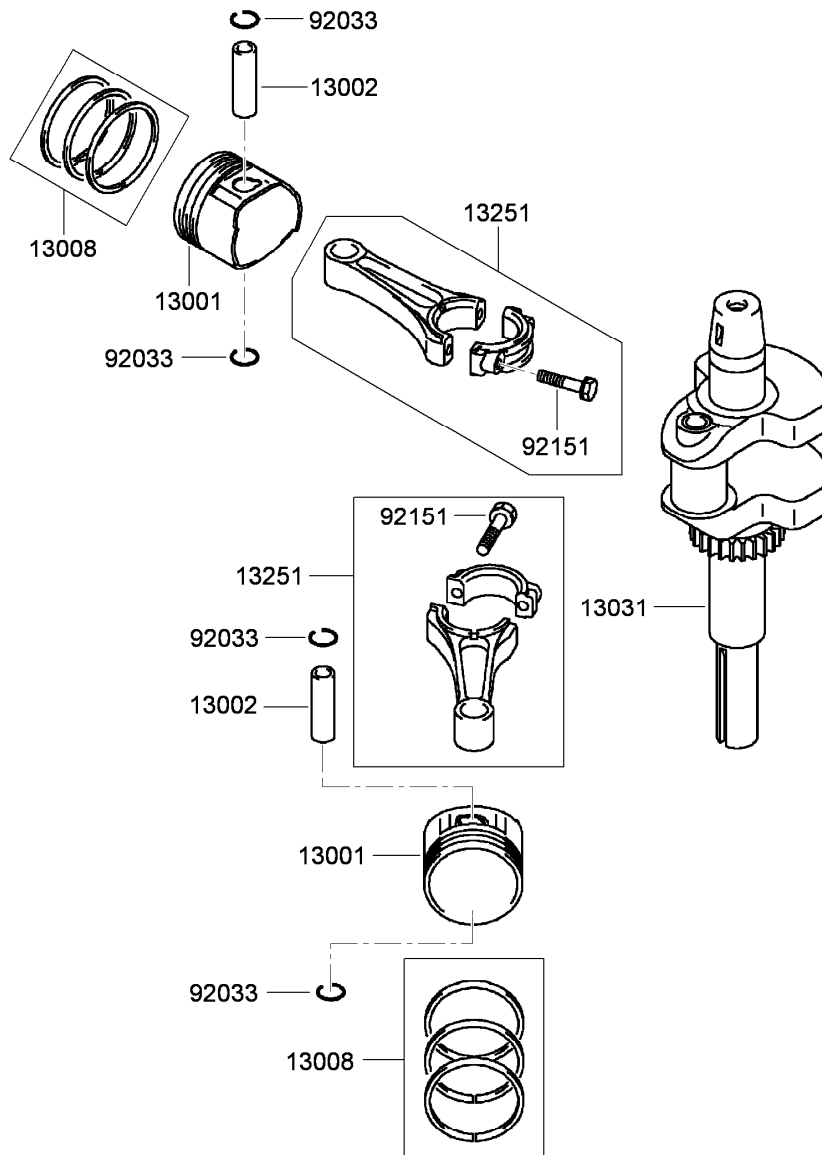
<i>Ref.</i>	<i>Part Number</i>	<i>Qty.</i>	<i>Description</i>	<i>Ref.</i>	<i>Part Number</i>	<i>Qty.</i>	<i>Description</i>
1	114-3084	1	Harness-Wire	13	32144-4	2	Screw-HWH
1:1	109103	1	Fuse-30 Amp	14	3253-4	2	Washer-Lock
1:2	109102	1	Fuse-25 Amp	16	28-3891	1	Wire-Solenoid/Starter
1:3	109355	2	Fuse-15 Amp	17	32149-2	1	Nut-Keps
1:4	116-0053	1	Cap-Plug	18	112-9708	1	Cable-Battery, Red
2	98-7249	1	Relay	19	3256-2	2	Washer-Flat
3	63-8360	1	Key-Ignition	20	32149-1	2	Nut-Keps
4	88-9830	1	Key Switch ASM	21	322-3	2	Screw-HH
4:1	3254-5	1	Washer-Tooth, Internal	22	115-4024	1	Cable-Battery, Black
4:2	218-461	1	Nut-HH	23	1-513374	1	Meter-Hour
5	105-3150-01	1	Battery Tray ASM	24	32105-23	1	Screw
6	104-8162	1	Battery	26	3296-2	2	Nut-Lock, NI
7	115-6621-03	1	Plate-Hold Down, Battery	27	3255-8	1	Washer-Lock
8	104-8567	2	Holdown-Battery	30	32105-13	1	Screw-HWH
9	3296-42	2	Nut-Lock, NI	31	62-4300	1	Pad-Skid, Anti
10	3234-6	2	Screw-HHF ]	32	3253-17	2	Washer-Lock
11	32128-49	2	Nut-HHF	33	3219-14	2	Nut-Hex
12	117-1197	1	Solenoid	34	3220-2	2	Nut-Jam



## Cylinder and Crankcase Assembly

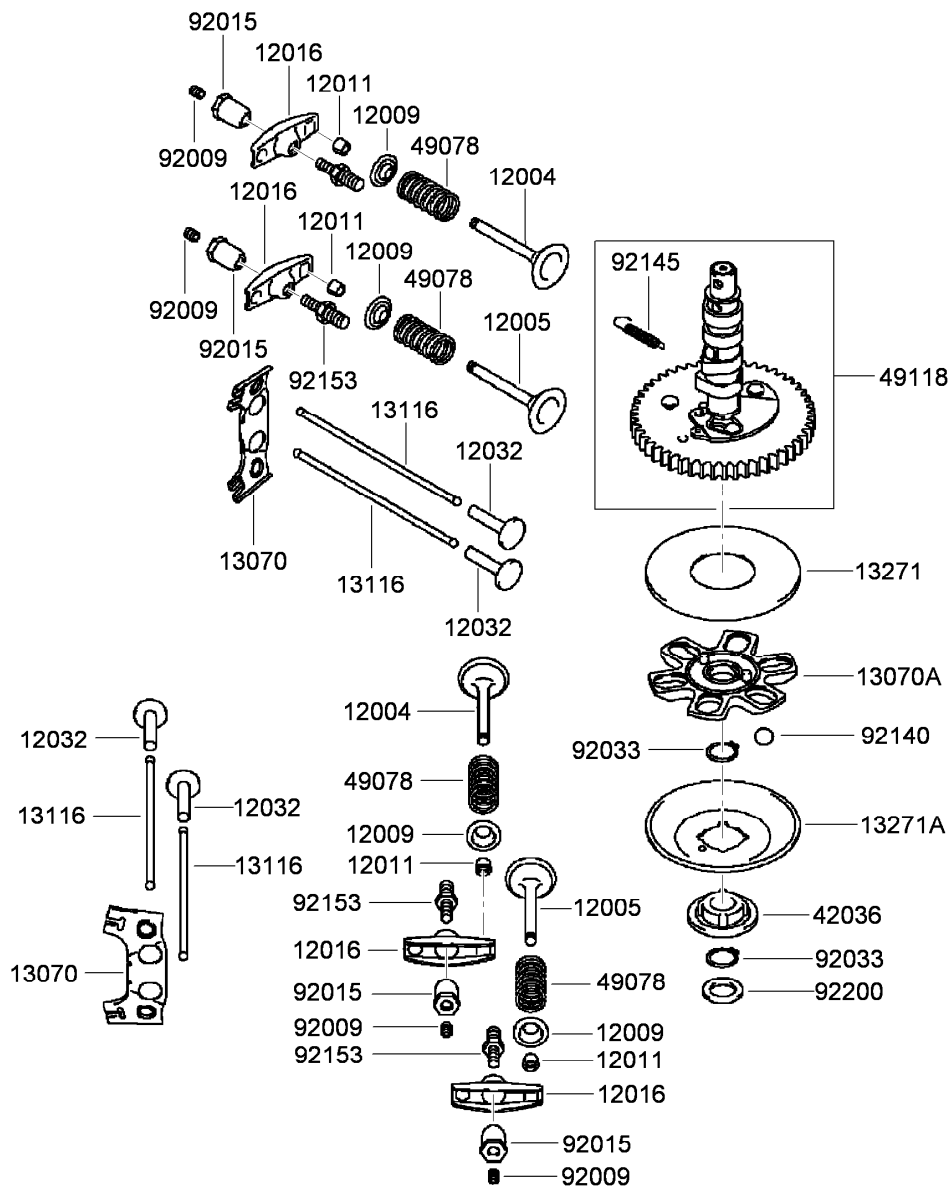
Ref.	Part Number	Qty.	Description
130	100-2805	4	Bolt-Flanged (6X40)
130A	114-8657	2	Bolt-Flanged (8X75)
172	114-8658	4	Bolt-Stud (8X18)
11004	115-6550	2	Gasket-Head
11008	115-6551	1	Head-Cylinder, No.1
11008A	115-6552	1	Head-Cylinder, No.2
11022	114-8643	2	Case-Rocker
11060	114-8644	2	Gasket-Case, Rocker
11060A	115-6553	1	Gasket-Cover, Crankcase
11061	115-6554	1	Gasket-Breather
13271	115-6555	1	Plate
14091	115-6556	1	Cover
49015	115-6557	1	Cover-Crankcase
49109	115-6558	1	Element-Breather

Ref.	Part Number	Qty.	Description
49120	115-6559	1	Crankcase
59071	95-9715	1	Joint
92033	115-6560	2	Ring-Snap
92043	108-2510	6	Pin
92049	114-8650	4	Seal-Oil, Rv C2 (6X11X10.2)
92049A	114-8651	1	Seal-Oil, Sd (35X62X8 L HSH)
92049B	114-8652	1	Seal-Oil, S D (35X48X8 R HSH)
92049C	114-8653	1	Seal-Oil, S O (8X14X5 HSH)
92066	115-6405	1	Plug
92153	114-8655	4	Bolt (6X12)
92153A	114-8656	17	Bolt (8X50)



## Piston and Crankshaft Assembly

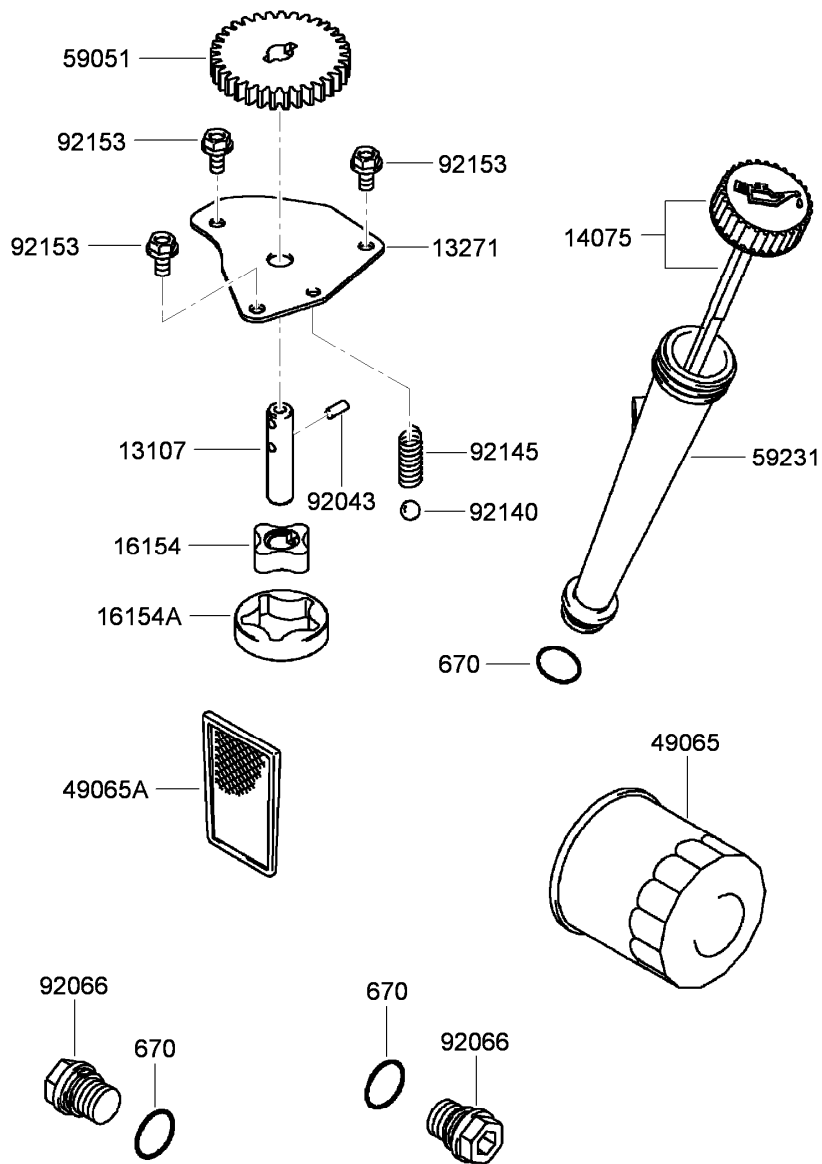
<i>Ref.</i>	<i>Part Number</i>	<i>Qty.</i>	<i>Description</i>
13001	115-6561	2	Piston-Engine
13002	108-2517	2	Pin-Piston
13008	115-6562	2	Piston Ring Set
13031	115-6563	1	Crankshaft
13251	115-6564	2	Connecting Rod ASM
92033	114-8665	4	Ring-Snap
92151	115-6565	4	Bolt (6X35)



## Valve and Camshaft Assembly

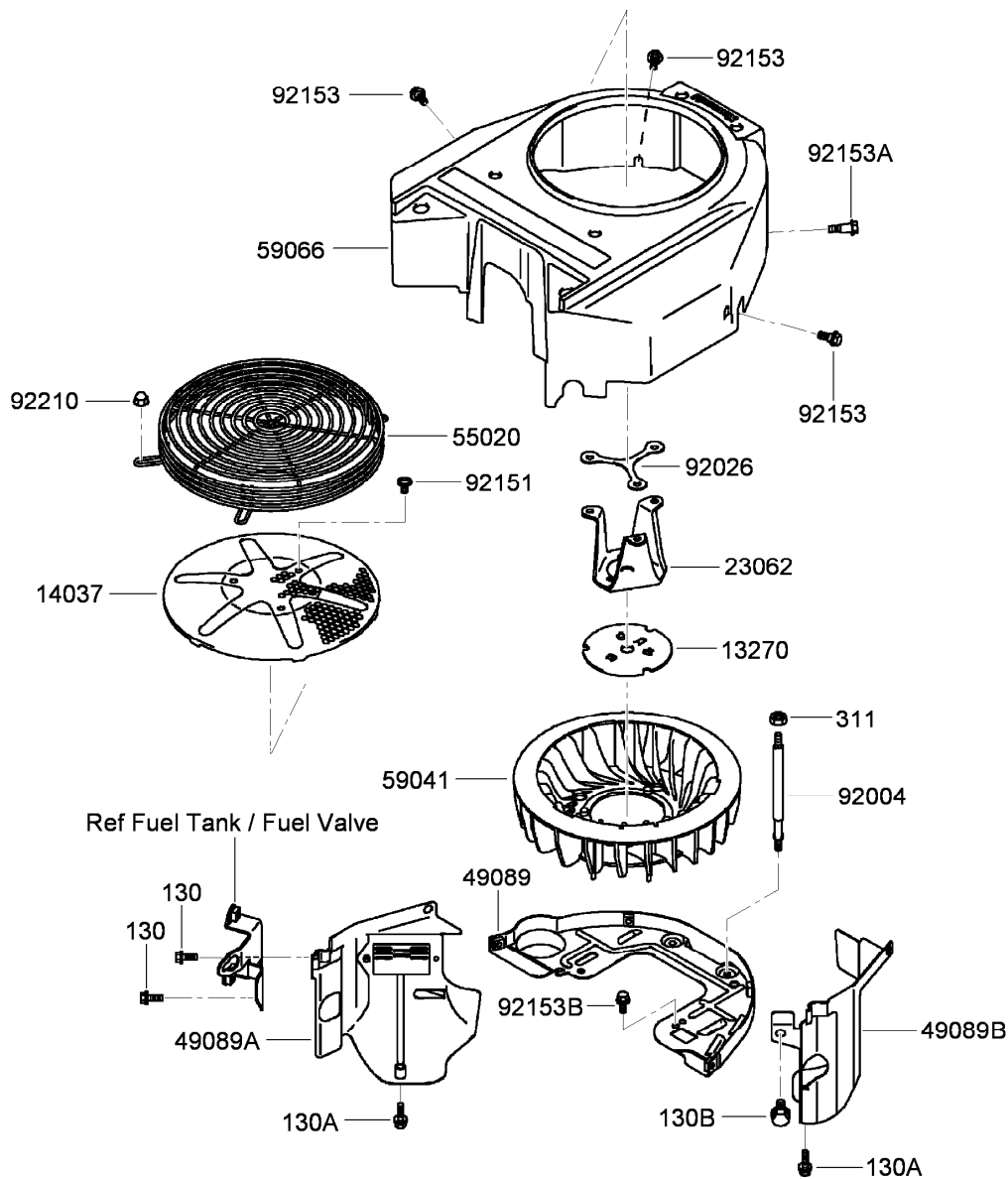
Ref.	Part Number	Qty.	Description
12004	108-2523	2	Valve-Intake
12005	108-2524	2	Valve-Exhaust
12009	108-2525	4	Retainer-Spring, Valve
12011	95-9744	8	Collet
12016	114-8668	4	Arm-Rocker
12032	108-2527	4	Tappet
13070	114-8669	2	Guide
13070A	114-8670	1	Guide
13116	95-9748	4	Rod-Push
13271	114-8671	1	Plate
13271A	114-8672	1	Plate-Governor

Ref.	Part Number	Qty.	Description
42036	114-8673	1	Sleeve
49078	108-2533	4	Spring-Valve, Engine
49118	115-6566	1	Camshaft
92009	108-2534	4	Screw
92015	93-8534	4	Nut
92033	114-8675	2	Ring-Snap
92140	114-8676	6	Ball
92145	114-8677	1	Spring
92153	108-2537	4	Bolt
92200	114-8678	1	Washer



## Lubrication Equipment Assembly

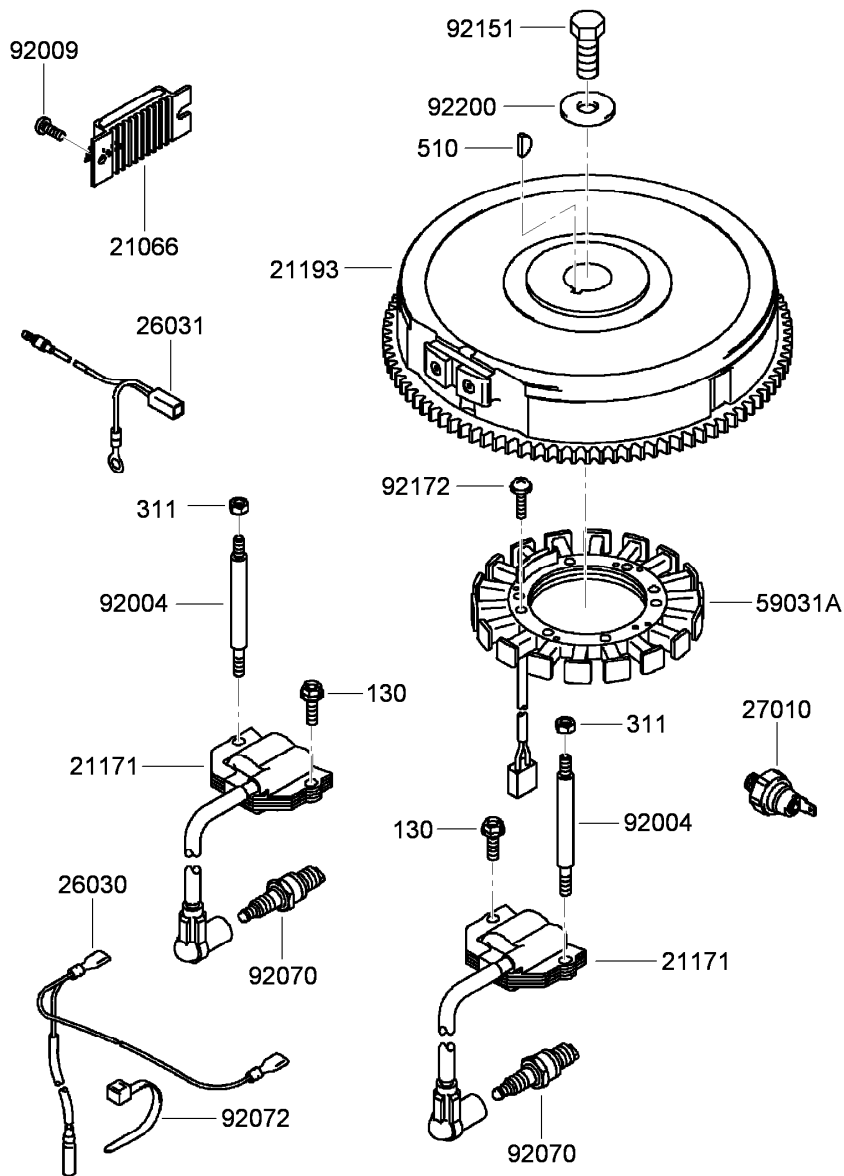
Ref.	Part Number	Qty.	Description
670	100-2690	3	O-Ring (16Mm)
13107	114-8679	1	Shaft
13271	114-8680	1	Plate
14075	114-8681	1	Cap-ASM
16154	95-9760	1	Rotor-Pump (In)
16154A	95-9761	1	Rotor Pump, Out
49065	KW10761	1	Filter-Oil
49065A	114-8683	1	Filter-Oil
59051	114-8684	1	Gear-Spur
59231	115-6567	1	Filler
92043	114-8686	2	Pin
92066	112-9991	2	Plug-Drain, Oil
92140	114-8687	1	Ball
92145	114-8688	1	Spring
92153	114-8655	3	Bolt (6X12)



## Cooling Equipment Assembly

<i>Ref.</i>	<i>Part Number</i>	<i>Qty.</i>	<i>Description</i>
130	95-9837	2	Bolt-Flanged (6X16)
130A	93-8548	2	Bolt-Flanged (6X25)
130B	93-8679	1	Bolt-Flanged
311	114-8698	2	Nut-Hex (6Mm)
13270	114-8689	1	Plate
14037	115-6568	1	Screen
23062	115-6569	1	Bracket
49089	115-6570	1	Shroud-Engine
49089A	115-6571	1	Shroud-Engine
49089B	115-6572	1	Shroud-Engine

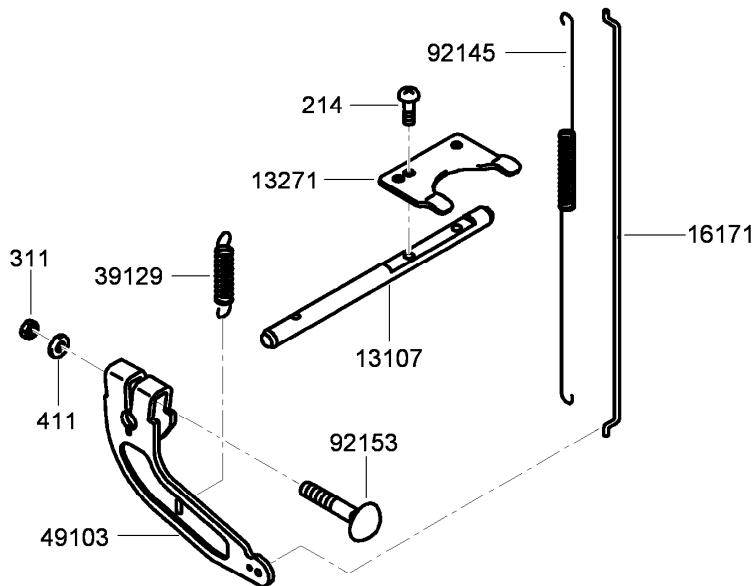
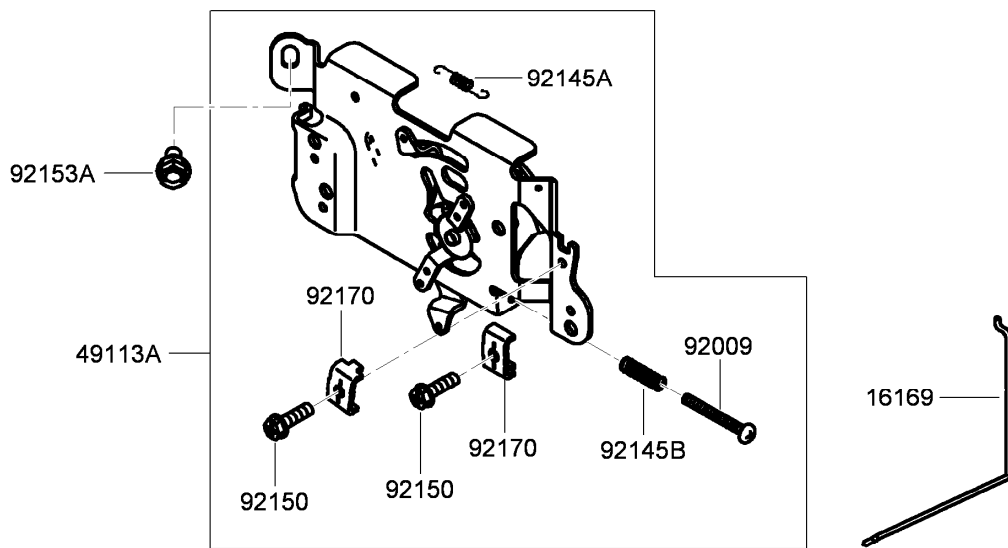
<i>Ref.</i>	<i>Part Number</i>	<i>Qty.</i>	<i>Description</i>
55020	115-6573	1	Guard
59041	114-8694	1	Fan
59066	115-6574	1	Housing-Fan
92004	115-6575	2	Stud
92026	115-6576	1	Spacer
92151	119-5995	3	Bolt, 6X12
92153	108-2544	3	Bolt
92153A	114-8697	1	Bolt
92153B	114-8655	2	Bolt (6X12)
92210	100-2603	1	Nut



## Electric Equipment Assembly

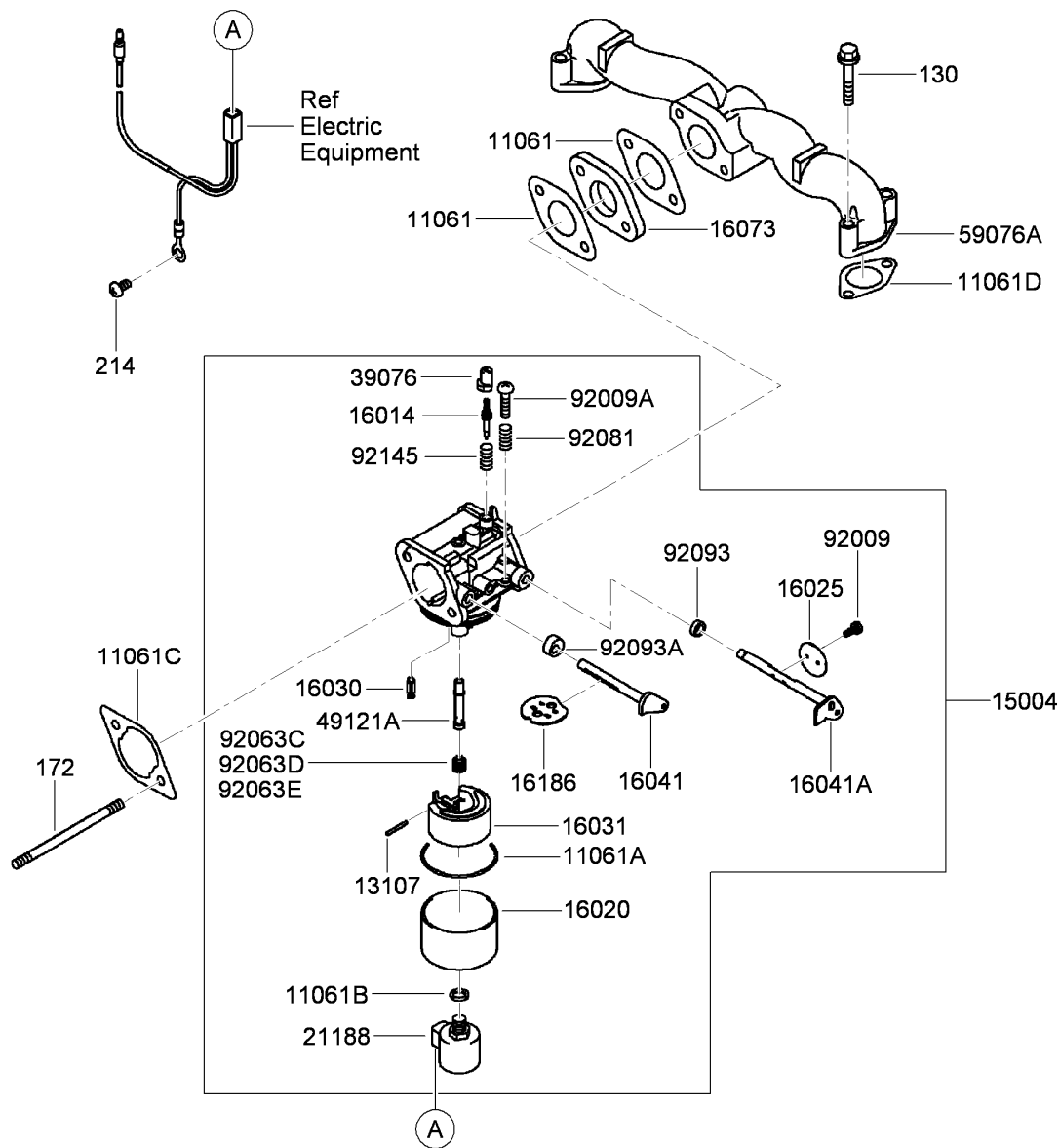
<i>Ref.</i>	<i>Part Number</i>	<i>Qty.</i>	<i>Description</i>
130	95-9893	2	Bolt-Flanged (6X20)
311	114-8698	2	Nut-Hex (6Mm)
510	114-8639	1	Key-Woodruff
21066	115-6578	1	Regulator-Voltage
21171	115-6579	2	Ignition Coil ASM
21193	115-6580	1	Flywheel ASM
26030	115-6402	1	Harness
26031	115-6581	1	Harness
27010	117-6262	1	Switch

<i>Ref.</i>	<i>Part Number</i>	<i>Qty.</i>	<i>Description</i>
59031A	119-5996	1	Coil-Charging
92004	115-6584	2	Stud
92009	95-9716	1	Screw
92070	115-6407	2	Sparkplug
92072	115-6585	3	Band
92151	115-6408	1	Bolt (12X30)
92172	115-4030	4	Screw (5X20)
92200	115-4031	1	Washer (12.2X46X3)



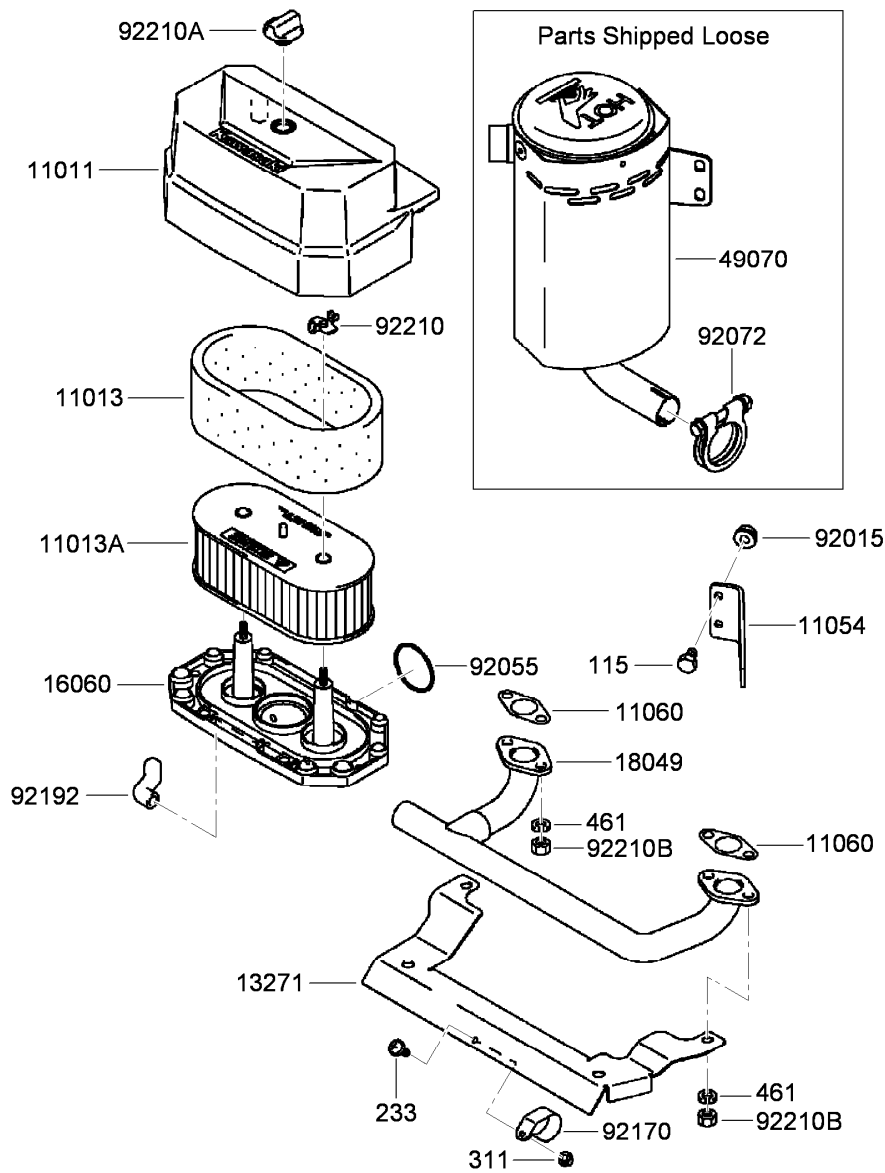
## Control Equipment Assembly

<i>Ref.</i>	<i>Part Number</i>	<i>Qty.</i>	<i>Description</i>	<i>Ref.</i>	<i>Part Number</i>	<i>Qty.</i>	<i>Description</i>
214	115-6422	2	Screw-Pan (4X8)	49113A	119-5997	1	Panel-Control
311	114-8698	1	Nut-Hex (6Mm)	92009	115-6416	1	Screw (4X35)
411	115-6423	1	Washer-Plain (6Mm)	92145	115-6417	1	Spring
13107	115-6409	1	Shaft	92145A	115-6418	1	Spring
13271	115-6410	1	Plate	92145B	115-6620	1	Spring
16169	115-6586	1	Link-Choke	92150	95-9853	2	Bolt (5X18)
16171	115-6587	1	Link	92153	115-6420	1	Bolt (6X35)
39129	115-6413	1	Spring-Governor	92153A	114-8655	2	Bolt (6X12)
49103	115-6414	1	Arm-Governor	92170	115-6421	2	Clamp



## Carburetor Assembly

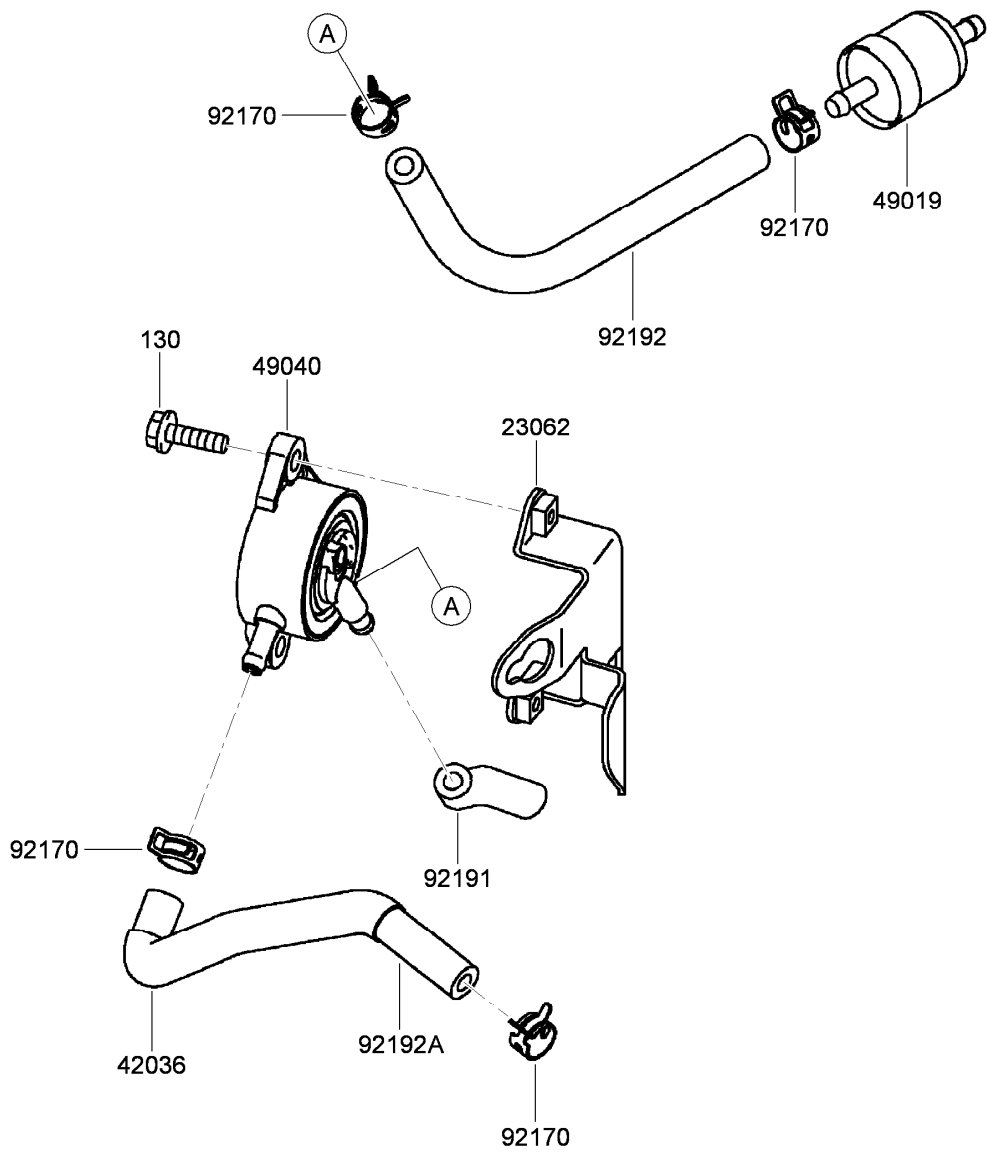
Ref.	Part Number	Qty.	Description	Ref.	Part Number	Qty.	Description
130	115-6591	4	Bolt-Flanged (6X35)	16041A	115-6435	1	Shaft-Throttle, Carburetor
172	115-6596	2	Bolt-Stud (6X90)	16073	115-6594	1	Insulator
214	115-6598	1	Screw-Pan+- (5X10)	16186	115-6595	1	Choke Valve ASM
11061	115-6424	2	Gasket-Insulator	21188	115-6597	1	Solenoid
11061A	115-6425	1	Gasket-Chamber	39076	108-2593	1	Limiter
11061B	108-2580	1	Gasket-Screw	49121A	119-5999	1	Nozzle-Main
11061C	115-6426	1	Gasket-Cleaner, Air	59076A	117-6258	1	Manifold-Intake
11061D	115-6590	2	Gasket	92009	108-2595	2	Screw
13107	115-6427	1	Shaft	92009A	108-2596	1	Screw
15004	119-5998	1	Carburetor-ASM	92063C	117-6259	1	Jet-Main, #108
16014	115-6593	1	Screw-Air, Pilot	92063D	117-6260	1	Jet-Main, #106, 3280Ft
16020	115-6430	1	Chamber-Float	92063E	117-6261	1	Jet-Main, #104, 6560Ft
16025	115-6431	1	Valve-Throttle	92081	108-2598	1	Spring
16030	115-6432	1	Valve-Float	92093	108-2599	1	Seal
16031	115-6433	1	Float	92093A	115-6443	1	Seal
16041	115-6434	1	Shaft-Choke, Carburetor	92145	108-2600	1	Spring



## Air Filter and Muffler Assembly

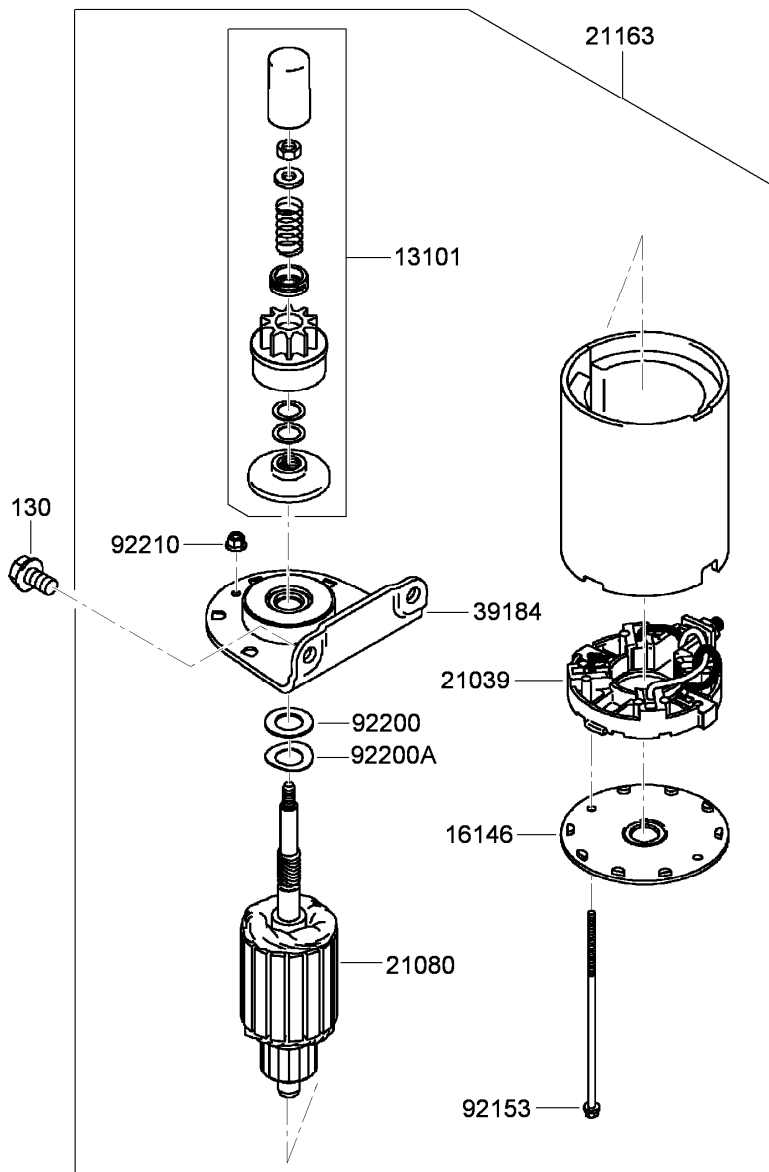
<i>Ref.</i>	<i>Part Number</i>	<i>Qty.</i>	<i>Description</i>
115	115-6606	2	Bolt-Upset, Small (8X14)
233	115-6494	1	Screw-Pan
311	115-6495	1	Nut-Hex
461	115-6496	4	Washer-Spring (8Mm)
11011	115-6604	1	Case-Filter, Air
11013	115-6473	1	Element-Filter, Air
11013A	115-6474	1	Element-Filter, Air
11054	115-6605	1	Bracket
11060	115-6477	2	Gasket-Muffler
13271	115-6607	1	Plate
16060	115-6479	1	Pipe-Intake

<i>Ref.</i>	<i>Part Number</i>	<i>Qty.</i>	<i>Description</i>
18049	115-6608	1	Pipe-Exhaust
49070	115-6609	1	Muffler
92015	95-9793	2	Nut
92055	115-6485	1	O-Ring
92072	115-6486	1	Band
92170	115-6488	1	Clamp
92192	115-6489	1	Tube
92210	115-6490	2	Nut
92210A	108-2612	1	Nut
92210B	115-6611	4	Nut-Hex (M8)



## Fuel Tank and Valve Assembly

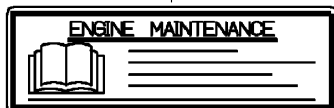
Ref.	Part Number	Qty.	Description
130	95-9893	2	Bolt-Flanged (6X20)
23062	115-6445	1	Bracket
42036	115-6499	1	Sleeve
49019	115-6447	1	Filter-Fuel
49040	115-6448	1	Pump-Fuel
92170	100-2820	4	Clamp
92191	115-6450	1	Tube
92192	115-6451	1	Tube (6.35X12.7X160)
92192A	115-6452	1	Tube (6.35X12.7X180)



## Starter Assembly

<i>Ref.</i>	<i>Part Number</i>	<i>Qty.</i>	<i>Description</i>
130	93-8679	2	Bolt-Flanged
13101	115-6612	1	Gear ASM
16146	117-6263	1	Cover-ASM
21039	115-6613	1	Brush
21080	115-6614	1	Armature
21163	115-6615	1	Starter-Electric
39184	115-6616	1	Bracket ASM
92153	117-6264	1	Bolt
92200	117-6265	2	Washer
92200A	117-6266	1	Washer
92210	117-6267	2	Nut

56033



56070



56080



## Label Set

<i>Ref.</i>	<i>Part Number</i>	<i>Qty.</i>	<i>Description</i>
56033	117-6268	1	Label-Manual
56070	115-6469	1	Label-Warning
56080	115-6619	1	Label-Brand

# Attachments and Accessories

## For 22971 TRX-19 Trencher

<b>Product Name</b>	<b>Model/Part</b>
Heavy-Duty Air Filter Kit.....	115-4029
Crumber Kit .....	22477
24in X 4in Soil Chain.....	22480
24in X 4in Combination Chain .....	22481
24in X 4in Rock Tooth Chain.....	22482
24in X 6in Soil Chain.....	22483
24in X 6in Combination Chain .....	22484
24in X 6in Rock Tooth Chain.....	22485
36in X 4in Soil Chain.....	22486
36in X 4in Combination Chain .....	22487
36in X 4in Rock Tooth Chain.....	22488
36in X 6in Rock Tooth Chain.....	22489
36in X 6in Soil Chain.....	22490
36in X 6in Combination Chain .....	22491
48in x 4in Soil Chain .....	22492
48in x 4in Combination Chain .....	22493
48in x 6in Soil Chain .....	22494
48in x 6in Combination Chain .....	22495
24in Trencher Boom .....	22975
36in Trencher Boom .....	22976
48in Trencher Boom .....	22977
Backfill Blade .....	22980
Screen-Spark Arrestor.....	94-8157

**Notes:**

**Notes:**

**Notes:**



**Count on it.**