



Count on it.

Parts Catalog

Stump Grinder

Compact Utility Loaders

Model No. 22429—Serial No. 31000001 and Up

Ordering Replacement Parts

To order replacement parts, please supply the part number, the quantity, and the description of each part desired.

Understanding Reference Numbers

Each identified part in an illustration has a reference number. The reference number for a part also appears in the parts list, along with other information about the part.

This catalog uses two special reference number formats, one to indicate parts in a service assembly and another to indicate the quantity of a given part in an illustration.

Service Assembly Reference Numbers

Parts in service assemblies have reference numbers in the form a:b. The a represents the reference number of the entire service assembly and the b represents a sequential number unique to each part within the service assembly.

For example, a wheel assembly might be identified by reference number 6, the tire by 6:1, the valve by 6:2, and the wheel by 6:3. When you order the assembly identified by reference number 6, you receive all parts identified by reference numbers 6:1, 6:2, and 6:3. However, you may also order any part individually. Reference numbers of this type appear in illustration and in parts lists.

Reference Numbers Indicating Quantity

In an illustration, if a reference number indicates more than one part, the reference number has the form nX y. The n represents the quantity of the part, the X is the multiplication symbol, and the y represents the reference number.

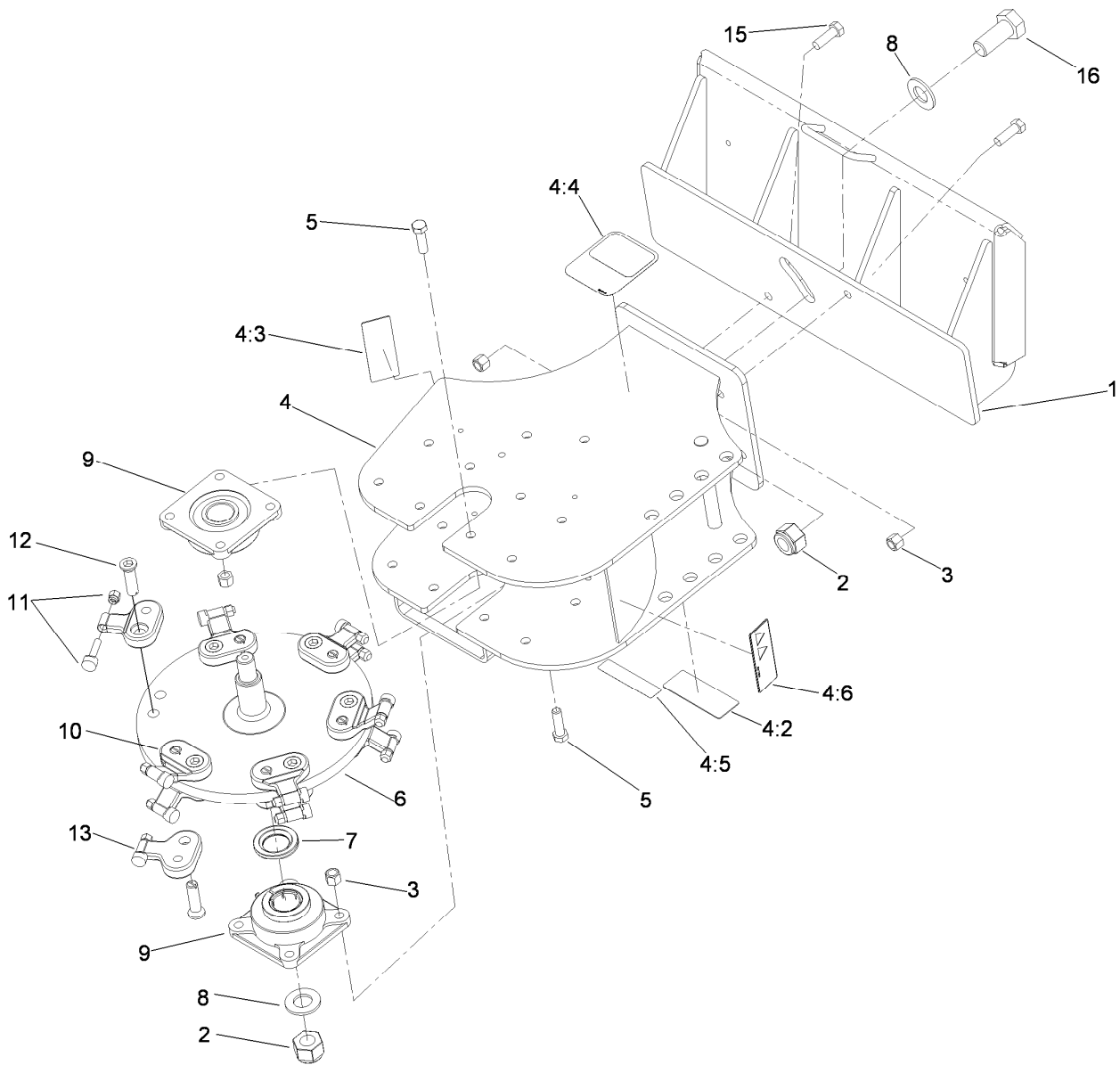
For example, in an illustration, the reference number 2X 37 means that two of the parts identified by reference number 37 are indicated.

List of Abbreviations

AR: as required	HSBH: hex socket button head	SFH: slotted fillister head
ASM: assembly	HSFH: hex socket flat head	SHH: slotted hex head
BBC: blade brake control	HSH: hex socket head	SHWH: slotted hex washer head
BHTF: button head thread forming	HWH: hex washer head	SPH: slotted pan head
CARR: carriage	HWHTF: hex washer head thread forming	SQH: square head
CCW: counter clockwise	HYD: hydraulic	SRH: slotted round head
CW: clockwise	LH: left hand	STD: standard
DEG: degrees	LP: Liquid Propane	TAP: self tapping
ECM: electronic control module	NI: nylon insert	TTH: torx truss head
EXT: external	NPTF: national pipe thread fine	
FH: flat head	PFH: phillips flat head	
GA: gauge	PPH: phillips pan head	
HD: heavy-duty	PPHTF: phillips pan head thread forming	
HF: hex flange	PRH: phillips round head	
HH: hex head	PTH: phillips truss head	
HHF: hex head flange	PTO: power-take-off	
HHFTF: hex head flange thread forming	RH: right hand	
HJ: hex jam	ROPS: roll-over protection system	
HLH: hex lag head	RRB: rear roller brush	
HOC: height-of-cut		

Contents

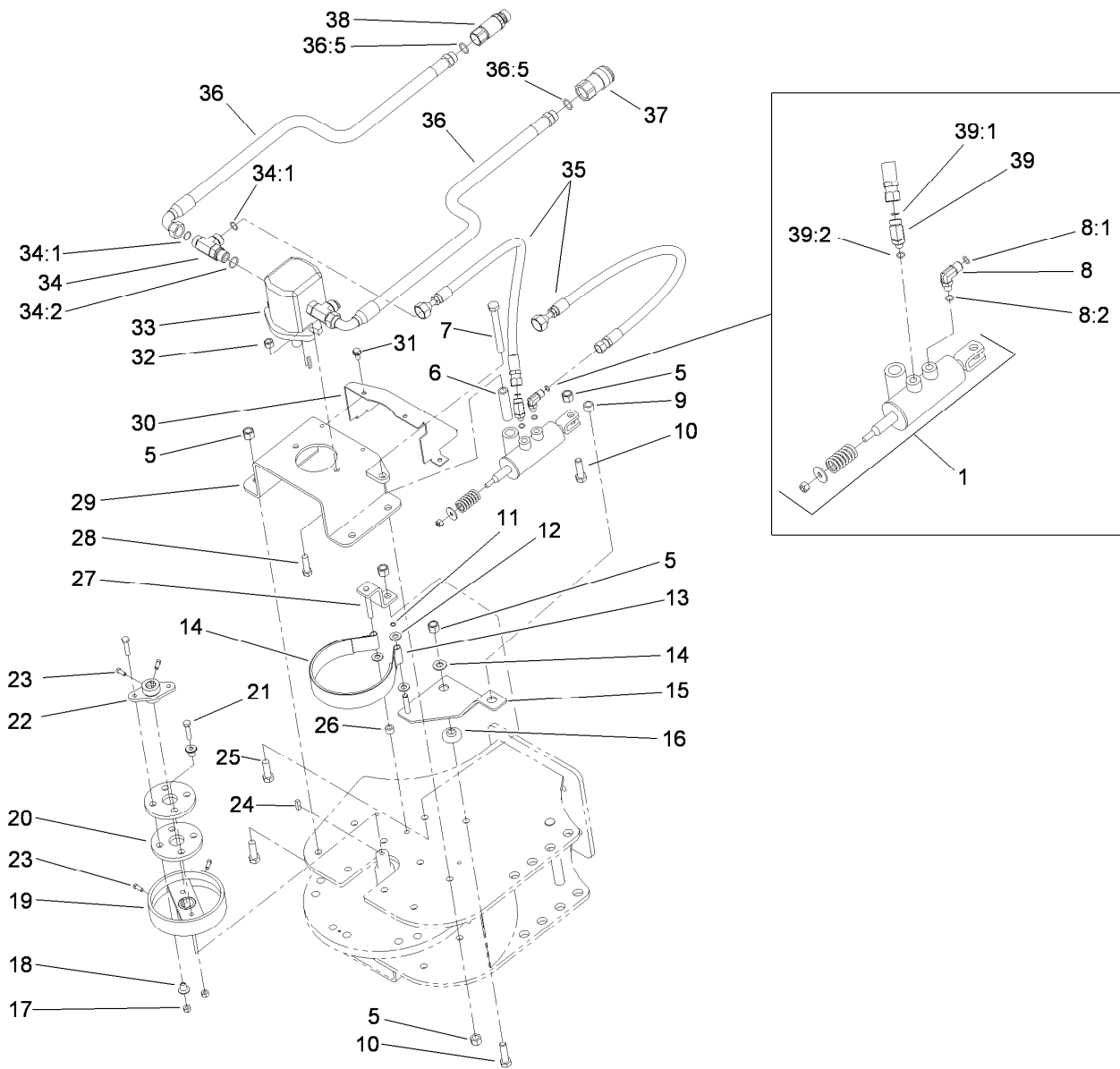
Grinder Frame and Head Assembly	4
Hydraulic Motor and Brake Assembly	5
Hydraulic Cylinder Assembly No. 104-6094	7
Hydraulic Gear Motor No. 104-2010	8
Shield and Guard Assembly	9



Grinder Frame and Head Assembly

Ref.	Part Number	Qty.	Description
1	104-2001-03	1	Quick Attach ASM
2	104-2024	2	Nut-Hex, NI
3	3296-23	10	Nut-Lock, NI
4	104-5807	1	Grinder Frame ASM
4:2	107-9366	1	Decal-Warning
4:3	93-7321	1	Decal-Danger
4:4	93-7340	1	Decal
4:5	93-9854	1	Decal-Warning
4:6	104-5850	1	Decal-Warning
5	325-7	8	Screw-HH

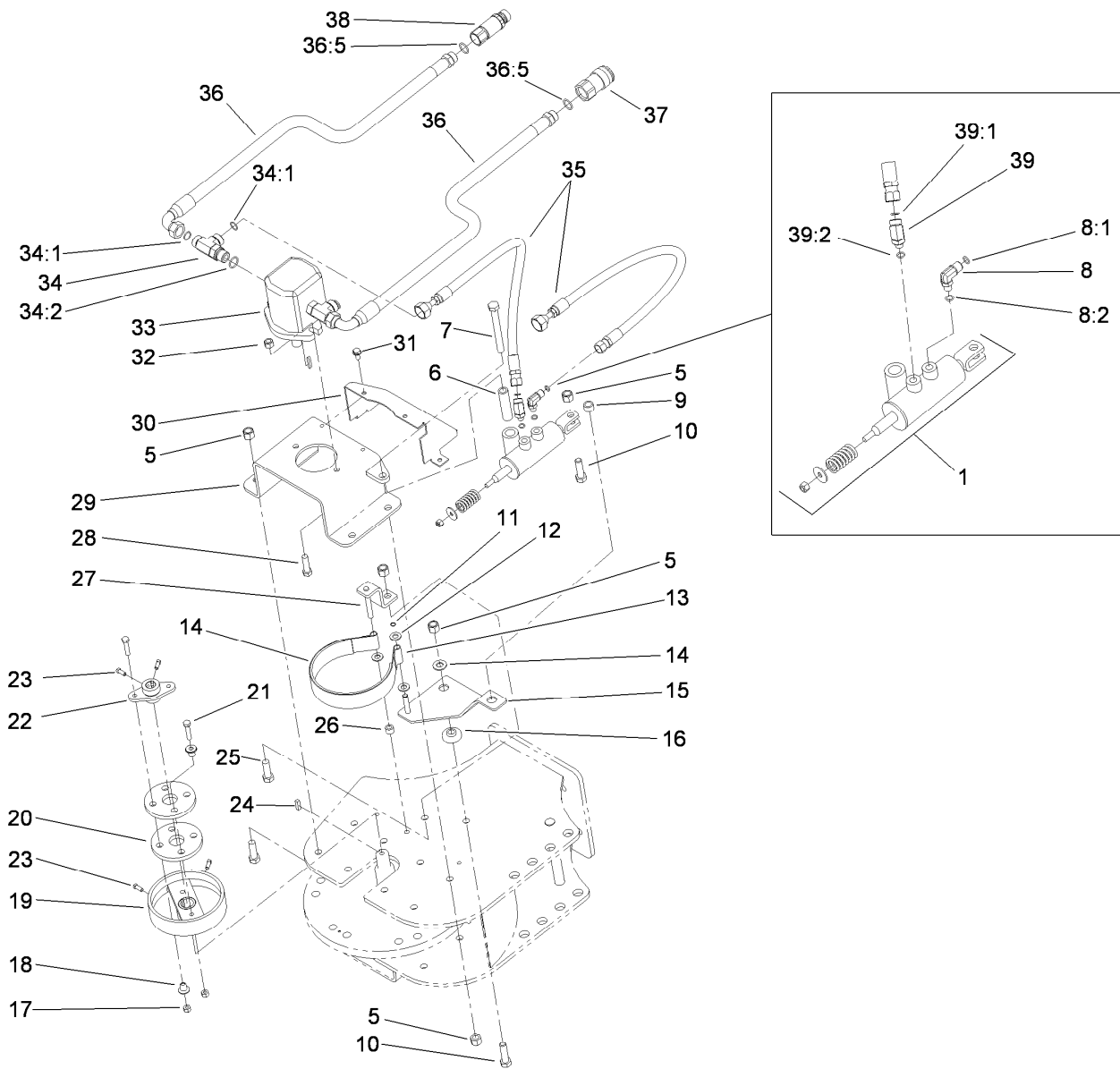
Ref.	Part Number	Qty.	Description
6	104-2025-03	1	Wheel-Cast
7	104-2036	1	Washer-Bearing
8	3256-62	2	Washer-Flat
9	104-2026	2	Bearing
10	115-9384	6	Pocket-Angled
11	115-9385	12	Grinder Tooth ASM
12	115-9386	12	Bolt-HSH, RH
13	115-9388	6	Pocket-Straight
15	325-6	2	Screw-HH
16	104-2035	1	Screw-Cap



Hydraulic Motor and Brake Assembly

Ref.	Part Number	Qty.	Description	Ref.	Part Number	Qty.	Description
1	104-6094	1	Cylinder ASM	21	322-7	4	Screw-HH
5	3296-23	7	Nut-Lock, NI	22	104-5830	1	Hub/Spacer ASM
6	104-5801	1	Spacer-Cylinder	23	3241-5	4	Screw-Set
7	325-19	1	Screw-HH	24	10-7070	1	Key-Square
8	340-97	1	Fitting-HYD, 90 DEG	25	325-6	4	Screw-HH
8:1	237-22	1	O-Ring	26	52-2480	1	Spacer-Wheel
8:2	237-78	1	O-Ring	27	104-5800-03	1	Brake Rod ASM
9	104-5825	1	Spacer-Clevis	28	324-6	2	Screw-HH
10	325-7	2	Screw-HH	29	104-5806-03	1	Motor Mount ASM
11	32120-46	1	Ring-Retaining	30	104-5836-03	1	Cover-Brake
12	3256-24	3	Washer-Flat	31	32144-14	4	Screw-HWHTF
13	104-2038	1	Brake Band ASM	32	3296-48	2	Nut-Lock, NI
14	3256-26	1	Washer-Flat	33	104-2010	1	Motor-HYD
15	104-2042-03	1	Brake Bracket ASM	34	340-22	2	Fitting-HYD, Tee
16	104-1991	1	Spacer-Brake	34:1	237-65	2	O-Ring
17	3296-29	4	Nut-Lock, NI	34:2	237-80	1	O-Ring
18	71-4411	4	Spacer	35	104-5835	2	Hydraulic Hose ASM
19	104-2037	1	Drum-Brake	36	104-2034	2	Hose-Hydraulic
20	44-2230	2	Coupling-Rubber	36:5	237-80	1	O-Ring

● Not illustrated

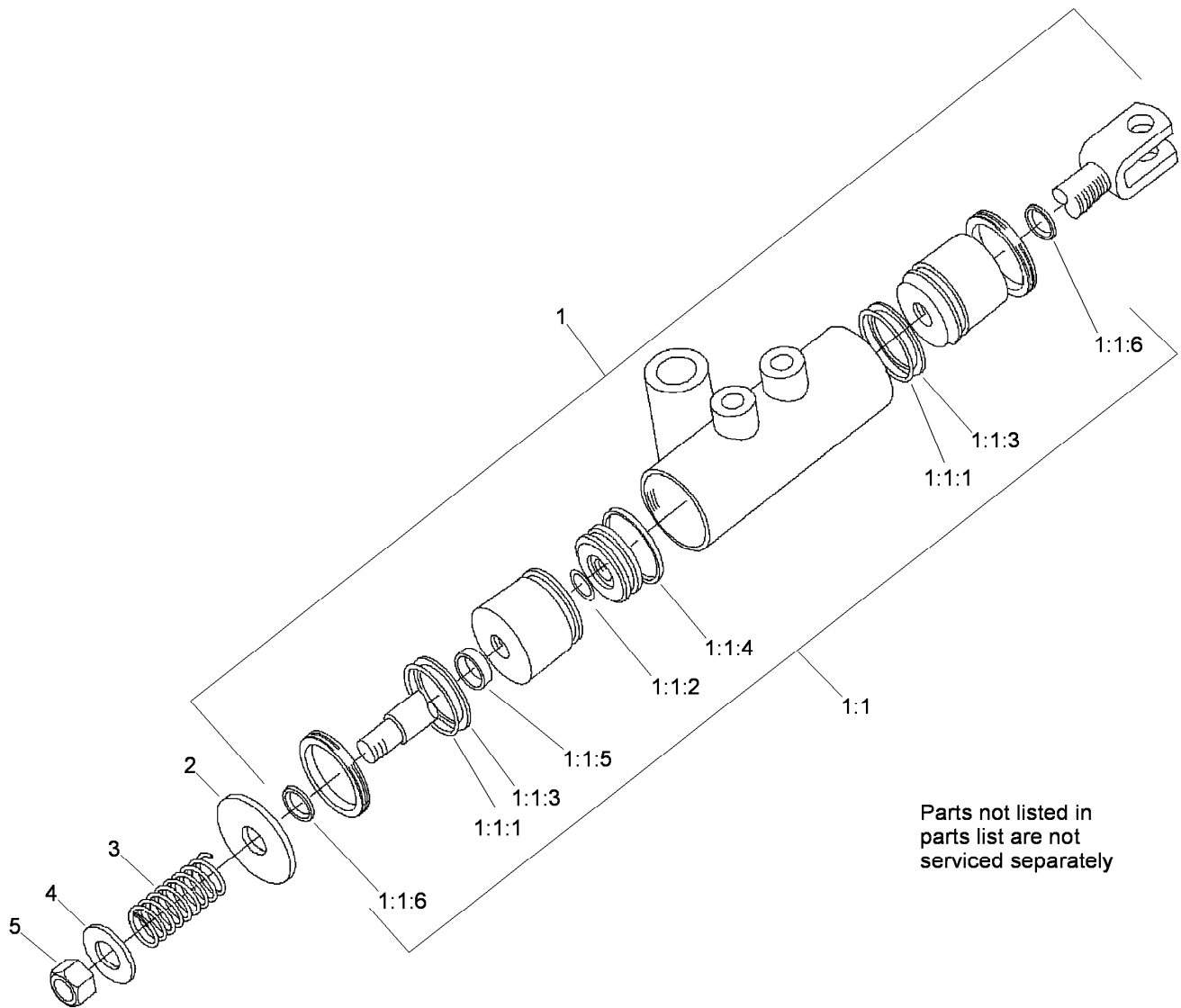


Hydraulic Motor and Brake Assembly (continued)

Ref.	Part Number	Qty.	Description
37	104-6134	1	Coupler-Face, Flush
38	100-4701	1	Nipple-Connect, Pressure
38:1	100-6120	1	Seal Kit ●

Ref.	Part Number	Qty.	Description
39	340-54	1	Elbow-45 DEG
39:1	237-22	1	O-Ring
39:2	237-78	1	O-Ring

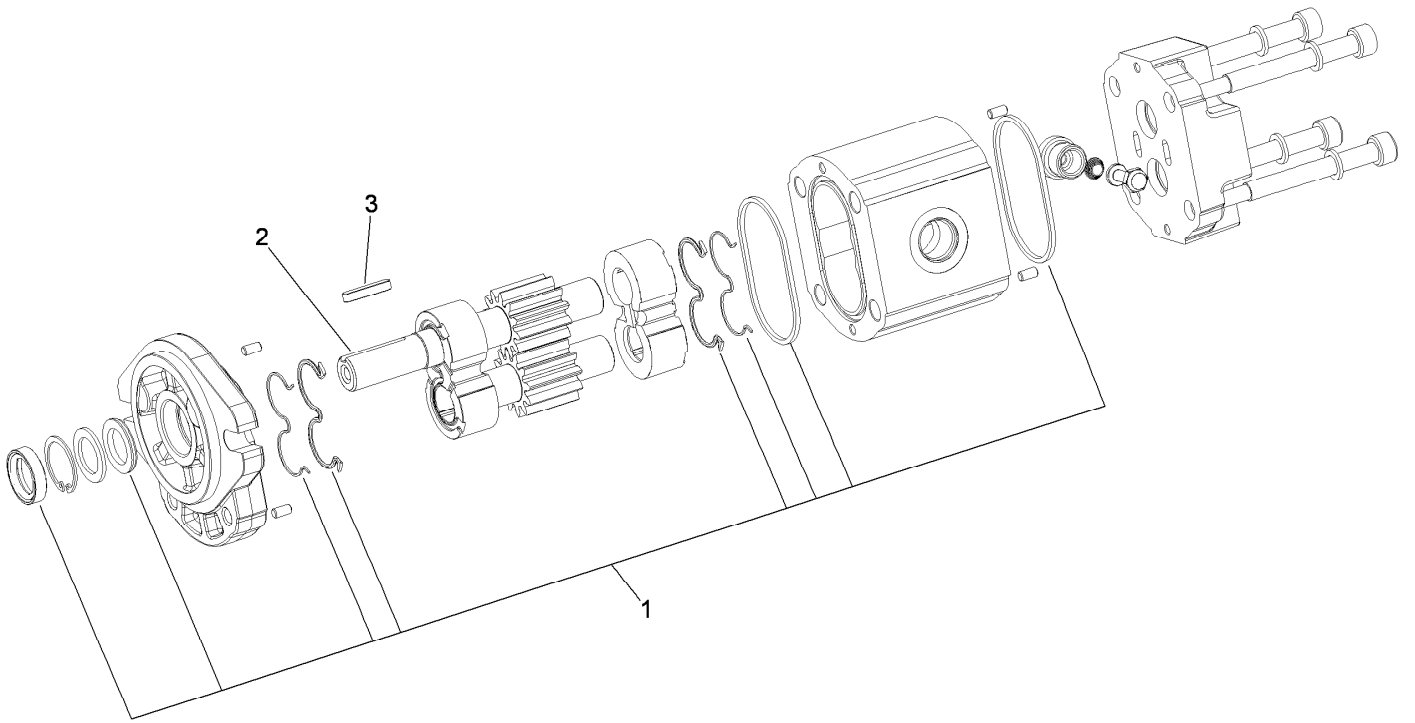
● Not illustrated



Hydraulic Cylinder Assembly No. 104-6094

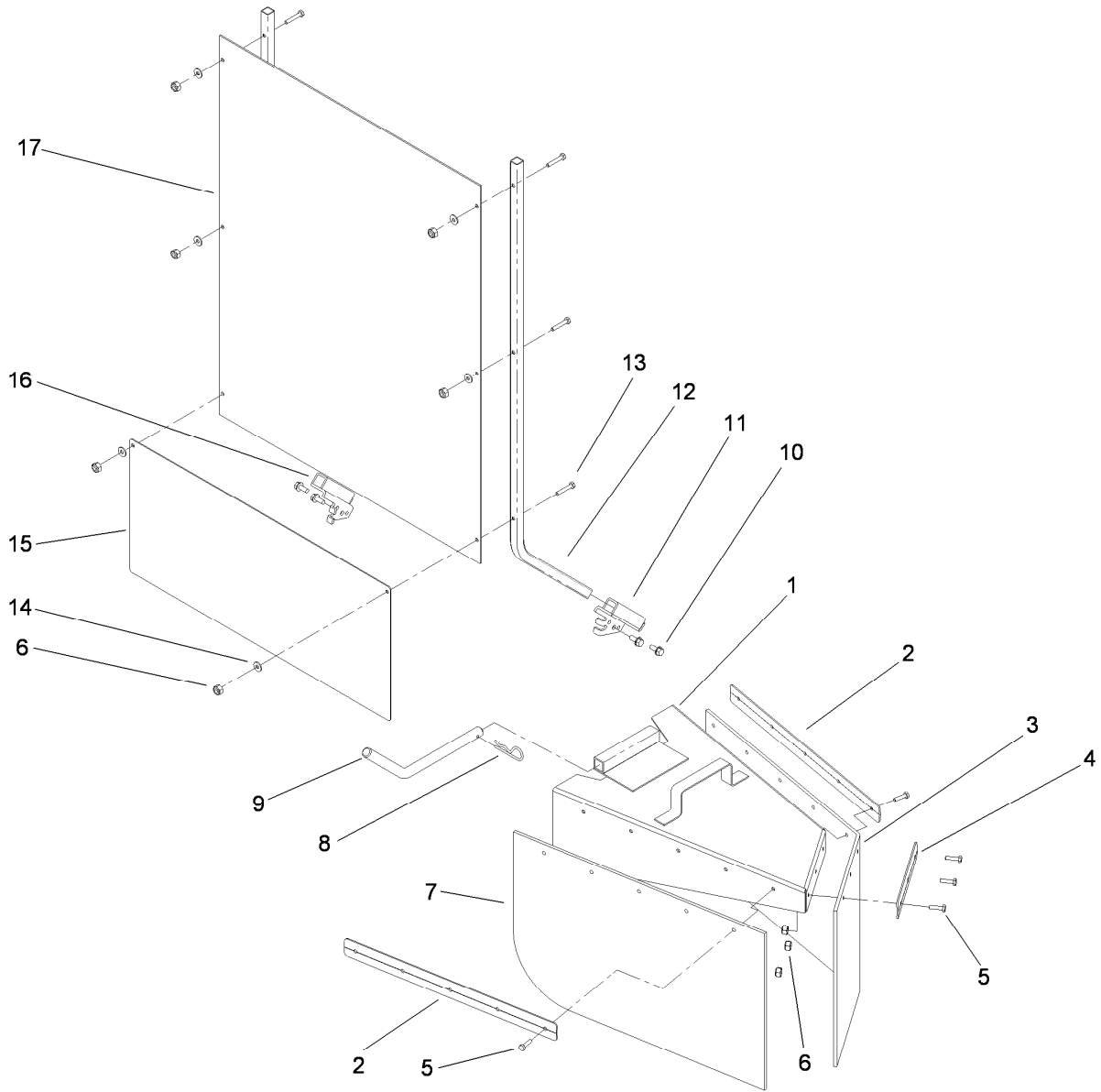
Ref.	Part Number	Qty.	Description
1	104-6093	1	Hydraulic Cylinder ASM
1:1	104-5847	1	Seal Kit
1:1:1		2	O-Ring ●
1:1:2		1	O-Ring ●
1:1:3		2	O-Ring, Backup ●
1:1:4		1	T-Seal ●
1:1:5		2	Seal-Rod ●
1:1:6		2	Seal-Dust ●
2	104-5837	1	Washer-Cylinder
3	66-9010	1	Spring-Compression
4	3256-82	1	Washer-Flat
5	3296-29	1	Nut-Lock, NI

● Not serviced separately



Hydraulic Gear Motor No. 104-2010

<i>Ref.</i>	<i>Part Number</i>	<i>Qty.</i>	<i>Description</i>
1	100-4629	1	Seal Kit
2	104-5838	1	Shaft-Motor
3	104-5839	1	Key-Square



Shield and Guard Assembly

<i>Ref.</i>	<i>Part Number</i>	<i>Qty.</i>	<i>Description</i>
1	104-2012-03	1	Chipper Guard ASM
2	104-2019-03	2	Clamp-Skirt
3	104-2022	1	Guard-Skirt, Rear
4	104-2021-03	1	Clamp-Skirt
5	321-6	13	Screw-HH
6	3296-8	21	Nut-Lock
7	104-2023	1	Guard-Skirt, Front
8	3290-343	1	Pin-Hair
9	104-2018	1	Pin-Hinge

<i>Ref.</i>	<i>Part Number</i>	<i>Qty.</i>	<i>Description</i>
10	32144-70	4	Screw-HWHTF
11	104-5817-03	1	Bracket-Support, LH
12	104-5815-03	2	Support-Shield
13	321-9	6	Screw-HH
14	3256-78	6	Washer-Flat
15	104-5820	1	Skirt-Protector
16	104-5818-03	1	Bracket-Support, RH
17	104-5827	1	Shield-Lexan

Notes:

Notes:



Count on it.