



**Count on it.**

**Parts Catalog**

**Brush Chipper**

Model No. 22604—Serial No. 310000001 and Up

Model No. 22604THD—Serial No. 310000001 and Up



# Ordering Replacement Parts

To order replacement parts, please supply the part number, the quantity, and the description of each part desired.

## Understanding Reference Numbers

Each identified part in an illustration has a reference number. The reference number for a part also appears in the parts list, along with other information about the part.

This catalog uses two special reference number formats, one to indicate parts in a service assembly and another to indicate the quantity of a given part in an illustration.

## Service Assembly Reference Numbers

Parts in service assemblies have reference numbers in the form a:b. The a represents the reference number of the entire service assembly and the b represents a sequential number unique to each part within the service assembly.

For example, a wheel assembly might be identified by reference number 6, the tire by 6:1, the valve by 6:2, and the wheel by 6:3. When you order the assembly identified by reference number 6, you receive all parts identified by reference numbers 6:1, 6:2, and 6:3. However, you may also order any part individually. Reference numbers of this type appear in illustration and in parts lists.

## Reference Numbers Indicating Quantity

In an illustration, if a reference number indicates more than one part, the reference number has the form nX y. The n represents the quantity of the part, the X is the multiplication symbol, and the y represents the reference number.

For example, in an illustration, the reference number 2X 37 means that two of the parts identified by reference number 37 are indicated.

# List of Abbreviations

**AR:** as required

**ASM:** assembly

**BBC:** blade brake control

**BHTF:** button head thread forming

**CARR:** carriage

**CCW:** counter clockwise

**CW:** clockwise

**DEG:** degrees

**DPA:** Dual Point Adjustment

**ECM:** electronic control module

**EXT:** external

**FH:** flat head

**GA:** gauge

**HD:** heavy-duty

**HF:** hex flange

**HH:** hex head

**HHF:** hex head flange

**HHFTF:** hex head flange thread forming

**HJ:** hex jam

**HLH:** hex lag head

**HOC:** height-of-cut

**HSBH:** hex socket button head

**HSFH:** hex socket flat head

**HSH:** hex socket head

**HWH:** hex washer head

**HWTF:** hex washer head thread forming

**HYD:** hydraulic

**LH:** left hand

**LPG:** Liquid Propane Gas

**NI:** nylon insert

**NPTF:** national pipe thread fine

**PFH:** phillips flat head

**PPH:** phillips pan head

**PPHTF:** phillips pan head thread forming

**PRH:** phillips round head

**PTH:** phillips truss head

**PTO:** power-take-off

**RH:** right hand

**ROPS:** roll-over protection system

**RRB:** rear roller brush

**SFH:** slotted fillister head

**SHH:** slotted hex head

**SHWH:** slotted hex washer head

**SPH:** slotted pan head

**SQH:** square head

**SRH:** slotted round head

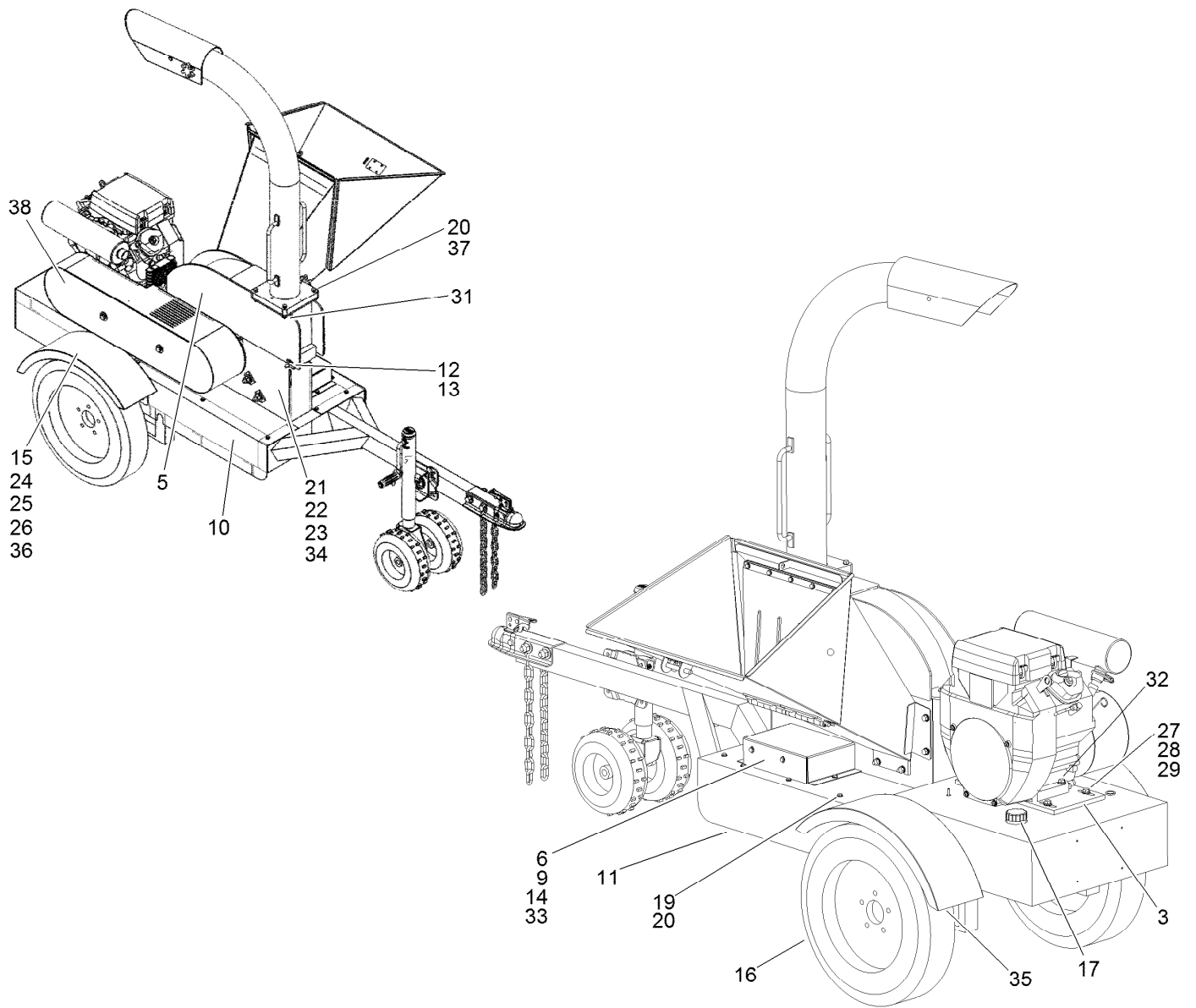
**STD:** standard

**TAP:** self tapping

**TTH:** torx truss head

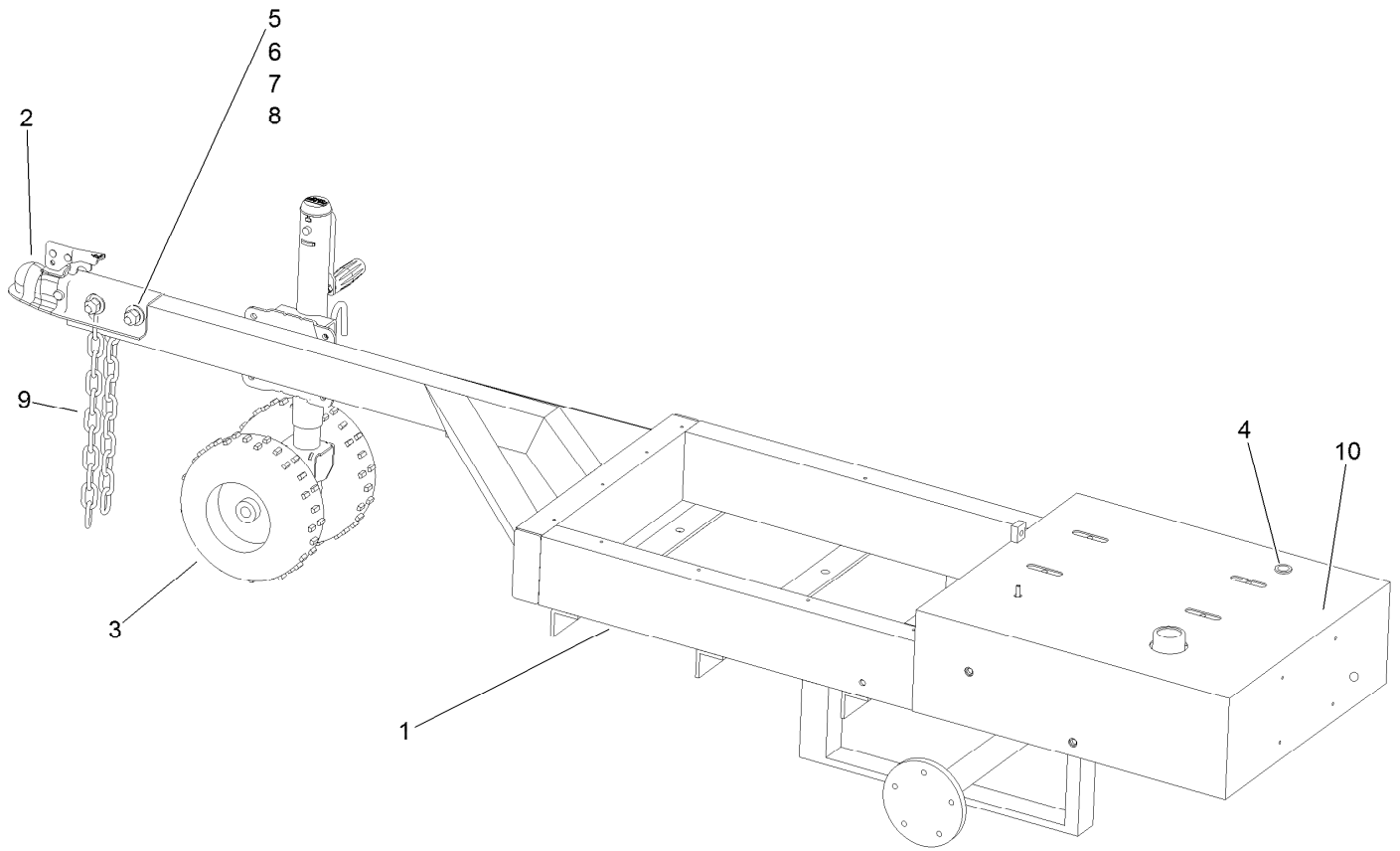
# Contents

|                                   |    |
|-----------------------------------|----|
| Chipper Assembly .....            | 4  |
| Frame Assembly.....               | 5  |
| Jack Assembly No. 120-1421 .....  | 6  |
| Cutter Wheel Assembly.....        | 7  |
| Engine Assembly .....             | 8  |
| Funnel Assembly .....             | 9  |
| Exit Chute Assembly .....         | 10 |
| Belt Cover Assembly .....         | 11 |
| Trailing Assembly .....           | 12 |
| Labeling Assembly.....            | 13 |
| Attachments and Accessories ..... | 14 |



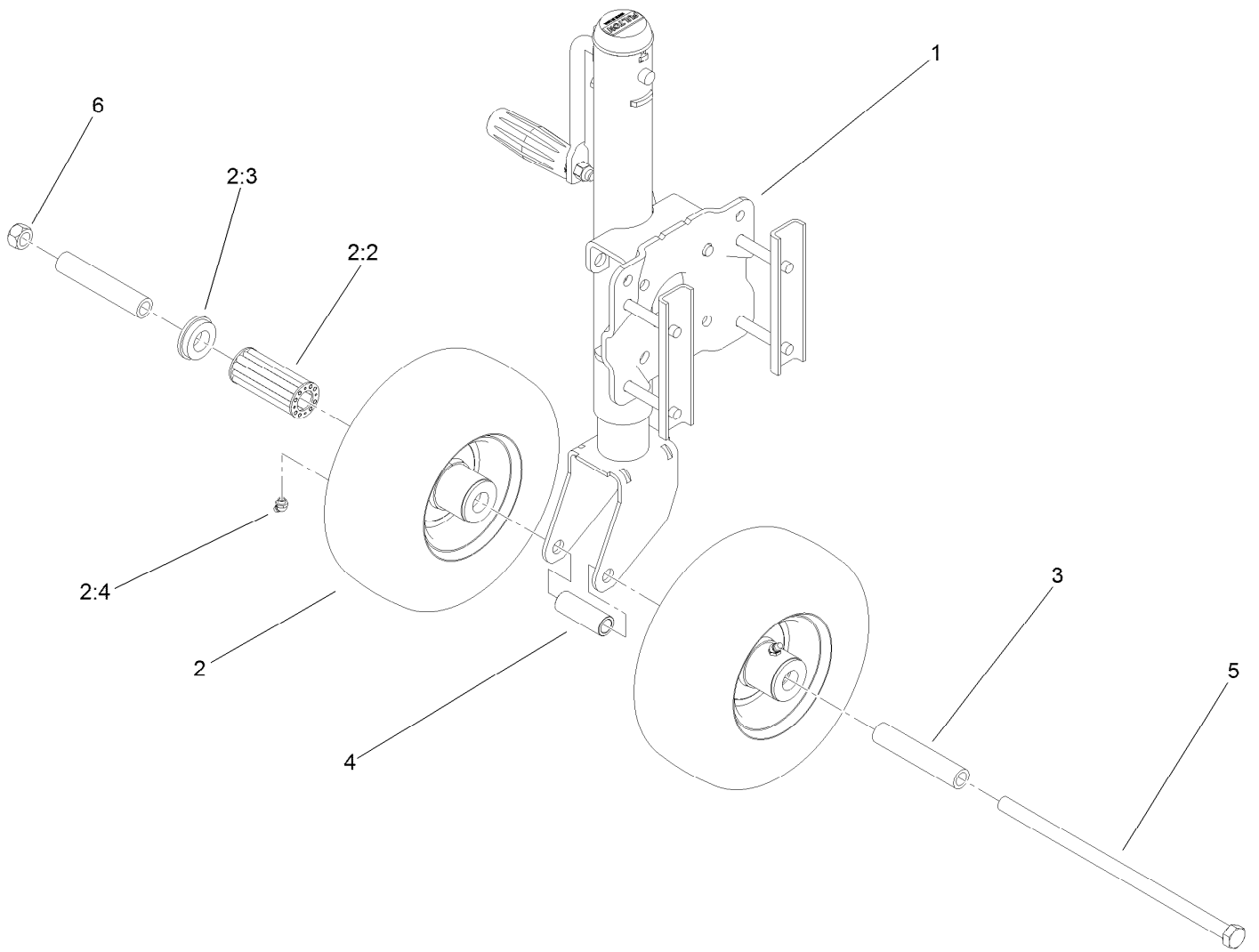
## Chipper Assembly

| Ref. | Part Number | Qty. | Description             | Ref. | Part Number | Qty. | Description                  |
|------|-------------|------|-------------------------|------|-------------|------|------------------------------|
| 3    | 120-1526-01 | 1    | Plate-Engine            | 23   | 3253-7      | 7    | Washer-Lock                  |
| 5    | W000054     | 1    | Chassis Cover ASM       | 24   | 3256-4      | 12   | Washer-Flat                  |
| 6    | W000058     | 1    | Battery Compartment ASM | 25   | 3253-21     | 12   | Washer-Lock                  |
| 9    | 120-1542    | 1    | Battery                 | 26   | 323-4       | 8    | Screw-HH                     |
| 10   | FS000266    | 1    | Bracket-Body, Small     | 27   | 3256-4      | 8    | Washer-Flat                  |
| 11   | FS000265    | 1    | Bracket-Body, Large     | 28   | 3253-21     | 8    | Washer-Lock                  |
| 12   | FS000213    | 1    | Pin-Hinge               | 29   | 323-8       | 4    | Screw-HH                     |
| 13   | 3272-16     | 2    | Pin-Cotter              | 31   | 3217-7      | 5    | Nut-Hex                      |
| 14   | FS000244    | 1    | Plate-Cover, Battery    | 32   | 324-7       | 4    | Screw-HH                     |
| 15   | 110-9981    | 6    | Washer-Plain            | 33   | FS000274    | 1    | Bracket-Battery              |
| 16   | 120-1206    | 2    | Wheel And Tire ASM      | 34   | 120-1292    | 1    | Switch-Plunger, Nc (W/Cover) |
| 17   | 120-1734    | 1    | Cap-Gas                 | 35   | W000046     | 1    | Left Fender ASM              |
| 19   | 32104-95    | 16   | Screw-HWH               | 36   | W000045     | 1    | Right Fender ASM             |
| 20   | 3256-22     | 20   | Washer-Flat             | 37   | 323-10      | 4    | Screw-HH                     |
| 21   | 325-5       | 7    | Screw-HH                | 38   | 120-1546    | 1    | Belt-V, Chipper              |
| 22   | 3256-26     | 7    | Washer-Flat             |      |             |      |                              |



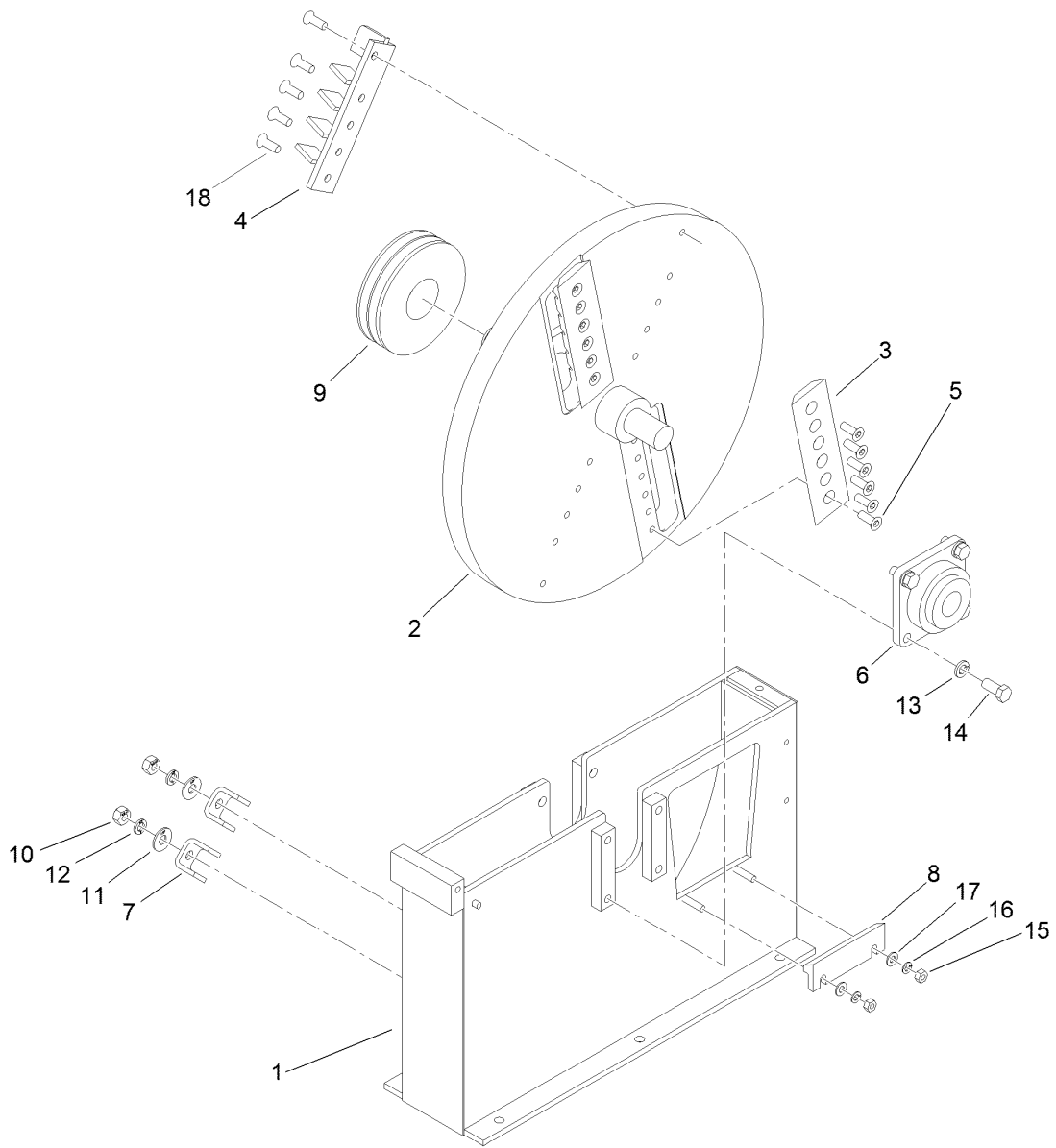
## Frame Assembly

| Ref. | Part Number | Qty. | Description           |
|------|-------------|------|-----------------------|
| 1    | W000060     | 1    | Chipper Trailer ASM   |
| 2    | 117-8371    | 1    | Receiver-Hitch, Ball  |
| 3    | 120-1421    | 1    | Jack ASM              |
| 4    | 120-1541    | 1    | Grommet               |
| 5    | 116-0559    | 2    | Bolt-TAP              |
| 6    | 3256-26     | 4    | Washer-Flat           |
| 7    | 3217-9      | 2    | Nut-HH                |
| 8    | 3253-7      | 2    | Washer-Lock           |
| 9    | 119-3045    | 2    | Chain-Safety, Trailer |
| 10   | W000061     | 1    | Motor Mount ASM       |



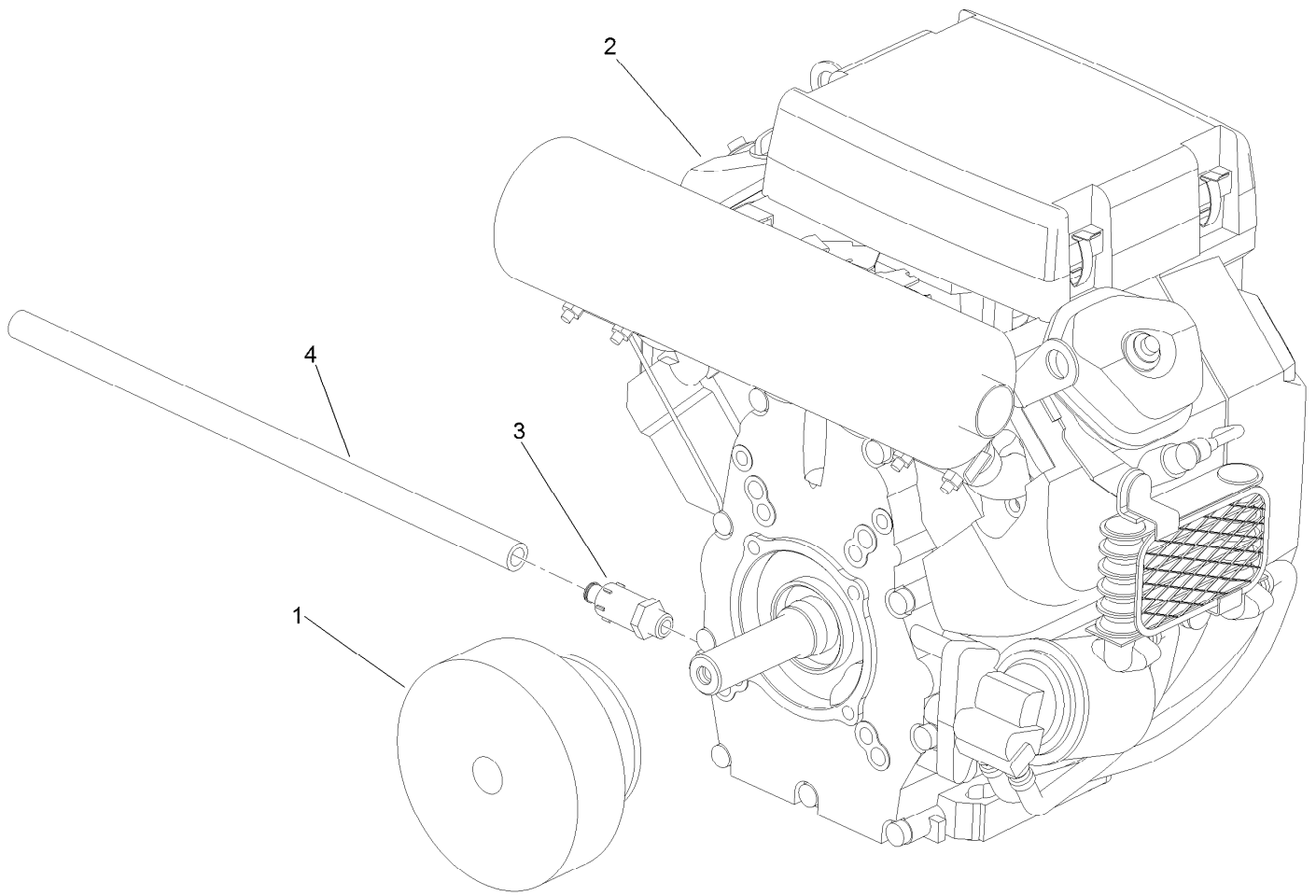
## Jack Assembly No. 120-1421

| Ref. | Part Number | Qty. | Description        |
|------|-------------|------|--------------------|
| 1    | 120-1208    | 1    | Jack-Trailer       |
| 2    | 110-5024    | 2    | Wheel And Tire ASM |
| 2:2  | 112-7066    | 1    | Bearing-Roller     |
| 2:3  | 1-513810    | 2    | Bushing            |
| 2:4  | 302-61      | 1    | Fitting-Grease     |
| 3    | 100-6453    | 2    | Bushing-Spanner    |
| 4    | 109-6653    | 1    | Spacer             |
| 5    | 120-1827    | 1    | Screw-HH           |
| 6    | 32153-5     | 1    | Nut-Hex            |



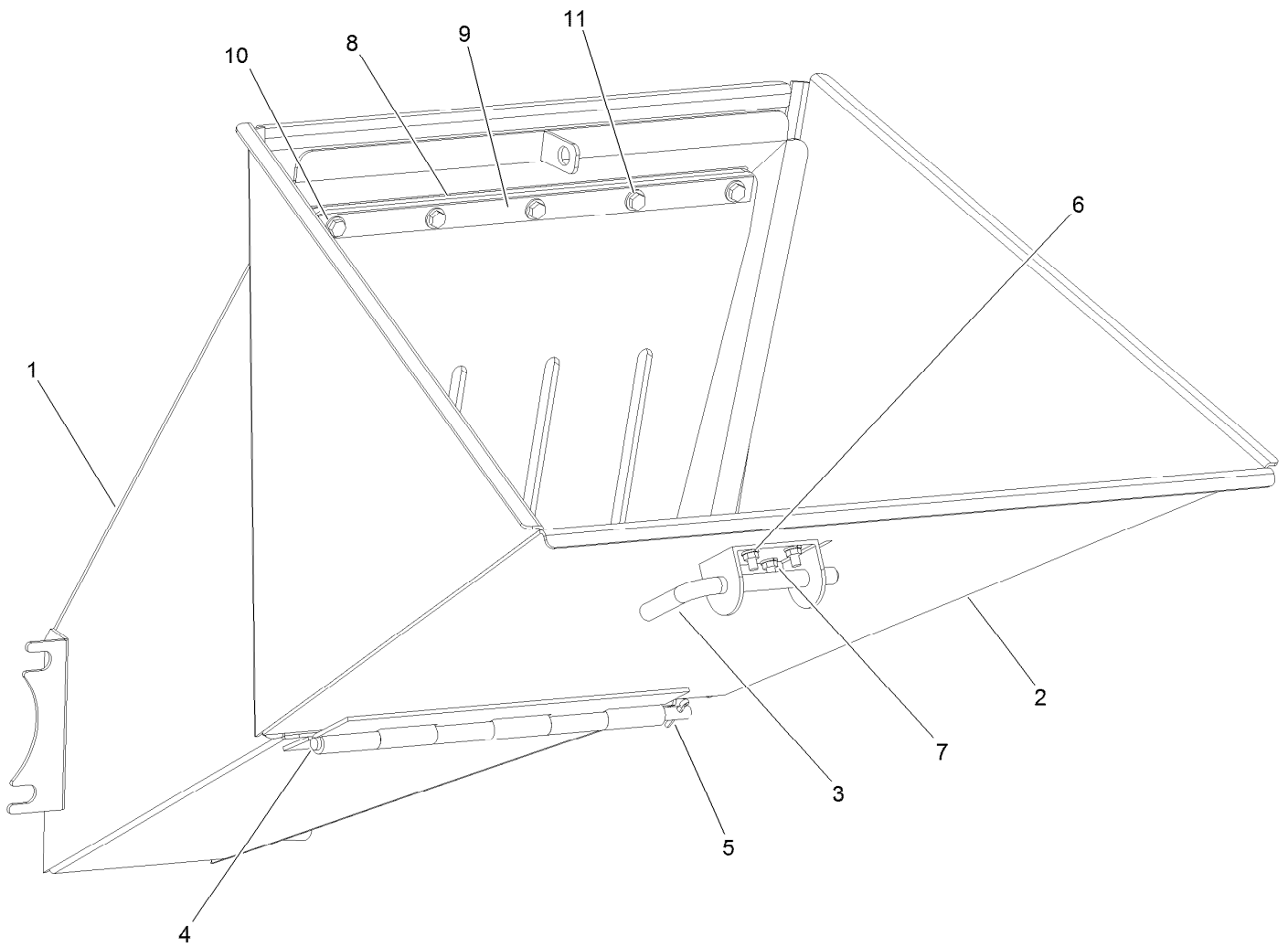
## Cutter Wheel Assembly

| Ref. | Part Number | Qty. | Description               | Ref. | Part Number | Qty. | Description    |
|------|-------------|------|---------------------------|------|-------------|------|----------------|
| 1    | W000052     | 1    | Chassis ASM               | 10   | 3217-5      | 2    | Nut-Hex        |
| 2    | 120-1554    | 1    | Flywheel ASM              | 11   | 3256-26     | 2    | Washer-Flat    |
| 3    | FS000219    | 2    | Blade-Chipper             | 12   | 3253-7      | 2    | Washer-Lock    |
| 4    | W000051     | 2    | Chopper ASM               | 13   | 3253-23     | 8    | Washer-Lock/Sp |
| 5    | 120-1882    | 10   | Screw-HSFH                | 14   | 120-3739    | 8    | Screw-HH       |
| 6    | 120-1538    | 2    | Bearing ASM               | 15   | 3217-7      | 2    | Nut-Hex        |
| 7    | FS000202    | 2    | Plate-Chopper, Stationary | 16   | 3253-21     | 2    | Washer-Lock    |
| 8    | 120-1483    | 1    | Block-Cutter              | 17   | 3256-4      | 2    | Washer-Flat    |
| 9    | A000031     | 1    | Pulley ASM                | 18   | 120-1881    | 10   | Bolt-HSFH      |



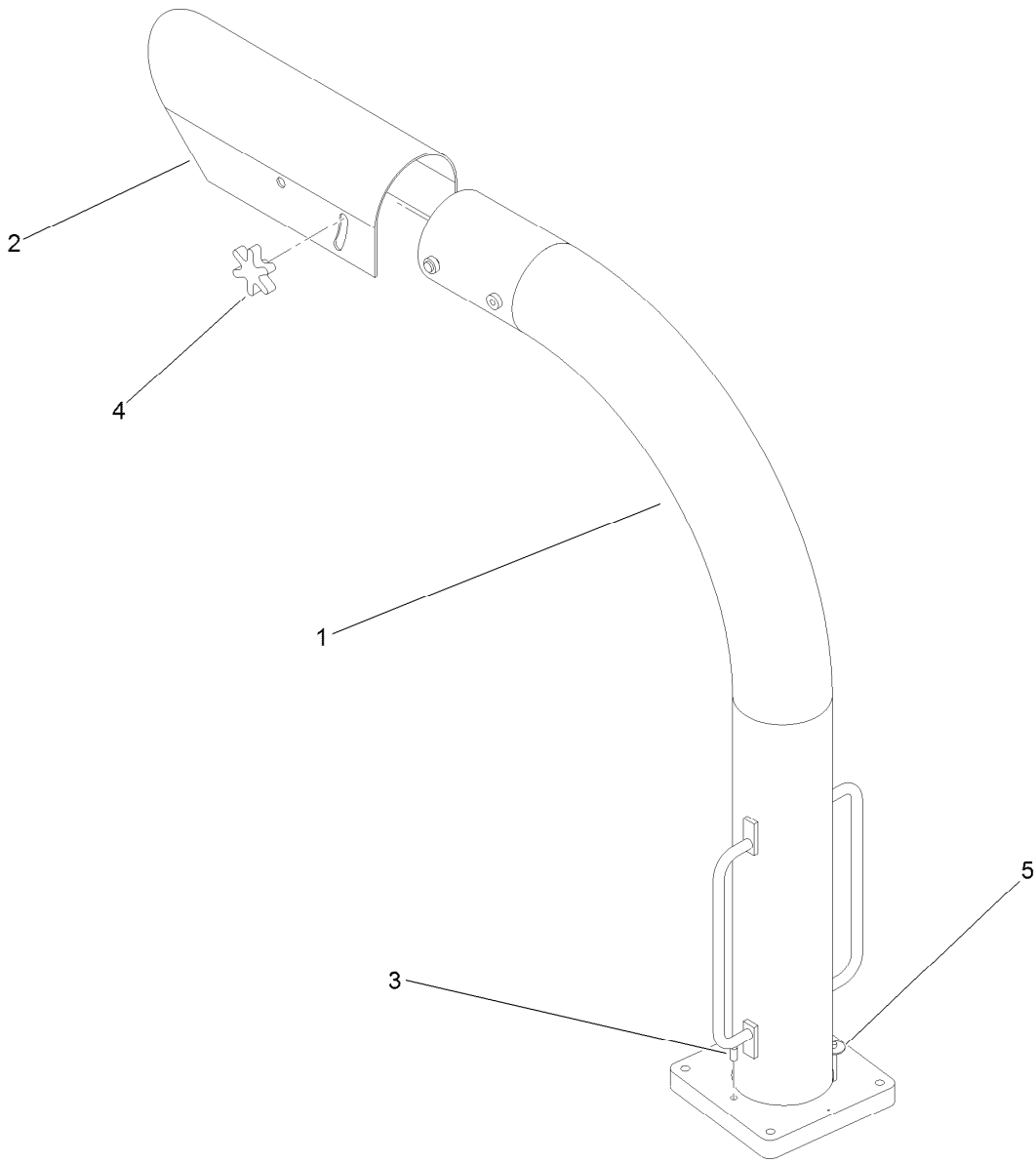
## Engine Assembly

| <i>Ref.</i> | <i>Part Number</i> | <i>Qty.</i> | <i>Description</i>        |
|-------------|--------------------|-------------|---------------------------|
| 1           | 120-1217           | 1           | Clutch-Chipper            |
| 2           | 117-1753           | 1           | Engine-Kohler, Ch730-3262 |
| 3           | 92-6877            | 1           | Valve-Drain, Oil          |
| 4           | 98-4667            | 1           | Hose                      |



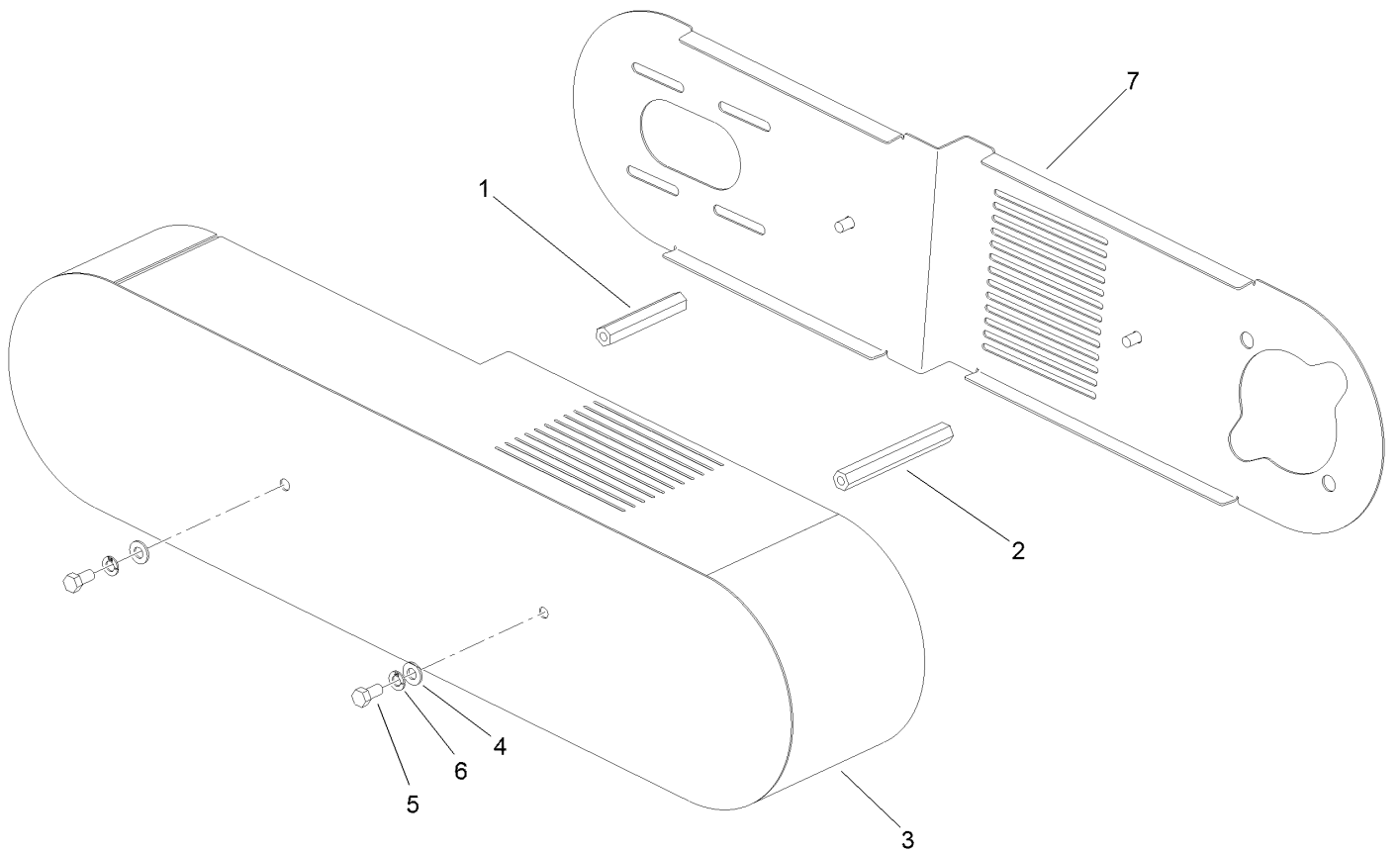
## Funnel Assembly

| <b>Ref.</b> | <b>Part Number</b> | <b>Qty.</b> | <b>Description</b>     |
|-------------|--------------------|-------------|------------------------|
| 1           | W000056            | 1           | Funnel ASM             |
| 2           | W000057            | 1           | Funnel Door ASM        |
| 3           | 120-1427           | 1           | Pin-Latching           |
| 4           | FS000243           | 1           | Rod-Hinge              |
| 5           | 3272-16            | 1           | Pin-Cotter             |
| 6           | 3253-3             | 4           | Washer-Lock            |
| 7           | 3217-5             | 4           | Nut-Hex                |
| 8           | FP000002           | 1           | Flap-Chipper           |
| 9           | FS000275           | 1           | Angle-Flap             |
| 10          | 3256-22            | 5           | Washer-Flat            |
| 11          | 32144-44           | 5           | Screw-HWH, Thread Roll |



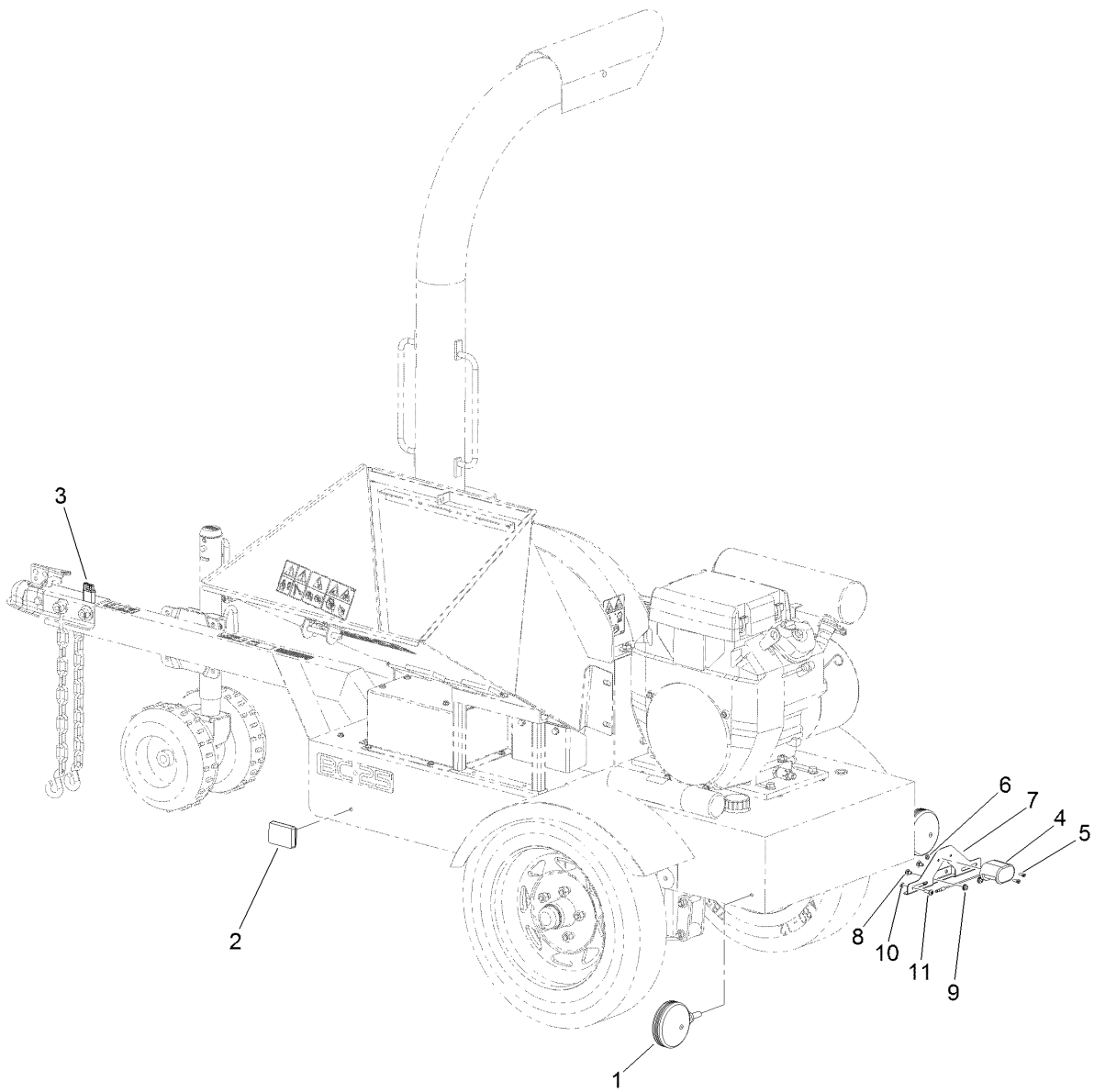
## Exit Chute Assembly

| <i>Ref.</i> | <i>Part Number</i> | <i>Qty.</i> | <i>Description</i>     |
|-------------|--------------------|-------------|------------------------|
| 1           | W000032            | 1           | Exit Chute Assembly    |
| 2           | FS000140           | 1           | Plate-Deflector, Chute |
| 3           | 120-1450           | 1           | Pin-Dowel              |
| 4           | 100-1449           | 1           | Knob                   |
| 5           | 120-1868           | 1           | Pin-Locking            |



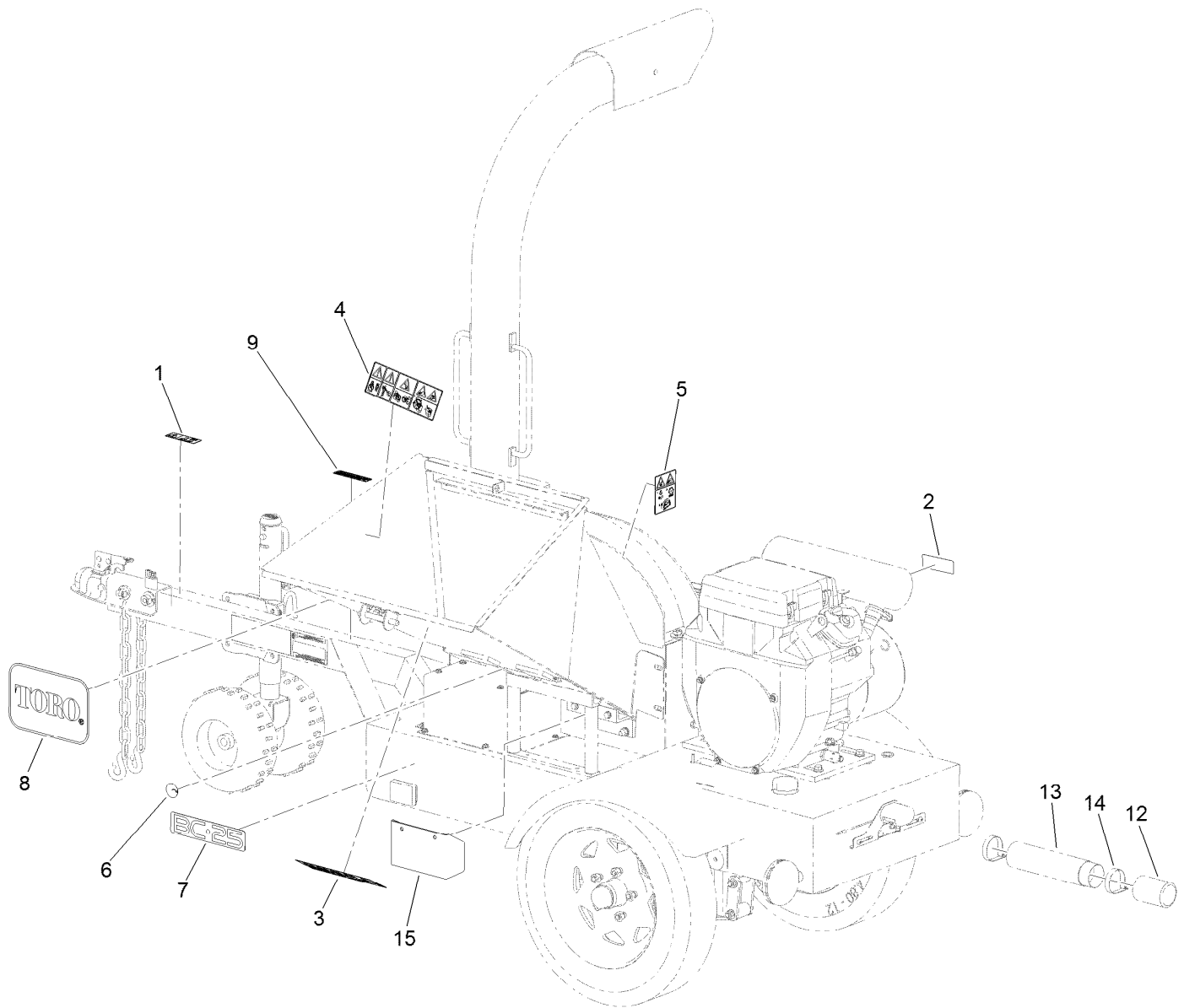
## Belt Cover Assembly

| <i>Ref.</i> | <i>Part Number</i> | <i>Qty.</i> | <i>Description</i>   |
|-------------|--------------------|-------------|----------------------|
| 1           | FS000269           | 1           | Tube-Standoff, Short |
| 2           | FS000268           | 1           | Tube-Standoff, Long  |
| 3           | W000055            | 1           | Belt Guard Cover ASM |
| 4           | 3256-26            | 4           | Washer-Flat          |
| 5           | 325-2              | 4           | Screw-HH             |
| 6           | 3253-7             | 4           | Washer-Lock          |
| 7           | 120-5359-01        | 1           | Guard-Belt, Inner    |



## Trailing Assembly

| Ref. | Part Number | Qty. | Description            |
|------|-------------|------|------------------------|
| 1    | M313-2      | 2    | Light-Tail             |
| 2    | M114A       | 2    | Light-Marker           |
| 3    | B5425Y      | 1    | Harness-Trailer        |
| 4    | 119-3041    | 1    | Lamp-License           |
| 5    | 32105-8     | 2    | Screw-SHH              |
| 6    | 3296-12     | 2    | Nut-Lock, NI           |
| 7    | 119-6072-03 | 1    | Bracket-Plate, License |
| 8    | 3229-10     | 2    | Screw-CARR             |
| 9    | 104-7201    | 2    | Nut-HF                 |
| 10   | 33023-00    | 2    | Nut-Lock               |
| 11   | 60-3260     | 2    | Screw-PPH              |



## Labeling Assembly

| Ref. | Part Number | Qty. | Description                 |
|------|-------------|------|-----------------------------|
| 1    | 119-4696    | 1    | Decal-Caution               |
| 2    | 117-4979    | 1    | Decal-Warning, Shields (Ce) |
| 3    | 119-4698    | 1    | Decal-Danger                |
| 4    | 119-4699    | 1    | Decal-Danger                |
| 5    | 119-4720    | 1    | Decal-Danger                |
| 6    | 117-1754    | 1    | Decal-Indicator, Rotation   |
| 7    | 119-4748    | 2    | Decal                       |
| 8    | 66-6140     | 2    | Decal                       |
| 9    | 117-2718    | 1    | Decal-Arrester, Spark       |
| 12   | 104-7048    | 1    | Cap-Housing                 |
| 13   | 104-7050    | 1    | Tube-Manual                 |
| 14   | 2412-120    | 2    | Clamp-R                     |
| 15   | 119-4737-01 | 1    | Bracket-Cover, Blade        |

# Attachments and Accessories

## For 22604 Brush Chipper

| Product Name                                  | Model/Part |
|---|------------|
| Chipper Blade Tote (set of 3, new).....       | 22605      |
| Chipper Blade Tote (set of 3, sharpened)..... | 22605-SH   |

**Notes:**



**Count on it.**