



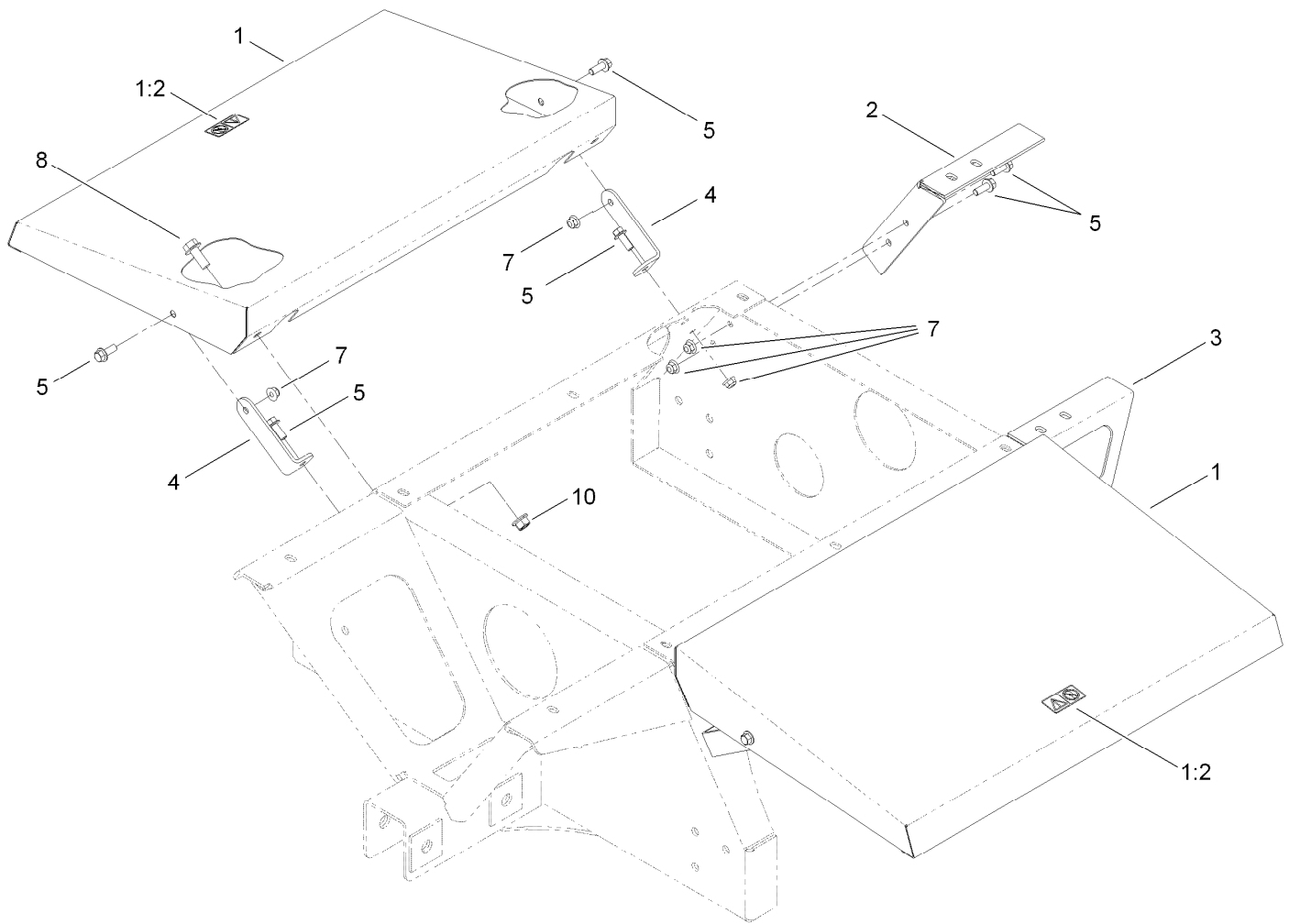
Count on it.

Parts Catalog

Fender Kit

**Tow-Type Chassis for ProPass-200® Top
Dresser**

Model No. 44705



Fender Kit Assembly No. 119-6752

| <i>Ref.</i> | <i>Part Number</i> | <i>Qty.</i> | <i>Description</i> |
|-------------|--------------------|-------------|----------------------------|
| 1 | T36052320 | 2 | Fender ASM |
| 1:2 | 119-6807 | 1 | Decal-Warning, Do Not Step |
| 2 | T36052306-01 | 1 | Gusset-Rear, Right |
| 3 | T36052307-01 | 1 | Gusset-Rear, Left |
| 4 | T36052325-01 | 4 | Strut-Fender, Short |
| 5 | 3234-42 | 12 | Screw-HHF |
| 7 | 104-8301 | 12 | Nut-Flange, NI |
| 8 | 3234-38 | 4 | Screw-HHF |
| 10 | 99-5107 | 4 | Nut-Lock |