



Count on it.

Parts Catalog

**TimeCutter® ZS 5000 Riding
Mower**

Model No. 74387—Serial No. 311000001 and Up

Ordering Replacement Parts

To order replacement parts, please supply the part number, the quantity, and the description of each part desired.

Understanding Reference Numbers

Each identified part in an illustration has a reference number. The reference number for a part also appears in the parts list, along with other information about the part.

This catalog uses two special reference number formats, one to indicate parts in a service assembly and another to indicate the quantity of a given part in an illustration.

Service Assembly Reference Numbers

Parts in service assemblies have reference numbers in the form a:b. The a represents the reference number of the entire service assembly and the b represents a sequential number unique to each part within the service assembly.

For example, a wheel assembly might be identified by reference number 6, the tire by 6:1, the valve by 6:2, and the wheel by 6:3. When you order the assembly identified by reference number 6, you receive all parts identified by reference numbers 6:1, 6:2, and 6:3. However, you may also order any part individually. Reference numbers of this type appear in illustration and in parts lists.

Reference Numbers Indicating Quantity

In an illustration, if a reference number indicates more than one part, the reference number has the form nX y. The n represents the quantity of the part, the X is the multiplication symbol, and the y represents the reference number.

For example, in an illustration, the reference number 2X 37 means that two of the parts identified by reference number 37 are indicated.

List of Abbreviations

AR: as required

ASM: assembly

BBC: blade brake control

BHTF: button head thread forming

CARR: carriage

CCW: counter clockwise

CW: clockwise

DEG: degrees

DPA: Dual Point Adjustment

ECM: electronic control module

EXT: external

FH: flat head

GA: gauge

HD: heavy-duty

HF: hex flange

HH: hex head

HHF: hex head flange

HHFTF: hex head flange thread forming

HJ: hex jam

HLH: hex lag head

HOC: height-of-cut

HSBH: hex socket button head

HSFH: hex socket flat head

HSH: hex socket head

HWH: hex washer head

HWTF: hex washer head thread forming

HYD: hydraulic

LH: left hand

LP: Liquid Propane

NI: nylon insert

NPTF: national pipe thread fine

PFH: phillips flat head

PPH: phillips pan head

PPHTF: phillips pan head thread forming

PRH: phillips round head

PTH: phillips truss head

PTO: power-take-off

RH: right hand

ROPS: roll-over protection system

RRB: rear roller brush

SFH: slotted fillister head

SHH: slotted hex head

SHWH: slotted hex washer head

SPH: slotted pan head

SQH: square head

SRH: slotted round head

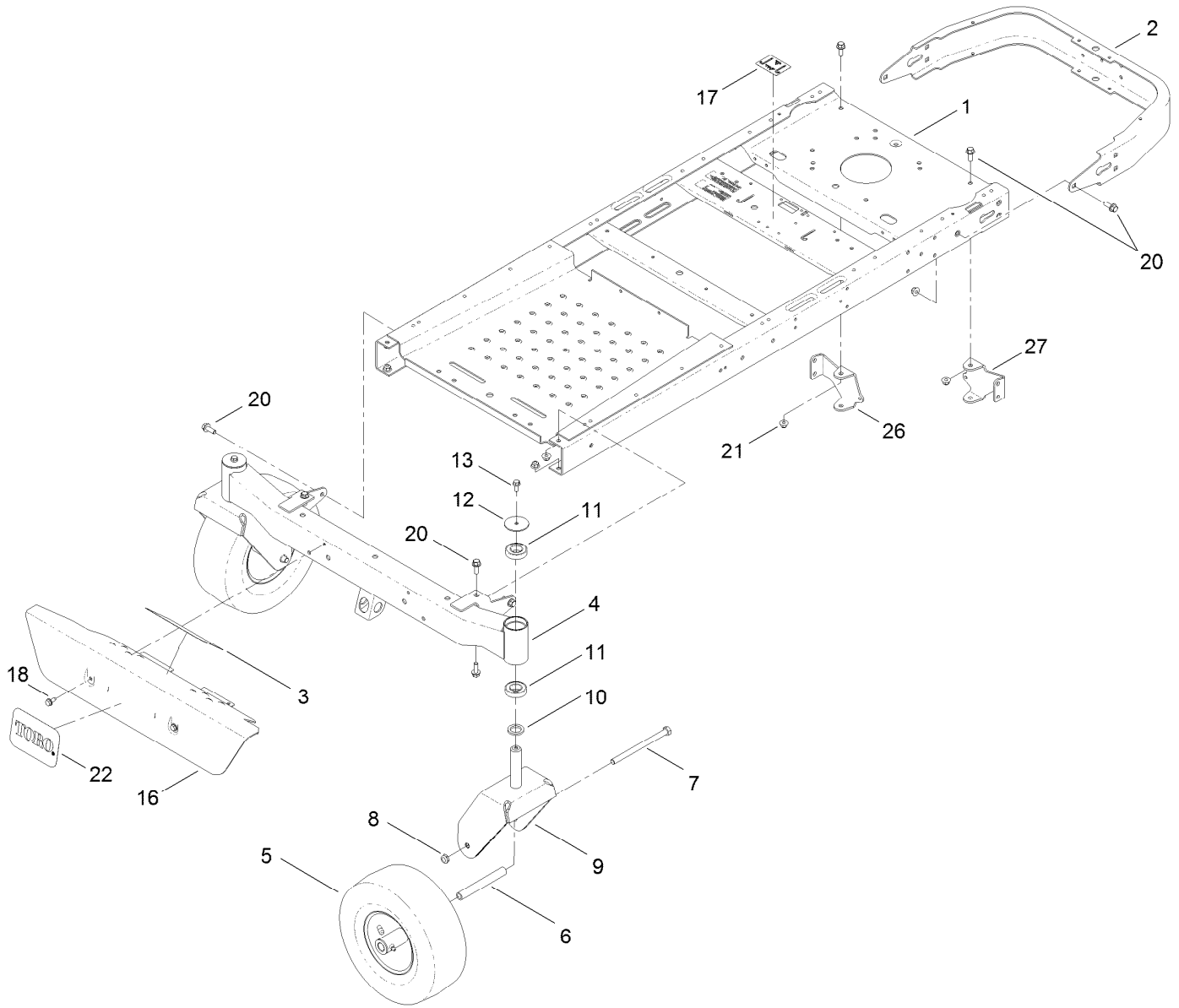
STD: standard

TAP: self tapping

TTH: torx truss head

Contents

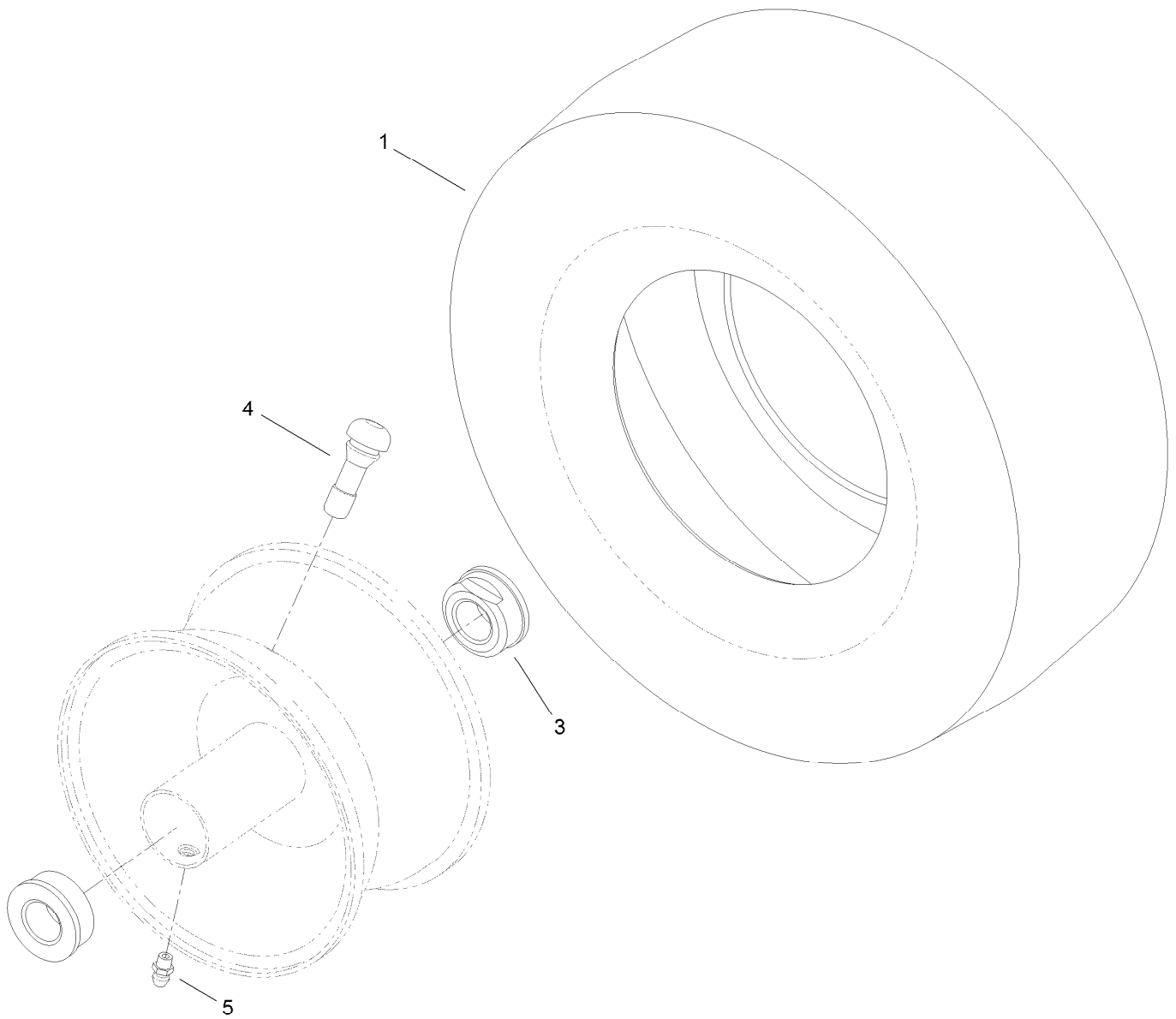
Frame, Front Axle and Caster Wheel Assembly	4
13 Inch Wheel and Tire Assembly	5
Deck Lift Assembly	6
Seat Assembly	7
Motion Control Assembly	8
Engine, Muffler and Clutch Assembly	10
Hydro Transaxle Drive and Rear Wheel Assembly	11
RH Hydro Transaxle Assembly No. 119-3351	12
LH Hydro Transaxle Assembly No. 119-3350	14
Body Styling and Fuel Tank Assembly	16
Fuel Delivery Assembly	17
Battery and Electrical Assembly	18
50 Inch Deck Assembly	19
50 Inch Deck Decal Assembly No. 119-8841	20
50 Inch Deck Baffle Assembly	21
50 Inch Deck, Belt and Mulch Blade Assembly	22
Attachments and Accessories	23



Frame, Front Axle and Caster Wheel Assembly

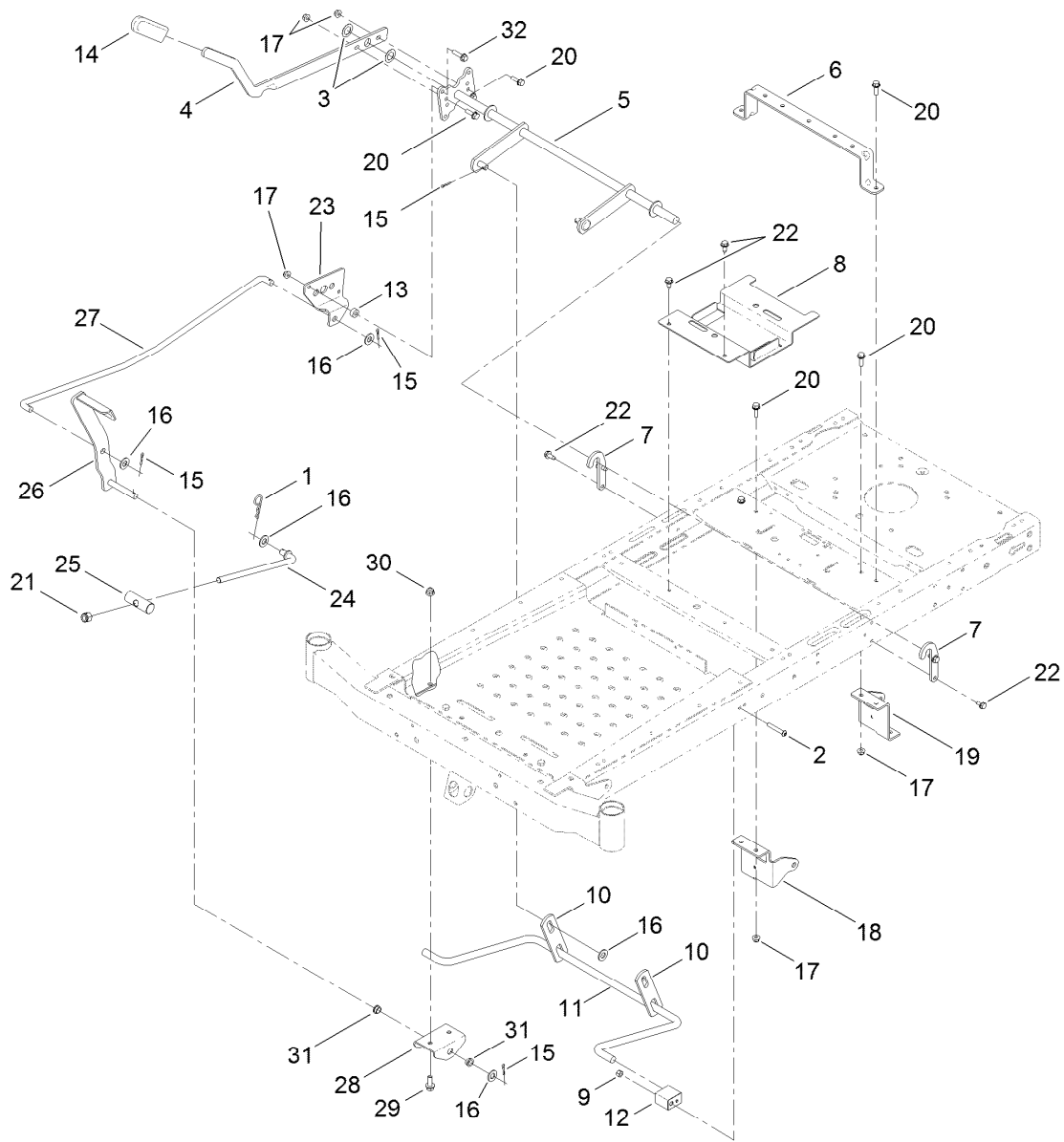
Ref.	Part Number	Qty.	Description
1	117-7403-01	1	Frame ASM
2	117-7415-01	1	Bumper-Rear (Wide)
3	120-2239	1	Decal-Danger
4	120-5513-01	1	Axle-Front, Wide
5	119-3473	2	13 Inch Wheel And Tire ASM
6	119-3475	2	Spanner
7	325-37	2	Screw-HH
8	3296-45	2	Nut-Lock, NI
9	119-3349-01	2	Fork-Caster, Wide
10	117-7394	2	Washer-Thrust

Ref.	Part Number	Qty.	Description
11	109-3678	4	Bearing-Ball
12	119-8915	2	Washer
13	3234-47	2	Screw-HHF
16	117-7424-03	1	Footrest
17	120-5465	1	Decal-Transport
18	32144-70	2	Screw-HWHTF
20	3234-42	14	Screw-HHF
21	104-8301	14	Nut-Flange, NI
22	99-4693	1	Decal
26	117-7459-01	1	Mount-Hydro, Rear (RH)
27	117-7460-01	1	Mount-Hydro, Rear (LH)



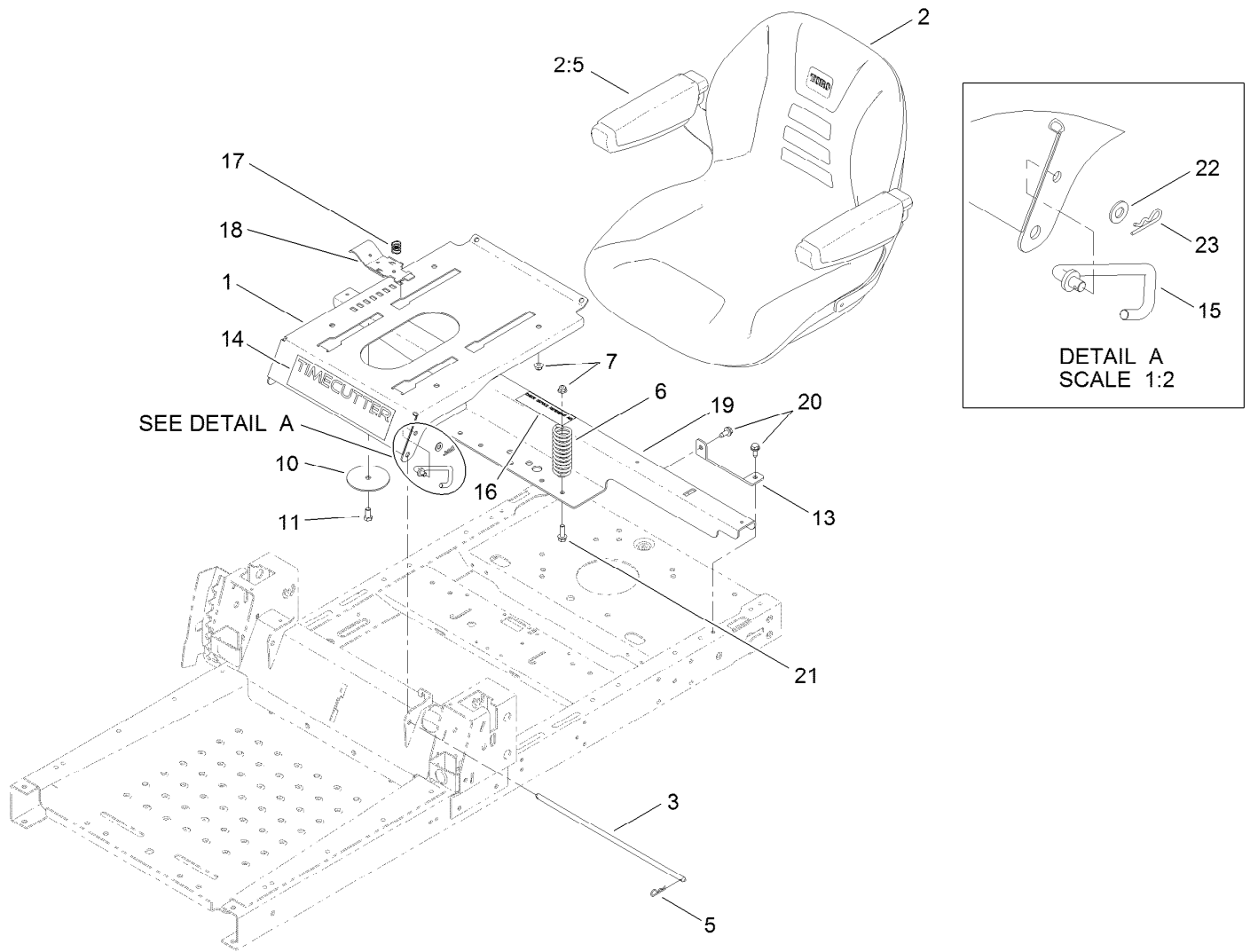
13 Inch Wheel and Tire Assembly

<i>Ref.</i>	<i>Part Number</i>	<i>Qty.</i>	<i>Description</i>
1	119-3471	1	Tire-13 Inch
3	114-1640	2	Bushing-Flange
4	232-27	1	Stem-Valve
5	302-5	1	Fitting-Grease



Deck Lift Assembly

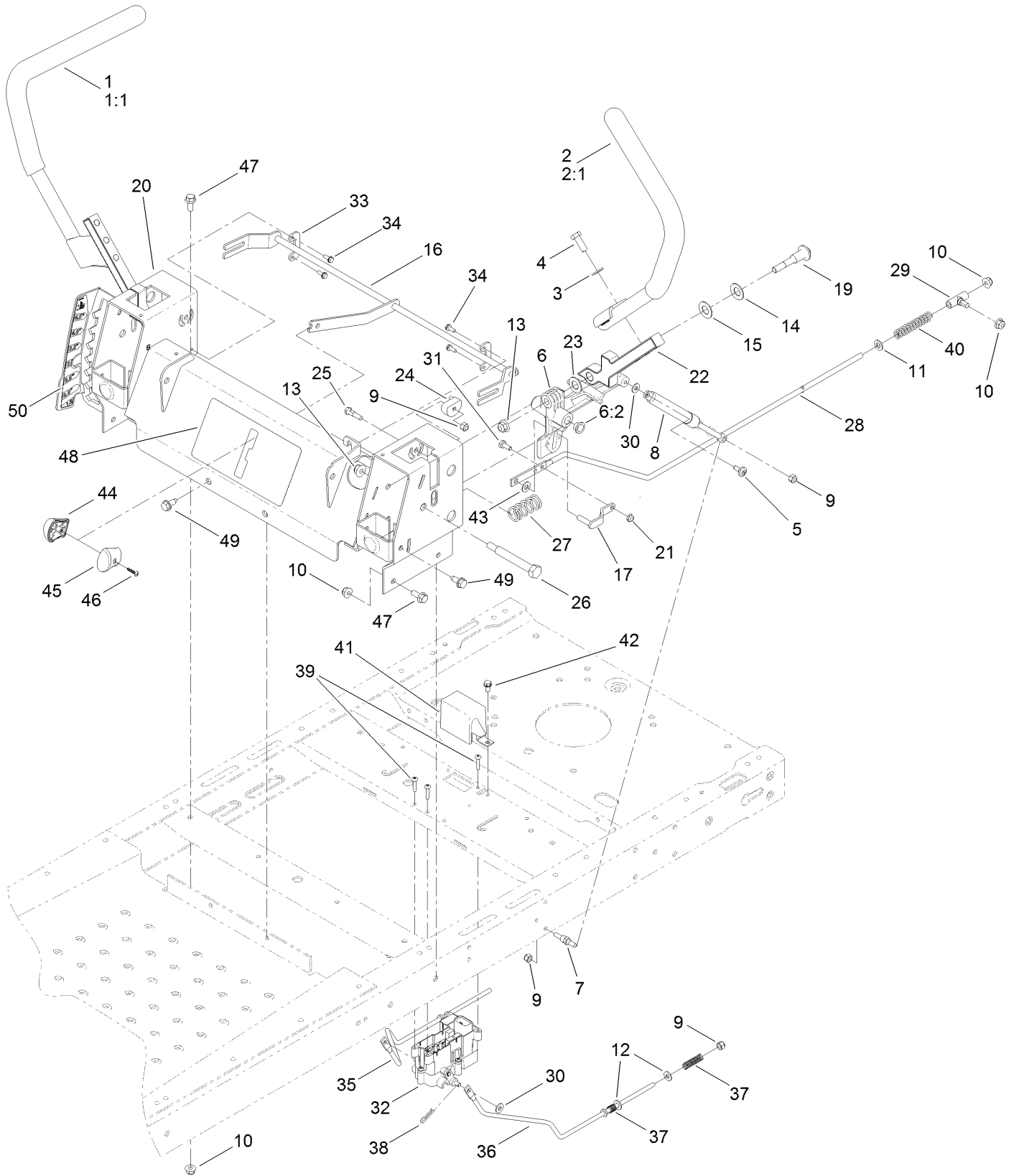
Ref.	Part Number	Qty.	Description	Ref.	Part Number	Qty.	Description
1	1-806005	1	Pin-Hair	17	104-8300	6	Nut-Flange, NI
2	120-5499	2	Screw-HSBH	18	119-8861-01	1	Mount-Hydro, Front (RH)
3	3-6498	2	Washer-Thrust	19	119-8862-01	1	Mount-Hydro, Front (LH)
4	119-3427-03	1	Lever-Lift	20	3234-29	4	Screw-HHF
5	119-3424-03	1	Deck Lift ASM	21	3296-19	1	Nut-Hex
6	117-7337-03	1	Brace-Seat, Rear	22	32144-70	6	Screw-HWHTF
7	119-8875	2	Bracket-Lift	23	120-2275	1	Plate-Footlift
8	119-3406-03	1	Bracket-Battery	24	104-8047	1	Rod-Trunion
9	3296-29	2	Nut-Lock, NI	25	119-8810	1	Pin-Pivot
10	108-7840	2	Link-Lift	26	120-2276-03	1	Pedal ASM
11	119-3347	1	Arm-Lift, Rear	27	120-2242	1	Rod-Footlift
12	108-7845	2	Block-Pivot	28	120-2294-03	1	Bracket-Footlift
13	112-3961	2	Spacer	29	3234-42	2	Screw-HHF
14	1-633268	1	Grip-Lever	30	104-8301	2	Nut-Flange, NI
15	3272-10	5	Pin-Cotter	31	256-156	2	Bushing-Flange
16	3256-26	6	Washer-Flat	32	3234-36	2	Screw-HHF



Seat Assembly

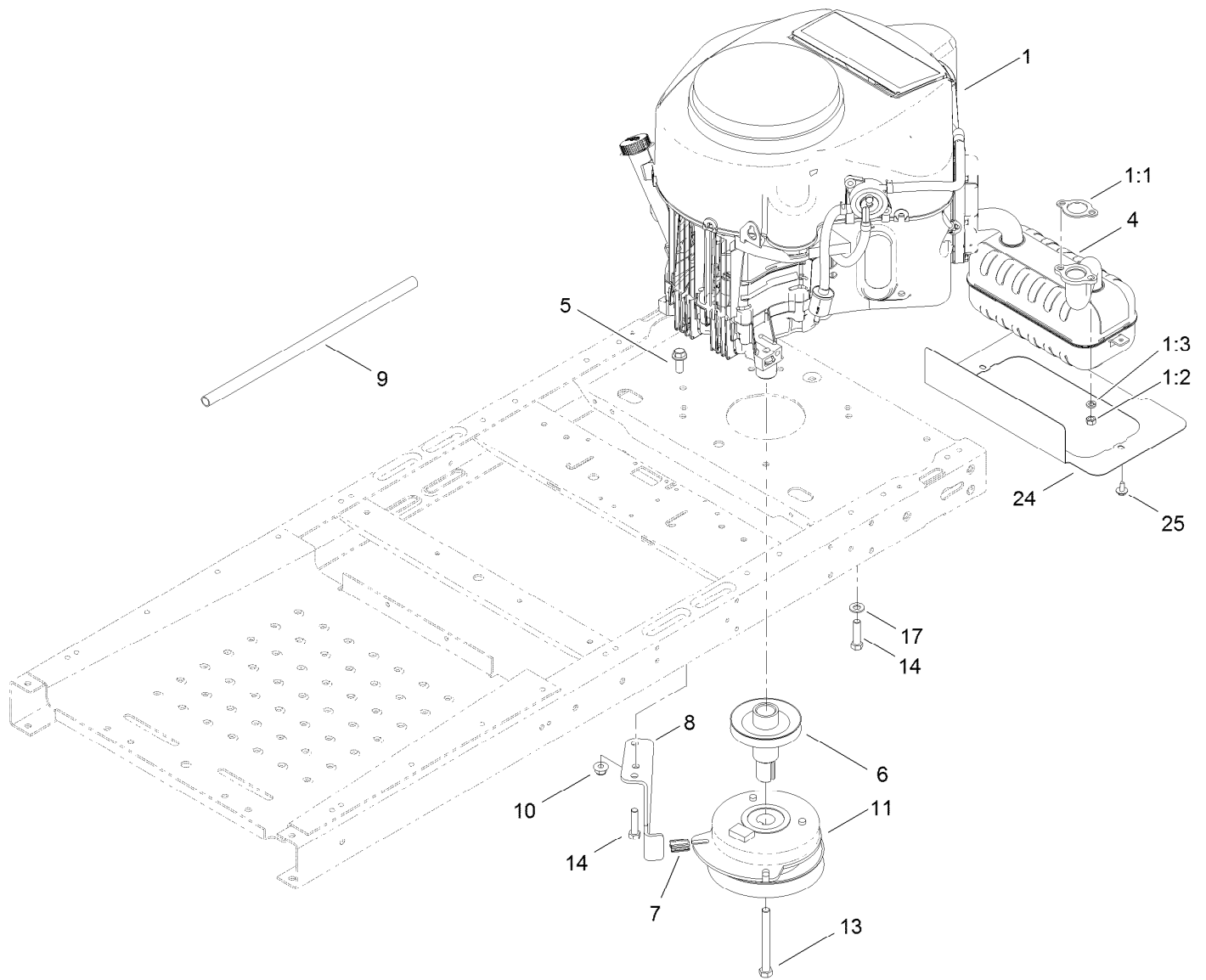
<i>Ref.</i>	<i>Part Number</i>	<i>Qty.</i>	<i>Description</i>	<i>Ref.</i>	<i>Part Number</i>	<i>Qty.</i>	<i>Description</i>
1	119-3390-01	1	Pan-Seat	14	120-5452	1	Decal-Timecutter
2	115-5053	1	18 Inch Seat ASM	15	119-8972	1	Stop-Seat
2:5	119-3307	1	Armrest Kit	16	106-8717	1	Decal-Service
3	115-4966	1	Rod-Stop	17	115-9624	1	Spring-Compression
5	3290-250	2	Pin-Hair	18	115-9623	1	Latch-Seat
6	92-7054	3	Spring-Compression	19	119-3414-03	1	Support-Pod
7	104-8300	3	Nut-Flange, NI	20	32144-70	4	Screw-HWHTF
10	117-5307	1	Washer-Seat	21	3234-29	3	Screw-HHF
11	323-4	1	Screw-HH	22	3256-23	1	Washer-Flat
13	119-3431-03	2	Support-Tank, Rear	23	3290-307	1	Pin-Hair

Motion Control Assembly



Motion Control Assembly (continued)

<i>Ref.</i>	<i>Part Number</i>	<i>Qty.</i>	<i>Description</i>	<i>Ref.</i>	<i>Part Number</i>	<i>Qty.</i>	<i>Description</i>
1	119-3486	1	RH Handle ASM	25	119-3301	2	Bolt-Pivot, Eccentric
1:1	108-6187	1	Grip	26	115-5099	2	Bolt-Pivot
2	119-3485	1	LH Handle ASM	27	119-8876	2	Spring-Return
2:1	108-6187	1	Grip	28	117-5388	2	Rod-Hydro
3	3256-24	4	Washer-Flat	29	119-8842	2	Mount-Rod, Hydro
4	323-6	4	Screw-HH	30	119-8952	4	Washer
5	112-4004	2	Screw-Shoulder	31	321-3	2	Screw-HH
6	119-3470	2	Actuator Arm ASM	32	115-9660	1	Brake Control Module ASM
6:2	256-156	2	Bushing-Flange	33	117-5385	2	Retainer
7	110-6810	2	Stud-Damper	34	32144-1	4	Screw-Taptite
8	103-2913	2	Damper-Control, Motion	35	117-5384	1	Rod-Brake, RH
9	3296-42	8	Nut-Lock, NI	36	117-1278	1	Rod-Brake, LH
10	104-8300	10	Nut-Flange, NI	37	117-1169	4	Spring-Compression
11	3256-23	2	Washer-Flat	38	3290-307	2	Pin-Hair
12	3256-22	4	Washer-Flat	39	32144-36	4	Screw-PPH
13	104-8301	4	Nut-Flange, NI	40	1-603807	2	Spring-Return, Neutral
14	119-8925	2	Washer-Belleville	41	119-8859	1	Cover-Brake
15	117-1240	2	Washer	42	32144-4	1	Screw-HWH
16	119-3300	1	Control-Speed	43	93-6079	2	Spacer-Nylon
17	119-3303	2	Pin-Rod, Hydro	44	119-8935	1	RH Knob ASM
19	117-1198	2	Bolt-Pivot	45	119-8936	1	LH Knob ASM
20	119-3387-03	1	Box-Control	46	94-4496	1	Screw-PPH
21	3296-56	2	Nut-Lock, NI	47	3234-47	6	Screw-HHF
22	115-5098-05	2	Lever-Control	48	120-5468	1	Decal-Speed Control
23	120-2273	2	Washer-Nylon	49	32144-70	4	Screw-HWHTF
24	115-9604	2	Eccentric	50	120-5470	1	Decal-HOC

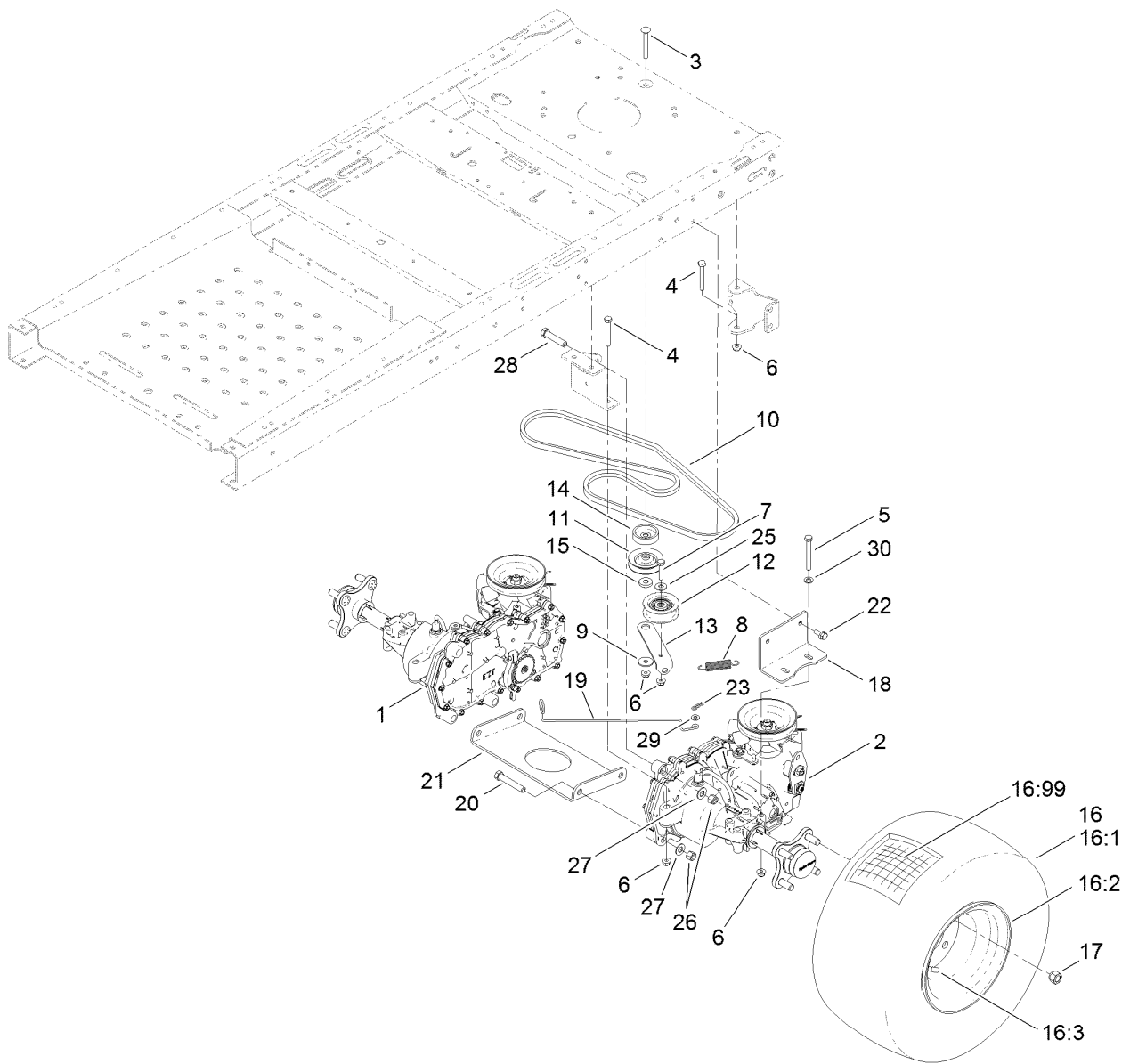


Engine, Muffler and Clutch Assembly

Ref.	Part Number	Qty.	Description	Ref.	Part Number	Qty.	Description
1		1	Engine-Kawasaki, Fr691V-As50-R ●■	8	119-8885	1	Stop-Clutch
1:1	1-653313	2	Gasket-Exhaust	9	106-7022	1	Tube-Drain, Oil
1:2	114-3549	4	Nut	10	104-8301	1	Nut-Flange, NI
1:3	114-3550	4	Washer-Lock, Spring	11	110-6766	1	Clutch-Electric, PTO
4	117-7256	1	Muffler-Kawasaki	13	3212-17	1	Screw-HH
5	3234-42	1	Screw-HHF	14	323-50	4	Bolt-HH
6	119-3318	1	Pulley-Engine	17	3256-24	3	Washer-Flat
7	120-2217	1	Isolator-Clutch	24	119-8976-03	1	Shield-Heat
				25	46-8560	2	Screw-HHFTF

● Not serviced separately

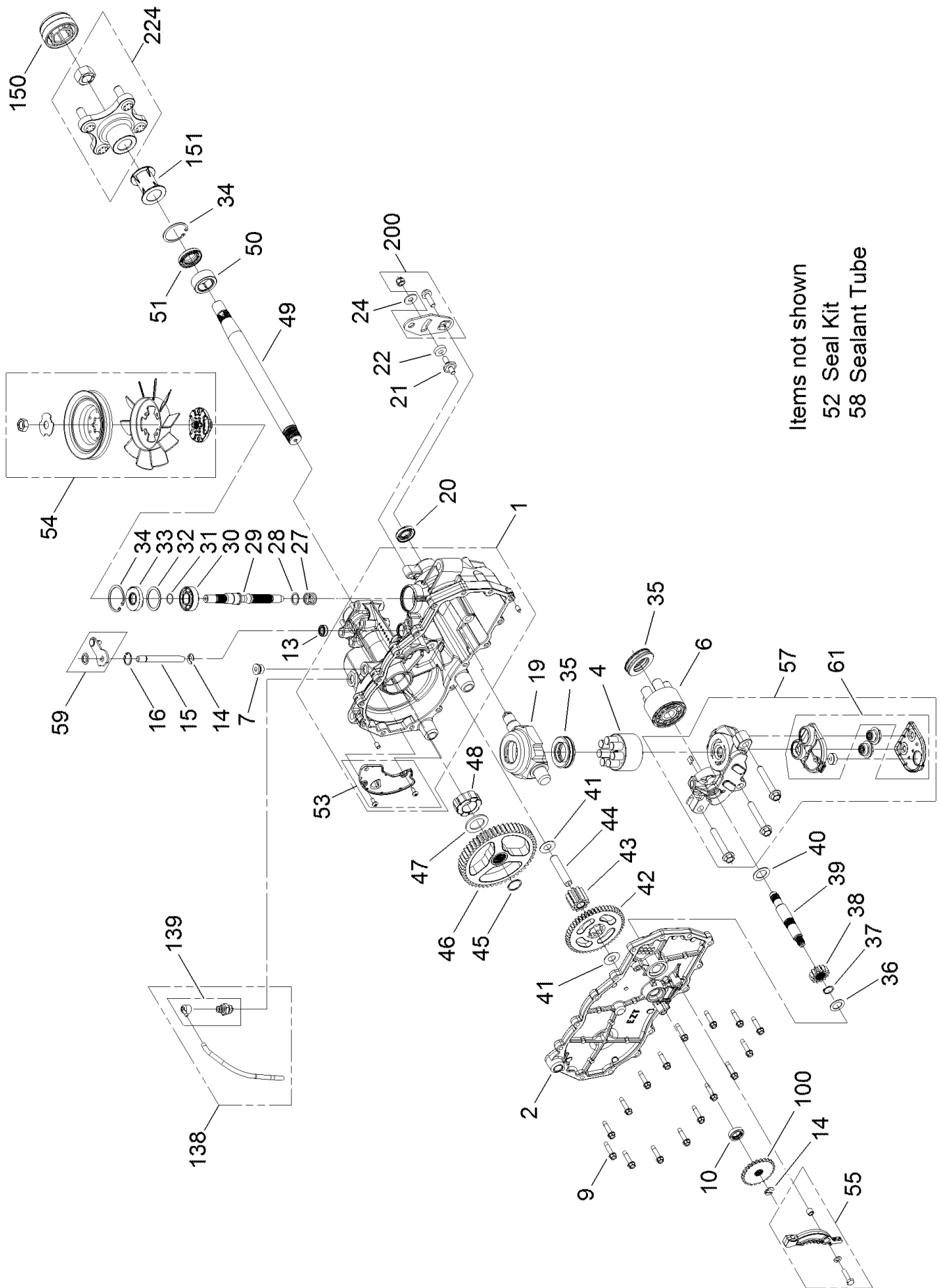
■ Obtain parts from www.kawpowerepc.com



Hydro Transaxle Drive and Rear Wheel Assembly

Ref.	Part Number	Qty.	Description	Ref.	Part Number	Qty.	Description
1	119-3351	1	Transaxle-Hydro, RH	16:2	217-60	1	Rim
2	119-3350	1	Transaxle-Hydro, LH	16:3	232-27	1	Stem-Valve
3	3230-8	1	Screw-CARR	16:99	232-37	1	Tube
4	322-11	4	Screw-HH	17	242-50	8	Nut-Lug
5	322-13	4	Screw-HH	18	117-7264-03	2	Mount-Hydro
6	104-8300	14	Nut-Flange, NI	19	119-3464	2	Rod-Bypass
7	322-7	1	Screw-HH	20	324-10	4	Screw-HH
8	104-6415	1	Spring-Return, Pedal	21	119-3342-03	1	Cross Plate-Hydro
9	5-4460	1	Washer-Pivot	22	3234-29	4	Screw-HHF
10	119-3321	1	V-Belt	23	3290-307	2	Pin-Hair
11	119-8822	1	Pulley-Idler	25	3256-3	1	Washer-Flat
12	106-2176	1	Pulley-Idler	26	3296-48	6	Nut-Lock, NI
13	119-3326	1	Arm-Idler	27	3256-25	6	Washer-Flat
14	119-3353	1	Spacer	28	324-8	2	Screw-HH
15	119-3327	1	Spacer-Arm, Idler	29	3256-22	2	Washer-Flat
16	119-8908	2	Wheel And Tire ASM	30	3256-23	4	Washer-Flat
16:1	119-8909	1	Tire				

RH Hydro Transaxle Assembly No. 119-3351



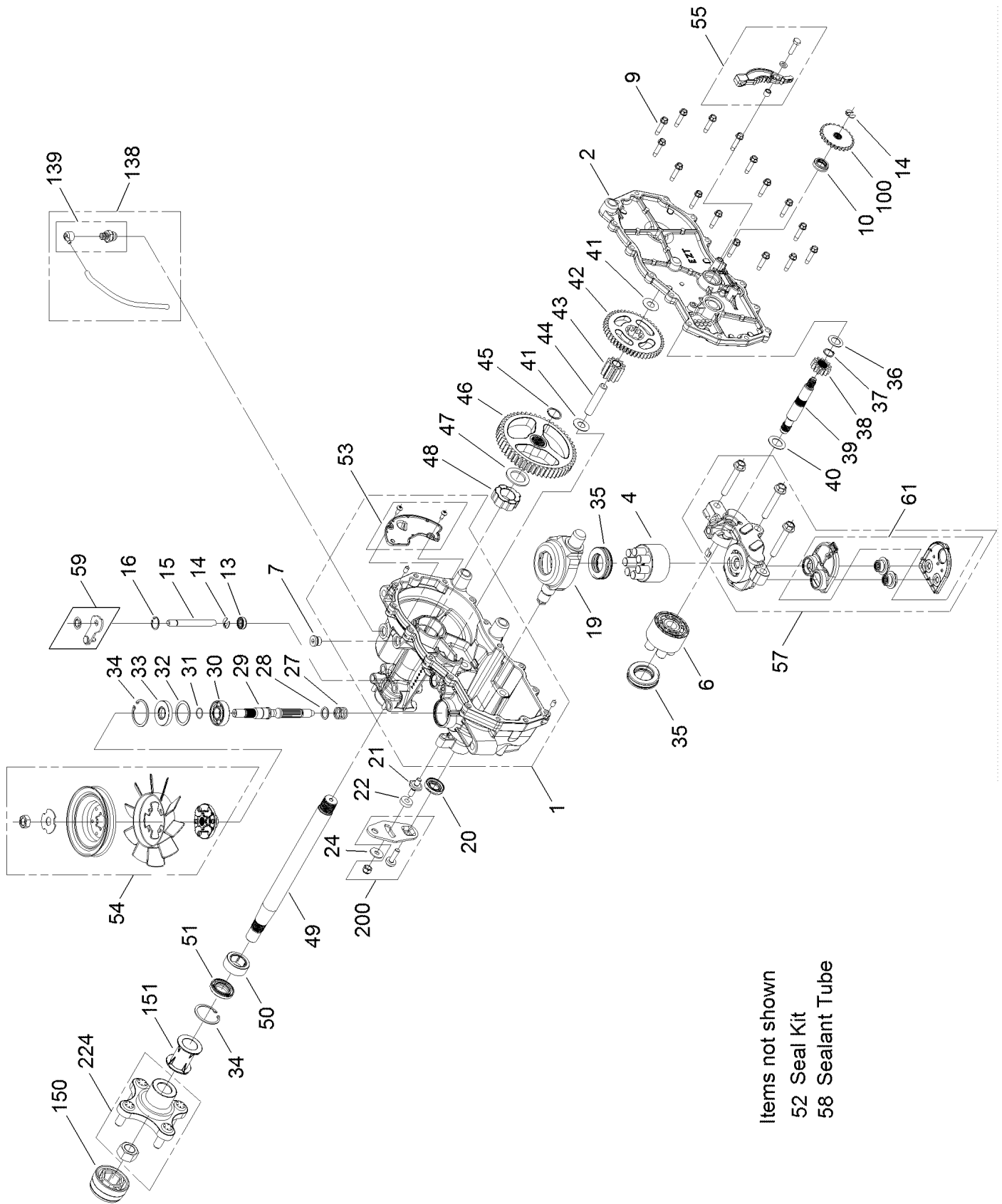
Items not shown
 52 Seal Kit
 58 Sealant Tube

RH Hydro Transaxle Assembly No. 119-3351 (continued)

<i>Ref.</i>	<i>Part Number</i>	<i>Qty.</i>	<i>Description</i>	<i>Ref.</i>	<i>Part Number</i>	<i>Qty.</i>	<i>Description</i>
1	106-8674	1	Main Housing ASM	39	106-8683	1	Shaft-Motor
2	106-8675	1	Side ASM	40	104-5360	1	Washer-Shaft, Motor
4	110-8561	1	Pump Block ASM	41	119-5541	2	Washer
6	103-2666	1	Cylinder Block Kit	42	104-5317	1	Gear
7	104-2189	1	Plug-Thread, Straight	43	104-5318	1	Gear-Jackshaft, 10T
9	104-5305	16	Screw-HHF	44	104-5329	1	Pin-Jackshaft
10	104-5347	1	Seal-Oil	45	112-9854	1	Ring-Spiral, Retaining
13	106-8676	1	Seal-Lip	46	112-9855	1	Gear-52T, Bull
14	106-8677	1	Ring-Retaining, EXT	47	112-9856	1	Washer
15	106-8678	1	Rod-Bypass	48	112-9857	1	Bearing-Sleeve
16	106-8679	1	Ring-Retaining, Int	49	120-7104	1	Shaft-Axle
19	104-5304	1	Swashplate-Trunnion	50	112-9859	1	Bushing-Axle
20	104-5313	1	Seal-Lip	51	112-9860	1	Seal-Lip
21	104-2116	1	Stud	52	106-8686	1	Seal Kit ●
22	112-9853	1	Puck-Friction	53	106-8687	1	Expansion Plate Kit
24	114-8491	1	Washer	54	120-7105	1	Fan Pulley Kit
27	120-5537	1	Spring-Compression	55	106-8688	1	Brake Arm Kit
28	120-5538	1	Washer	57	112-9862	1	Center Section Filter Kit
29	104-5306	1	Shaft-Input	58	104-2147	1	Sealant ●
30	104-5311	1	Bearing-Ball	59	107-2489	1	Bypass Arm Kit
31	104-5307	1	Ring-Retaining	61	114-1634	1	Filter Kit
32	104-5308	1	Spacer	100	106-8694	1	Disc-Brake, Cog
33	104-5310	1	Seal-Lip	138	112-9866	1	Breather Kit
34	104-5309	1	Ring-Retaining	139	114-1635	1	Breather ASM
35	94-6922	2	Bearing-Thrust	150	115-5057	1	Cover-Nut, Axle
36	104-5339	1	Washer-Flat	151	120-7109	1	Tube-Axle
37	104-5340	1	Ring-Retaining	200	117-5362	1	Arm Control Kit
38	104-5316	1	Gear-Pinion, 13T	224	120-7110	1	Hub ASM

● Not illustrated

LH Hydro Transaxle Assembly No. 119-3350

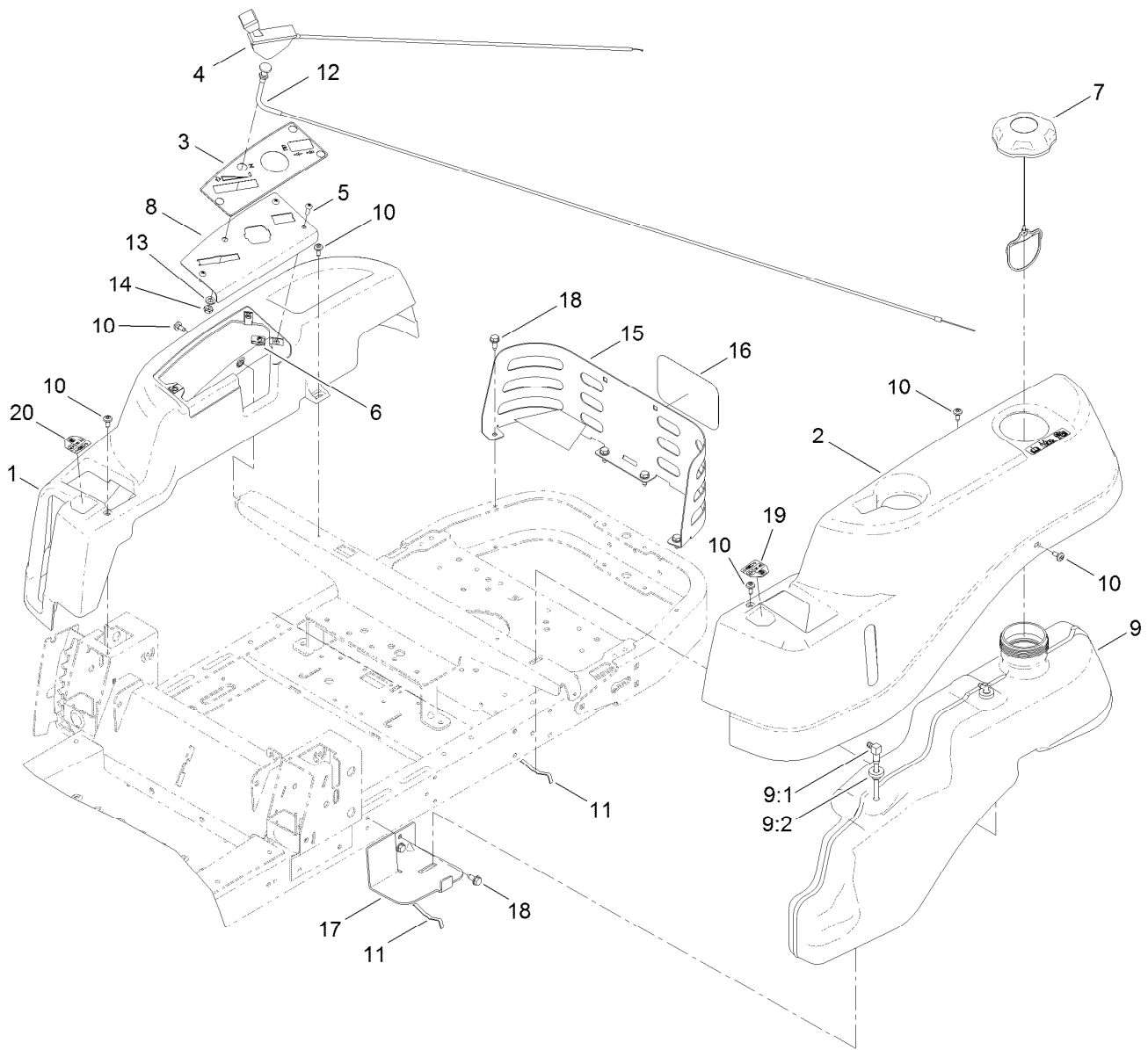


Items not shown
 52 Seal Kit
 58 Sealant Tube

LH Hydro Transaxle Assembly No. 119-3350 (continued)

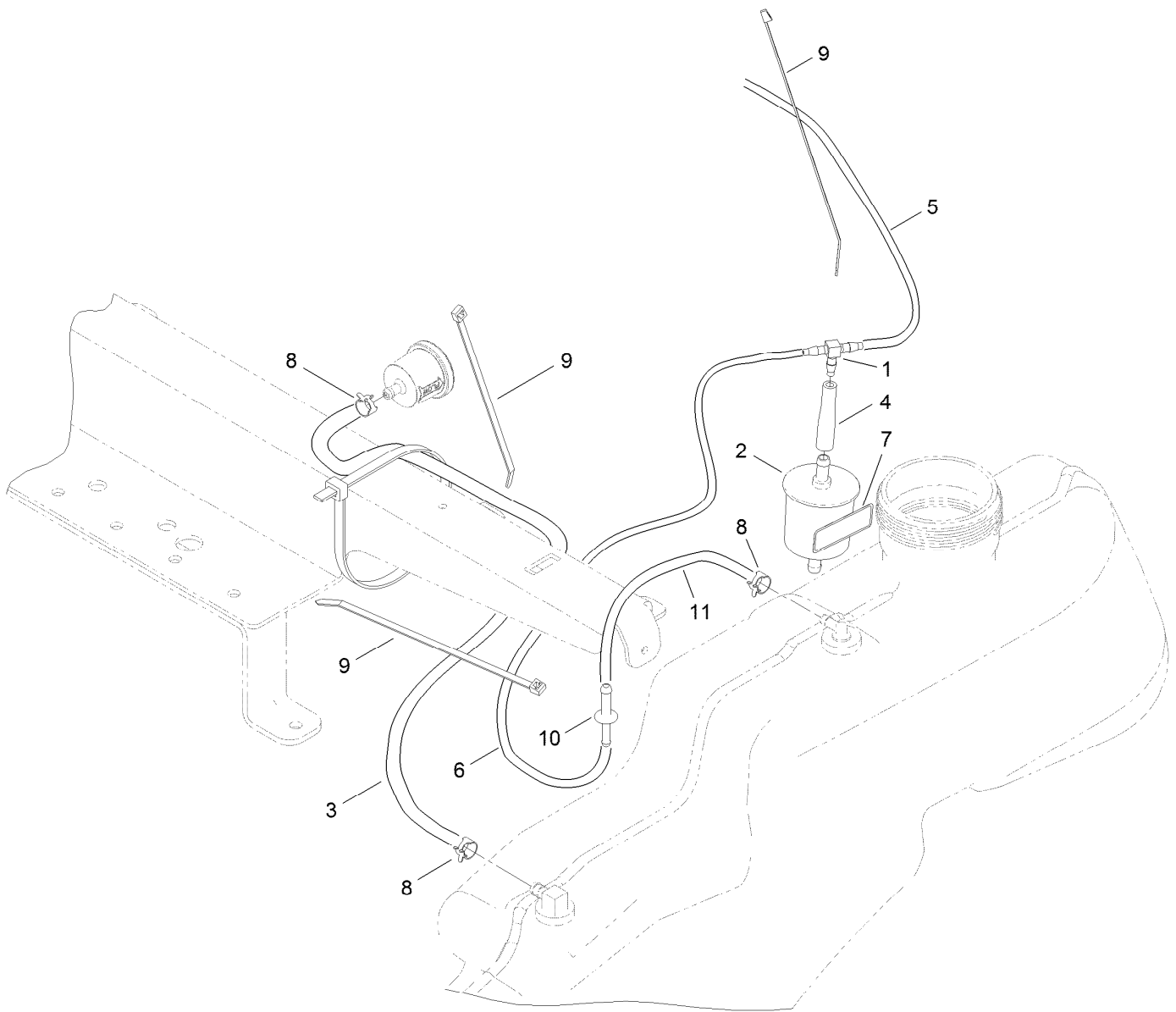
<i>Ref.</i>	<i>Part Number</i>	<i>Qty.</i>	<i>Description</i>	<i>Ref.</i>	<i>Part Number</i>	<i>Qty.</i>	<i>Description</i>
1	106-8695	1	Main Housing ASM	39	106-8683	1	Shaft-Motor
2	106-8696	1	Side ASM	40	104-5360	1	Washer-Shaft, Motor
4	110-8561	1	Pump Block ASM	41	119-5541	2	Washer
6	103-2666	1	Cylinder Block Kit	42	104-5317	1	Gear
7	104-2189	1	Plug-Thread, Straight	43	104-5318	1	Gear-Jackshaft, 10T
9	104-5305	16	Screw-HHF	44	104-5329	1	Pin-Jackshaft
10	104-5347	1	Seal-Oil	45	112-9854	1	Ring-Spiral, Retaining
13	106-8676	1	Seal-Lip	46	112-9855	1	Gear-52T, Bull
14	106-8677	2	Ring-Retaining, EXT	47	112-9856	1	Washer
15	106-8678	1	Rod-Bypass	48	112-9857	1	Bearing-Sleeve
16	106-8679	1	Ring-Retaining, Int	49	120-7104	1	Shaft-Axle
19	104-5304	1	Swashplate-Trunnion	50	112-9859	1	Bushing-Axle
20	104-5313	1	Seal-Lip	51	112-9860	1	Seal-Lip
21	104-2116	1	Stud	52	106-8686	1	Seal Kit ●
22	112-9853	1	Puck-Friction	53	106-8697	1	Expansion Plate Kit
24	114-8491	1	Washer	54	105-1928	1	Fan Pulley Kit
27	120-5537	1	Spring-Compression	55	106-8688	1	Brake Arm Kit
28	120-5538	1	Washer	57	112-9861	1	Center Section Filter Kit
29	104-5306	1	Shaft-Input	58	104-2147	1	Sealant ●
30	104-5311	1	Bearing-Ball	59	120-5549	1	Bypass Kit
31	104-5307	1	Ring-Retaining	61	114-1634	1	Filter Kit
32	104-5308	1	Spacer	100	106-8694	1	Disc-Brake, Cog
33	104-5310	1	Seal-Lip	138	112-9866	1	Breather Kit
34	104-5309	2	Ring-Retaining	139	114-1635	1	Breather ASM
35	94-6922	2	Bearing-Thrust	150	115-5057	1	Cover-Nut, Axle
36	104-5339	1	Washer-Flat	151	120-7109	1	Tube-Axle
37	104-5340	1	Ring-Retaining	200	117-5362	1	Arm Control Kit
38	104-5316	1	Gear-Pinion, 13T	224	120-7110	1	Hub ASM

● Not illustrated



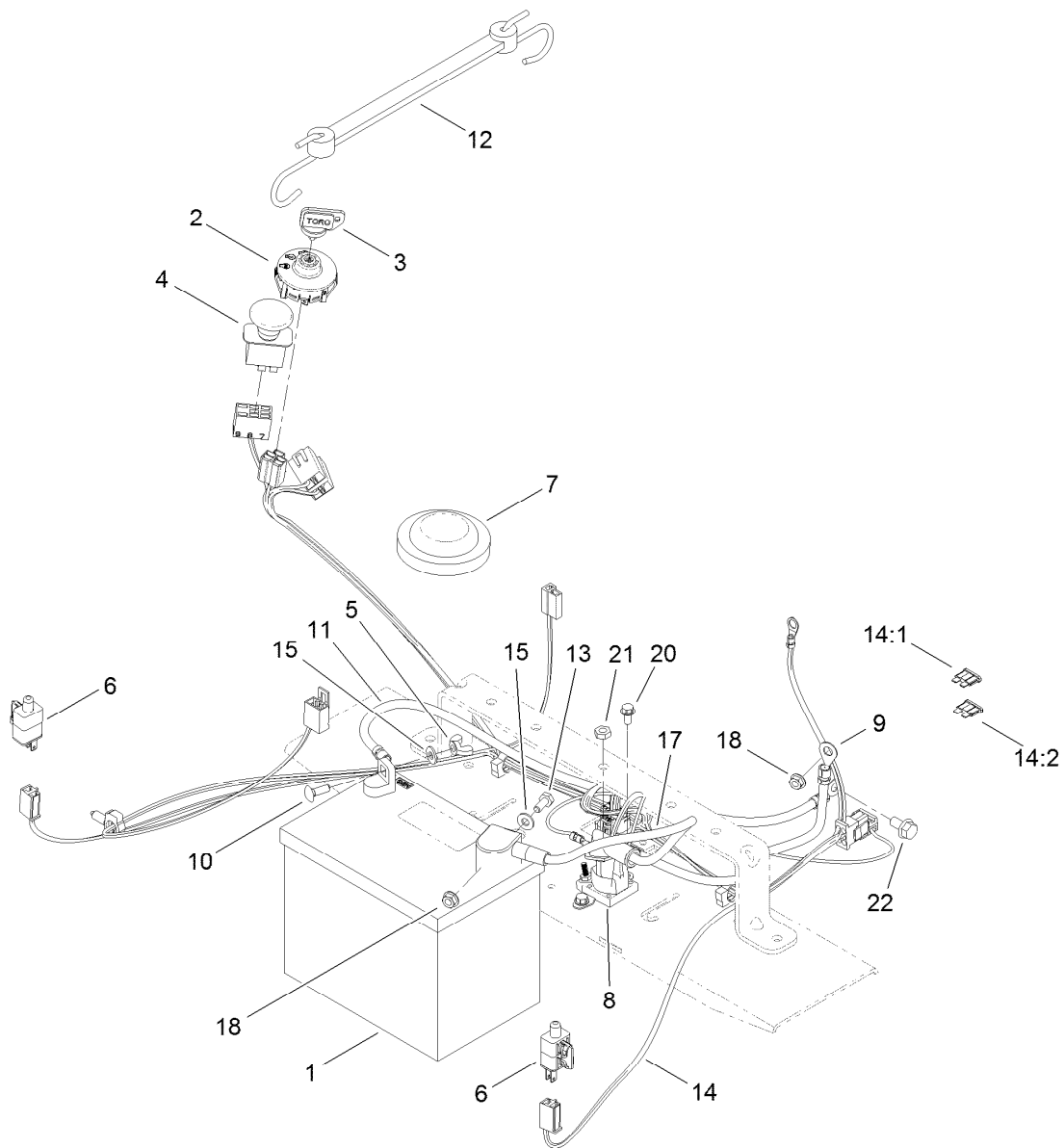
Body Styling and Fuel Tank Assembly

<i>Ref.</i>	<i>Part Number</i>	<i>Qty.</i>	<i>Description</i>	<i>Ref.</i>	<i>Part Number</i>	<i>Qty.</i>	<i>Description</i>
1	119-3338	1	Pod-RH	10	112-4004	6	Screw-Shoulder
2	119-3337	1	Pod-LH	11	609830	2	Spring
3	119-8872	1	Decal-Panel, Control	12	112-9753	1	Cable-Choke
4	112-9752	1	Cable-Throttle	13	3253-21	1	Washer-Lock
5	3258-166	3	Screw-PRH	14	3220-3	1	Nut-HJ
6	107069	3	Clip	15	119-3304-03	1	Guard-Rear
7	120-5461	1	Cap-Fuel, Ratcheting	16	99-4693	1	Decal
8	119-3377-03	1	Plate-Control	17	119-3395-03	1	Support-Tank, Front
9	119-3324	1	Fuel Tank ASM	18	32144-70	6	Screw-HWHTF
9:1	115-2564	1	Tube-Drop	19	119-8814	1	Decal-Control Lever, LH
9:2	46-6560	2	Bushing	20	119-8815	1	Decal-Control Lever, RH



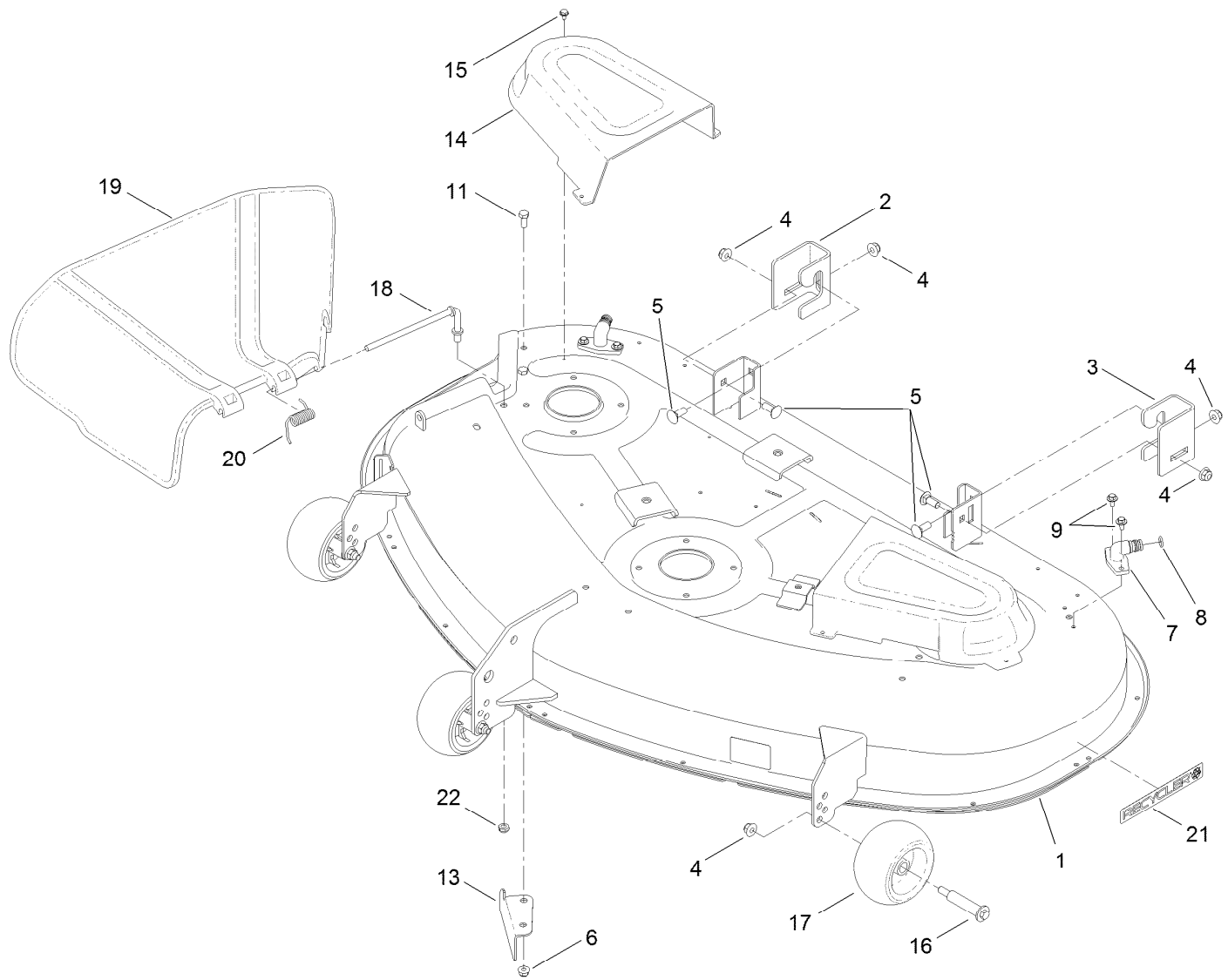
Fuel Delivery Assembly

<i>Ref.</i>	<i>Part Number</i>	<i>Qty.</i>	<i>Description</i>
1	120-2234	1	Fitting-Tee
2	120-2235	1	Filter-Air
3	110-5701	1	Hose-Fuel
4	120-2272	1	Hose-Fuel, Molded
5	119-8150	1	Hose-Fuel
6	119-8150	1	Hose-Fuel
7	116-4769	1	Decal-Filter, Emissions
8	2412-98	3	Clamp
9	614249	3	Strap-Tie
10	117-5399	1	Adaptor-Orifice
11	110-1876	1	Hose-Fuel



Battery and Electrical Assembly

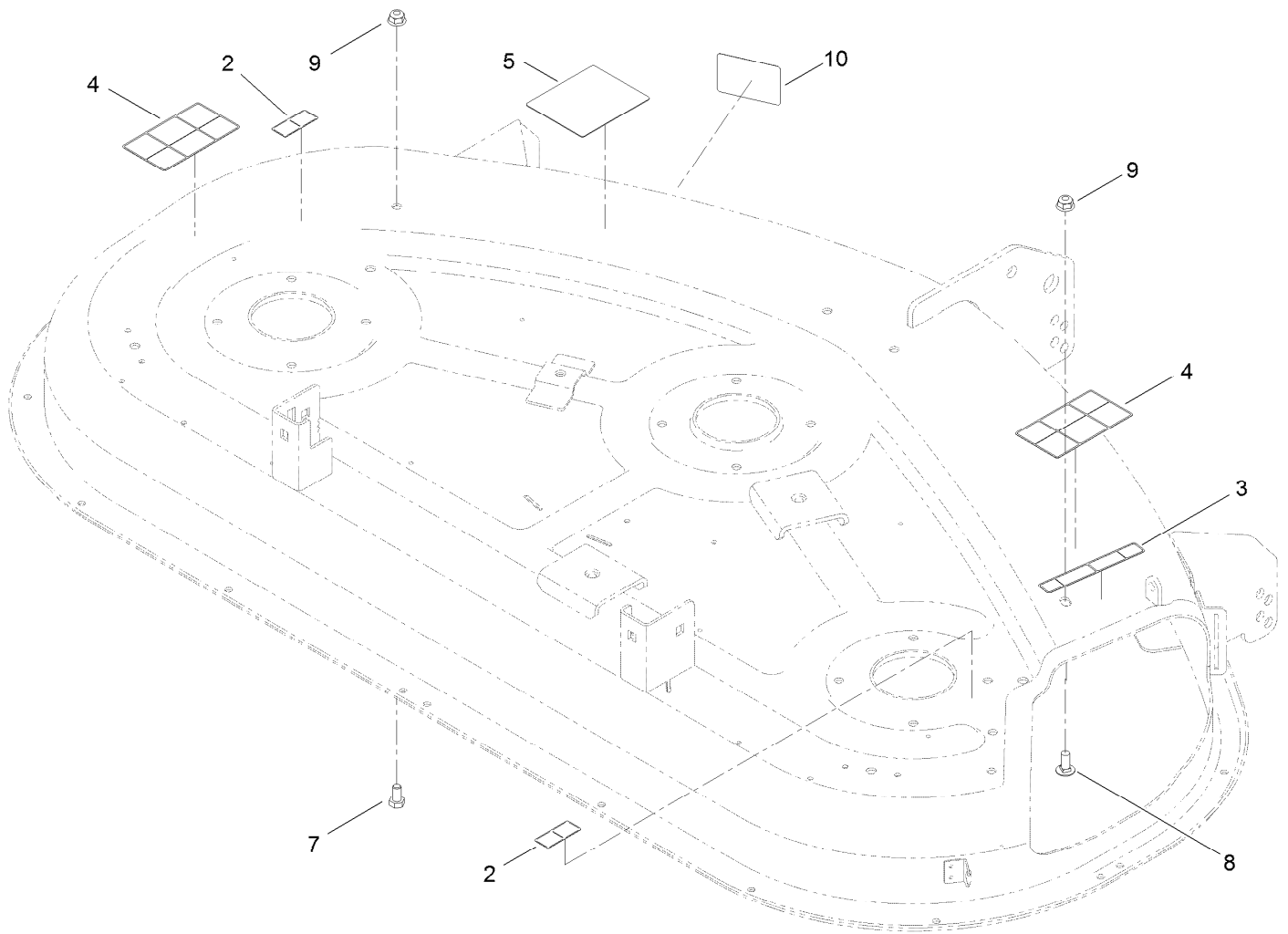
<i>Ref.</i>	<i>Part Number</i>	<i>Qty.</i>	<i>Description</i>	<i>Ref.</i>	<i>Part Number</i>	<i>Qty.</i>	<i>Description</i>
1	104-2493	1	Battery	12	104-2466	1	Holddown-Battery
2	117-2221	1	Switch-Ignition	13	321-3	1	Screw-HH
3	63-8360	1	Key-Ignition	14	119-3343	1	Harness-Wire
4	93-9998	1	Switch-PTO	14:1	109103	1	Fuse-Blade, 30 Amp
5	32103-22	1	Nut-Wing	14:2	109102	1	Fuse-Blade, 25 Amp
6	110-6765	2	Switch-Single Pole No	15	3256-22	2	Washer-Flat
7	100-3524	1	Switch-Seat	17	119-8897	1	Cable-Battery, Red
8	117-1197	1	Solenoid	18	32128-33	2	Nut-HF
9	119-8898	1	Cable-Battery, Red	20	32144-4	2	Screw-HWH
10	3229-1	1	Screw-CARR	21	3220-2	2	Nut-Jam
11	119-8899	1	Cable-Battery, Black	22	33104-016	1	Screw-HHF



50 Inch Deck Assembly

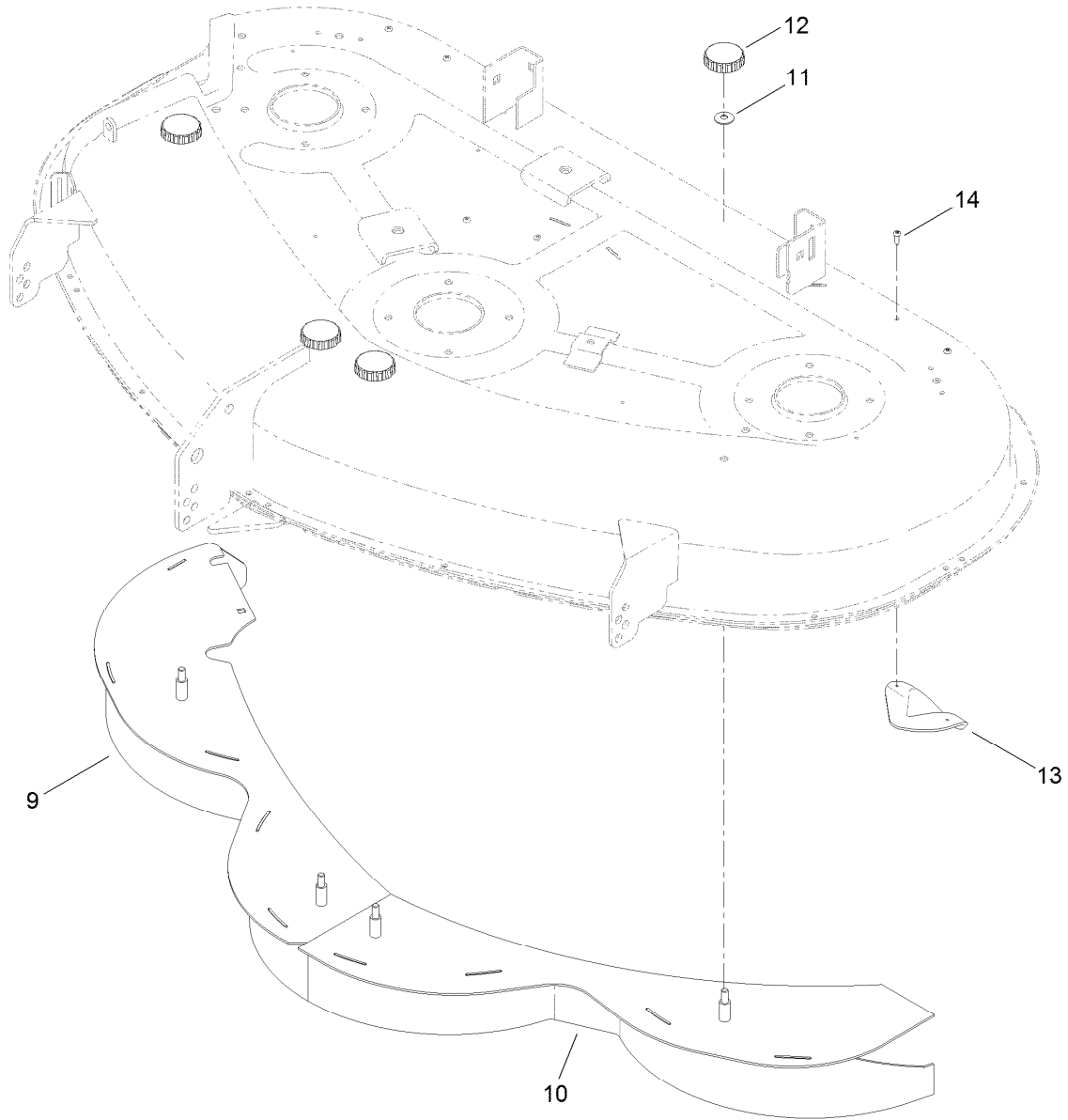
Ref.	Part Number	Qty.	Description
1	119-8841	1	50 Inch Deck And Decal ASM
2	119-3494	1	Bracket-Hanger, RH
3	119-3496	1	Bracket-Hanger, LH
4	104-8301	7	Nut-Flange, NI
5	3231-2	4	Screw-CARR
6	104-8300	2	Nut-Flange, NI
7	95-2747	2	Fitting-Washout
8	46-6290	2	O-Ring, Seal
9	46-8560	4	Screw-HHFTF
11	322-3	2	Screw-HH

Ref.	Part Number	Qty.	Description
13	112-3983-03	1	Baffle-Cutoff
14	108-7890	2	Cover-Belt
15	32104-76	6	Screw
16	112-3977	3	Bolt-Shoulder
17	1-603299	3	Roller-Scalp, Anti
18	112-3950	1	Rod-Pivot
19	108-7895	1	Deflector
20	110-6694	1	Spring-Torsion
21	119-2368	1	Decal-Recycler
22	3296-59	1	Nut-Lock, NI



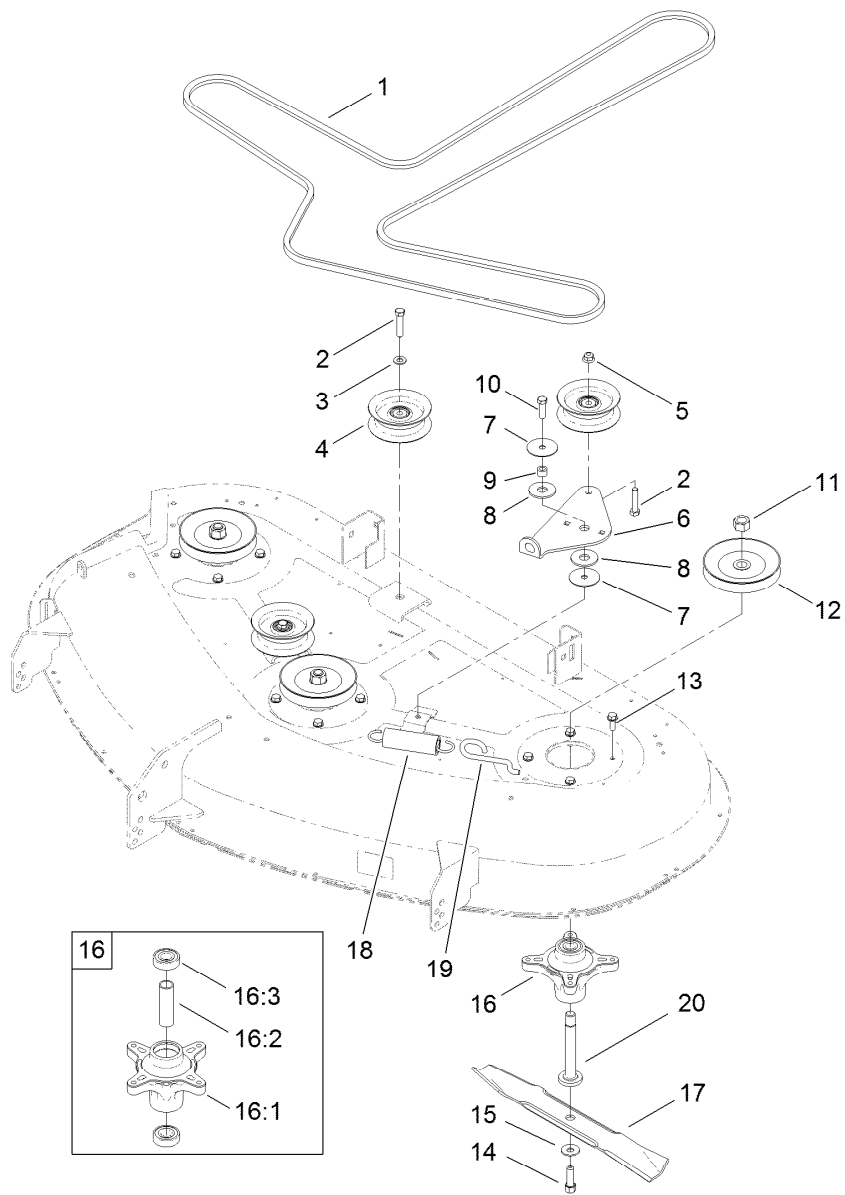
50 Inch Deck Decal Assembly No. 119-8841

<i>Ref.</i>	<i>Part Number</i>	<i>Qty.</i>	<i>Description</i>
2	114-1606	2	Decal-Danger, Pulley
3	93-7009	1	Decal-Danger, Deflector
4	110-6691	2	Decal-Danger
5	99-3943	1	Decal-Routing, Belt
7	322-2	1	Screw-HH
8	3230-23	1	Screw-CARR
9	104-8300	2	Nut-Flange, NI
10	112-9840	1	Decal-Scalp, Anti



50 Inch Deck Baffle Assembly

<i>Ref.</i>	<i>Part Number</i>	<i>Qty.</i>	<i>Description</i>
9	112-4010-03	1	RH Baffle ASM
10	112-4011-03	1	LH Baffle ASM
11	3290-456	4	Washer-Belleville
12	94-5583	4	Knob
13	76-2160	3	Plate-Kicker
14	32144-111	6	Screw-PPH



50 Inch Deck, Belt and Mulch Blade Assembly

<i>Ref.</i>	<i>Part Number</i>	<i>Qty.</i>	<i>Description</i>	<i>Ref.</i>	<i>Part Number</i>	<i>Qty.</i>	<i>Description</i>
1	119-8820	1	V-Belt	13	32144-41	12	Screw-Taptite
2	323-9	3	Screw-HH	14	26-0671	3	Screw-HH
3	3256-24	2	Washer-Flat	15	3290-465	3	Washer-Belleville
4	106-2175	3	Pulley-Idler, Flat	16	117-7439	3	Spindle ASM
5	104-8301	1	Nut-Flange, NI	16:1	117-7267	1	Spindle
6	114-8540	1	Arm-Idler	16:2	117-7269	1	Spacer
7	120-2229	2	Washer-Idler Pivot	16:3	100-1048	2	Bearing-Ball
8	114-0463	2	Washer-Friction, Composite	17	115-5062-03	3	Blade-Mulch, 17.50 Inch
9	115-4986	1	Spacer	18	1-603414	1	Spring-Extension
10	323-7	1	Screw-HH	19	112-3973	1	Hook-Return, Spring
11	3219-6	3	Nut-Hex	20	117-7268	3	Shaft-Spindle
12	110-6865	3	Pulley				

Attachments and Accessories

For 74387 TimeCutter ZS 5000 Riding Mower

Product Name	Model/Part
Deck Ring Kit	114-1608
Hourmeter Kit, 2011 and After TimeCutter Riding Mower	120-5498
Striping Kit, 42in and 50in Mowers for TimeCutter Z Riding Mower	120-7905
Sunshade Kit, 2011 and After Zero-Turn-Radius Riding Mower	79011
Hitch Kit, Zero-Turn-Radius Riding Mower.....	79014
Replacement Blade Kit, 2007 and After TimeCutter Riding Mower with 50in Mower.....	79016
Floor Mat Kit, 2011 and After Zero-Turn-Radius Riding Mower with 50in Cutting Unit.....	79021
Storage Cover	79317
50in Bagger, 2011 and After TimeCutter 5000 Series Riding Mower	79335
10 cu. ft. Poly Dump Cart	79991



Count on it.