



**Count on it.**

**Parts Catalog**

**TimeCutter® SS 4235 Riding  
Mower**

**Model No. 74624—Serial No. 311000001 and Up**

# Ordering Replacement Parts

To order replacement parts, please supply the part number, the quantity, and the description of each part desired.

## Understanding Reference Numbers

Each identified part in an illustration has a reference number. The reference number for a part also appears in the parts list, along with other information about the part.

This catalog uses two special reference number formats, one to indicate parts in a service assembly and another to indicate the quantity of a given part in an illustration.

## Service Assembly Reference Numbers

Parts in service assemblies have reference numbers in the form a:b. The a represents the reference number of the entire service assembly and the b represents a sequential number unique to each part within the service assembly.

For example, a wheel assembly might be identified by reference number 6, the tire by 6:1, the valve by 6:2, and the wheel by 6:3. When you order the assembly identified by reference number 6, you receive all parts identified by reference numbers 6:1, 6:2, and 6:3. However, you may also order any part individually. Reference numbers of this type appear in illustration and in parts lists.

## Reference Numbers Indicating Quantity

In an illustration, if a reference number indicates more than one part, the reference number has the form nX y. The n represents the quantity of the part, the X is the multiplication symbol, and the y represents the reference number.

For example, in an illustration, the reference number 2X 37 means that two of the parts identified by reference number 37 are indicated.

# List of Abbreviations

**AR:** as required

**ASM:** assembly

**BBC:** blade brake control

**BHTF:** button head thread forming

**CARR:** carriage

**CCW:** counter clockwise

**CW:** clockwise

**DEG:** degrees

**DPA:** Dual Point Adjustment

**ECM:** electronic control module

**EXT:** external

**FH:** flat head

**GA:** gauge

**HD:** heavy-duty

**HF:** hex flange

**HH:** hex head

**HHF:** hex head flange

**HHFTF:** hex head flange thread forming

**HJ:** hex jam

**HLH:** hex lag head

**HOC:** height-of-cut

**HSBH:** hex socket button head

**HSFH:** hex socket flat head

**HSH:** hex socket head

**HWH:** hex washer head

**HWTF:** hex washer head thread forming

**HYD:** hydraulic

**LH:** left hand

**LP:** Liquid Propane

**NI:** nylon insert

**NPTF:** national pipe thread fine

**PFH:** phillips flat head

**PPH:** phillips pan head

**PPHTF:** phillips pan head thread forming

**PRH:** phillips round head

**PTH:** phillips truss head

**PTO:** power-take-off

**RH:** right hand

**ROPS:** roll-over protection system

**RRB:** rear roller brush

**SFH:** slotted fillister head

**SHH:** slotted hex head

**SHWH:** slotted hex washer head

**SPH:** slotted pan head

**SQH:** square head

**SRH:** slotted round head

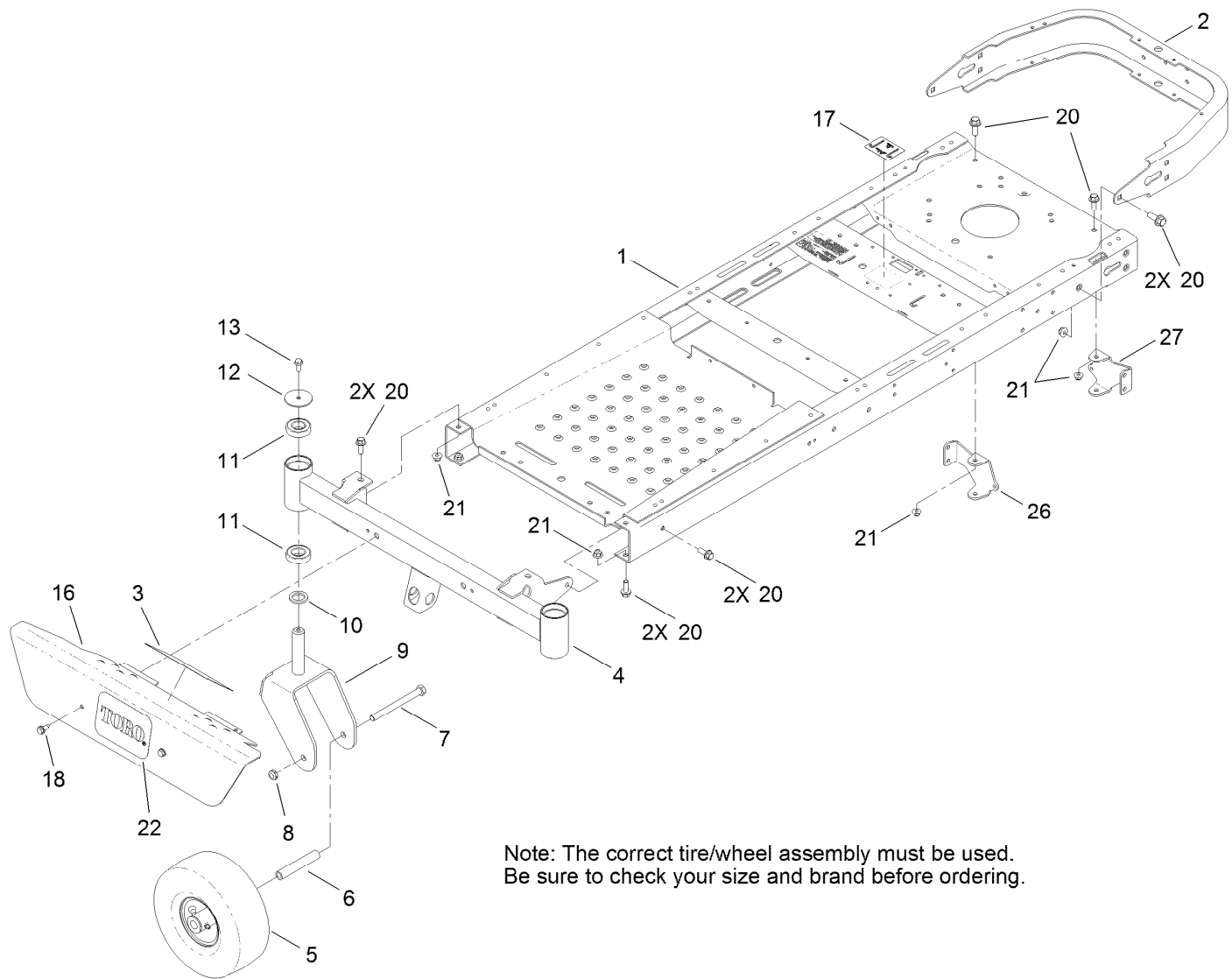
**STD:** standard

**TAP:** self tapping

**TTH:** torx truss head

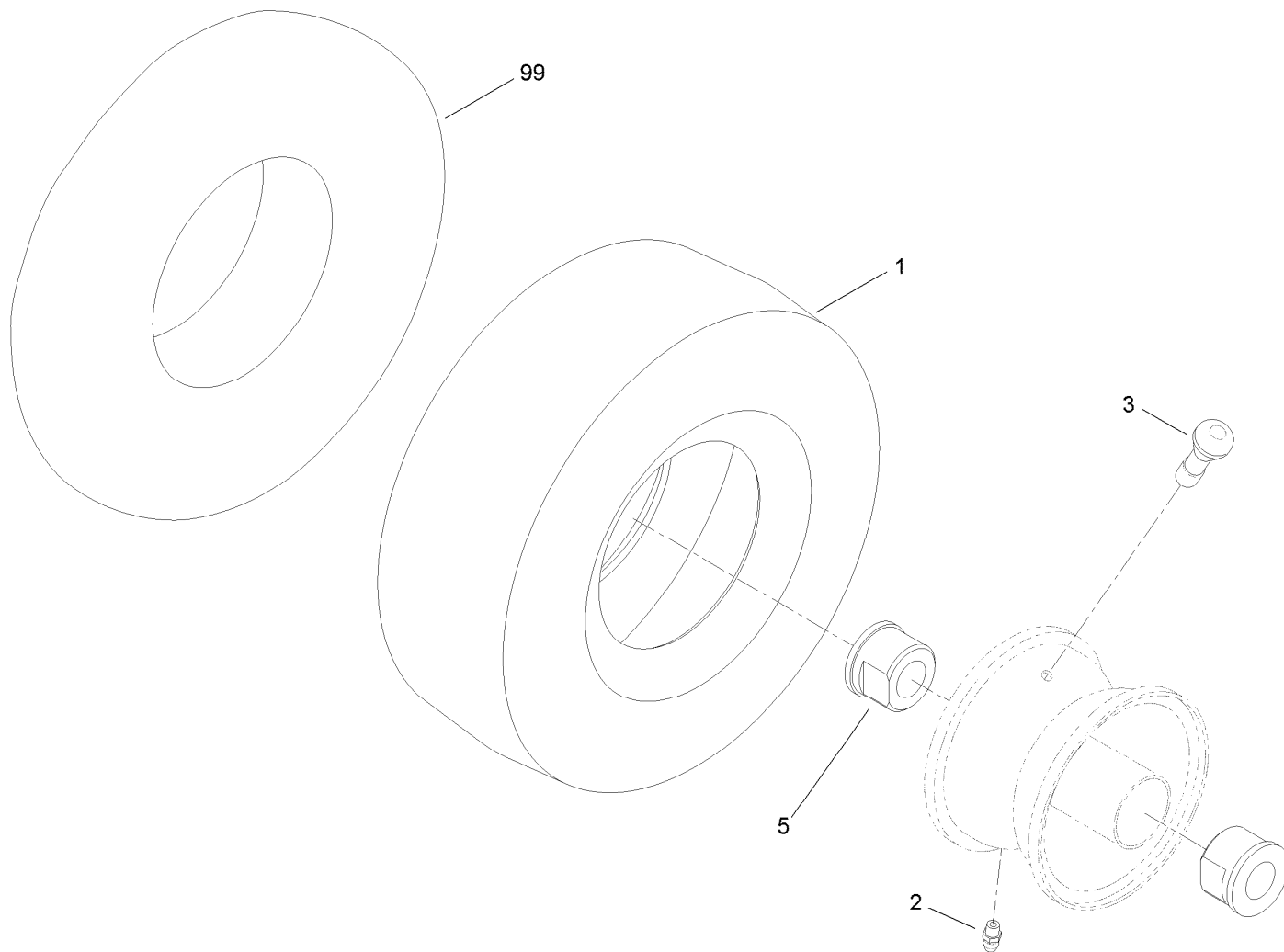
# Contents

Frame, Front Axle and Caster Wheel Assembly .....	4
Caster Wheel Assembly No. 110-6785.....	5
Caster Wheel Assembly No. 120-5515.....	6
Deck Lift Assembly.....	7
Motion Control Assembly .....	8
Seat Assembly .....	10
Hydro Transaxle Drive and Rear Wheel Assembly .....	11
Right Hand Hydro Transaxle Assembly No. 119-3331 .....	12
Left Hand Hydro Transaxle Assembly No. 119-3330 .....	14
Wheel and Tire Assembly No. 119-3465 .....	16
Wheel and Tire Assembly No. 120-5523 .....	17
Engine, Muffler and Clutch Assembly .....	18
Body Styling and Fuel Tank Assembly .....	19
Fuel Delivery Assembly.....	20
Battery and Electrical Assembly.....	21
42 Inch Deck Assembly.....	22
42 Inch Deck Assembly No. 119-8840 .....	23
42 Inch Deck Belt, Spindle and Blade Assembly .....	24
Attachments and Accessories .....	25



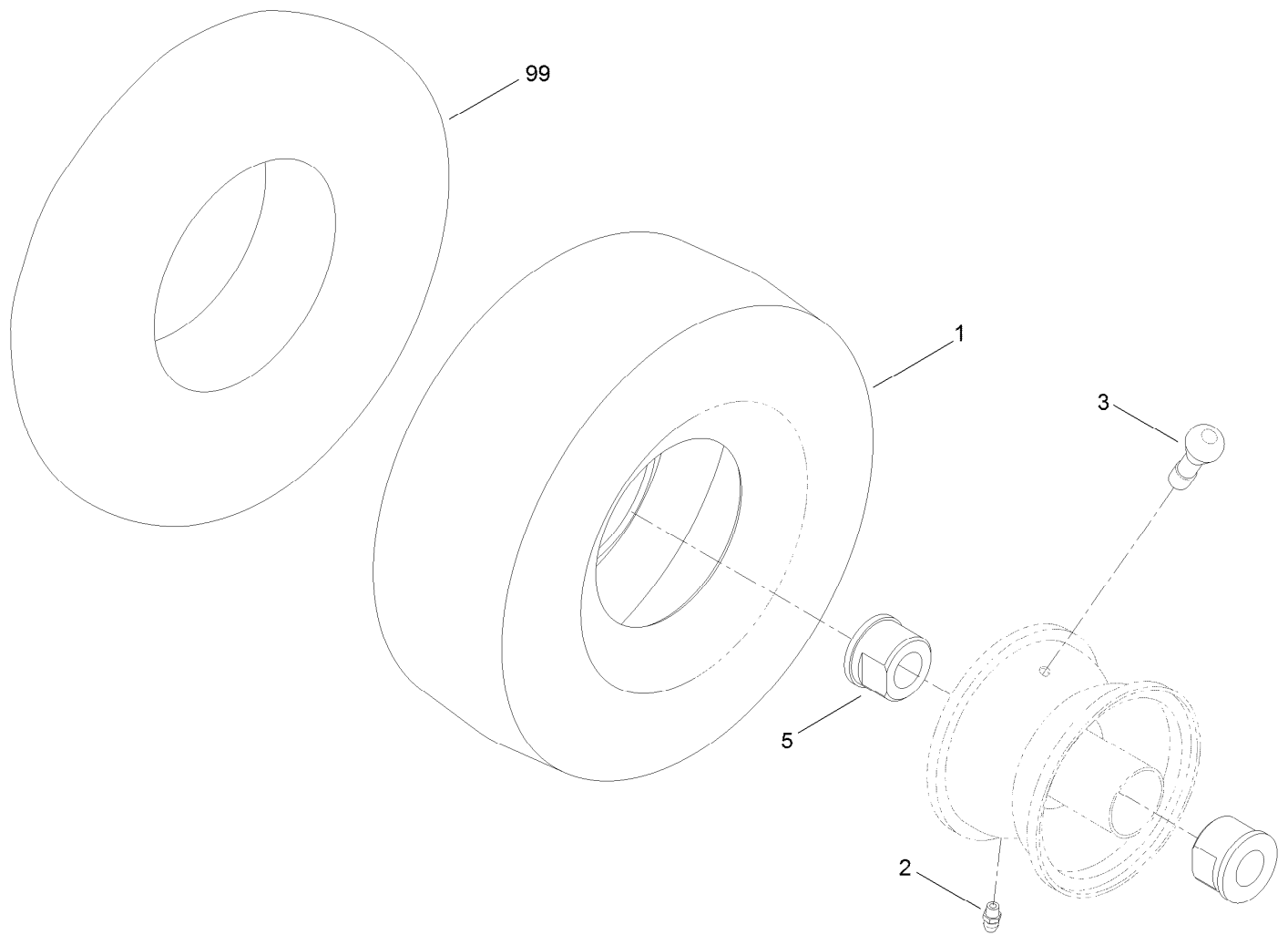
## Frame, Front Axle and Caster Wheel Assembly

Ref.	Part Number	Qty.	Description	Ref.	Part Number	Qty.	Description
1	117-7260-01	1	Frame ASM	11	109-3678	4	Bearing-Ball
2	110-1920-01	1	Bumper-Rear	12	119-8915	2	Washer
3	120-2239	1	Decal-Danger	13	3234-47	2	Screw-HHF
4	120-5516-01	1	Axle-Front	16	117-7332-03	1	Footrest
5	110-6785	2	Caster Wheel ASM (Kenda)	17	120-5465	1	Decal-Transport
5	120-5515	2	Caster Wheel ASM (Cst)	18	32144-70	2	Screw-HWHTF
6	104-3667	2	Spanner-Wheel	20	3234-42	14	Screw-HHF
7	325-22	2	Screw-HH	21	104-8301	14	Nut-Flange, NI
8	3296-45	2	Nut-Lock, NI	22	105-8278	1	Decal
9	120-2266-01	2	Fork-Caster	26	117-7459-01	1	Mount-Hydro, Rear (RH)
10	117-7394	2	Washer-Thrust	27	117-7460-01	1	Mount-Hydro, Rear (LH)



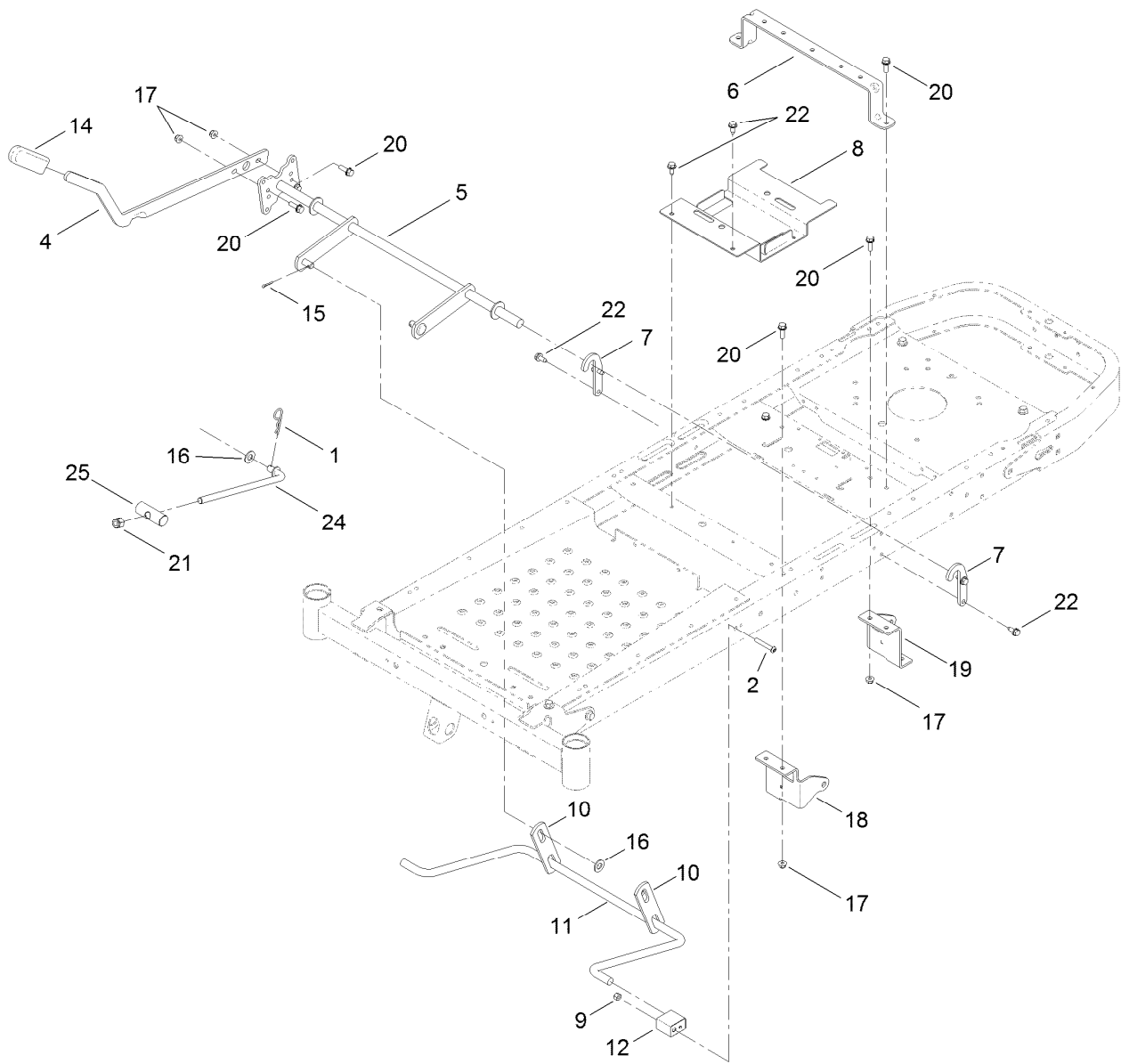
## Caster Wheel Assembly No. 110-6785

<i>Ref.</i>	<i>Part Number</i>	<i>Qty.</i>	<i>Description</i>
1	110-6791	1	Tire-Smooth (Kenda)
2	302-5	1	Fitting-Grease
3	232-27	1	Stem-Valve
5	114-1640	2	Bushing-Flange
99	93-4244	1	Tube-Inner (W/Valve)



## Caster Wheel Assembly No. 120-5515

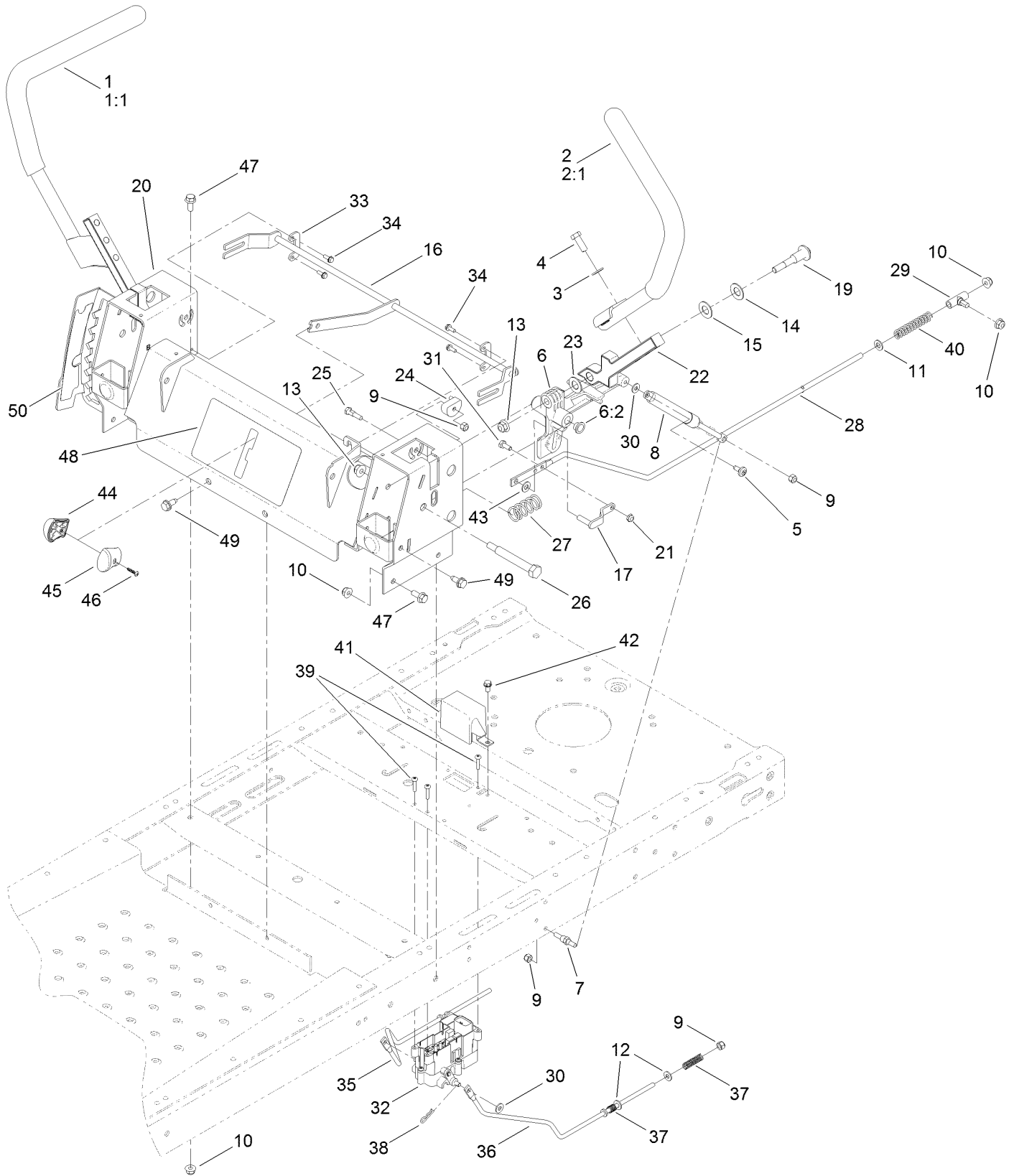
<i>Ref.</i>	<i>Part Number</i>	<i>Qty.</i>	<i>Description</i>
1	120-5514	1	Tire-Smooth (Cst)
2	302-5	1	Fitting-Grease
3	232-27	1	Stem-Valve
5	114-1640	2	Bushing-Flange
99	93-4244	1	Tube-Inner (W/Valve)



## Deck Lift Assembly

<i>Ref.</i>	<i>Part Number</i>	<i>Qty.</i>	<i>Description</i>	<i>Ref.</i>	<i>Part Number</i>	<i>Qty.</i>	<i>Description</i>
1	1-806005	1	Pin-Hair	14	1-633268	1	Grip-Lever
2	120-5499	2	Screw-HSBH	15	3272-10	2	Pin-Cotter
4	119-3427-03	1	Lever-Lift	16	3256-26	3	Washer-Flat
5	117-7346-03	1	Deck Lift ASM	17	104-8300	6	Nut-Flange, NI
6	119-3435-03	1	Brace-Seat, Rear	18	119-8861-01	1	Mount-Hydro, Front (RH)
7	119-8875	2	Bracket-Lift	19	119-8862-01	1	Mount-Hydro, Front (LH)
8	119-3406-03	1	Bracket-Battery	20	3234-29	6	Screw-HHF
9	3296-29	2	Nut-Lock, NI	21	3296-19	1	Nut-Hex
10	108-7840	2	Link-Lift	22	32144-70	6	Screw-HWHTF
11	108-7839	1	Arm-Lift, Rear	24	104-8047	1	Rod-Trunion
12	108-7845	2	Block-Pivot	25	119-8810	1	Pin-Pivot

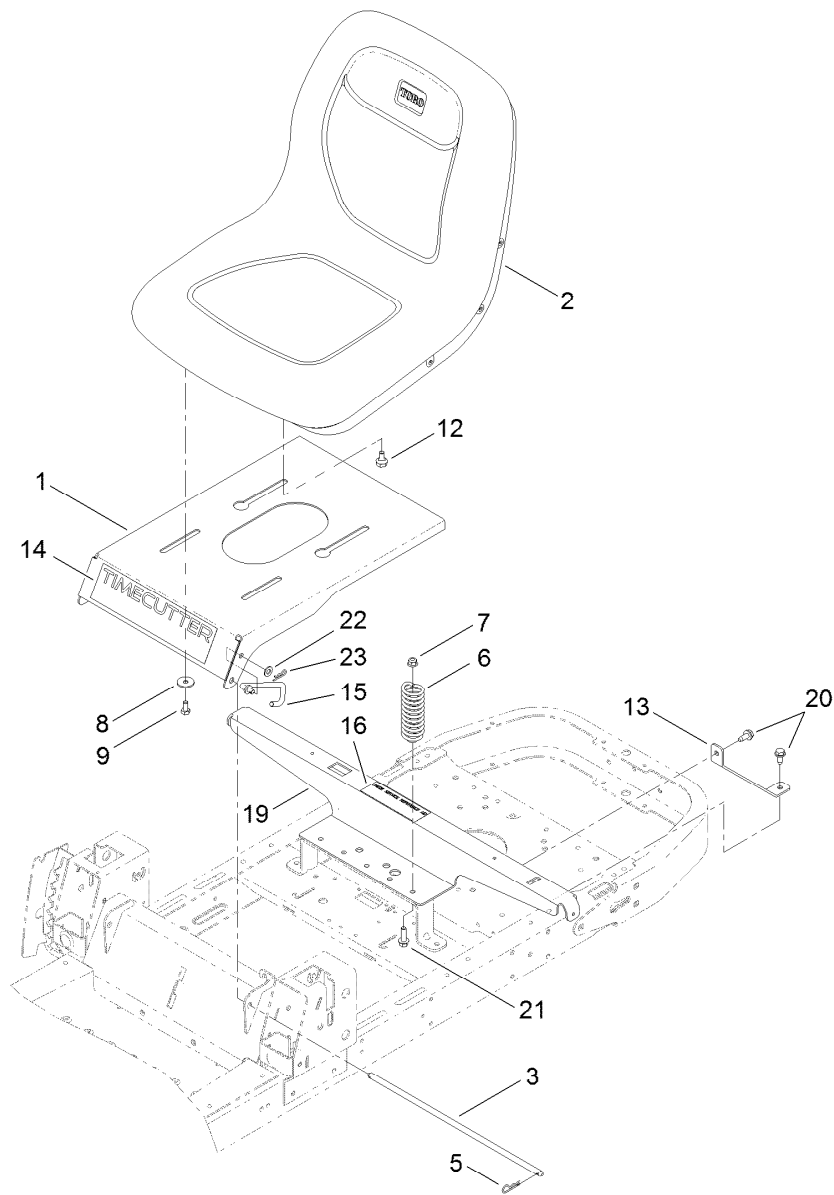
# Motion Control Assembly





## Motion Control Assembly (continued)

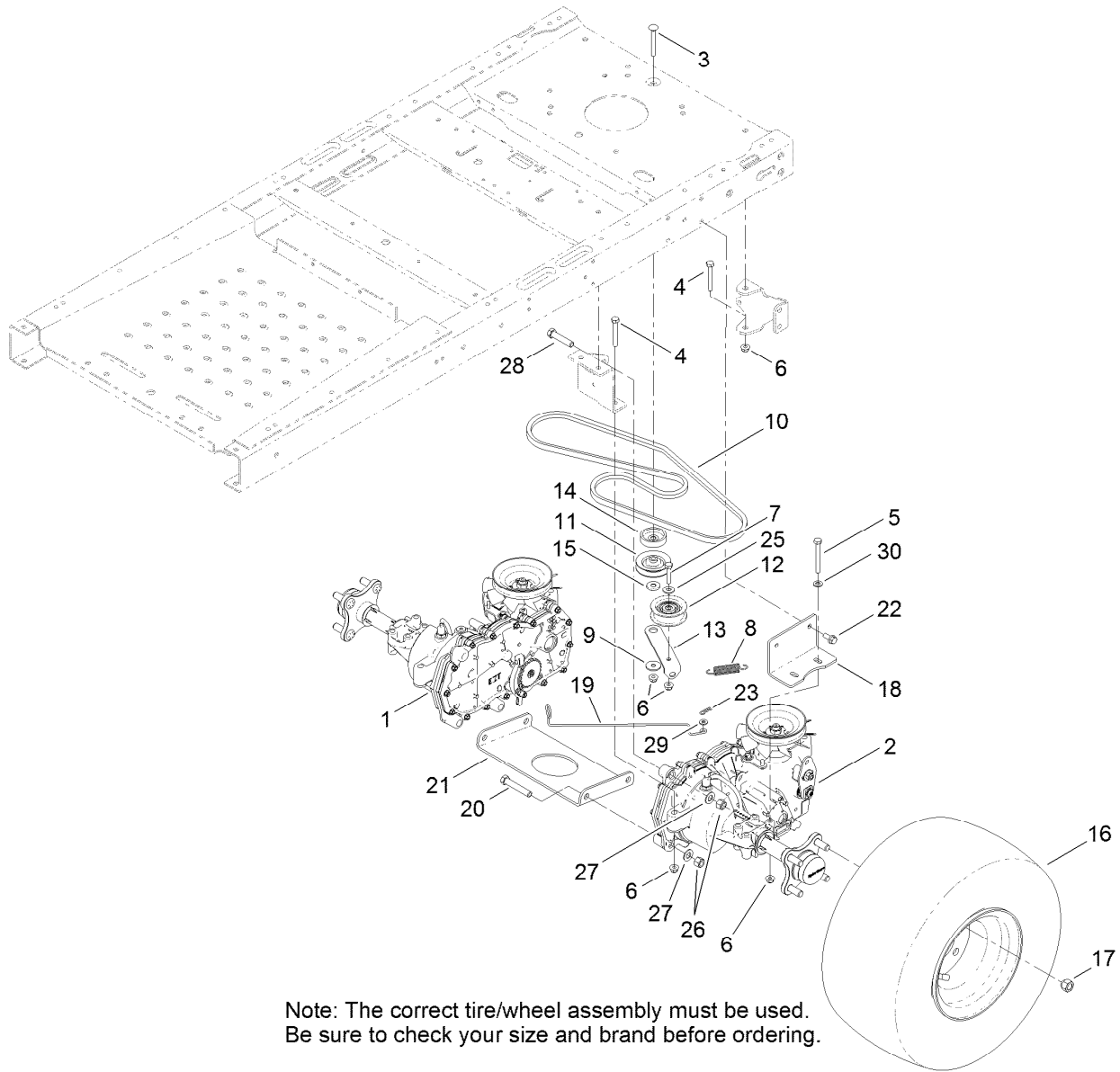
<i>Ref.</i>	<i>Part Number</i>	<i>Qty.</i>	<i>Description</i>	<i>Ref.</i>	<i>Part Number</i>	<i>Qty.</i>	<i>Description</i>
1	119-3486	1	RH Handle ASM	25	119-3301	2	Bolt-Pivot, Eccentric
1:1	108-6187	1	Grip	26	115-5099	2	Bolt-Pivot
2	119-3485	1	LH Handle ASM	27	119-8876	2	Spring-Return
2:1	108-6187	1	Grip	28	117-5388	2	Rod-Hydro
3	3256-24	4	Washer-Flat	29	119-8842	2	Mount-Rod, Hydro
4	323-6	4	Screw-HH	30	119-8952	4	Washer
5	112-4004	2	Screw-Shoulder	31	321-3	2	Screw-HH
6	119-3470	2	Actuator Arm ASM	32	115-9660	1	Brake Control Module ASM
6:2	256-156	2	Bushing-Flange	33	117-5385	2	Retainer
7	110-6810	2	Stud-Damper	34	32144-1	4	Screw-Taptite
8	103-2913	2	Damper-Control, Motion	35	119-8816	1	Rod-Brake, RH
9	3296-42	8	Nut-Lock, NI	36	119-8817	1	Rod-Brake, LH
10	104-8300	10	Nut-Flange, NI	37	117-1169	4	Spring-Compression
11	3256-23	2	Washer-Flat	38	3290-307	2	Pin-Hair
12	3256-22	4	Washer-Flat	39	32144-36	4	Screw-PPH
13	104-8301	4	Nut-Flange, NI	40	1-603807	2	Spring-Return, Neutral
14	119-8925	2	Washer-Belleville	41	119-8859	1	Cover-Brake
15	117-1240	2	Washer	42	32144-4	1	Screw-HWH
16	119-8832	1	Control-Speed	43	93-6079	2	Spacer-Nylon
17	119-3303	2	Pin-Rod, Hydro	44	119-8935	1	RH Knob ASM
19	117-1198	2	Bolt-Pivot	45	119-8936	1	LH Knob ASM
20	119-3386-03	1	Box-Control	46	94-4496	1	Screw-PPH
21	3296-56	2	Nut-Lock, NI	47	3234-47	6	Screw-HHF
22	115-5098-05	2	Lever-Control	48	119-8874	1	Decal-Speed Control
23	120-2273	2	Washer-Nylon	49	32144-70	4	Screw-HWHTF
24	115-9604	2	Eccentric	50	119-8871	1	Decal-HOC



## Seat Assembly

<i>Ref.</i>	<i>Part Number</i>	<i>Qty.</i>	<i>Description</i>
1	119-3391-01	1	Pan-Seat
2	119-8829	1	Seat-18 Inch
3	119-3433	1	Rod-Pivot, Narrow
5	3290-250	2	Pin-Hair
6	92-7054	3	Spring-Compression
7	104-8300	3	Nut-Flange, NI
8	5-4460	2	Washer-Pivot
9	322-2	2	Screw-HH
12	37-8771	2	Bolt-Shoulder

<i>Ref.</i>	<i>Part Number</i>	<i>Qty.</i>	<i>Description</i>
13	119-3431-03	2	Support-Tank, Rear
14	120-5458	1	Decal-Timecutter
15	119-8972	1	Stop-Seat
16	106-8717	1	Decal-Service
19	119-3436-03	1	Support-Pod
20	32144-70	4	Screw-HWHTF
21	3234-29	3	Screw-HHF
22	3256-23	1	Washer-Flat
23	3290-307	1	Pin-Hair

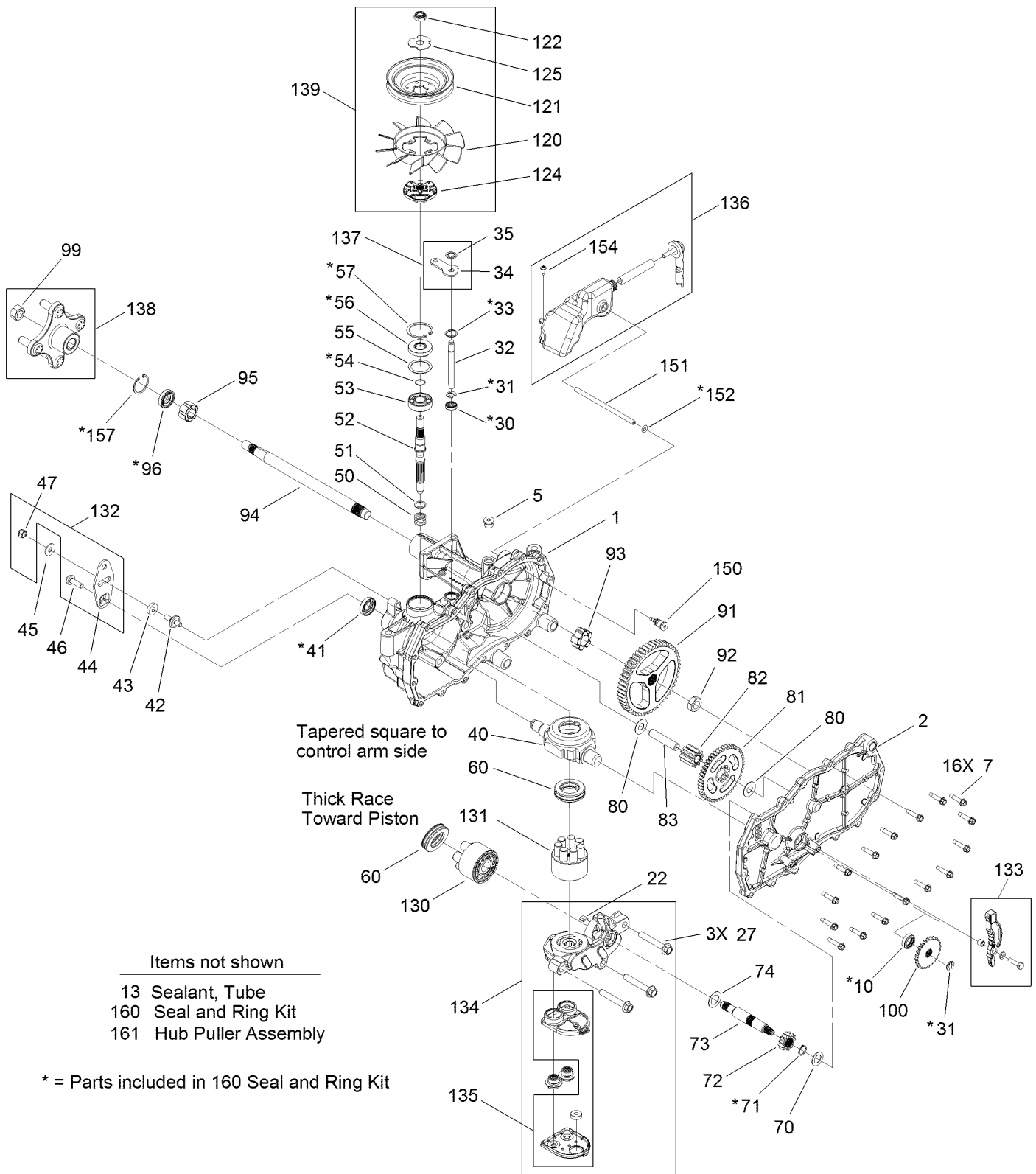


Note: The correct tire/wheel assembly must be used.  
Be sure to check your size and brand before ordering.

## Hydro Transaxle Drive and Rear Wheel Assembly

Ref.	Part Number	Qty.	Description	Ref.	Part Number	Qty.	Description
1	119-3331	1	Transaxle-Hydro, RH	16	120-5523	2	Wheel And Tire ASM (Premium)
2	119-3330	1	Transaxle-Hydro, LH	17	242-50	8	Nut-Lug
3	3230-8	1	Screw-CARR	18	117-7264-03	2	Mount-Hydro
4	322-11	4	Screw-HH	19	119-3464	2	Rod-Bypass
5	322-13	4	Screw-HH	20	324-10	4	Screw-HH
6	104-8300	14	Nut-Flange, NI	21	119-3339-03	1	Cross Plate-Hydro
7	322-7	1	Screw-HH	22	3234-29	4	Screw-HHF
8	104-6415	1	Spring-Return, Pedal	23	3290-307	2	Pin-Hair
9	5-4460	1	Washer-Pivot	25	3256-3	1	Washer-Flat
10	119-3309	1	V-Belt	26	3296-48	6	Nut-Lock, NI
11	119-8822	1	Pulley-Idler	27	3256-25	6	Washer-Flat
12	106-2176	1	Pulley-Idler	28	324-8	2	Screw-HH
13	119-3326	1	Arm-Idler	29	3256-22	2	Washer-Flat
14	119-3353	1	Spacer	30	3256-23	4	Washer-Flat
15	119-3327	1	Spacer-Arm, Idler				
16	119-3465	2	Wheel And Tire ASM (Kenda)				

# Right Hand Hydro Transaxle Assembly No. 119-3331

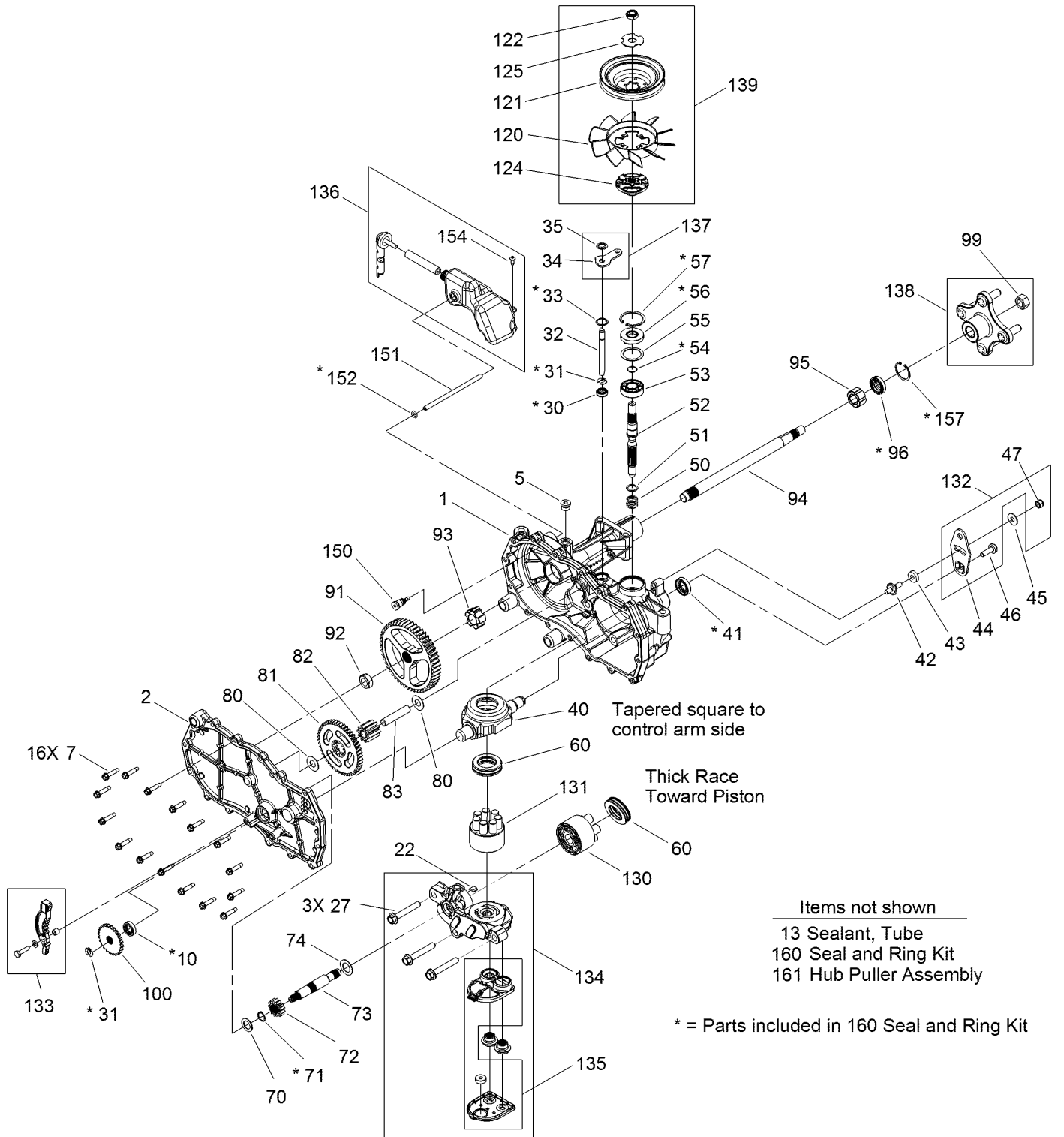


# Right Hand Hydro Transaxle Assembly No. 119-3331 (continued)

<i>Ref.</i>	<i>Part Number</i>	<i>Qty.</i>	<i>Description</i>	<i>Ref.</i>	<i>Part Number</i>	<i>Qty.</i>	<i>Description</i>
1	120-5531	1	Main Housing ASM	74	104-5360	1	Washer-Shaft, Motor
2	120-5533	1	Housing Side Kit	80	119-5541	2	Washer
5	104-2189	1	Plug-Thread, Straight	81	104-5317	1	Gear
7	117-5359	16	Screw-Hfhcs	82	104-5318	1	Gear-Jackshaft, 10T
10	120-5535	1	Seal-Lip	83	104-5329	1	Pin-Jackshaft
13	104-2147	1	Sealant ●	91	120-5539	1	Gear-Bull
22	114-1680	1	Plate-Bypass	92	104-2142	1	Nut-HJ
27	120-5536	3	Bolt-Hex Flange	93	115-8314	1	Bushing-Inboard
30	106-8676	1	Seal-Lip	94	120-5540	1	Shaft-Axle
31	106-8677	1	Ring-Retaining, EXT	95	120-5541	1	Bearing-Sleeve
32	106-8678	2	Rod-Bypass	96	120-5542	1	Seal-Lip
33	106-8679	1	Ring-Retaining, Int	99	120-5543	1	Nut-Hex Lock
34	107-2490	1	Arm-Bypass	100	106-8694	1	Disc-Brake, Cog
35	106-8681	1	Ring-Retaining, EXT	120	120-5544	1	Fan-6 Inch
40	104-5304	1	Swashplate-Trunnion	121	120-5545	1	Pulley
41	104-5313	1	Seal-Lip	122	105-1875	1	Nut-Lock
42	104-2116	1	Stud	124	120-5546	1	Hub
43	112-9853	1	Puck-Friction	125	107-9122	1	Washer-Slotted
44	106-8747	1	Arm-Control	130	103-2666	1	Cylinder Block Kit
45	114-8491	1	Washer	131	110-8561	1	Pump Block ASM
46	107-2488	1	Screw	132	117-5362	1	Arm Control Kit
47	105-1872	1	Nut	133	106-8688	1	Brake Arm Kit
50	120-5537	1	Spring-Compression	134	112-9862	1	Center Section Filter Kit
51	120-5538	1	Washer	135	114-1634	1	Filter Kit
52	104-5306	1	Shaft-Input	136	120-5547	1	Expansion Tank Kit
53	104-5311	1	Bearing-Ball	137	107-2489	1	Bypass Arm Kit
54	104-5307	1	Ring-Retaining	138	120-7101	1	Hub Kit
55	104-5308	1	Spacer	139	105-1928	1	Fan Pulley Kit
56	104-5310	1	Seal-Lip	150	104-5349	1	Fitting-Sae
57	104-5309	1	Ring-Retaining	151	115-8302	1	Hose
60	94-6922	1	Bearing-Thrust	152	104-5361	1	O-Ring
70	104-5339	1	Washer-Flat	154	120-7100	1	Bolt-Self Tapping
71	104-5340	1	Ring-Retaining	157	120-7102	1	Ring-Retaining
72	104-5316	1	Gear-Pinnion, 13T	160	120-7103	1	Seal And Ring Kit ●
73	106-8683	1	Shaft-Motor	161	114-8467	1	Hub-Puller, 4 Bolt ●

● Not illustrated

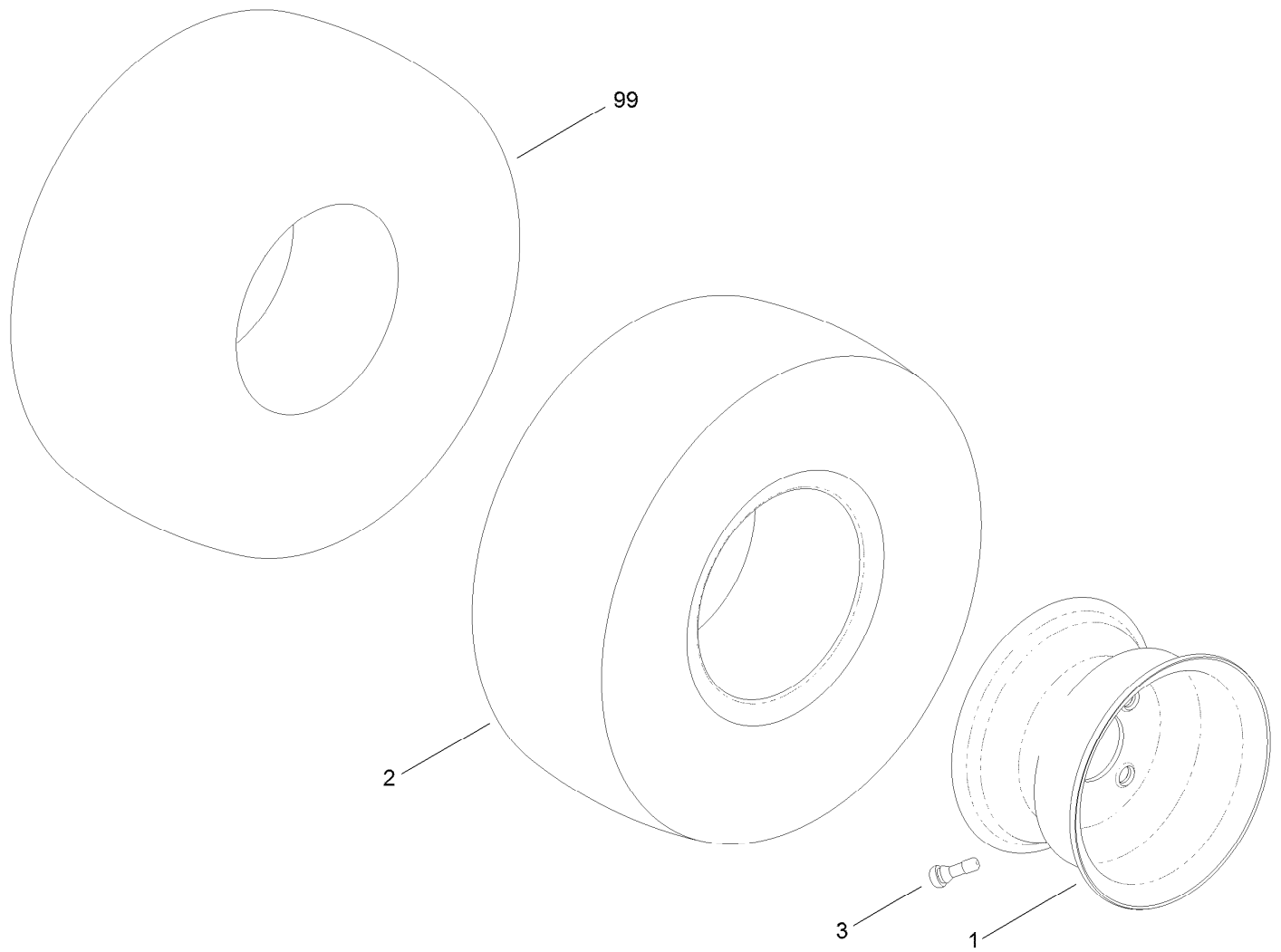
# Left Hand Hydro Transaxle Assembly No. 119-3330



# Left Hand Hydro Transaxle Assembly No. 119-3330 (continued)

<i>Ref.</i>	<i>Part Number</i>	<i>Qty.</i>	<i>Description</i>	<i>Ref.</i>	<i>Part Number</i>	<i>Qty.</i>	<i>Description</i>
1	120-5532	1	RH Main Housing ASM	74	104-5360	1	Washer-Shaft, Motor
2	120-5534	1	RH Housing Side Kit	80	119-5541	2	Washer
5	104-2189	1	Plug-Thread, Straight	81	104-5317	1	Gear
7	117-5359	16	Screw-Hfhcs	82	104-5318	1	Gear-Jackshaft, 10T
10	120-5535	1	Seal-Lip	83	104-5329	1	Pin-Jackshaft
13	104-2147	1	Sealant ●	91	120-5539	1	Gear-Bull
22	114-1680	1	Plate-Bypass	92	104-2142	1	Nut-HJ
27	120-5536	3	Bolt-Hex Flange	93	115-8314	1	Bushing-Inboard
30	106-8676	1	Seal-Lip	94	120-5540	1	Shaft-Axle
31	106-8677	1	Ring-Retaining, EXT	95	120-5541	1	Bearing-Sleeve
32	106-8678	2	Rod-Bypass	96	120-5542	1	Seal-Lip
33	106-8679	1	Ring-Retaining, Int	99	120-5543	1	Nut-Hex Lock
34	107-2490	1	Arm-Bypass	100	106-8694	1	Disc-Brake, Cog
35	106-8681	1	Ring-Retaining, EXT	120	120-5544	1	Fan-6 Inch
40	104-5304	1	Swashplate-Trunnion	121	120-5545	1	Pulley
41	104-5313	1	Seal-Lip	122	105-1875	1	Nut-Lock
42	104-2116	1	Stud	124	120-5546	1	Hub
43	112-9853	1	Puck-Friction	125	107-9122	1	Washer-Slotted
44	106-8747	1	Arm-Control	130	103-2666	1	Cylinder Block Kit
45	114-8491	1	Washer	131	110-8561	1	Pump Block ASM
46	107-2488	1	Screw	132	117-5362	1	Arm Control Kit
47	105-1872	1	Nut	133	106-8688	1	Brake Arm Kit
50	120-5537	1	Spring-Compression	134	112-9861	1	Center Section Filter Kit
51	120-5538	1	Washer	135	114-1634	1	Filter Kit
52	104-5306	1	Shaft-Input	136	120-5548	1	Expansion Tank Kit
53	104-5311	1	Bearing-Ball	137	107-2489	1	Bypass Arm Kit
54	104-5307	1	Ring-Retaining	138	120-7101	1	Hub Kit
55	104-5308	1	Spacer	139	105-1928	1	Fan Pulley Kit
56	104-5310	1	Seal-Lip	150	104-5349	1	Fitting-Sae
57	104-5309	1	Ring-Retaining	151	115-8302	1	Hose
60	94-6922	1	Bearing-Thrust	152	104-5361	1	O-Ring
70	104-5339	1	Washer-Flat	154	120-7100	1	Bolt-Self Tapping
71	104-5340	1	Ring-Retaining	157	120-7102	1	Ring-Retaining
72	104-5316	1	Gear-Pinnion, 13T	160	120-7103	1	Seal And Ring Kit ●
73	106-8683	1	Shaft-Motor	161	114-8467	1	Hub-Puller, 4 Bolt ●

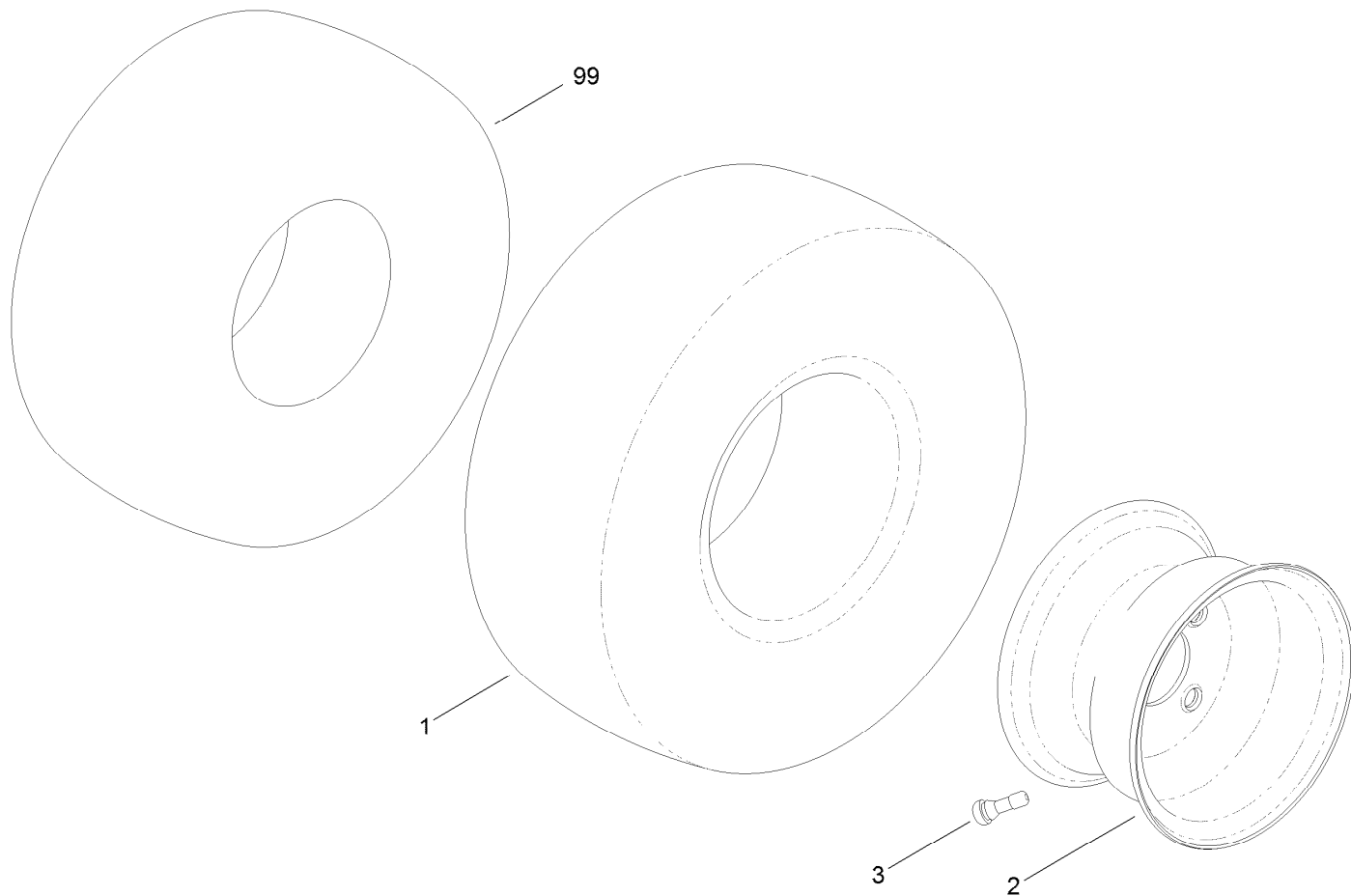
● Not illustrated



## Wheel and Tire Assembly No. 119-3465

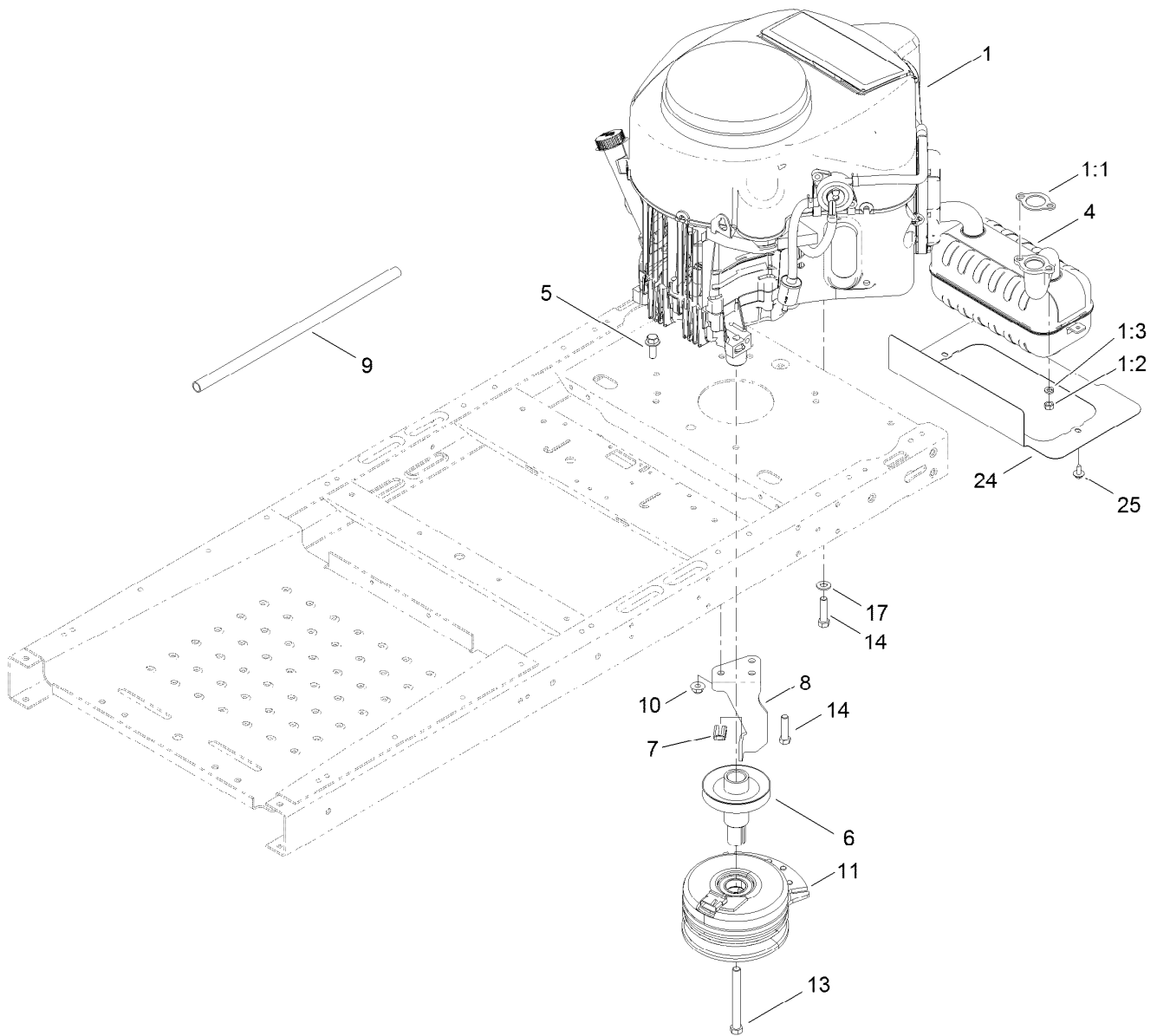
<i>Ref.</i>	<i>Part Number</i>	<i>Qty.</i>	<i>Description</i>
1	107-2475	1	Wheel
2	110-6885	1	Tire (Kenda)
3	232-27	1	Stem-Valve
99	107-2491	1	Tube-Tire





## Wheel and Tire Assembly No. 120-5523

<i>Ref.</i>	<i>Part Number</i>	<i>Qty.</i>	<i>Description</i>
1	119-8907	1	Tire (Premium)
2	107-2475	1	Wheel
3	232-27	1	Stem-Valve
99	107-2491	1	Tube-Tire



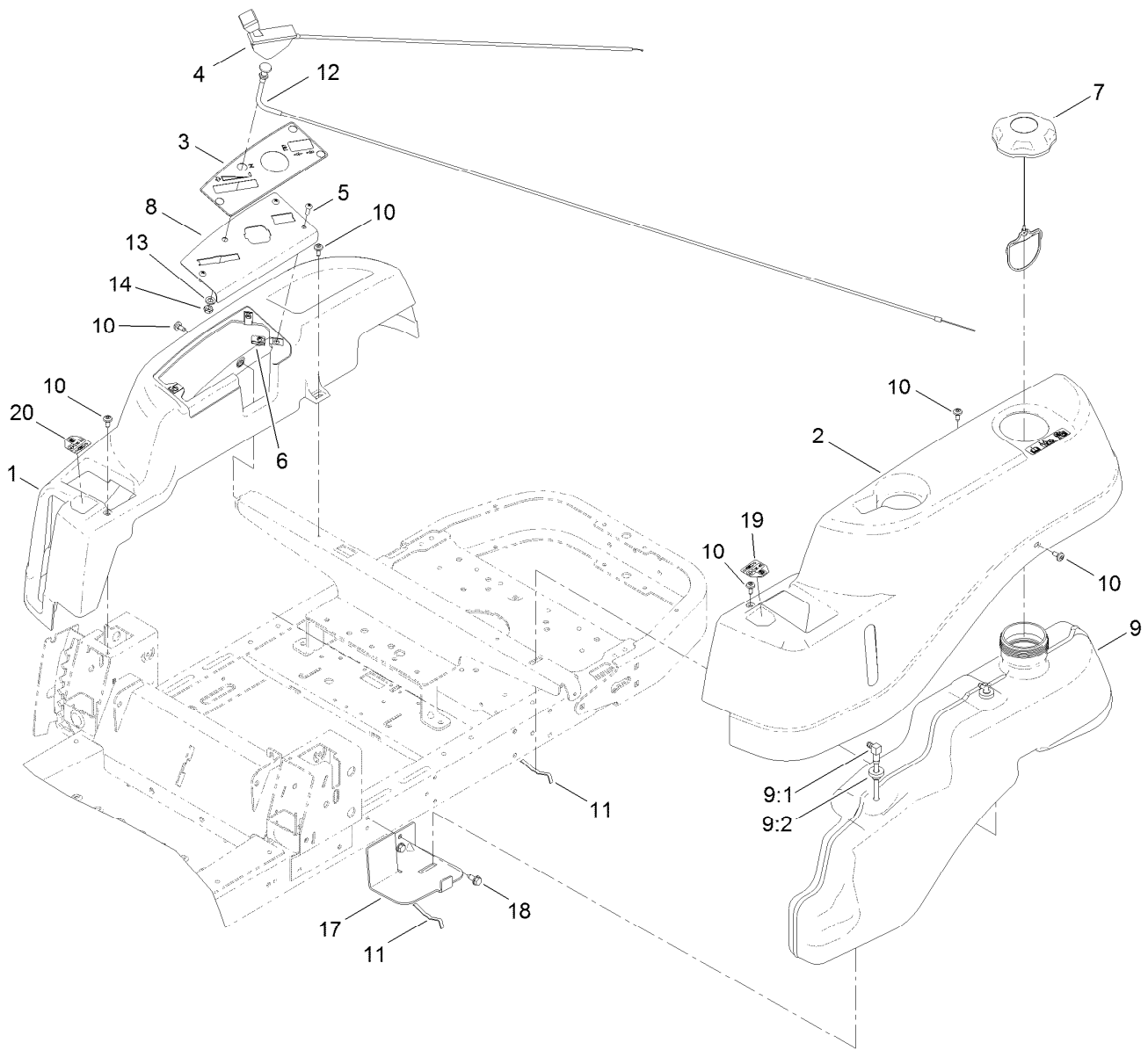
## Engine, Muffler and Clutch Assembly

Ref.	Part Number	Qty.	Description
1		1	Engine-Kawasaki, Fr600V- s05-R ●■
1:1	1-653313	2	Gasket-Exhaust
1:2	114-3549	4	Nut
1:3	114-3550	4	Washer-Lock, Spring
4	116-2450	1	Muffler-Kawasaki
5	3234-42	1	Screw-HHF
6	119-3318	1	Pulley-Engine
7	120-2217	1	Isolator-Clutch

Ref.	Part Number	Qty.	Description
8	119-8884	1	Stop-Clutch
9	106-7022	1	Tube-Drain, Oil
10	104-8301	1	Nut-Flange, NI
11	117-7468	1	Clutch-Electric
13	3212-16	1	Screw-HH
14	323-50	4	Bolt-HH
17	3256-24	3	Washer-Flat
24	119-8976-03	1	Shield-Heat
25	46-8560	2	Screw-HHFTF

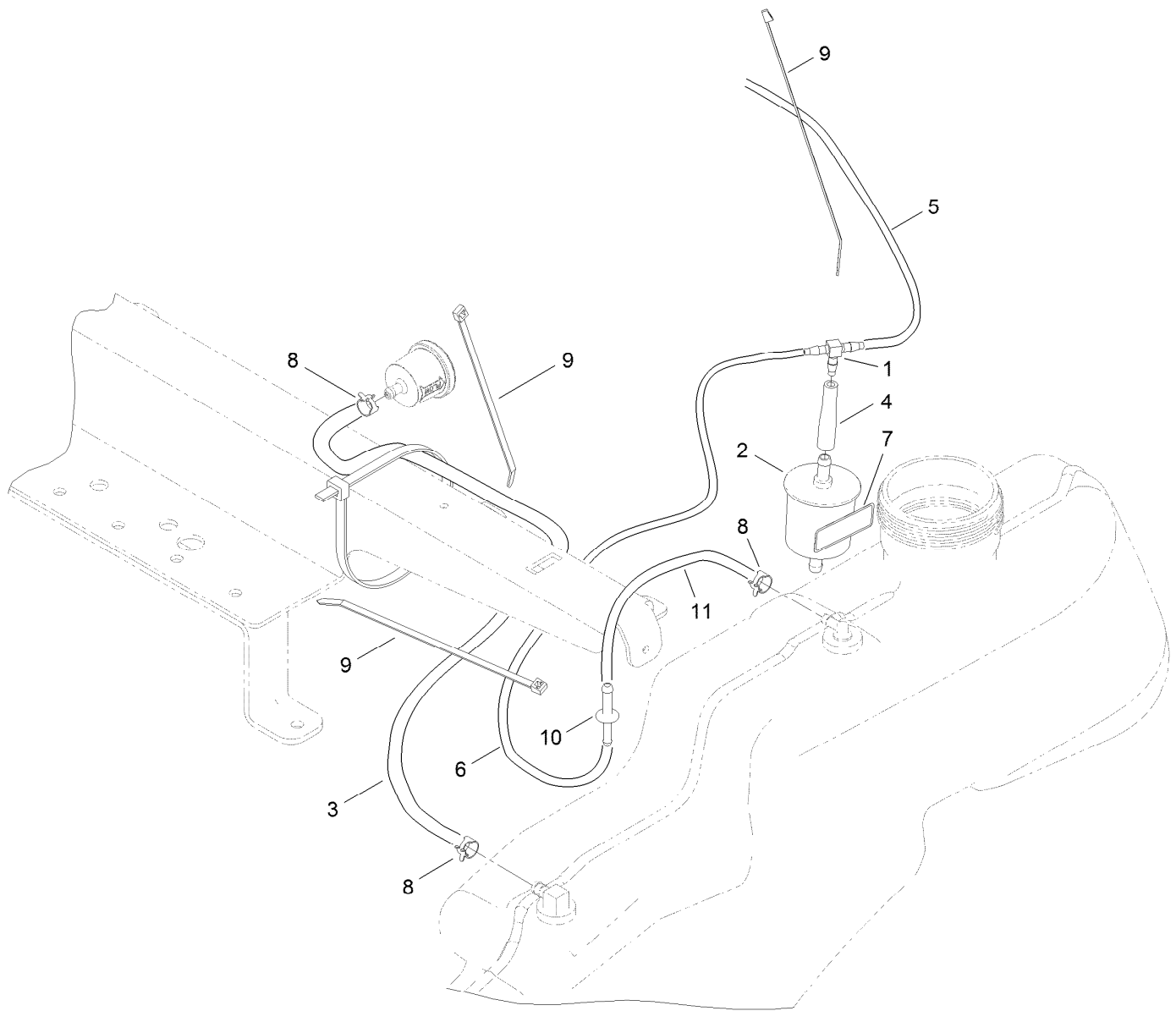
● Not serviced separately

■ Obtain parts from [www.kawpowerepc.com](http://www.kawpowerepc.com)



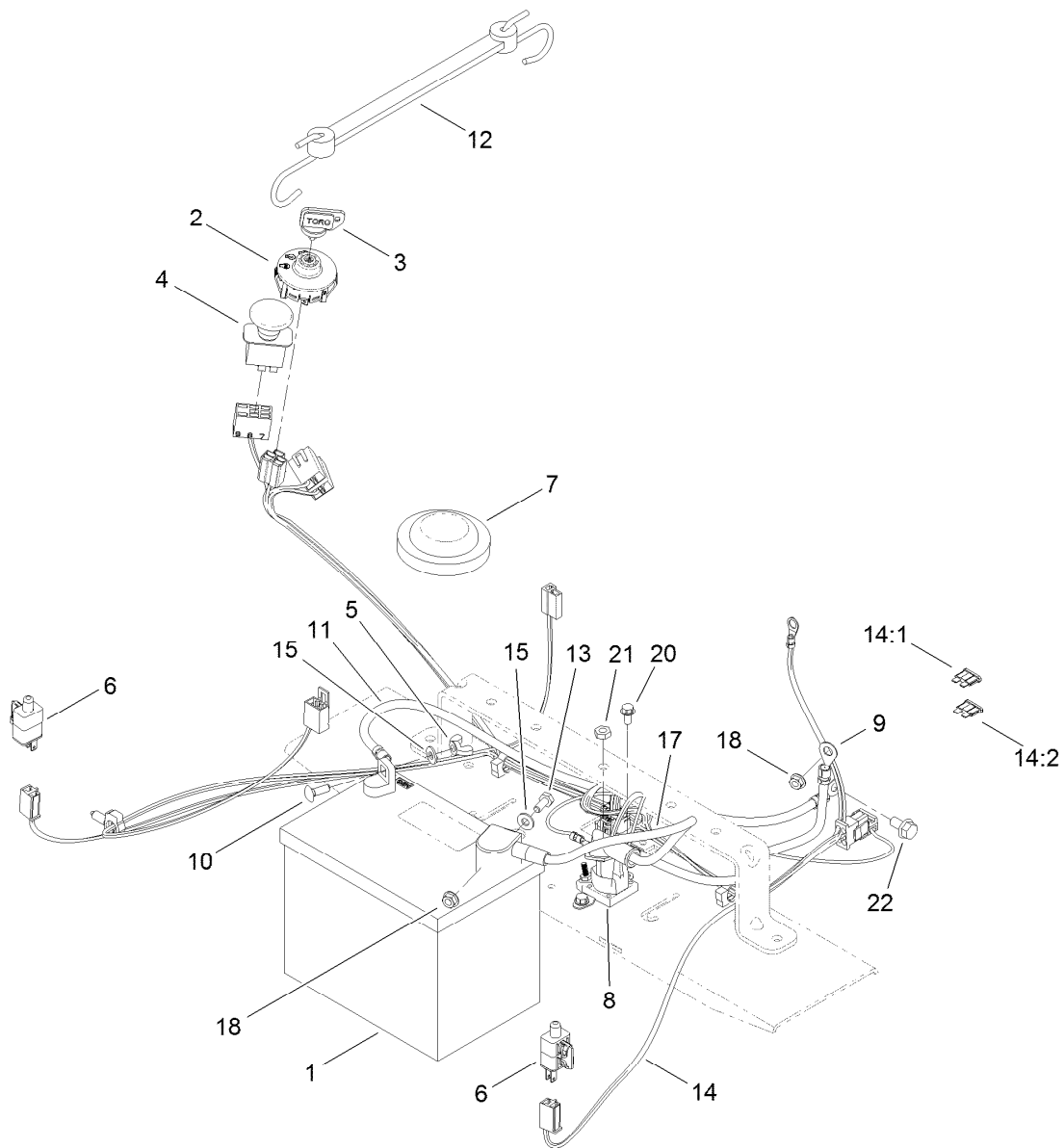
## Body Styling and Fuel Tank Assembly

<i>Ref.</i>	<i>Part Number</i>	<i>Qty.</i>	<i>Description</i>	<i>Ref.</i>	<i>Part Number</i>	<i>Qty.</i>	<i>Description</i>
1	119-3335	1	Pod-RH	9:2	46-6560	2	Bushing
2	119-3334	1	Pod-LH	10	112-4004	6	Screw-Shoulder
3	119-8873	1	Decal-Panel, Control	11	609830	2	Spring
4	112-9752	1	Cable-Throttle	12	112-9753	1	Cable-Choke
5	3258-166	3	Screw-PRH	13	3253-21	1	Washer-Lock
6	107069	3	Clip	14	3220-3	1	Nut-HJ
7	120-5461	1	Cap-Fuel, Ratcheting	17	119-3476-03	1	Support-Tank, Front
8	119-3378-03	1	Plate-Control	18	32144-70	2	Screw-HWHTF
9	119-3324	1	Fuel Tank ASM	19	119-8814	1	Decal-Control Lever, LH
9:1	115-2564	1	Tube-Drop	20	119-8815	1	Decal-Control Lever, RH



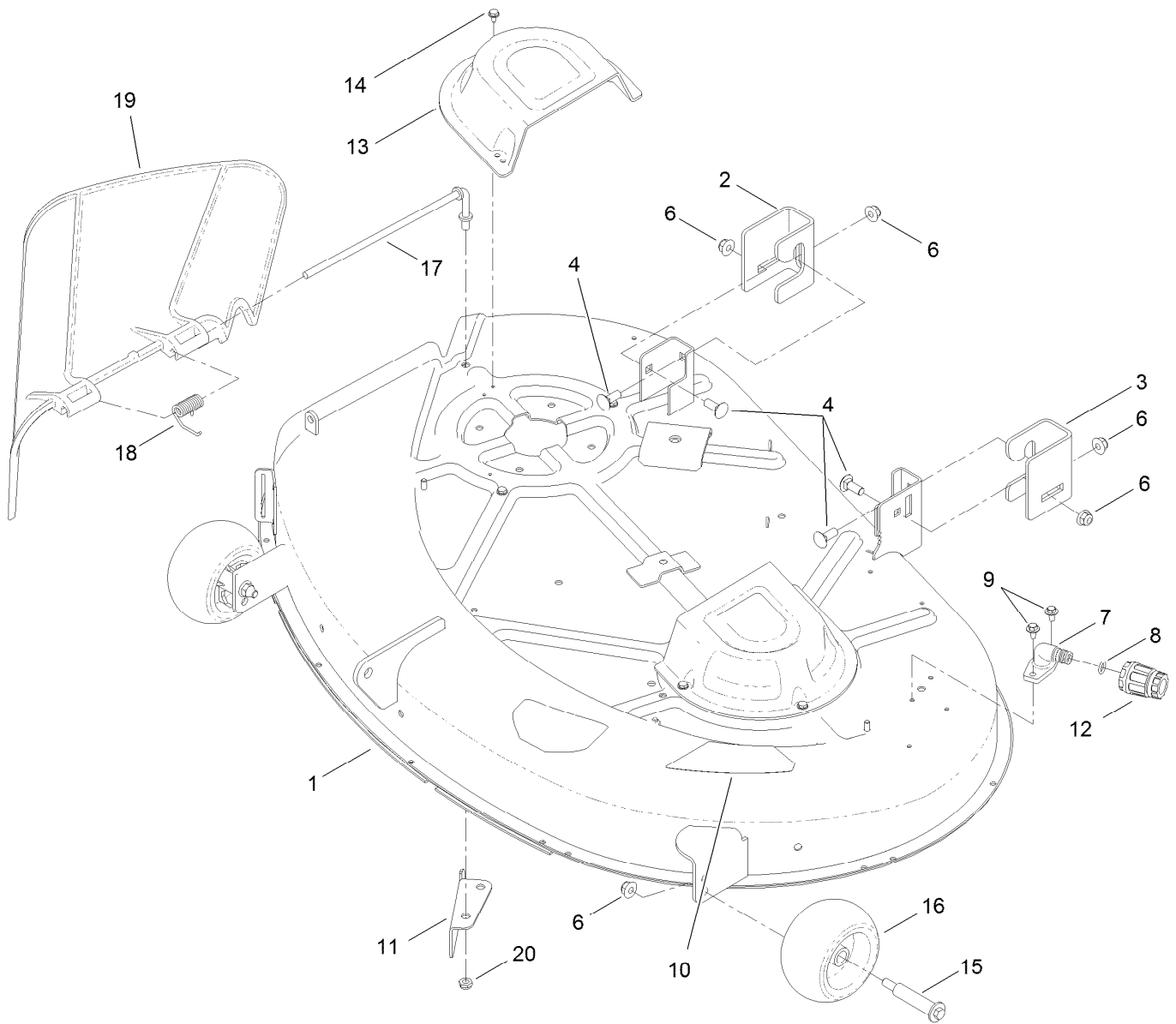
## Fuel Delivery Assembly

<i>Ref.</i>	<i>Part Number</i>	<i>Qty.</i>	<i>Description</i>
1	120-2234	1	Fitting-Tee
2	120-2235	1	Filter-Air
3	110-5701	1	Hose-Fuel
4	120-2272	1	Hose-Fuel, Molded
5	119-8150	1	Hose-Fuel
6	119-8150	1	Hose-Fuel
7	116-4769	1	Decal-Filter, Emissions
8	2412-98	3	Clamp
9	614249	3	Strap-Tie
10	117-5399	1	Adaptor-Orifice
11	110-1876	1	Hose-Fuel



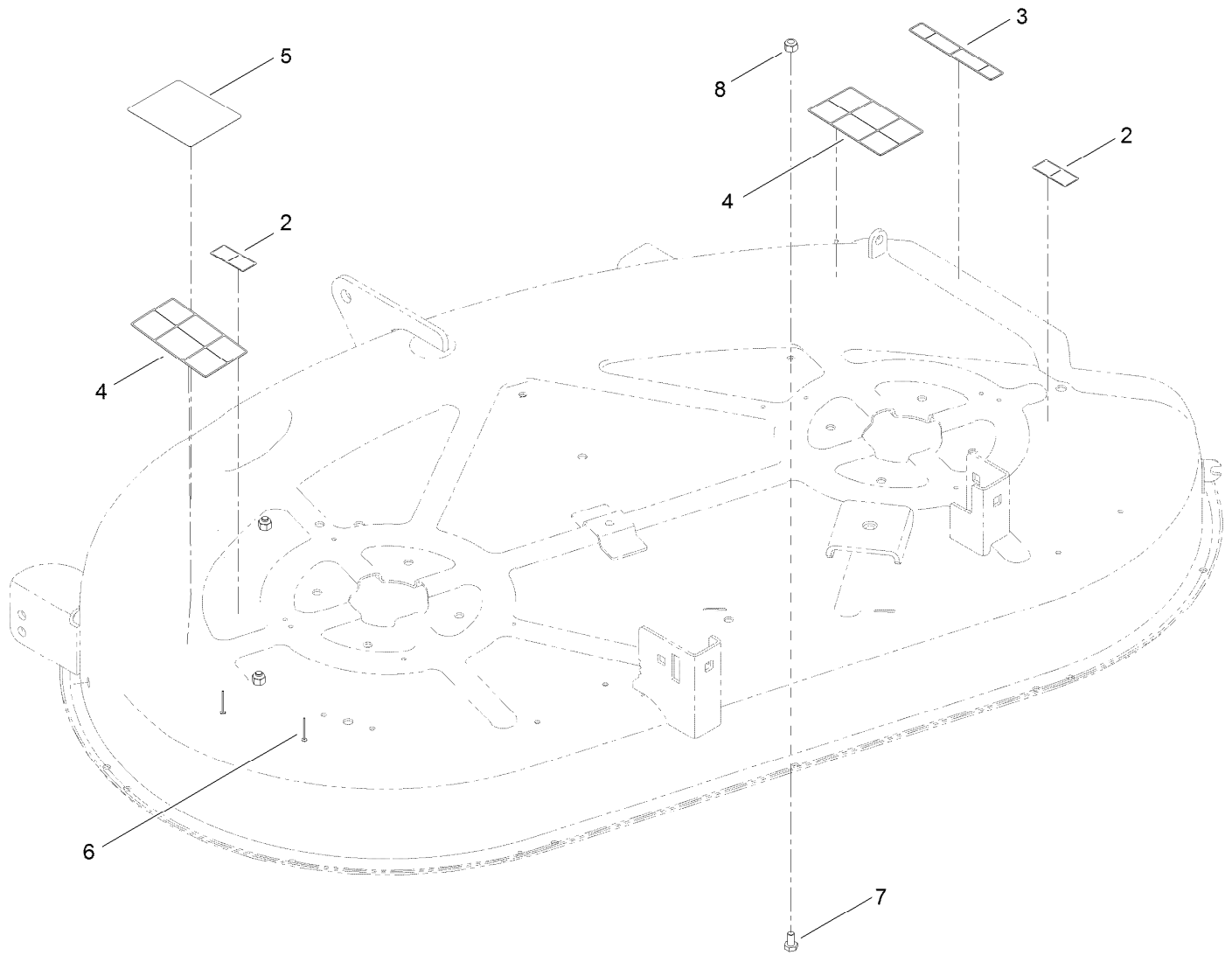
## Battery and Electrical Assembly

<i>Ref.</i>	<i>Part Number</i>	<i>Qty.</i>	<i>Description</i>	<i>Ref.</i>	<i>Part Number</i>	<i>Qty.</i>	<i>Description</i>
1	104-2493	1	Battery	12	104-2466	1	Holddown-Battery
2	117-2221	1	Switch-Ignition	13	321-3	1	Screw-HH
3	63-8360	1	Key-Ignition	14	119-3343	1	Harness-Wire
4	93-9998	1	Switch-PTO	14:1	109103	1	Fuse-Blade, 30 Amp
5	32103-22	1	Nut-Wing	14:2	109102	1	Fuse-Blade, 25 Amp
6	110-6765	2	Switch-Single Pole No	15	3256-22	2	Washer-Flat
7	100-3524	1	Switch-Seat	17	119-8897	1	Cable-Battery, Red
8	117-1197	1	Solenoid	18	32128-33	2	Nut-HF
9	119-8898	1	Cable-Battery, Red	20	32144-4	2	Screw-HWH
10	3229-1	1	Screw-CARR	21	3220-2	2	Nut-Jam
11	119-8899	1	Cable-Battery, Black	22	33104-016	1	Screw-HHF



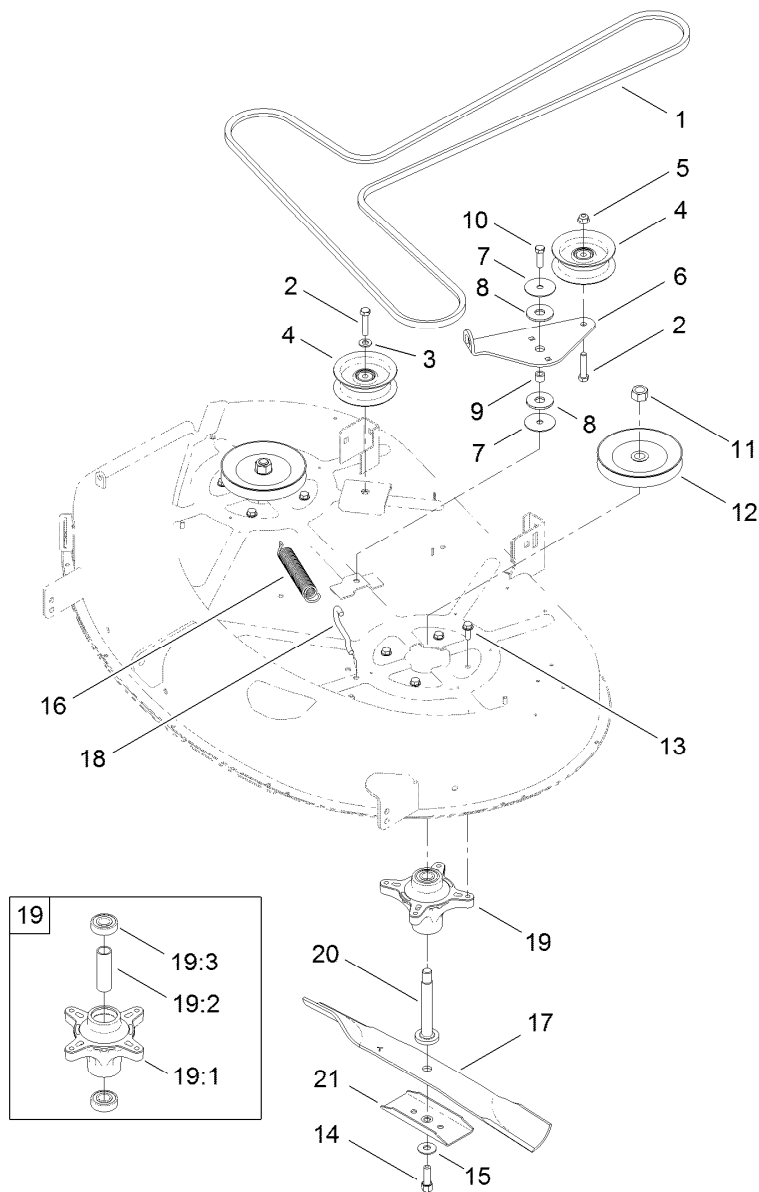
## 42 Inch Deck Assembly

Ref.	Part Number	Qty.	Description	Ref.	Part Number	Qty.	Description
1	119-8840	1	42 Inch Deck And Decal ASM	11	112-3983-03	1	Baffle-Cutoff
2	119-3494	1	Bracket-Hanger, RH	12	95-3270	1	Connector-Hose
3	119-3496	1	Bracket-Hanger, LH	13	108-7889	2	Cover-Belt
4	3231-2	4	Screw-CARR	14	32104-76	6	Screw
6	104-8301	6	Nut-Flange, NI	15	112-3977	2	Bolt-Shoulder
7	95-2747	1	Fitting-Washout	16	1-603299	2	Roller-Scalp, Anti
8	46-6290	1	O-Ring, Seal	17	112-4026	1	Rod-Pivot
9	46-8560	2	Screw-HHFTF	18	110-6694	1	Spring-Torsion
10	117-1222	1	Decal	19	112-3951	1	Deflector
				20	3296-59	1	Nut-Lock, NI



## 42 Inch Deck Assembly No. 119-8840

<i>Ref.</i>	<i>Part Number</i>	<i>Qty.</i>	<i>Description</i>
2	114-1606	2	Decal-Danger, Pulley
3	93-7009	1	Decal-Danger, Deflector
4	110-6691	2	Decal-Danger
5	105-7015	1	Decal-Routing, Belt
6	3290-282	2	Rivet-Blind
7	321-2	3	Screw-HH
8	3296-42	3	Nut-Lock, NI



## 42 Inch Deck Belt, Spindle and Blade Assembly

Ref.	Part Number	Qty.	Description
1	119-8819	1	V-Belt
2	323-9	2	Screw-HH
3	3256-24	1	Washer-Flat
4	106-2175	2	Pulley-Idler, Flat
5	104-8301	1	Nut-Flange, NI
6	114-8540	1	Arm-Idler
7	120-2229	2	Washer-Idler Pivot
8	114-0463	2	Washer-Friction, Composite
9	115-4986	1	Spacer
10	323-7	1	Screw-HH
11	3219-6	2	Nut-Hex
12	110-6864	2	Pulley

Ref.	Part Number	Qty.	Description
13	32144-41	8	Screw-Taptite
14	26-0671	2	Screw-HH
15	3290-465	2	Washer-Belleville
16	106-2177	1	Spring-Extension
17	110-6568-03	2	Blade-21.6 Inch
18	88-5970	1	Hook-Return, Spring
19	117-7439	2	Spindle ASM
19:1	117-7267	1	Spindle
19:2	117-7269	1	Spacer
19:3	100-1048	2	Bearing-Ball
20	117-7268	2	Shaft-Spindle
21	106-2248-03	2	Stiffener-Blade



# Attachments and Accessories

## For 74624 TimeCutter SS 4235 Riding Mower

<b>Product Name</b>	<b>Model/Part</b>
Armrest Kit (Milsco) .....	105-6978
42 inch Blowout Ring Kit .....	114-1620
Hourmeter Kit, 2011 and After TimeCutter Riding Mower .....	120-5498
Striping Kit, 42in and 50in Mowers .....	120-7905
Engine Guard Kit, Zero-Turn-Radius Riding Mowers .....	79009
Foot Assist Deck Lift Kit, 2011 and After Zero-Turn-Radius Riding Mower .....	79010
Sunshade Kit, 2011 and After Zero-Turn-Radius Riding Mower .....	79011
Hitch Kit, Zero-Turn-Radius Riding Mower .....	79014
42in Recycler Kit, 2007 and After Riding Mower .....	79018
Floor Mat Kit, 2011 and After Zero-Turn-Radius Riding Mower w/ 32in or 42in Cutting Unit .....	79020
42 inch Replacement Blade Kit .....	79220
Storage Cover .....	79317
42in Bagger, 2011 and After TimeCutter 4000 Series Riding Mower .....	79334
10 cu. ft. Poly Dump Cart .....	79991

**Notes:**

**Notes:**



**Count on it.**