



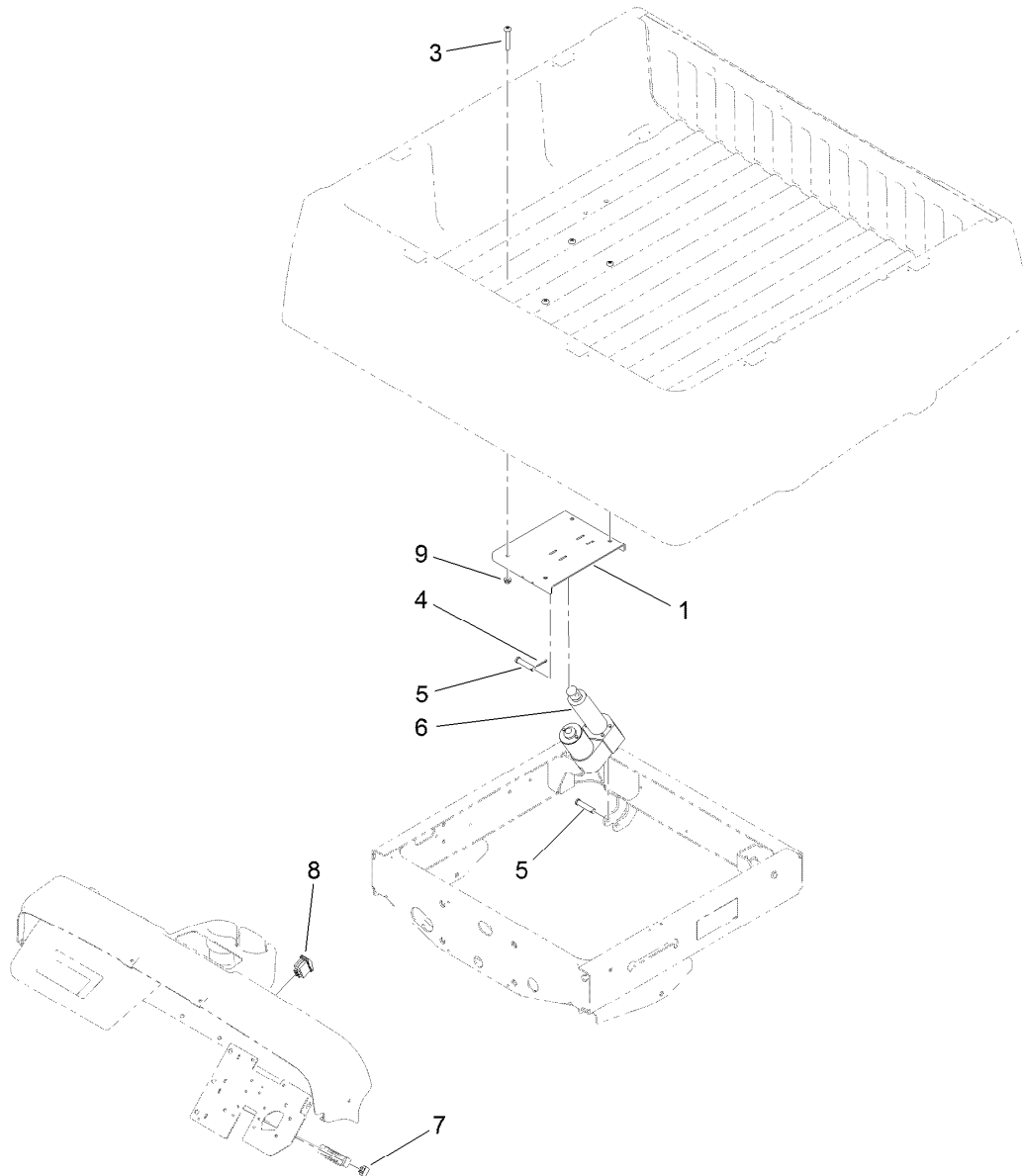
Count on it.

Parts Catalog

Electric Bed Lift Kit

2011 and After Workman® MD/MDX Utility Vehicle

Model No. 07381—Serial No. 311000001 and Up



Electric Bed Lift Assembly

Ref.	Part Number	Qty.	Description
1	119-9471-03	1	Lift Bracket ASM
3	119-9615	4	Screw-PPH
4	3272-11	2	Pin-Cotter
5	92-2739	2	Pin-Clevis
6	112-3273	1	Actuator-Linear, 5 Inch
7	99-7431	1	Fuse-Thermal, 15 Amp
8	94-1742	1	Switch
9	3290-357	4	Nut-HHF, Whiz