



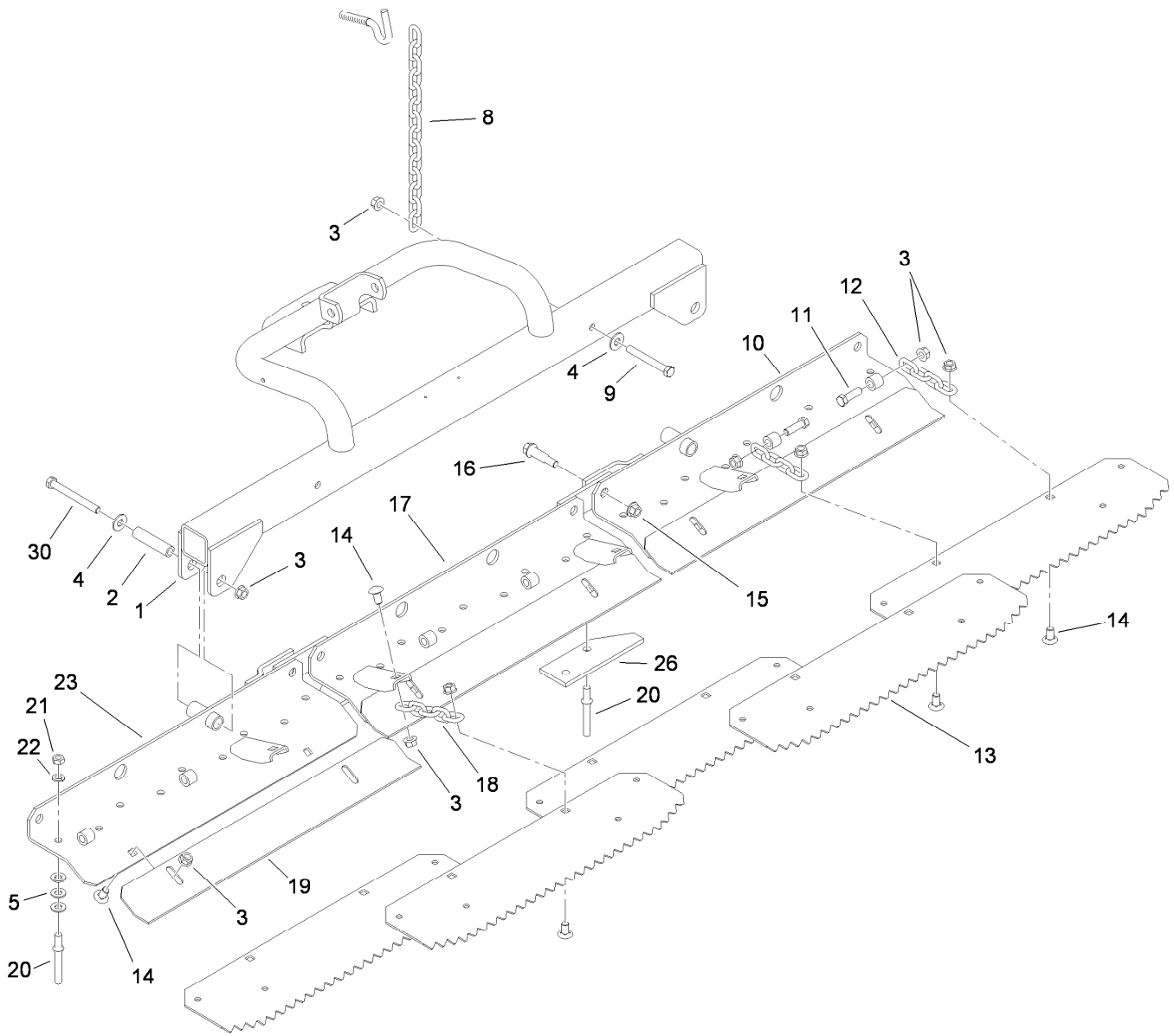
**Count on it.**

**Parts Catalog**

**Tooth Rake Kit**

**Sand Pro®**

**Model No. 08812—Serial No. 20000001 and Up**



## Tooth Rake Assembly

<i>Ref.</i>	<i>Part Number</i>	<i>Qty.</i>	<i>Description</i>	<i>Ref.</i>	<i>Part Number</i>	<i>Qty.</i>	<i>Description</i>
1	84-2680-03	1	Hanger ASM	15	32128-12	2	Nut-Lock, Flange
2	84-2350	2	Spacer-Long	16	66-0561	2	Screw-Shoulder
3	32128-21	30	Nut-HF	17	84-2390-03	1	Center Trowel Plate ASM
4	3256-4	4	Washer-Flat	18	84-2451	4	Chain-Straight, 5 Link
5	3256-24	69	Washer-Flat	19	84-2550-03	3	Trowel-Smooth
8	84-2452	2	Chain-14 Link, Straight	20	88-8450	27	Prong
9	323-14	2	Screw-HH	21	3217-7	27	Nut-Hex
10	84-2400-03	1	RH Trowel Plate ASM	22	3253-21	27	Washer-Lock
11	323-7	6	Screw-HH	23	84-2360-03	1	LH Trowel Plate ASM
12	84-2450	6	Chain-Straight, 4 Link	26	88-8440-03	2	Plate-Tipper
13	84-2280-03	5	Rake-Finishing	30	323-15	2	Screw-HH
14	3231-21	20	Screw-CARR				

# Attachments and Accessories

## For 08812 Tooth Rake, Sand Pro

<b>Product Name</b>	<b>Model/Part</b>
Rake-Spring.....	08813
Mounting Kit.....	08814
Brush Kit.....	08816
Weight Kit .....	115-4333
Pivot Trowel.....	119-7158



**Count on it.**