



Count on it.

Parts Catalog

Z580 Z Master®

**With 60in TURBO FORCE® Side Discharge
Mower**

Model No. 74253—Serial No. 280000001 and Up

Ordering Replacement Parts

To order replacement parts, please supply the part number, the quantity, and the description of each part desired.

Understanding Reference Numbers

Each identified part in an illustration has a reference number. The reference number for a part also appears in the parts list, along with other information about the part.

This catalog uses two special reference number formats, one to indicate parts in a service assembly and another to indicate the quantity of a given part in an illustration.

Service Assembly Reference Numbers

Parts in service assemblies have reference numbers in the form a:b. The a represents the reference number of the entire service assembly and the b represents a sequential number unique to each part within the service assembly.

For example, a wheel assembly might be identified by reference number 6, the tire by 6:1, the valve by 6:2, and the wheel by 6:3. When you order the assembly identified by reference number 6, you receive all parts identified by reference numbers 6:1, 6:2, and 6:3. However, you may also order any part individually. Reference numbers of this type appear in illustration and in parts lists.

Reference Numbers Indicating Quantity

In an illustration, if a reference number indicates more than one part, the reference number has the form nX y. The n represents the quantity of the part, the X is the multiplication symbol, and the y represents the reference number.

For example, in an illustration, the reference number 2X 37 means that two of the parts identified by reference number 37 are indicated.

List of Abbreviations

AR: as required

ASM: assembly

BBC: blade brake control

BHTF: button head thread forming

CARR: carriage

CCW: counter clockwise

CW: clockwise

DEG: degrees

ECM: electronic control module

EXT: external

FH: flat head

GA: gauge

HD: heavy-duty

HF: hex flange

HH: hex head

HHF: hex head flange

HHFTF: hex head flange thread forming

HJ: hex jam

HLH: hex lag head

HOC: height-of-cut

HSBH: hex socket button head

HSFH: hex socket flat head

HSH: hex socket head

HWH: hex washer head

HWHTF: hex washer head thread forming

HYD: hydraulic

LH: left hand

LP: Liquid Propane

NI: nylon insert

NPTF: national pipe thread fine

PFH: phillips flat head

PPH: phillips pan head

PPHTF: phillips pan head thread forming

PRH: phillips round head

PTH: phillips truss head

PTO: power-take-off

RH: right hand

ROPS: roll-over protection system

RRB: rear roller brush

SFH: slotted fillister head

SHH: slotted hex head

SHWH: slotted hex washer head

SPH: slotted pan head

SQH: square head

SRH: slotted round head

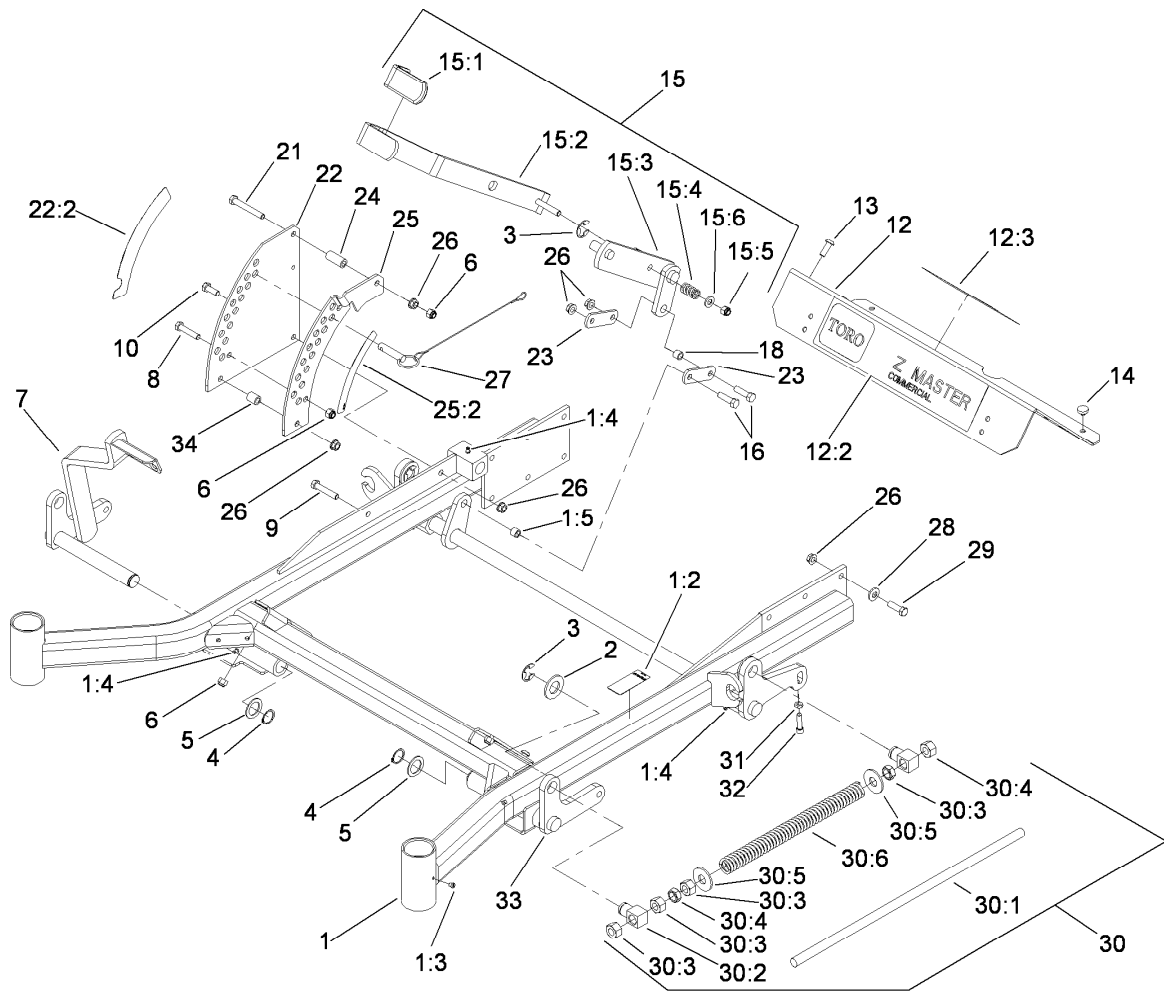
STD: standard

TAP: self tapping

TTH: torx truss head

Contents

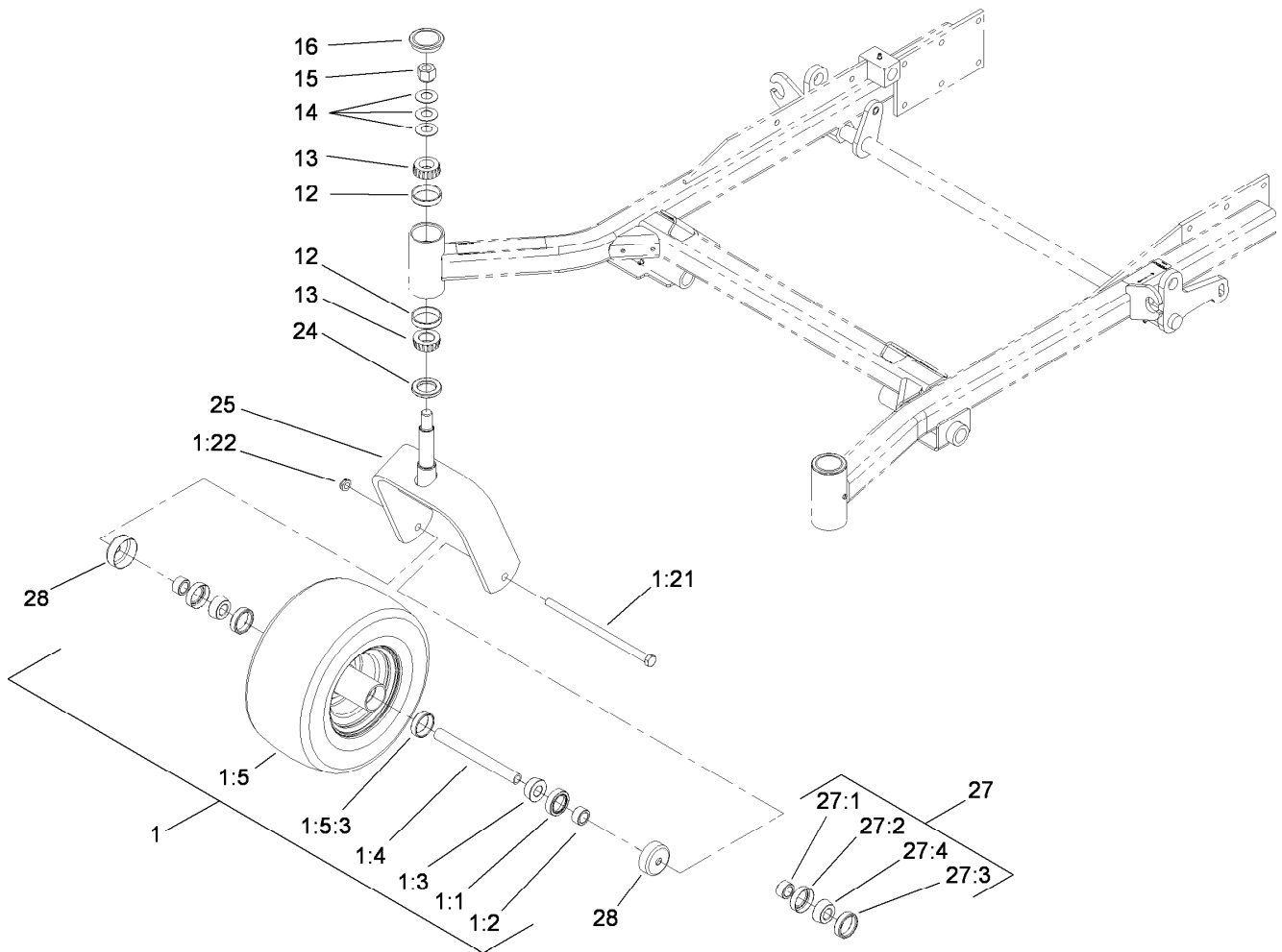
Front Frame Assembly	4
Caster Wheel and Fork Assembly	5
Traction Frame and Floor Pan Assembly	6
Seat and Roll-Over Protection System Assembly	7
Roll-Over Protection System Assembly No. 110-0877	8
Main Frame and Rear Wheel Assembly	9
Hydro Control Assembly	10
Engine, Muffler and Air Cleaner Assembly	11
Air Cleaner Assembly No. 95-5805	12
Hydro and Gearbox Assembly	13
90 Degree Gearbox Assembly No. 110-5771	14
Hydraulic Tank, Motor and Pump Assembly	15
Tandem Pump Assembly No. 110-5757	17
Hydraulic Motor Assembly No. 112-8357 (CCW)	18
Hydraulic Motor Assembly No. 112-8358 (CW)	19
Hydraulic Hose Routing Assembly	20
Fuel Tank, Lines and Filter Assembly	21
Engine Housing Assembly	22
Cooling System Assembly	23
Hood Assembly	24
Deck Connection Assembly	25
Deck Assembly	26
Deck Decal Assembly No. 108-5945	27
Spindle Assembly No. 108-7713	28
Lever Assembly No. 107-1664	29
Rubber Deflector Assembly No. 108-2792	30
Electrical Assembly	31
Cylinder and Crankcase Assembly Kawasaki FD791D-AS07	32
Piston and Crankshaft Assembly Kawasaki FD791D-AS07	33
Valve and Camshaft Assembly Kawasaki FD791D-AS07	34
Lubrication Equipment Assembly Kawasaki FD791D-AS07	35
Cooling Equipment Assembly Kawasaki FD791D-AS07	36
Electric Equipment Assembly Kawasaki FD791D-AS07	37
Control Equipment Assembly Kawasaki FD791D-AS07	38
Throttle Assembly Kawasaki FD791D-AS07	39
Air Filter and Muffler Assembly Kawasaki FD791D-AS07	40
Fuel Tank and Valve Assembly Kawasaki FD791D-AS07	41
Starter Assembly Kawasaki FD791D-AS07	42
Attachments and Accessories	43



Front Frame Assembly

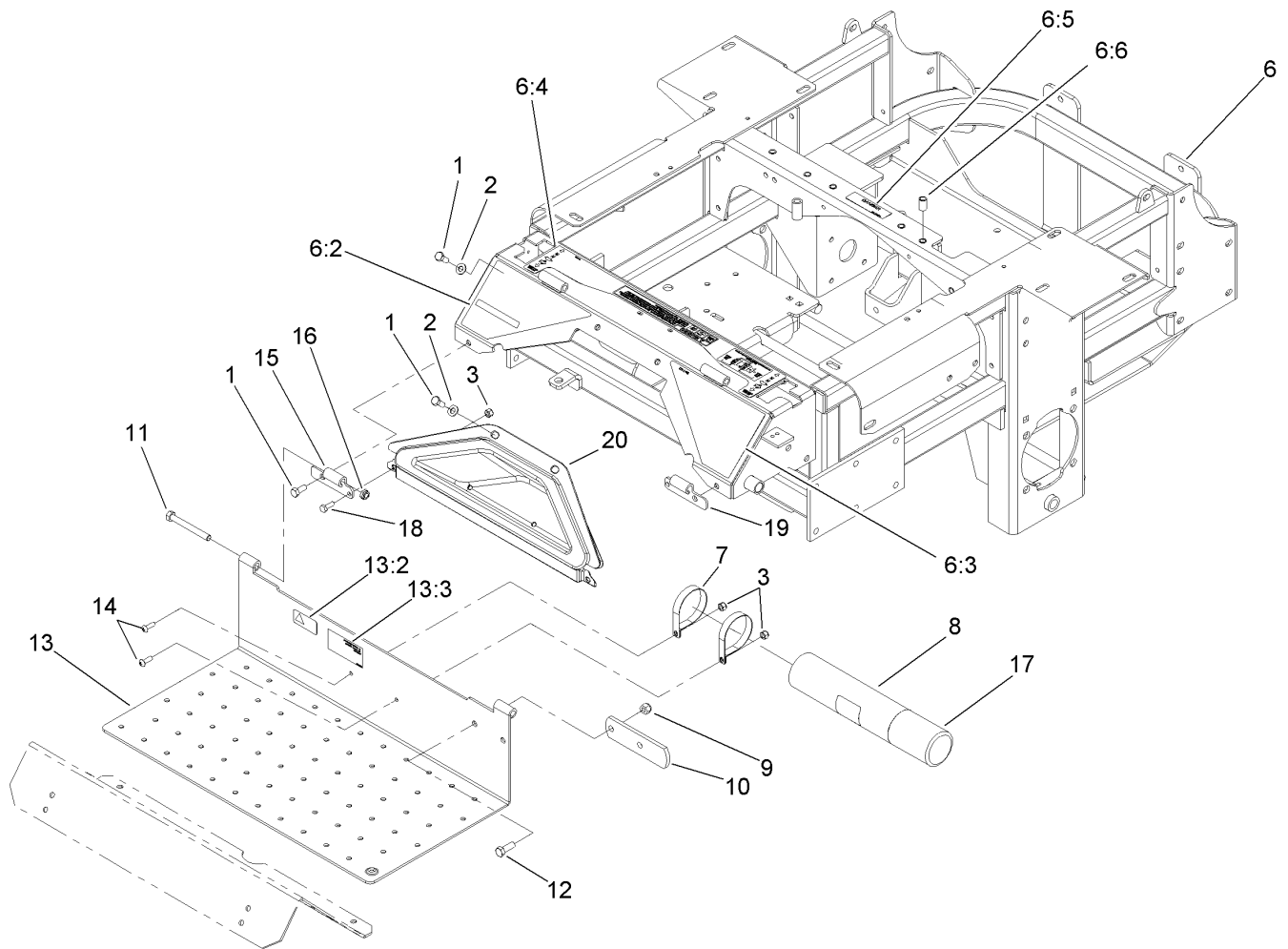
Ref.	Part Number	Qty.	Description	Ref.	Part Number	Qty.	Description
1	107-8085	1	Frame ASM	15:6	3256-24	1	Washer-Flat
1:2	107-1857	1	Decal-Brake, Parking	16	323-29	2	Screw-HH
1:3	1-811010	2	Plug	18	103-1918	1	Bushing
1:4	302-19	5	Fitting-Grease	21	323-13	1	Screw-HH
1:5	103-1918	1	Bushing	22	110-0833	1	Plate-Deck Lift, Outer
2	3256-29	4	Washer-Flat	23	1-633068	2	Arm-Lift, Deck
3	32151-103	5	Ring-Retaining, EXT	24	1-633082	1	Bushing-Lever, Lift
4	32151-29	2	Ring-Retaining	25	110-0834	1	Plate-Deck Lift, Inner
5	1-523157	2	Washer-Spacer	25:2	107-1861	1	Decal-Height, Deck
6	3296-39	6	Nut-Lock, NI	26	3290-357	17	Nut-HHF, Whiz
7	108-7786-01	1	RH Front Deck Lift ASM	27	106-9951	1	Hitch Pin ASM
8	323-9	1	Screw-HH	28	98-5975	12	Washer-Belleville
9	323-10	1	Screw-HH	29	323-7	12	Screw-HH
10	323-5	1	Screw-HH	30		2	Front Frame Spring ASM ●
12	106-9981	1	Footrest	30:1	1-633096	1	Rod-Lift, Deck
12:2	106-7451	1	Decal	30:2	1-633441	2	Swivel-Deck Mount, Rear
12:3	107-2112	1	Decal-Warning	30:3	3217-11	4	Nut-Hex
13	3274-94	4	Screw-HSBH	30:4	3218-6	2	Nut-Jam
14	1-513658	2	Bumper	30:5	3256-7	2	Washer-Flat
15	110-5860	1	Deck Lift Handle ASM	30:6	1-633064	1	Spring-Support, Deck
15:1	1-633295	1	Grip-Lever, Lift	31	3218-2	2	Nut-Jam
15:2	103-2083	1	Lever-Lift	32	3274-18	2	Screw-HSH
15:3	103-2064	1	Arm-Lift, Deck	33	106-8984-01	1	LH Deck Lift ASM
15:4	1-633325	1	Spring-Compression	34	1-633080	1	Bushing-Lever, Lift
15:5	3296-39	1	Nut-Lock, NI				

● Not serviced separately



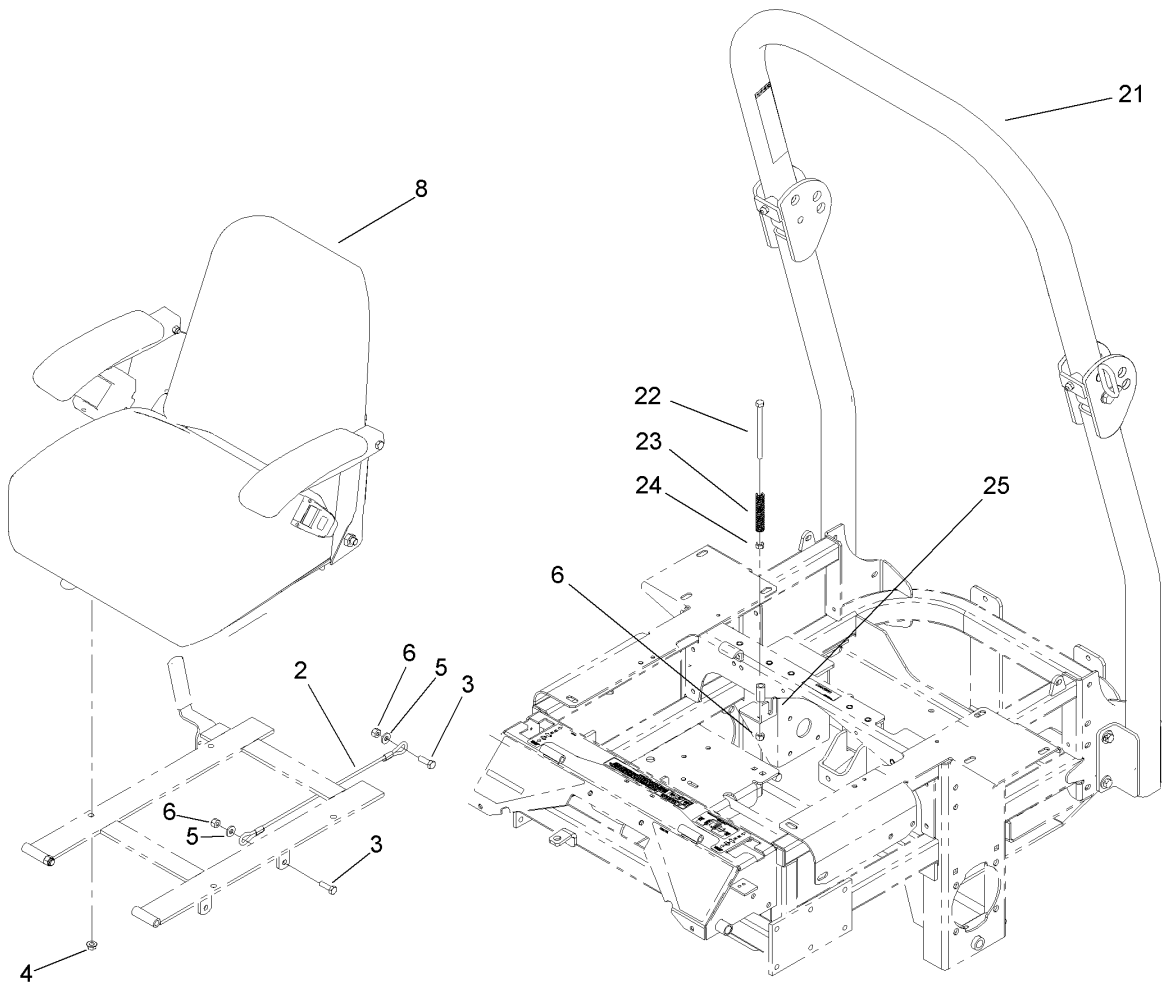
Caster Wheel and Fork Assembly

Ref.	Part Number	Qty.	Description
1	110-5746	2	Castor Wheel ASM
1:1	1-633580	2	Seal-Bearing
1:2	1-633581	2	Spacer-Bearing
1:3	1-633585	2	Bearing-Cone, Taper
1:4	1-633959	1	Spacer-Caster, Front
1:5	110-5744	1	Wheel And Tire ASM (Semi-Pneumatic)
1:5:3	1-633584	1	Bearing-Cup
1:21	325-24	1	Screw-HH
1:22	3296-45	1	Nut-Lock, NI
12	254-72	4	Bearing-Cup, Tapered
13	254-94	4	Bearing-Cone, Tapered
14	1-633508	6	Washer-Bellville
15	3296-51	2	Nut-Lock, NI
16	103-4882	2	Cap-Grease
24	1-543511	2	Seal-Grease
25	103-1474-01	2	Caster-Fork
27	110-8837	1	Caster Wheel Bearing Kit
27:1	1-633581	2	Spacer-Bearing
27:2	1-633580	2	Seal-Bearing
27:3	1-633584	2	Bearing-Cup
27:4	1-633585	2	Bearing-Cone, Taper
28	103-2768	4	Guard-Seal



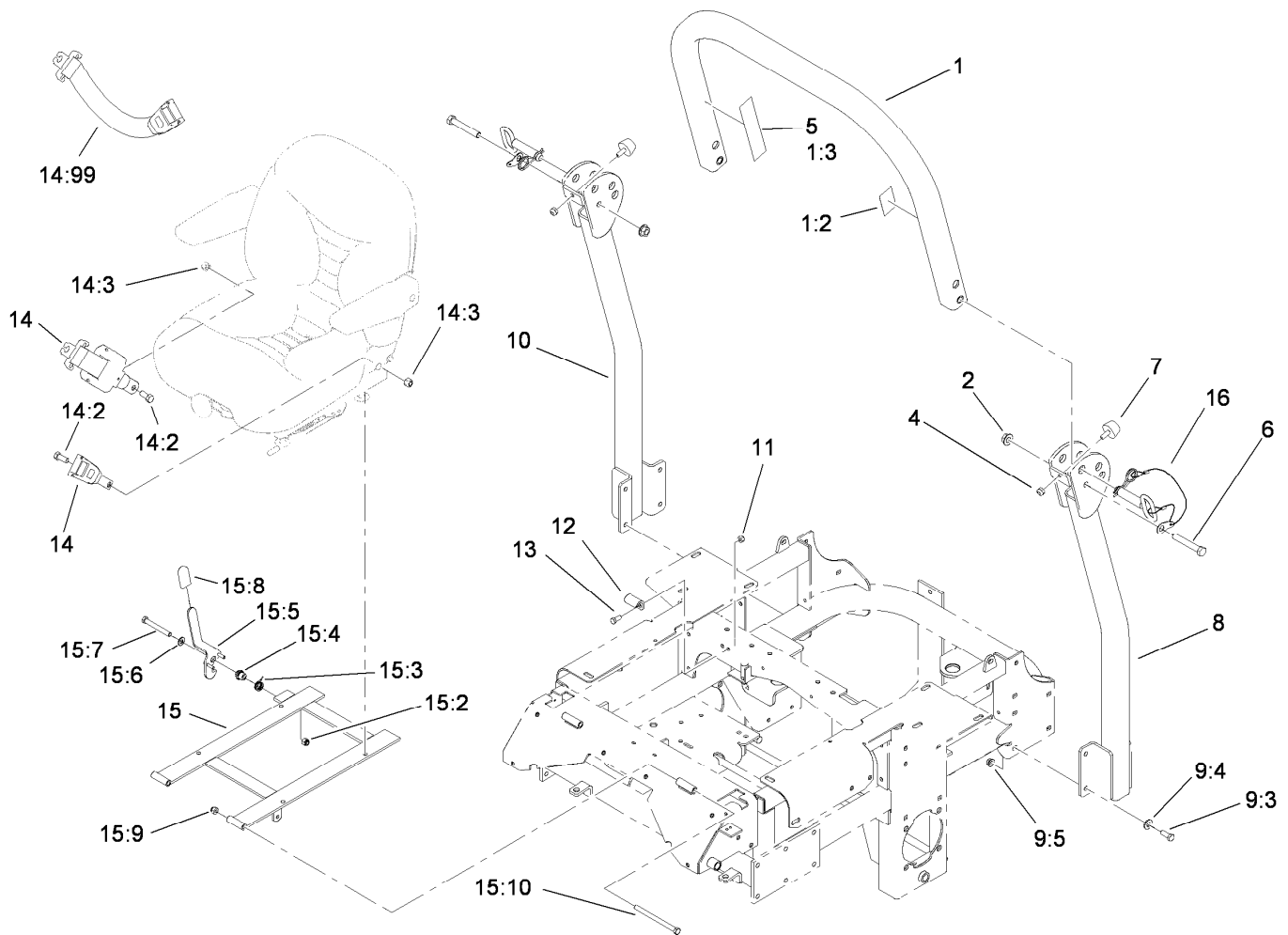
Traction Frame and Floor Pan Assembly

<i>Ref.</i>	<i>Part Number</i>	<i>Qty.</i>	<i>Description</i>	<i>Ref.</i>	<i>Part Number</i>	<i>Qty.</i>	<i>Description</i>
1	322-43	6	Screw-HH	11	323-20	2	Screw-HH
2	3256-70	4	Washer-Flat	12	323-6	2	Screw-HH
3	3296-42	4	Nut-Lock, NI	13	107-1858	1	Floorpan
6	110-6212	1	Main Frame ASM	13:2	98-4387	1	Decal-Protection, Ear
6:2	106-9989	1	Decal-Warning	13:3	107-1864	1	Decal-Location, Manual
6:3	106-7492	1	Decal-Danger	14	3258-166	2	Screw-PRH
6:4	110-0819	1	Decal-Console, Top	15	106-7488-03	1	Hinge-Floorpan, LH
6:5	98-5954	1	Decal-Cover, Missing	16	3296-59	2	Nut-Lock, NI
6:6	32148-11	7	Insert-Threaded	17	104-7048	1	Cap-Housing
7	107-1865	2	R-Clamp	18	321-4	2	Screw-HH
8	104-7050	1	Tube-Manual	19	106-7489-03	1	Hinge-Floorpan, RH
9	3296-39	2	Nut-Lock, NI	20	106-7498	1	Pocket
10	1-633964-03	1	Stop-Brake, Park				



Seat and Roll-Over Protection System Assembly

<i>Ref.</i>	<i>Part Number</i>	<i>Qty.</i>	<i>Description</i>
2	98-4371	1	Cable-Seat
3	322-5	2	Screw-HH
4	32128-20	4	Nut-HF
5	1-613235	2	Washer
6	3296-29	5	Nut-Lock, NI
8	110-0446	1	Seat ASM
21	110-0877	1	ROPS Kit
22	322-38	1	Screw-HH
23	1-523415	1	Spring-Switch, Seat
24	3217-6	1	Nut-Hex
25	114-1500-03	1	Plate-Switch, Seat

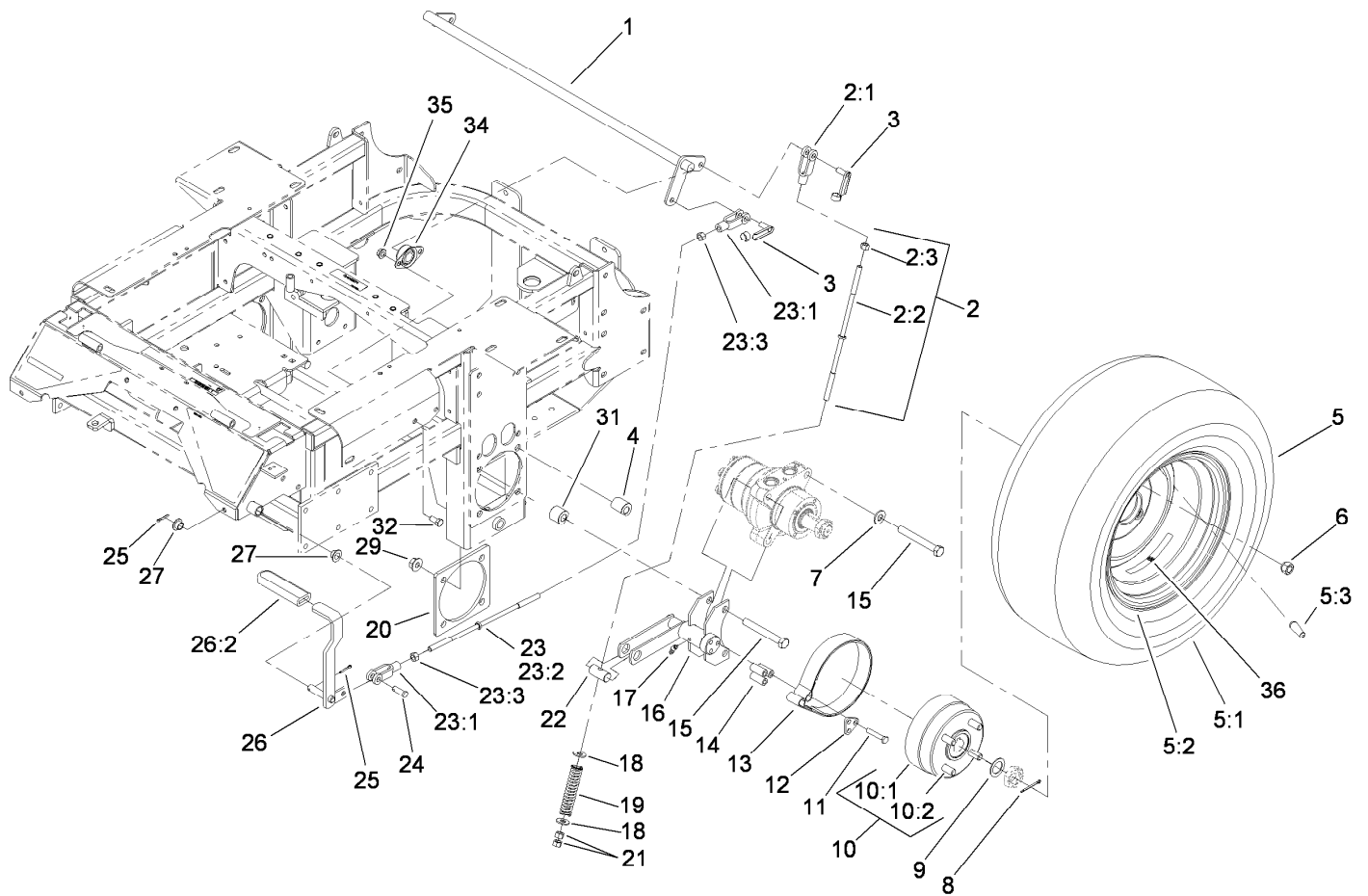


Roll-Over Protection System Assembly No. 110-0877

Ref.	Part Number	Qty.	Description	Ref.	Part Number	Qty.	Description
1		1	Upper Tube ASM ■	12	107-3058	1	Catch-Latch, Seat
1:2	107-2101	1	Decal-ROPS	13	322-3	2	Screw-HH
1:3	107-2102	1	Decal-Warning, Folding ROPS	14	110-0883	1	Retractable Seatbelt Kit
2	32128-23	2	Nut-HF	14:2	3212-4	2	Screw-HH
4	3296-73	2	Nut-Lock, NI	14:3	3296-7	2	Nut-Lock
5	107-3069	1	Decal-Warning, Folding ROPS	14:99	109-6226	1	Seat Belt Extension Kit
6	325-13	2	Screw-HH	15	110-0874	1	Seatframe ASM
7	109-2365	2	Bumper-Rubber (W/Stud)	15:2	3296-39	1	Nut-Lock, NI
8		1	Tube-Support, LH ■	15:3	107-0076	1	Spring-Torsion
9		1	Bag-Bolt, ROPS ●	15:4	107-0075	1	Bushing-Latch, Seat
9:3	323-6	8	Screw-HH	15:5	107-3083	1	Latch ASM
9:4	98-5975	8	Washer-Belleville	15:6	3256-24	1	Washer-Flat
9:5	3290-357	8	Nut-HHF, Whiz	15:7	323-20	1	Screw-HH
10		1	Tube-Support, RH ■	15:8	103-4434	1	Grip-Lever
11	3296-29	2	Nut-Lock, NI	15:9	3296-39	2	Nut-Lock, NI
				15:10	323-39	2	Screw-HH
				16	103-4553	2	ROPS Fold Pin ASM

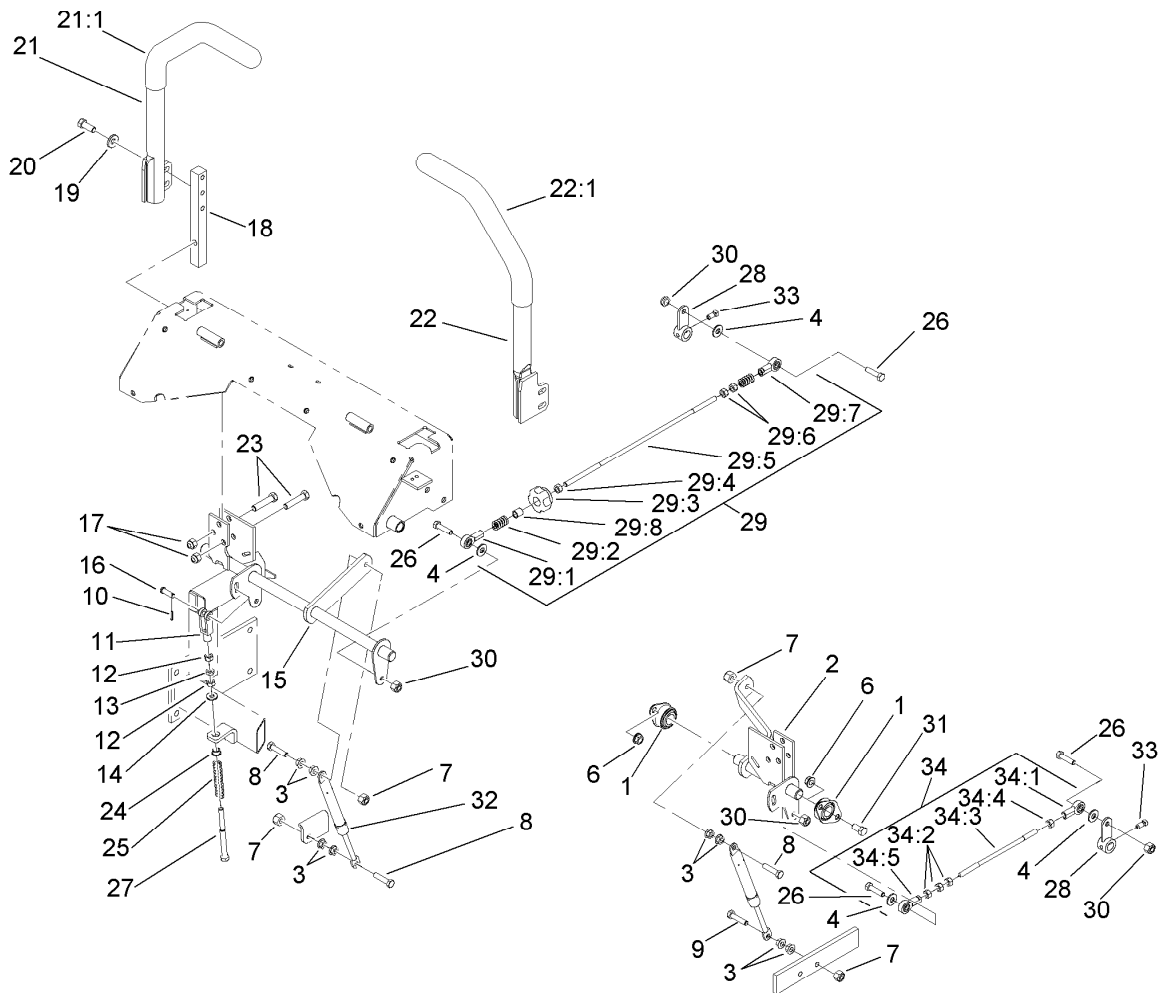
● Not illustrated

■ Not serviced separately



Main Frame and Rear Wheel Assembly

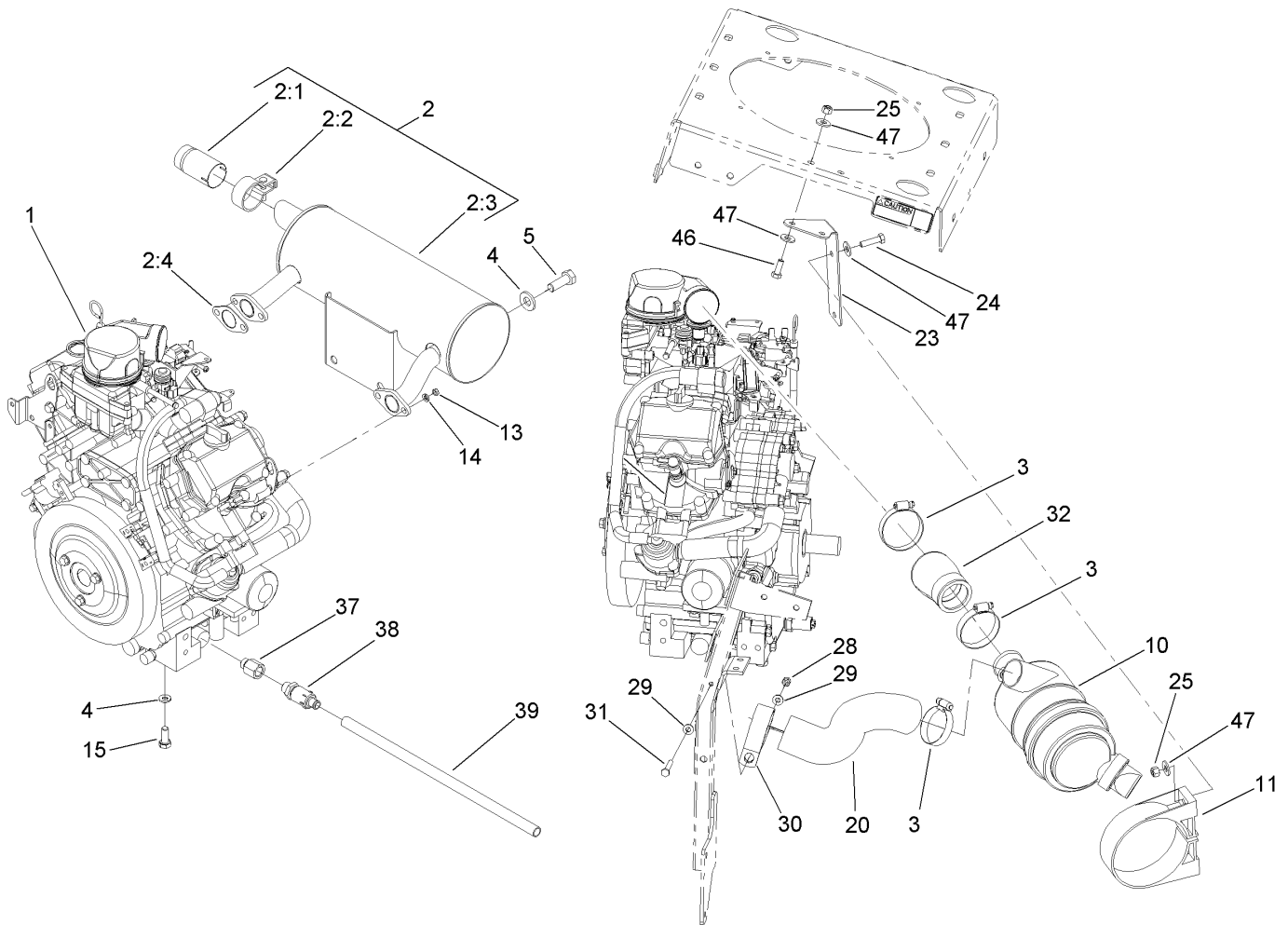
Ref.	Part Number	Qty.	Description	Ref.	Part Number	Qty.	Description
1	1-632217-03	1	Shaft-Brake	16	103-0352-03	2	Bracket-Brake
2	108-5963	2	Brake Rod ASM	17	1481	2	Fitting-Grease
2:1	1-633131	1	Yoke-Linkage, Brake	18	3256-4	4	Washer-Flat
2:2	108-5980	1	Rod-Brake	19	1-633454	2	Spring-Brake
2:3	3219-3	1	Nut-Hex	20	103-3271-03	2	Plate-Reinforcement
3	103-2399	3	Pin-Spring, Clevis	21	3219-3	4	Nut-Hex
4	114-1185	4	Spacer-Wheel, Long	22	1-633144	2	Pin-Trunion
5	1-633970	2	Wheel And Tire ASM	23	108-5962	1	Brake Rod ASM
5:1	1-633993	1	Tire	23:1	1-633131	2	Yoke-Linkage, Brake
5:2	1-633992	1	Wheel Rim	23:2	1-633477	1	Rod-Brake
5:3	232-27	1	Stem-Valve	23:3	3219-3	2	Nut-Hex
6	242-50	8	Nut-Lug	24	1-808285	1	Pin-Clevis
7	87-7270	4	Washer-Thrust	25	3272-10	2	Pin-Cotter
8	1-806800	2	Pin-Cotter	26	1-634500	1	Brake Lever ASM
9	1-523157	2	Washer-Spacer	26:2	1-633268	1	Grip-Lever
10	103-0590	2	Hub And Wheel ASM	27	1-513140	2	Bearing-Control
10:1	103-0589	1	Wheel Hub ASM	29	32128-49	8	Nut-HHF
10:2	1-633926	4	Stud-Wheel	31	114-1184	4	Spacer-Wheel, Short
11	322-9	6	Screw-HH	32	323-4	4	Screw-HH
12	103-0374	2	Retainer-Band, Brake	34	1-633102	2	Bearing-Flange, Side
13	103-0355	2	Band-Brake	35	3290-357	4	Nut-HHF, Whiz
14	103-0384	6	Spacer	36	109-7949	2	Decal
15	325-18	8	Screw-HH				



Hydro Control Assembly

Ref.	Part Number	Qty.	Description
1	1-633102	4	Bearing-Flange, Side
2	107-3480	1	LH Motion Control ASM
3	32128-20	10	Nut-HF
4	3256-3	4	Washer-Flat
6	3290-357	6	Nut-HHF, Whiz
7	3296-29	4	Nut-Lock, NI
8	1-403180	3	Screw-HH
9	322-41	1	Screw-HH
10	3272-5	2	Pin-Cotter
11	1-303105	2	Yoke-Adjustable
12	3219-2	4	Nut-Hex
13	3220-2	2	Nut-Jam
14	3256-2	2	Washer-Flat
15	107-3481	1	RH Motion Control ASM
16	1-808280	2	Pin-Clevis
17	3296-39	6	Nut-Lock, NI
18	103-0407	2	Arm-Shaft, Control
19	98-5975	4	Washer-Belleville
20	323-6	4	Screw-HH
21	108-7237	1	RH Lever ASM
21:1	106-9987	1	Grip-Control, Motion
22	108-7238	1	LH Lever ASM
22:1	106-9987	1	Grip-Control, Motion
23	323-9	6	Screw-HH

Ref.	Part Number	Qty.	Description
24	1-603735	2	Bushing-Flanged
25	1-603807	2	Spring-Return, Neutral
26	322-5	4	Screw-HH
27	1-603737	2	Bolt-Return, Neutral
28	107-3470-03	2	Hydraulic Control Arm ASM
29	107-3474	1	RH Control Rod ASM
29:1	1-543017	1	Balljoint-RH
29:2	1-323245	2	Spring-Compression
29:3	103-3060	1	Knob-Tracking
29:4	3219-2	1	Nut-Hex
29:5	107-3472	1	Rod-Control, RH
29:6	1-804524	2	Nut
29:7	1-633152	1	Balljoint-LH
29:8	103-1166	1	Spacer-Tube, Pump Link
30	3296-47	4	Nut-Lock, NI
31	323-4	6	Screw-HH
32	109-2339	2	Damper-Control, Motion
33	1-803022	2	Screw-Set
34	107-3475	1	LH Control Rod ASM
34:1	1-543017	1	Balljoint-RH
34:2	3219-2	3	Nut-Hex
34:3	107-3473	1	Rod-Control, LH
34:4	1-804524	1	Nut
34:5	1-633152	1	Balljoint-LH



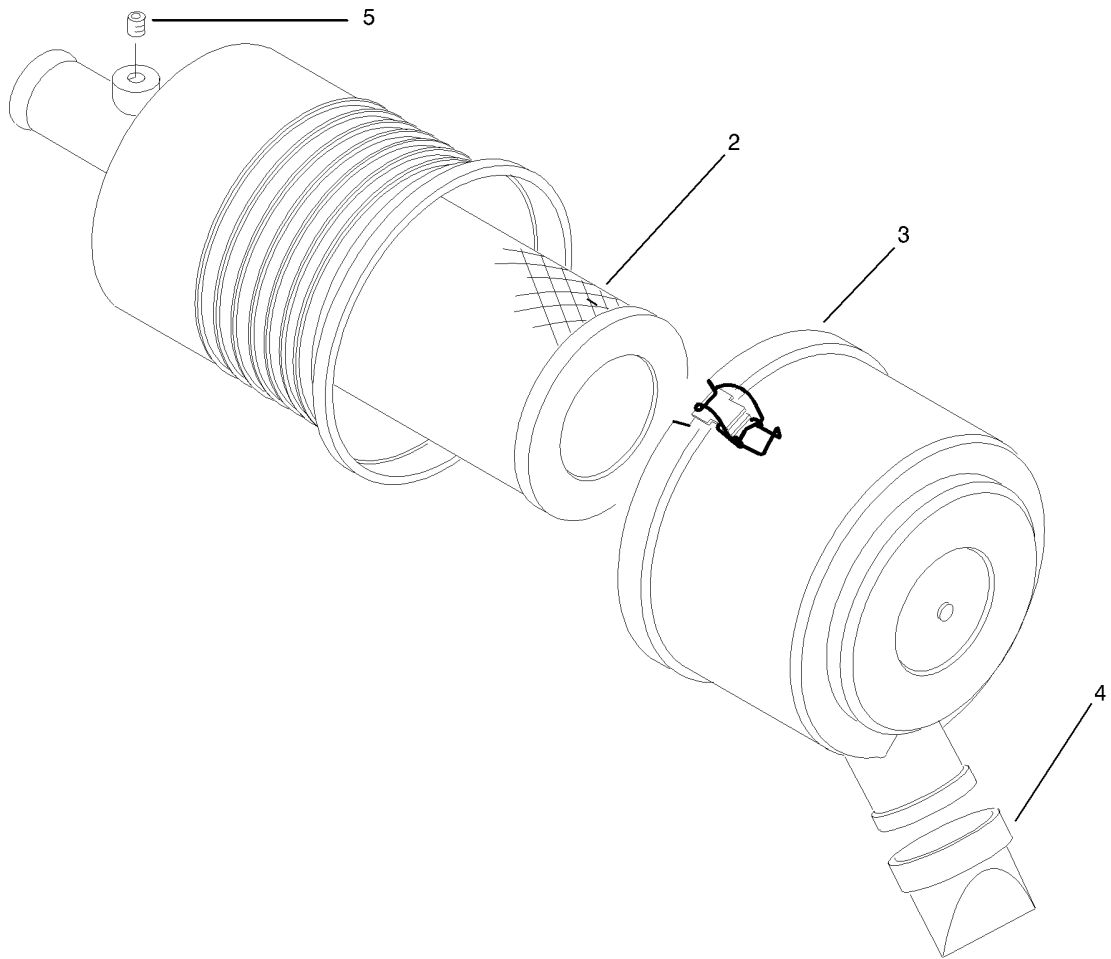
Engine, Muffler and Air Cleaner Assembly

Ref.	Part Number	Qty.	Description
1		1	Engine-Kawasaki, Fd791D-As ●■
2	105-1678	1	Muffler Kit (W/ Arrester)
2:1	103-1511	1	Arrestor-Spark
2:2	103-1512	1	Clamp-Muffler
2:3	103-2759	1	Muffler
2:4	103-1564	2	Gasket-Exhaust
3	2412-42	3	Clamp-Hose
4	98-5975	6	Washer-Belleville
5	33115-020	2	Screw-HH
10	95-5805	1	Air Cleaner ASM
11	95-5806	1	Bracket-Mounting
13	33013-00	2	Nut-Hex
14	1-805004	2	Washer-Lock
15	33115-025	4	Screw-HH

Ref.	Part Number	Qty.	Description
20	110-6227	1	Hose-Air Cleaner, Inlet
23	110-6226-03	1	Bracket-Mount, Ac
24	322-6	2	Screw-HH
25	3296-29	4	Nut-Lock, NI
28	3296-42	1	Nut-Lock, NI
29	3256-22	2	Washer-Flat
30	110-6245	1	Clamp-R
31	321-10	1	Screw-HH
32	110-6222	1	Hose-Air Cleaner, Outlet
37	109-0878	1	Adapter
38	92-6877	1	Valve-Drain, Oil
39	106-7022	1	Tube-Drain, Oil
46	322-4	2	Screw-HH
47	3256-3	8	Washer-Flat

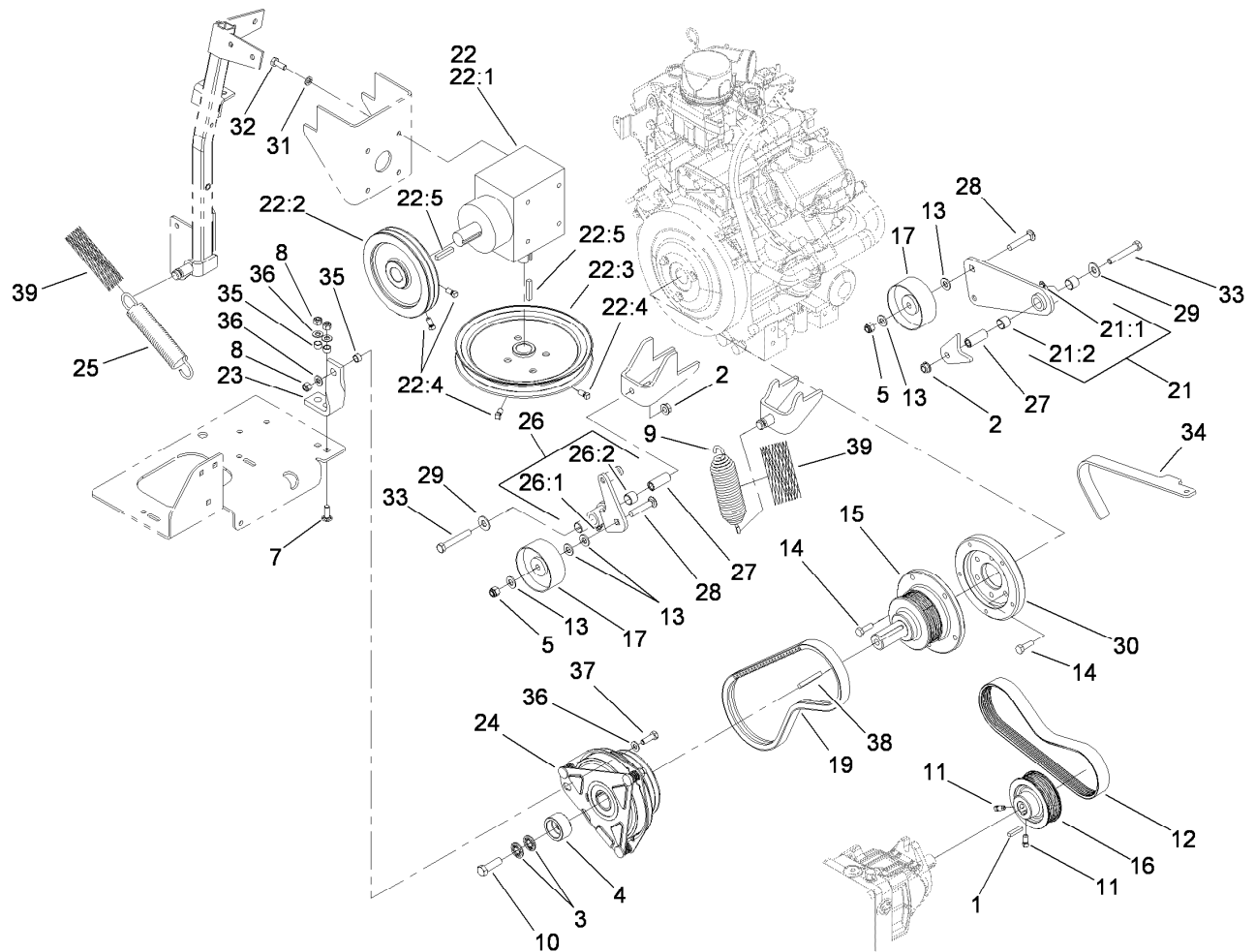
● Not serviced separately

■ Obtain parts from www.kawpowerepc.com



Air Cleaner Assembly No. 95-5805

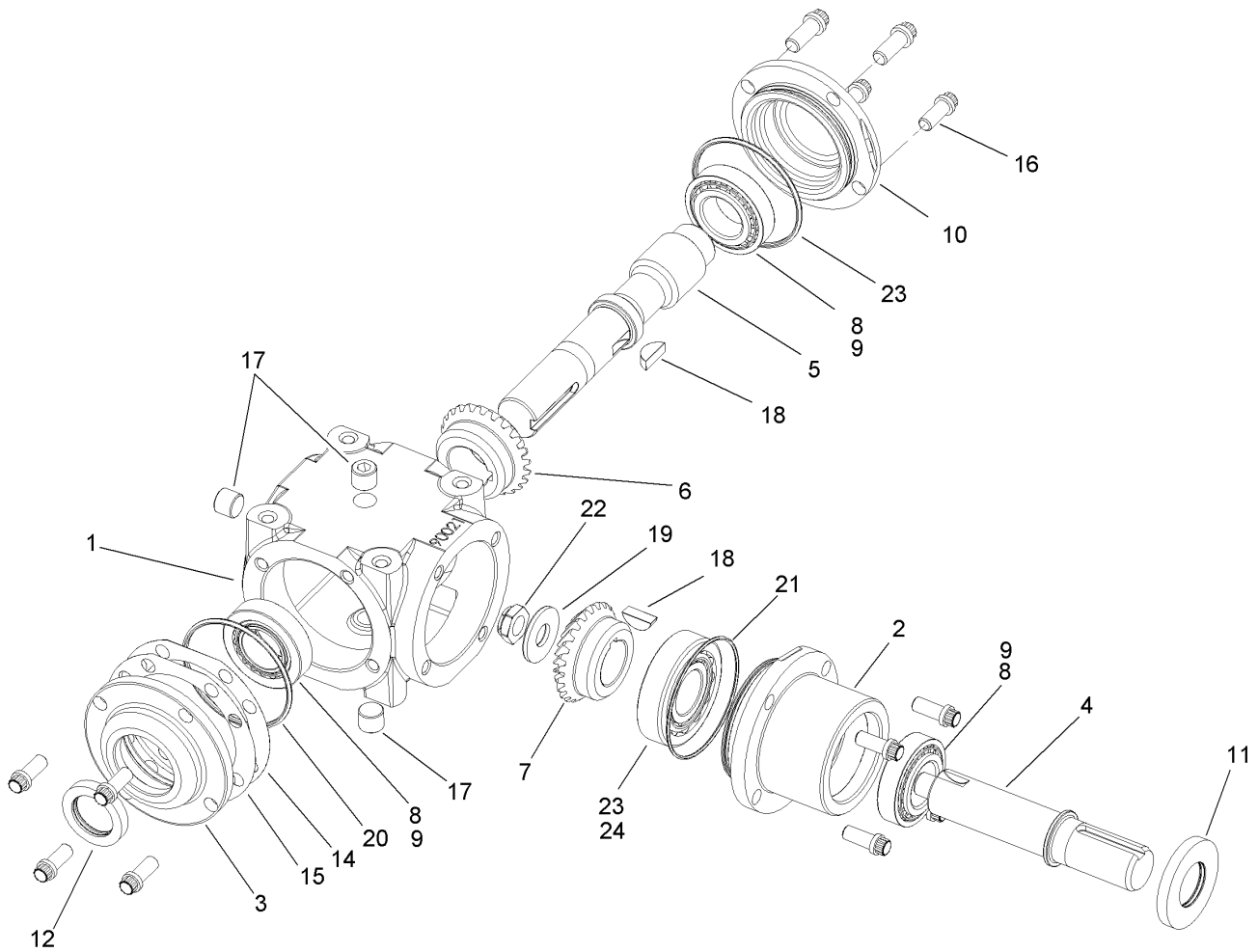
<i>Ref.</i>	<i>Part Number</i>	<i>Qty.</i>	<i>Description</i>
2	108-3811	1	Filter-Air
3	94-3652	1	Cover ASM
4	87-9400	1	Valve-Vacuator
5	285-17	1	Plug-Pipe



Hydro and Gearbox Assembly

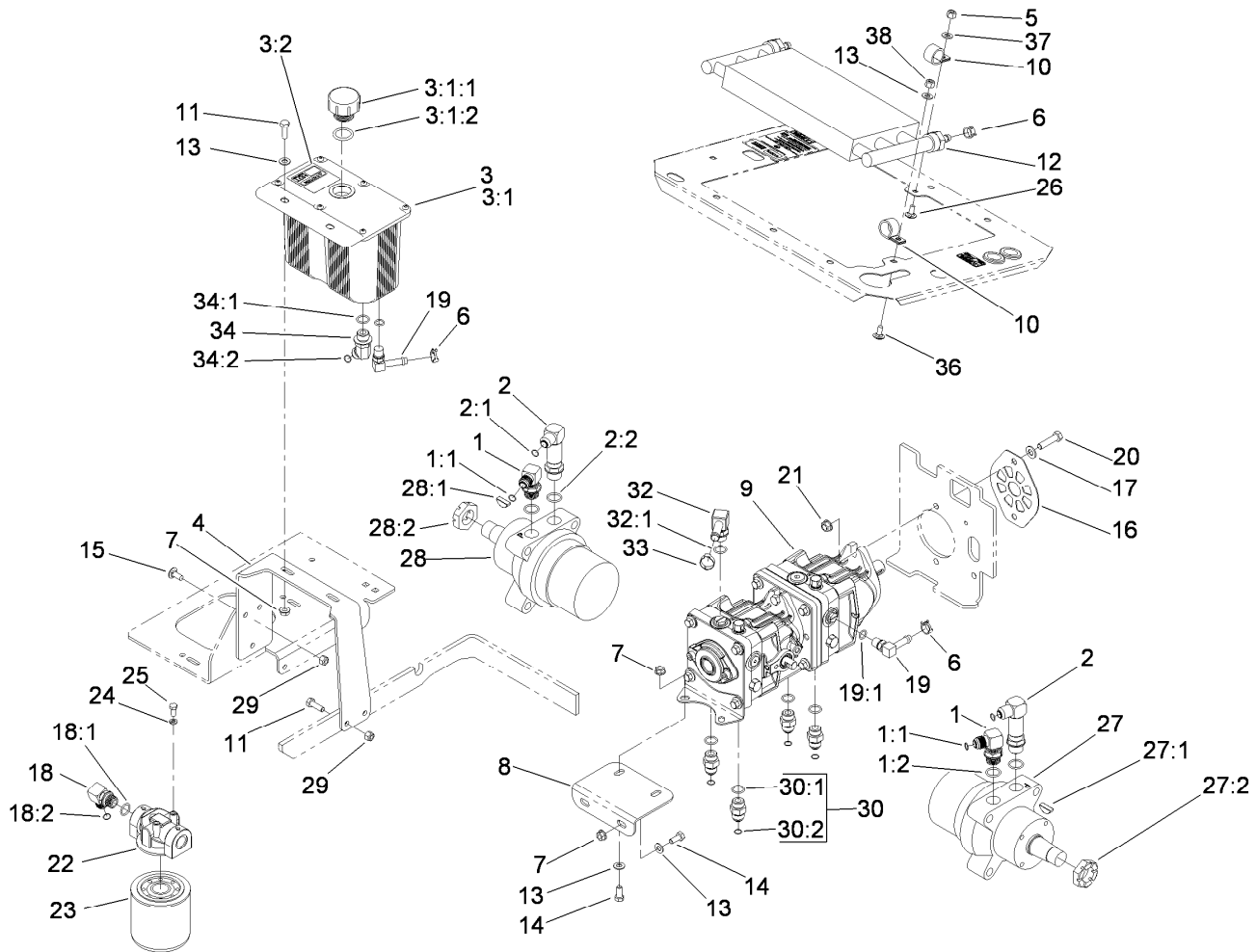
Ref.	Part Number	Qty.	Description	Ref.	Part Number	Qty.	Description
1	5-0698	1	Key	22:3	110-0892	1	Pulley
2	3290-357	2	Nut-HHF, Whiz	22:4	1-803022	4	Screw-Set
3	1-603610	2	Washer-Spring	22:5	67-7490	2	Key-Square
4	114-8152	1	Retainer-Clutch	23	112-1781	1	Strap-Stop, Clutch
5	3296-39	2	Nut-Lock, NI	24	114-4405	1	Clutch-Electric
7	3230-22	2	Screw-CARR	25	1-513308	1	Spring-Idler, Deck
8	3296-29	3	Nut-Lock, NI	26	110-6215	1	Idler Arm ASM
9	109-0148	1	Spring-Extension	26:1	1481	1	Fitting-Grease
10	3212-6	1	Screw-HH	26:2	103-4681	2	Sleeve-Bearing
11	1-803022	2	Screw-Set	27	1-603044	2	Bushing
12	107-9910	1	Belt-V	28	3231-6	2	Screw-CARR
13	3256-24	5	Washer-Flat	29	3256-4	2	Washer-Flat
14	33114-025	11	Screw-HH	30	110-6249	1	Adapter-Shaft, Stub
15	112-2335	1	Stub Shaft	31	3253-4	4	Washer-Lock
16	110-3864	1	Pulley	32	322-4	4	Screw-HH
17	108-5910	2	Pulley-Flat	33	323-12	2	Screw-HH
19	110-5759	1	Belt-V	34	110-0876	1	Tool-Alignment, Pulley
21	110-6216	1	Idler Arm ASM	35	65-9820	3	Spacer
21:1	1481	1	Fitting-Grease	36	3256-23	4	Washer-Flat
21:2	103-4681	2	Sleeve-Bearing	37	322-5	1	Screw-HH
22		1	Gearbox ASM ●	38	5-1336	1	Key-Square
22:1	110-5771	1	Gearbox-90 DEG	39	114-4423	2	Cover-Spring
22:2	110-3862	1	Pulley				

● Not serviced separately



90 Degree Gearbox Assembly No. 110-5771

<i>Ref.</i>	<i>Part Number</i>	<i>Qty.</i>	<i>Description</i>
1	114-4413	1	Case
2	110-0853	1	Housing-Pinion
3	114-4414	1	Cap, End, Open
4	110-0844	1	Shaft-Pinion
5	114-4415	1	Shaft, Cross
6	110-0847	1	Gear-Shaft, Cross
7	110-0846	1	Gear-Pinion
8	110-0848	3	Bearing-Cup
9	110-0849	3	Bearing-Cone
10	100-4574	1	Cap-End, Closed
11	100-4575	1	Seal
12	110-0850	1	Seal-Shaft, Cross
14	100-4592	1	Shim-Blue, .005In
15	100-4593	1	Shim-Green, .003In
16	100-4578	12	Screw
17	100-4579	3	Plug
18	3257-33	2	Key-Woodruff
19	100-4581	1	Washer
20	100-4582	2	O-Ring
21	110-0851	1	O-Ring
22	110-0852	1	Nut Lock
23	100-5817	1	Bearing-Cup
24	100-5816	1	Bearing-Cone



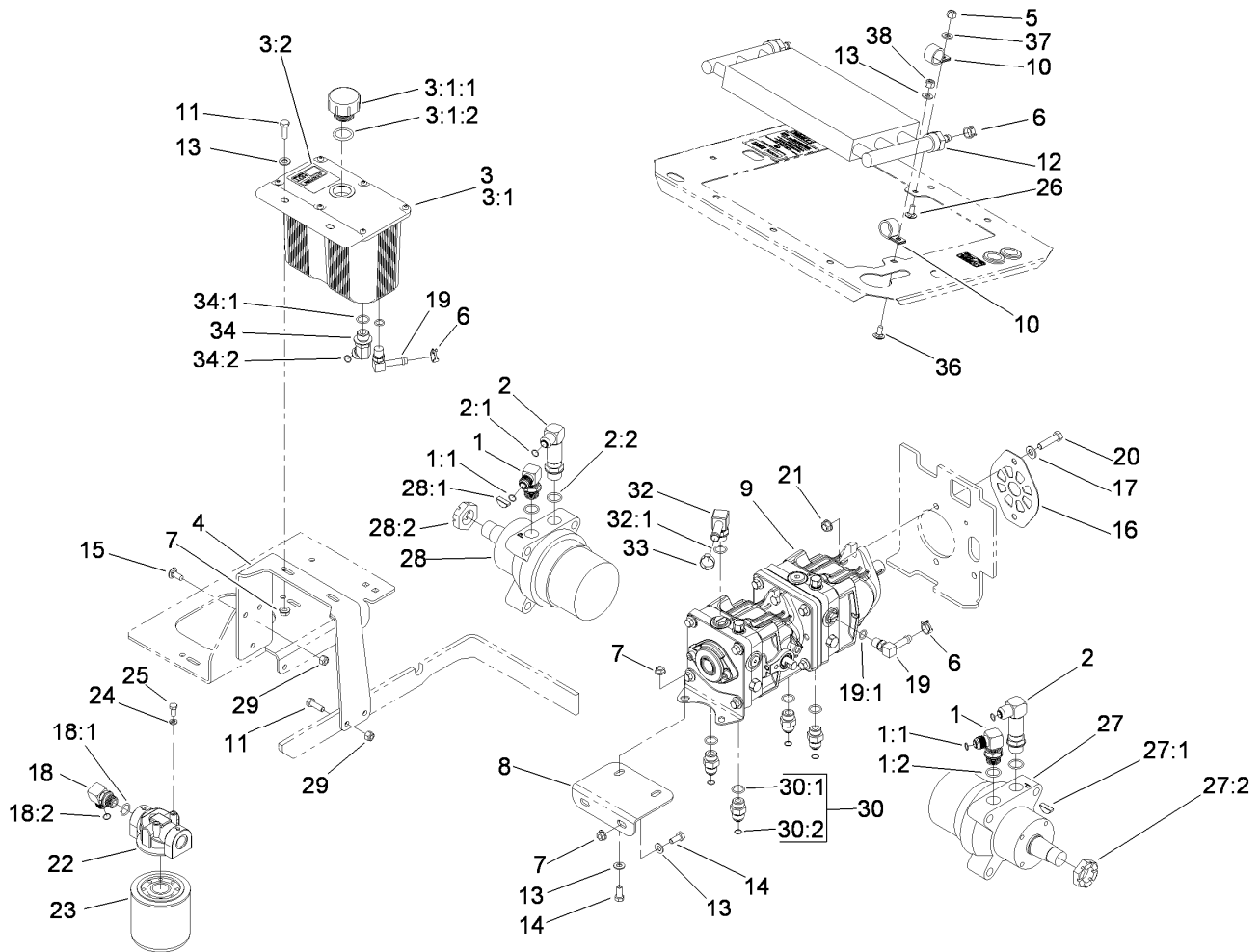
Hydraulic Tank, Motor and Pump Assembly

Ref.	Part Number	Qty.	Description
1	1-633605	2	Fitting-HYD, 90 DEG
1:1	1-603992	1	O-Ring
1:2	237-80	1	O-Ring
2	108-5323	2	Fitting-Elbow-90
2:1	1-603992	1	O-Ring
2:2	237-80	1	O-Ring
3	108-5315	1	Hydraulic Tank ASM
3:1		1	Tank-Hydraulic ■
3:1:1	103-1948	1	Cap-Reservoir, HYD
3:1:2	103-1949	1	Gasket-Cap
3:2	1-523552	1	Decal-Tank, HYD
4	108-5352-03	1	Bracket-Tank, Hydraulic
5	3296-42	1	Nut-Lock, NI
6	110-6242	4	Clamp-Hose
7	32128-20	6	Nut-HF
8	107-3462-03	1	Bracket-Pump, Front
9	110-5757	1	Tandem Pump ASM
10	110-0824	3	R-Clamp
11	322-5	3	Screw-HH
12	114-4403	1	Cooler-Oil, Hydro
13	3256-23	8	Washer-Flat
14	322-4	4	Screw-HH
15	3230-23	3	Screw-CARR
16	108-5367-03	1	Plate-Shield, Pump
17	3256-24	2	Washer-Flat
18	103-2153	1	Fitting-90 DEG

Ref.	Part Number	Qty.	Description
18:1	1-603920	1	O-Ring
18:2	1-603992	1	O-Ring
19	109-6449	2	Fitting-Elbow, 90
19:1	1-603921	1	O-Ring
20	323-8	2	Screw-HH
21	3290-357	2	Nut-HHF, Whiz
22	86-9080	1	Head-Filter
23	67-8110	1	Cartridge-Filter, Oil
24	1-805004	2	Washer-Lock
25	321-3	2	Screw-HH
26	3229-11	1	Screw-CARR
27	112-8357	1	Motor-Wheel, CCW S2
27:1	3257-42	1	Key-Woodruff
27:2	1-809036	1	Nut-HH
27:3	109-5966	1	Wheel Motor Seal Kit ●
28	112-8358	1	Motor-Wheel, CW S2
28:1	3257-42	1	Key-Woodruff
28:2	1-809036	1	Nut-HH
28:3	109-5966	1	Wheel Motor Seal Kit ●
29	3296-29	4	Nut-Lock, NI
30	1-603990	4	Fitting-Straight
30:1	1-603920	1	O-Ring
30:2	1-603992	1	O-Ring
32	108-5316	1	Fitting-Elbow, 90 DEG
32:1	237-79	1	O-Ring
33	103-2104	1	Clamp-Hose

● Not illustrated

■ Not serviced separately



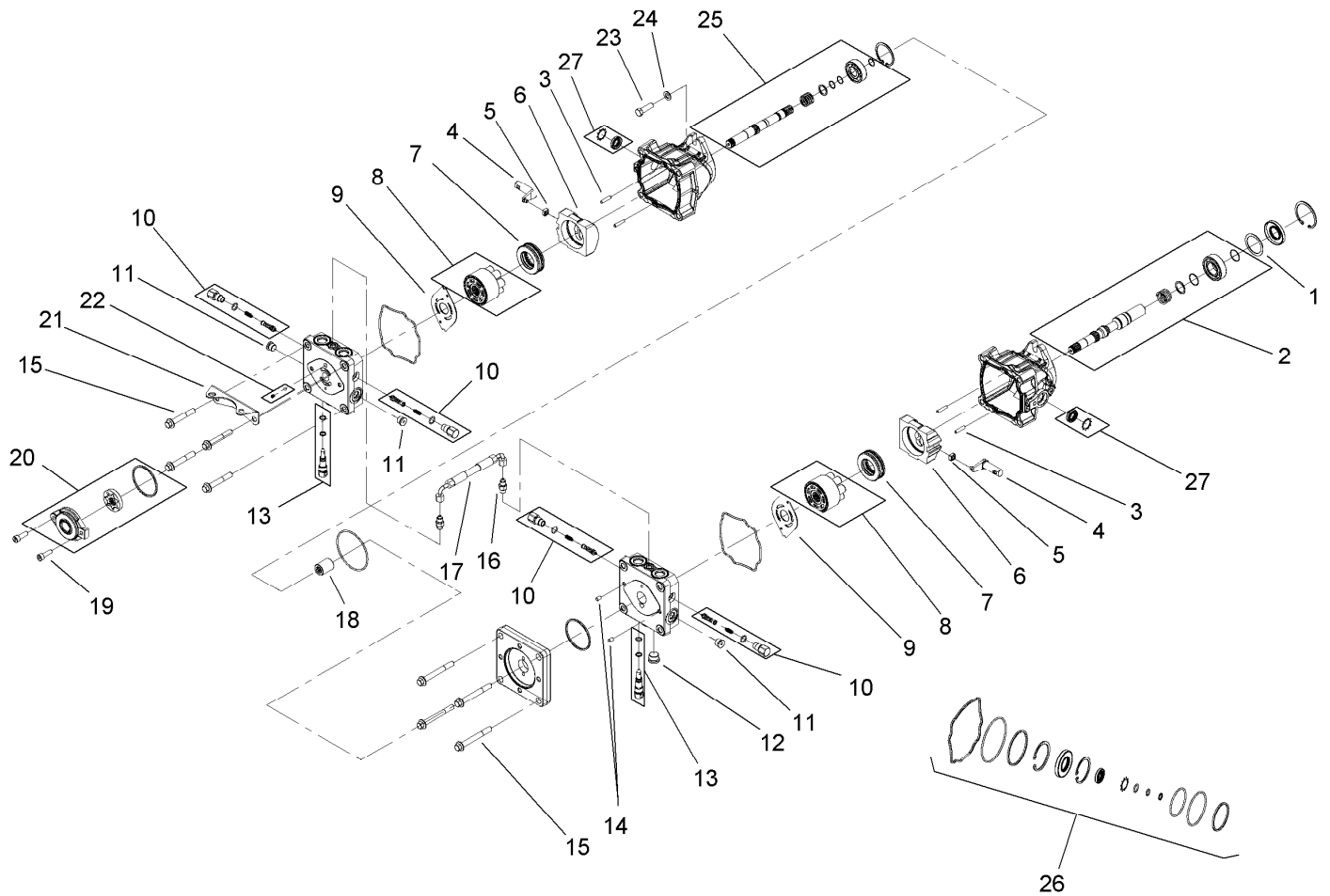
Hydraulic Tank, Motor and Pump Assembly (continued)

Ref.	Part Number	Qty.	Description
34	1-523221	1	Fitting-HYD, 45 DEG
34:1	1-603920	1	O-Ring
34:2	1-603992	1	O-Ring

Ref.	Part Number	Qty.	Description
36	3230-18	3	Screw-CARR
37	3256-22	1	Washer-Flat
38	3296-29	3	Nut-Lock, NI

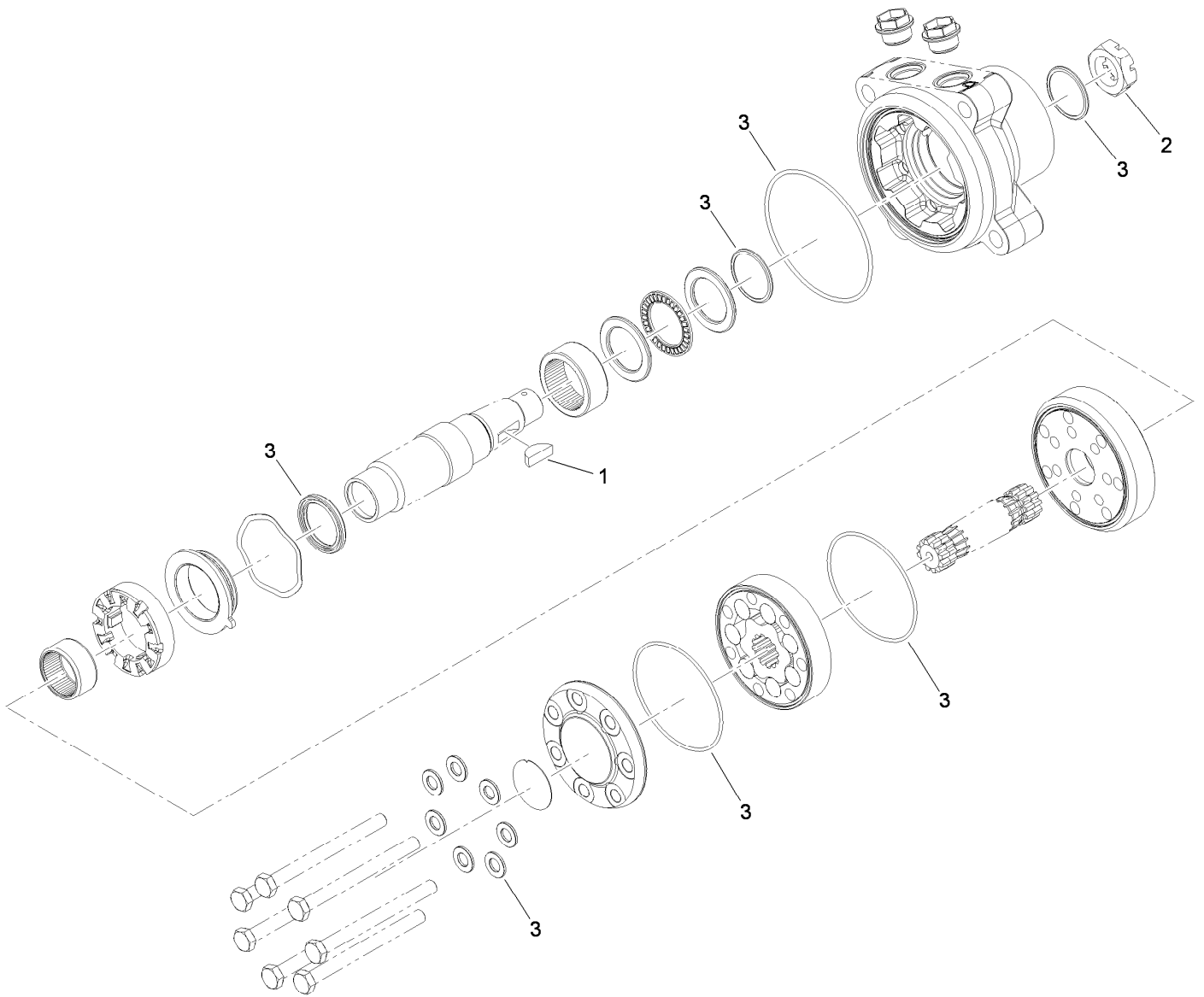
● Not illustrated

■ Not serviced separately



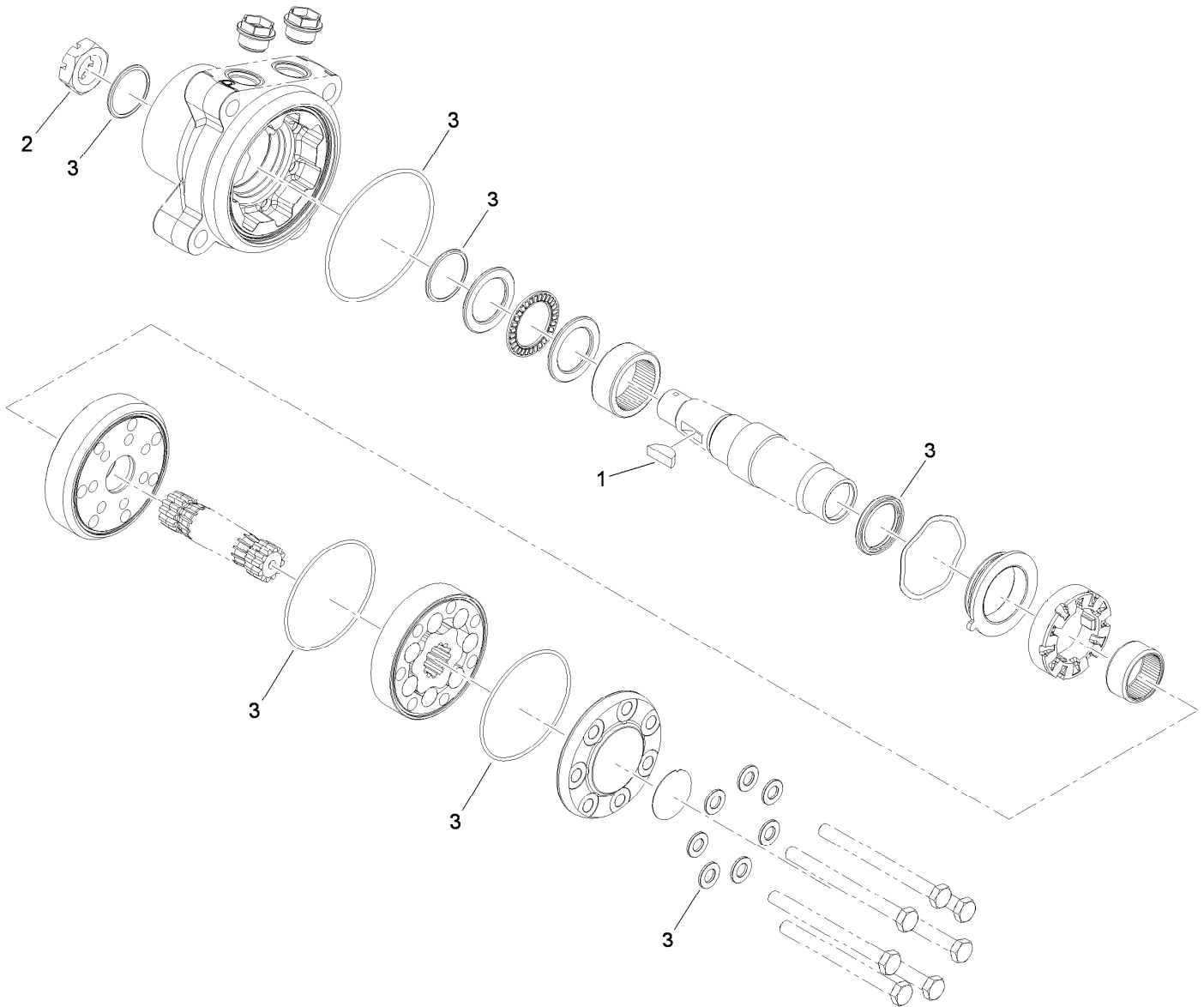
Tandem Pump Assembly No. 110-5757

<i>Ref.</i>	<i>Part Number</i>	<i>Qty.</i>	<i>Description</i>	<i>Ref.</i>	<i>Part Number</i>	<i>Qty.</i>	<i>Description</i>
1	112-4168	1	Spacer	15	112-4157	8	Bolt
2	112-4151	1	Input Pump Shaft Kit	16	112-4158	2	Fitting-Straight
3	106-8753	4	Pin-Headless, Straight	17	112-4159	1	Hose ASM
4	112-4152	2	Arm-Trunnion	18	112-4160	1	Coupling
5	94-1910	2	Guide-Slot	19	112-4161	2	Bolt
6	112-4153	2	Swashplate	20	112-4162	1	Charge Pump Kit
7	112-4154	2	Bearing-Thrust	21	112-4163	1	Bracket-Support, Pump
8	108-2112	2	Cylinder Block Kit	22	112-4164	1	Charge Relief Kit
9	108-6801	2	Plate-Valve	23	112-4165	2	Bolt-HSH
10	112-4155	4	Shock Valve Kit	24	112-4166	2	Washer
11	104-2189	3	Plug-Thread, Straight	25	112-4167	1	Second Pump Shaft Kit
12	112-4156	1	Plug-Steel	26	112-4150	1	Overhaul Seal Kit
13	106-8759	2	Bypass Valve Kit	27	114-8155	1	Trunnion Seal Kit
14	104-2170	2	Pin				



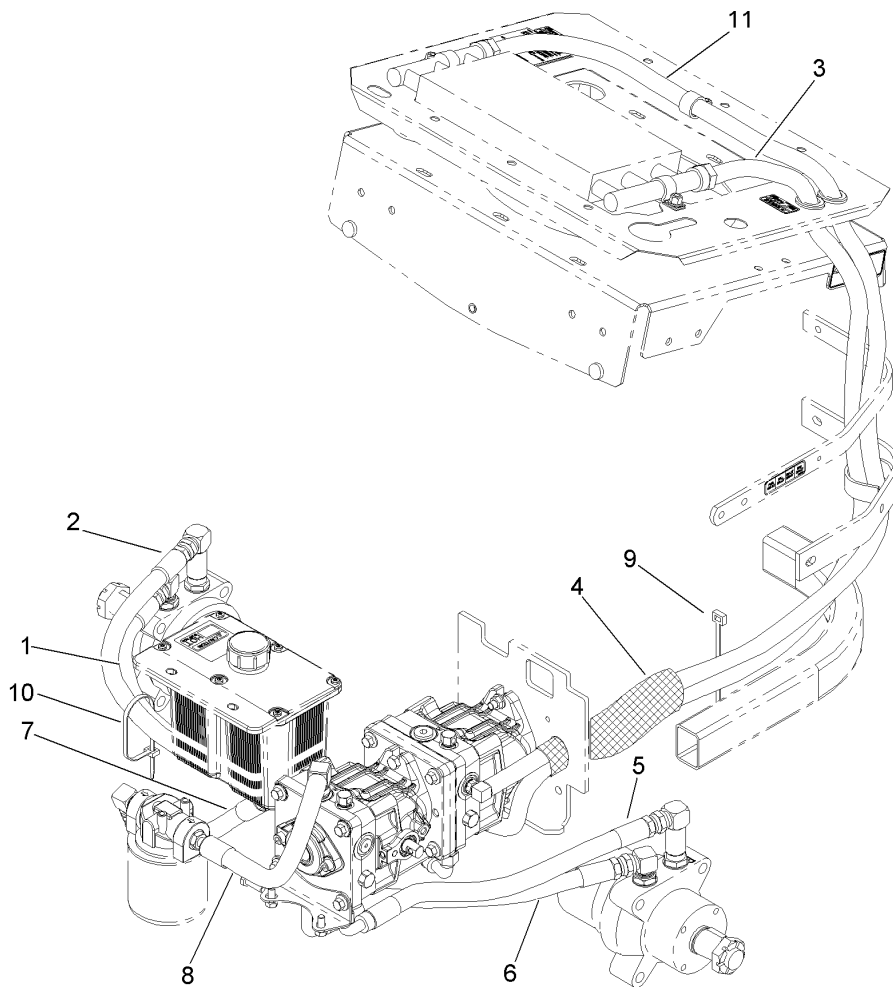
Hydraulic Motor Assembly No. 112-8357 (CCW)

<i>Ref.</i>	<i>Part Number</i>	<i>Qty.</i>	<i>Description</i>
1	3257-42	1	Key-Woodruff
2	1-809036	1	Nut-HH
3	109-5966	1	Wheel Motor Seal Kit



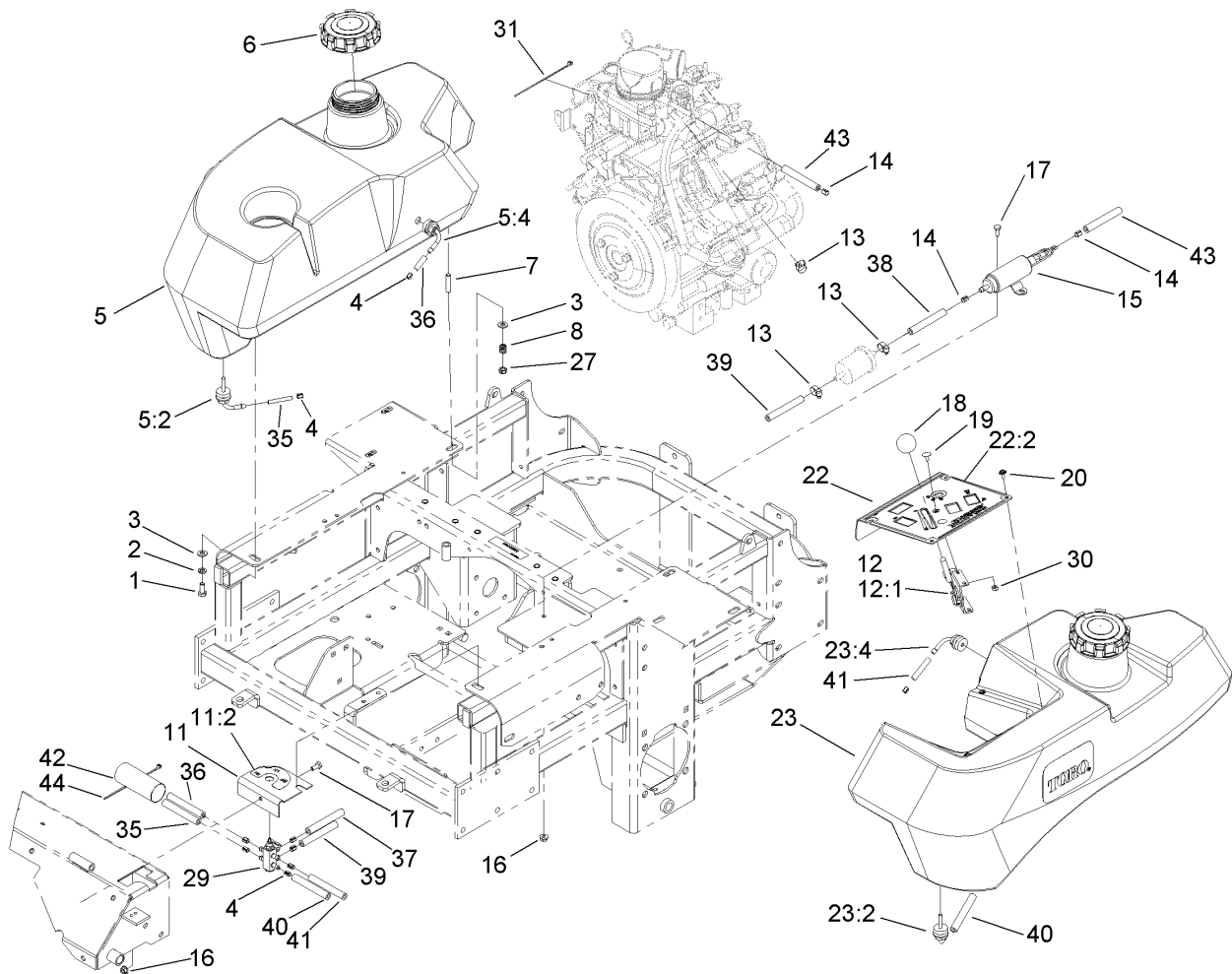
Hydraulic Motor Assembly No. 112-8358 (CW)

<i>Ref.</i>	<i>Part Number</i>	<i>Qty.</i>	<i>Description</i>
1	3257-42	1	Key-Woodruff
2	1-809036	1	Nut-HH
3	109-5966	1	Wheel Motor Seal Kit



Hydraulic Hose Routing Assembly

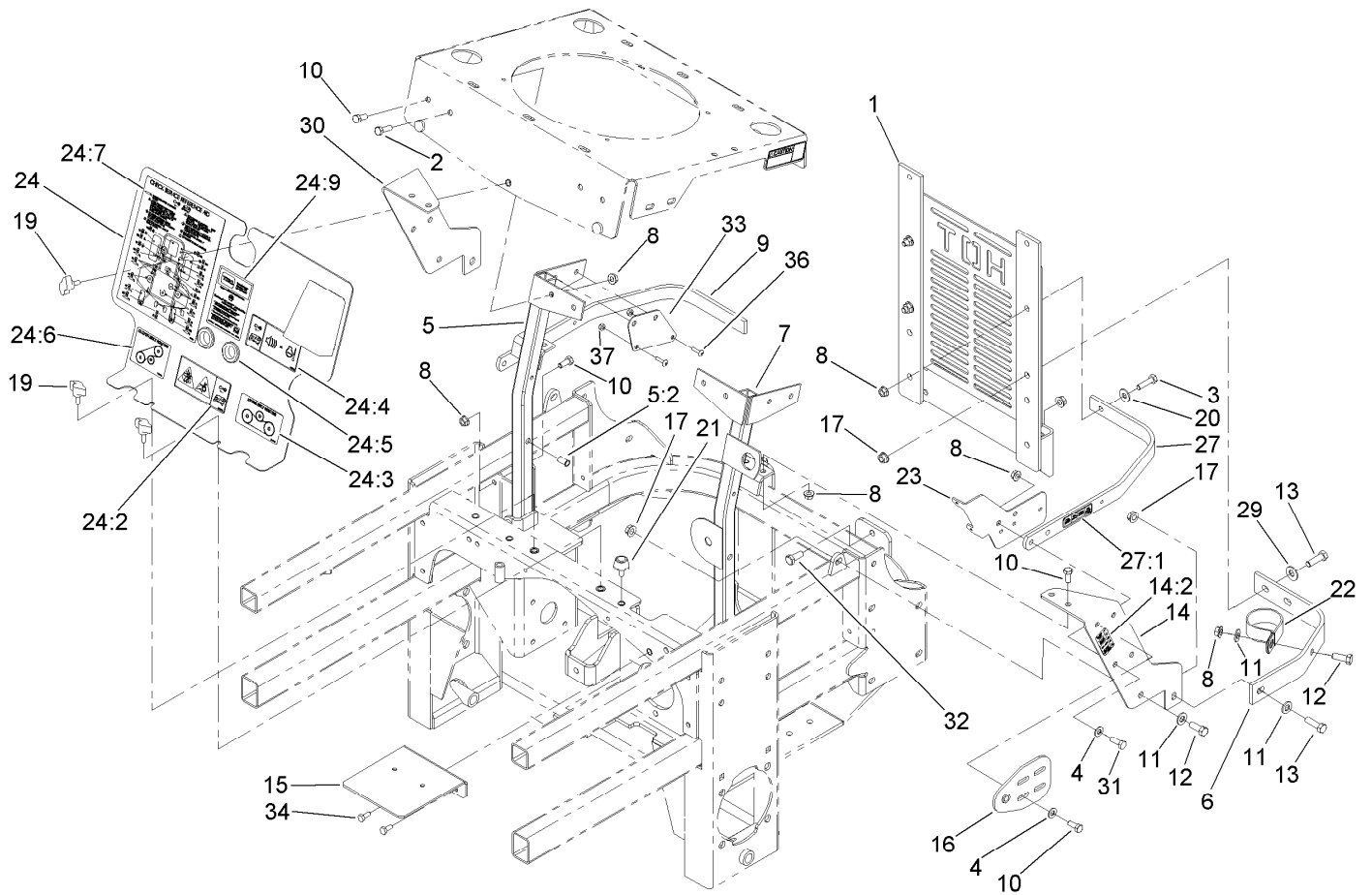
<i>Ref.</i>	<i>Part Number</i>	<i>Qty.</i>	<i>Description</i>
1	110-5789	1	Hydraulic Hose ASM
2	110-5790	1	Hydraulic Hose ASM
3	110-6238	1	Hose-Hydraulic
4	114-8201	1	Sleeve-Fabric
5	110-5792	1	Hydraulic Hose ASM
6	110-5791	1	Hydraulic Hose ASM
7	110-3854	1	Hydraulic Hose ASM
8	108-5374	1	Hydraulic Hose ASM
9	1-303335	1	Tie-Plastic
10	1-809066	1	Tie-Plastic
11	110-6239	1	Hose-Hydraulic



Fuel Tank, Lines and Filter Assembly

Ref.	Part Number	Qty.	Description
1	322-3	2	Screw-HH
2	1-805005	2	Washer-Lock
3	3256-23	8	Washer-Flat
4	1-643293	10	Clamp-Hose, Fuel
5	110-0440	1	Tank-Fuel, RH
5:2	103-2605	1	Fitting-Fuel, Bulkhead
5:4	103-2615	1	Fitting-Fuel, Bulkhead
6	109-0346	2	Cap-Fuel, Gas
7	1-633023	6	Stud
8	1-633349	6	Spring-Tank, Fuel
11	110-6247	1	Fuel Valve Bracket ASM
11:2	107-2114	1	Decal-Valve, Fuel
12	110-6234	1	Throttle Control ASM
12:1	112-2334	1	Lever-Throttle
13	2412-108	3	Clamp-Worm
14	1-643277	3	Clamp-Hose, Fuel
15	109-0928	1	Pump-Fuel
16	32128-33	3	Nut-HF
17	321-3	3	Screw-HH
18	1-603175	1	Knob-Ball
19	1-807513	2	Bolt-CARR

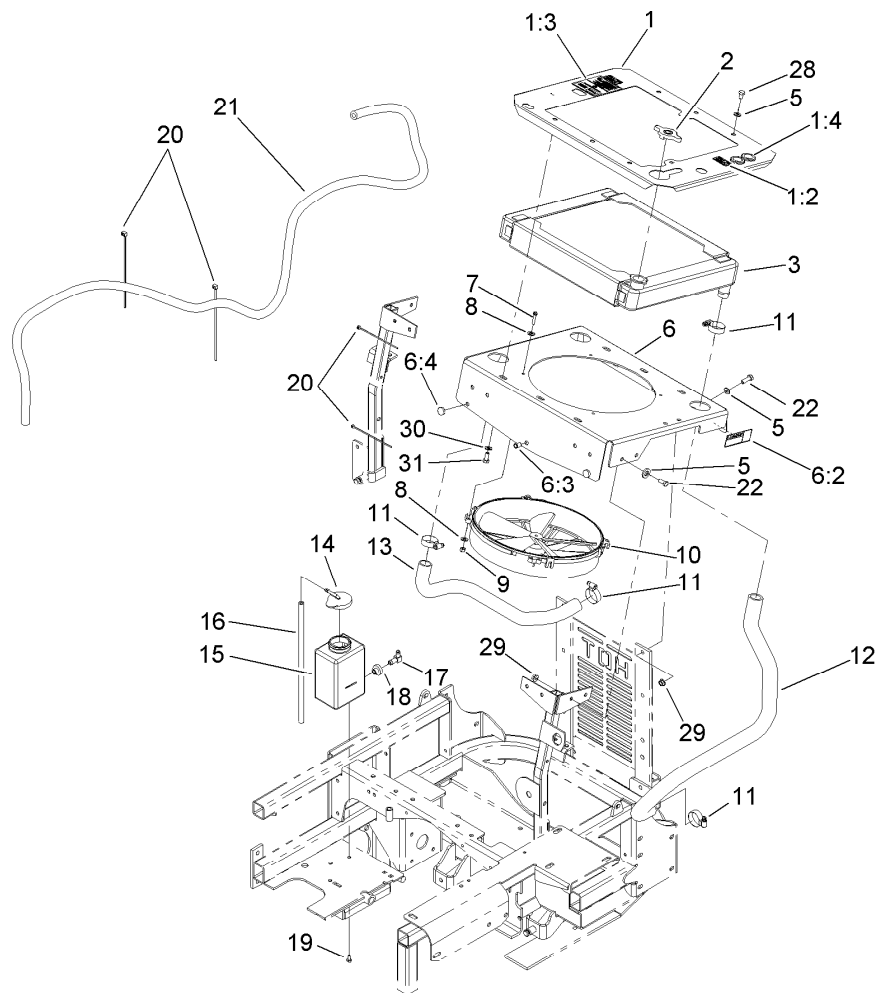
Ref.	Part Number	Qty.	Description
20	109-2661	4	Screw-PPH
22	110-6233	1	Control Panel ASM
22:2	110-5772	1	Decal-Control Panel
23	110-0441	1	Tank-Fuel, LH
23:2	103-2605	1	Fitting-Fuel, Bulkhead
23:4	103-2615	1	Fitting-Fuel, Bulkhead
27	3296-47	6	Nut-Lock, NI
29	1-643234	1	Valve-Fuel, Dual Flow
30	3296-2	2	Nut-Lock, NI
31	1-303287	1	Tie-Cable
35	109-0307	1	Hose-Fuel
36	110-5702	1	Hose-Fuel
37	109-0281	1	Hose-Fuel
38	114-4416	1	Hose-Fuel
39	109-0295	1	Hose-Fuel
40	109-0305	1	Hose-Fuel
41	109-0299	1	Hose-Fuel
42	114-4406	1	Sleeve-Fabric
43	114-4404	1	Hose-Fuel
44	1-303287	3	Tie-Cable



Engine Housing Assembly

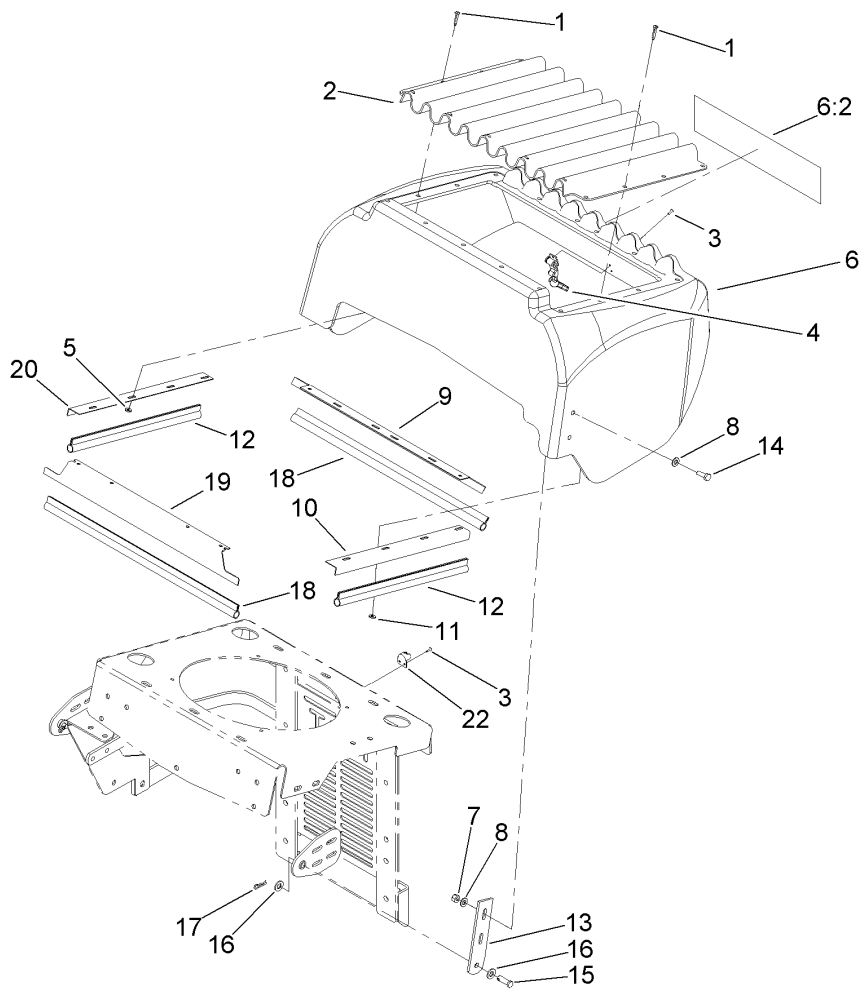
Ref.	Part Number	Qty.	Description
1	110-5779-03	1	Rear Guard ASM
2	322-5	2	Screw-HH
3	322-6	2	Screw-HH
4	3256-23	8	Washer-Flat
5	110-5793	1	RH Radiator Brace ASM
5:2	32148-11	1	Insert-Threaded
6	110-6235-03	2	Strap-Guard
7	110-6213-03	1	LH Radiator Brace ASM
8	32128-20	22	Nut-HF
9	1-633897-03	1	Rib-Top
10	322-3	14	Screw-HH
11	3256-24	5	Washer-Flat
12	323-6	3	Screw-HH
13	323-7	4	Screw-HH
14	110-5795	1	LH Support Bracket ASM
14:2	110-5794	1	Decal-Fuse
15	110-6230-03	1	Bracket-Mount, Pump
16	108-5345-03	2	Hood Pivot Plate ASM
17	3290-357	9	Nut-HHF, Whiz
19	98-8332	3	Knob
20	3256-3	2	Washer-Flat
21	109-2365	2	Bumper-Rubber (W/Stud)

Ref.	Part Number	Qty.	Description
22	110-6245	1	Clamp-R
23	110-5798-03	1	Bracket-Relay/Fuse
24	110-6219	1	Front Shield ASM
24:2	110-3853	1	Decal-Danger, Rotating Devices
24:3	110-6220	1	Decal-Routing, Hydro Belt
24:4	110-3852	1	Decal- Warning, Buzzer
24:5	100-3815	2	Grommet-Rubber
24:6	110-6221	1	Decal-Routing, Clutch Belt
24:7	110-3851	1	Decal-Check, Service
24:9	104-2449	1	Decal-Coolant
27	110-5797	1	Strap-Top W/Decal
27:1	1-633897-03	1	Rib-Top
29	3256-4	2	Washer-Flat
30	108-5339-03	1	Bracket-Support, RH
31	322-4	4	Screw-HH
32	323-5	2	Screw-HH
33	110-5783-03	1	Plate-ECM Mount
34	321-3	2	Screw-HH
36	1-803075	2	Screw-Head, Truss
37	3296-2	2	Nut-Lock, NI



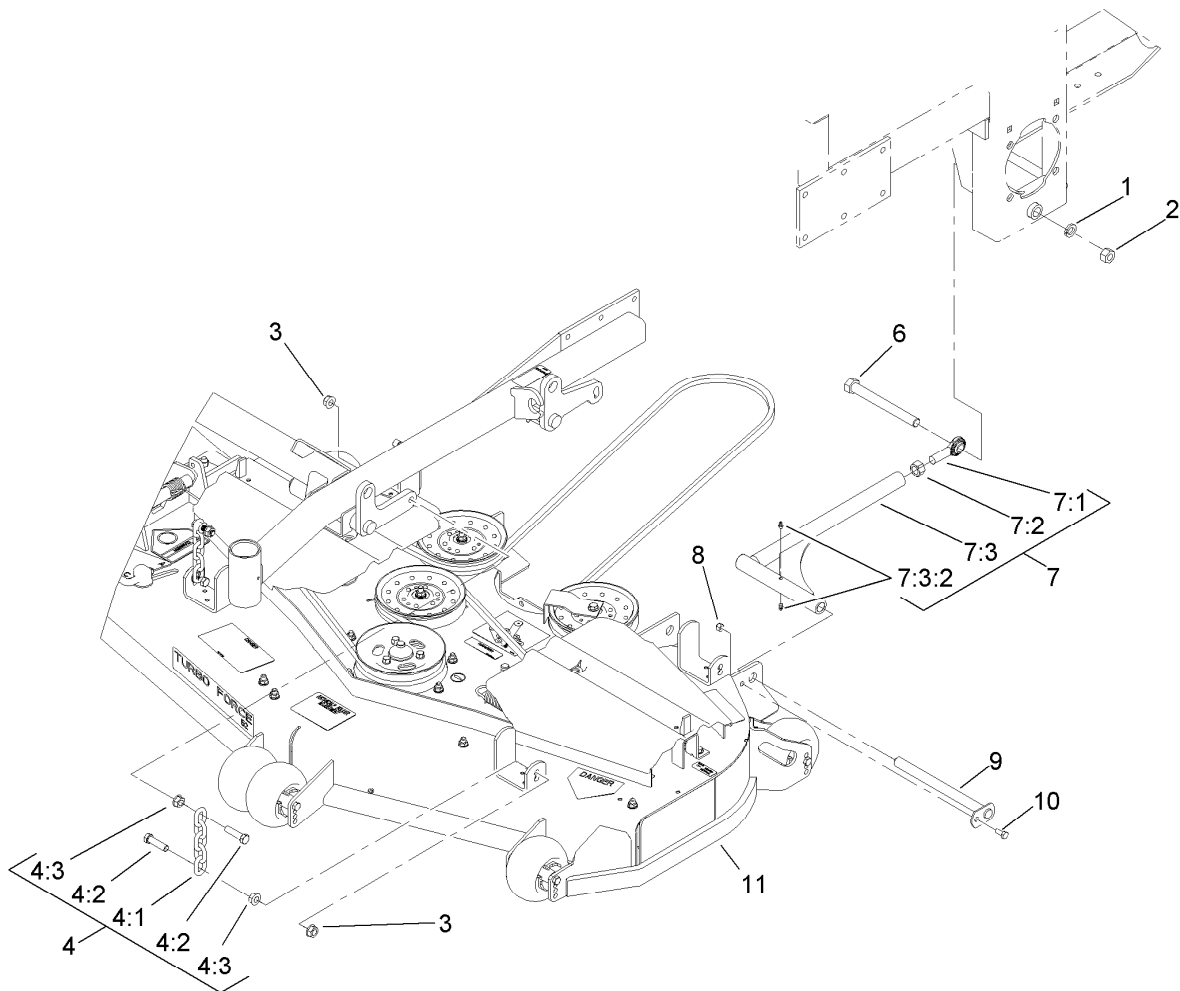
Cooling System Assembly

<i>Ref.</i>	<i>Part Number</i>	<i>Qty.</i>	<i>Description</i>	<i>Ref.</i>	<i>Part Number</i>	<i>Qty.</i>	<i>Description</i>
1	110-6208	1	Plate-Radiator, Top	12	110-6231	1	Hose-Radiator, Outlet
1:2	65-2690	2	Decal-Surface, Hot	13	103-0074	1	Hose-Inlet, Radiator
1:3	104-2449	1	Decal-Coolant	14	1-643164	1	Cap-Tank, Overflow
1:4	100-3815	2	Grommet-Rubber	15	1-643163	1	Tank-Overflow
2	1-643161	1	Cap-Radiator	16	1-603954	1	Hose-Line, Fuel
3	103-1046	1	Radiator-Mount	17	1-643259	1	Fitting-Elbow
5	3256-23	12	Washer-Flat	18	1-513645	1	Bushing-Valve, Fuel
6	110-6206	1	Plate-Radiator, Bottom	19	321-2	2	Screw-HH
6:2	1-643253	2	Decal-Fan, Radiator	20	1-303287	5	Tie-Cable
6:3	32148-6	1	Insert-Nut	21	110-7503	1	Hose-Fuel
6:4	1-513658	2	Bumper	22	322-4	6	Screw-HH
7	1-803067	4	Screw	28	322-1	6	Screw-HH
8	3256-16	8	Washer-Flat	29	32128-20	6	Nut-HF
9	1-804254	4	Nut	30	3256-3	6	Washer-Flat
10	1-633831	1	Fan	31	322-2	6	Screw-HH
11	1-633989	4	Clamp-Hose				



Hood Assembly

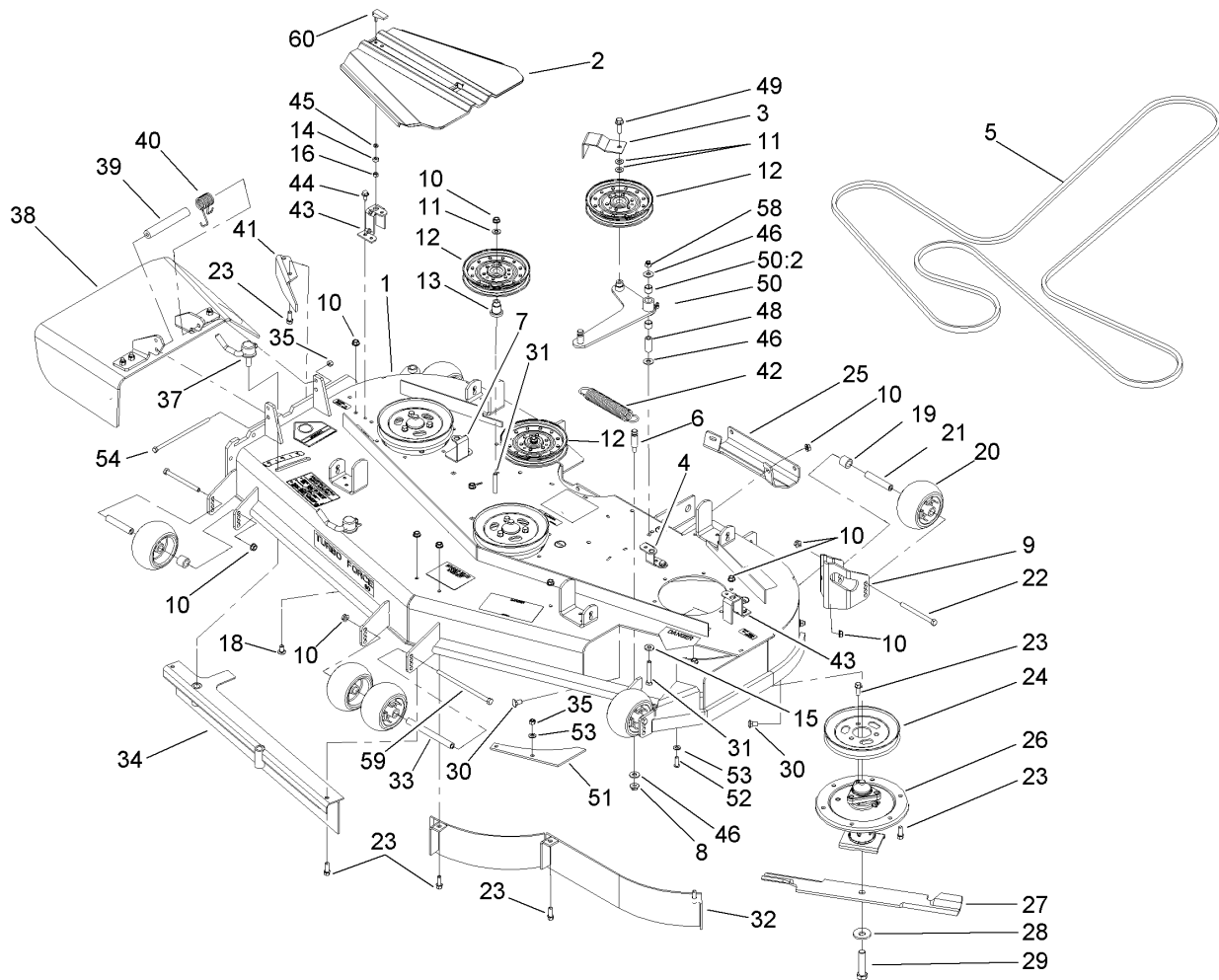
Ref.	Part Number	Qty.	Description
1	1-803072	17	Rivet
2	1-633864-03	1	Screen-Radiator
3	923786	4	Rivet
4	1-643188	1	Latch-Rubber
5	1-303435	4	Washer-Spring
6	110-6218	1	Hood ASM
6:2	106-7456	1	Decal
7	3296-29	4	Nut-Lock, NI
8	3256-23	8	Washer-Flat
9	1-643108-03	1	Angle-Radiator, Bottom
10	1-643105-03	1	Angle-Radiator, LH
11	3256-14	12	Washer-Flat
12	1-643186	2	Seal-Trim
13	108-5337-03	2	Plate-Hinge, Hood
14	322-4	4	Screw-HH
15	1-808285	2	Pin-Clevis
16	3256-24	4	Washer-Flat
17	1-806003	2	Pin-Cotter, Hair
18	1-643187	2	Seal-Trim
19	1-643107-03	1	Angle-Radiator, Top
20	1-643106-03	1	Angle-Radiator, RH
22	1-643189	1	Keeper-Latch, Rubber



Deck Connection Assembly

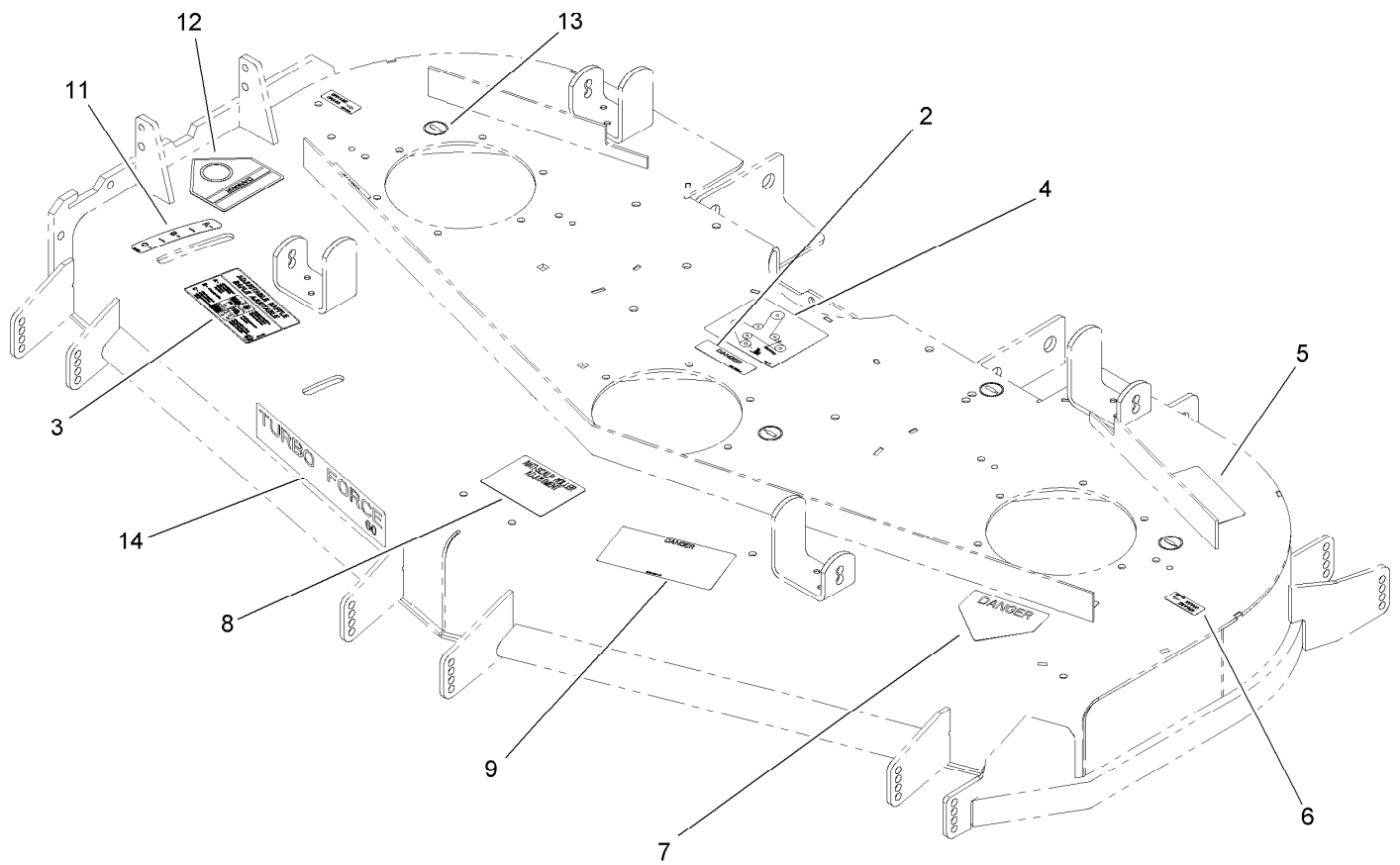
Ref.	Part Number	Qty.	Description
1	3253-8	2	Washer-Lock
2	3217-11	2	Nut-Hex
3	32128-37	8	Nut-HF
4	103-9792	4	Deck Chain ASM
4:1	1-633447	1	Chain-Lift, Deck
4:2	103-1898	2	Screw-HH
4:3	32128-37	2	Nut-HF
6	327-11	2	Screw-HH
7	108-5969	2	Strut ASM
7:1	1-633029	1	Balljoint-Spherical
7:2	3219-6	1	Nut-Hex
7:3		1	Strut-Deck ●
7:3:2	109-1380	2	Fitting-Grease
8	3296-29	2	Nut-Lock, NI
9	1-632199-01	2	Pin-Strut
10	322-3	2	Screw-HH
11		1	Deck ASM ●

● Not serviced separately



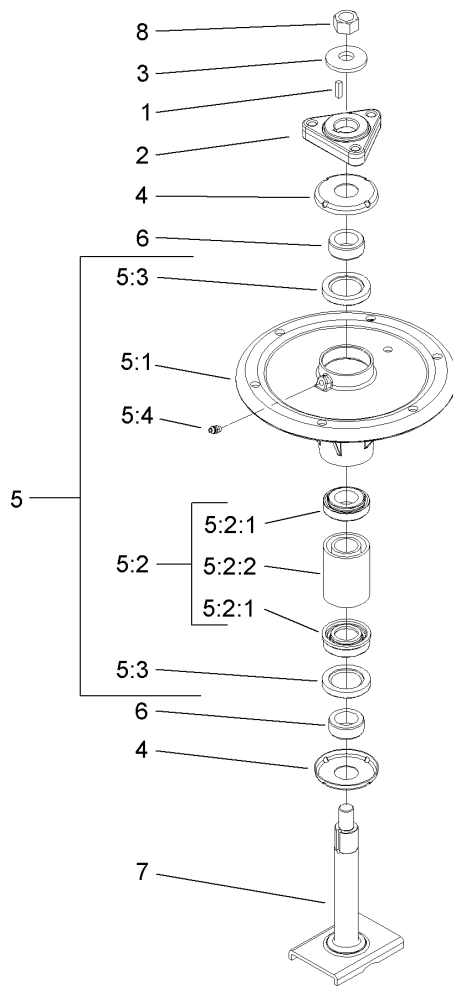
Deck Assembly

Ref.	Part Number	Qty.	Description	Ref.	Part Number	Qty.	Description
1	108-5945	1	Deck Decal ASM	29	103-0862	3	Screw-Cap
2	107-8536	2	Cover-Belt	30	3231-1	11	Screw-CARR
3	108-7220-01	1	Guide-Belt	31	323-12	3	Screw-HH
4	108-2177-01	1	Bracket-Cover, Tall	32	105-7657-01	1	Baffle ASM
5	114-4420	1	Belt-V	33	98-5967	1	Spacer-Wheel
6	110-0801	1	Pin-Threaded, Spring Anchor	34	105-7669-01	1	Baffle ASM
7	108-4122-01	1	Bracket-Cover	35	3296-29	3	Nut-Lock, NI
8	32128-19	1	Nut-HF	37	107-1664	2	Lever ASM
9	106-7354-01	1	Mount-Wheel, LH	38	108-2792	1	Rubber Deflector ASM
10	3290-357	43	Nut-HHF, Whiz	39	105-4622	1	Spacer
11	3256-24	4	Washer-Flat	40	108-4052	1	Spring-Torsion
12	1-633109	3	Idler-Flat	41	106-3216-01	1	Baffle-Discharge
13	106-3214	2	Mount-Pulley	42	110-0818	1	Spring-Extension
14	106-6778	2	Bushing-Latch, Swell	43	108-4121-01	2	Bracket-Cover
15	98-5975	1	Washer-Belleville	44	32144-70	4	Screw-HWHTF
16	1-804254	2	Nut	45	99-3058	2	Washer
18	3231-21	1	Screw-CARR	46	3256-4	3	Washer-Flat
19	98-7913	4	Tube-Spacer	48	1-603044	1	Bushing
20	1-603299	6	Roller-Scalp, Anti	49	3234-24	1	Screw-HHF
21	98-7912	4	Tube-Spanner	50	108-5949	1	Deck Idler Arm ASM
22	323-23	4	Screw-HH	50:2	103-4681	2	Sleeve-Bearing
23	92-1624	33	Screw-HWH	51	107-3137	1	Plate-Turbo
24	105-7734	3	Pulley	52	3274-104	2	Screw-HSBH
25	105-8792-01	1	Plate-Skid	53	1-303334	4	Washer-Spring
26	108-7713	3	Spindle ASM	54	322-50	1	Screw-HH
27	105-7718-03	3	Blade-Hi Flow	58	3296-39	1	Nut-Lock, NI
28	103-0865	3	Washer-Blade Bolt, Heavy	59	323-28	1	Screw-HH
				60	106-6777	2	Handle-Latch, Swell



Deck Decal Assembly No. 108-5945

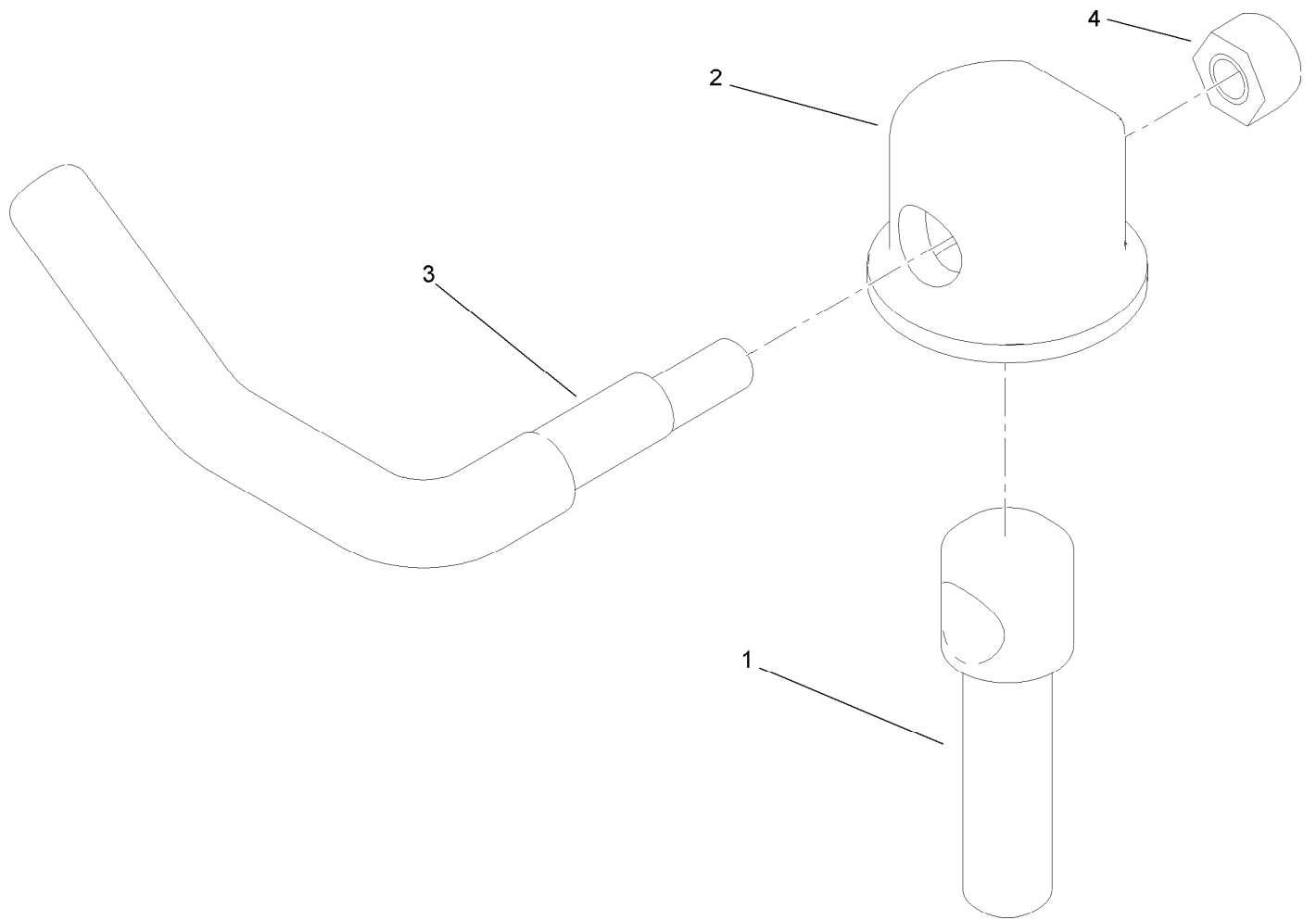
<i>Ref.</i>	<i>Part Number</i>	<i>Qty.</i>	<i>Description</i>
2	98-5954	3	Decal-Cover, Missing
3	110-2068	1	Decal-Adjustment, Baffle
4	108-5981	1	Decal-Routing, Belt
5	68-8340	1	Decal-Torque
6	107-1613	2	Decal-Grease
7	1-403005	1	Decal-Danger
8	105-7798	1	Decal-Scalp, Anti
9	66-1340	1	Decal-Danger, Thrown Object
11	110-2067	1	Decal-Setting, Baffle
12	54-9220	1	Decal-Danger
13	58-6520	4	Decal-Grease
14	107-1619	1	Decal



Spindle Assembly No. 108-7713

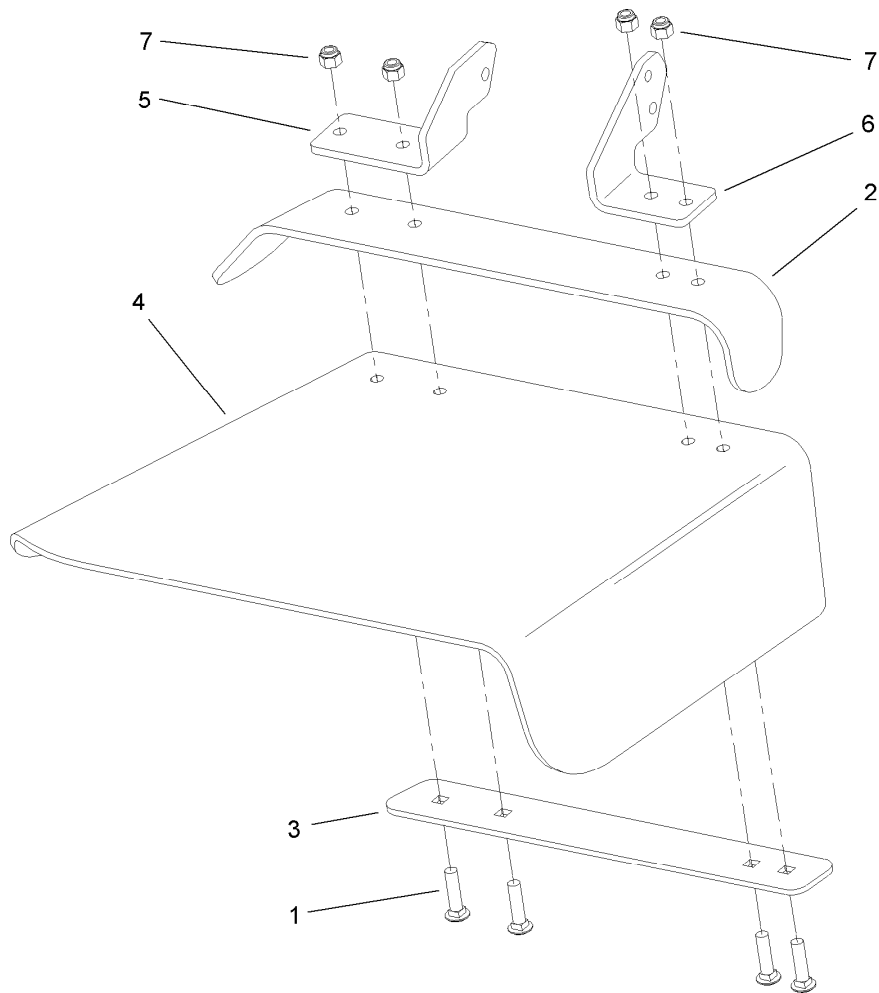
<i>Ref.</i>	<i>Part Number</i>	<i>Qty.</i>	<i>Description</i>
1	10-8040	1	Key-Square
2	106-3277	1	Hub-Pulley
3	103-0865	1	Washer-Blade Bolt, Heavy
4	106-3204	2	Shield-Bearing
5		1	Spindle Bearing ASM ●
5:1	106-3211	1	Housing-Spindle
5:2	108-7711	1	Bearing ASM
5:2:1	108-7710	1	Bearing ASM
5:2:2	106-3206	1	Spacer (Matched Set)
5:3	253-133	2	Seal-Oil
5:4	302-5	1	Fitting-Grease
6	106-3218	2	Spacer-Seal
7	106-3233	1	Spindle Shaft ASM
8	3219-6	1	Nut-Hex

● Not serviced separately



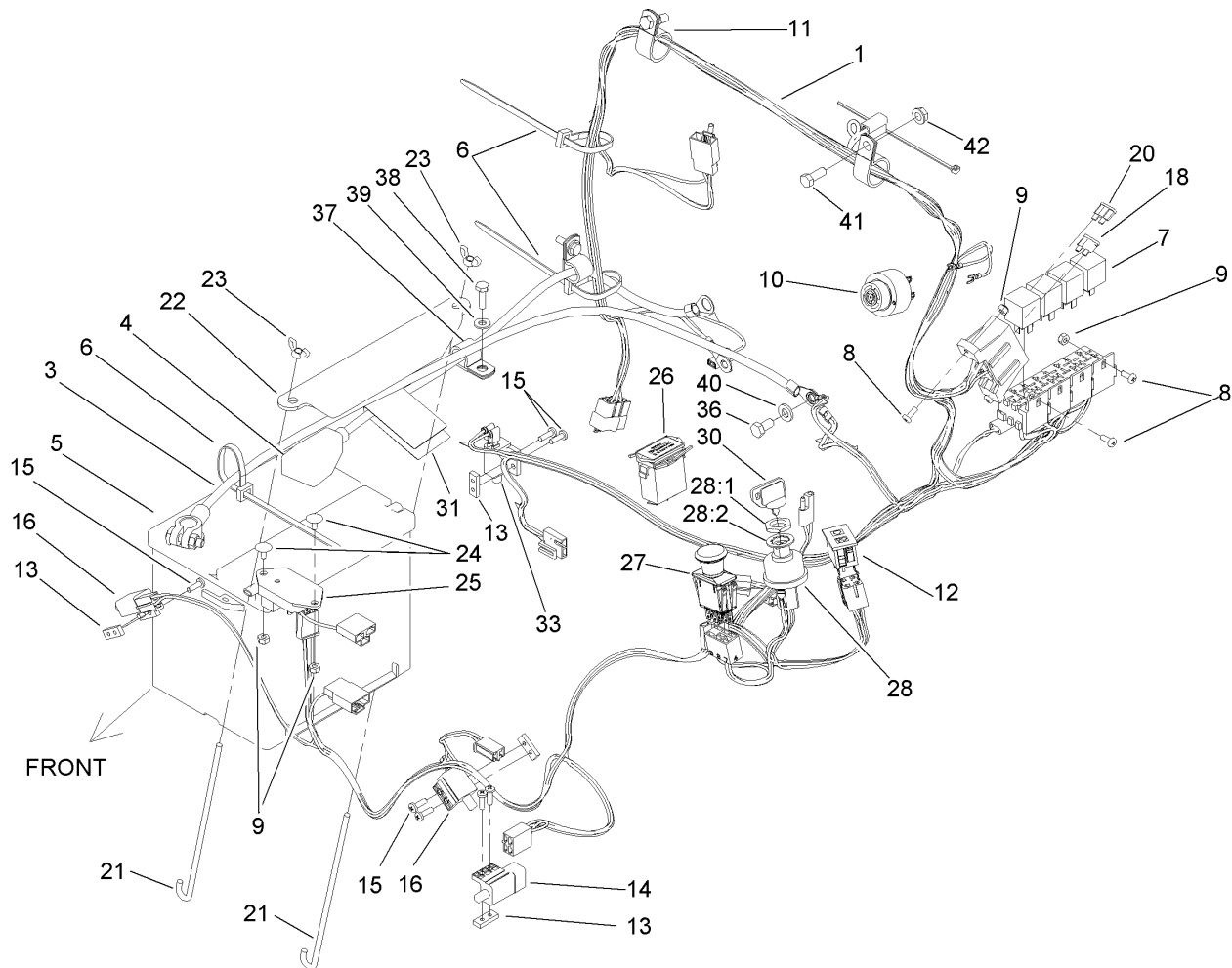
Lever Assembly No. 107-1664

<i>Ref.</i>	<i>Part Number</i>	<i>Qty.</i>	<i>Description</i>
1	106-3239	1	Screw-Lock
2	107-1644	1	Cap-Lock
3	106-3241	1	Lever-Lock
4	3296-29	1	Nut-Lock, NI



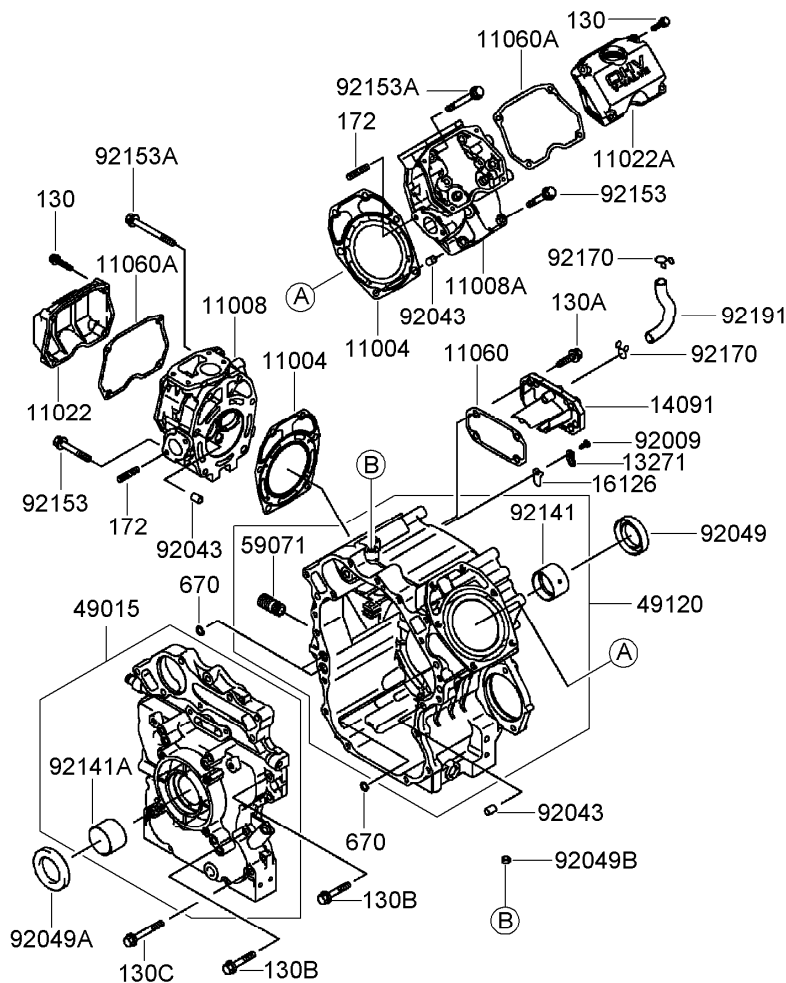
Rubber Deflector Assembly No. 108-2792

<i>Ref.</i>	<i>Part Number</i>	<i>Qty.</i>	<i>Description</i>
1	3231-4	4	Screw-CARR
2	106-3246-01	1	Deflector
3	106-3248-03	1	Strap-Discharge
4	108-5029	1	Deflector-Rubber
5	108-4059-01	1	Plate-Hinge, Rear
6	106-3253-01	1	Plate-Hinge, Front
7	3296-39	4	Nut-Lock, NI



Electrical Assembly

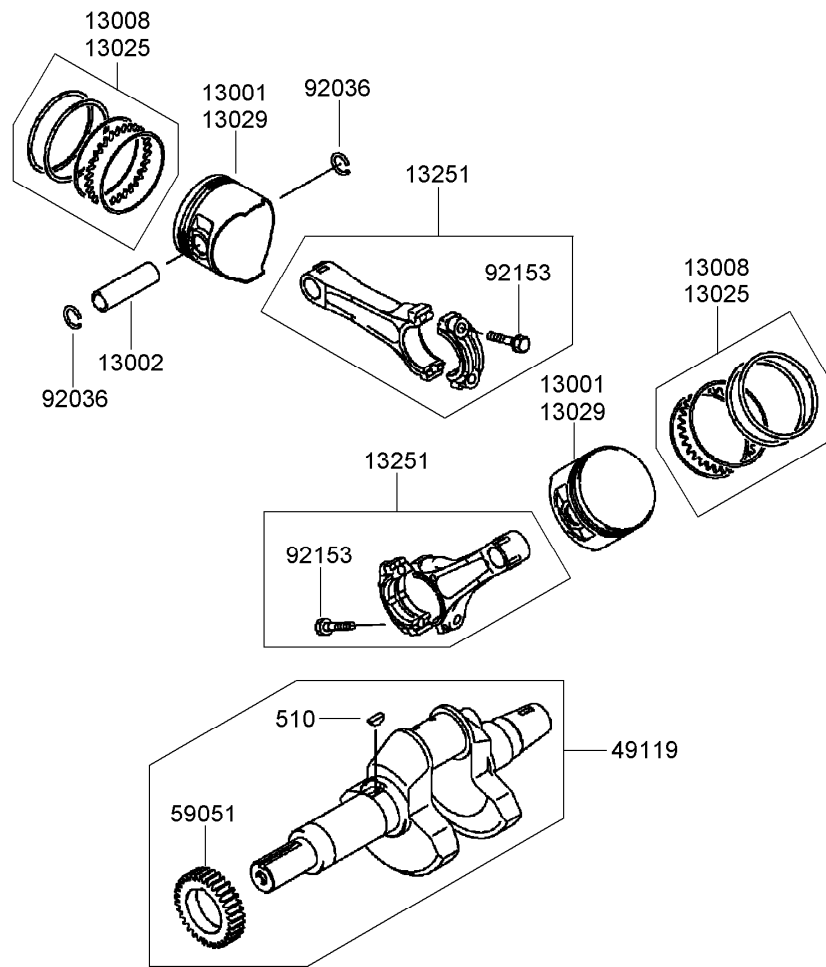
<i>Ref.</i>	<i>Part Number</i>	<i>Qty.</i>	<i>Description</i>	<i>Ref.</i>	<i>Part Number</i>	<i>Qty.</i>	<i>Description</i>
1	112-1796	1	Harness-Wire	23	1-543792	2	Wingnut
3	110-5786	1	Cable-Battery, Negative	24	1-807513	2	Bolt-CARR
4	110-5775	1	Cable-Battery, Positive	25	103-5218	1	Module-Delay, Seat
5	106-5187	1	Battery	26	1-513374	1	Meter-Hour
6	1-303335	7	Tie-Plastic	27	103-5221	1	Switch-PTO
7	1-643275	4	Relay	28	104-2541	1	Switch ASM
8	1-803071	4	Screw	28:1	218-461	1	Nut-HH
9	3296-2	6	Nut-Lock, NI	28:2	3254-5	1	Washer-Tooth, Internal
10	103-0205	1	Alarm-Tone, Dual	30	63-8360	2	Key-Ignition
11	2412-74	2	R-Clamp	31	107-9309	1	Decal-Instructions, Charging
12	110-5739	1	Lamp-Warning	33	1-513152	1	Switch-Closed, Normally
13	1-633181	4	Plate-Tapped	36	33114-016	1	Screw-HH
14	1-633111	1	Switch	37	1-633396	1	Clip-Loom
15	3290-500	8	Screw-PPH	38	321-5	1	Screw-HH
16	1-513051	2	Switch-Open, Normally	39	3256-22	1	Washer-Flat
18	218-578	1	Fuse-10 Amp	40	3256-23	1	Washer-Flat
20	109103	2	Fuse-30 Amp	41	322-5	2	Screw-HH
21	103-1312	2	Bolt-Holddown	42	32128-20	2	Nut-HF
22	103-1311-03	1	Holddown-Battery				



Cylinder and Crankcase Assembly Kawasaki FD791D-AS07

Ref.	Part Number	Qty.	Description	Ref.	Part Number	Qty.	Description
11004	11004-2142	2	Gasket-Head ●	92049A	92049-2243	1	Seal-Oil, lsd (42X65X9) Ae ●
11008	11008-2145	1	Head-Cylinder ●	92049B	92049-2255	1	Seal-Oil, Vc (8X12X2.5) ●
11008A	11008-2146	1	Head-Cylinder ●	92141	92141-2118	1	Bearing-Plane ●
11022	11022-2072	1	Case-Rocker ●	92141A	92141-2119	1	Bearing-Plane ●
11022A	11022-2073	1	Case-Rocker ●	92153	92153-2131	4	Bolt (8X60) ●
11060	11060-2466	1	Gasket-Breather ●	92153A	92153-2132	8	Bolt (8X85) ●
11060A	11060-2470	2	Gasket-Case, Rocker ●	92170	92170-2002	2	Clamp ●
13271	13271-2105	2	Plate ●	92191	92191-2105	1	Tube ●
14091	14091-2064	1	Cover-Breather ●	130	130G0630	8	Bolt-Flanged (6X30) ●
16126	16126-2225	2	Valve-Breather ●	130A	130G0830	4	Bolt-Flanged (8X30) ●
49015	49015-6232	1	Cover-Crankcase ●	130B	130G0845	6	Bolt-Flanged (8X45) ●
49120	49120-6134	1	Crankcase ●	130C	130G0860	4	Bolt-Flanged (8X60) ●
59071	59071-2079	1	Joint ●	172	172G0822	4	Bolt-Stud (8X22) ●
92009	92009-2308	2	Screw ●	670	670B2011	3	O-Ring (11Mm) ●
92043	92043-1037	6	Pin ●				
92049	92049-2242	1	Seal-Oil, lsd (38X58X11) Ae ●				

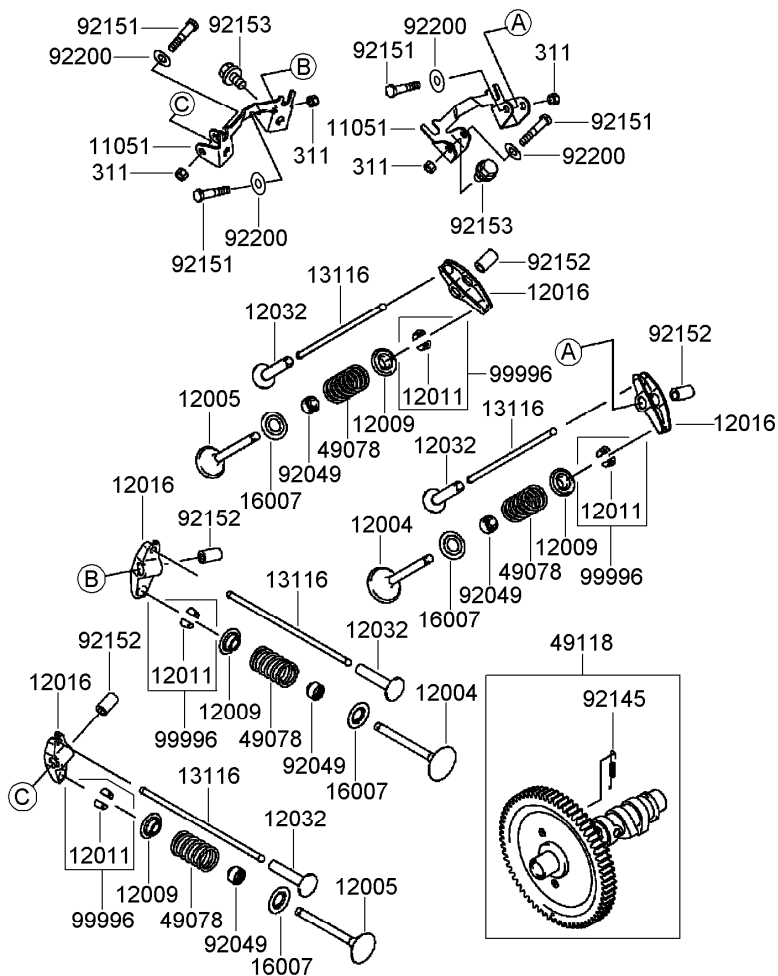
● Obtain parts from www.kawpowerepc.com



Piston and Crankshaft Assembly Kawasaki FD791D-AS07

<i>Ref.</i>	<i>Part Number</i>	<i>Qty.</i>	<i>Description</i>
13001	13001-2150	2	Piston-Engine ●
13002	13002-2069	2	Pin-Piston ●
13008	13008-6007	2	Ring-Set, Piston ●
13025	13025-2074	1	Piston Ring Set (0.50) ●
13029	13029-2124	1	Piston-Engine (0.50) ●
13251	13251-2058	2	Connecting Rod ASM ●
49119	49119-2228	1	Crankshaft ASM ●
59051	59051-2358	1	Gear-Spur (33T) ●
92036	92036-008	4	Ring-Snap ●
92153	92153-2054	4	Bolt (7X35.2) ●
510	510A5100	1	Key-Woodruff ●

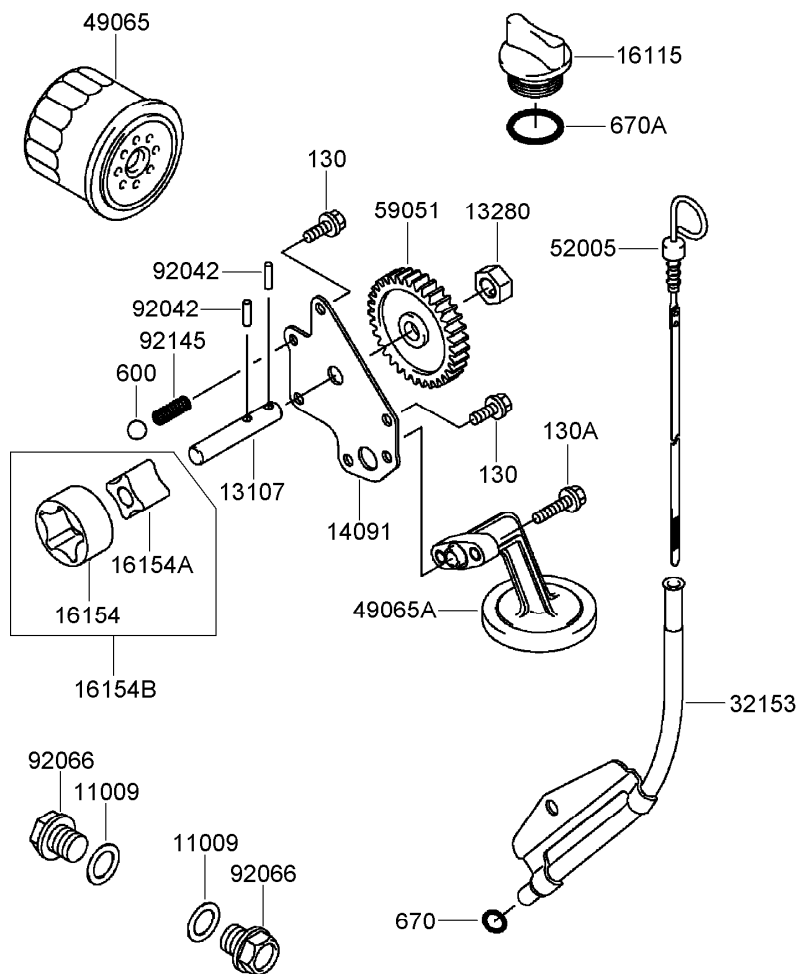
● Obtain parts from www.kawpowerepc.com



Valve and Camshaft Assembly Kawasaki FD791D-AS07

Ref.	Part Number	Qty.	Description
11051	11051-2092	2	Bracket ●
12004	12004-2113	2	Valve-Intake ●
12005	12005-2100	2	Valve-Exhaust ●
12009	12009-2060	4	Retainer-Spring, Valve ●
12011	12011-2052	8	Collet ●
12016	12016-2066	4	Arm-Rocker ●
12032	12032-2060	4	Tappet ●
13116	13116-2074	4	Rod-Push ●
16007	16007-2052	4	Seat-Spring ●
49078	49078-2060	4	Spring-Valve, Engine ●
49118	49118-2138	1	Camshaft ●
92049	92049-2100	4	Seal-Oil,Vsb (7X12X5.5X9.7) ●
92145	92145-2085	1	Spring ●
92151	92151-2165	4	Bolt (M6) ●
92152	92152-2077	4	Collar ●
92153	92153-2062	4	Bolt (8X14) ●
92200	92200-2151	4	Washer (8.1X18X0.5) ●
99996	99996-2077	4	Collet Kit ●
311	311B0600	4	Nut-Hex (6Mm) ●

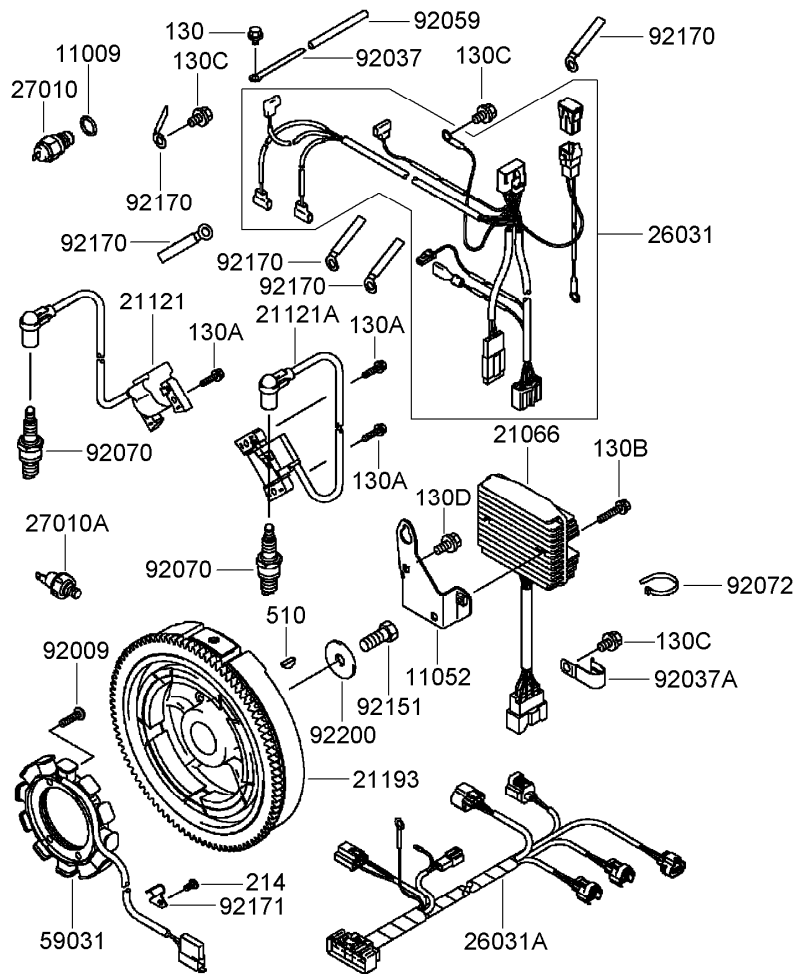
● Obtain parts from www.kawpowerepc.com



Lubrication Equipment Assembly Kawasaki FD791D-AS07

Ref.	Part Number	Qty.	Description
11009	11009-2566	2	Gasket-Plug, Drain ●
13107	13107-2281	1	Shaft-Pump, Oil ●
13280	13280-2061	1	Holder-Pump, Oil ●
14091	14091-2065	1	Cover-Pump, Oil ●
16115	16115-2126	1	Cap-Filler, Oil ●
16154	16154-1075	1	Rotor-Pump, Outer ●
16154A	16154-1076	1	Rotor-Pump, Inner ●
16154B	16154-1079	1	Rotor-Pump ●
32153	32153-2076-9H	1	Pipe-Gauge, Oil ●
49065	49065-2071	1	Filter-Oil ●
49065A	49065-2082	1	Filter-Oil ●
52005	52005-2132	1	Gauge-Oil ●
59051	59051-2354	1	Gear-Spur (33T) ●
92042	92042-014	2	Pin ●
92066	92066-2099	2	Plug-Drain ●
92145	92145-2132	1	Spring ●
130	130G0616	3	Bolt-Flanged (6X16) ●
130A	130G0625	2	Bolt-Flanged (6X25) ●
600	600A1300	1	Ball-Steel (13/32) ●
670	670B2010	1	O-Ring (10Mm) ●
670A	670B3025	1	O-Ring (25Mm) ●

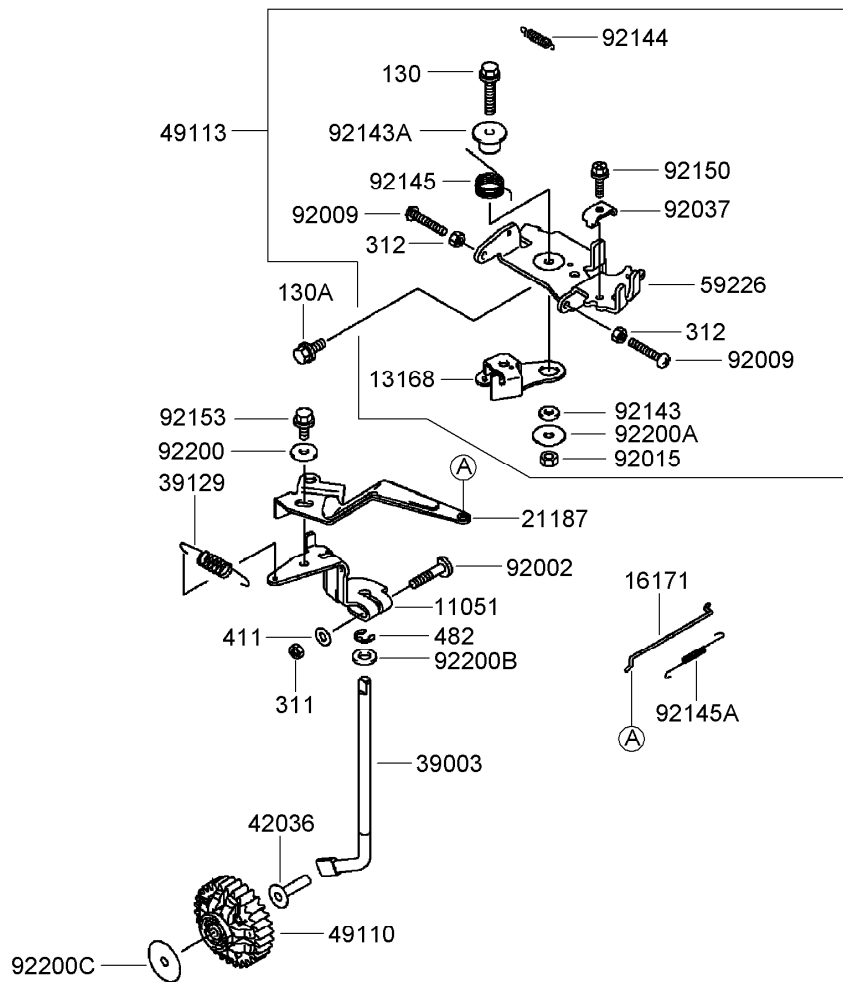
● Obtain parts from www.kawpowerepc.com



Electric Equipment Assembly Kawasaki FD791D-AS07

Ref.	Part Number	Qty.	Description	Ref.	Part Number	Qty.	Description
11009	11009-2766	1	Gasket (16X24X1) ●	92070	92070-2112	2	Spark Plug-Bpr4Es, (Ngk) Solid ●
11052	11052-2058	1	Bracket ●	92072	92072-1195	1	Band ●
21066	21066-2079	1	Regulator-Voltage ●	92151	92151-2097	1	Bolt (12X30) ●
21121	21121-2090	1	Coil-Ignition, No. 1 ●	92170	92170-2060	5	Clamp ●
21121A	21121-2091	1	Coil-Ignition, No. 2 ●	92171	92171-2060	1	Clamp ●
21193	21193-2187	1	Flywheel ASM ●	92200	92200-2119	1	Washer (12.2X40X3.0) ●
26031	26031-2070	1	Harness, C-Unit ●	130	130C0608	1	Bolt-Flanged (6X8) ●
26031A	26031-2074	1	Harness ●	130A	130G0520	4	Bolt-Flanged (5X20) ●
27010	27010-2182	1	Switch ●	130B	130G0630	2	Bolt-Flanged (6X30) ●
27010A	27010-7001	1	Switch ●	130C	130G0812	3	Bolt-Flanged (8X12) ●
59031	59031-2127	1	Coil-Charging ●	130D	130G0816	2	Bolt-Flanged (8X16) ●
92009	92009-2273	4	Screw (6X25) ●	214	214B0510	1	Screw-Pan (5X10) ●
92037	92037-2006	1	Clamp ●	510	510A5100	1	Key-Woodruff ●
92037A	92037-2101	1	Clamp ●				
92059	92059-2011	1	Tube (5X6X75) ●				

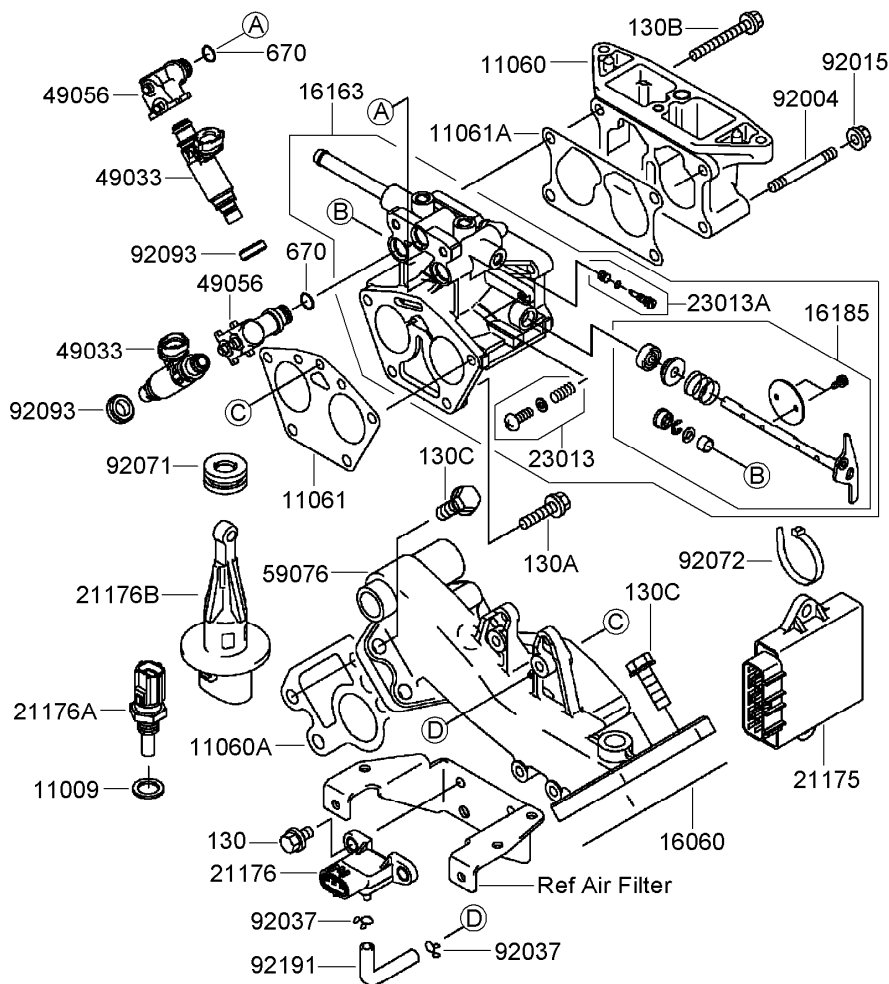
● Obtain parts from www.kawpowerepc.com



Control Equipment Assembly Kawasaki FD791D-AS07

Ref.	Part Number	Qty.	Description	Ref.	Part Number	Qty.	Description
11051	11051-2113	1	Bracket ●	92144	92144-2052	1	Spring ●
13168	13168-2466	1	Lever-Throttle ●	92145	92145-2058	1	Spring ●
16171	16171-2094	1	Link ●	92145A	92145-2106	1	Spring ●
21187	21187-2076	1	Arm ASM ●	92150	92150-2182	1	Bolt (5X18) ●
39003	39003-2091	1	Arm-Pivot ●	92153	92153-0009	1	Bolt (6X12) ●
39129	39129-2105	1	Spring-Governor ●	92200	92200-2035	1	Washer ●
42036	42036-2060	1	Sleeve ●	92200A	92200-2108	1	Washer (6.5X22X1.2) ●
49110	49110-2094	1	Governor ASM ●	92200B	92200-2120	1	Washer (8.3X16X2.3) ●
49113	49113-2173	1	Control Panel ASM ●	92200C	92200-2152	1	Washer (6.2X30X0.5) ●
59226	59226-2328	1	Panel-Control ●	130	130B0630	1	Bolt-Flanged (6X30) ●
92002	92002-2269	1	Bolt (6X28) ●	130A	130G0614	2	Bolt-Flanged (6X14) ●
92009	92009-2381	2	Screw (5X30) ●	311	311B0600	1	Nut-Hex (6Mm) ●
92015	92015-2051	1	Nut ●	312	312B0500	2	Nut-Hex (5Mm) ●
92037	92037-2209	1	Clamp ●	411	411B0600	1	Washer-Plain (6Mm) ●
92143	92143-2135	1	Collar (6X13X2.3) ●	482	482J7000	1	Circlip-Type E (7Mm) ●
92143A	92143-2148	1	Collar ●				

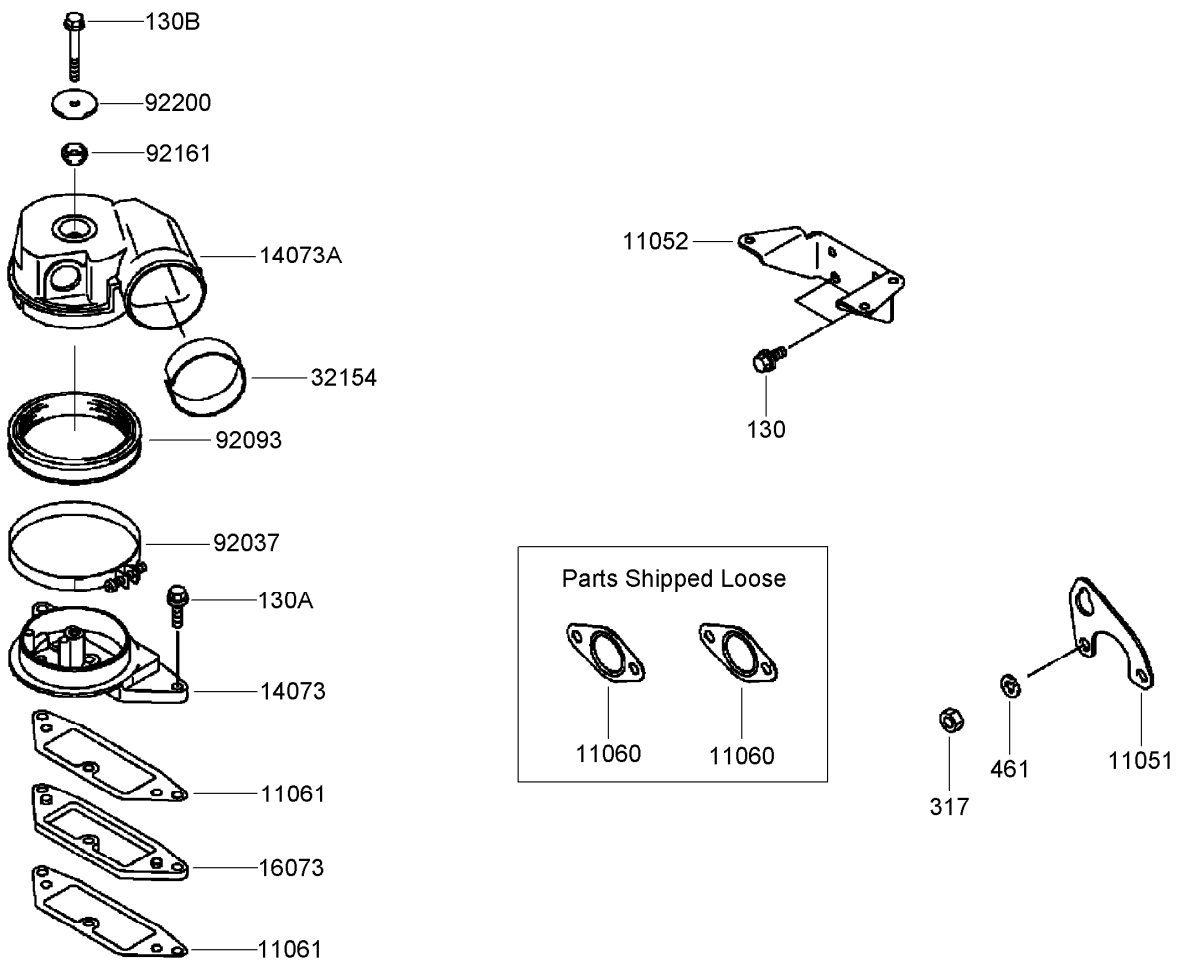
● Obtain parts from www.kawpowerepc.com



Throttle Assembly Kawasaki FD791D-AS07

Ref.	Part Number	Qty.	Description	Ref.	Part Number	Qty.	Description
11009	11009-1376	1	Gasket (12.5X18X1.5) ●	49056	49056-2060	2	Pipe-Injection ●
11060	11060-2468	1	Gasket-Manifold, Intake ●	59076	59076-2080	1	Manifold-Intake ●
11060A	11060-2469	1	Gasket-Manifold, Intake ●	92004	92004-2133	2	Stud (6X100) ●
11061	11061-2058	1	Gasket,Throttle ●	92015	92015-1193	2	Nut ●
11061A	11061-2075	1	Gasket-Pipe, Intake ●	92037	92037-2163	2	Clamp ●
16060	16060-2194	1	Pipe-Intake ●	92071	92071-2140	1	Grommet ●
16163	16163-2067	1	Throttle ASM ●	92072	92072-1195	1	Band ●
16185	16185-2046	1	Throttle Valve ASM ●	92093	92093-2119	2	Seal ●
21175	21175-2059	1	Control Unit-Electronic ●	92191	92191-2133	1	Tube (4X7X65) ●
21176	21176-1095	1	Sensor ●	130	130G0610	2	Bolt-Flanged (6X10) ●
21176A	21176-2097	1	Sensor ●	130A	130G0625	2	Bolt-Flanged (6X25) ●
21176B	21176-2106	1	Sensor ●	130B	130G0645	2	Bolt-Flanged (6X45) ●
23013	23013-2065	1	Screw ASM ●	130C	130G0825	8	Bolt-Flanged (8X25) ●
23013A	23013-2066	1	Screw ASM ●	670	670E1508	2	O-Ring (8Mm) ●
49033	49033-2059	2	Nozzle-Injection ●				

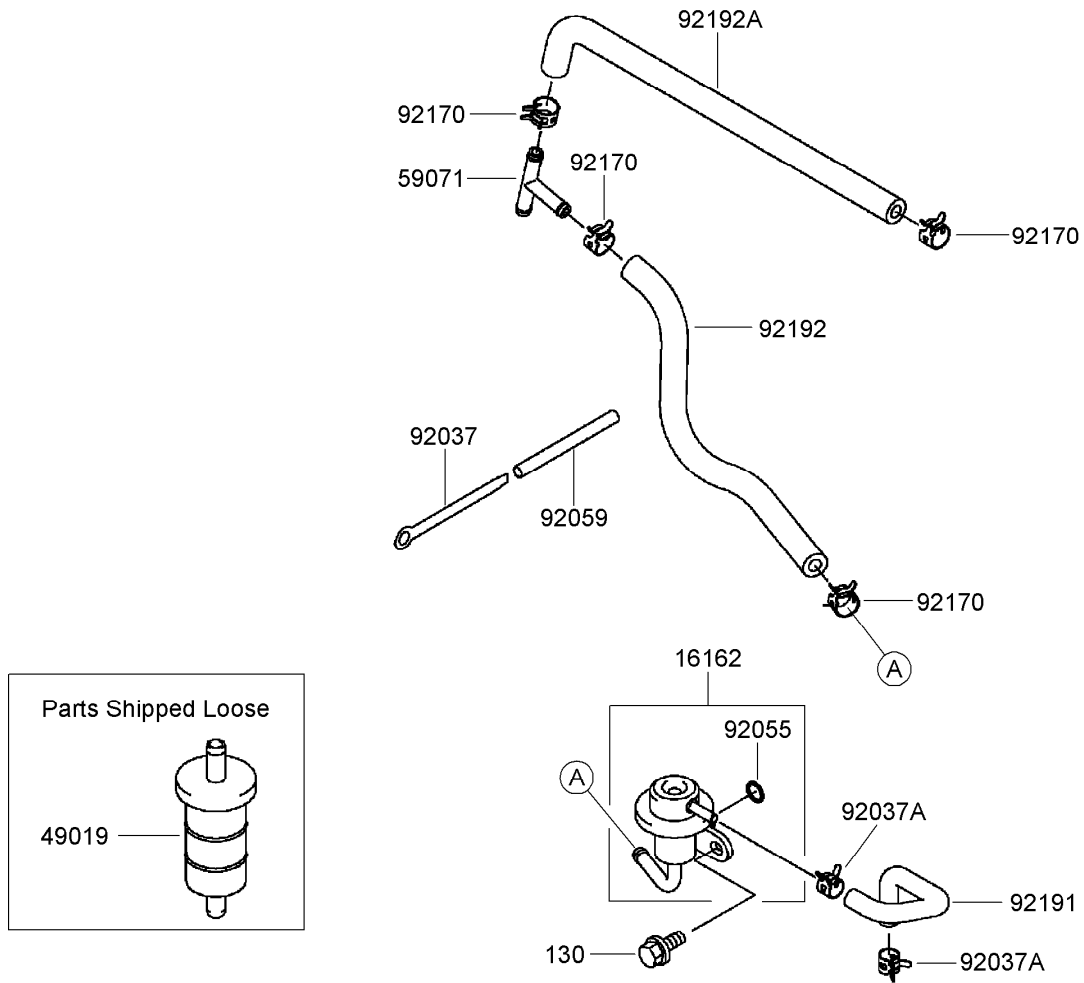
● Obtain parts from www.kawpowerepc.com



Air Filter and Muffler Assembly Kawasaki FD791D-AS07

Ref.	Part Number	Qty.	Description
11051	11051-2088	1	Bracket ●
11052	11052-2062	1	Bracket ●
11060	11060-2467	2	Gasket-Muffler ●
11061	11061-2085	2	Gasket ●
14073	14073-2084	1	Duct-Low ●
14073A	14073-2086	1	Duct-Upp ●
16073	16073-2216	1	Insulator ●
32154	32154-2059	1	Pipe-Duct, Inside ●
92037	92037-1654	1	Clamp ●
92093	92093-2118	1	Seal ●
92161	92161-2058	1	Damper ●
92200	92200-2144	1	Washer ●
130	130G0614	2	Bolt-Flanged (6X14) ●
130A	130G0625	3	Bolt-Flanged (6X25) ●
130B	130G0645	1	Bolt-Flanged (6X45) ●
317	317R0800	1	Nut-Hex, Small (8Mm) ●
461	461F0800	1	Washer-Spring (8Mm) ●

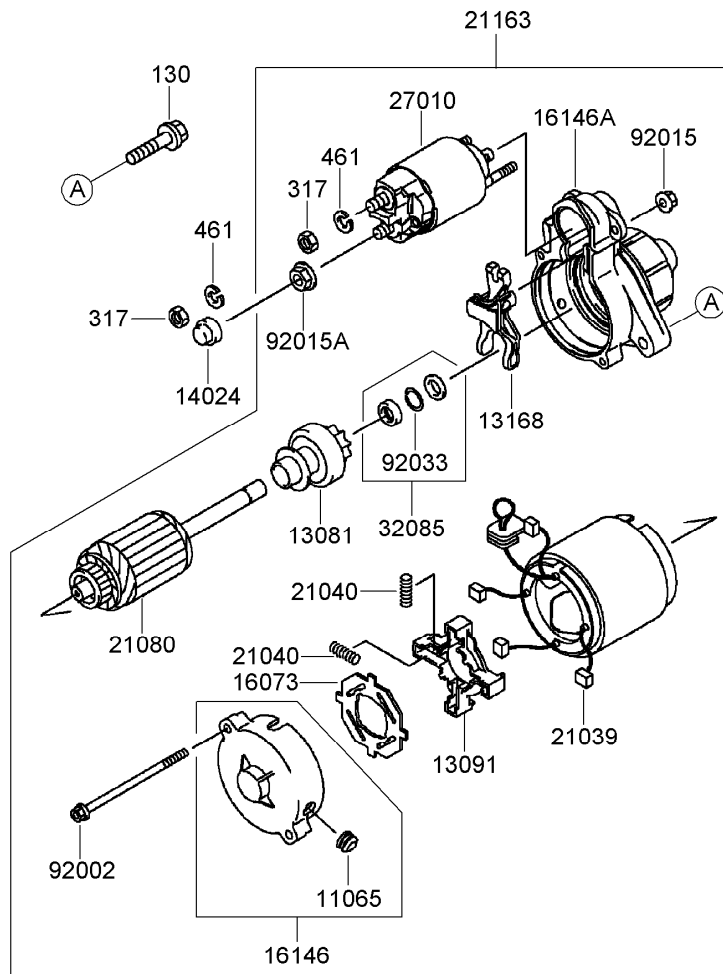
● Obtain parts from www.kawpowerepc.com



Fuel Tank and Valve Assembly Kawasaki FD791D-AS07

<i>Ref.</i>	<i>Part Number</i>	<i>Qty.</i>	<i>Description</i>
16162	16162-2055	1	Regulator-Fuel ●
49019	49019-1055	1	Filter-Fuel ●
59071	59071-3705	1	Joint ●
92037	92037-2006	1	Clamp ●
92037A	92037-2083	2	Clamp ●
92055	92055-2187	1	O-Ring, Fuel Regulator ●
92059	92059-2011	1	Tube (5X6X75) ●
92170	92170-2009	4	Clamp ●
92191	92191-2165	1	Tube ●
92192	92192-2108	1	Tube (6.2X13.2X200) ●
92192A	92192-2109	1	Tube (6.2X13.2X230) ●
130	130G0612	2	Bolt-Flanged (6X12) ●

● Obtain parts from www.kawpowerepc.com



Starter Assembly Kawasaki FD791D-AS07

Ref.	Part Number	Qty.	Description
11065	11065-2118	1	Cap ●
13081	13081-2085	1	Clutch Asm ●
13091	13091-2068	1	Brush Holder ●
13168	13168-2131	1	Lever-Shift ●
14024	14024-2205	1	Cover ●
16073	16073-2098	1	Insulator ●
16146	16146-2235	1	Cover ASM ●
16146A	16146-2239	1	Cover ASM ●
21039	21039-2059	4	Brush ●
21040	21040-2052	4	Spring-Brush ●
21080	21080-2054	1	Armature ●
21163	21163-2130	1	Starter-Electric ●
27010	27010-2122	1	Switch ●
32085	32085-2097	1	Stopper ●
92002	92002-2277	2	Bolt ●
92015	92015-2146	2	Nut ●
92015A	92015-2147	1	Nut ●
92033	92033-2081	1	Ring-Snap ●
130	130G0835	2	Bolt-Flanged (8X35) ●
317	317B0800	2	Nut-Hex, Small (8Mm) ●
461	461F0800	2	Washer-Spring (8Mm) ●

● Obtain parts from www.kawpowerepc.com

Attachments and Accessories

For 74253 Z580 Z Master, With 60in TURBO FORCE Side Discharge Mower

Product Name	Model/Part
Z Stand Kit	105-1622
Blade-Mid Flow, 20.5 inch	105-7715-03
Blade-Lo Flow, 20.5 inch	105-7716-03
Blade-Hi Flow, 20.5 inch	105-7718-03
Blade-Recycler, 20.5 inch	105-7777-03
Blade-Atomic, 20.5 inch	105-8777-03
Recycler Kit	107-1611
Striping Kit	107-1630
Turbo Baffle Kit	107-1634
Suspension Kit for Standard Seat	107-1892
Light Kit	107-9880
6 Pack Blade, 20.5 inch Hi-Flow	108-1114
6 Pack-Blade, 20.5 inch Atomic	108-1115
6 Pack Blade, 20.5 inch Mid-Flow	108-1123
6 Pack-Blade, 20.5 inch Lo Flow	108-1128
Roller Striping Kit	108-2162
6 Pack-Blade, 20.5 inch Recycler	110-0405
DFS Vac Collection System Mounting Kit	110-0891
DFS Bagger Gusset Kit	110-3946
Bimini Sunshade	110-5726
Vac Collection System	78514
Chute Gate Kit	78521
Deluxe Suspension Seat Kit	78530
Triple Bag Assembly	78534
Blower and Drive Kit	78538
Filter Minder Gauge	99-4664
Hitch Kit	99-8925



Count on it.