



Count on it.

Parts Catalog

Workman® MD Utility Vehicle

Model No. 07266TC—Serial No. 310000801 and Up

Ordering Replacement Parts

To order replacement parts, please supply the part number, the quantity, and the description of each part desired.

Understanding Reference Numbers

Each identified part in an illustration has a reference number. The reference number for a part also appears in the parts list, along with other information about the part.

This catalog uses two special reference number formats, one to indicate parts in a service assembly and another to indicate the quantity of a given part in an illustration.

Service Assembly Reference Numbers

Parts in service assemblies have reference numbers in the form a:b. The a represents the reference number of the entire service assembly and the b represents a sequential number unique to each part within the service assembly.

For example, a wheel assembly might be identified by reference number 6, the tire by 6:1, the valve by 6:2, and the wheel by 6:3. When you order the assembly identified by reference number 6, you receive all parts identified by reference numbers 6:1, 6:2, and 6:3. However, you may also order any part individually. Reference numbers of this type appear in illustration and in parts lists.

Reference Numbers Indicating Quantity

In an illustration, if a reference number indicates more than one part, the reference number has the form nX y. The n represents the quantity of the part, the X is the multiplication symbol, and the y represents the reference number.

For example, in an illustration, the reference number 2X 37 means that two of the parts identified by reference number 37 are indicated.

List of Abbreviations

AR: as required

ASM: assembly

BBC: blade brake control

BHTF: button head thread forming

CARR: carriage

CCW: counter clockwise

CW: clockwise

DEG: degrees

ECM: electronic control module

EXT: external

FH: flat head

GA: gauge

HD: heavy-duty

HF: hex flange

HH: hex head

HHF: hex head flange

HHFTF: hex head flange thread forming

HJ: hex jam

HLH: hex lag head

HOC: height-of-cut

HSBH: hex socket button head

HSFH: hex socket flat head

HSH: hex socket head

HWH: hex washer head

HWHTF: hex washer head thread forming

HYD: hydraulic

LH: left hand

LP: Liquid Propane

NI: nylon insert

NPTF: national pipe thread fine

PFH: phillips flat head

PPH: phillips pan head

PPHTF: phillips pan head thread forming

PRH: phillips round head

PTH: phillips truss head

PTO: power-take-off

RH: right hand

ROPS: roll-over protection system

RRB: rear roller brush

SFH: slotted fillister head

SHH: slotted hex head

SHWH: slotted hex washer head

SPH: slotted pan head

SQH: square head

SRH: slotted round head

STD: standard

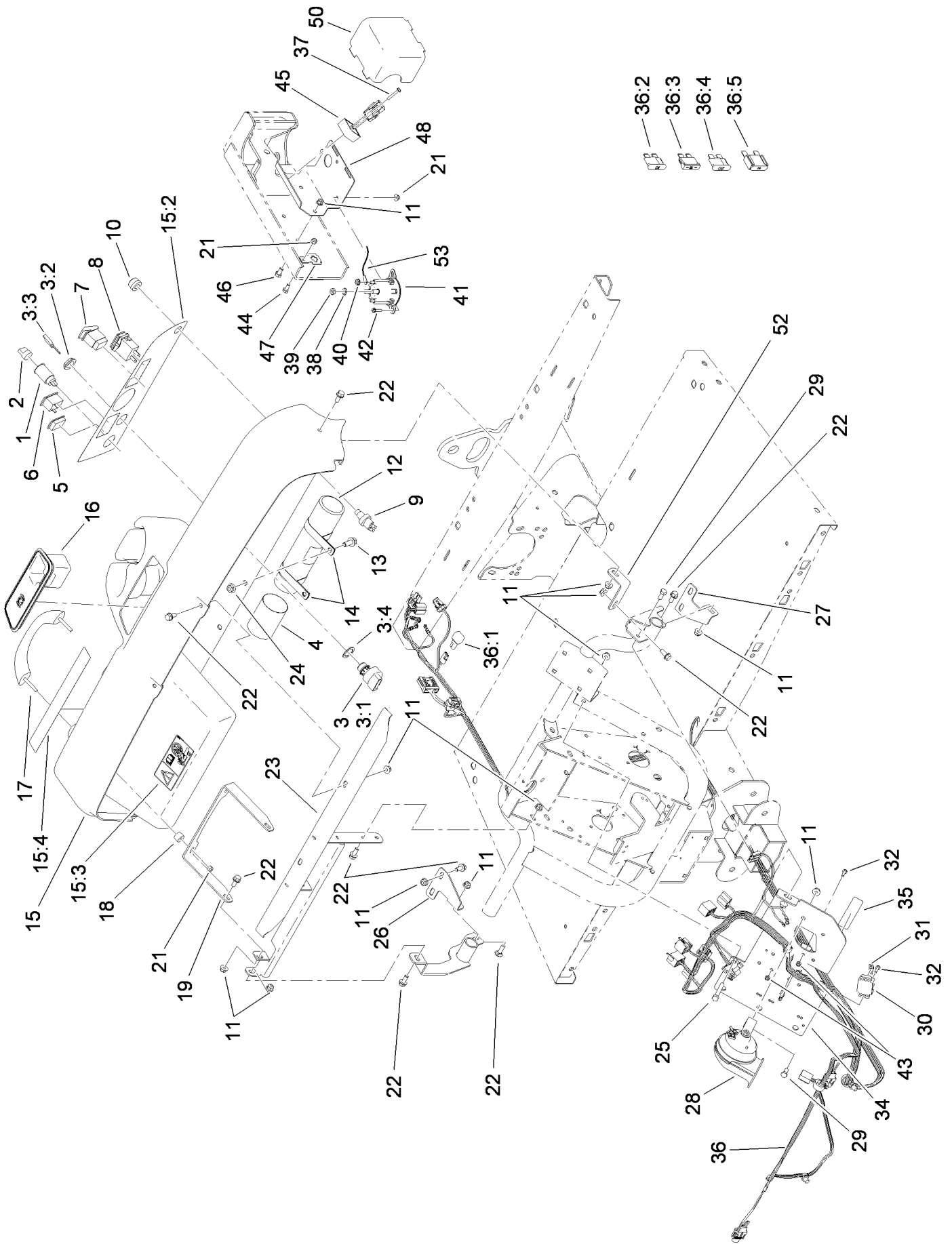
TAP: self tapping

TTH: torx truss head

Contents

| | |
|--|----|
| Dash Assembly | 4 |
| Pedal Box Assembly | 6 |
| Shifter Assembly | 7 |
| Front Frame Assembly | 8 |
| Seat Base Assembly | 9 |
| Front Tire, Spindle and Tie Rod Assembly | 10 |
| Rear Tire and Transaxle Assembly | 12 |
| Secondary Clutch Assembly No. 119-0803 | 13 |
| Transaxle Assembly No. 115-2300 | 14 |
| LH Rear Brake Assembly No. 114-8332 | 16 |
| RH Rear Brake Assembly No. 114-8331 | 17 |
| Upper Steering Assembly | 18 |
| Steering Box Assembly No. 112-3130 | 19 |
| Box and Tailgate Installation Assembly | 20 |
| Box and Tailgate Assembly | 21 |
| Hood and Fender Assembly | 22 |
| Frame Assembly | 23 |
| Engine and Clutch Assembly | 24 |
| Primary Clutch Assembly No. 119-0802 | 26 |
| Starter Generator Assembly No. 99-7108 | 27 |
| Air Cleaner Assembly No. 99-7120 | 28 |
| Master Cylinder and Brake Line Assembly | 29 |
| Master Cylinder Assembly No. 104-6782 | 30 |
| Attachments and Accessories | 31 |

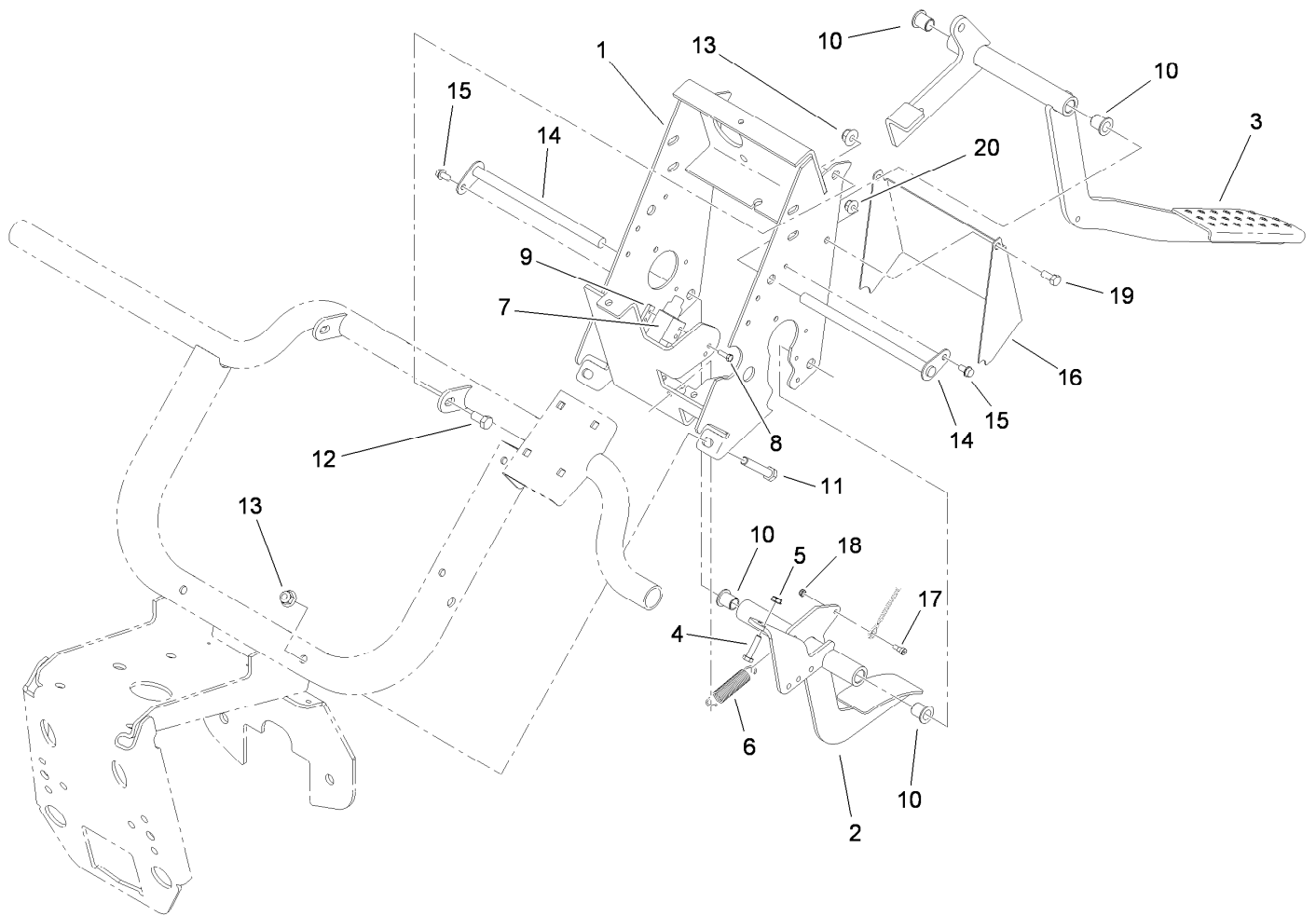
Dash Assembly



Dash Assembly (continued)

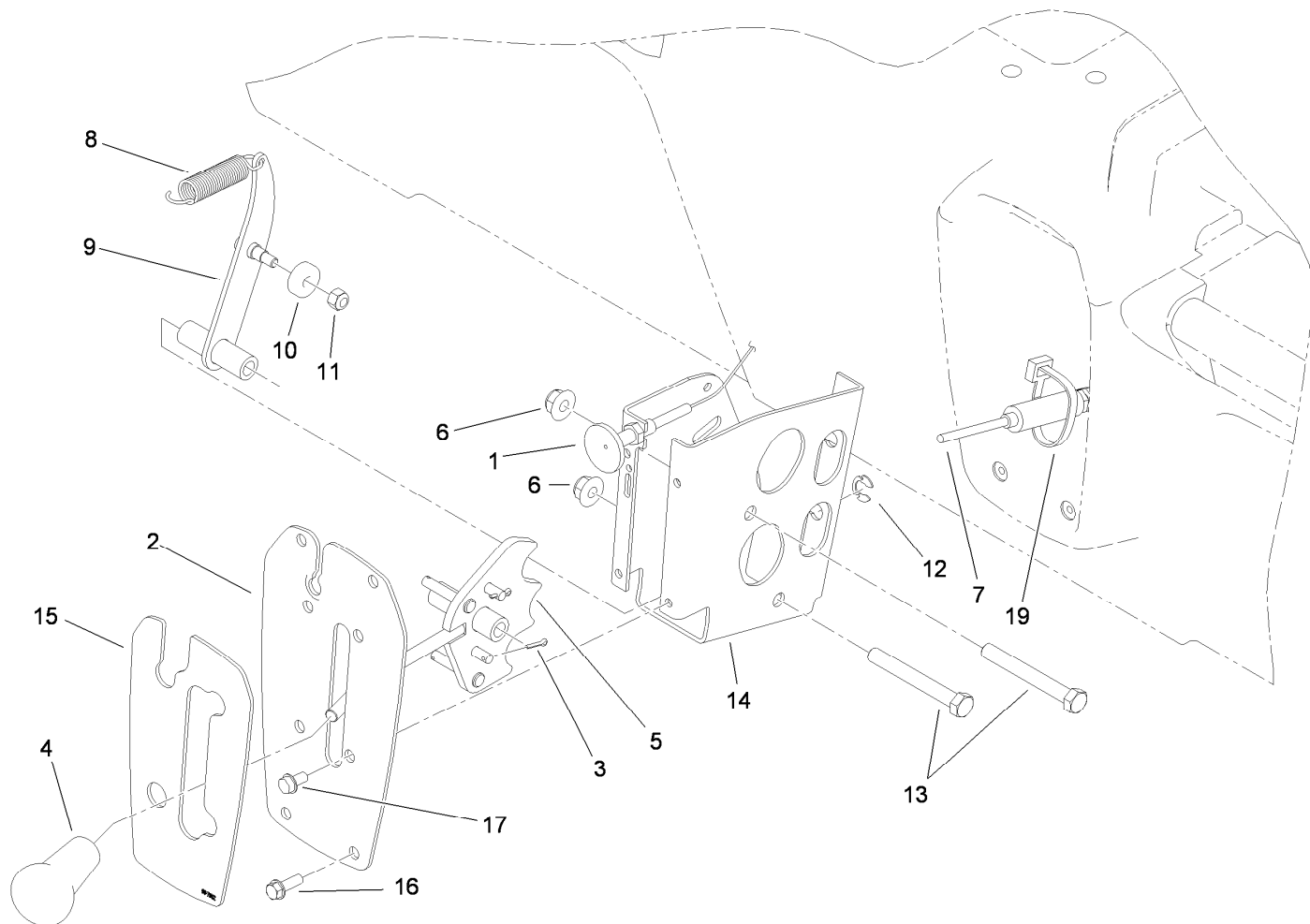
| <i>Ref.</i> | <i>Part Number</i> | <i>Qty.</i> | <i>Description</i> | <i>Ref.</i> | <i>Part Number</i> | <i>Qty.</i> | <i>Description</i> |
|-------------|--------------------|-------------|--------------------------------------|-------------|--------------------|-------------|-------------------------|
| 1 | 99-7411 | 1 | Point-Power | 25 | 322-11 | 2 | Screw-HH |
| 2 | 99-7416 | 1 | Cap | 26 | 114-8304 | 1 | Bracket-Dash Mount, RH |
| 3 | 112-3323 | 1 | Ignition Switch ASM | 27 | 114-8312 | 1 | Bracket-Dash Mount, LH |
| 3:1 | | 1 | Switch-Ignition ● | 28 | 110-2594 | 1 | Horn ASM |
| 3:2 | 108-8660 | 1 | Nut-Mounting | 29 | 322-3 | 2 | Screw-HH |
| 3:3 | 99-7418 | 1 | Key-Ignition | 30 | 42862 | 1 | Block-Terminal, Ground |
| 3:4 | 108-8659 | 1 | Washer-Backup | 31 | 42863 | 1 | Strip-Jumper |
| 4 | 104-7048 | 1 | Cap-Housing | 32 | 32105-13 | 4 | Screw-HWH |
| 5 | 99-7420 | 1 | Plug-Hole | 34 | 112-3376-03 | 1 | Plate-Mount, Electrical |
| 6 | 99-7410 | 1 | Indicator-Light, Low-Oil Pressure | 35 | 112-3325 | 1 | Decal-Block, Fuse |
| 7 | 95-8999 | 1 | Switch | 36 | 119-5774 | 1 | Harness-Wire |
| 8 | 94-4208 | 1 | Hourmeter | 36:1 | 100-4918 | 1 | Diode |
| 9 | 112-3324 | 1 | Switch-Horn | 36:2 | 218-578 | 1 | Fuse-10 Amp |
| 10 | 112-3313 | 1 | Cap And Nut ASM | 36:3 | 109355 | 1 | Fuse-15 Amp |
| 11 | 104-8300 | 21 | Nut-Flange, NI | 36:4 | 109101 | 1 | Fuse-20 Amp |
| 12 | 104-7050 | 1 | Tube-Manual | 36:5 | 114-3342 | 1 | Fuse-Maxi, 60 Amp |
| 13 | 3234-11 | 2 | Screw-HHF | 37 | 100-4352 | 1 | Screw-HWH |
| 14 | 2412-133 | 2 | R-Clamp | 38 | 3255-8 | 2 | Washer-Lock |
| 15 | 114-8310 | 1 | Dash ASM | 39 | 3220-2 | 2 | Nut-Jam |
| 15:2 | 117-5001 | 1 | Decal-Panel, Control | 40 | 32149-8 | 2 | Nut-Keps |
| 15:3 | 104-6581 | 1 | Decal-Danger | 41 | 114-3315 | 1 | Solenoid-12 Vdc |
| 15:4 | 115-2412 | 1 | Decal-No Storage | 42 | 3234-33 | 2 | Screw-HHF |
| 16 | 104-6930 | 1 | Plug-Rubber | 43 | 3296-2 | 4 | Nut-Lock, NI |
| 17 | 112-3320 | 1 | Handle-Grip | 44 | 321-3 | 1 | Screw-HH |
| 18 | 114-8301 | 2 | Spacer | 45 | 119-9492 | 1 | Regulator-Voltage |
| 19 | 112-3391-03 | 1 | Bracket-Grip, Handle | 46 | 322-2 | 2 | Screw-HH |
| 21 | 104-7201 | 5 | Nut-HF | 47 | 114-5502 | 1 | Clip-Fuse |
| 22 | 110-5053 | 15 | Screw-Flange | 48 | 119-0752-03 | 1 | Mount-Component |
| 23 | 115-7651-03 | 1 | Dash Support ASM | 50 | 112-3027 | 1 | Cover-Controller |
| 24 | 104-8301 | 2 | Nut-Flange, NI | 52 | 114-8305 | 1 | Angle-Mount, Dash (LH) |
| | | | | 53 | 112-3537 | 1 | Cable-Battery, Positive |

● Not serviced separately



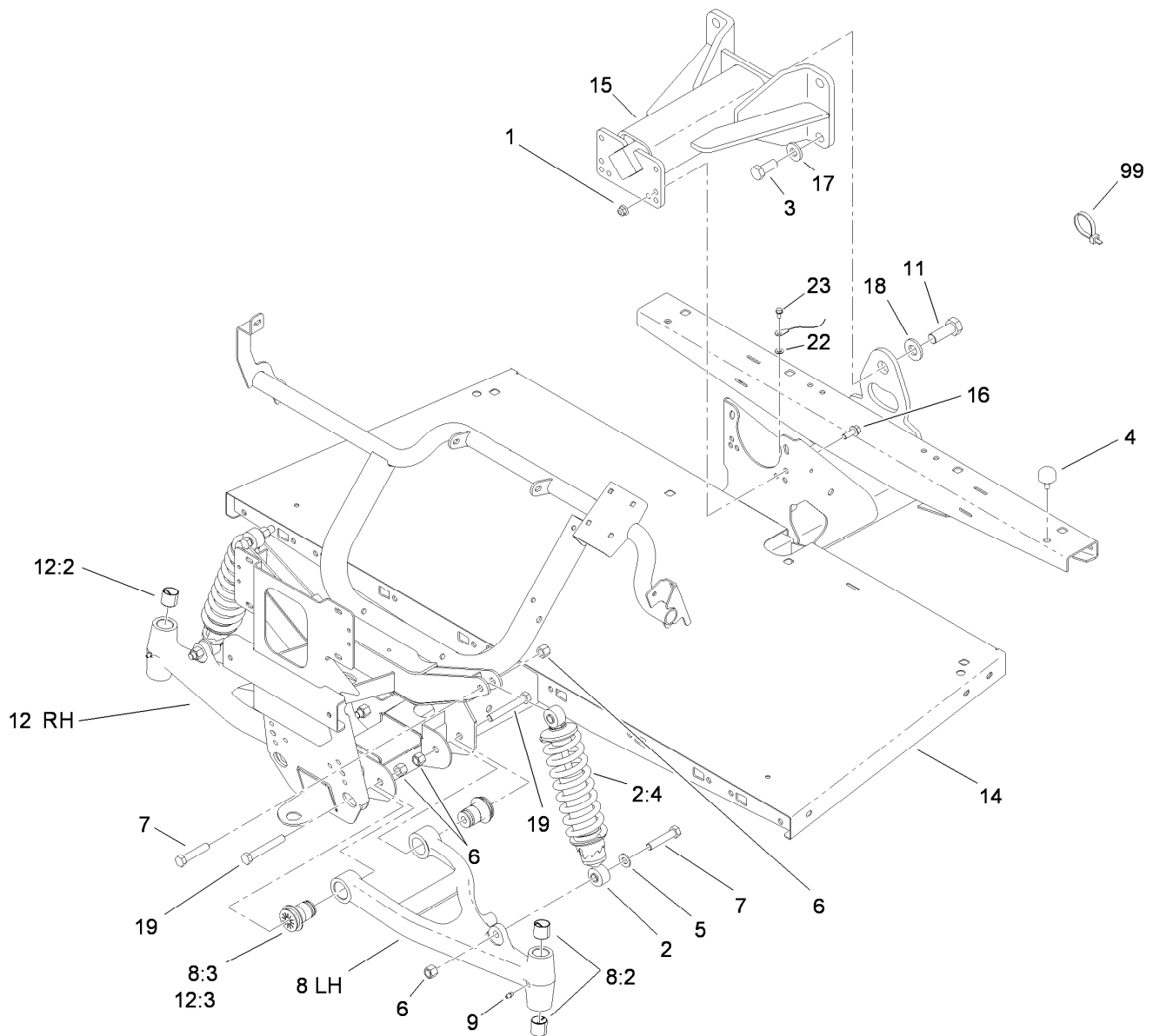
Pedal Box Assembly

| <i>Ref.</i> | <i>Part Number</i> | <i>Qty.</i> | <i>Description</i> | <i>Ref.</i> | <i>Part Number</i> | <i>Qty.</i> | <i>Description</i> |
|-------------|--------------------|-------------|-------------------------|-------------|--------------------|-------------|--------------------|
| 1 | 119-0748-03 | 1 | Pedal Support Frame ASM | 11 | 323-11 | 2 | Screw-HH |
| 2 | 115-7630-03 | 1 | Throttle Pedal ASM | 12 | 323-4 | 2 | Screw-HH |
| 3 | 112-3314-03 | 1 | Brake Pedal ASM | 13 | 104-8301 | 4 | Nut-Flange, NI |
| 4 | 321-7 | 2 | Screw-HH | 14 | 104-7164 | 2 | Pivot-Pedal |
| 5 | 32149-2 | 2 | Nut-Keps | 15 | 32144-4 | 2 | Screw-HWH |
| 6 | 104-6415 | 1 | Spring-Return, Pedal | 16 | 115-7619-03 | 1 | Cover |
| 7 | 99-7407 | 1 | Switch | 17 | 115-7632 | 1 | Bolt-Shoulder |
| 8 | 3290-134 | 2 | Screw | 18 | 3296-47 | 1 | Nut-Lock, NI |
| 9 | 1-633181 | 1 | Plate-Tapped | 19 | 322-3 | 2 | Screw-HH |
| 10 | 256-155 | 4 | Bushing-Flange | 20 | 104-8300 | 2 | Nut-Flange, NI |



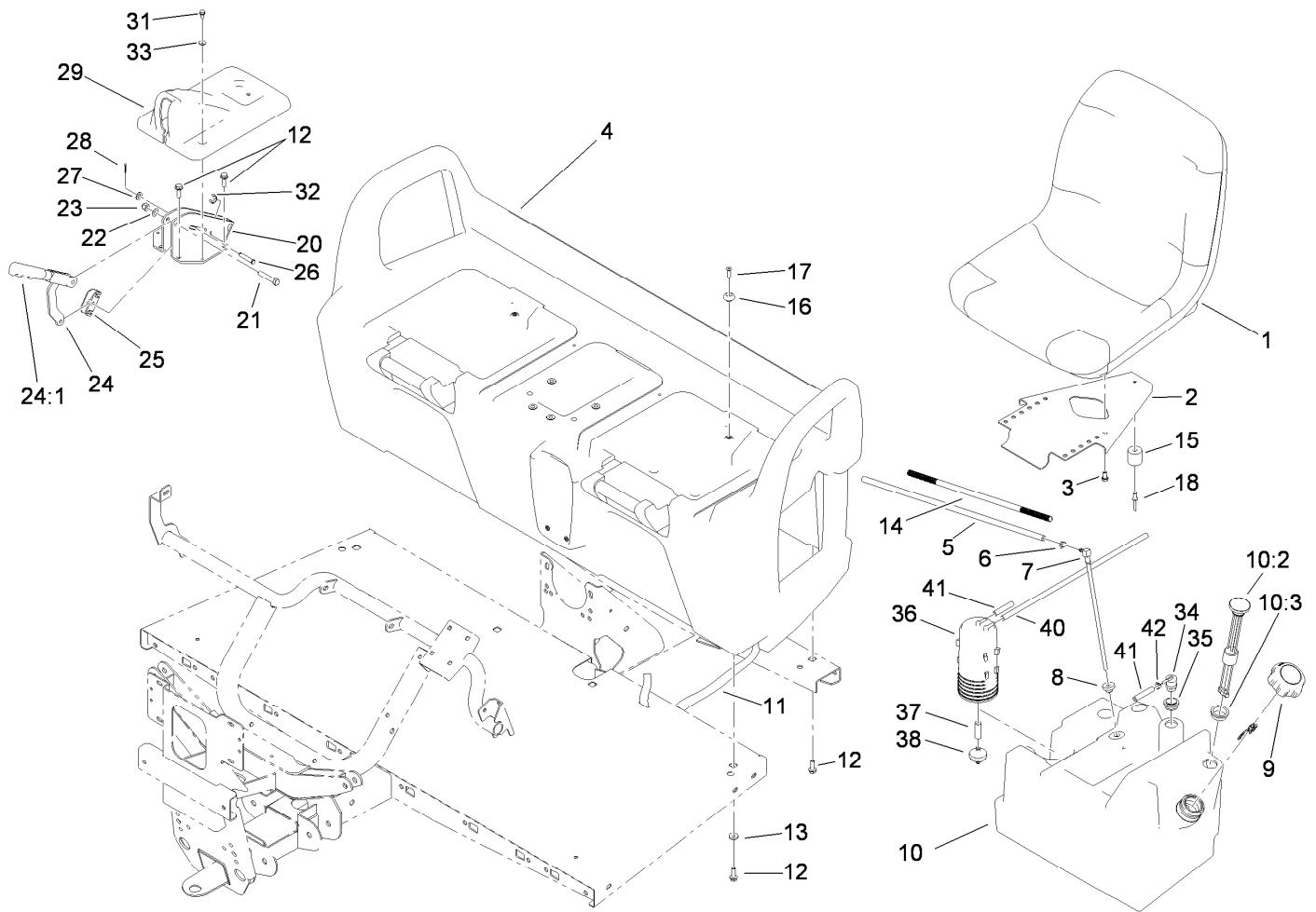
Shifter Assembly

| <i>Ref.</i> | <i>Part Number</i> | <i>Qty.</i> | <i>Description</i> | <i>Ref.</i> | <i>Part Number</i> | <i>Qty.</i> | <i>Description</i> |
|-------------|--------------------|-------------|---------------------------|-------------|--------------------|-------------|--------------------|
| 1 | 104-6507 | 1 | Cable-Choke | 10 | 251-307 | 1 | Bearing-Ball |
| 2 | 99-7887-03 | 1 | Plate-Shifter | 11 | 3296-42 | 1 | Nut-Lock, NI |
| 3 | 3272-5 | 2 | Pin-Cotter | 12 | 32151-101 | 2 | E-Ring |
| 4 | 99-7981 | 1 | Knob-Grip, Soft | 13 | 323-14 | 2 | Screw-HH |
| 5 | 114-2719 | 1 | Plate-Detent | 14 | 108-3141-03 | 1 | Bracket-Shift |
| 6 | 104-8301 | 2 | Nut-Flange, NI | 15 | 99-7952 | 1 | Decal-Shifter |
| 7 | 115-7679 | 2 | Tension Cable Control ASM | 16 | 32105-15 | 4 | Screw |
| 8 | 104-6415 | 1 | Spring-Return, Pedal | 17 | 32144-4 | 4 | Screw-HWH |
| 9 | 108-3138 | 1 | Arm-Detent | 19 | 3290-378 | 1 | Tie-Cable |



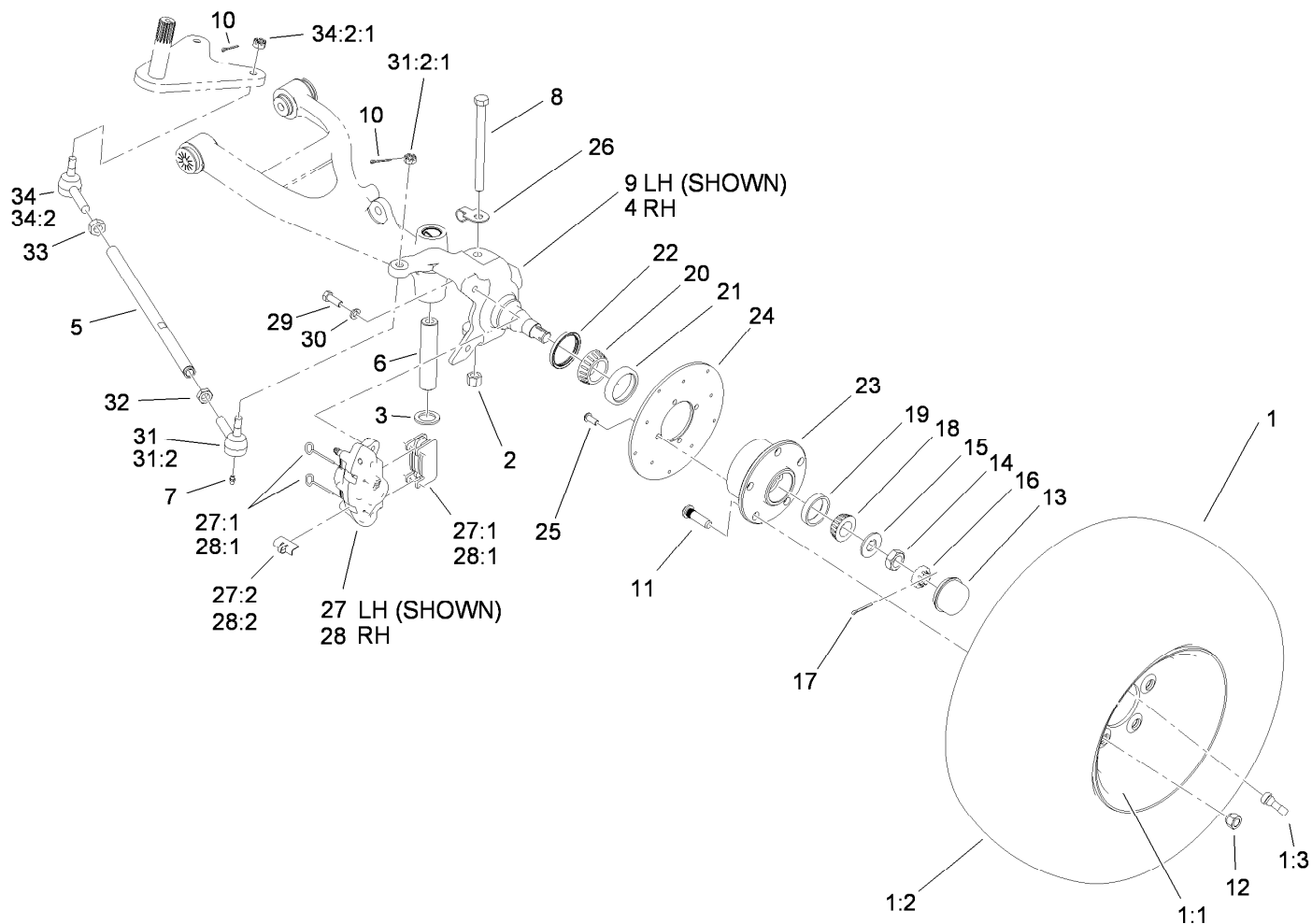
Front Frame Assembly

| <i>Ref.</i> | <i>Part Number</i> | <i>Qty.</i> | <i>Description</i> | <i>Ref.</i> | <i>Part Number</i> | <i>Qty.</i> | <i>Description</i> |
|-------------|--------------------|-------------|--------------------|-------------|--------------------|-------------|--------------------|
| 1 | 104-8301 | 4 | Nut-Flange, NI | 12 | 114-8314 | 1 | RH A-Arm ASM |
| 2 | 112-2975 | 2 | Shock/Spring ASM | 12:2 | 3-0348 | 2 | Bushing |
| 2:4 | 112-3383 | 1 | Spring | 12:3 | 87-1450 | 2 | Bushing-Flange |
| 3 | 327-4 | 4 | Screw-HH | 14 | 112-3340-03 | 1 | Front Frame ASM |
| 4 | 87-2440 | 1 | Bumper-Rubber | 15 | 99-7700 | 1 | Pivot Yoke ASM |
| 5 | 51-3500 | 2 | Washer | 16 | 3234-11 | 4 | Screw-HHF |
| 6 | 3296-23 | 8 | Nut-Lock, NI | 17 | 99-7667 | 4 | Washer-Flat |
| 7 | 325-10 | 4 | Screw-HH | 18 | 87-3060 | 1 | Washer-Hardened |
| 8 | 114-8313 | 1 | LH A-Arm ASM | 19 | 325-14 | 4 | Screw-HH |
| 8:2 | 3-0348 | 2 | Bushing | 22 | 3254-16 | 1 | Washer-Lock/Int |
| 8:3 | 87-1450 | 2 | Bushing-Flange | 23 | 32144-4 | 1 | Screw-HWH |
| 9 | 302-5 | 2 | Fitting-Grease | 99 | 3290-379 | 12 | Tie-Cable |
| 11 | 328-24 | 1 | Screw-HH | | | | |



Seat Base Assembly

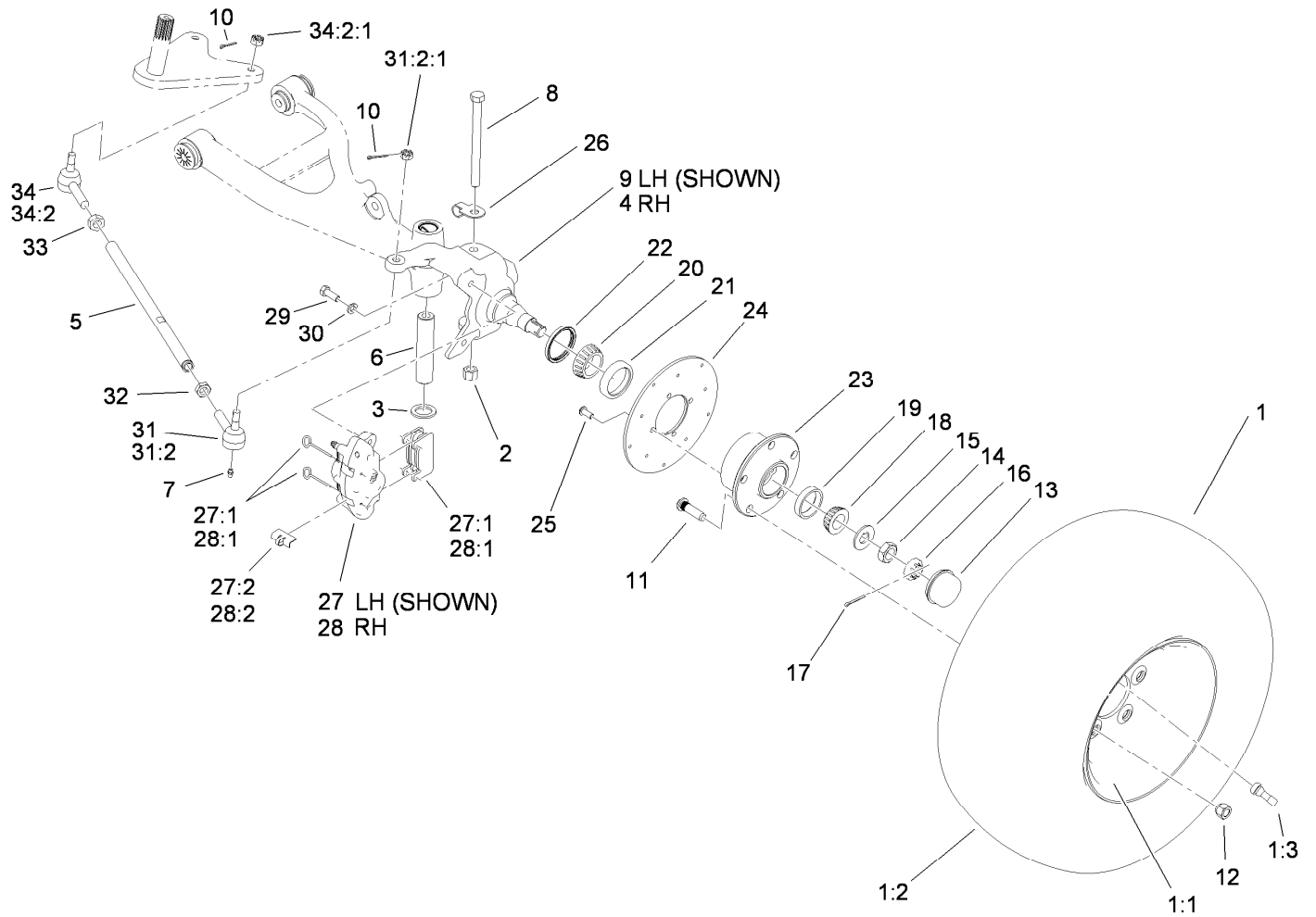
| <i>Ref.</i> | <i>Part Number</i> | <i>Qty.</i> | <i>Description</i> | <i>Ref.</i> | <i>Part Number</i> | <i>Qty.</i> | <i>Description</i> |
|-------------|--------------------|-------------|------------------------|-------------|--------------------|-------------|--------------------------|
| 1 | 112-2923 | 2 | Seat ASM | 21 | 323-10 | 1 | Screw-HH |
| 2 | 99-7829 | 2 | Bracket-Seat | 22 | 3290-477 | 1 | Washer-Curved |
| 3 | 33114-016 | 8 | Screw-HH | 23 | 3296-39 | 1 | Nut-Lock, NI |
| 4 | 104-6847 | 1 | Seat Base ASM | 24 | 104-6842 | 1 | Lever-Brake, Park |
| 5 | 110-4103 | 1 | Hose-Fuel | 24:1 | 106-7972 | 1 | Grip-Handle |
| 6 | 2412-98 | 1 | Clamp | 25 | 87-3480 | 1 | Bracket-Equalizer, Cable |
| 7 | 99-7264 | 1 | Pipe-Stand | 26 | 94-3829 | 1 | Pin-Clevis |
| 8 | 46-6560 | 1 | Bushing | 27 | 3256-23 | 1 | Washer-Flat |
| 9 | 115-7788 | 1 | Cap-Fuel | 28 | 3272-6 | 1 | Pin-Cotter |
| 10 | 119-0784 | 1 | Fuel Tank ASM | 29 | 104-7014 | 1 | Cover-Brake, Parking |
| 10:2 | 99-7262 | 1 | Gauge-Fuel | 31 | 32144-4 | 2 | Screw-HWH |
| 10:3 | 95-8972 | 1 | Grommet | 32 | 32120-47 | 2 | Ring-Retaining, External |
| 11 | 3339-175 | 1 | Strapping-Web, 48 Inch | 33 | 3256-1 | 2 | Washer-Flat |
| 12 | 3234-17 | 12 | Screw-HHF | 34 | 114-0285 | 1 | Valve-Rollover |
| 13 | 88-7200 | 8 | Washer-Flat | 35 | 114-0284 | 1 | Grommet |
| 14 | 112-3337 | 1 | Conduit-Line, Fuel | 36 | 117-1221 | 1 | Canister-Carbon, 800Cc |
| 15 | 99-7830 | 2 | Rubber Receptical ASM | 37 | 106-5317 | 1 | Hose-Fuel |
| 16 | 99-7833 | 2 | Post-Holding | 38 | 115-7854 | 1 | Filter-Fuel, Inline |
| 17 | 32108-5 | 2 | Screw-FH | 40 | 109-0273 | 1 | Hose-Fuel |
| 18 | 3290-412 | 2 | Rivet | 41 | 110-8751 | 1 | Hose-Fuel |
| 20 | 104-6844-03 | 1 | Support-Brake, Park | 42 | 2412-146 | 1 | Clamp-Hose |



Front Tire, Spindle and Tie Rod Assembly

| Ref. | Part Number | Qty. | Description | Ref. | Part Number | Qty. | Description |
|------|-------------|------|--------------------|------|-------------|------|--------------------------|
| 1 | 104-7290 | 2 | Tire And Wheel ASM | 17 | 3272-12 | 2 | Pin-Cotter |
| 1:1 | 104-7288 | 1 | Wheel | 18 | 254-94 | 2 | Bearing-Cone, Tapered |
| 1:2 | 104-7289 | 1 | Tire | 19 | 254-72 | 2 | Bearing-Cup, Tapered |
| 1:3 | 232-27 | 1 | Stem-Valve | 20 | 254-106 | 2 | Cone-Bearing, Tapered |
| 2 | 3296-23 | 2 | Nut-Lock, NI | 21 | 254-107 | 2 | Cup-Bearing, Tapered |
| 3 | 256-115 | 2 | Washer-Thrust | 22 | 108-7019 | 2 | Seal-Shaft |
| 4 | 112-3167 | 1 | Spindle-RH | 23 | 104-6809 | 2 | Hub |
| 5 | 115-7654 | 2 | Tie Rod | 24 | 104-6891 | 2 | Rotor |
| 6 | 99-7499 | 2 | Sleeve-Kingpin | 25 | 3274-55 | 8 | Screw-HSBH |
| 7 | 302-5 | 4 | Fitting-Grease | 26 | 112-3311 | 2 | Clip-Hose |
| 8 | 325-20 | 2 | Screw-HH | 27 | 112-3150 | 1 | Caliper-LH |
| 9 | 112-3166 | 1 | Spindle-LH | 27:1 | 107-0708 | 1 | Friction Pad And Pin Kit |
| 10 | 3272-7 | 4 | Pin-Cotter | 27:2 | 112-3152 | 1 | Spring-Rattle, Anti |
| 11 | 10-6830 | 10 | Stud-Type, Drive | 28 | 112-3151 | 1 | Caliper-RH |
| 12 | 242-50 | 10 | Nut-Lug | 28:1 | 107-0708 | 1 | Friction Pad And Pin Kit |
| 13 | 241-119 | 2 | Cap-Dust | 28:2 | 112-3152 | 1 | Spring-Rattle, Anti |
| 14 | 3220-7 | 2 | Nut-Jam | 29 | 323-6 | 4 | Screw-HH |
| 15 | 93-0309 | 2 | Washer-Tab | 30 | 3253-21 | 4 | Washer-Lock |
| 16 | 93-0307 | 2 | Nut-Lock, Retainer | 31 | 112771-03 | 2 | LH Ball Joint ASM |

● Not serviced separately

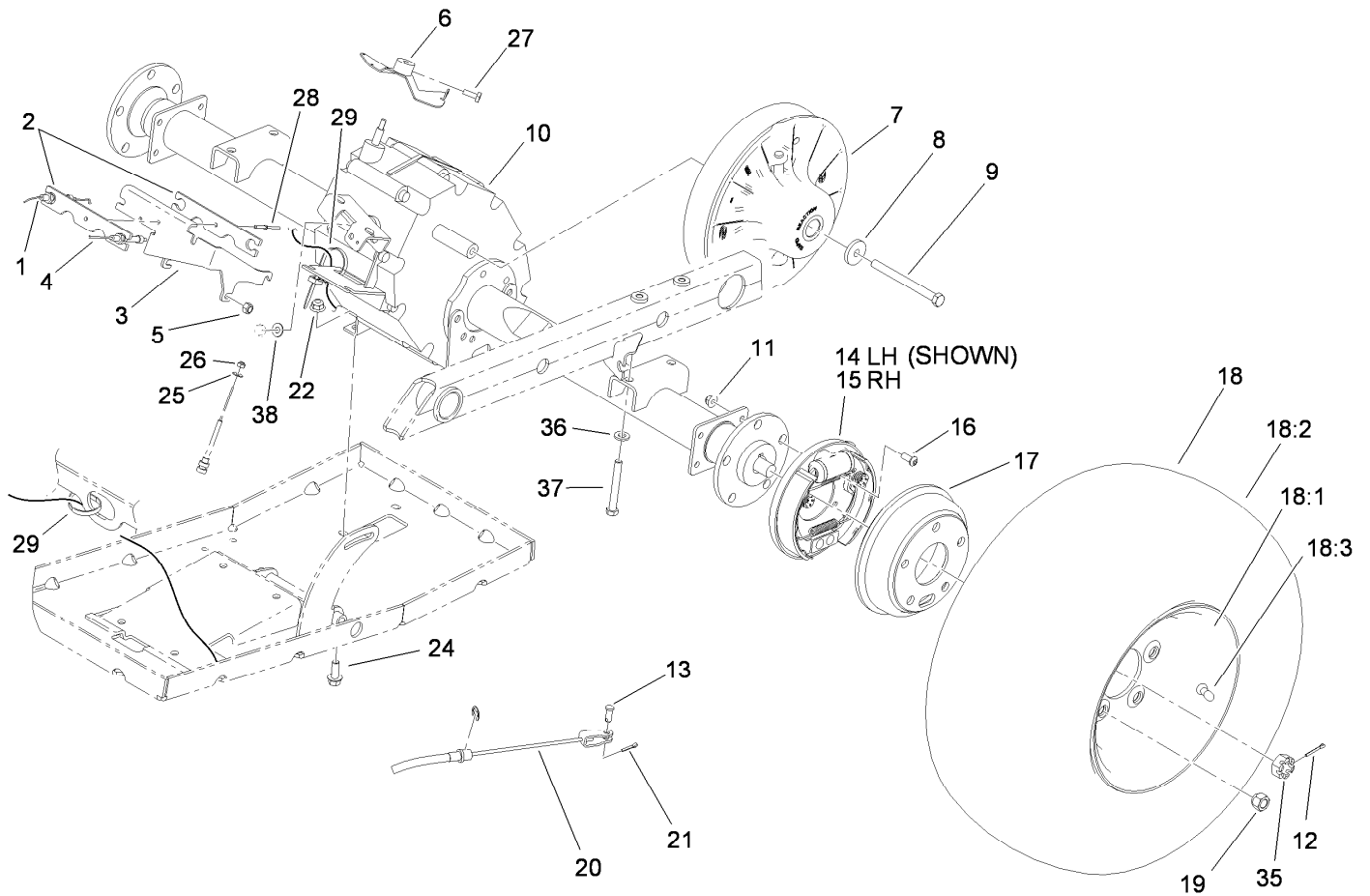


Front Tire, Spindle and Tie Rod Assembly (continued)

| Ref. | Part Number | Qty. | Description |
|--------|-------------|------|------------------|
| 31:2 | | 1 | Joint-Ball, LH ● |
| 31:2:1 | 915031 | 1 | Nut |
| 32 | 3218-21 | 2 | Nut-Jam |
| 33 | 3220-11 | 2 | Nut-Jam |

| Ref. | Part Number | Qty. | Description |
|--------|-------------|------|-------------------|
| 34 | 112772-03 | 2 | RH Ball Joint ASM |
| 34:2 | | 1 | Joint-Ball, RH ● |
| 34:2:1 | 915031 | 1 | Nut |

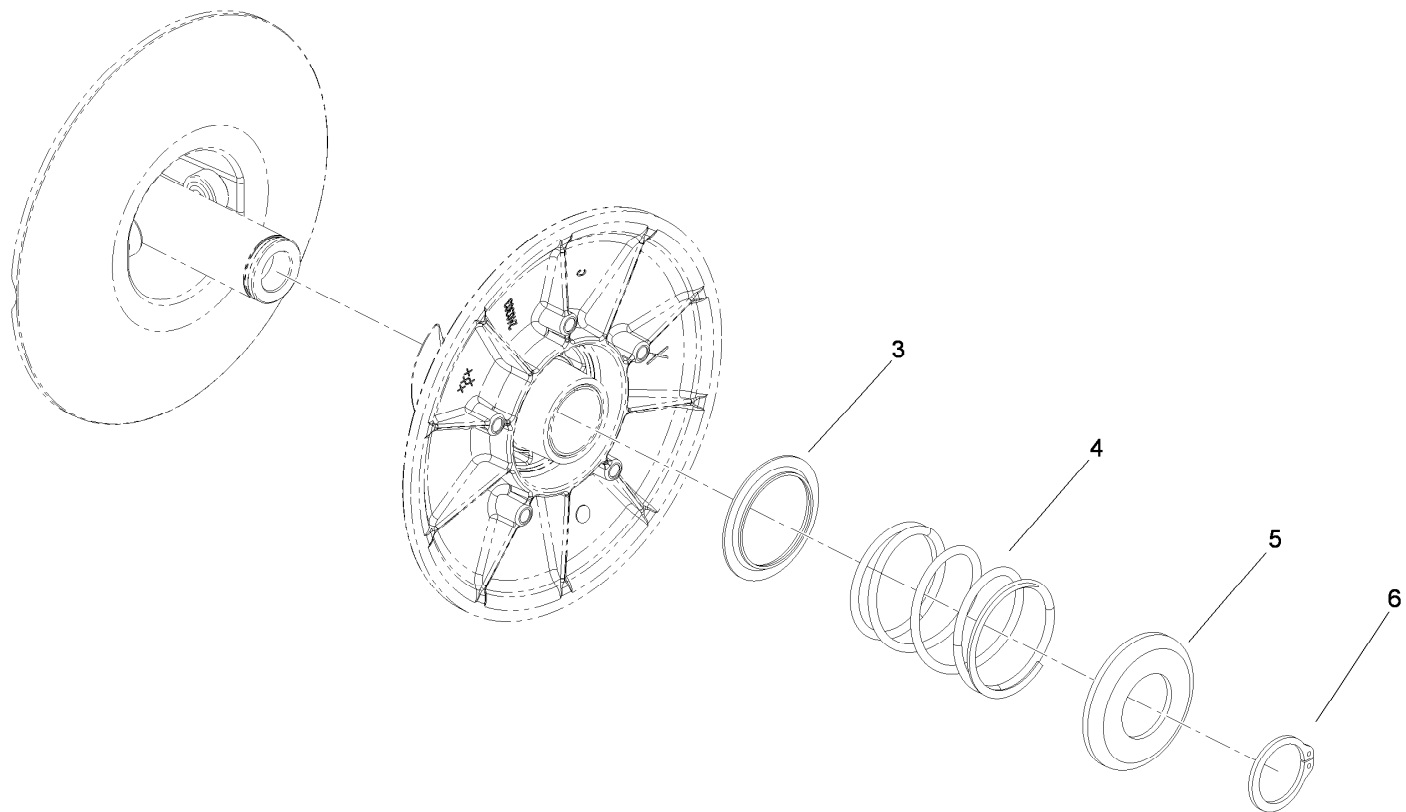
● Not serviced separately



Rear Tire and Transaxle Assembly

| Ref. | Part Number | Qty. | Description | Ref. | Part Number | Qty. | Description |
|------|-------------|------|----------------------|------|-------------|------|-----------------|
| 1 | 104-6474 | 1 | Cable-Governor | 18:1 | 104-7288 | 1 | Wheel |
| 2 | 99-7121 | 2 | Bracket-Tamper | 18:2 | 104-7289 | 1 | Tire |
| 3 | 99-7054 | 1 | Bracket-Cables | 18:3 | 232-27 | 1 | Stem-Valve |
| 4 | 115-7613 | 1 | Cable-Accelerator | 19 | 242-50 | 10 | Nut-Lug |
| 5 | 33024-00 | 3 | Nut-Lock | 20 | 112-3309 | 2 | Cable-Brake |
| 6 | 104-6569 | 1 | Bracket-Governor | 21 | 3272-10 | 2 | Pin-Cotter |
| 7 | 119-0803 | 1 | Clutch-Secondary | 22 | 104-8301 | 4 | Nut-Flange, NI |
| 8 | 104-6563 | 1 | Washer-Stepped | 24 | 3234-11 | 4 | Screw-HHF |
| 9 | 119-0723 | 1 | Screw-HH, Lock | 25 | 3256-49 | 2 | Washer-Flat |
| 10 | 115-2300 | 1 | Transaxle | 26 | 3296-2 | 2 | Nut-Lock, NI |
| 11 | 104-8300 | 8 | Nut-Flange, NI | 27 | 3241-6 | 2 | Screw-SQH |
| 12 | 3272-12 | 2 | Pin-Cotter | 28 | 99-7122 | 1 | Rivet-Annodized |
| 13 | 283-62 | 2 | Pin-Clevis | 29 | 3290-378 | 2 | Tie-Cable |
| 14 | 114-8332 | 1 | LH Brake ASM | 35 | 104-1656 | 2 | Nut-Castle |
| 15 | 114-8331 | 1 | RH Brake ASM | 36 | 100-4852 | 4 | Washer-Hardened |
| 16 | 3274-55 | 8 | Screw-HSBH | 37 | 323-14 | 4 | Screw-HH |
| 17 | 104-6500 | 2 | Drum-Brake | 38 | 87-8640 | 1 | Washer-Flat |
| 18 | | 2 | Tire And Wheel ASM ● | | | | |

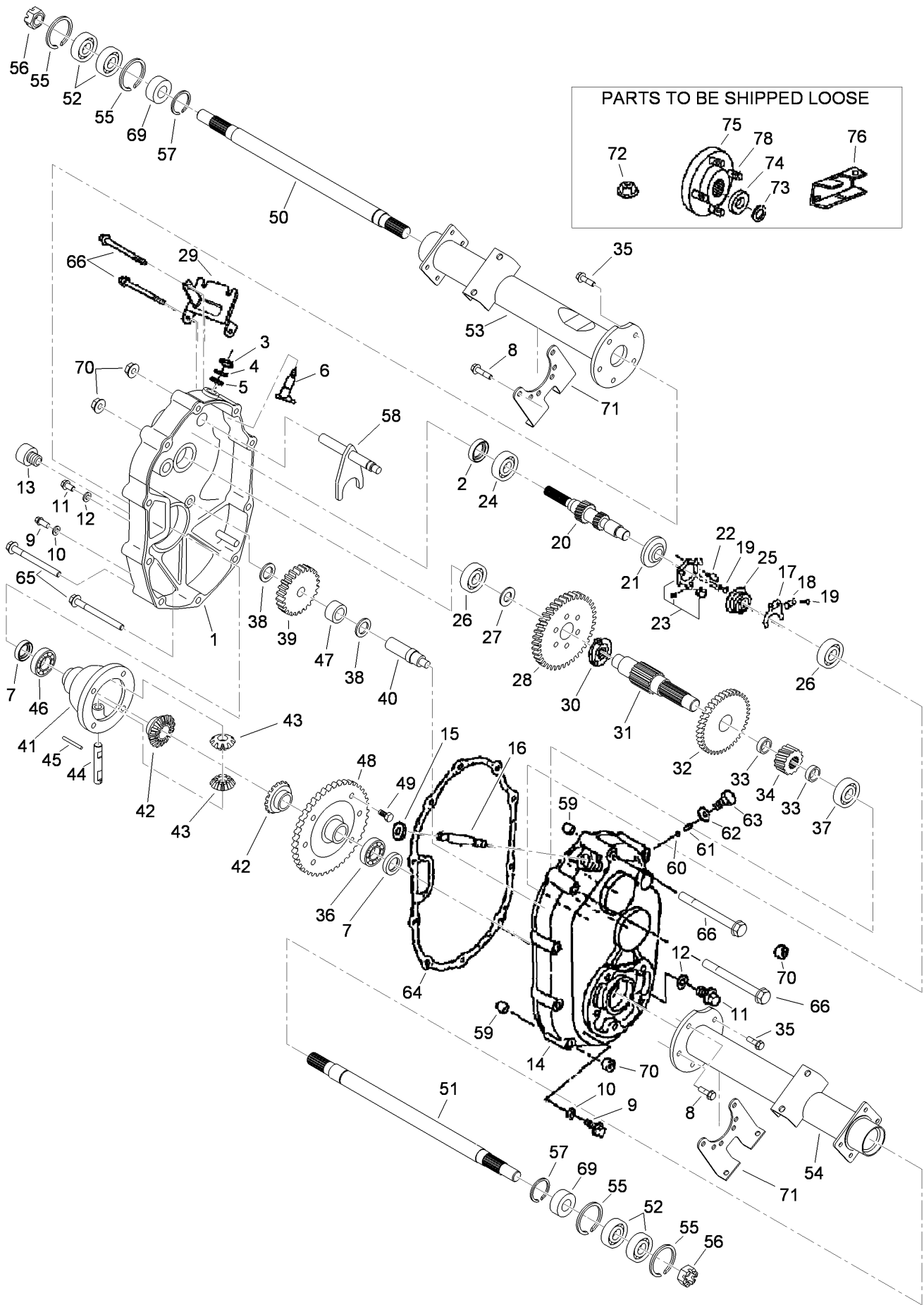
● Not serviced separately



Secondary Clutch Assembly No. 119-0803

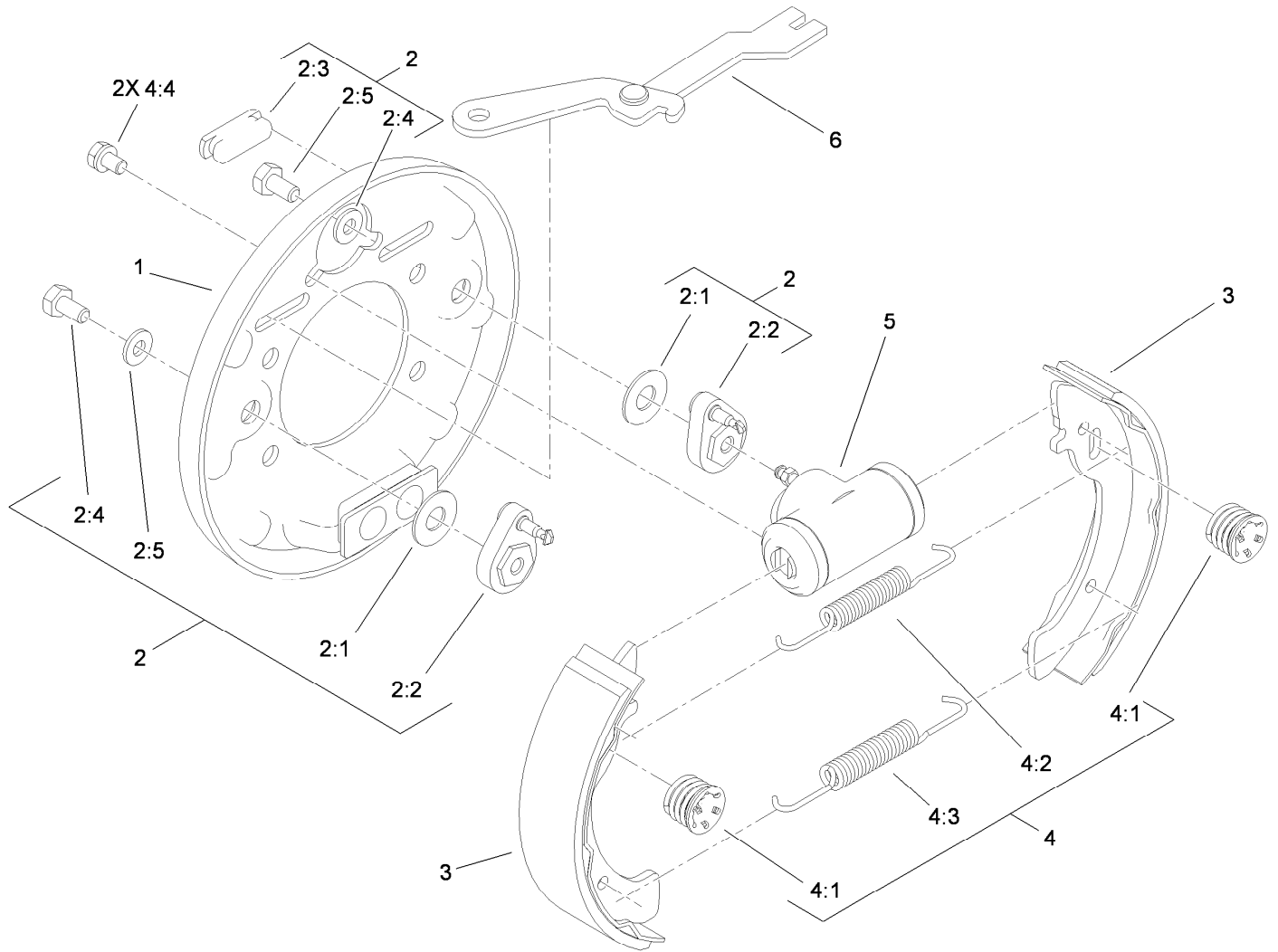
| <i>Ref.</i> | <i>Part Number</i> | <i>Qty.</i> | <i>Description</i> |
|-------------|--------------------|-------------|-------------------------------|
| 3 | 119-0809 | 1 | Cup-Spring Retainer, Inner |
| 4 | 119-0808 | 1 | Spring-Secondary (Black/Blue) |
| 5 | 119-0810 | 1 | Cup-Spring Retainer, Outer |
| 6 | 119-0811 | 1 | Ring-Retaining |

Transaxle Assembly No. 115-2300



Transaxle Assembly No. 115-2300 (continued)

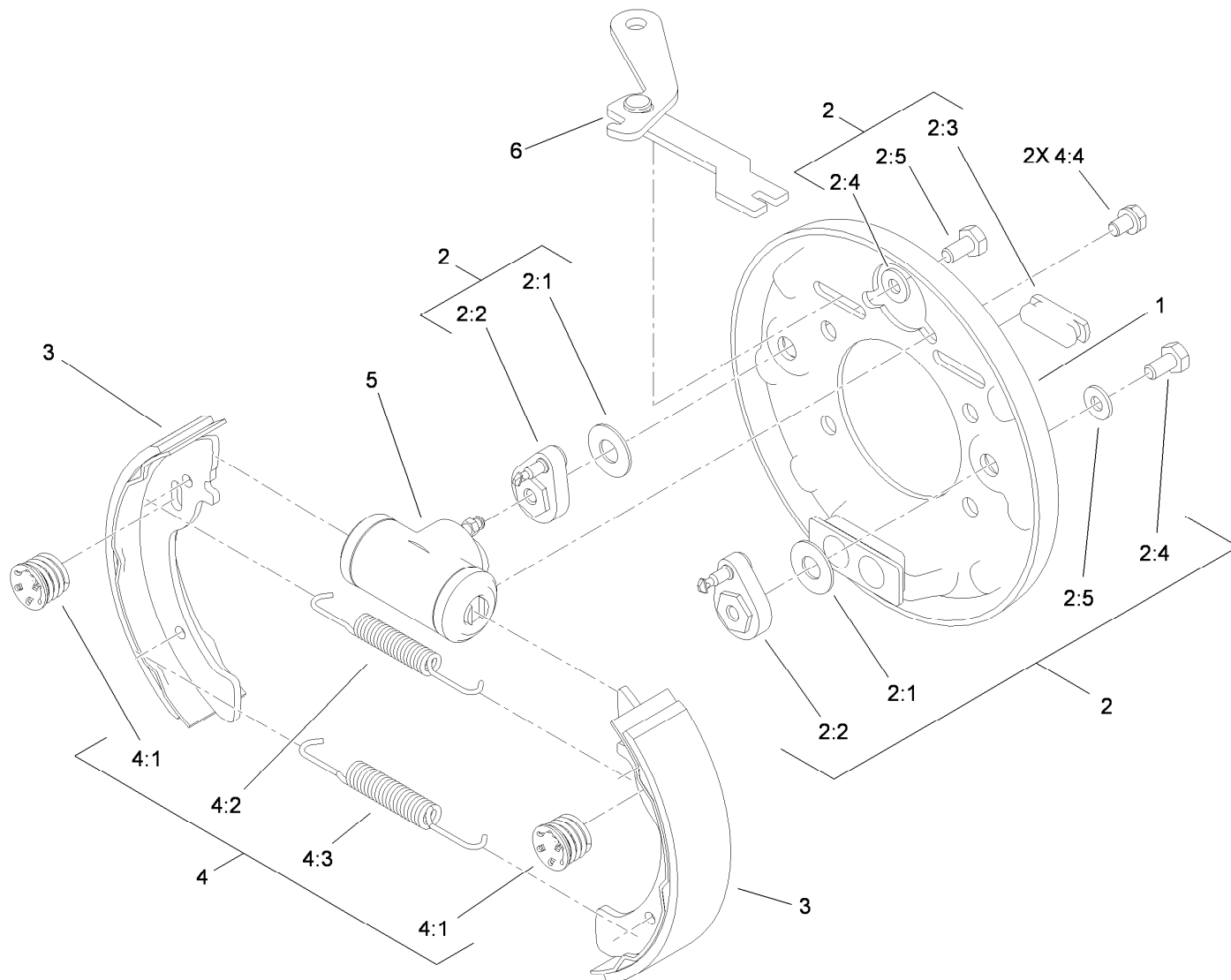
| <i>Ref.</i> | <i>Part Number</i> | <i>Qty.</i> | <i>Description</i> | <i>Ref.</i> | <i>Part Number</i> | <i>Qty.</i> | <i>Description</i> |
|-------------|--------------------|-------------|-----------------------|-------------|--------------------|-------------|-------------------------|
| 1 | 104-1601 | 1 | Case-LH, Complete | 39 | 104-1639 | 1 | Gear |
| 2 | 104-1602 | 1 | Seal-Oil | 40 | 104-1640 | 1 | Shaft-Counter |
| 3 | 104-1603 | 1 | Seal-Oil | 41 | 104-1641 | 1 | Case-Differential |
| 4 | 104-1604 | 1 | Ring-Snap | 42 | 104-1642 | 2 | Gear-Side, Differential |
| 5 | 104-1605 | 1 | Spacer | 43 | 104-1643 | 2 | Pinion-Differential |
| 6 | 104-1606 | 1 | Shaft-Selector | 44 | 104-1644 | 1 | Shaft-Differential |
| 7 | 104-1607 | 2 | Seal-Oil | 45 | 104-1645 | 1 | Pin |
| 8 | 104-1608 | 4 | Bolt-Flange | 46 | 104-1646 | 1 | Bearing-Ball |
| 9 | 104-1609 | 2 | Plug-Check, Oil | 47 | 104-1647 | 1 | Bearing-Needle |
| 10 | 104-1610 | 2 | Gasket | 48 | 104-1648 | 1 | Gear |
| 11 | 104-1611 | 2 | Plug-Drain, Oil | 49 | 104-1649 | 6 | Bolt |
| 12 | 104-1612 | 2 | Gasket | 50 | 104-1650 | 1 | Shaft-Axle, LH |
| 13 | 104-1613 | 1 | Plug-Filler, Oil | 51 | 104-1651 | 1 | Shaft-Axle, RH |
| 14 | 104-1614 | 1 | Case-Complete, RH | 52 | 104-1652 | 4 | Bearing-Ball |
| 15 | 104-1615 | 1 | Seal-Oil | 53 | 104-1653 | 1 | Case-Axle, LH |
| 16 | 104-1616 | 1 | Shaft-Governor | 54 | 104-1654 | 1 | Case-Axle, RH |
| 17 | 104-1617 | 1 | Fork-Governor | 55 | 104-1655 | 4 | Ring-Snap |
| 18 | 104-1618 | 1 | Stopper | 56 | 104-1656 | 2 | Nut-Castle |
| 19 | 104-1619 | 4 | Screw And Washer ASM | 57 | 104-1657 | 2 | Ring-Snap |
| 20 | 104-7002 | 1 | Shaft-Input, Complete | 58 | 104-6870 | 1 | Shaft-Shift, Complete |
| 21 | 104-1621 | 1 | Base-Governor | 59 | 104-1659 | 2 | Knock-Pipe |
| 22 | 104-1622 | 1 | Pin-Lock | 60 | 104-1660 | 1 | Ball-Steel |
| 23 | 104-1623 | 1 | Unit-Plate, Governor | 61 | 104-1661 | 1 | Spring |
| 24 | 104-1624 | 1 | Bearing-Ball | 62 | 104-1662 | 1 | Gasket |
| 25 | 104-1625 | 1 | Sleeve-Governor | 63 | 104-1663 | 1 | Bolt |
| 26 | 104-1626 | 2 | Bearing-Ball | 64 | 104-1664 | 1 | Gasket |
| 27 | 104-1627 | 1 | Spacer | 65 | 104-1665 | 6 | Bolt-Flange |
| 28 | 104-1628 | 1 | Gear | 66 | 104-1666 | 4 | Bolt-Flange |
| 29 | 115-7672 | 1 | Bracket-Wire, Change | 69 | 104-6867 | 2 | Collar |
| 30 | 104-1630 | 1 | Clutch-Pin | 70 | 33004-00 | 11 | Nut-HF |
| 31 | 104-1631 | 1 | Shaft-Center | 71 | 104-1671 | 2 | Bracket-Axle |
| 32 | 104-1632 | 1 | Gear | 72 | 104-1672 | 1 | Nut-Lock |
| 33 | 104-1633 | 2 | Collar | 73 | 104-1673 | 2 | Washer-Spring |
| 34 | 104-1634 | 1 | Gear | 74 | 104-1674 | 2 | Washer |
| 35 | 104-1635 | 6 | Bolt-Flange | 75 | 104-1675 | 2 | Hub |
| 36 | 104-1636 | 1 | Bearing-Ball | 76 | 112-3287 | 1 | Lever-Select |
| 37 | 104-1637 | 1 | Bearing-Ball | 78 | 104-8649 | 10 | Stud |
| 38 | 104-1638 | 2 | Spacer | | | | |



LH Rear Brake Assembly No. 114-8332

| Ref. | Part Number | Qty. | Description |
|------|-------------|------|---------------------------|
| 1 | 100-8586 | 1 | Backing Plate ASM |
| 2 | 104-6820 | 1 | Adjuster Kit |
| 2:1 | 100-8585 | 2 | Washer-Bellville |
| 2:2 | 100-8588 | 2 | Adjuster Lever ASM |
| 2:3 | 100-8584 | 2 | Cover-Dust |
| 2:4 | | 2 | Washer ● |
| 2:5 | | 2 | Bolt ● |
| 3 | 104-6818 | 4 | Shoe And Lining Kit |
| 4 | 104-6819 | 1 | Hardware Kit |
| 4:1 | 100-8583 | 2 | Shoe Hold Down Spring ASM |
| 4:2 | 100-8581 | 2 | Spring-Upper |
| 4:3 | 100-8582 | 2 | Spring-Lower |
| 4:4 | | 2 | Bolt And Washer ● |
| 5 | 114-8333 | 1 | Wheel Cylinder ASM |
| 6 | 104-6825 | 1 | LH Park Brake Lever ASM |

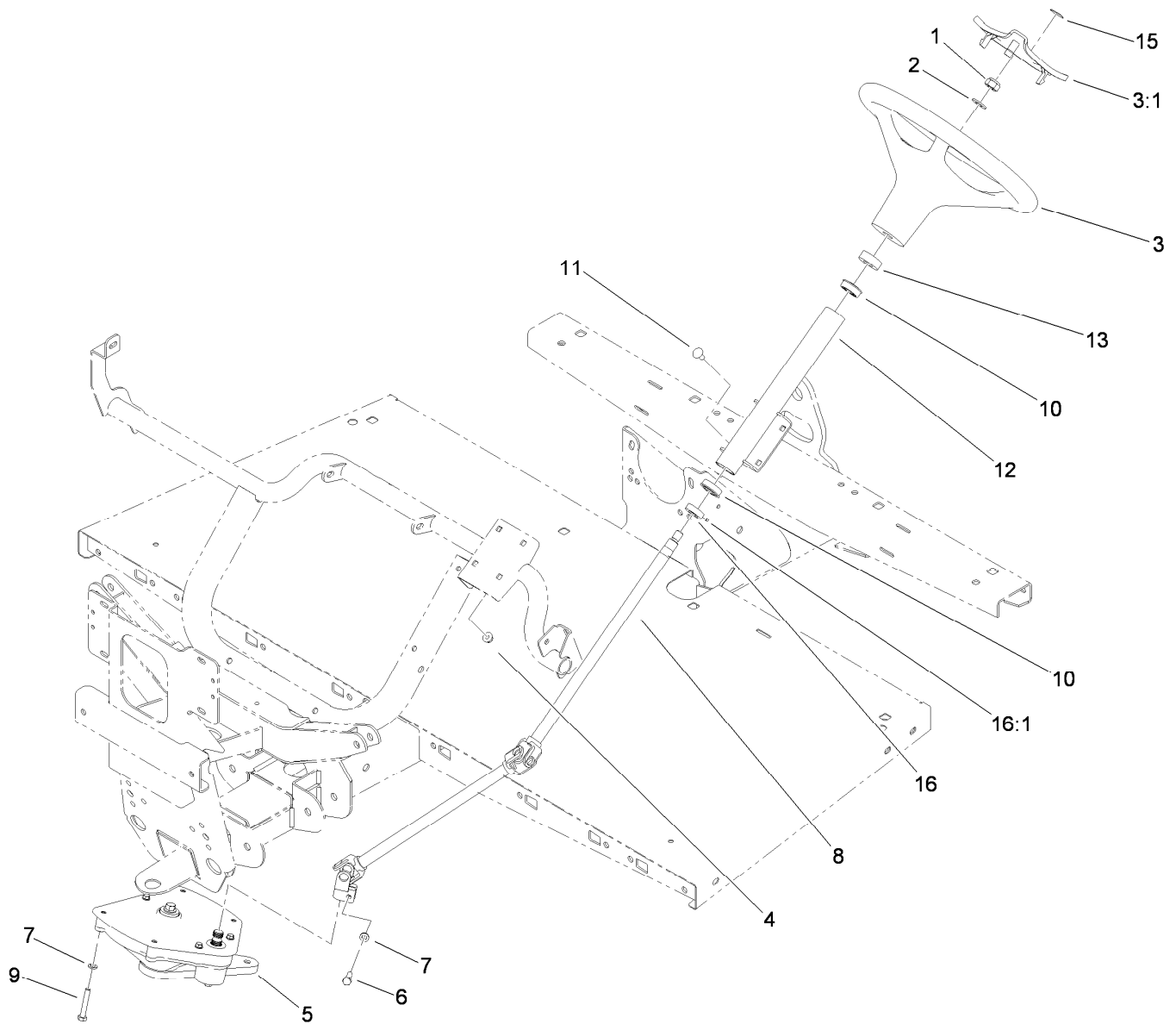
● Not serviced separately



RH Rear Brake Assembly No. 114-8331

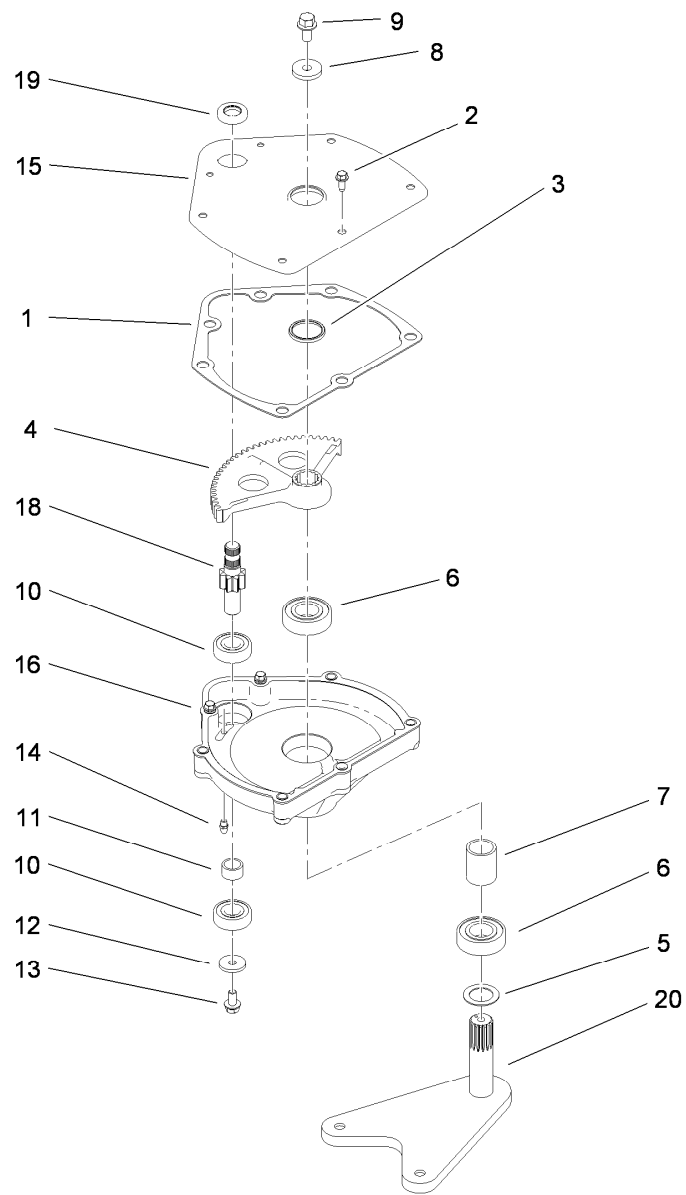
| Ref. | Part Number | Qty. | Description |
|------|-------------|------|---------------------------|
| 1 | 100-8586 | 1 | Backing Plate ASM |
| 2 | 104-6820 | 1 | Adjuster Kit |
| 2:1 | 100-8585 | 2 | Washer-Bellville |
| 2:2 | 100-8588 | 2 | Adjuster Lever ASM |
| 2:3 | 100-8584 | 2 | Cover-Dust |
| 2:4 | | 2 | Washer ● |
| 2:5 | | 2 | Bolt ● |
| 3 | 104-6818 | 4 | Shoe And Lining Kit |
| 4 | 104-6819 | 1 | Hardware Kit |
| 4:1 | 100-8583 | 2 | Shoe Hold Down Spring ASM |
| 4:2 | 100-8581 | 2 | Spring-Upper |
| 4:3 | 100-8582 | 2 | Spring-Lower |
| 4:4 | | 2 | Bolt And Washer ● |
| 5 | 114-8333 | 1 | Wheel Cylinder ASM |
| 6 | 104-6826 | 1 | RH Park Brake Lever ASM |

● Not serviced separately



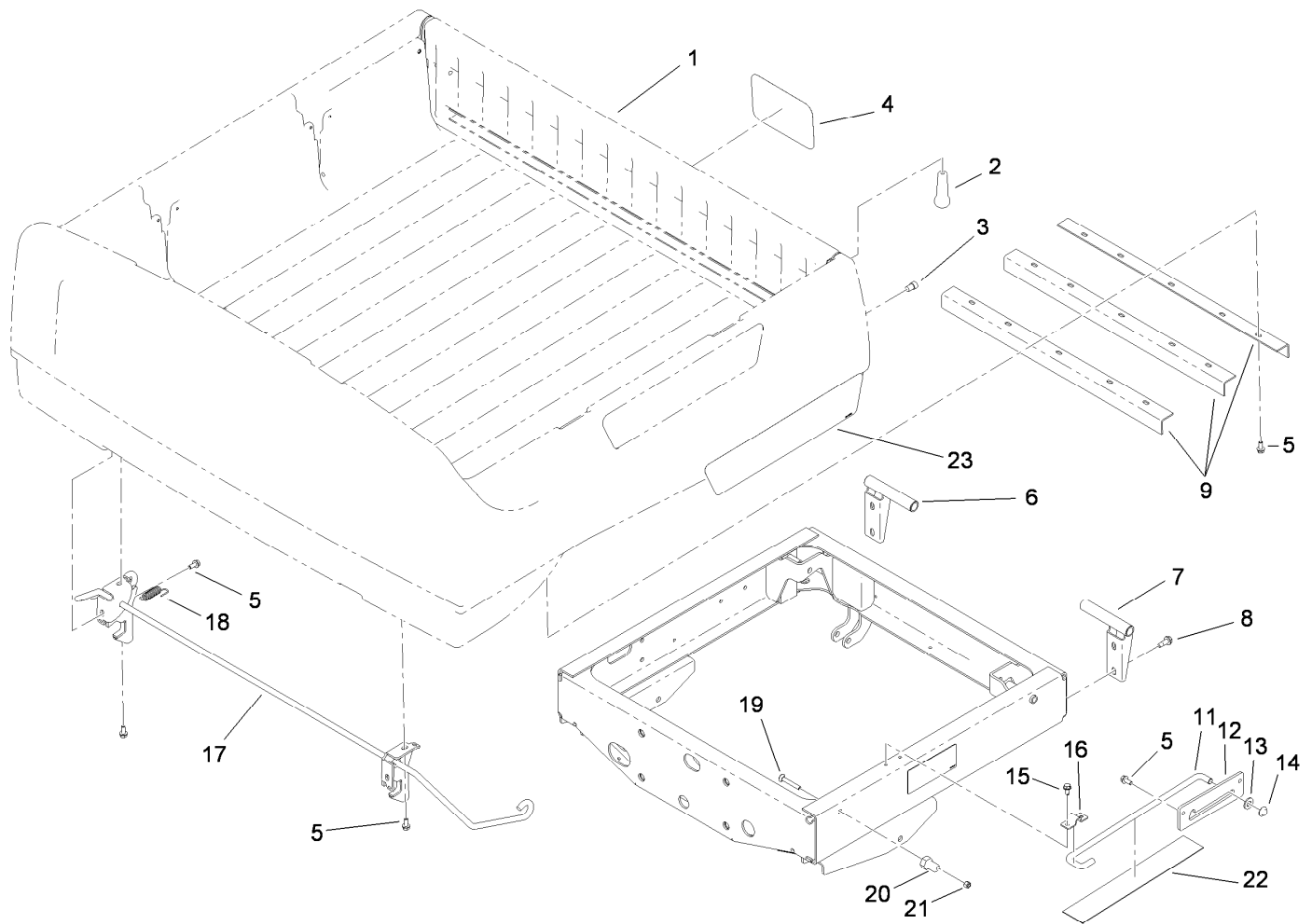
Upper Steering Assembly

| <i>Ref.</i> | <i>Part Number</i> | <i>Qty.</i> | <i>Description</i> | <i>Ref.</i> | <i>Part Number</i> | <i>Qty.</i> | <i>Description</i> |
|-------------|--------------------|-------------|-----------------------|-------------|--------------------|-------------|--------------------|
| 1 | 119-9493 | 1 | Nut-Lock, NI | 9 | 112-3305 | 4 | Screw-HH |
| 2 | 3256-26 | 1 | Washer-Flat | 10 | 112-3262 | 2 | Bearing |
| 3 | 98-1471 | 1 | Wheel-Steering | 11 | 3230-1 | 4 | Bolt-CARR |
| 3:1 | 98-1468 | 1 | Cover-Wheel, Steering | 12 | 112-3264-03 | 1 | Column ASM |
| 4 | 104-8300 | 4 | Nut-Flange, NI | 13 | 21-9260 | 1 | Cover-Dust |
| 5 | 112-3130 | 1 | Steering Box ASM | 15 | 98-1459 | 1 | Decal |
| 6 | 48-7730 | 1 | Screw-HH | 16 | 111383 | 1 | Collar |
| 7 | 3253-4 | 5 | Washer-Lock | 16:1 | 3245-32 | 1 | Screw-HSH |
| 8 | 112-3355 | 1 | Steering Shaft | | | | |



Steering Box Assembly No. 112-3130

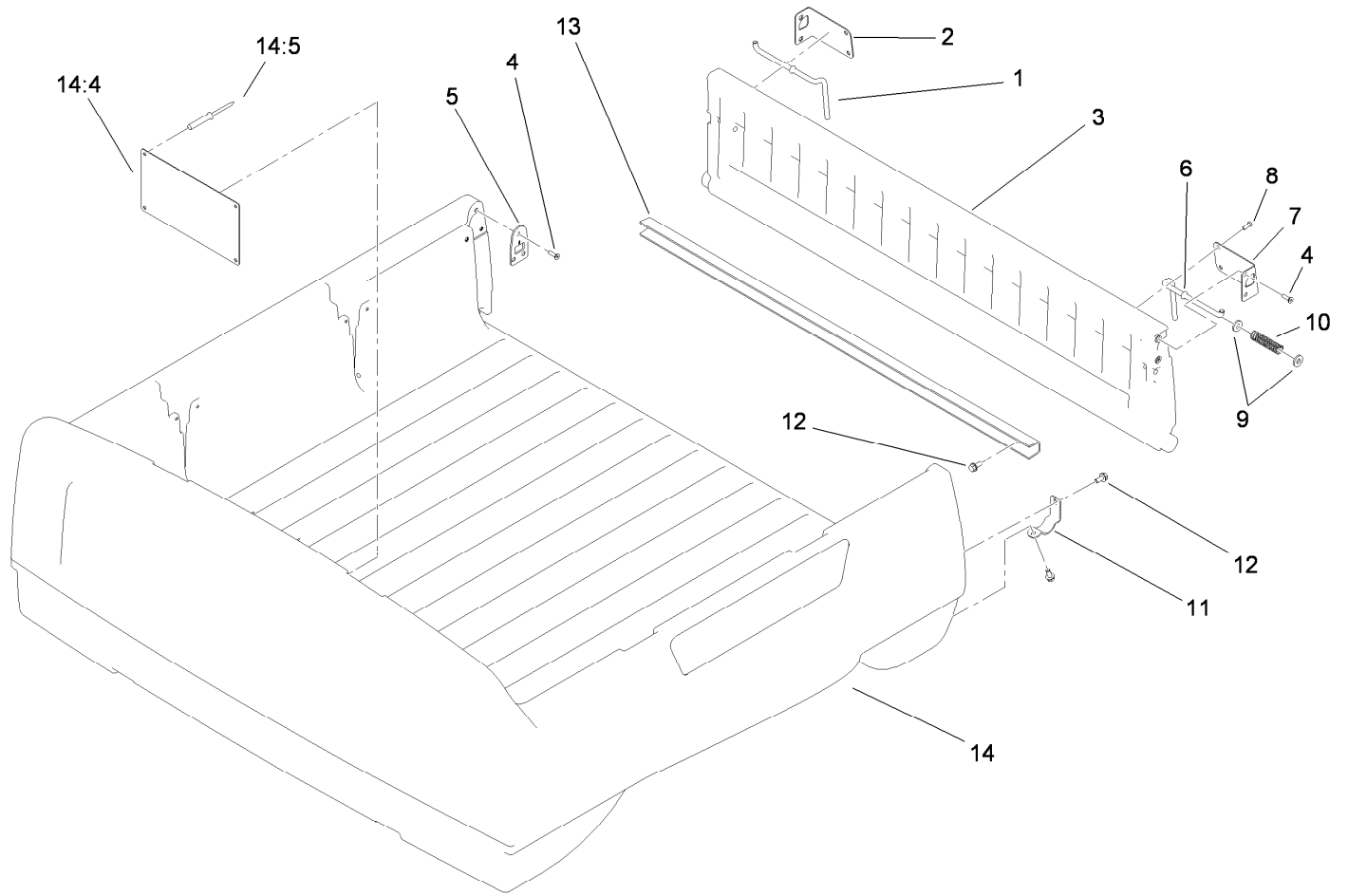
| <i>Ref.</i> | <i>Part Number</i> | <i>Qty.</i> | <i>Description</i> | <i>Ref.</i> | <i>Part Number</i> | <i>Qty.</i> | <i>Description</i> |
|-------------|--------------------|-------------|--------------------|-------------|--------------------|-------------|-------------------------|
| 1 | 94-2135 | 1 | Gasket | 11 | 94-2217 | 1 | Spacer-Shaft, Input |
| 2 | 32144-10 | 3 | Screw-HWH | 12 | 1-613235 | 1 | Washer |
| 3 | 103118 | 1 | Seal | 13 | 98-3498 | 1 | Screw-HH |
| 4 | 99-7843 | 1 | Sector-Gear | 14 | 302-5 | 1 | Fitting-Grease |
| 5 | 3256-42 | 1 | Washer-Flat | 15 | 112-2918-03 | 1 | Cover-Housing, Steering |
| 6 | 251-82 | 2 | Bearing-Ball | 16 | 114-8309 | 1 | Housing-Steering |
| 7 | 112-2917 | 1 | Spacer | 18 | 115-7726 | 1 | Gear-Pinion |
| 8 | 104-6563 | 1 | Washer-Stepped | 19 | 99-7657 | 1 | Seal-Oil |
| 9 | 104-7156 | 1 | Screw-HHF | 20 | 112-3096-03 | 1 | Pitman Arm ASM |
| 10 | 38-7820 | 2 | Bearing-Ball | | | | |



Box and Tailgate Installation Assembly

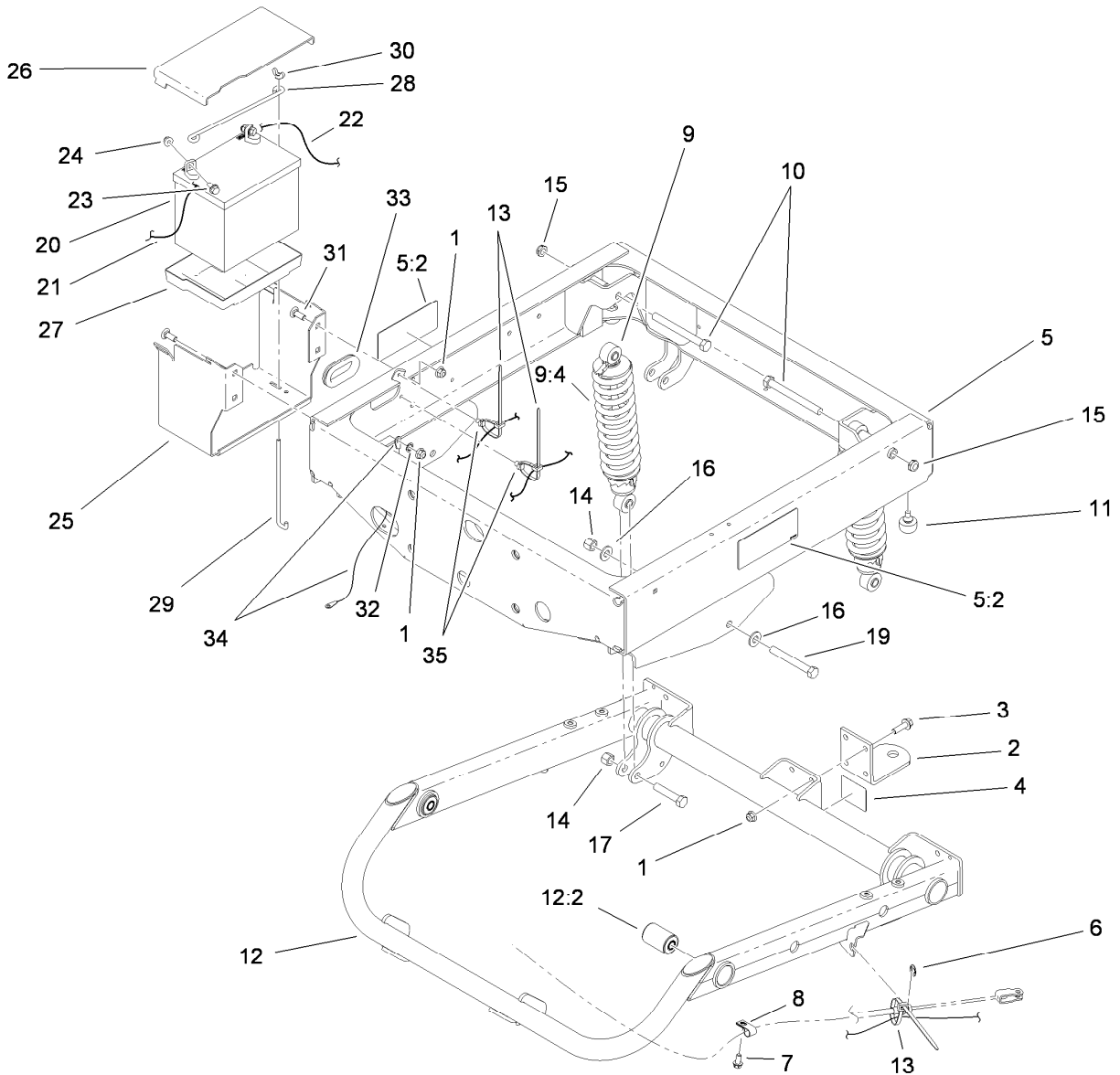
| <i>Ref.</i> | <i>Part Number</i> | <i>Qty.</i> | <i>Description</i> | <i>Ref.</i> | <i>Part Number</i> | <i>Qty.</i> | <i>Description</i> |
|-------------|--------------------|-------------|-------------------------|-------------|--------------------|-------------|---------------------|
| 1 | | 1 | Box And Tailgate ASM ● | 13 | 3256-26 | 1 | Washer-Flat |
| 2 | 99-7984 | 2 | Knob-Soft Grip, Push-On | 14 | 32112-14 | 1 | Nut-Push |
| 3 | 115-7986 | 2 | Bumper-Rubber | 15 | 32104-32 | 2 | Screw-HWH |
| 4 | 104-7213 | 1 | Decal | 16 | 99-7896 | 1 | Bracket-U, Prop Rod |
| 5 | 3234-5 | 19 | Screw-HHF | 17 | 115-2385 | 1 | Rod-Latch |
| 6 | 99-7309-03 | 1 | RH Pivot Bracket ASM | 18 | 5-7290 | 2 | Spring-Tension |
| 7 | 99-7308-03 | 1 | LH Pivot Bracket ASM | 19 | 3230-7 | 2 | Screw-CARR |
| 8 | 105-6245 | 4 | Screw-Tapping | 20 | 104-7248 | 2 | Pin-Latch |
| 9 | 99-7864-03 | 3 | Brace-Box | 21 | 3296-29 | 2 | Nut-Lock, NI |
| 11 | 99-7895 | 1 | Rod-Prop | 22 | 104-6859 | 1 | Shield-Heat |
| 12 | 99-7894 | 1 | Bracket-Rod, Prop | 23 | 115-2413 | 2 | Decal |

● Not serviced separately



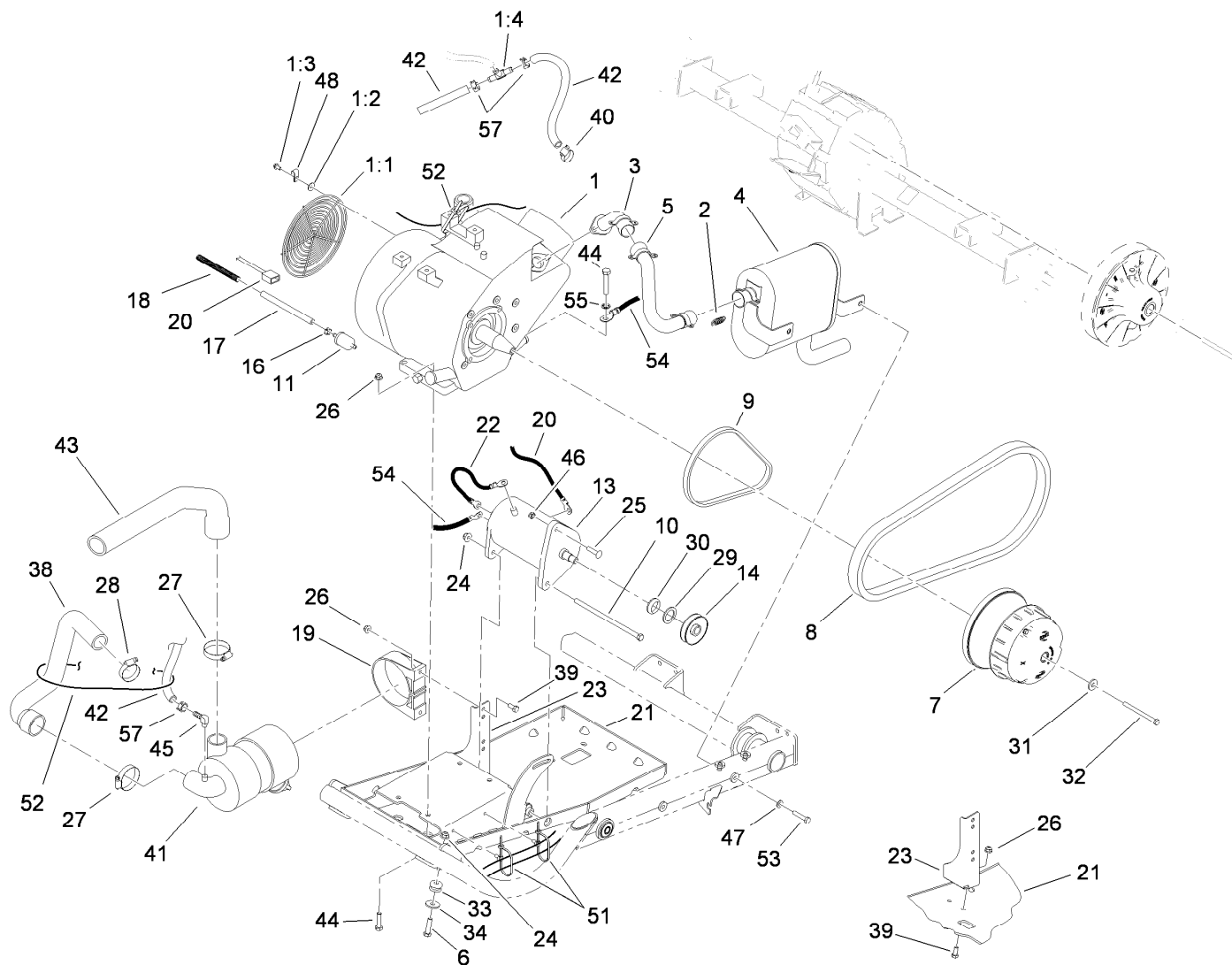
Box and Tailgate Assembly

| <i>Ref.</i> | <i>Part Number</i> | <i>Qty.</i> | <i>Description</i> | <i>Ref.</i> | <i>Part Number</i> | <i>Qty.</i> | <i>Description</i> |
|-------------|--------------------|-------------|-------------------------------|-------------|--------------------|-------------|-------------------------|
| 1 | 99-7860 | 1 | Rod-Latch, Right | 9 | 99-7861 | 4 | Washer-Latch |
| 2 | 99-7858 | 1 | Bracket-Tailgate Latch, Right | 10 | 61-8880 | 2 | Spring |
| 3 | 115-7640 | 1 | Tailgate ASM | 11 | 99-7286 | 2 | Bracket-Pivot, Tailgate |
| 4 | 99-7334 | 10 | Screw | 12 | 3234-5 | 10 | Screw-HHF |
| 5 | 114-2749 | 2 | Plate-Striker | 13 | 99-7867 | 1 | Channel-Tailgate |
| 6 | 99-7859 | 1 | Rod-Latch, Left | 14 | 115-7638 | 1 | Box ASM |
| 7 | 99-7857 | 1 | Bracket-Tailgate Latch, Left | 14:4 | 99-7954 | 1 | Decal-No Riders |
| 8 | 99-7335 | 4 | Screw | 14:5 | 3290-415 | 4 | Rivet |



Frame Assembly

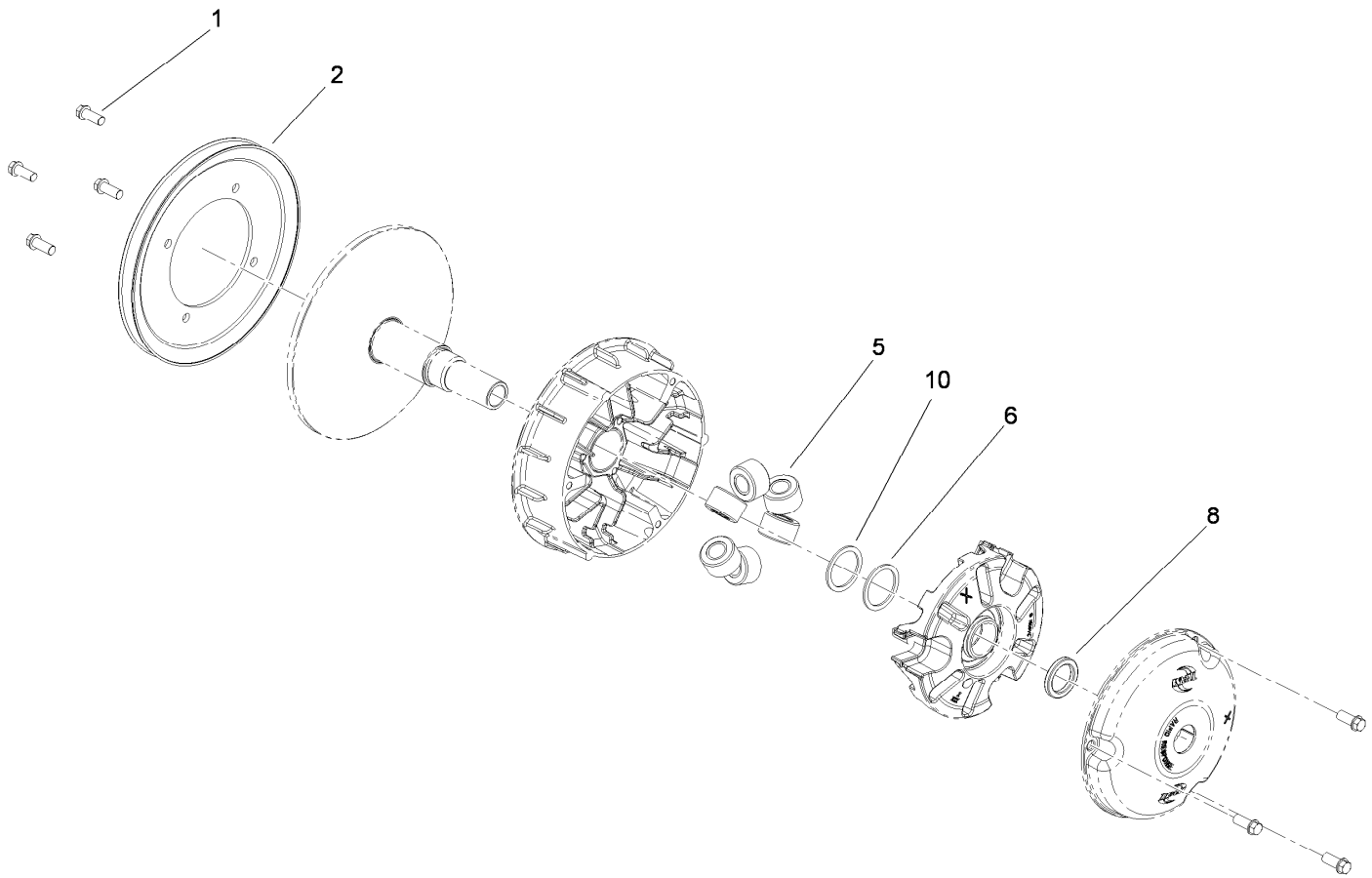
| Ref. | Part Number | Qty. | Description | Ref. | Part Number | Qty. | Description |
|------|-------------|------|----------------------------------|------|-------------|------|-------------------------|
| 1 | 104-8301 | 8 | Nut-Flange, NI | 16 | 87-7270 | 4 | Washer-Thrust |
| 2 | 99-7654-03 | 1 | Hitch-Duty, Light | 17 | 325-10 | 2 | Screw-HH |
| 3 | 3234-24 | 4 | Screw-HHF | 19 | 325-17 | 2 | Screw-HH |
| 4 | 99-7350 | 1 | Decal-Rating, Hitch (Light Duty) | 20 | 104-8162 | 1 | Battery |
| 5 | 114-8307 | 1 | Rear Frame Service ASM | 21 | 115-8107 | 1 | Cable-Battery, Negative |
| 5:2 | 99-7345 | 2 | Decal-Warning | 22 | 114-9404 | 1 | Cable-Battery, Positive |
| 6 | 32120-47 | 2 | Ring-Retaining, External | 23 | 3234-5 | 2 | Screw-HHF |
| 7 | 32144-4 | 2 | Screw-HWH | 24 | 104-8300 | 2 | Nut-Flange, NI |
| 8 | 2412-89 | 2 | Clamp | 25 | 115-2302-03 | 1 | Base-Battery |
| 9 | 112-3168 | 2 | Rear Shock/Spring ASM | 26 | 115-2394 | 1 | Cover-Battery |
| 9:4 | 112-3386 | 1 | Spring | 27 | 106948 | 1 | Tray-Battery |
| 10 | 325-19 | 2 | Screw-HH | 28 | 100-6434 | 1 | Rod-Hold Down, Battery |
| 11 | 87-2440 | 2 | Bumper-Rubber | 29 | 100-6435 | 2 | Post-Battery |
| 12 | 115-7614 | 1 | Swing Arm ASM | 30 | 32103-22 | 2 | Nut-Wing |
| 12:2 | 112-3377 | 2 | Bushing-Arm, Control | 31 | 3231-22 | 4 | Screw-CARR |
| 13 | 3290-378 | 4 | Tie-Cable | 32 | 3254-6 | 1 | Washer-Lock, Internal |
| 14 | 3296-23 | 4 | Nut-Lock, NI | 33 | 240-12 | 1 | Grommet |
| 15 | 3296-45 | 2 | Nut-Lock, NI | 34 | 115-8108 | 1 | Cable-Battery, Negative |
| | | | | 35 | 32180-030 | 2 | Clip-Harness |



Engine and Clutch Assembly (continued)

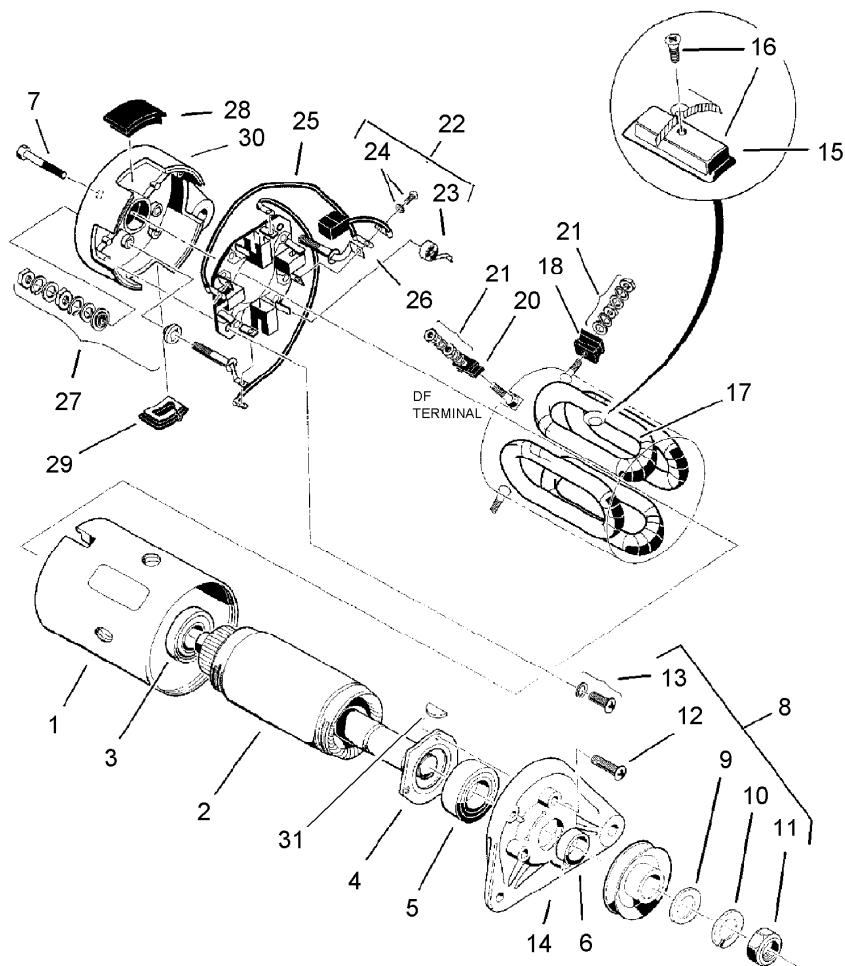
| <i>Ref.</i> | <i>Part Number</i> | <i>Qty.</i> | <i>Description</i> |
|-------------|--------------------|-------------|--------------------|
| 43 | 115-7625 | 1 | Hose-Intake |
| 44 | 323-9 | 4 | Screw-HH |
| 45 | 99-7230 | 1 | Fitting-90 DEG |
| 46 | 3296-69 | 1 | Nut-Lock NI |
| 47 | 3253-4 | 2 | Washer-Lock |
| 48 | 2412-89 | 1 | Clamp |

| <i>Ref.</i> | <i>Part Number</i> | <i>Qty.</i> | <i>Description</i> |
|-------------|--------------------|-------------|-----------------------|
| 51 | 32180-030 | 2 | Clip-Harness |
| 52 | 3290-378 | 2 | Tie-Cable |
| 53 | 322-11 | 2 | Screw-HH |
| 54 | 100335 | 1 | Wire-Ground |
| 55 | 3254-6 | 1 | Washer-Lock, Internal |
| 57 | 103-1988 | 3 | Clamp-Hose |



Primary Clutch Assembly No. 119-0802

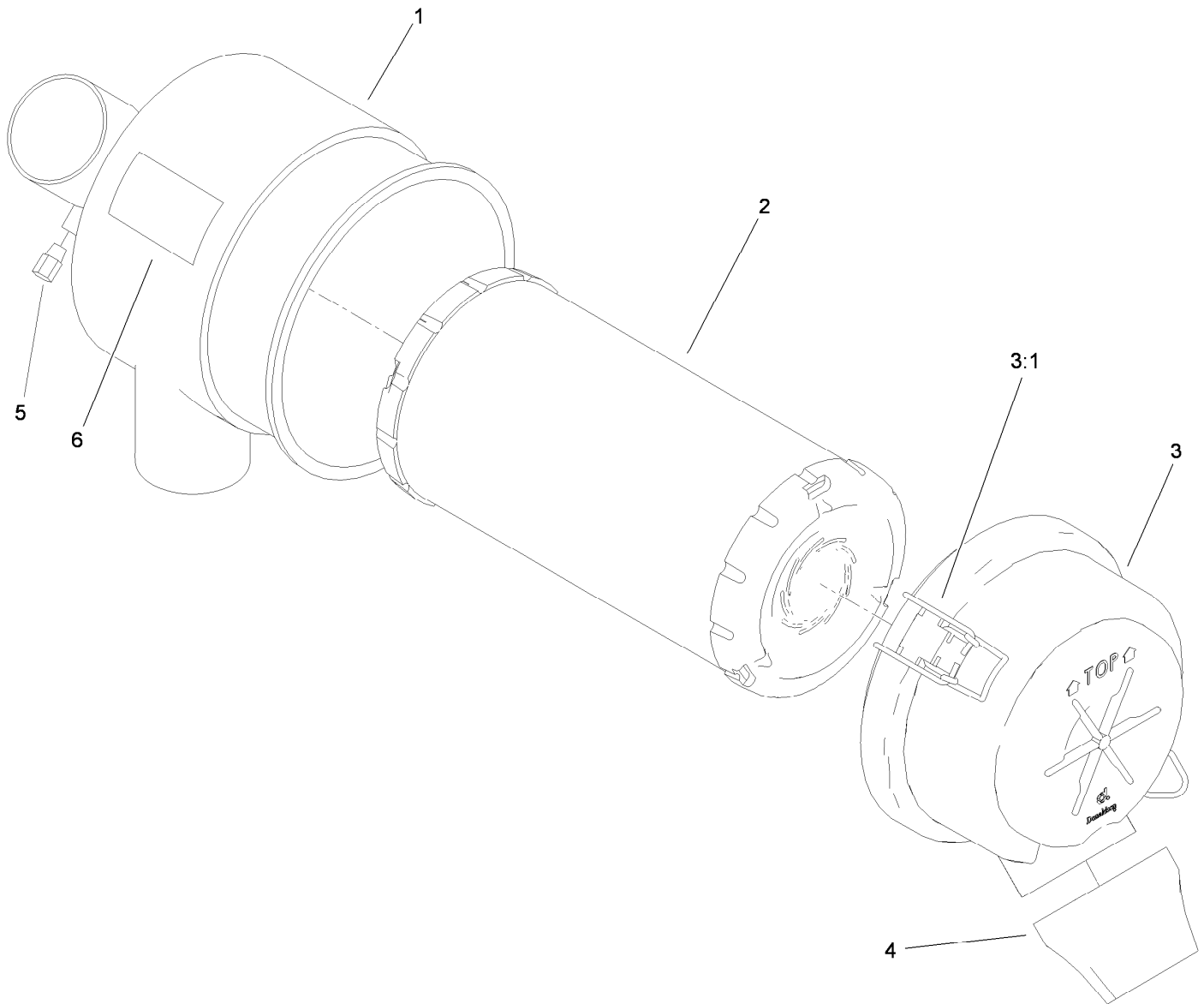
| <i>Ref.</i> | <i>Part Number</i> | <i>Qty.</i> | <i>Description</i> |
|-------------|--------------------|-------------|------------------------|
| 1 | 49-2040 | 7 | Screw-HWHTF |
| 2 | 119-0813 | 1 | Pulley-Primary |
| 5 | 119-0805 | 6 | Weight-Roller (38.3Gm) |
| 6 | 119-0812 | 1 | Shim-Spider |
| 8 | 119-0807 | 1 | Shim-Limiter (.175) |
| 10 | 119-0815 | 1 | Shim-Spider |



Starter Generator Assembly No. 99-7108

| Ref. | Part Number | Qty. | Description | Ref. | Part Number | Qty. | Description |
|------|-------------|------|---------------------|------|-------------|------|-----------------------|
| 1 | | 1 | Yoke ● | 16 | 104-1221 | 1 | Set-Pole And Screw |
| 2 | 104-1210 | 1 | Armature Kit | 17 | 104-1222 | 1 | Field Stator Coil ASM |
| 3 | 104-1211 | 1 | Bearing-Ball, Rear | 18 | | 2 | F Mold ● |
| 4 | 104-1212 | 1 | Retainer | 20 | | 1 | Df Mold ● |
| 5 | 104-1213 | 1 | Bearing-Ball, Front | 21 | 104-1224 | 1 | Nut And Washer Set |
| 6 | 104-1214 | 1 | Spacer | 22 | 104-1225 | 1 | Brush Holder Kit |
| 7 | 104-1215 | 2 | Bolt | 23 | 104-1226 | 4 | Spring-Brush |
| 8 | | 1 | Nut And Screw Set ● | 24 | 104-1227 | 1 | Brush And Screw Set |
| 9 | 104-1216 | 1 | Washer-Plain | 25 | | 2 | Brush Connector ASM ● |
| 10 | 104-1217 | 1 | Washer-Spring | 26 | | 2 | A Terminal ASM ● |
| 11 | 104-1218 | 1 | Nut-Hex | 27 | 104-1228 | 2 | Screw And Mold ASM |
| 12 | | 3 | Screw-Flange ● | 28 | | 1 | Cover Set ● |
| 13 | 104-1219 | 2 | Set-Screw | 29 | | 1 | Cover B ● |
| 14 | 104-1220 | 1 | Bracket-Front | 30 | | 1 | Bracket-Rear ● |
| 15 | | 4 | Pole ● | 31 | 3257-3 | 1 | Key-Woodruff |

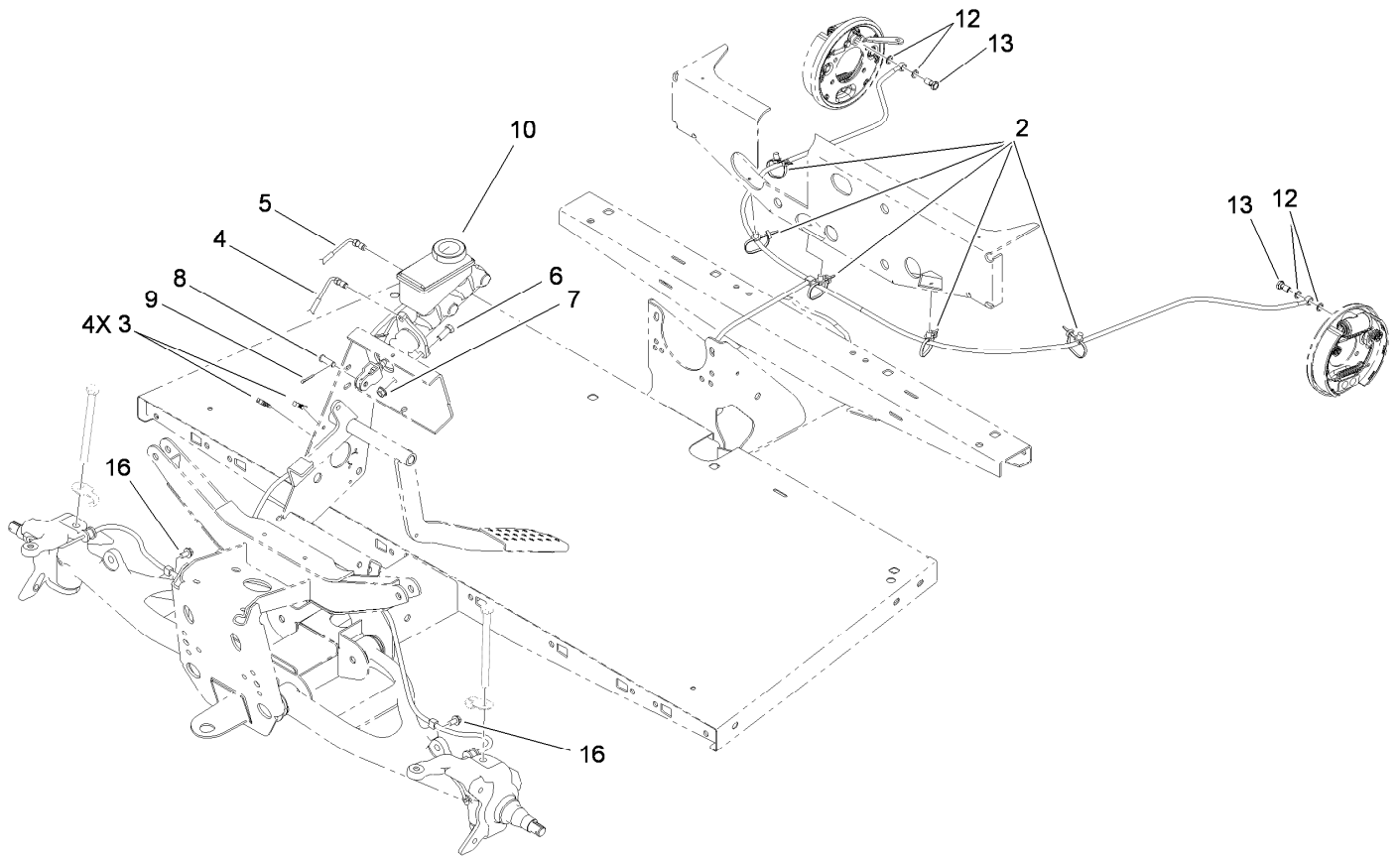
● Not serviced separately



Air Cleaner Assembly No. 99-7120

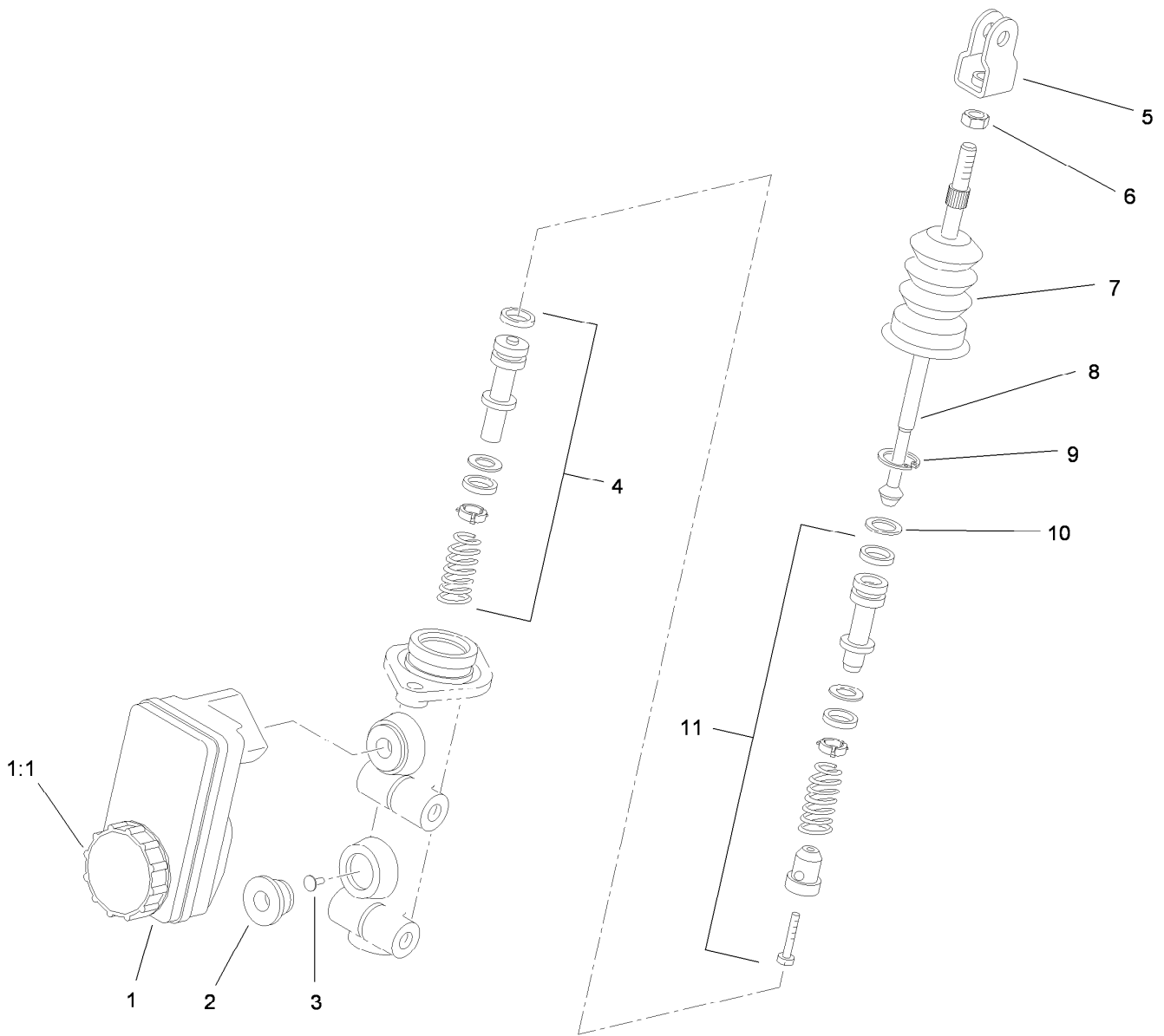
| Ref. | Part Number | Qty. | Description |
|------|-------------|------|--------------------|
| 1 | | 1 | Body ● |
| 2 | 108-3811 | 1 | Filter-Air |
| 3 | 94-3652 | 1 | Cover ASM |
| 3:1 | 1-643283 | 2 | Latch-Cleaner, Air |
| 4 | 87-9400 | 1 | Valve-Vacuator |
| 5 | | 1 | Plug ● |
| 6 | | 1 | Marking ● |

● Not serviced separately



Master Cylinder and Brake Line Assembly

| Ref. | Part Number | Qty. | Description |
|------|-------------|------|----------------------|
| 2 | 32180-030 | 5 | Clip-Harness |
| 3 | 114-8324 | 4 | Clip-Line, Brake |
| 4 | 112-2925 | 1 | Front Brake Line ASM |
| 5 | 112-2926 | 1 | Rear Brake Line ASM |
| 6 | 323-6 | 2 | Screw-HH |
| 7 | 3290-357 | 2 | Nut-HHF, Whiz |
| 8 | 283-2 | 1 | Pin-Clevis |
| 9 | 3272-10 | 1 | Pin-Cotter |
| 10 | 104-6782 | 1 | Cylinder-Master |
| 12 | 115-2341 | 4 | Washer-Banjo |
| 13 | 115-2340 | 2 | Bolt-Banjo |
| 16 | 32104-82 | 2 | Screw-HHF |



Master Cylinder Assembly No. 104-6782

| Ref. | Part Number | Qty. | Description |
|------|-------------|------|----------------------|
| 1 | 104-6845 | 1 | Reservoir ASM |
| 1:1 | 92-4112 | 1 | Cap ASM |
| 2 | 93-8971 | 2 | Seal-Port, Flange |
| 3 | 92-4103 | 1 | Pin-Stop |
| 4 | 92-4102 | 1 | Secondary Piston ASM |
| 5 | 92-4110 | 1 | Clevis |
| 6 | 21-0360 | 1 | Nut-Hex |
| 7 | 94-5209 | 1 | Cover-Dust |
| 8 | 94-5210 | 1 | Rod-Push |
| 9 | 92-4109 | 1 | Ring-Snap |
| 10 | 92-4108 | 1 | Retainer-Washer |
| 11 | 92-4101 | 1 | Primary Piston ASM |

Attachments and Accessories

For 07266TC Workman MD Utility Vehicle

| Product Name | Model/Part |
|---|-------------------|
| Roll-Over Protection System | 07276 |
| Receiver Hitch Kit | 07278 |
| Stake Side Kit | 07290 |
| Portable Refreshment Center | 07298 |
| Canopy Kit | 07324 |
| Solid Windshield Kit | 07325 |
| Folding Windshield Kit | 07326 |
| Snow Plow | 07327 |
| Hard Cab | 07328 |
| Heavy-Duty Bumper Kit | 07329 |
| Rear Lift Kit | 07334 |
| Electric Bed Lift Kit | 07335 |
| Vinyl Enclosure | 07337 |
| Heavy-Duty Brush Guard and Bumper Kit | 07338 |
| Sliding Window Door Kit | 07352 |
| Fixed Window Door Kit | 07353 |
| Wheel-5 Bolt | 104-6889 |
| Tire-AT 489, 24x10.5-10 | 104-7061 |
| Tire-AT 489, 22x9.5-10 | 104-7062 |
| Brake and Signal Light Kit | 115-7749 |
| Lift Wire Harness Kit | 115-7823 |
| Backup Alarm Kit | 115-7824 |
| Replacement Front Spring Kit | 117-4847 |
| Tire And Wheel Asm | 119-0751 |



Count on it.