



Count on it.

Parts Catalog

Foam Marker Kit

**Multi-Pro® 1200, 1250 and 5000 Series Turf
Sprayers and Workman® 200 Spray Systems**

Model No. 41236—Serial No. 311000001 and Up

Ordering Replacement Parts

To order replacement parts, please supply the part number, the quantity, and the description of each part desired.

Understanding Reference Numbers

Each identified part in an illustration has a reference number. The reference number for a part also appears in the parts list, along with other information about the part.

This catalog uses two special reference number formats, one to indicate parts in a service assembly and another to indicate the quantity of a given part in an illustration.

Service Assembly Reference Numbers

Parts in service assemblies have reference numbers in the form a:b. The a represents the reference number of the entire service assembly and the b represents a sequential number unique to each part within the service assembly.

For example, a wheel assembly might be identified by reference number 6, the tire by 6:1, the valve by 6:2, and the wheel by 6:3. When you order the assembly identified by reference number 6, you receive all parts identified by reference numbers 6:1, 6:2, and 6:3. However, you may also order any part individually. Reference numbers of this type appear in illustration and in parts lists.

Reference Numbers Indicating Quantity

In an illustration, if a reference number indicates more than one part, the reference number has the form nX y. The n represents the quantity of the part, the X is the multiplication symbol, and the y represents the reference number.

For example, in an illustration, the reference number 2X 37 means that two of the parts identified by reference number 37 are indicated.

List of Abbreviations

AR: as required

ASM: assembly

BBC: blade brake control

BHTF: button head thread forming

CARR: carriage

CCW: counter clockwise

CW: clockwise

DEG: degrees

DPA: Dual Point Adjustment

ECM: electronic control module

EXT: external

FH: flat head

GA: gauge

HD: heavy-duty

HF: hex flange

HH: hex head

HHF: hex head flange

HHFTF: hex head flange thread forming

HJ: hex jam

HLH: hex lag head

HOC: height-of-cut

HSBH: hex socket button head

HSFH: hex socket flat head

HSH: hex socket head

HWH: hex washer head

HWTF: hex washer head thread forming

HYD: hydraulic

LH: left hand

LP: Liquid Propane

NI: nylon insert

NPTF: national pipe thread fine

PFH: phillips flat head

PPH: phillips pan head

PPHTF: phillips pan head thread forming

PRH: phillips round head

PTH: phillips truss head

PTO: power-take-off

RH: right hand

ROPS: roll-over protection system

RRB: rear roller brush

SFH: slotted fillister head

SHH: slotted hex head

SHWH: slotted hex washer head

SPH: slotted pan head

SQH: square head

SRH: slotted round head

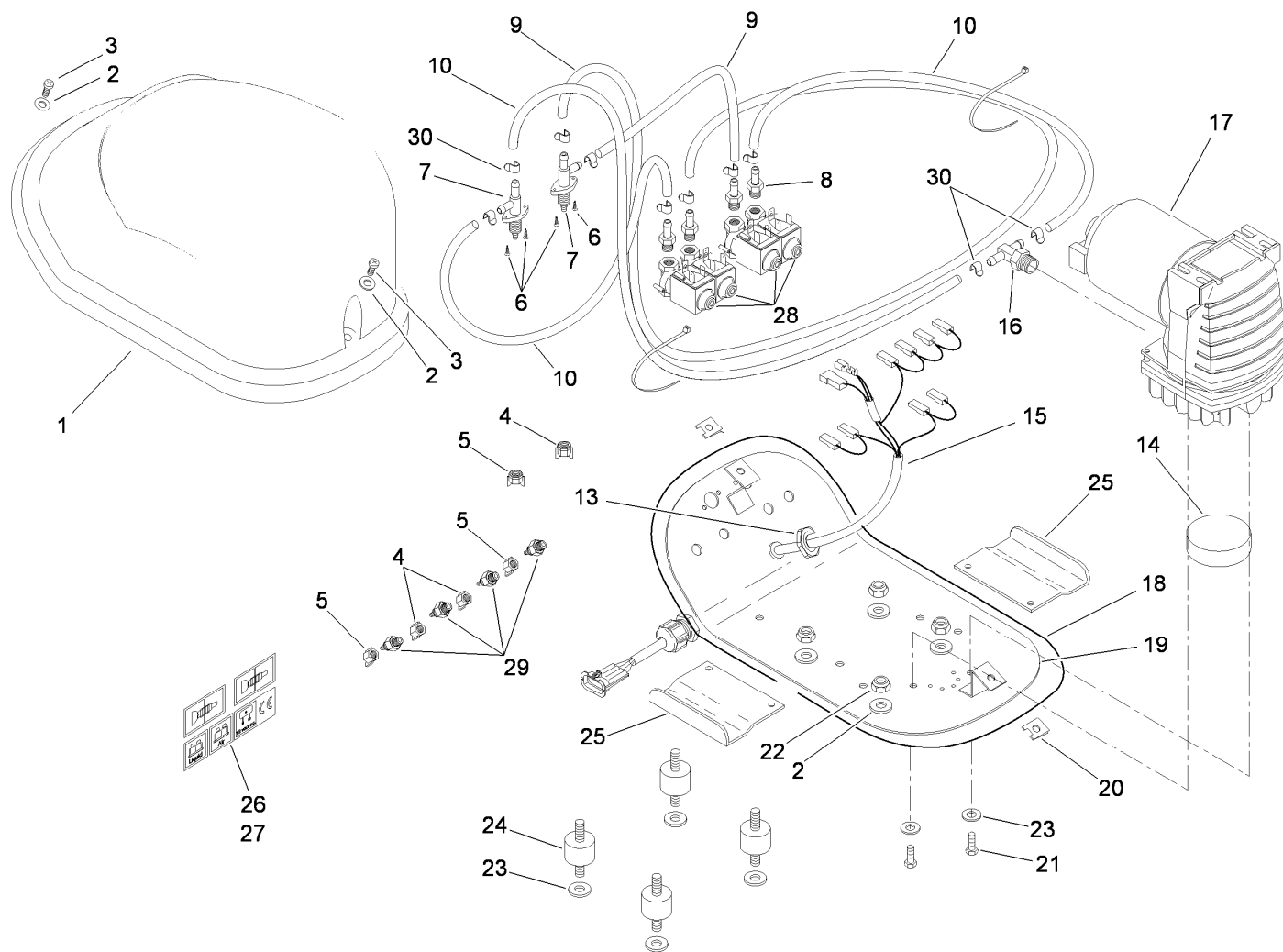
STD: standard

TAP: self tapping

TTH: torx truss head

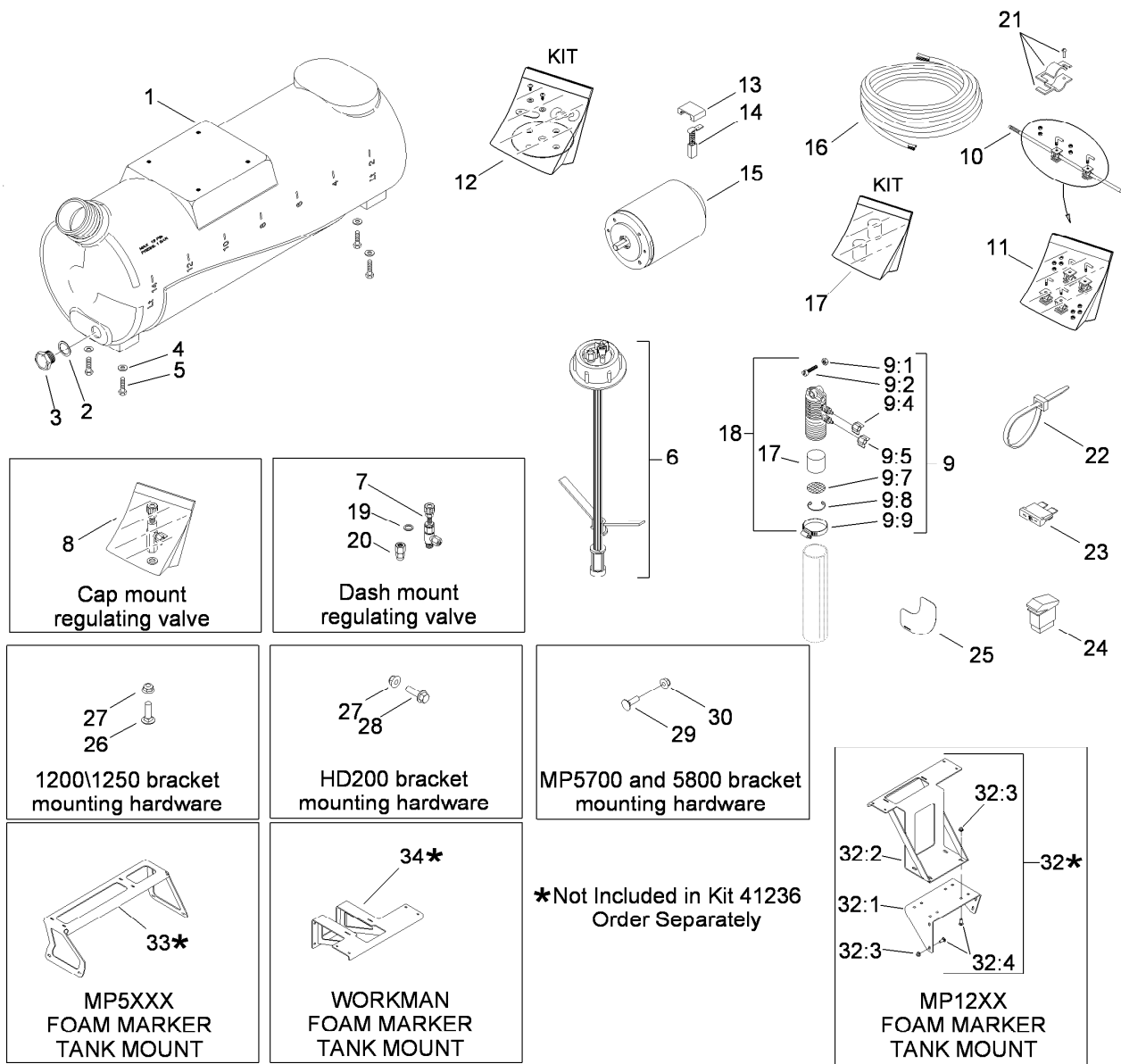
Contents

Compressor Assembly 4
Tank Components and Mounting Hardware 5



Compressor Assembly

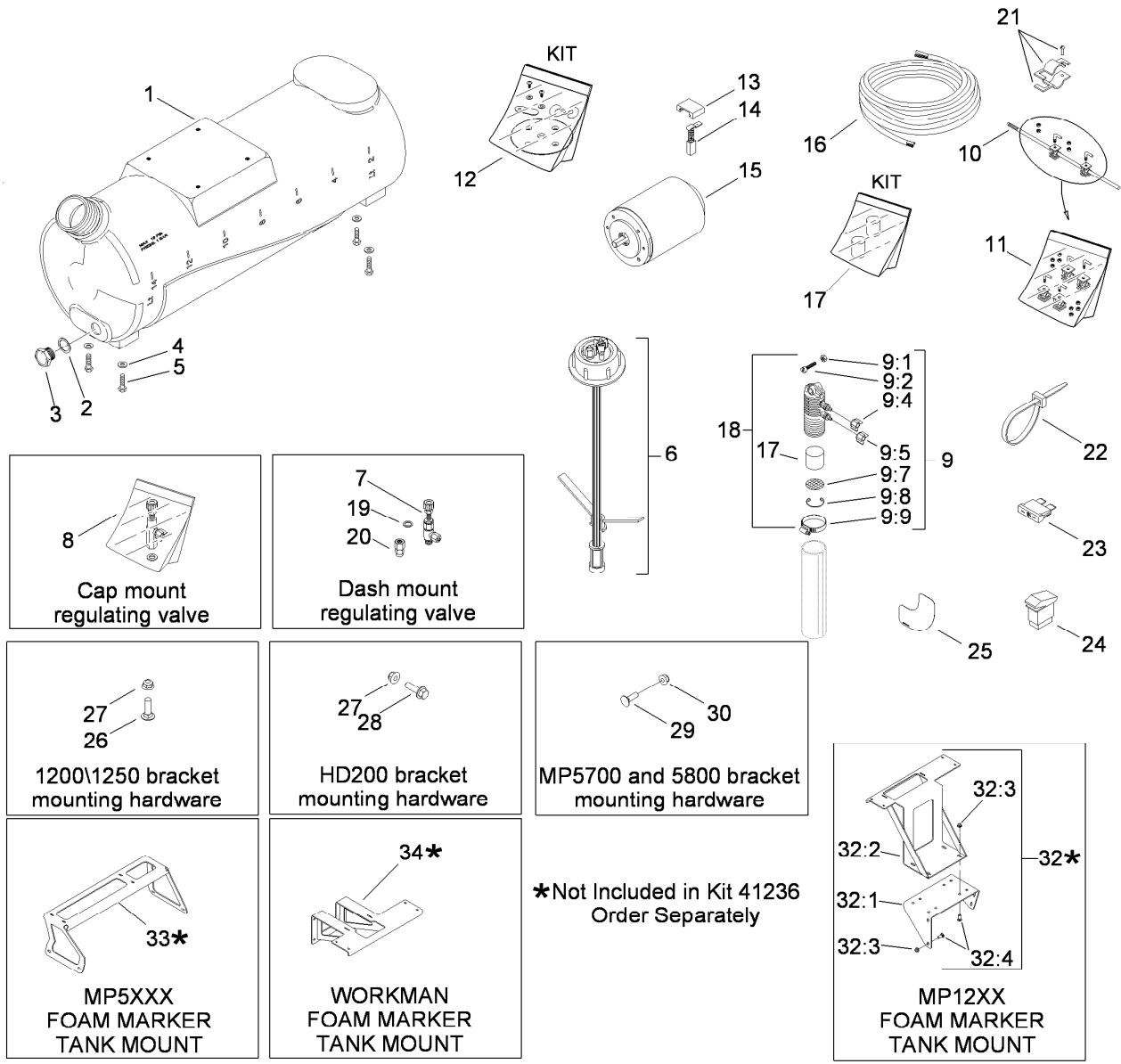
<i>Ref.</i>	<i>Part Number</i>	<i>Qty.</i>	<i>Description</i>	<i>Ref.</i>	<i>Part Number</i>	<i>Qty.</i>	<i>Description</i>
1	114-9500	1	Cover-Compressor	17	114-9520	1	Compressor
2	114-9501	10	Washer	18	114-9521	1	Sealer
3	114-9502	2	Screw	19	114-9522	1	Plate-Compressor Mount
4	114-9503	3	Nut-Wing, Plastic	20	114-9523	2	Clip
5	114-9504	3	Nut-Wing	21	114-9524	4	Screw
6	114-9505	4	Screw-Machine	22	114-9525	4	Nut-Lock
7	119-9423	2	Manifold-3 Way	23	114-9526	4	Washer
8	119-9428	4	Connector-Tubing	24	114-9527	4	Shock Absorber
9	119-9426	2	Tube-Blue	25	114-9528	2	Hook-Compressor Cover
10	119-9425	3	Tube-White	26	114-9529	1	Decal-Air/Liquid Color Code
13	114-9516	1	Nut-Harness Holder	27	114-9530	1	Decal-Ce
14	114-9517	1	Filter-Sponge	28	114-9531	4	Valve-Solenoid
15	114-9518	1	Harness-Wire	29	119-9424	4	Connector-Tubing
16	119-9422	1	Connector-T	30	119-9427	10	Clamp-Tube



Tank Components and Mounting Hardware

Ref.	Part Number	Qty.	Description
1	114-9535	1	Tank
2	114-9538	1	Seal
3	114-9539	1	Plug-Drain
4	114-9532	4	Washer
5	114-9533	4	Screw
6	114-9537	1	Cap ASM
7	114-9536	1	Regulator-Flow
8	114-9568	1	Regulator-Flow, Cap Mount
9	114-9541	1	Nozzle-Foam ASM
9:1	114-9542	1	Nut
9:2	114-9543	1	Screw
9:4	114-9503	1	Nut-Wing, Plastic
9:5	114-9504	1	Nut-Wing
9:7	114-9546	1	Screen-Stainless Steel
9:8	114-9547	1	Ring-Snap, Stainless Steel
9:9	114-9548	1	Clamp-Hose
10	114-9556	2	Rod
11	114-9555	1	Rod Mount Kit
12	114-9549	1	Diaphragm Kit
13	114-9550	1	Cover-Motor Brush
14	114-9551	1	Brush-Motor

Ref.	Part Number	Qty.	Description
15	114-9552	1	Motor-Compressor
16	114-9553	1	Tube ASM
17	114-9554	1	Mixer Sponge Kit
18	114-9570	1	Mixer-Foam ASM
19	114-9572	1	Washer-Plastic
20	114-9571	1	Nut-Valve
21	40999	4	Clamp Assy
22	3290-378	12	Tie-Cable
23	109355	1	Fuse-Blade, 15 Amp
24	95-8999	2	Switch
25	112-7890	1	Decal-Foam Control
26	3231-25	4	Screw-CARR
27	104-8301	4	Nut-Flange, NI
28	3234-24	4	Screw-HHF
29	3230-3	4	Screw-CARR
30	104-8300	4	Nut-Flange, NI
32	119-9366	1	Foam Marker Bracket ASM
32:1	119-9362	1	Bracket-Foam Marker
32:2	112-7816	1	Foam Mixer Bracket ASM
32:3	104-8301	9	Nut-Flange, NI
32:4	3231-22	9	Screw-CARR



Tank Components and Mounting Hardware (continued)

Ref.	Part Number	Qty.	Description
33	112-7812	1	Mount-Foam Marker Tank
34	112-7866	1	Foam Marker Bracket ASM

Notes:



Count on it.