



Count on it.

Parts Catalog

Hydraulic Power Pack

ProPass 200 Top Dresser

Model No. 44713—Serial No. 310001001 and Up

Ordering Replacement Parts

To order replacement parts, please supply the part number, the quantity, and the description of each part desired.

Understanding Reference Numbers

Each identified part in an illustration has a reference number. The reference number for a part also appears in the parts list, along with other information about the part.

This catalog uses two special reference number formats, one to indicate parts in a service assembly and another to indicate the quantity of a given part in an illustration.

Service Assembly Reference Numbers

Parts in service assemblies have reference numbers in the form a:b. The a represents the reference number of the entire service assembly and the b represents a sequential number unique to each part within the service assembly.

For example, a wheel assembly might be identified by reference number 6, the tire by 6:1, the valve by 6:2, and the wheel by 6:3. When you order the assembly identified by reference number 6, you receive all parts identified by reference numbers 6:1, 6:2, and 6:3. However, you may also order any part individually. Reference numbers of this type appear in illustration and in parts lists.

Reference Numbers Indicating Quantity

In an illustration, if a reference number indicates more than one part, the reference number has the form nX y. The n represents the quantity of the part, the X is the multiplication symbol, and the y represents the reference number.

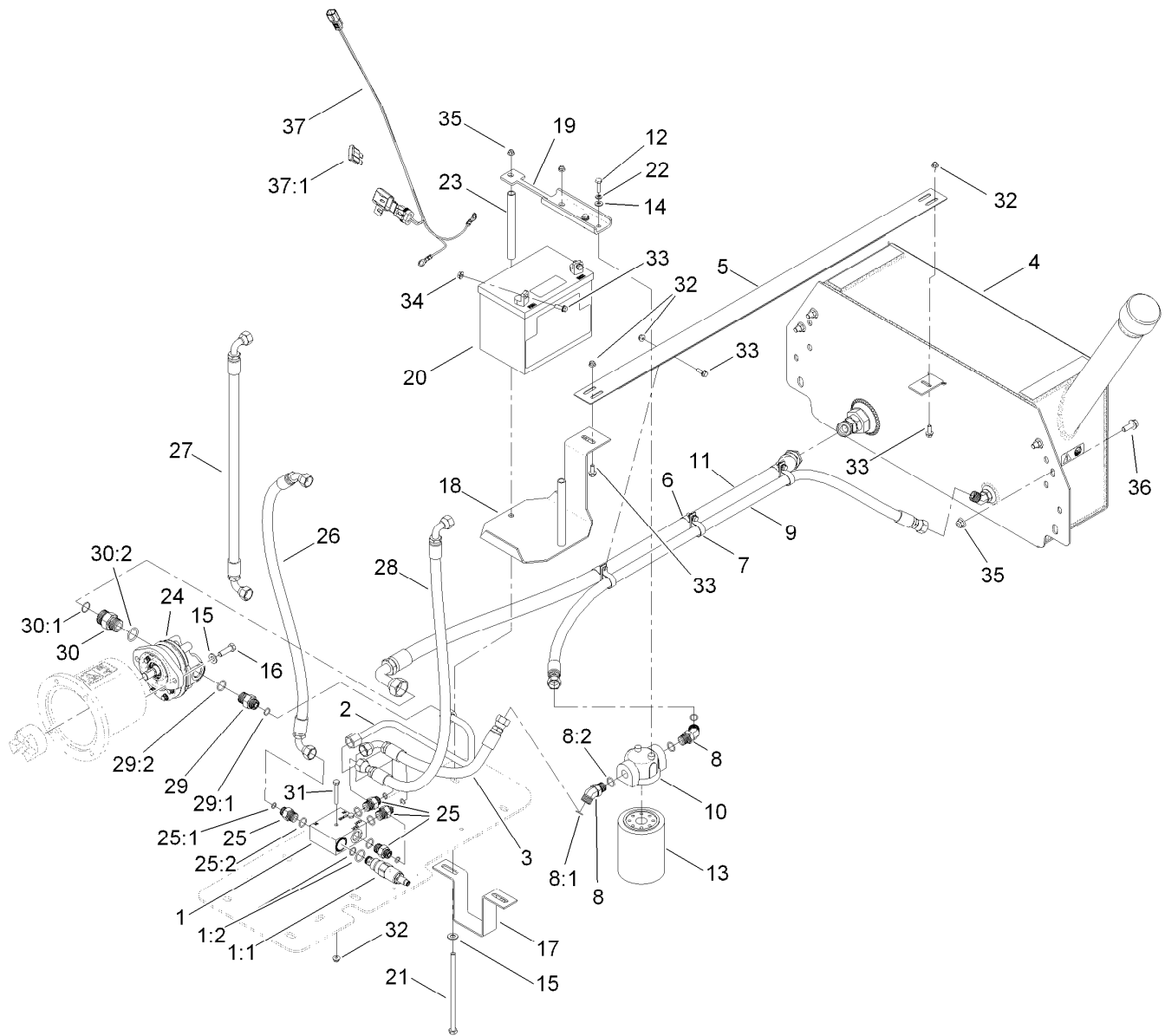
For example, in an illustration, the reference number 2X 37 means that two of the parts identified by reference number 37 are indicated.

List of Abbreviations

AR: as required	HSBH: hex socket button head	SFH: slotted fillister head
ASM: assembly	HSFH: hex socket flat head	SHH: slotted hex head
BBC: blade brake control	HSH: hex socket head	SHWH: slotted hex washer head
BHTF: button head thread forming	HWH: hex washer head	SPH: slotted pan head
CARR: carriage	HWHTF: hex washer head thread forming	SQH: square head
CCW: counter clockwise	HYD: hydraulic	SRH: slotted round head
CW: clockwise	LH: left hand	STD: standard
DEG: degrees	LP: Liquid Propane	TAP: self tapping
ECM: electronic control module	NI: nylon insert	TTH: torx truss head
EXT: external	NPTF: national pipe thread fine	
FH: flat head	PFH: phillips flat head	
GA: gauge	PPH: phillips pan head	
HD: heavy-duty	PPHTF: phillips pan head thread forming	
HF: hex flange	PRH: phillips round head	
HH: hex head	PTH: phillips truss head	
HHF: hex head flange	PTO: power-take-off	
HHFTF: hex head flange thread forming	RH: right hand	
HJ: hex jam	ROPS: roll-over protection system	
HLH: hex lag head	RRB: rear roller brush	
HOC: height-of-cut		

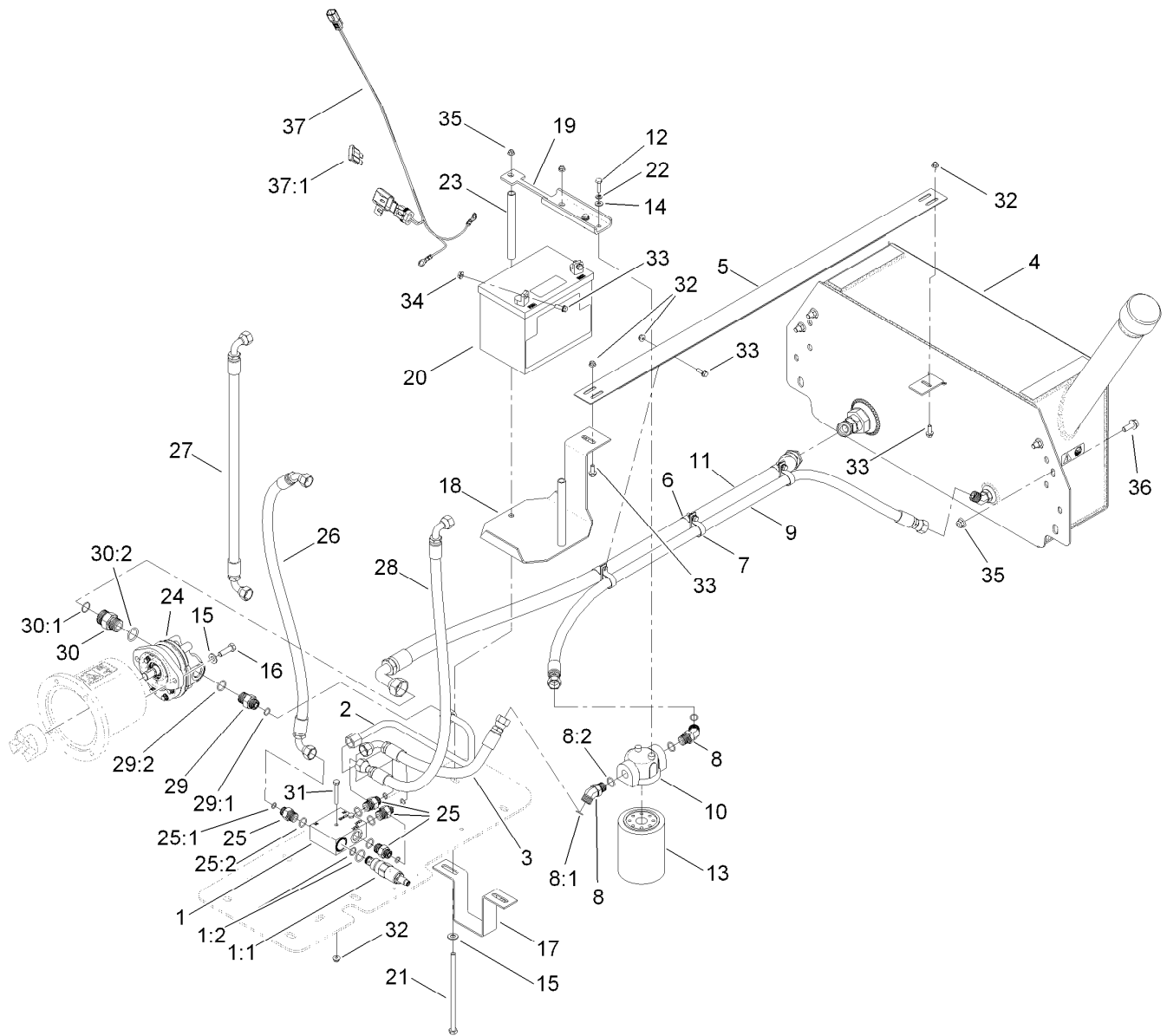
Contents

Hydraulic Power Pack Assembly 4
Hydraulic Tank Assembly No. 119-6913..... 6
Engine and Mounting Assembly..... 7



Hydraulic Power Pack Assembly

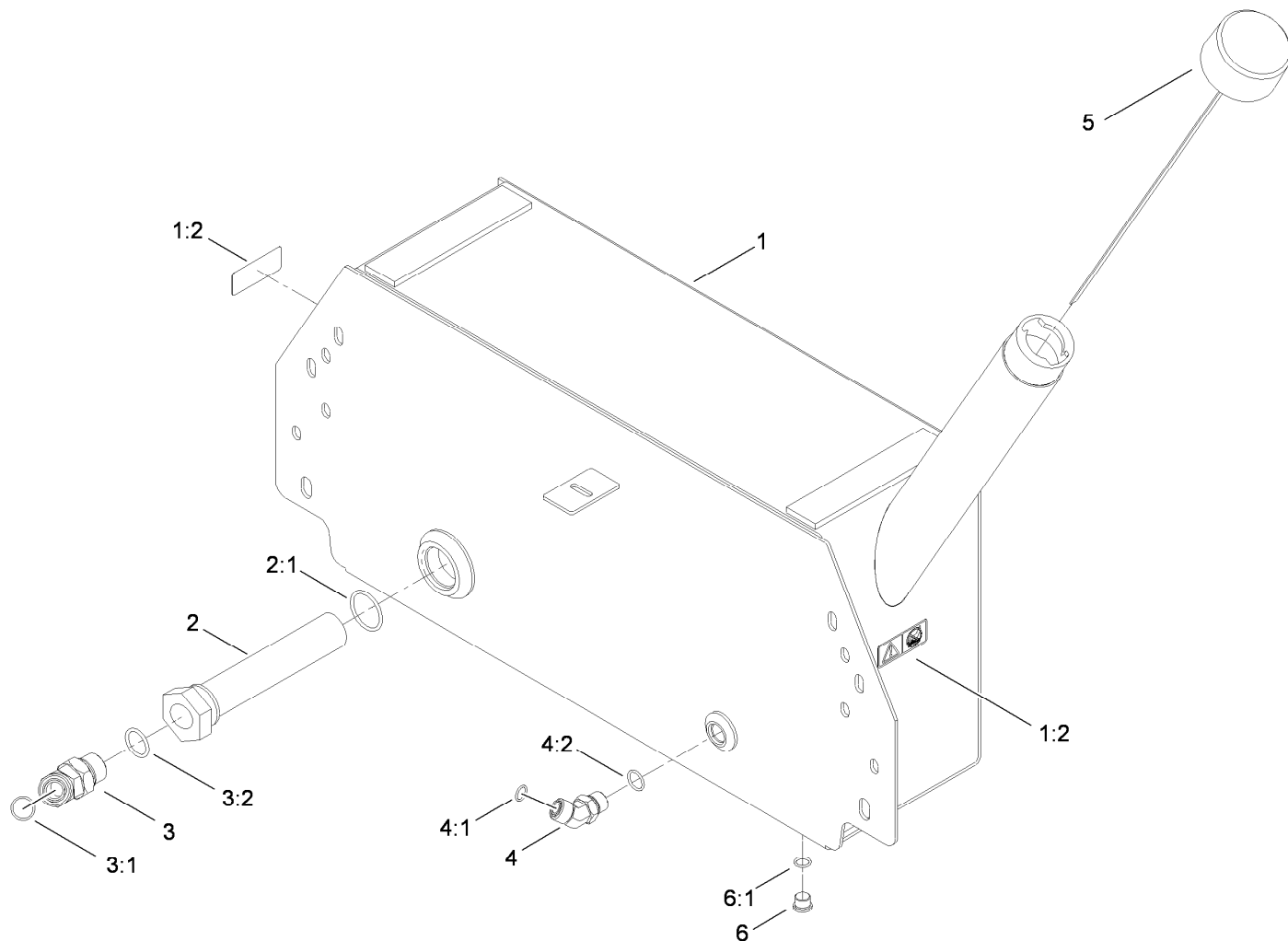
Ref.	Part Number	Qty.	Description	Ref.	Part Number	Qty.	Description
1	120-0839	1	Valve-Hydraulic, Relief	18	T0000-7684-01	1	Tray-Battery
1:1	120-0840	1	Valve-Cartridge	19	T0000-7677-01	1	Bracket-Battery / Filter
1:2	105-9159	1	Seal Kit	20	104-8162	1	Battery
2	119-6916	1	Tube-HYD	21	323-30	2	Screw-HH
3	107-1136	1	Hose ASM	22	3253-3	2	Washer-Lock
4	119-6913	1	HYD Tank ASM	23	T0000-3220	2	Tube-Bolt
5	T0000-7678-01	1	Bracket-Hose	24	T56031070	1	Pump
6	2412-104	3	Clamp-R	25	340-4	4	Fitting-HYD, Straight
7	2412-106	3	Clamp-R	25:1	237-30	1	O-Ring
8	340-101	2	Fitting-HYD, 45 DEG	25:2	237-79	1	O-Ring
8:1	237-30	1	O-Ring	26	119-6928	1	Hose-Hydraulic
8:2	237-79	1	O-Ring	27	119-6929	1	Hose-Hydraulic
9	119-6918	1	Hose-Hydraulic	28	95-3738	1	HYD Hose ASM
10	87-8780	1	Head-Filter	29	340-6	1	Fitting-HYD, Straight
11	119-6917	1	Hose-Hydraulic	29:1	237-30	1	O-Ring
12	321-6	2	Screw-HH	29:2	237-80	1	O-Ring
13	54-0110	1	Filter-Oil, Transmission	30	340-9	1	Fitting-Straight
14	3256-22	2	Washer-Flat	30:1	237-58	1	O-Ring
15	3256-24	4	Washer-Flat	30:2	237-81	1	O-Ring
16	323-7	2	Screw-HH	31	321-11	2	Screw-HH
17	T0000-7679-01	1	Strap-Mounting	32	104-7201	9	Nut-HF



Hydraulic Power Pack Assembly (continued)

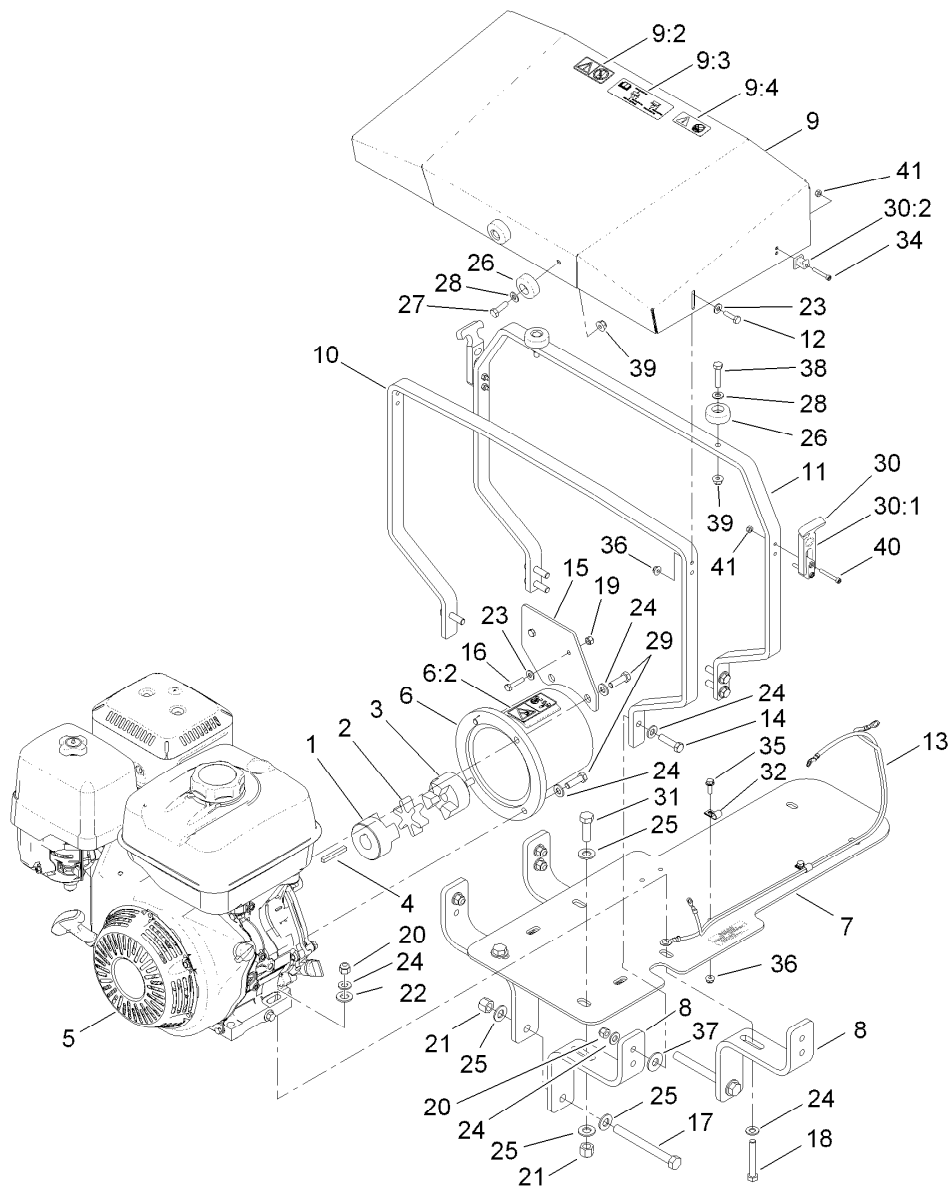
<i>Ref.</i>	<i>Part Number</i>	<i>Qty.</i>	<i>Description</i>
33	115-5103	9	Screw-HHF
34	32128-14	2	Nut-HF
35	104-8301	6	Nut-Flange, NI

<i>Ref.</i>	<i>Part Number</i>	<i>Qty.</i>	<i>Description</i>
36	3234-42	4	Screw-HHF
37	120-0877	1	Harness-Wire, Power Pack
37:1	109355	1	Fuse-15 Amp



Hydraulic Tank Assembly No. 119-6913

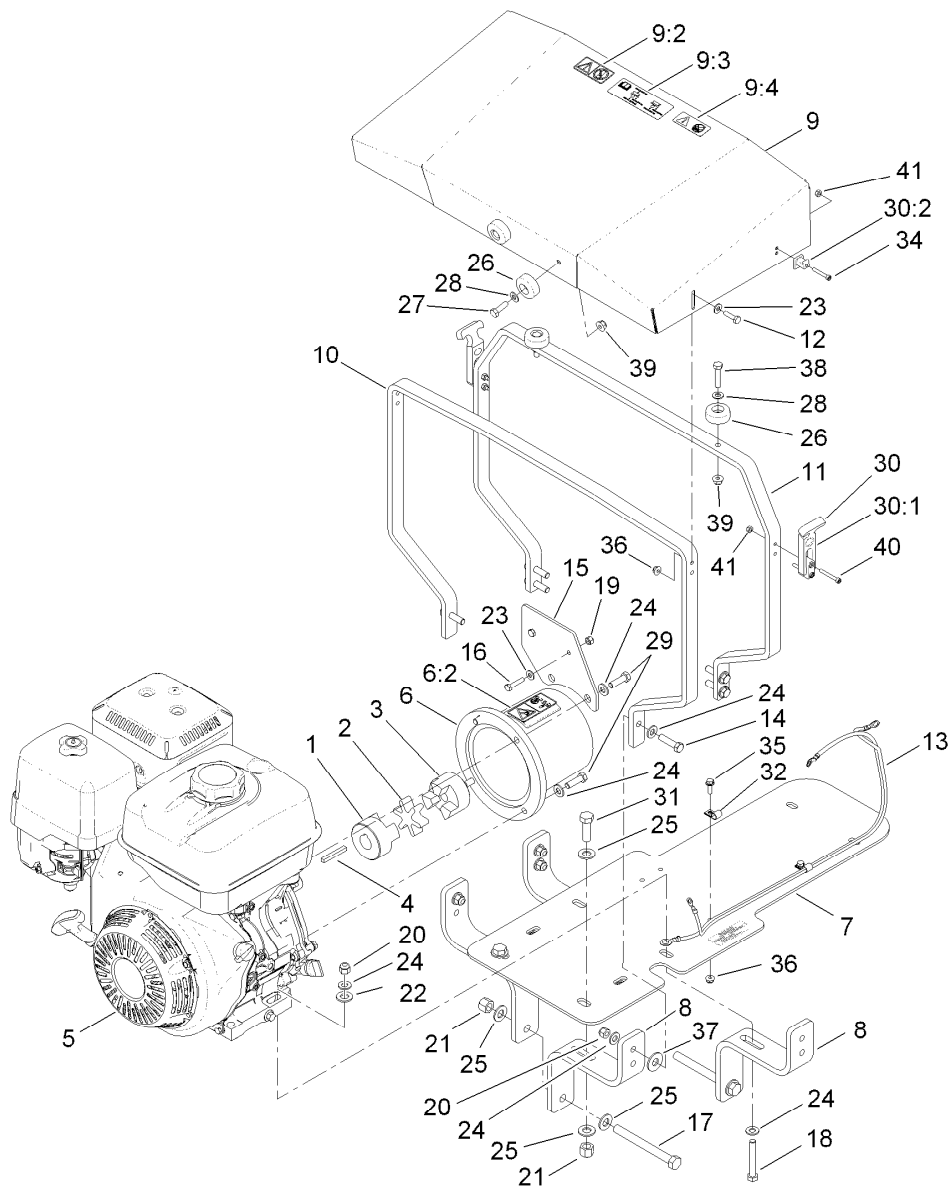
Ref.	Part Number	Qty.	Description
1	120-0833	1	HYD Tank Decal ASM
1:2	115-2047	2	Decal-Surface, Hot
2	87-3990	1	Strainer-Transaxle
2:1	237-123	1	O-Ring
3	100-5530	1	Fitting-HYD, 45 DEG
3:1	237-58	1	O-Ring
3:2	237-81	1	O-Ring
4	340-101	1	Fitting-HYD, 45 DEG
4:1	237-30	1	O-Ring
4:2	237-79	1	O-Ring
5	T0000-4560	1	Dipstick Filler Cap ASM
6	353-989	1	Plug-Hex, Hollow
6:1	237-42	1	O-Ring



Engine and Mounting Assembly

Ref.	Part Number	Qty.	Description	Ref.	Part Number	Qty.	Description
1	T59013015	1	Coupling-Jaw	14	323-8	6	Screw-HH
2	T59013022	1	Spider-Coupling	15	T36057020-01	1	Bracket-Generator, Engine
3	T59013005	1	Coupling-Jaw	16	321-8	2	Screw-HH
4	T01-29633B	1	Stock-Key	17	325-19	2	Screw-HH
5	T0002-1776	1	Engine-Honda, Gx340U1 Qnr2 ●	18	323-12	4	Screw-HH
6	T0000-7665	1	Flange Adaptor Decal ASM	19	3296-42	2	Nut-Lock, NI
6:2	119-6844	1	Decal-Warning, Shear	20	3296-39	10	Nut-Lock, NI
7	T0000-1349-01	1	Plate-Mount, Engine	21	3296-23	4	Nut-Lock, NI
8	T0000-7680-01	4	Bracket-Mount, Engine	22	106-9888	4	Washer-Flat
9	T36057010	1	Engine Cover ASM W/Decals	23	3256-22	4	Washer-Flat
9:2	119-6807	1	Decal-Warning, Do Not Step	24	3256-24	24	Washer-Flat
9:3	119-6829	1	Decal-Weight	25	3256-26	8	Washer-Flat
9:4	115-2047	1	Decal-Surface, Hot	26	T0000-2430	4	Bumper-Rubber
10	T36057015-01	1	Strut-Cover, Engine	27	322-5	2	Screw-HH
11	T0000-7685-01	1	Stop-Cover, Engine	28	3256-23	4	Washer-Flat
12	321-6	2	Screw-HH	29	323-7	4	Screw-HH
13	119-6899	1	Harness-Wire, Engine	30	104-0010	2	Latch-Draw, Flexible
				30:1	104-0011	1	Handle-Latch
				30:2	104-0012	1	Keeper-Latch

● Obtain parts from www.honda-engines.com



Engine and Mounting Assembly (continued)

<i>Ref.</i>	<i>Part Number</i>	<i>Qty.</i>	<i>Description</i>	<i>Ref.</i>	<i>Part Number</i>	<i>Qty.</i>	<i>Description</i>
31	325-6	2	Screw-HH	38	322-7	2	Screw-HH
32	2412-89	2	Clamp	39	104-8300	4	Nut-Flange, NI
34	3274-13	2	Screw-HSH	40	3274-59	4	Screw-HSH
35	115-5103	2	Screw-HHF	41	3296-2	6	Nut-Lock, NI
36	104-7201	4	Nut-HF				
37	T0000-2623	2	Washer-Poly, Ultra High Molecular Weight				

● Obtain parts from www.honda-engines.com

Notes:

Notes:

Notes:



Count on it.