



Count on it.

Parts Catalog

Hand Spray Gun Kit

Multi-Pro® 5800 Turf Sprayer

Model No. 41605—Serial No. 311000001 and Up

Ordering Replacement Parts

To order replacement parts, please supply the part number, the quantity, and the description of each part desired.

Understanding Reference Numbers

Each identified part in an illustration has a reference number. The reference number for a part also appears in the parts list, along with other information about the part.

This catalog uses two special reference number formats, one to indicate parts in a service assembly and another to indicate the quantity of a given part in an illustration.

Service Assembly Reference Numbers

Parts in service assemblies have reference numbers in the form a:b. The a represents the reference number of the entire service assembly and the b represents a sequential number unique to each part within the service assembly.

For example, a wheel assembly might be identified by reference number 6, the tire by 6:1, the valve by 6:2, and the wheel by 6:3. When you order the assembly identified by reference number 6, you receive all parts identified by reference numbers 6:1, 6:2, and 6:3. However, you may also order any part individually. Reference numbers of this type appear in illustration and in parts lists.

Reference Numbers Indicating Quantity

In an illustration, if a reference number indicates more than one part, the reference number has the form nX y. The n represents the quantity of the part, the X is the multiplication symbol, and the y represents the reference number.

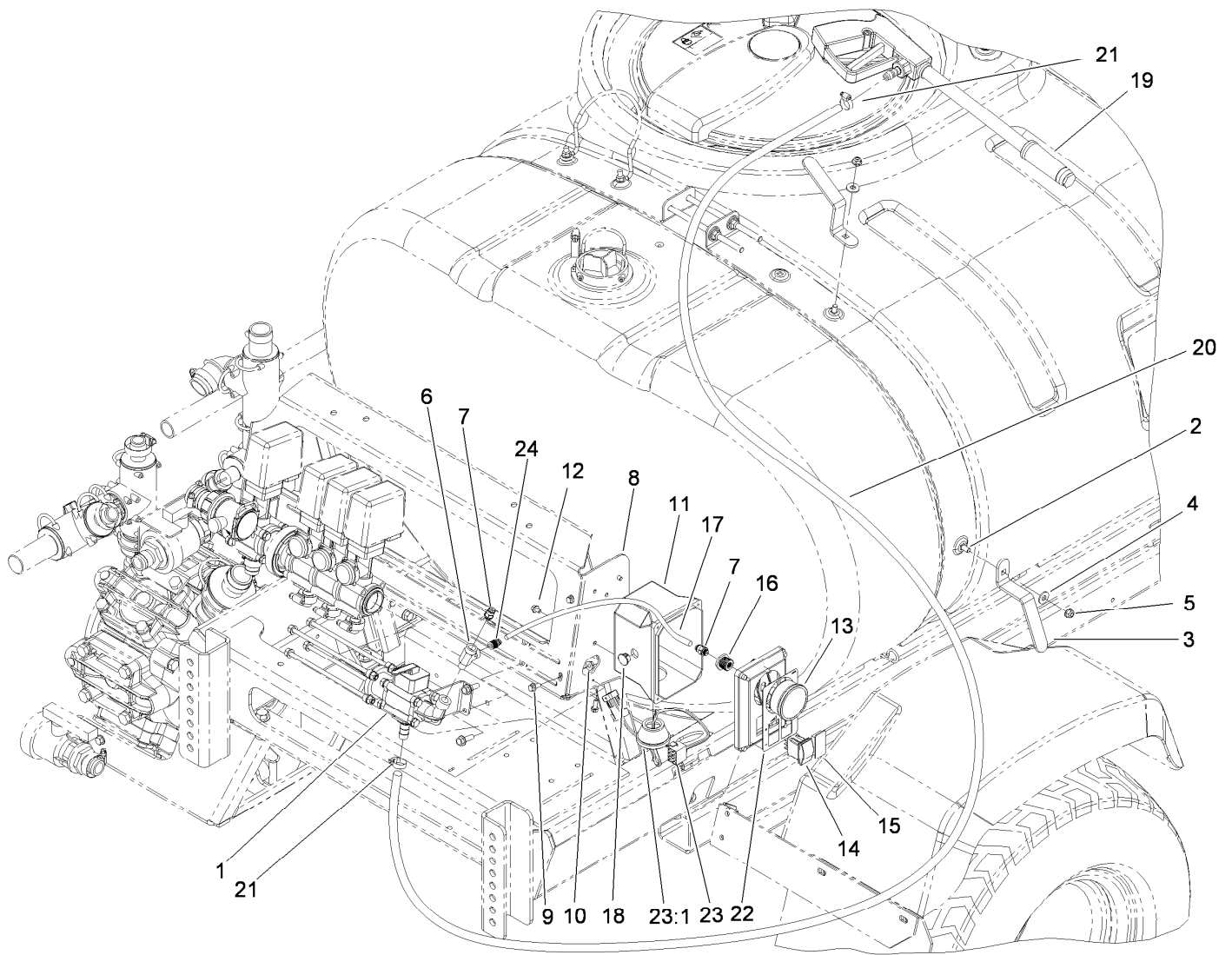
For example, in an illustration, the reference number 2X 37 means that two of the parts identified by reference number 37 are indicated.

List of Abbreviations

AR: as required	HSBH: hex socket button head	SFH: slotted fillister head
ASM: assembly	HSFH: hex socket flat head	SHH: slotted hex head
BBC: blade brake control	HSH: hex socket head	SHWH: slotted hex washer head
BHTF: button head thread forming	HWH: hex washer head	SPH: slotted pan head
CARR: carriage	HWHTF: hex washer head thread forming	SQH: square head
CCW: counter clockwise	HYD: hydraulic	SRH: slotted round head
CW: clockwise	LH: left hand	STD: standard
DEG: degrees	LP: Liquid Propane	TAP: self tapping
ECM: electronic control module	NI: nylon insert	TTH: torx truss head
EXT: external	NPTF: national pipe thread fine	
FH: flat head	PFH: phillips flat head	
GA: gauge	PPH: phillips pan head	
HD: heavy-duty	PPHTF: phillips pan head thread forming	
HF: hex flange	PRH: phillips round head	
HH: hex head	PTH: phillips truss head	
HHF: hex head flange	PTO: power-take-off	
HHFTF: hex head flange thread forming	RH: right hand	
HJ: hex jam	ROPS: roll-over protection system	
HLH: hex lag head	RRB: rear roller brush	
HOC: height-of-cut		

Contents

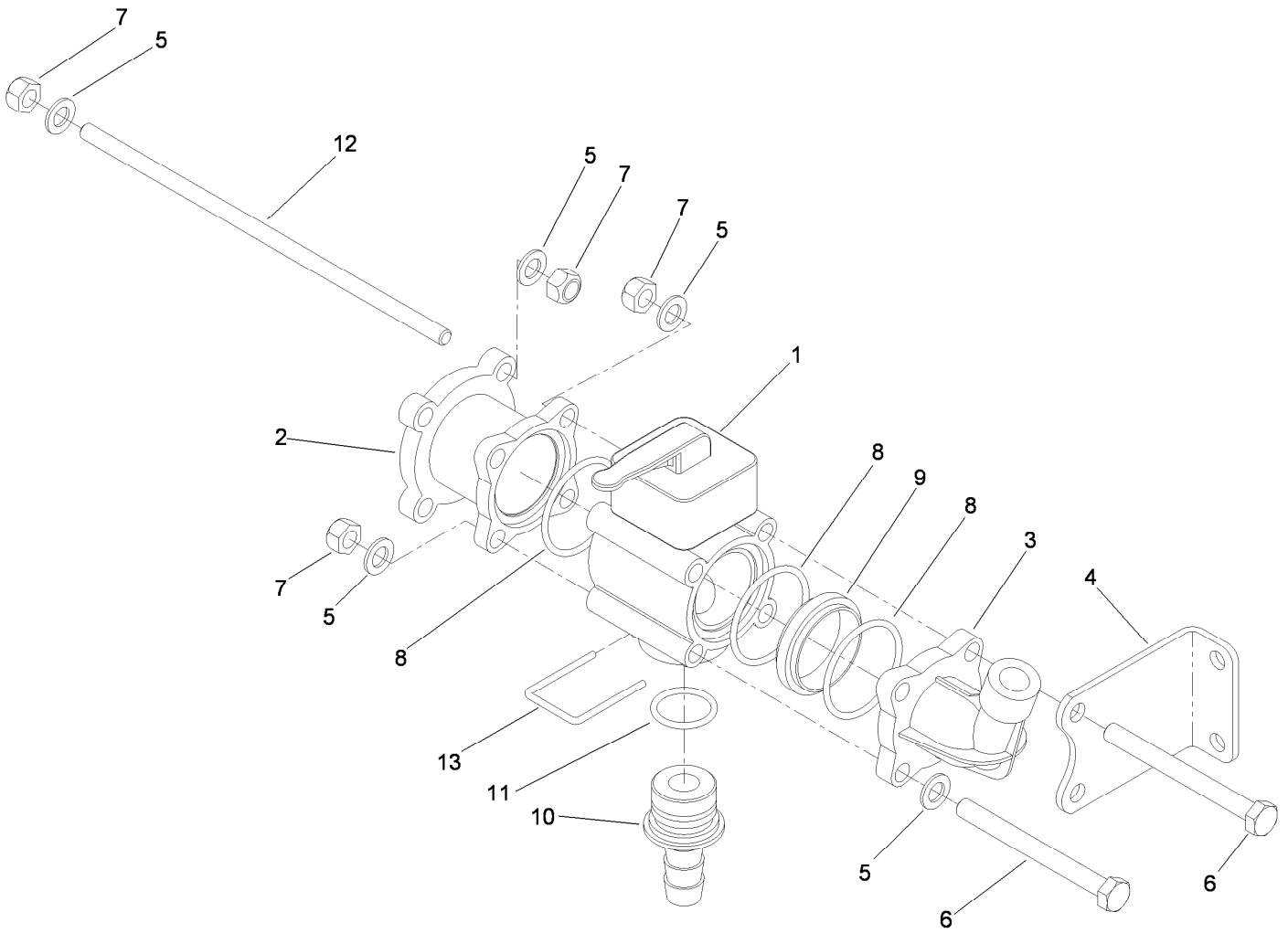
Hand Spray Gun Kit 4
Manual Valve Assembly 5
Spray Gun Assembly No. 100-6733 6



Hand Spray Gun Kit

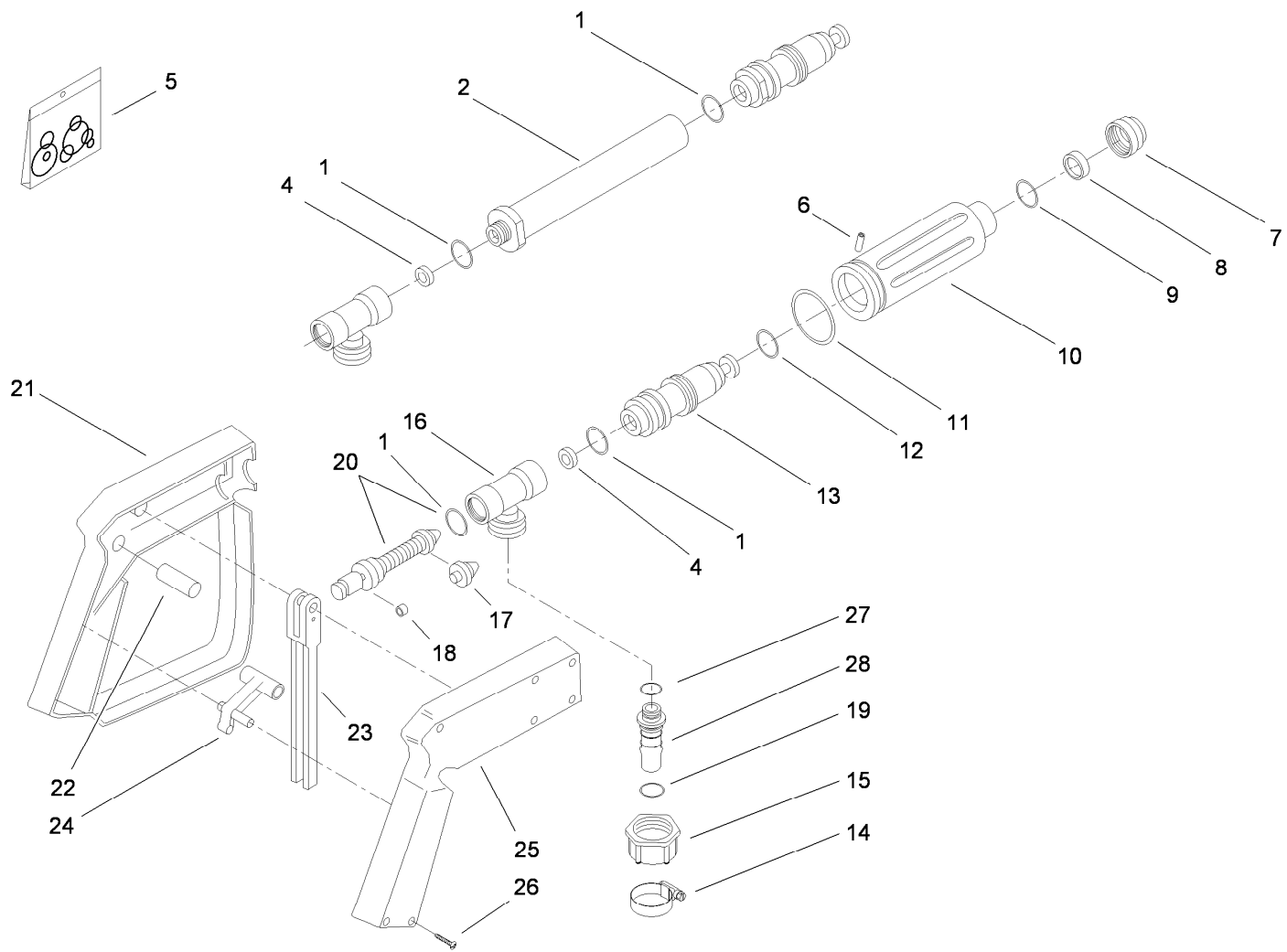
Ref.	Part Number	Qty.	Description	Ref.	Part Number	Qty.	Description
1		1	Manual Valve ASM ●	14	100-1535	1	Switch
2	3230-1	2	Bolt-CARR	15	99-7420	1	Plug-Hole
3	40153-03	2	Hook-Hose	16	100-8665	1	Gauge-Reducer, Pressure
4	3256-3	3	Washer-Flat	17	119-4954	1	Gauge-Pressure, Tube
5	104-8300	2	Nut-Flange, NI	18	94-5627	1	Plug
6	2815-16	1	Fitting-HYD, Tee	19	100-6733	1	Sprayer-Handheld
7	100-8667	1	Coupler-Reducer	20	107-8751	1	Hose-Spray Gun
8	119-0487-03	1	Mount-Control	21	2412-36	1	Clamp-Hose
9	3234-33	3	Screw-HHF	22	120-0686	1	Decal-Spray Gun
10	32128-33	3	Nut-HF	23	119-5788	1	Harness-Wire, Spray Gun
11	119-0485	1	Control Enclosure ASM	23:1	32180-033	1	Grommet
12	3234-26	4	Screw-HHF	24	100-8674	1	Coupler-Tube
13	110-5079	1	Gauge-Pressure				

● Not serviced separately



Manual Valve Assembly

Ref.	Part Number	Qty.	Description
1	119-4935	1	Valve-Manual
2	117-7976	1	Adapter-Male
3	117-7993	1	Port-Pressure Gauge
4	119-4973	1	Bracket-Mounting
5	119-4871	14	Washer
6	119-4866	4	Screw-HH
7	33024-00	12	Nut-Lock
8	119-4974	3	O-Ring
9	119-0453	1	Adapter-Male-Male
10	120-0682	1	Hosebarb
11	119-4975	1	O-Ring
12	120-0690	4	Rod-Threaded
13	119-4901	1	Fork



Spray Gun Assembly No. 100-6733

<i>Ref.</i>	<i>Part Number</i>	<i>Qty.</i>	<i>Description</i>	<i>Ref.</i>	<i>Part Number</i>	<i>Qty.</i>	<i>Description</i>
1	100-6649	3	O-Ring	16	99-0883	1	Housing-Valve
2	99-0885	1	Extension-Lance	17	104-8860	1	Cone
4	99-0884	1	Seal-Valve, On/Off	18	104-8861	1	Sleeve-Rubber
5	99-0779	1	Repair Kit	19	100-6647	1	O-Ring
6	99-0887	1	Pin	20	99-0882	1	Valve ASM
7	99-0890	1	Housing-Nozzle	21	99-0877	1	Handle-LH
8	99-0889	1	Nozzle-Ceramic	22	99-0878	1	Stop-Trigger, Rubber
9	100-6650	1	O-Ring	23	99-0880	1	Arm-Trigger
10	99-0886	1	Housing-Swirl	24	99-0879	1	Arm-Safety, Trigger
11	100-6646	1	O-Ring	25	99-0881	1	Handle-RH
12	100-6644	1	O-Ring	26	100-6666	1	Screw
13	99-0780	1	Swirl	27	100-6648	1	O-Ring
14	99-0772	1	Clamp-Hose	28	106-5093	1	Hosebarb-Brass
15	107-8734	1	Nut-Swivel				

Notes:



Count on it.