



Count on it.

Parts Catalog

48cm Super Recycler® Lawn Mower

Model No. 20837—Serial No. 311000001 and Up

Ordering Replacement Parts

To order replacement parts, please supply the part number, the quantity, and the description of each part desired.

Understanding Reference Numbers

Each identified part in an illustration has a reference number. The reference number for a part also appears in the parts list, along with other information about the part.

This catalog uses two special reference number formats, one to indicate parts in a service assembly and another to indicate the quantity of a given part in an illustration.

Service Assembly Reference Numbers

Parts in service assemblies have reference numbers in the form a:b. The a represents the reference number of the entire service assembly and the b represents a sequential number unique to each part within the service assembly.

For example, a wheel assembly might be identified by reference number 6, the tire by 6:1, the valve by 6:2, and the wheel by 6:3. When you order the assembly identified by reference number 6, you receive all parts identified by reference numbers 6:1, 6:2, and 6:3. However, you may also order any part individually. Reference numbers of this type appear in illustration and in parts lists.

Reference Numbers Indicating Quantity

In an illustration, if a reference number indicates more than one part, the reference number has the form nX y. The n represents the quantity of the part, the X is the multiplication symbol, and the y represents the reference number.

For example, in an illustration, the reference number 2X 37 means that two of the parts identified by reference number 37 are indicated.

List of Abbreviations

AR: as required

ASM: assembly

BBC: blade brake control

BHTF: button head thread forming

CARR: carriage

CCW: counter clockwise

CW: clockwise

DEG: degrees

DPA: Dual Point Adjustment

ECM: electronic control module

EXT: external

FH: flat head

GA: gauge

HD: heavy-duty

HF: hex flange

HH: hex head

HHF: hex head flange

HHFTF: hex head flange thread forming

HJ: hex jam

HLH: hex lag head

HOC: height-of-cut

HSBH: hex socket button head

HSFH: hex socket flat head

HSH: hex socket head

HWH: hex washer head

HWTF: hex washer head thread forming

HYD: hydraulic

LH: left hand

LP: Liquid Propane

NI: nylon insert

NPTF: national pipe thread fine

PFH: phillips flat head

PPH: phillips pan head

PPHTF: phillips pan head thread forming

PRH: phillips round head

PTH: phillips truss head

PTO: power-take-off

RH: right hand

ROPS: roll-over protection system

RRB: rear roller brush

SFH: slotted fillister head

SHH: slotted hex head

SHWH: slotted hex washer head

SPH: slotted pan head

SQH: square head

SRH: slotted round head

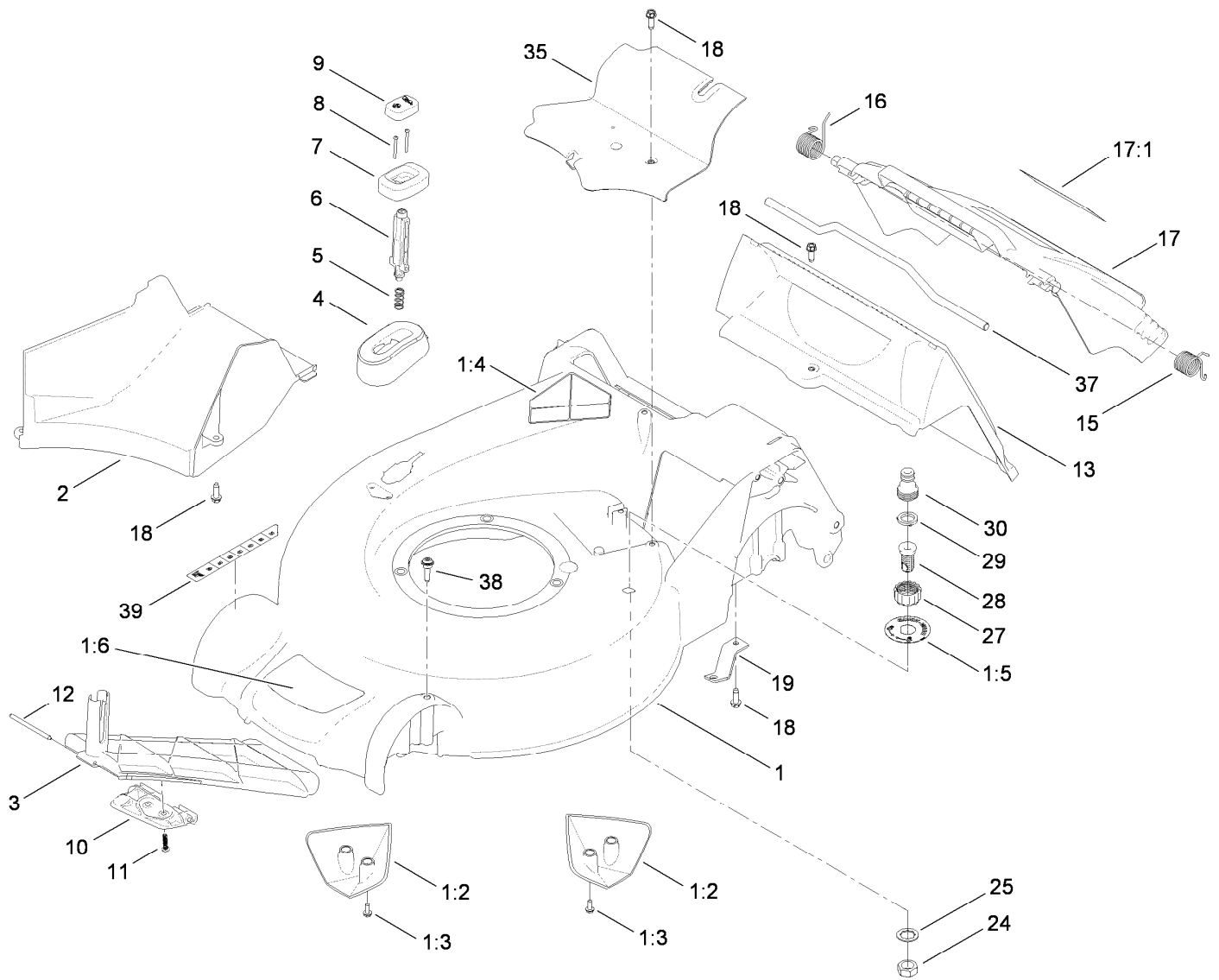
STD: standard

TAP: self tapping

TTH: torx truss head

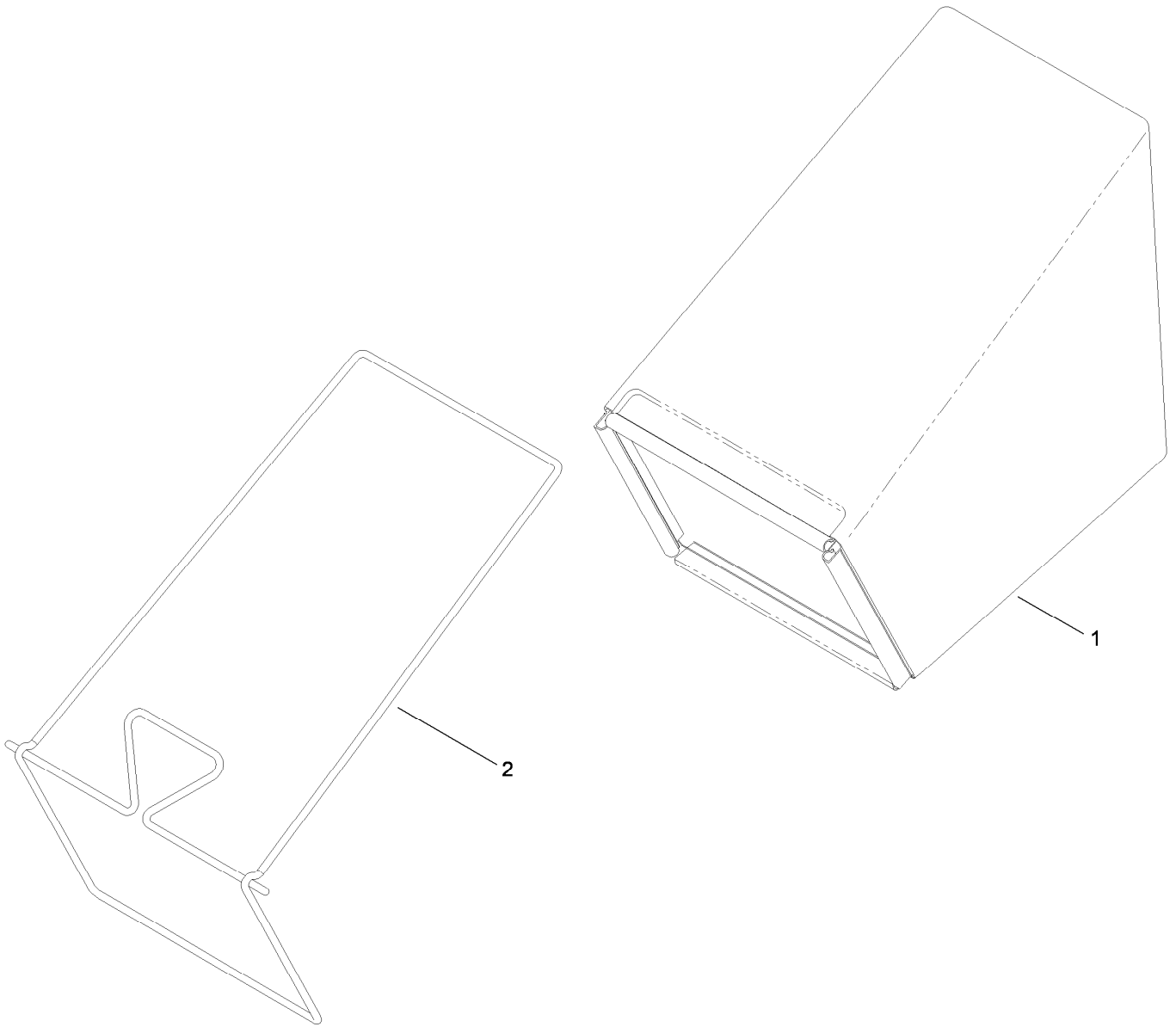
Contents

- Housing and Rear Door Assembly 4
- Bag and Frame Assembly..... 5
- Engine and Blade Assembly..... 6
- Traction, Height-of-Cut and Suspension Assembly..... 7
- Transmission and Belt Assembly..... 8
- Handle Assembly..... 9
- Attachments and Accessories 10



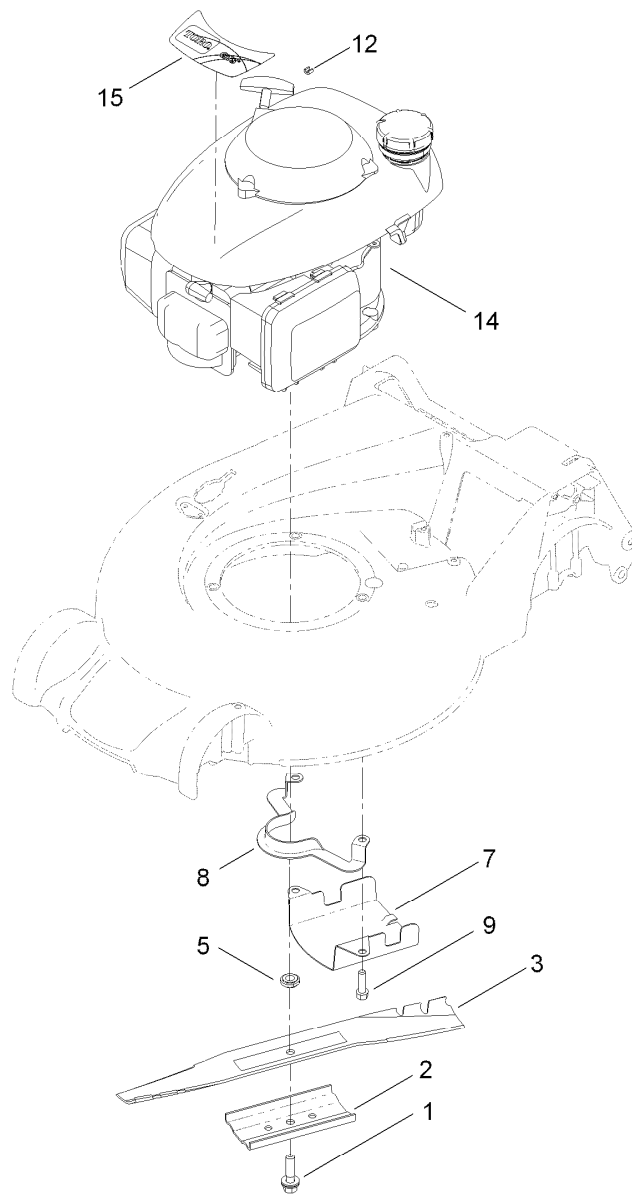
Housing and Rear Door Assembly

Ref.	Part Number	Qty.	Description	Ref.	Part Number	Qty.	Description
1	117-4093	1	Housing ASM	15	115-2859	1	Spring-Torsion
1:2	99-6485	2	Kicker-Front	16	114-7924	1	Spring-Torsion
1:3	32144-1	4	Screw-Taptite	17	117-4085	1	Rear Door ASM
1:4	112-8760	1	Decal-Danger	17:1	114-7982	1	Decal-Warning
1:5	112-8867	1	Decal-Port, Washout	18	49-2040	5	Screw-HWHTF
1:6	117-9358	1	Decal-Housing	19	117-9385	1	Bracket-Cable, Traction
2	117-4063	1	Ramp-Discharge	24	3218-6	1	Nut-Jam
3	117-4064	1	Door-Recycle	25	3254-5	1	Washer-Tooth, Internal
4	117-4065	1	Cover-Door, Recycle	27	112-6401	1	Coupling-Hose, Washout Port
5	117-1031	1	Spring-Compression	28	112-6400	1	Port-Washout
6	110-7129	1	Latch-Recycle	29	112-6438	1	Washer-Seal, Washout Port
7	110-7136	1	Housing-Knob	30	112-6437	1	Adapter-Connect, Quick
8	110-7143	2	Screw-Torx, Pan Head	35	117-4062	1	Cover-Belt
9	119-2254	1	Knob-Recycle	37	117-9378	1	Rod-Deflector
10	119-2262	1	Hinge-Door, Recycle	38	119-2267	1	Screw-Shoulder, BHTF
11	108-7476	2	Screw-Plastite	39	119-2283	1	Decal-HOC
12	119-2263	1	Pin-Hinge				
13	114-2668	1	Chute				



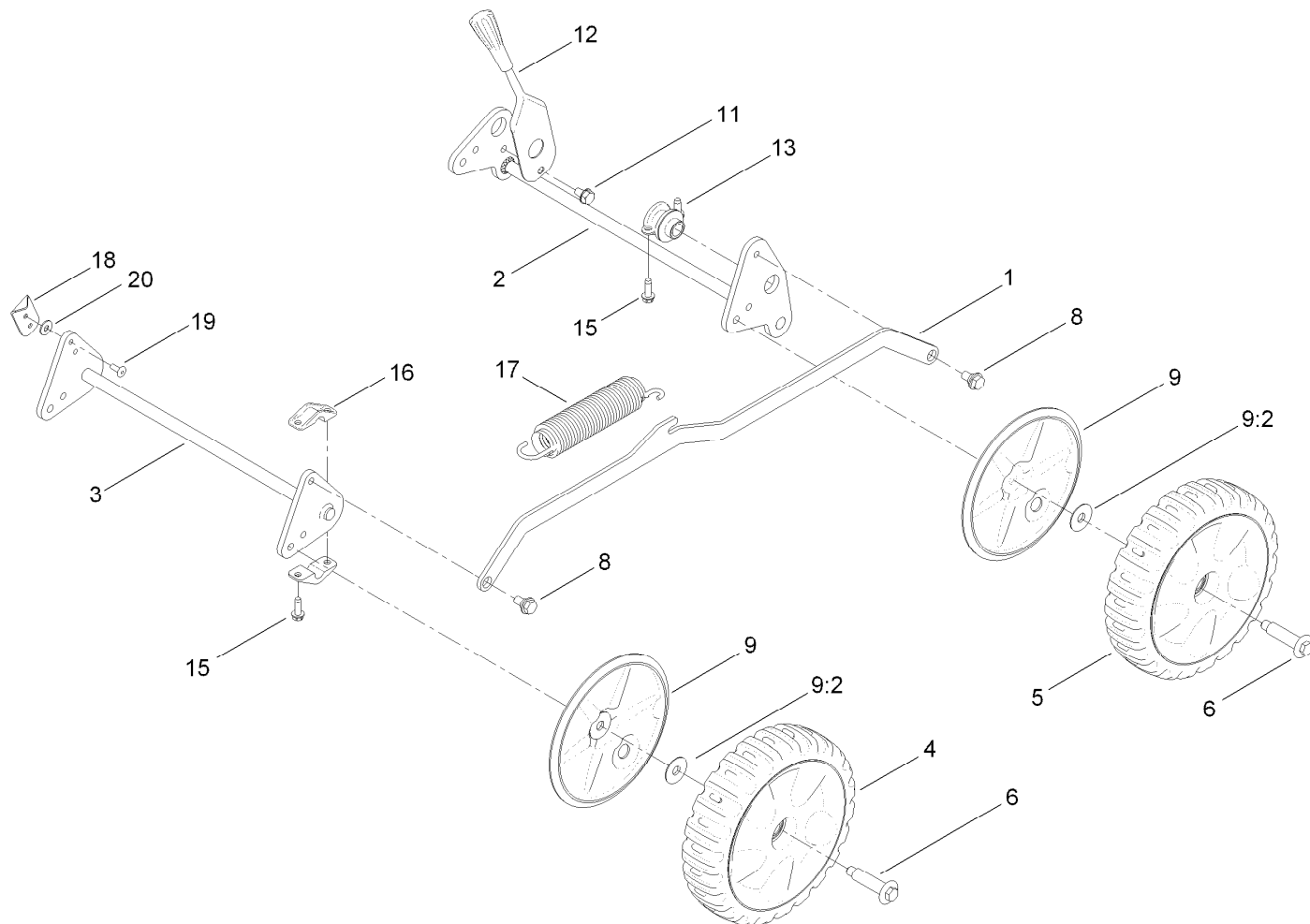
Bag and Frame Assembly

<i>Ref.</i>	<i>Part Number</i>	<i>Qty.</i>	<i>Description</i>
1	117-9365	1	Grass Bag ASM
2	117-9363-03	1	Bag Frame ASM



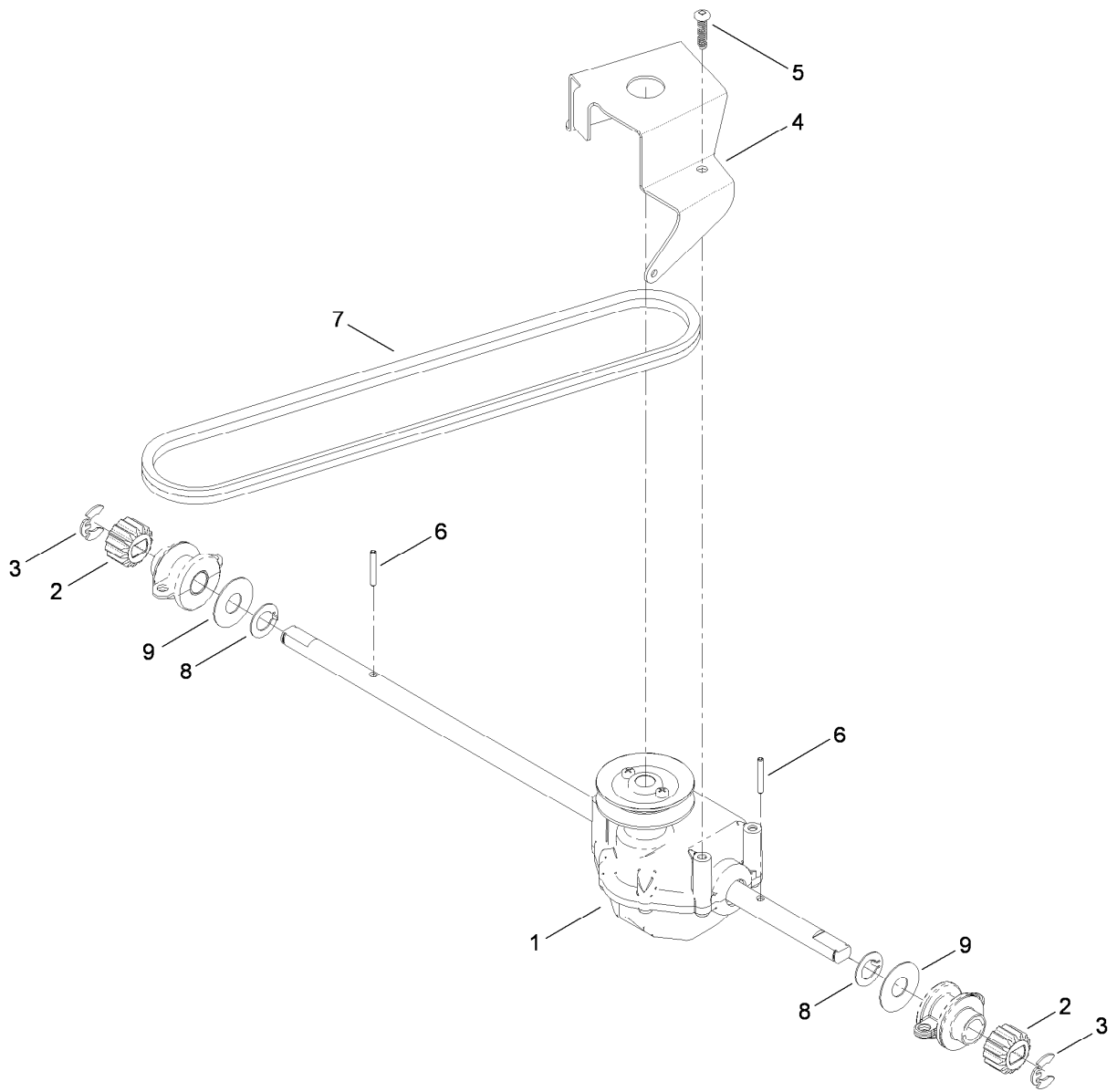
Engine and Blade Assembly

<i>Ref.</i>	<i>Part Number</i>	<i>Qty.</i>	<i>Description</i>
1	117-5270	1	Bolt-Blade
2	108-3766-03	1	Support-Blade
3	110-7080	1	Blade
5	106-3999	1	Spacer-Driver
7	107-7489-03	1	Shield-Grass
8	108-8110-03	1	Guide-Belt
9	92-1648	3	Screw-Mount, Engine
12	92-1701	1	Stop-Rope
14	119-3754	1	Engine-Honda, 880661-Gcv160
15	120-1949	1	Decal-Engine



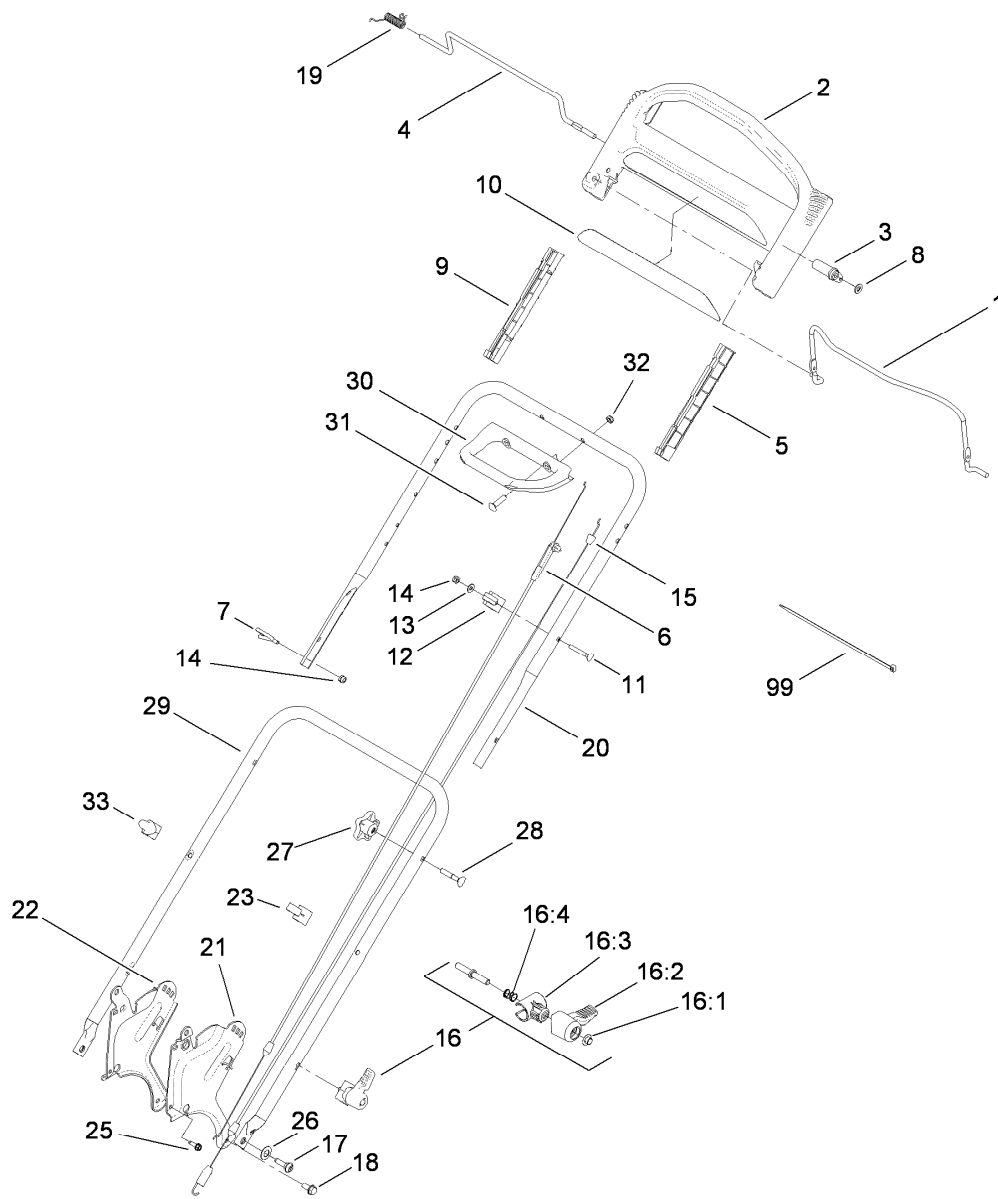
Traction, Height-of-Cut and Suspension Assembly

Ref.	Part Number	Qty.	Description	Ref.	Part Number	Qty.	Description
1	117-4066-01	1	Bar-Cross, HOC	11	32104-82	1	Screw-HHF
2	120-0196-03	1	Bar-Pivot, Rear	12	117-4084	1	Handle-Lift Assist
3	120-3902-03	1	Front Pivot Bar ASM	13	119-2278	2	Bushing ASM
4	117-4082	2	8 Inch Wheel ASM	15	49-2040	8	Screw-HWHTF
5	117-4083	2	8 Inch Wheel And Gear ASM	16	100-1500	4	Mount-Axle, Front
6	614650	4	Bolt-Shoulder	17	119-2265	1	Spring-Extension
8	27-0411	2	Screw-Shoulder	18	119-2286	1	Indicator-HOC
9	117-4088	4	Wheel Cover ASM	19	114439	2	Rivet-Pop
9:2	614426	1	Washer-Stepped	20	3256-1	2	Washer-Flat



Transmission and Belt Assembly

Ref.	Part Number	Qty.	Description
1	117-4086	1	Transmission-Gearbox
2	110-9417	2	Gear-Pinion, 15T
3	65-2720	2	Ring-Clip, Locking
4	114-7977-03	1	Bracket-Transmission
5	120-0185	3	Screw-Ph, T20
6	110-7192	2	Pin-Roll
7	110-9429	1	V-Belt
8	112-3911	2	Washer-Thrust, Keyed
9	110-7179	2	Washer-Plain



Handle Assembly

Ref.	Part Number	Qty.	Description	Ref.	Part Number	Qty.	Description
1	104-8679-03	1	Bail-Brake	16:4	115-2858	1	Spring-Compression
2	104-8678	1	Handle-Control	17	119-2267	2	Screw-Shoulder, BHTF
3	99-1589	1	Lever-Traction	18	32144-11	2	Screw-HWHTF
4	99-1588	1	Bar-Control, Traction	19	104-8690	1	Spring-Torsion
5	105-6842	1	Guide-LH	20	117-9376-05	1	Handle-Upper
6	108-8157	1	Cable-Brake	21	114-2671-03	1	Bracket-Handle, LH
7	86-9671	1	Guide-Rope	22	114-2672-03	1	Bracket-Handle, RH
8	3256-23	1	Washer-Flat	23	114-7988	1	Guide-Cable
9	105-6841	1	Guide-RH	25	49-2040	2	Screw-HWHTF
10	120-3911	1	Decal-Ads, Handle	26	112-9972	2	Washer-Conical, Spring
11	95-4453	1	Screw	27	117-5976	2	Knob-Handle, Locking
12	99-5239	1	Anchor-Cable	28	112-8876	2	Screw-Handle
13	3256-1	1	Washer-Flat	29	117-9380-05	1	Handle-Lower
14	3296-73	2	Nut-Lock, NI	30	99-1591	1	Handle-Assist, Traction
15	117-9389	1	Cable-Traction	31	99-6005	2	Bolt-Carriage
16	115-2860	2	Quick Release ASM	32	99-6007	2	Nut-Lock, NI
16:1	109-0917	1	Nut-Push	33	117-9384	1	Guide-Rope, Flexible
16:2	114-7995	1	Lever	99	614249	2	Strap-Tie
16:3	114-7996	1	Anchor-Spring				

Attachments and Accessories

For 20837 48cm Super Recycler Lawn Mower

Product Name

Model/Part

Toro Walk Mower Cover.....	490-7462
Plain Walk Mower Cover.....	490-7463

Notes:



Count on it.