



**Count on it.**

**Parts Catalog**

**TimeCutter® Z5035 Riding Mower**

Model No. 74376—Serial No. 31000001 and Up

# Ordering Replacement Parts

To order replacement parts, please supply the part number, the quantity, and the description of each part desired.

## Understanding Reference Numbers

Each identified part in an illustration has a reference number. The reference number for a part also appears in the parts list, along with other information about the part.

This catalog uses two special reference number formats, one to indicate parts in a service assembly and another to indicate the quantity of a given part in an illustration.

## Service Assembly Reference Numbers

Parts in service assemblies have reference numbers in the form a:b. The a represents the reference number of the entire service assembly and the b represents a sequential number unique to each part within the service assembly.

For example, a wheel assembly might be identified by reference number 6, the tire by 6:1, the valve by 6:2, and the wheel by 6:3. When you order the assembly identified by reference number 6, you receive all parts identified by reference numbers 6:1, 6:2, and 6:3. However, you may also order any part individually. Reference numbers of this type appear in illustration and in parts lists.

## Reference Numbers Indicating Quantity

In an illustration, if a reference number indicates more than one part, the reference number has the form nX y. The n represents the quantity of the part, the X is the multiplication symbol, and the y represents the reference number.

For example, in an illustration, the reference number 2X 37 means that two of the parts identified by reference number 37 are indicated.

# List of Abbreviations

**AR:** as required

**ASM:** assembly

**BBC:** blade brake control

**BHTF:** button head thread forming

**CARR:** carriage

**CCW:** counter clockwise

**CW:** clockwise

**DEG:** degrees

**ECM:** electronic control module

**EXT:** external

**FH:** flat head

**GA:** gauge

**HD:** heavy-duty

**HF:** hex flange

**HH:** hex head

**HHF:** hex head flange

**HHFTF:** hex head flange thread forming

**HJ:** hex jam

**HLH:** hex lag head

**HOC:** height-of-cut

**HSBH:** hex socket button head

**HSFH:** hex socket flat head

**HSH:** hex socket head

**HWH:** hex washer head

**HWHTF:** hex washer head thread forming

**HYD:** hydraulic

**LH:** left hand

**LP:** Liquid Propane

**NI:** nylon insert

**NPTF:** national pipe thread fine

**PFH:** phillips flat head

**PPH:** phillips pan head

**PPHTF:** phillips pan head thread forming

**PRH:** phillips round head

**PTH:** phillips truss head

**PTO:** power-take-off

**RH:** right hand

**ROPS:** roll-over protection system

**RRB:** rear roller brush

**SFH:** slotted fillister head

**SHH:** slotted hex head

**SHWH:** slotted hex washer head

**SPH:** slotted pan head

**SQH:** square head

**SRH:** slotted round head

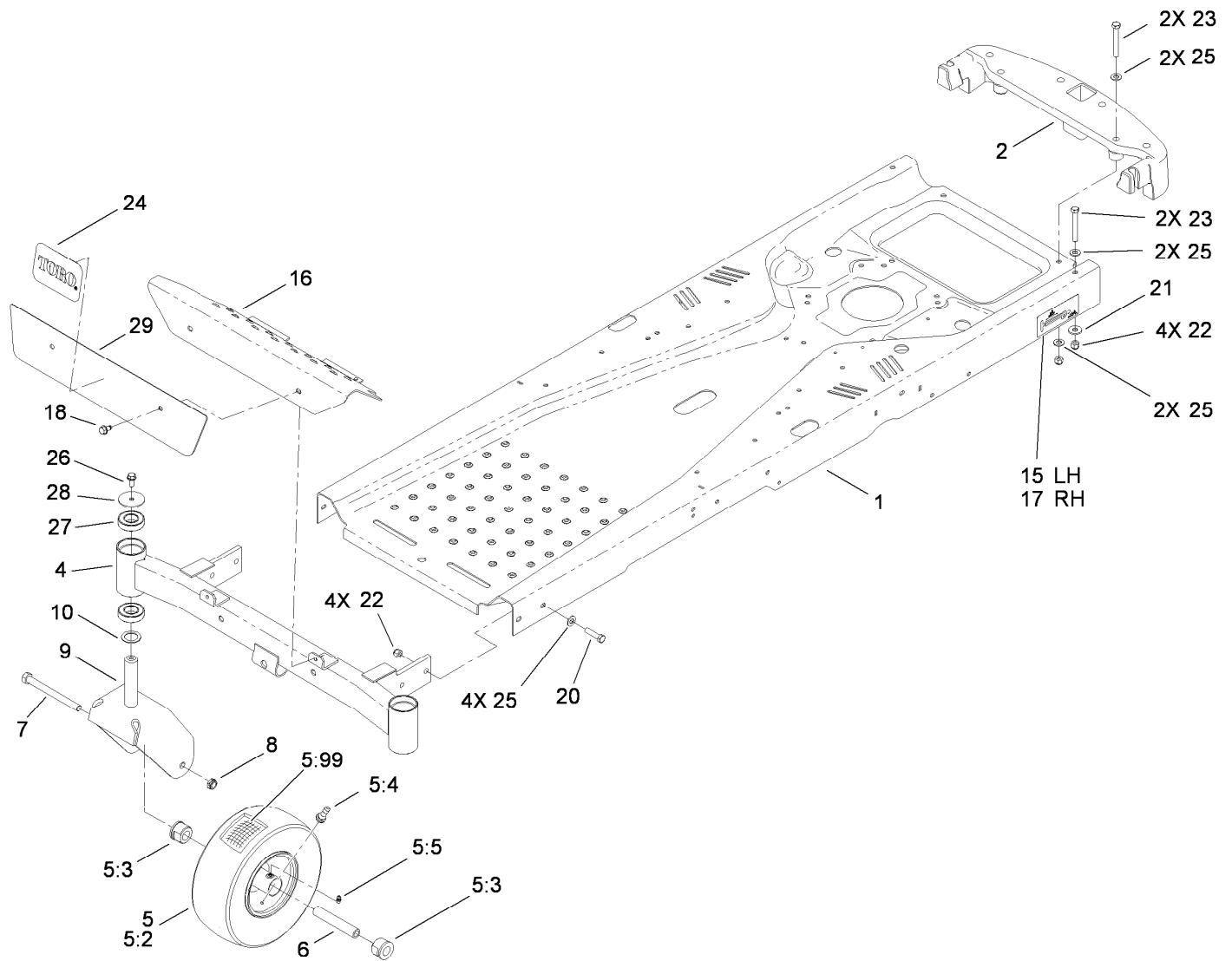
**STD:** standard

**TAP:** self tapping

**TTH:** torx truss head

# Contents

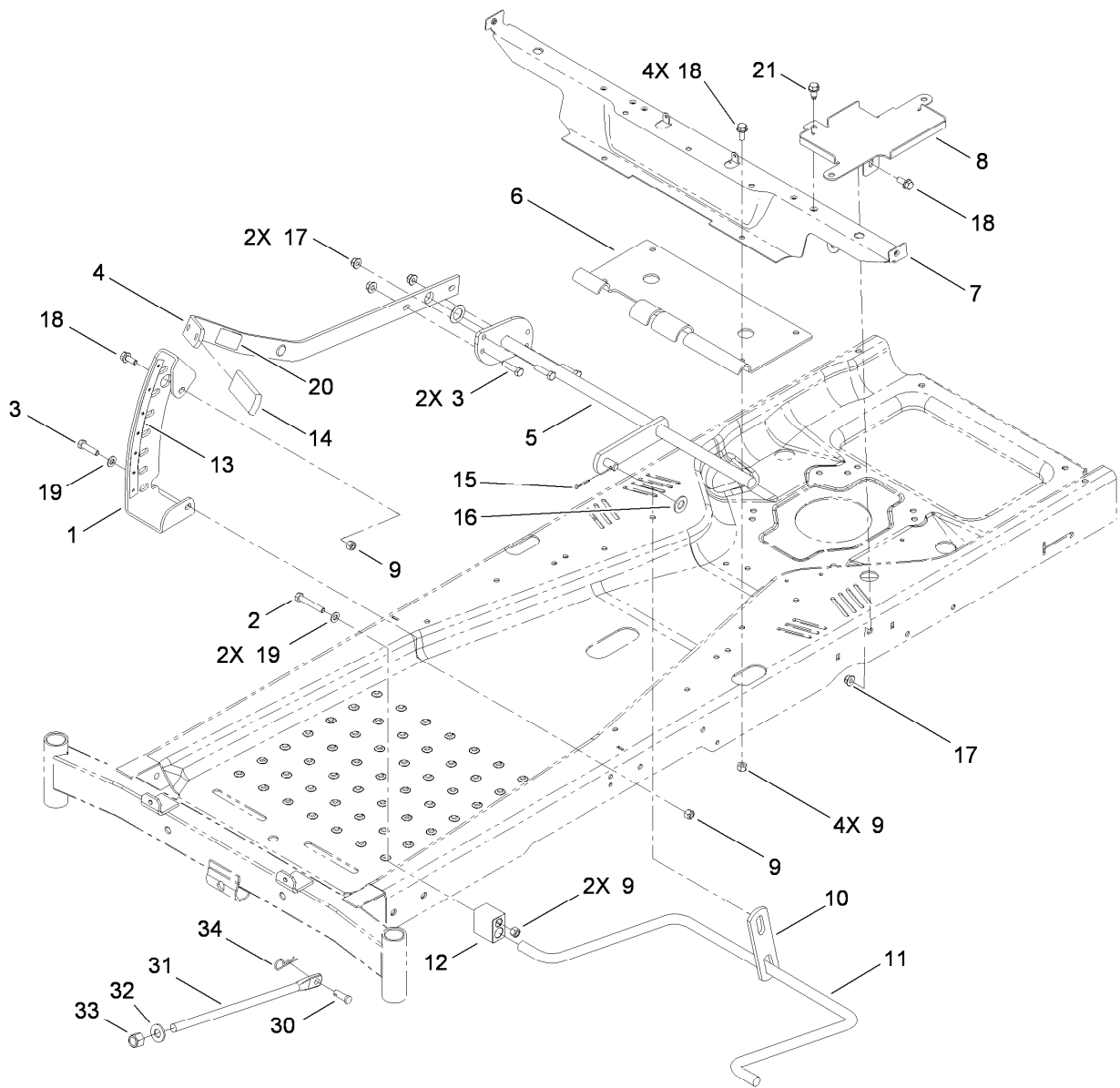
Frame and Caster Wheel Assembly .....	4
Deck Lift Assembly.....	5
Seat Assembly .....	6
Seat and Armrest Kit Assembly No. 117-1227.....	7
Motion Control Assembly .....	8
Hydro Traction Drive Assembly .....	9
RH Hydro Assembly No. 110-6771 .....	10
LH Hydro Assembly No. 110-6770 .....	12
Engine and Clutch Assembly .....	14
Fuel Delivery and Body Styling Assembly .....	15
Electrical Assembly .....	16
50 Inch Deck Assembly.....	17
50 Inch Deck Decal Assembly No. 117-1291.....	18
50 Inch Deck Spindle and Blade Assembly .....	19
Attachments and Accessories .....	20



## Frame and Caster Wheel Assembly

Ref.	Part Number	Qty.	Description	Ref.	Part Number	Qty.	Description
1	115-2464-01	1	Frame	15	114-8532	1	Decal-Transport, LH
2	110-6899-03	1	Bumper-Rear	16	108-7855-03	1	Footrest
4	117-1160-01	1	Front Axle ASM	17	114-8531	1	Decal-Transport, RH ●
5	117-7293	2	11 Inch Tire And Wheel ASM	18	32104-32	2	Screw-HWH
5:2	117-7387	1	Tire-Ribbed	20	323-8	4	Screw-HH
5:3	114-1640	2	Bushing-Flange	21	80-6990	2	Washer-Hardened
5:4	232-27	1	Stem-Valve	22	3296-39	8	Nut-Lock, NI
5:5	302-5	1	Fitting-Grease	23	323-13	4	Screw-HH
5:99	117-1234	1	Tube-Inner	24	105-8278	1	Decal
6	117-7498	2	Bushing-Spanner	25	3256-24	10	Washer-Flat
7	325-22	2	Screw-HH	26	3234-47	2	Screw-HHF
8	3296-45	2	Nut-Lock, NI	27	109-3678	4	Bearing-Ball
9	117-7383-01	2	Caster Fork ASM	28	109-3724	2	Washer
10	117-7394	2	Washer-Thrust	29	117-1237-03	1	Plate-Footrest

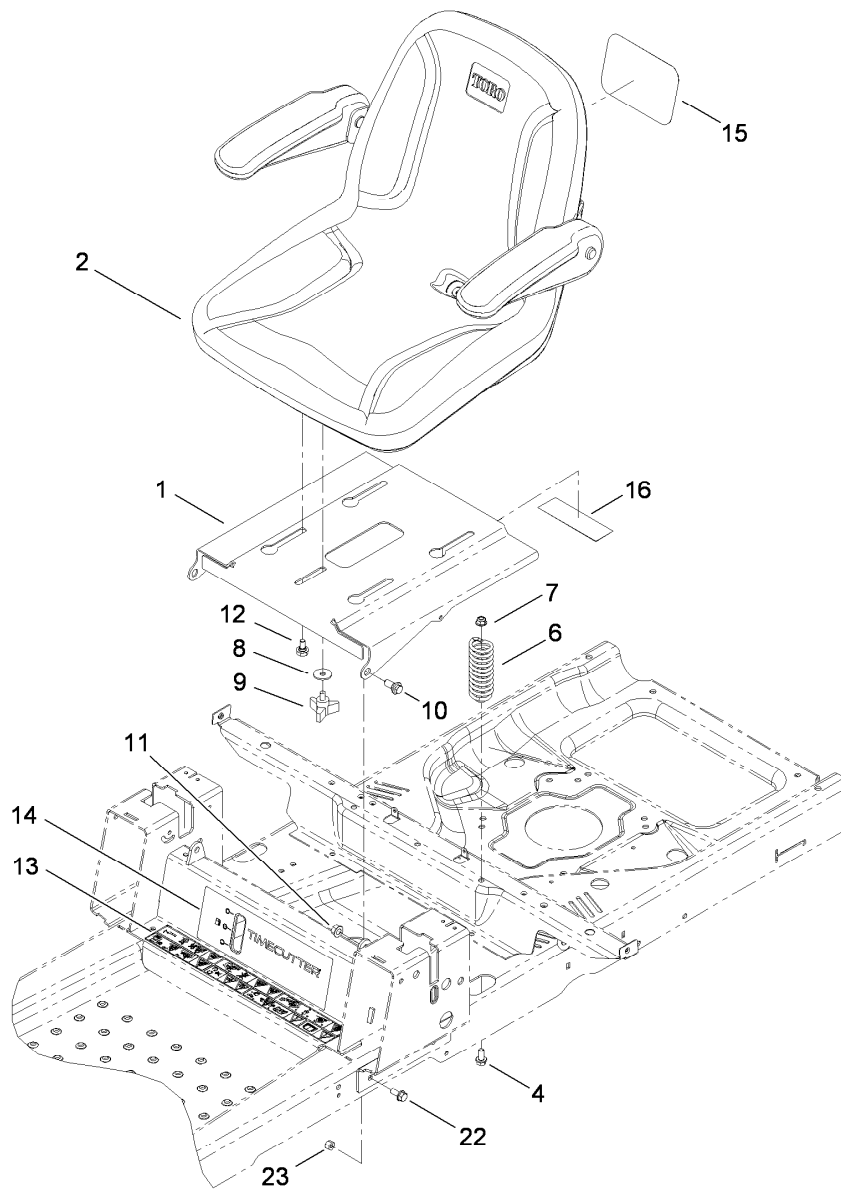
● Not illustrated



## Deck Lift Assembly

Ref.	Part Number	Qty.	Description
1	112-4027-03	1	Sector-HOC
2	322-10	2	Screw-HH
3	322-6	3	Screw-HH
4	112-3960-03	1	Lift Arm ASM
5	108-7841-03	1	Lift Lever ASM
6	110-6800-03	1	Plate-Lift
7	110-6805-03	1	Bracket-Seat/Pods
8	110-1937-03	1	Tray-Battery
9	3296-29	8	Nut-Lock, NI
10	108-7840	1	Link-Lift
11	108-7839	1	Arm-Lift, Rear
12	108-7845	2	Block-Pivot
13	112-9802	1	Decal-HOC

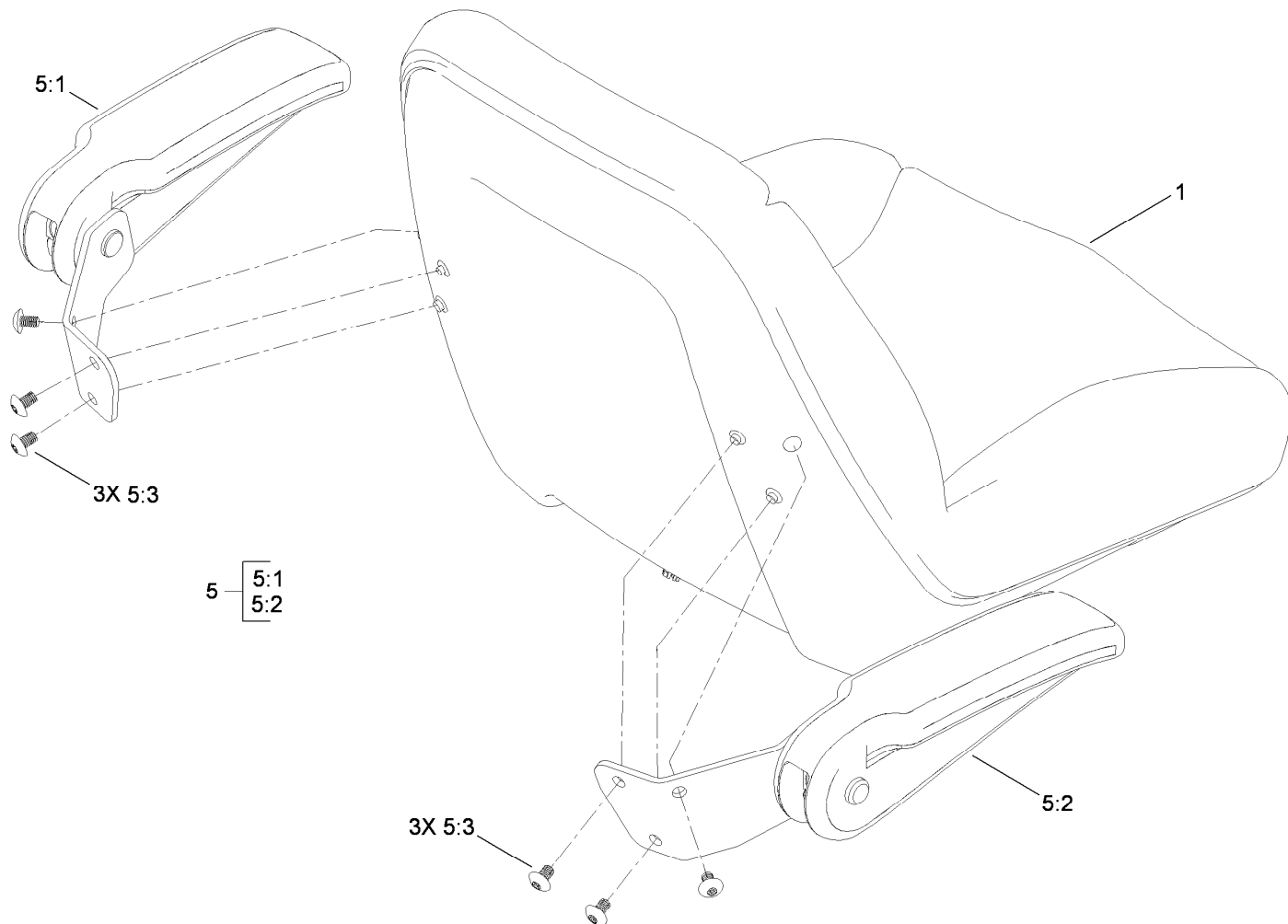
Ref.	Part Number	Qty.	Description
14	105-3450	1	Grip-Lever, Lift
15	3272-10	1	Pin-Cotter
16	3256-26	1	Washer-Flat
17	104-8300	3	Nut-Flange, NI
18	3234-47	6	Screw-HHF
19	3256-23	3	Washer-Flat
20	106-8743	1	Decal-HOC
21	32104-32	1	Screw-HWH
30	1-808284	1	Pin-Clevis
31	108-7847	1	Rod-Lift
32	87-7270	1	Washer-Thrust
33	3296-23	1	Nut-Lock, NI
34	9335054	1	Pin-Hair



## Seat Assembly

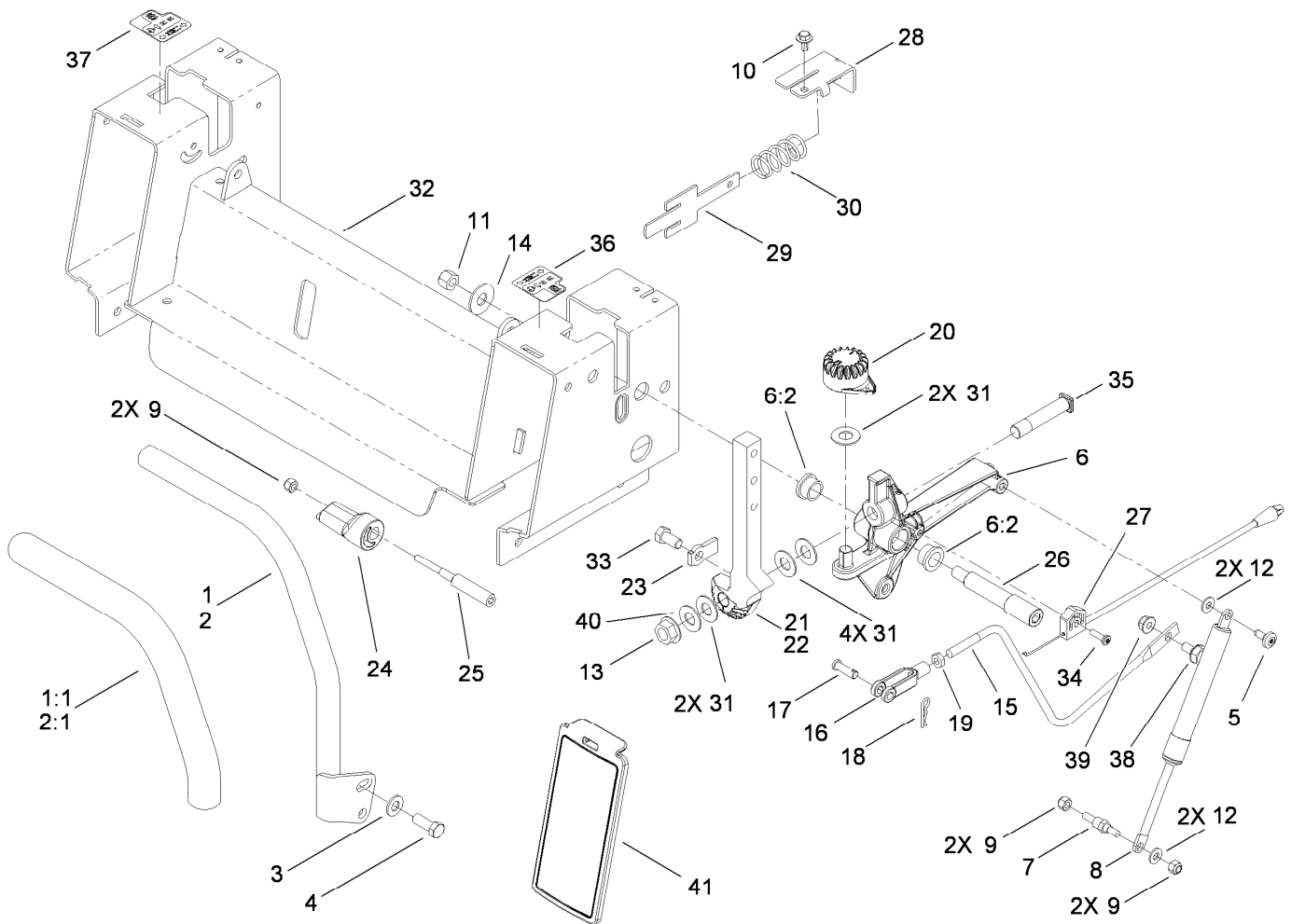
Ref.	Part Number	Qty.	Description
1	115-2465-03	1	Base-Seat
2	117-1227	1	18 Inch Seat ASM W/ Armrests
4	3234-47	2	Screw-HHF
6	92-7054	2	Spring-Compression
7	104-8300	2	Nut-Flange, NI
8	5-4460	1	Washer-Pivot
9	92-9674	1	Knob
10	94-7582	2	Bolt-Shoulder

Ref.	Part Number	Qty.	Description
11	32128-21	2	Nut-HF
12	37-8771	4	Bolt-Shoulder
13	115-2469	1	Decal-Danger
14	117-7222	1	Decal-Timecutter
15	99-4693	1	Decal
16	106-8717	1	Decal-Service
22	3234-7	7	Screw-HHF
23	3296-29	7	Nut-Lock, NI



## Seat and Armrest Kit Assembly No. 117-1227

<i>Ref.</i>	<i>Part Number</i>	<i>Qty.</i>	<i>Description</i>
1	117-1226	1	Seat-18 Inch
5	108-6163	1	Armrest Kit
5:1	110-6569	1	LH Armrest Kit
5:2	110-6570	1	RH Armrest Kit
5:3	108-6179	6	Screw-HSBH

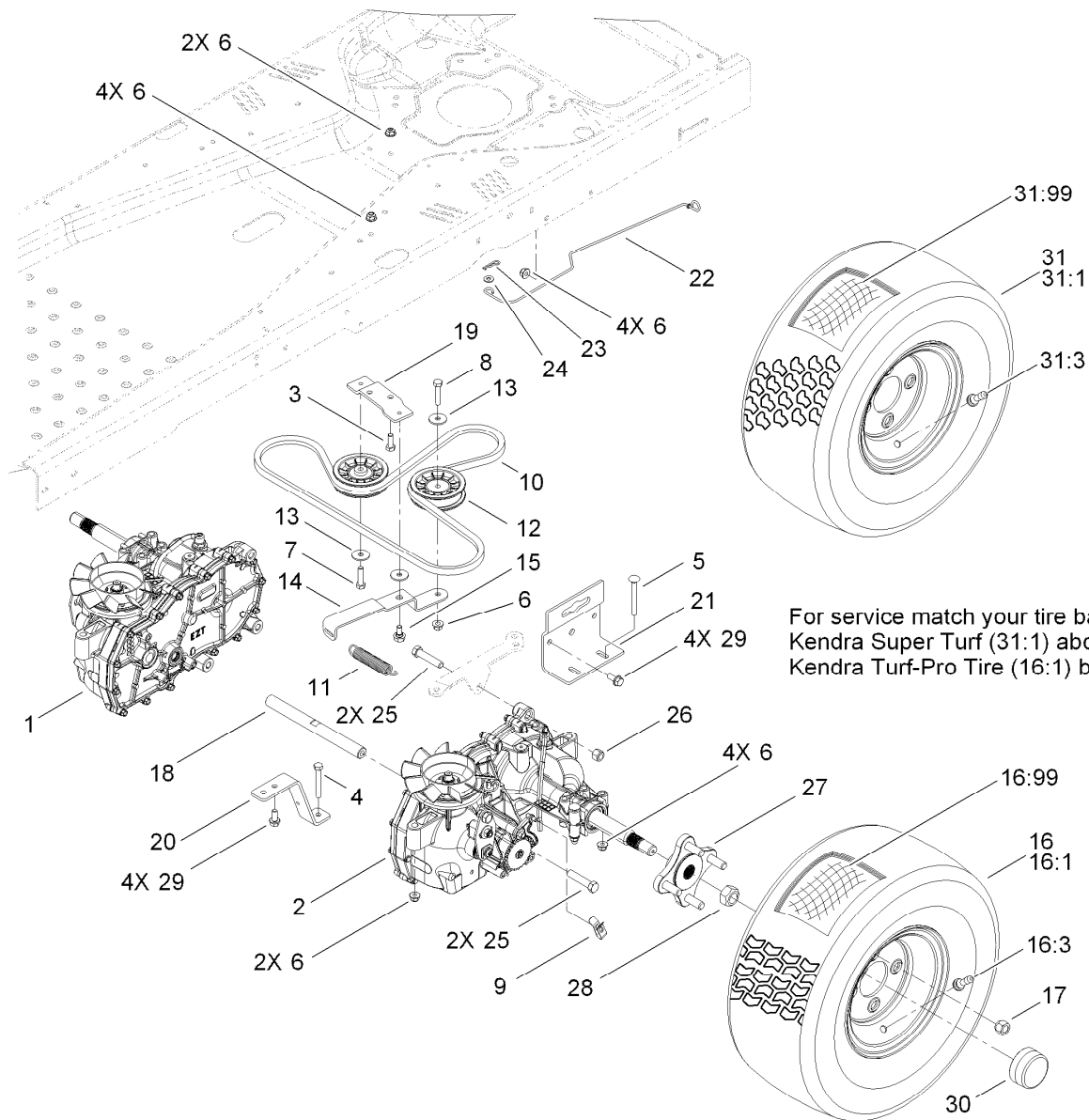


## Motion Control Assembly

Ref.	Part Number	Qty.	Description
1	117-5339	1	RH Control Handle ASM
1:1	108-6187	1	Grip
2	117-5338	1	LH Control Handle ASM ●
2:1	108-6187	1	Grip ●
3	3256-24	4	Washer-Flat
4	323-6	4	Screw-HH
5	112-4004	2	Screw-Shoulder
6	110-6828	2	Activator Arm ASM
6:2	105-3455	2	Bushing
7	110-6810	2	Stud-Damper
8	103-2913	2	Damper-Control, Motion
9	3296-42	6	Nut-Lock, NI
10	46-8560	2	Screw-HHF
11	3296-48	2	Nut-Lock, NI
12	3256-22	4	Washer-Flat
13	32128-23	2	Nut-HF
14	3256-5	2	Washer-Flat
15	110-6693	2	Link-Hydro
16	1-303105	2	Yoke-Adjustable
17	1-808280	2	Pin-Clevis
18	1-806003	2	Pin-Cotter, Hair
19	3220-2	2	Nut-Jam

Ref.	Part Number	Qty.	Description
20	110-6845	2	Gear-Control
21	110-6783-05	1	Arm-Actuator, LH
22	110-6782-05	1	Arm-Actuator, RH ●
23	115-5023	2	Tab-Stop
24	110-6873	2	Eccentric
25	110-6874	2	Screw-Eccentric
26	110-6875	2	Bolt-Shoulder
27	110-6858	2	Cable-Brake, Parking
28	110-6751	2	Bracket-Return
29	110-6750	2	Plate-Return
30	110-6752	2	Spring-Compression
31	110-6894	8	Washer-Pivot
32	115-5041-03	1	Seat Pivot/Control ASM
33	323-4	2	Screw-HH
34	110-0863	2	Screw-Torx
35	110-6784	2	Bolt-Shoulder
36	112-9750	1	Decal-Control Lever, LH
37	112-9751	1	Decal-Control Lever, RH
38	37-8771	2	Bolt-Shoulder
39	104-8300	2	Nut-Flange, NI
40	112-9771	2	Washer-Teflon
41	110-6786	2	Cover-Control

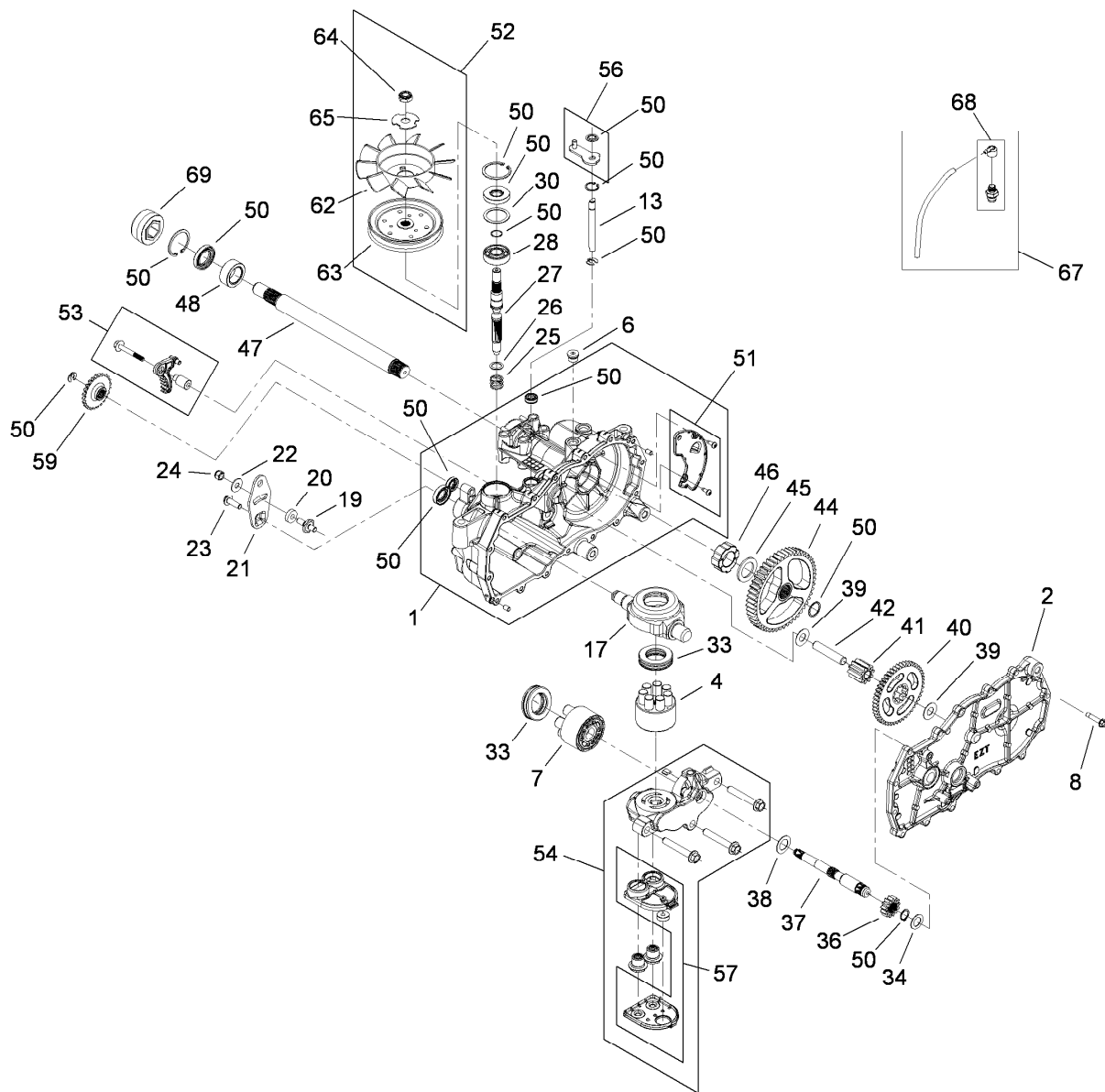
● Not illustrated



For service match your tire based on:  
Kendra Super Turf (31:1) above or  
Kendra Turf-Pro Tire (16:1) below.

## Hydro Traction Drive Assembly

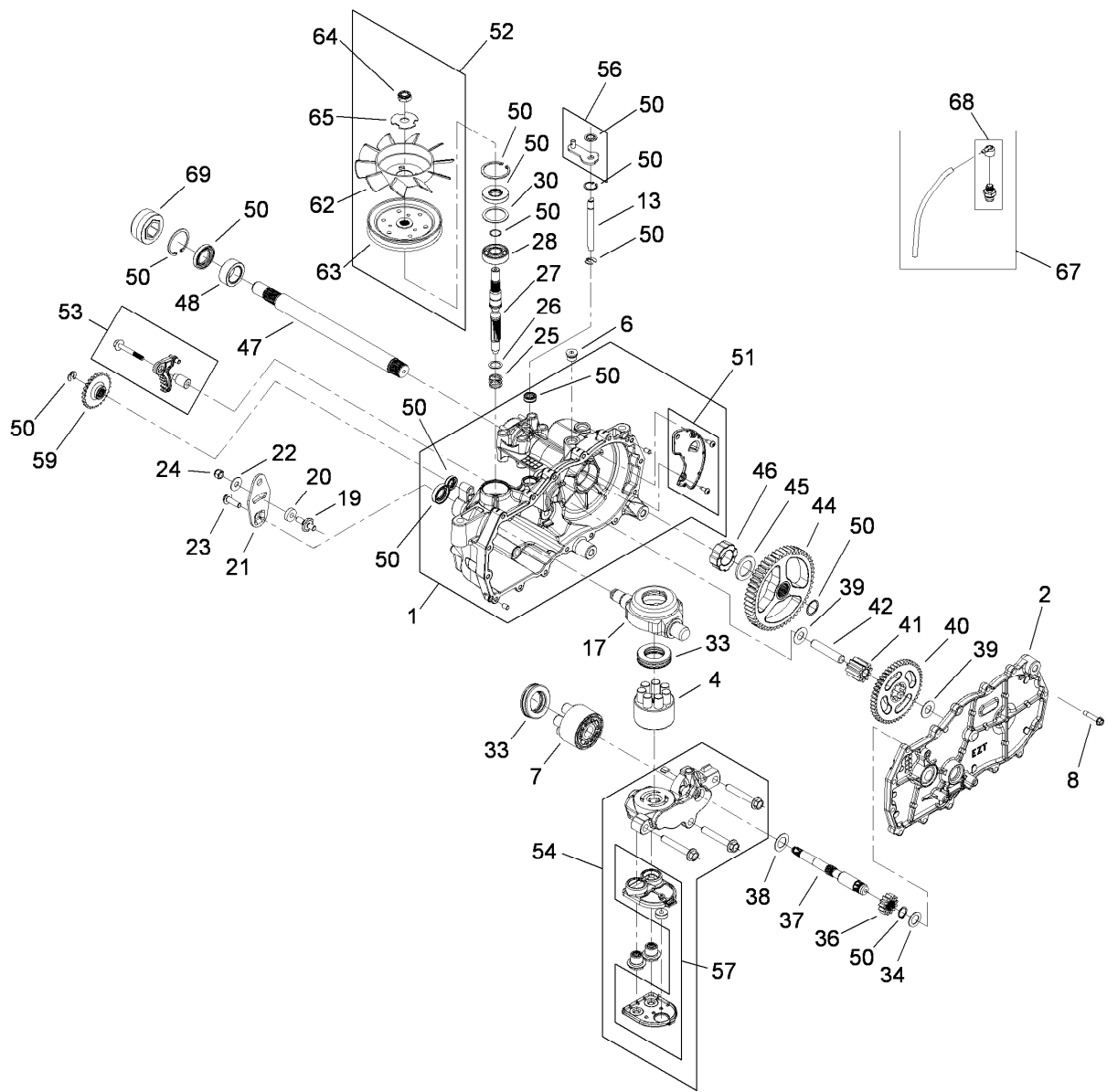
Ref.	Part Number	Qty.	Description	Ref.	Part Number	Qty.	Description
1	110-6771	1	Hydro-RH	17	242-50	8	Nut-Lug
2	110-6770	1	Hydro-LH	18	110-6807	1	Shaft-Cross
3	322-4	2	Screw-HH	19	110-1926	1	Plate-Pivot
4	322-11	2	Screw-HH	20	110-6806-03	2	Strap-Torque
5	3230-9	4	Screw-CARR	21	110-6878-03	2	Support-Hydro
6	104-8300	17	Nut-Flange, NI	22	110-6787	2	Rod-Bypass
7	322-6	1	Screw-HH	23	1-806003	2	Pin-Cotter, Hair
8	322-7	1	Screw-HH	24	3256-22	2	Washer-Flat
9	110-6677	2	Clip-Spring	25	324-8	4	Screw-HH
10	110-6774	1	V-Belt	26	3296-48	2	Nut-Lock, NI
11	63-1590	1	Spring-Idler	27	112-3979	2	Hub ASM
12	110-6775	2	Pulley-Idler	28	112-3982	2	Nut-Lock
13	5-4460	3	Washer-Pivot	29	3234-47	8	Screw-HHF
14	110-1925	1	Arm-Idler	30	115-5057	2	Cover-Nut, Axle
15	37-8771	1	Bolt-Shoulder	31	120-2249	2	Tire And Wheel ASM
16	110-6883	2	Wheel And Tire ASM	31:1	99-2996	1	Tire
16:1	110-6887	1	Tire	31:3	232-27	1	Stem-Valve
16:3	232-27	1	Stem-Valve	31:99	232-37	1	Tube
16:99	232-37	1	Tube				



## RH Hydro Assembly No. 110-6771

Ref.	Part Number	Qty.	Description	Ref.	Part Number	Qty.	Description
1	114-1630	1	RH Main Housing ASM	33	94-6922	2	Bearing-Thrust
2	114-1631	1	RH Side ASM	34	104-5339	1	Washer-Flat
4	110-8561	1	Pump Block ASM	36	104-5316	1	Gear-Pinnion, 13T
6	104-2189	1	Plug-Thread, Straight	37	114-1632	1	Shaft-Motor
7	103-2666	1	Cylinder Block Kit	38	104-5360	1	Washer-Shaft, Motor
8	104-5305	16	Screw-HHF	39	94-1933	2	Washer
13	106-8678	1	Rod-Bypass	40	104-5317	1	Gear
17	104-5304	1	Swashplate-Trunnion	41	104-5318	1	Gear-Jackshaft, 10T
19	104-2116	1	Stud	42	104-5329	1	Pin-Jackshaft
20	112-9853	1	Puck-Friction	44	112-9855	1	Gear-52T, Bull
21	106-8747	1	Arm-Control	45	112-9856	1	Washer
22	5-4460	1	Washer-Pivot	46	112-9857	1	Bearing-Sleeve
23	107-2488	1	Screw	47	112-9858	1	Shaft-Axle
24	105-1872	1	Nut	48	112-9859	1	Bushing-Axle
25	94-1936	1	Spring-Block	50	106-8686	1	Seal Kit
26	94-1937	1	Washer-Thrust, Block	51	106-8697	1	RH Expansion Plate Kit
27	104-5306	1	Shaft-Input	52	106-8698	1	Fan Pulley Kit
28	104-5311	1	Bearing-Ball	53	114-1633	1	Brake Arm Kit
30	104-5308	1	Spacer	54	112-9861	1	RH Center Section Filter Kit

● Not illustrated

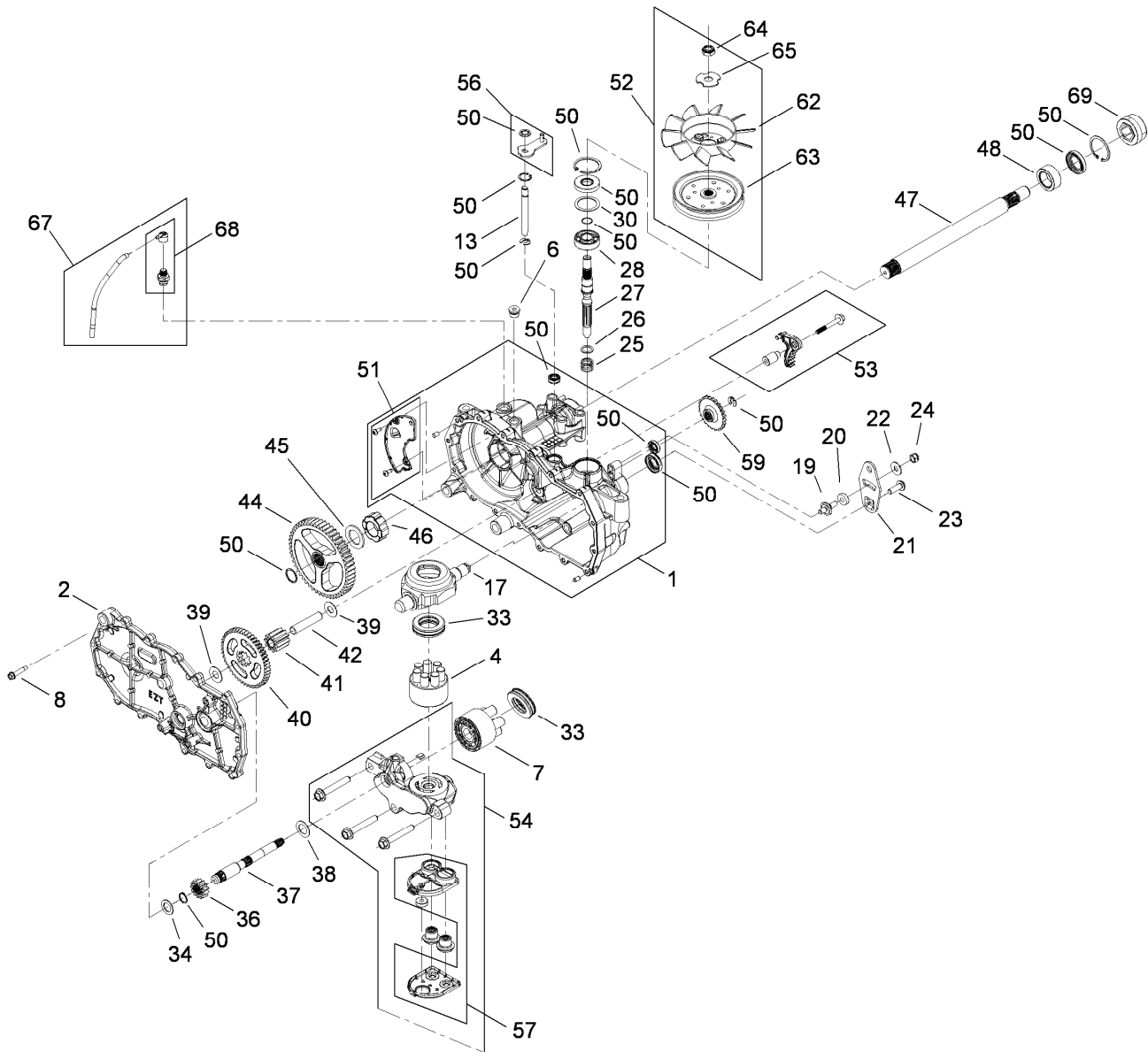


## RH Hydro Assembly No. 110-6771 (continued)

<i>Ref.</i>	<i>Part Number</i>	<i>Qty.</i>	<i>Description</i>
55	104-2147	1	Sealant ●
56	107-2489	1	Bypass Arm Kit
57	114-1634	1	Filter Kit
59	106-8694	1	Disc-Brake, Cog
62	110-8566	1	Fan-6 Inch, 10 Blade
63	104-1754	1	Pulley

<i>Ref.</i>	<i>Part Number</i>	<i>Qty.</i>	<i>Description</i>
64	105-1875	1	Nut-Lock
65	107-9122	1	Washer-Slotted
67	112-9866	1	Breather Kit
68	114-1635	1	Breather ASM
69	115-5057	1	Cover-Nut, Axle

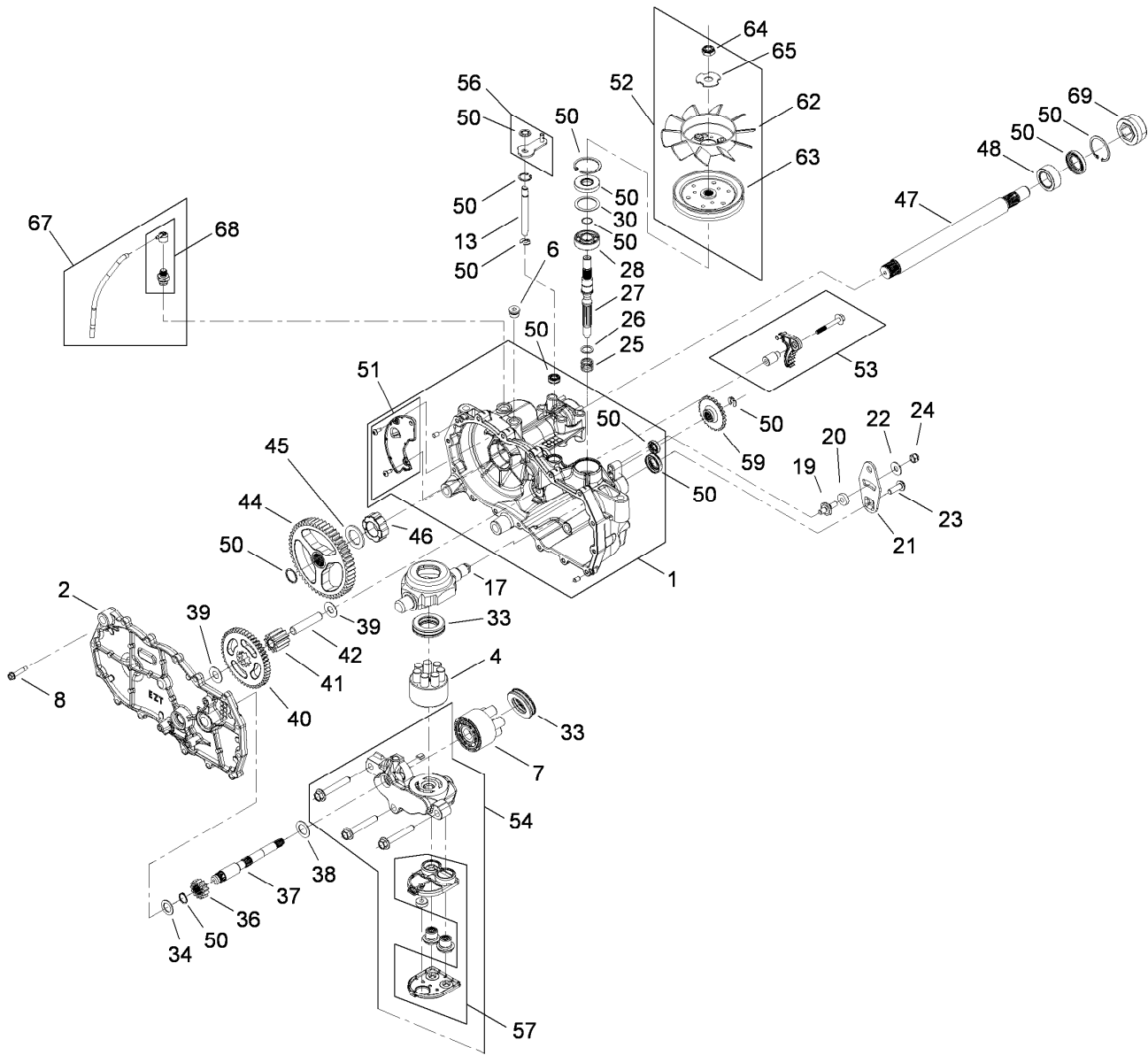
● Not illustrated



## LH Hydro Assembly No. 110-6770

Ref.	Part Number	Qty.	Description	Ref.	Part Number	Qty.	Description
1	114-1636	1	LH Main Housing ASM	33	94-6922	2	Bearing-Thrust
2	114-1637	1	LH Side ASM	34	104-5339	1	Washer-Flat
4	110-8561	1	Pump Block ASM	36	104-5316	1	Gear-Pinnion, 13T
6	104-2189	1	Plug-Thread, Straight	37	114-1632	1	Shaft-Motor
7	103-2666	1	Cylinder Block Kit	38	104-5360	1	Washer-Shaft, Motor
8	104-5305	16	Screw-HHF	39	94-1933	2	Washer
13	106-8678	1	Rod-Bypass	40	104-5317	1	Gear
17	104-5304	1	Swashplate-Trunnion	41	104-5318	1	Gear-Jackshaft, 10T
19	104-2116	1	Stud	42	104-5329	1	Pin-Jackshaft
20	112-9853	1	Puck-Friction	44	112-9855	1	Gear-52T, Bull
21	106-8747	1	Arm-Control	45	112-9856	1	Washer
22	5-4460	1	Washer-Pivot	46	112-9857	1	Bearing-Sleeve
23	107-2488	1	Screw	47	112-9858	1	Shaft-Axle
24	105-1872	1	Nut	48	112-9859	1	Bushing-Axle
25	94-1936	1	Spring-Block	50	106-8686	1	Seal Kit
26	94-1937	1	Washer-Thrust, Block	51	106-8687	1	LH Expansion Plate Kit
27	104-5306	1	Shaft-Input	52	106-8698	1	Fan Pulley Kit
28	104-5311	1	Bearing-Ball	53	114-1633	1	Brake Arm Kit
30	104-5308	1	Spacer	54	112-9862	1	LH Center Section Filter Kit

● Not illustrated

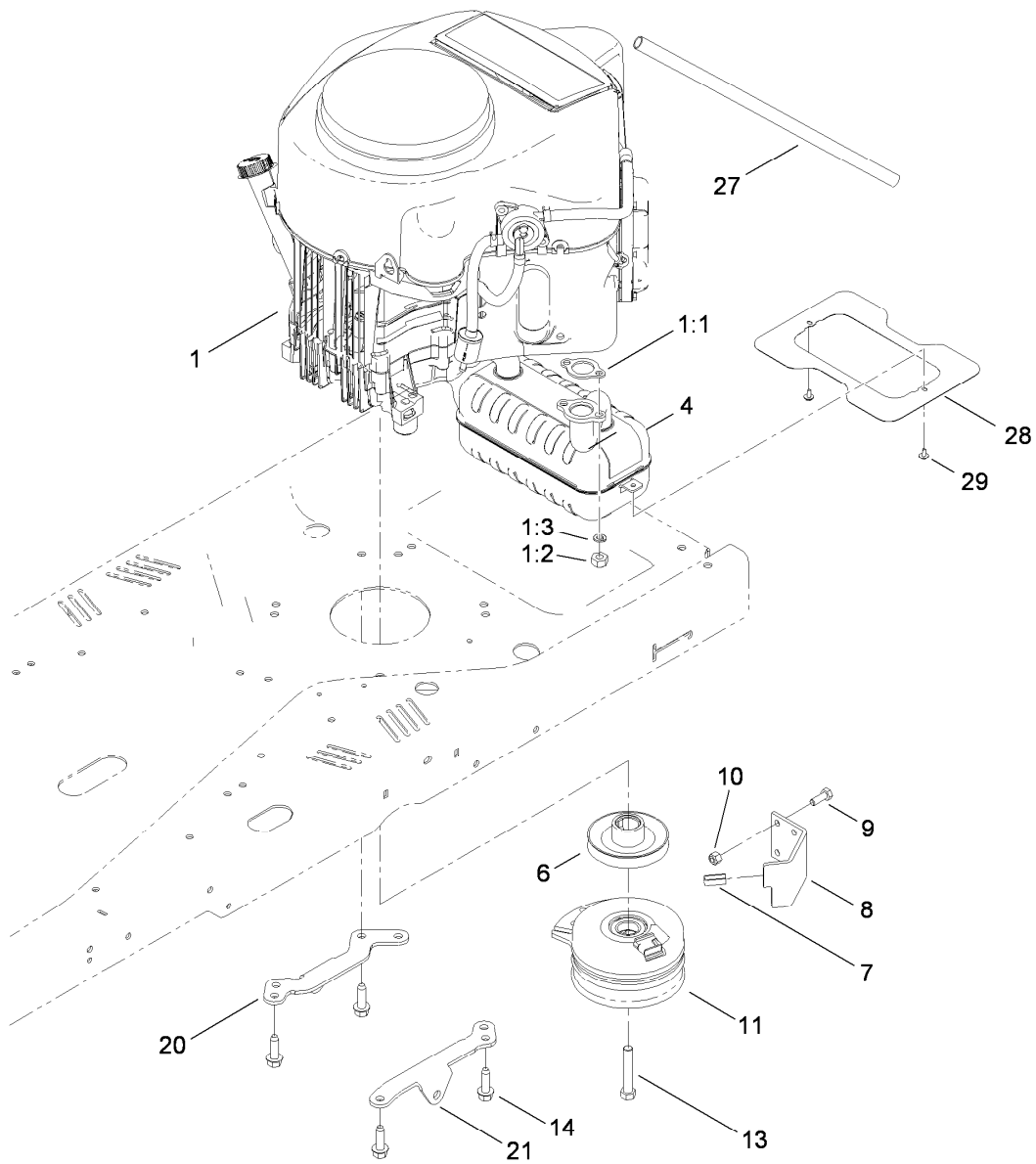


## LH Hydro Assembly No. 110-6770 (continued)

Ref.	Part Number	Qty.	Description
55	104-2147	1	Sealant ●
56	107-2489	1	Bypass Arm Kit
57	114-1634	1	Filter Kit
59	106-8694	1	Disc-Brake, Cog
62	110-8566	1	Fan-6 Inch, 10 Blade
63	104-1754	1	Pulley

Ref.	Part Number	Qty.	Description
64	105-1875	1	Nut-Lock
65	107-9122	1	Washer-Slotted
67	112-9866	1	Breather Kit
68	114-1635	1	Breather ASM
69	115-5057	1	Cover-Nut, Axle

● Not illustrated



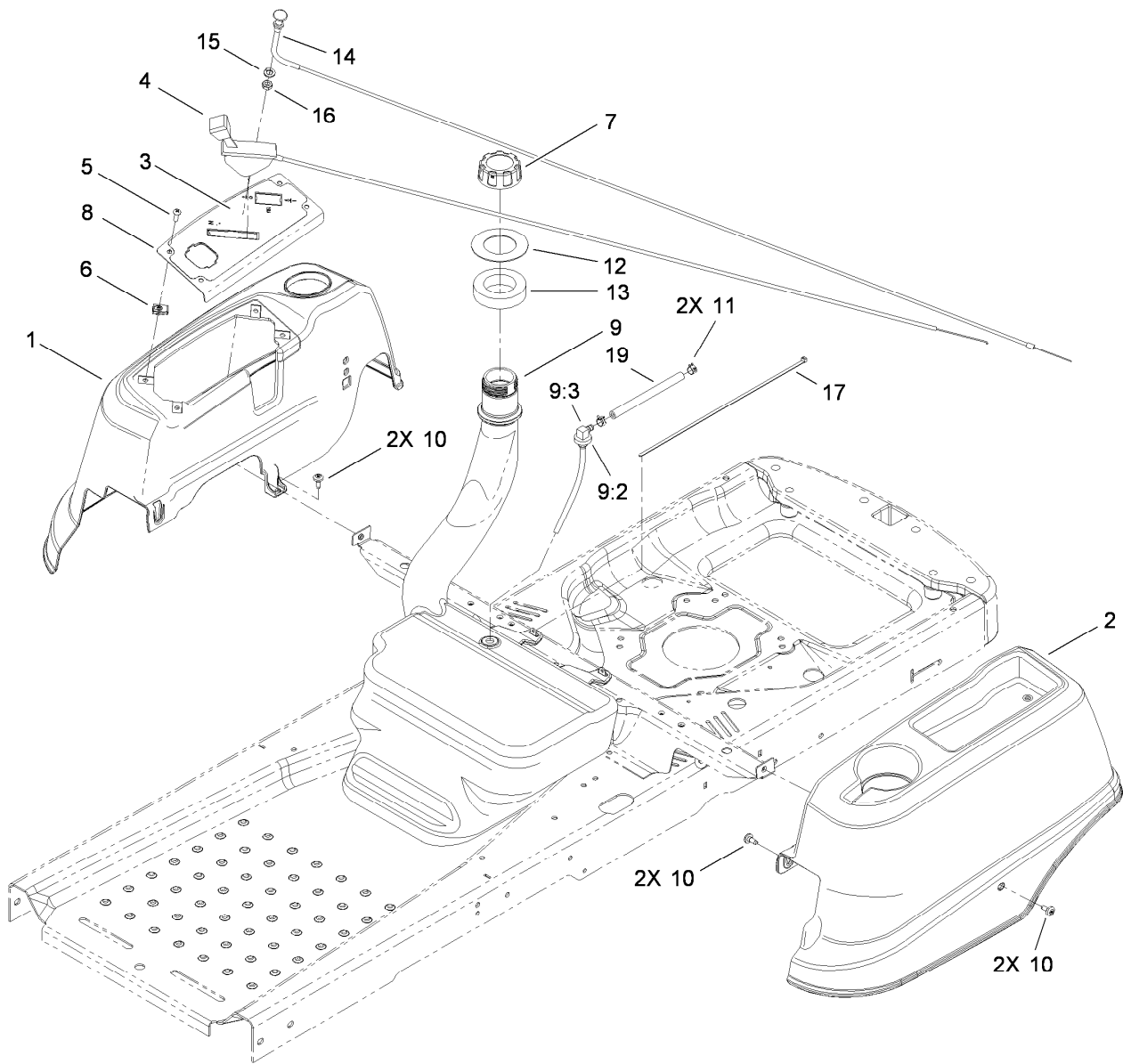
## Engine and Clutch Assembly

Ref.	Part Number	Qty.	Description
1		1	Engine-Kawasaki, Fr691V-As07-R ●■
1:1	112-9820	2	Gasket-Exhaust
1:2	112-9834	4	Nut
1:3	112-9835	4	Washer-Lock
4	117-7256	1	Muffler-Kawasaki
6	114-1622	1	Pulley-Engine
7	112-4033	1	Bumper-Pad
8	110-6896	1	Stop-Clutch
9	322-4	2	Screw-HH

Ref.	Part Number	Qty.	Description
10	3296-29	2	Nut-Lock, NI
11	110-6766	1	Clutch-Electric, PTO
13	3212-11	1	Screw-HH
14	323-50	4	Bolt-TAP
20	110-6798	1	Support-Hydro, RH
21	110-6799	1	Support-Hydro, LH
27	106-7022	1	Tube-Drain, Oil
28	114-8544-03	1	Shield-Heat
29	46-8560	2	Screw-HHF

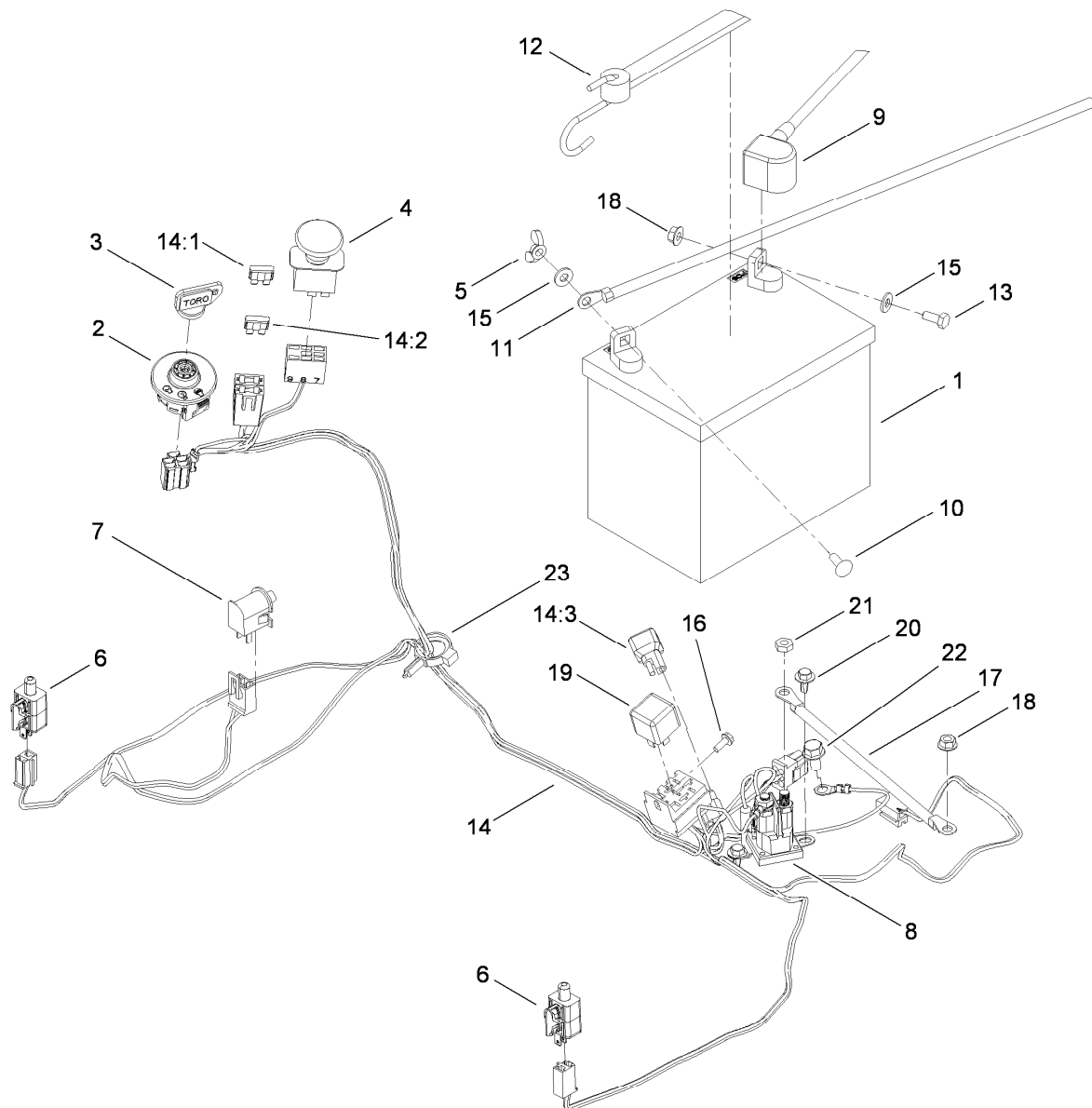
● Not serviced separately

■ Obtain parts from [www.kawpowerepc.com](http://www.kawpowerepc.com)



## Fuel Delivery and Body Styling Assembly

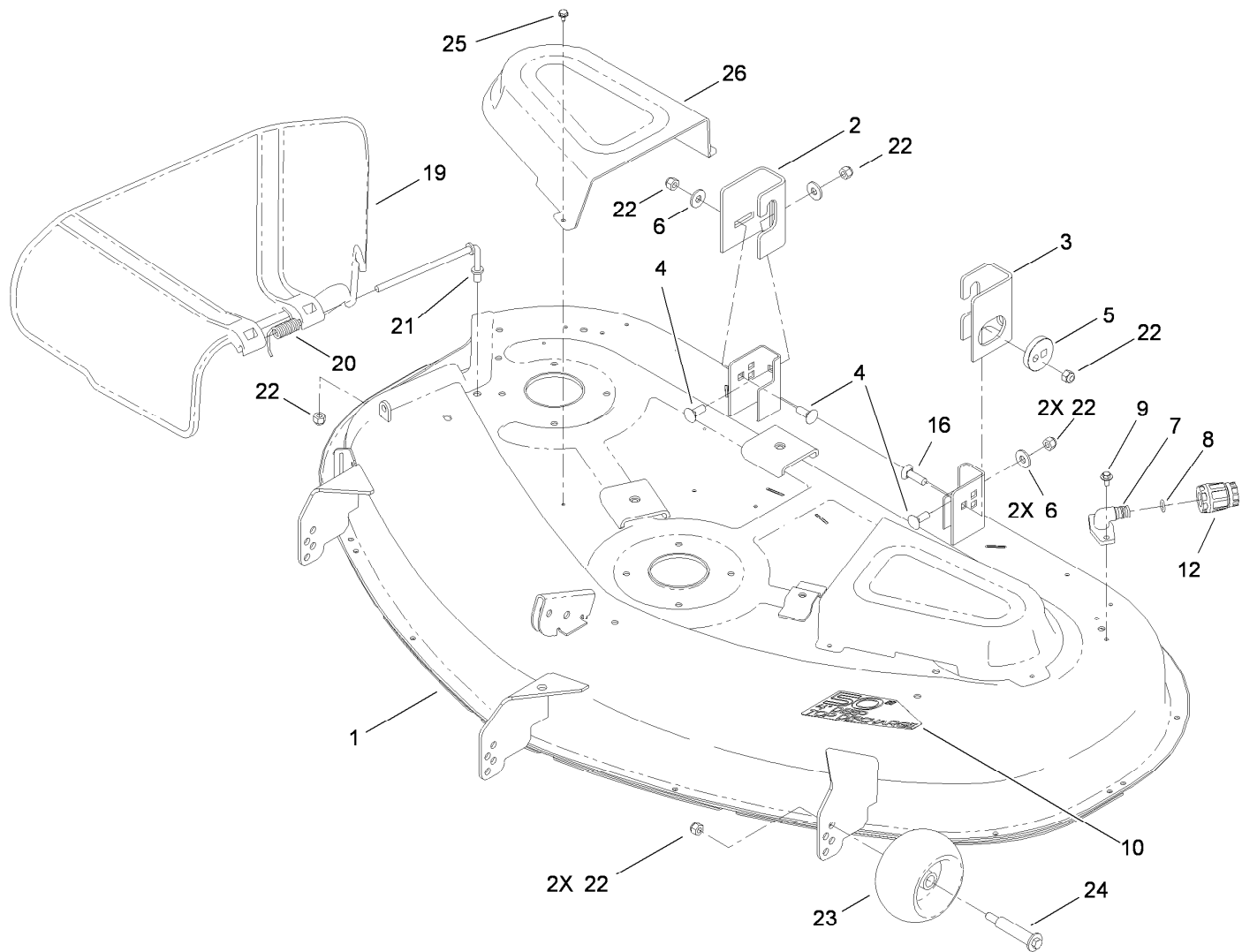
<i>Ref.</i>	<i>Part Number</i>	<i>Qty.</i>	<i>Description</i>	<i>Ref.</i>	<i>Part Number</i>	<i>Qty.</i>	<i>Description</i>
1	117-1219	1	Pod-RH	9:3	95-3970	1	Fitting-90 Degree
2	117-1220	1	Pod-LH	10	112-4004	6	Screw-Shoulder
3	115-2501	1	Decal-Panel, Control	11	2412-98	2	Clamp
4	112-9752	1	Cable-Throttle	12	112-9760	1	Washer-Rubber
5	3258-166	4	Screw-PRH	13	55-9310	1	Seal-Foam
6	107069	4	Clip	14	112-9753	1	Cable-Choke
7	93-7198	1	Gas Cap ASM	15	3253-21	1	Washer-Lock
8	110-1927-03	1	Panel-Control	16	3220-3	1	Nut-HJ
9	110-6890	1	Fuel Tank ASM	17	100-9064	1	Tie-Cable
9:2	46-6560	1	Bushing	19	107-0589	1	Hose-Fuel



## Electrical Assembly

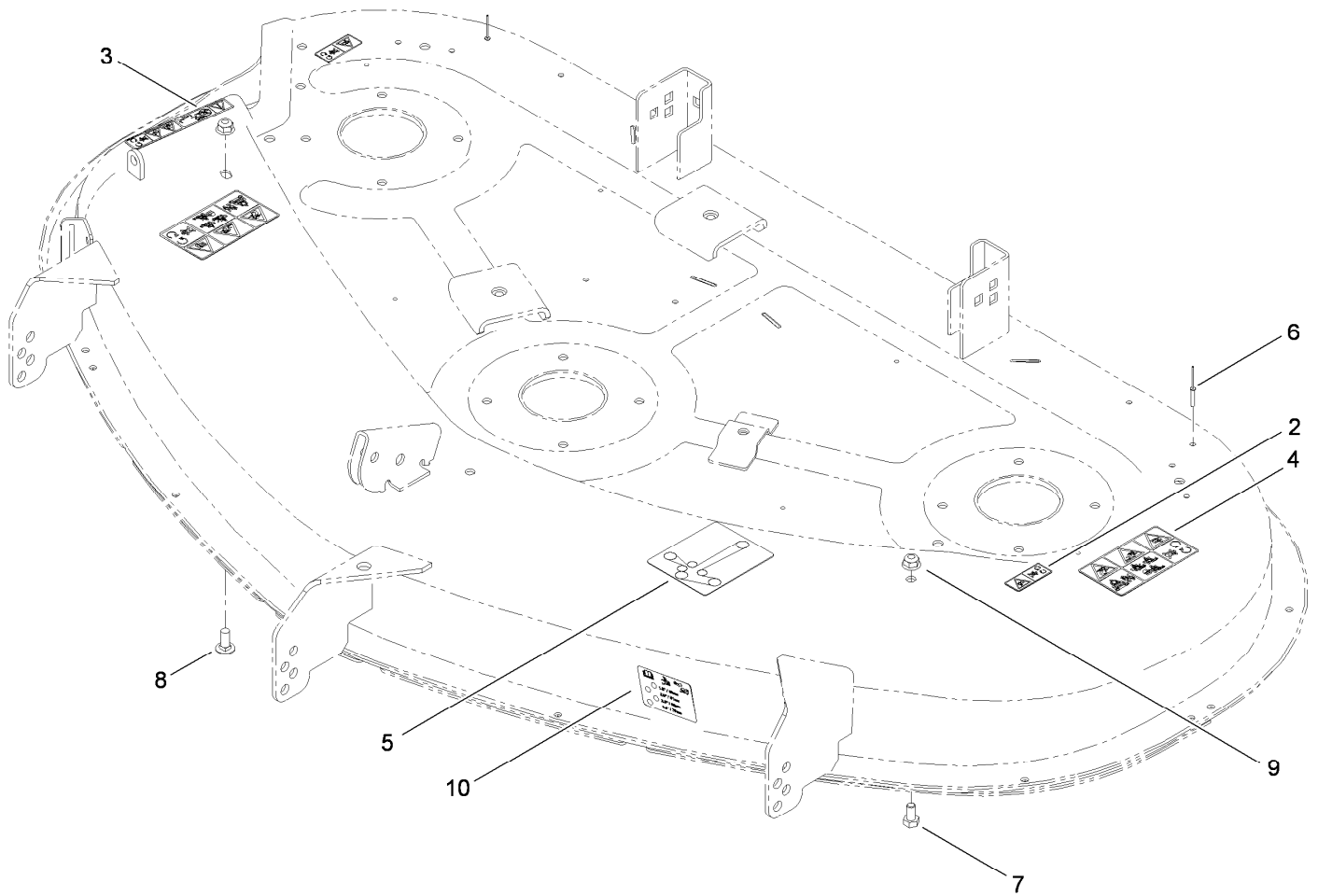
<i>Ref.</i>	<i>Part Number</i>	<i>Qty.</i>	<i>Description</i>
1	104-2493	1	Battery
2	117-2222	1	Switch-Ignition
3	63-8360	1	Key-Ignition
4	93-9998	1	Switch-PTO
5	32103-22	1	Nut-Wing
6	110-6765	2	Switch-Single Pole No
7	82-2190	1	Switch-Bail
8	117-1197	1	Solenoid
9	110-6794	1	Cable-Battery, Red
10	3229-1	1	Screw-CARR
11	110-6793	1	Cable-Battery, Black
12	104-2466	1	Holddown-Battery
13	321-3	1	Screw-HH

<i>Ref.</i>	<i>Part Number</i>	<i>Qty.</i>	<i>Description</i>
14	117-7384	1	Harness-Wire
14:1	109103	1	Fuse-30 Amp
14:2	109102	1	Fuse-25 Amp
14:3	100-4918	1	Diode
15	3256-22	2	Washer-Flat
16	32144-1	1	Screw-Taptite
17	110-6792	1	Cable-Battery, Red
18	32128-33	2	Nut-HF
19	98-7249	1	Relay
20	46-8560	2	Screw-HHF
21	3220-2	2	Nut-Jam
22	33104-016	1	Screw-HHF
23	105-1853	1	Clamp-Hose



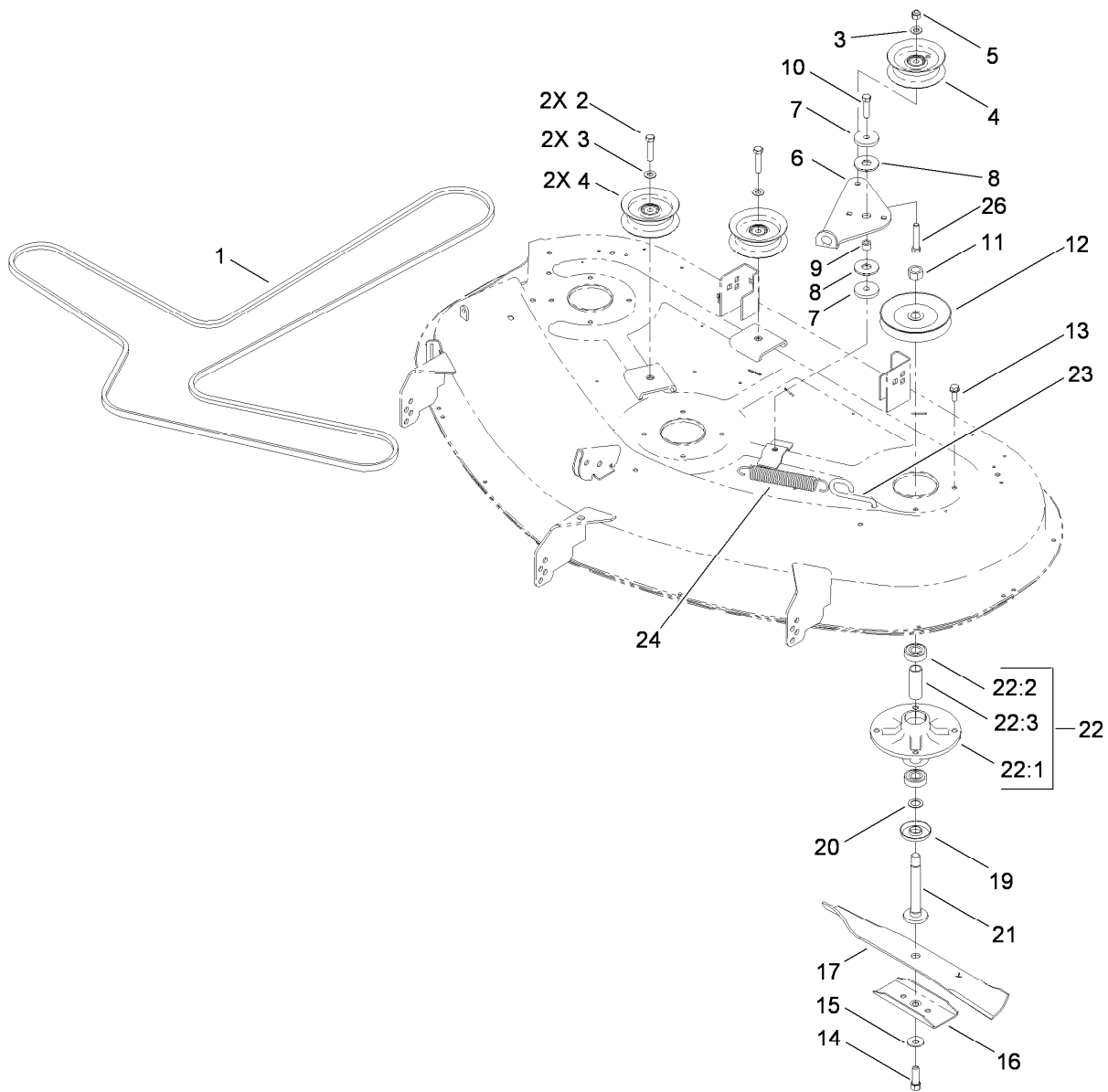
## 50 Inch Deck Assembly

Ref.	Part Number	Qty.	Description	Ref.	Part Number	Qty.	Description
1	117-1291	1	50 Inch Deck ASM	12	95-3270	1	Connector-Hose
2	108-7836	1	Bracket-Hanger, Right Rear	16	3231-28	1	Screw-CARR
3	108-7838	1	Bracket-Hanger, Left Rear	19	108-7895	1	Deflector-50 Inch
4	3231-2	3	Screw-CARR	20	110-6694	1	Spring-Torsion
5	112-3980	1	Eccentric	21	112-3950	1	Rod-Pivot
6	80-6990	3	Washer-Hardened	22	3296-39	8	Nut-Lock, NI
7	95-2747	2	Fitting-Washout	23	1-603299	3	Roller-Scalp, Anti
8	46-6290	2	O-Ring, Seal	24	112-3977	3	Bolt-Shoulder
9	46-8560	4	Screw-HHF	25	32104-76	6	Screw
10	117-1223	1	Decal-50"	26	108-7890	2	Cover-Belt



## 50 Inch Deck Decal Assembly No. 117-1291

<i>Ref.</i>	<i>Part Number</i>	<i>Qty.</i>	<i>Description</i>
2	114-1606	2	Decal-Danger, Pulley
3	93-7009	1	Decal-Danger, Deflector
4	110-6691	2	Decal-Danger
5	99-3943	1	Decal-Routing, Belt
6	3290-282	2	Rivet-Blind
7	322-2	1	Screw-HH
8	3230-23	1	Screw-CARR
9	104-8300	2	Nut-Flange, NI
10	112-9840	1	Decal-Scalp, Anti



## 50 Inch Deck Spindle and Blade Assembly

Ref.	Part Number	Qty.	Description	Ref.	Part Number	Qty.	Description
1	110-6892	1	V-Belt	15	3290-465	3	Washer-Belleville
2	323-9	2	Screw-HH	16	106-2248-03	3	Stiffener-Blade
3	3256-24	3	Washer-Flat	17	110-6837-03	3	Blade-17.5 Inch, High Lift
4	106-2175	3	Pulley-Idler, Flat	19	80-4360	3	Shield-Bearing
5	3296-39	1	Nut-Lock, NI	20	80-4380	3	Spacer
6	114-8540	1	Arm-Idler	21	117-1192	3	Shaft-Spindle
7	110-9981	2	Washer-Plain	22		3	Spindle ASM ●
8	114-0463	2	Washer-Friction, Composite	22:1	88-4510	1	Housing-Spindle
9	115-4986	1	Spacer	22:2	100-1048	2	Bearing-Ball
10	323-8	1	Screw-HH	22:3	62-3661	1	Spacer
11	3219-6	3	Nut-Hex	23	112-3973	1	Hook-Return, Spring
12	110-6865	3	Pulley	24	1-603414	1	Spring-Extension
13	32144-41	12	Screw-Taptite	26	323-10	1	Screw-HH
14	26-0671	3	Screw-HH				

● Not serviced separately

# Attachments and Accessories

## For 74376 TimeCutter Z5035 Riding Mower

<b>Product Name</b>	<b>Model/Part</b>
Hour Meter Kit.....	112-9763
Deck Ring Kit.....	114-1608
Striping Kit.....	114-8545
Replacement Blade Kit (3 Blades).....	79221
50 inch Recycler Kit.....	79312
Foot Assist Cutting Unit Lift Kit.....	79313
Floor Mat Kit.....	79315
Storage Cover.....	79317
Rear Hitch Kit.....	79318
Sunshade.....	79319
42 inch and 50 inch Twin Bagger.....	79324
10 cu. ft. Poly Dump Cart.....	79991

**Notes:**

**Notes:**

**Notes:**



**Count on it.**