



Count on it.

Parts Catalog

TimeCutter® Z5035 Riding Mower

Model No. 74398—Serial No. 31000001 and Up

Ordering Replacement Parts

To order replacement parts, please supply the part number, the quantity, and the description of each part desired.

Understanding Reference Numbers

Each identified part in an illustration has a reference number. The reference number for a part also appears in the parts list, along with other information about the part.

This catalog uses two special reference number formats, one to indicate parts in a service assembly and another to indicate the quantity of a given part in an illustration.

Service Assembly Reference Numbers

Parts in service assemblies have reference numbers in the form a:b. The a represents the reference number of the entire service assembly and the b represents a sequential number unique to each part within the service assembly.

For example, a wheel assembly might be identified by reference number 6, the tire by 6:1, the valve by 6:2, and the wheel by 6:3. When you order the assembly identified by reference number 6, you receive all parts identified by reference numbers 6:1, 6:2, and 6:3. However, you may also order any part individually. Reference numbers of this type appear in illustration and in parts lists.

Reference Numbers Indicating Quantity

In an illustration, if a reference number indicates more than one part, the reference number has the form nX y. The n represents the quantity of the part, the X is the multiplication symbol, and the y represents the reference number.

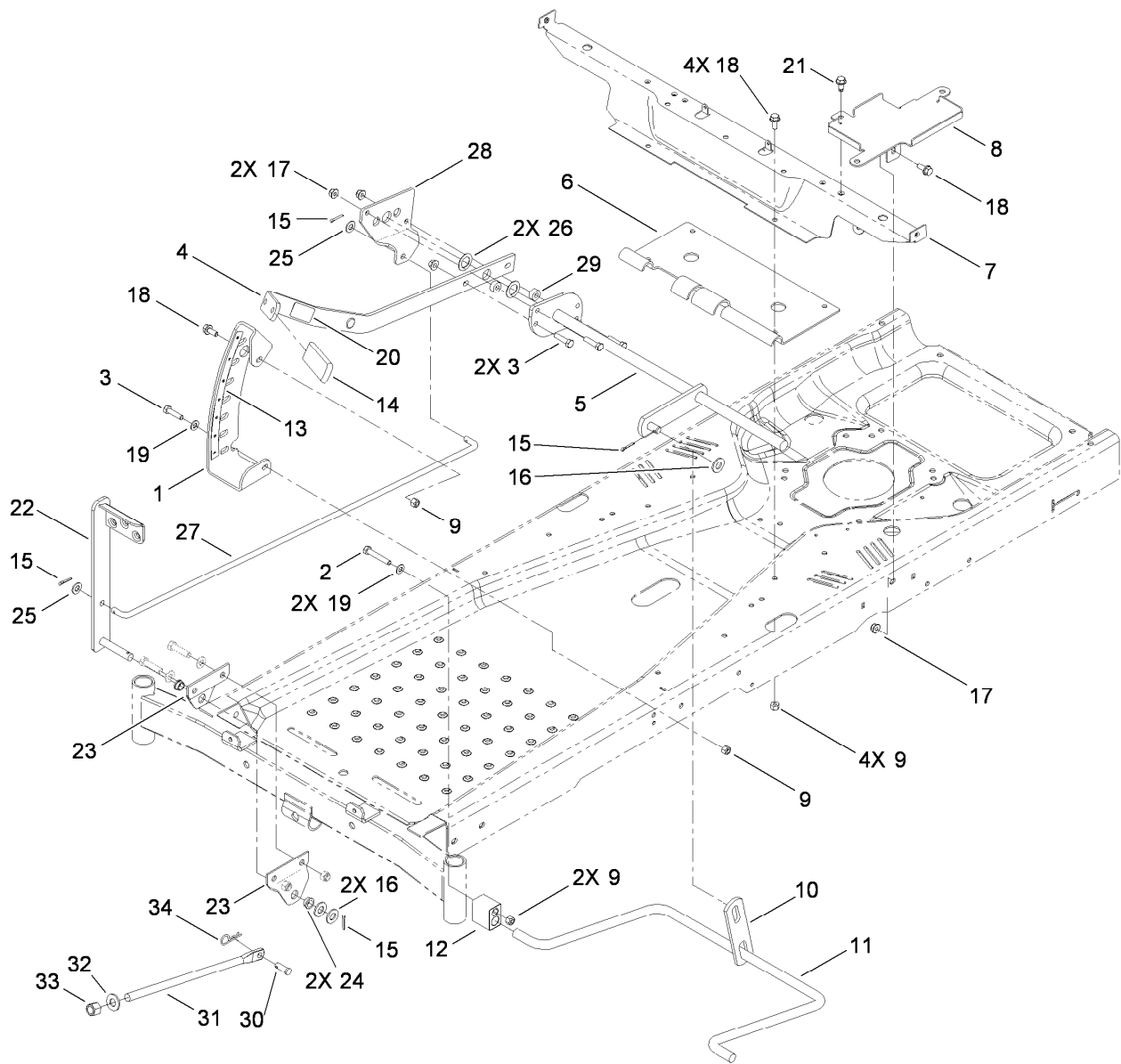
For example, in an illustration, the reference number 2X 37 means that two of the parts identified by reference number 37 are indicated.

List of Abbreviations

AR: as required	HSBH: hex socket button head	SFH: slotted fillister head
ASM: assembly	HSFH: hex socket flat head	SHH: slotted hex head
BBC: blade brake control	HSH: hex socket head	SHWH: slotted hex washer head
BHTF: button head thread forming	HWH: hex washer head	SPH: slotted pan head
CARR: carriage	HWHTF: hex washer head thread forming	SQH: square head
CCW: counter clockwise	HYD: hydraulic	SRH: slotted round head
CW: clockwise	LH: left hand	STD: standard
DEG: degrees	LP: Liquid Propane	TAP: self tapping
ECM: electronic control module	NI: nylon insert	TTH: torx truss head
EXT: external	NPTF: national pipe thread fine	
FH: flat head	PFH: phillips flat head	
GA: gauge	PPH: phillips pan head	
HD: heavy-duty	PPHTF: phillips pan head thread forming	
HF: hex flange	PRH: phillips round head	
HH: hex head	PTH: phillips truss head	
HHF: hex head flange	PTO: power-take-off	
HHFTF: hex head flange thread forming	RH: right hand	
HJ: hex jam	ROPS: roll-over protection system	
HLH: hex lag head	RRB: rear roller brush	
HOC: height-of-cut		

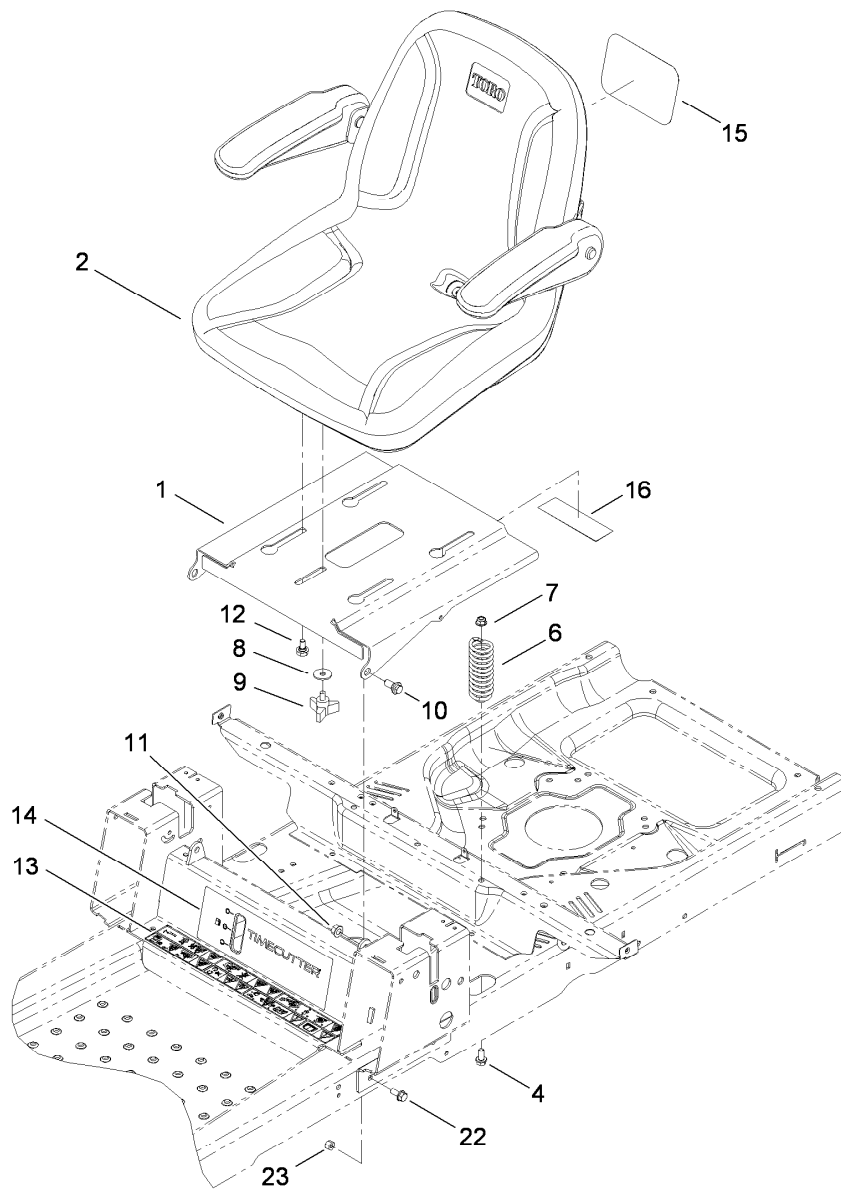
Contents

Frame and Caster Wheel Assembly	4
Deck Lift Assembly	5
Seat Assembly	6
Seat and Armrest Kit Assembly No. 117-1227	7
Motion Control Assembly	8
Hydro Traction Drive Assembly	9
RH Hydro Assembly No. 110-6771	10
LH Hydro Assembly No. 110-6770	12
Engine and Clutch Assembly	14
Fuel Delivery and Body Styling Assembly	15
Electrical Assembly	16
50 Inch Deck Assembly	17
50 Inch Deck Decal Assembly No. 117-1291	18
50 Inch Deck Baffle Assembly	19
50 Inch Deck Spindle, Belt and Blade Assembly	20
Attachments and Accessories	21



Deck Lift Assembly

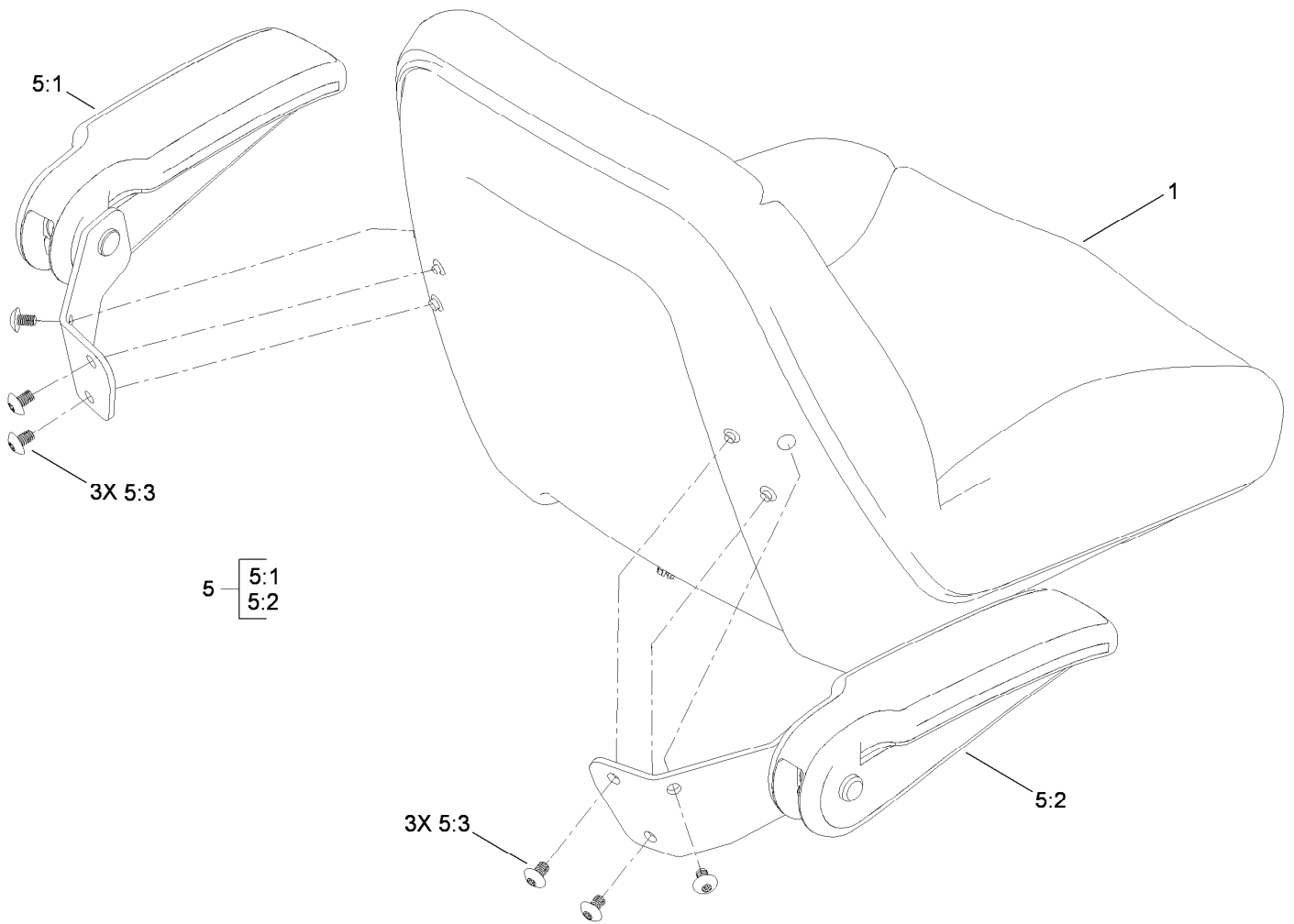
Ref.	Part Number	Qty.	Description	Ref.	Part Number	Qty.	Description
1	112-4027-03	1	Sector-HOC	18	3234-47	6	Screw-HHF
2	322-10	2	Screw-HH	19	3256-23	3	Washer-Flat
3	322-6	3	Screw-HH	20	106-8743	1	Decal-HOC
4	112-3960-03	1	Lift Arm ASM	21	32104-32	1	Screw-HWH
5	108-7841-03	1	Lift Lever ASM	22	112-4018-03	1	Pedal ASM
6	110-6800-03	1	Plate-Lift	23	112-3954-03	2	Bracket-Footlift
7	110-6805-03	1	Bracket-Seat/Pods	24	256-156	2	Bushing-Flange
8	110-1937-03	1	Tray-Battery	25	3256-24	2	Washer-Flat
9	3296-29	8	Nut-Lock, NI	26	3-6498	2	Washer-Thrust
10	108-7840	1	Link-Lift	27	112-3958	1	Rod-Lift
11	108-7839	1	Arm-Lift, Rear	28	112-3959	1	Plate-Footlift
12	108-7845	2	Block-Pivot	29	112-3961	2	Spacer
13	110-6824	1	Decal-HOC	30	1-808284	1	Pin-Clevis
14	105-3450	1	Grip-Lever, Lift	31	108-7847	1	Rod-Lift
15	3272-10	4	Pin-Cotter	32	87-7270	1	Washer-Thrust
16	3256-26	3	Washer-Flat	33	3296-23	1	Nut-Lock, NI
17	104-8300	3	Nut-Flange, NI	34	9335054	1	Pin-Hair



Seat Assembly

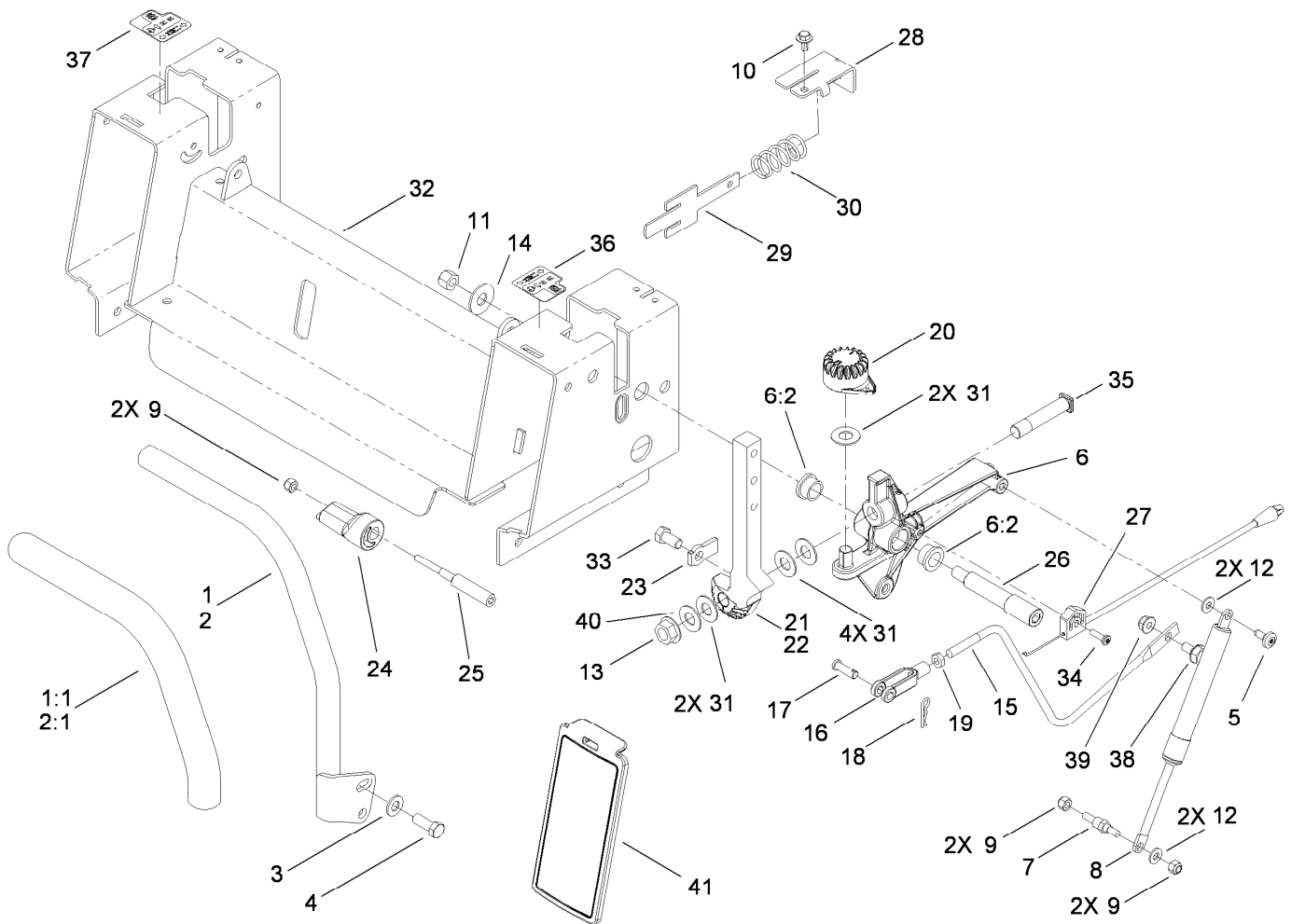
Ref.	Part Number	Qty.	Description
1	115-2465-03	1	Base-Seat
2	117-1227	1	18 Inch Seat ASM W/ Armrests
4	3234-47	2	Screw-HHF
6	92-7054	2	Spring-Compression
7	104-8300	2	Nut-Flange, NI
8	5-4460	1	Washer-Pivot
9	92-9674	1	Knob
10	94-7582	2	Bolt-Shoulder

Ref.	Part Number	Qty.	Description
11	32128-21	2	Nut-HF
12	37-8771	4	Bolt-Shoulder
13	115-2469	1	Decal-Danger
14	117-7222	1	Decal-Timecutter
15	99-4693	1	Decal
16	106-8717	1	Decal-Service
22	3234-7	7	Screw-HHF
23	3296-29	7	Nut-Lock, NI



Seat and Armrest Kit Assembly No. 117-1227

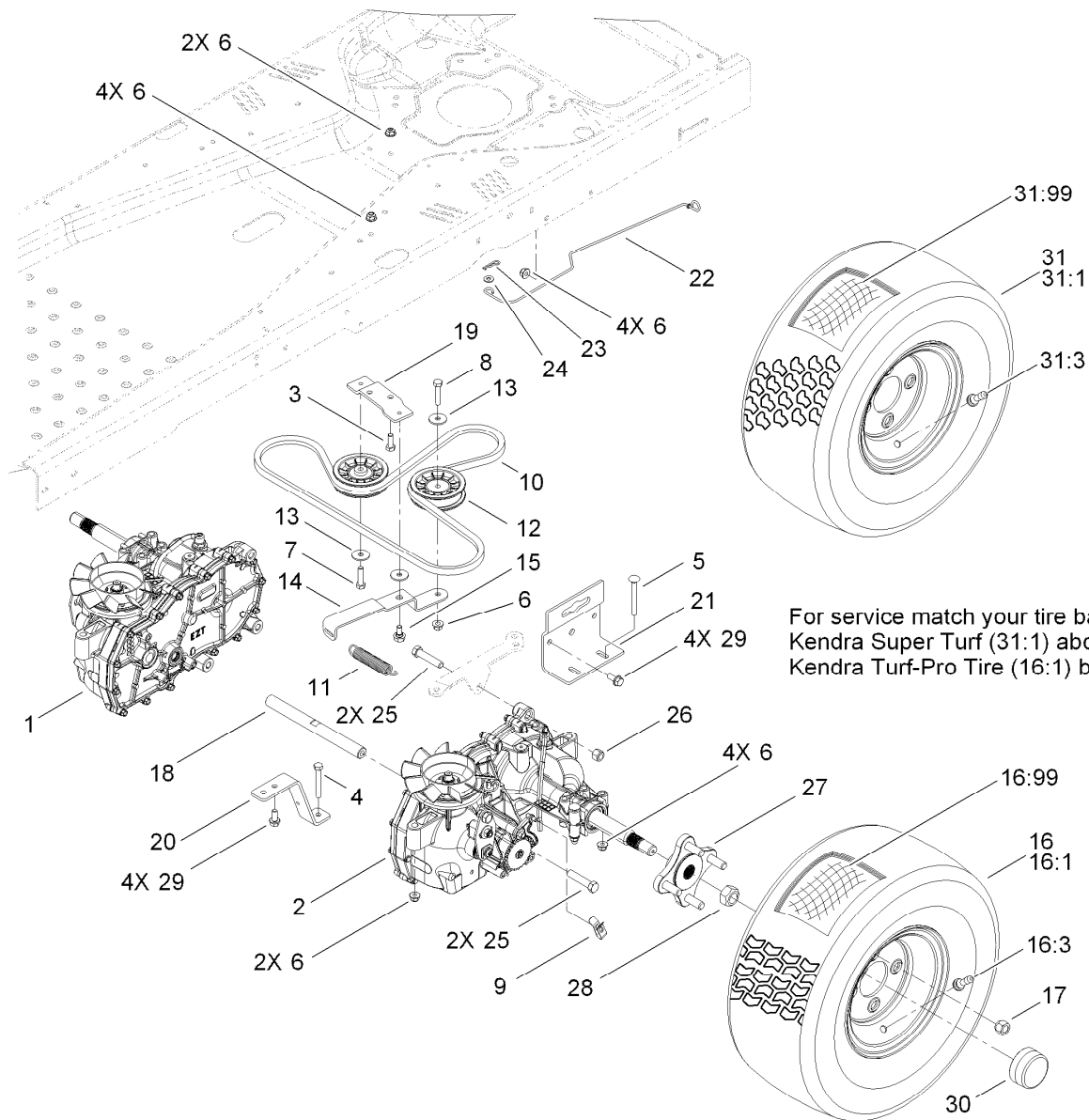
<i>Ref.</i>	<i>Part Number</i>	<i>Qty.</i>	<i>Description</i>
1	117-1226	1	Seat-18 Inch
5	108-6163	1	Armrest Kit
5:1	110-6569	1	LH Armrest Kit
5:2	110-6570	1	RH Armrest Kit
5:3	108-6179	6	Screw-HSBH



Motion Control Assembly

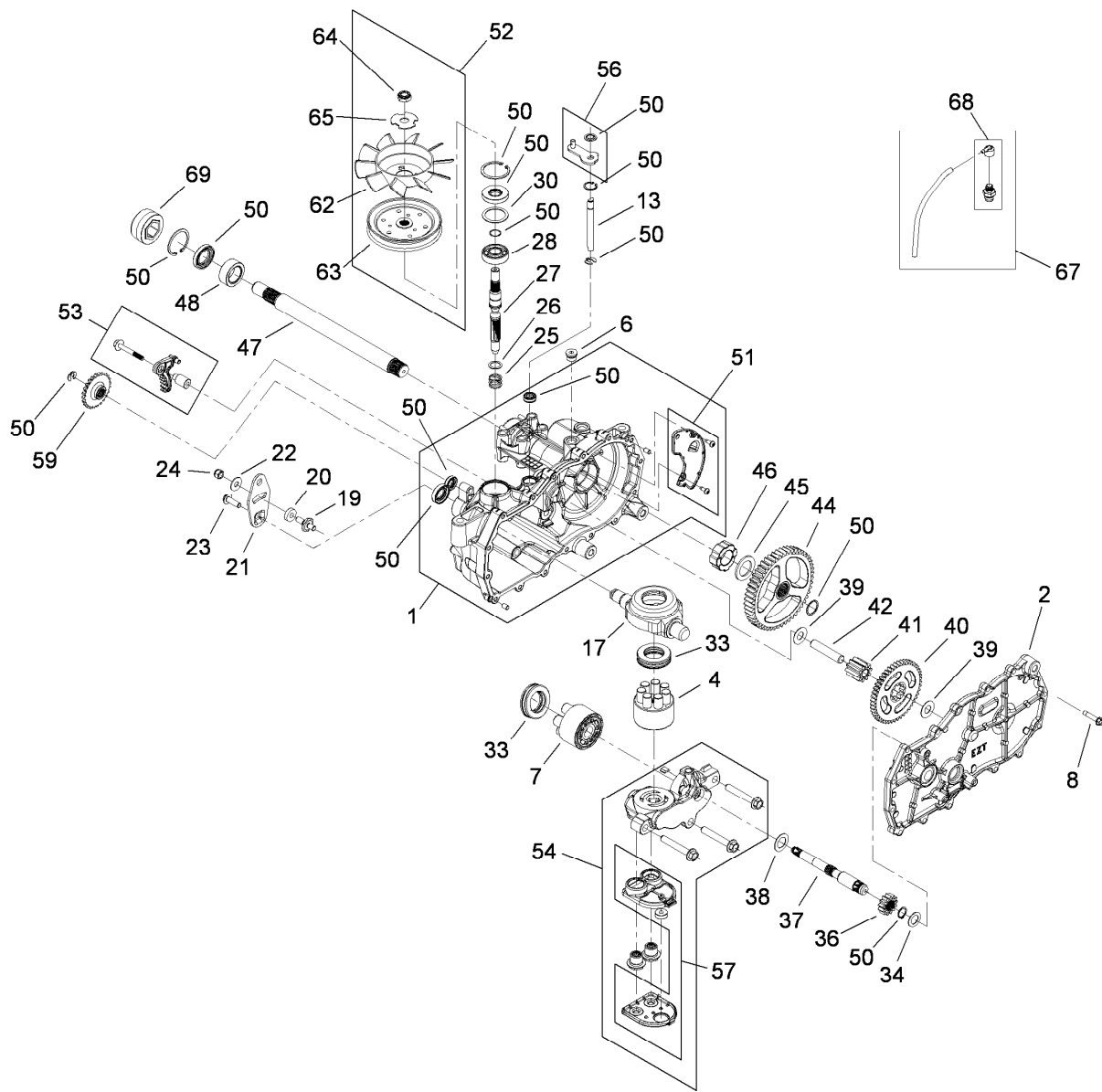
Ref.	Part Number	Qty.	Description	Ref.	Part Number	Qty.	Description
1	117-5339	1	RH Control Handle ASM	20	110-6845	2	Gear-Control
1:1	108-6187	1	Grip	21	110-6783-05	1	Arm-Actuator, LH
2	117-5338	1	LH Control Handle ASM ●	22	110-6782-05	1	Arm-Actuator, RH ●
2:1	108-6187	1	Grip ●	23	115-5023	2	Tab-Stop
3	3256-24	4	Washer-Flat	24	110-6873	2	Eccentric
4	323-6	4	Screw-HH	25	110-6874	2	Screw-Eccentric
5	112-4004	2	Screw-Shoulder	26	110-6875	2	Bolt-Shoulder
6	110-6828	2	Activator Arm ASM	27	110-6858	2	Cable-Brake, Parking
6:2	105-3455	2	Bushing	28	110-6751	2	Bracket-Return
7	110-6810	2	Stud-Damper	29	110-6750	2	Plate-Return
8	103-2913	2	Damper-Control, Motion	30	110-6752	2	Spring-Compression
9	3296-42	6	Nut-Lock, NI	31	110-6894	8	Washer-Pivot
10	46-8560	2	Screw-HHF	32	115-5041-03	1	Seat Pivot/Control ASM
11	3296-48	2	Nut-Lock, NI	33	323-4	2	Screw-HH
12	3256-22	4	Washer-Flat	34	110-0863	2	Screw-Torx
13	32128-23	2	Nut-HF	35	110-6784	2	Bolt-Shoulder
14	3256-5	2	Washer-Flat	36	112-9750	1	Decal-Control Lever, LH
15	110-6693	2	Link-Hydro	37	112-9751	1	Decal-Control Lever, RH
16	1-303105	2	Yoke-Adjustable	38	37-8771	2	Bolt-Shoulder
17	1-808280	2	Pin-Clevis	39	104-8300	2	Nut-Flange, NI
18	1-806003	2	Pin-Cotter, Hair	40	112-9771	2	Washer-Teflon
19	3220-2	2	Nut-Jam	41	110-6786	2	Cover-Control

● Not illustrated



Hydro Traction Drive Assembly

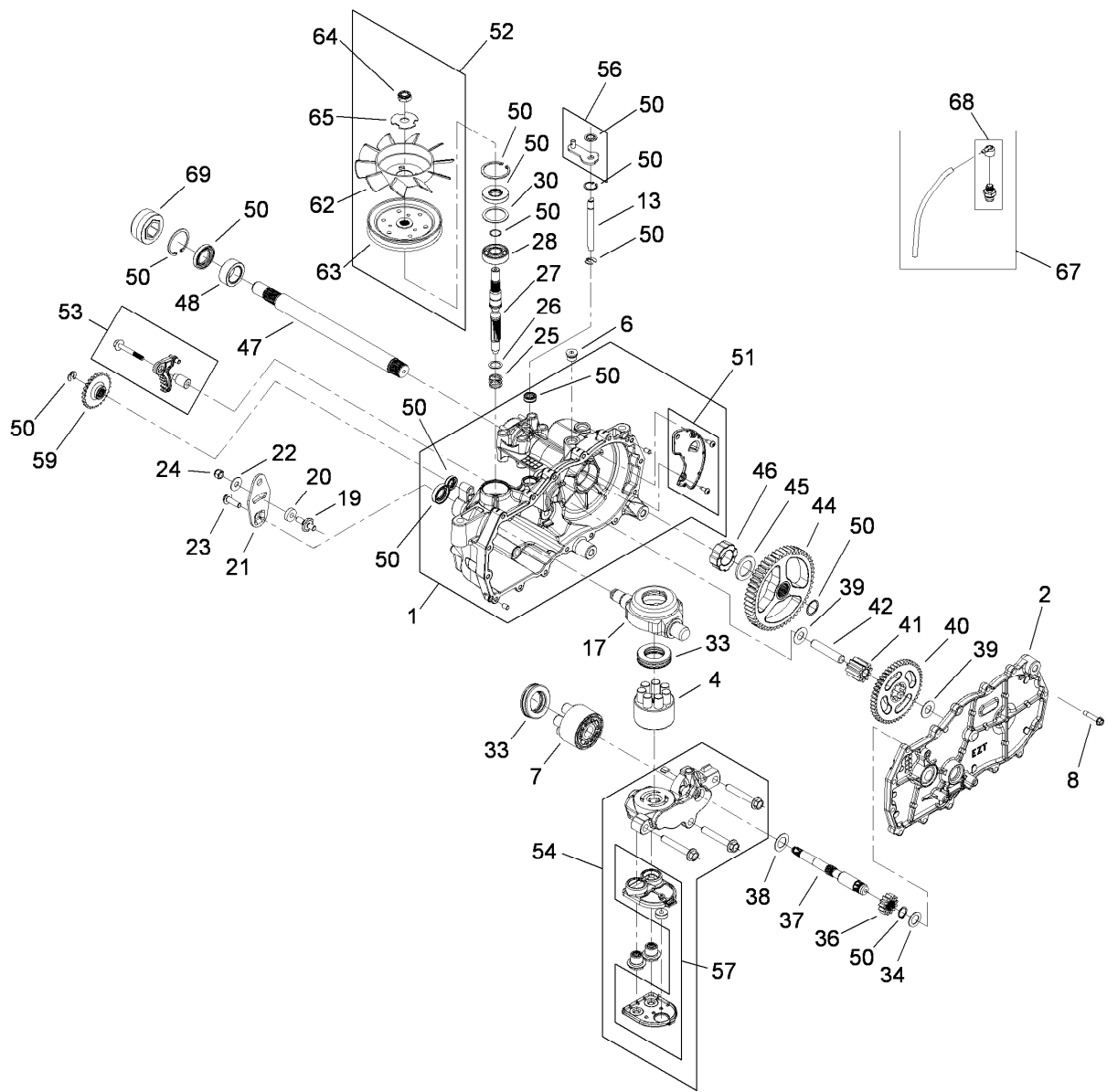
Ref.	Part Number	Qty.	Description	Ref.	Part Number	Qty.	Description
1	110-6771	1	Hydro-RH	17	242-50	8	Nut-Lug
2	110-6770	1	Hydro-LH	18	110-6807	1	Shaft-Cross
3	322-4	2	Screw-HH	19	110-1926	1	Plate-Pivot
4	322-11	2	Screw-HH	20	110-6806-03	2	Strap-Torque
5	3230-9	4	Screw-CARR	21	110-6878-03	2	Support-Hydro
6	104-8300	17	Nut-Flange, NI	22	110-6787	2	Rod-Bypass
7	322-6	1	Screw-HH	23	1-806003	2	Pin-Cotter, Hair
8	322-7	1	Screw-HH	24	3256-22	2	Washer-Flat
9	110-6677	2	Clip-Spring	25	324-8	4	Screw-HH
10	110-6774	1	V-Belt	26	3296-48	2	Nut-Lock, NI
11	63-1590	1	Spring-Idler	27	112-3979	2	Hub ASM
12	110-6775	2	Pulley-Idler	28	112-3982	2	Nut-Lock
13	5-4460	3	Washer-Pivot	29	3234-47	8	Screw-HHF
14	110-1925	1	Arm-Idler	30	115-5057	2	Cover-Nut, Axle
15	37-8771	1	Bolt-Shoulder	31	120-2249	2	Tire And Wheel ASM
16	110-6883	2	Wheel And Tire ASM	31:1	99-2996	1	Tire
16:1	110-6887	1	Tire	31:3	232-27	1	Stem-Valve
16:3	232-27	1	Stem-Valve	31:99	232-37	1	Tube
16:99	232-37	1	Tube				



RH Hydro Assembly No. 110-6771

Ref.	Part Number	Qty.	Description	Ref.	Part Number	Qty.	Description
1	114-1630	1	RH Main Housing ASM	33	94-6922	2	Bearing-Thrust
2	114-1631	1	RH Side ASM	34	104-5339	1	Washer-Flat
4	110-8561	1	Pump Block ASM	36	104-5316	1	Gear-Pinnion, 13T
6	104-2189	1	Plug-Thread, Straight	37	114-1632	1	Shaft-Motor
7	103-2666	1	Cylinder Block Kit	38	104-5360	1	Washer-Shaft, Motor
8	104-5305	16	Screw-HHF	39	94-1933	2	Washer
13	106-8678	1	Rod-Bypass	40	104-5317	1	Gear
17	104-5304	1	Swashplate-Trunnion	41	104-5318	1	Gear-Jackshaft, 10T
19	104-2116	1	Stud	42	104-5329	1	Pin-Jackshaft
20	112-9853	1	Puck-Friction	44	112-9855	1	Gear-52T, Bull
21	106-8747	1	Arm-Control	45	112-9856	1	Washer
22	5-4460	1	Washer-Pivot	46	112-9857	1	Bearing-Sleeve
23	107-2488	1	Screw	47	112-9858	1	Shaft-Axle
24	105-1872	1	Nut	48	112-9859	1	Bushing-Axle
25	94-1936	1	Spring-Block	50	106-8686	1	Seal Kit
26	94-1937	1	Washer-Thrust, Block	51	106-8697	1	RH Expansion Plate Kit
27	104-5306	1	Shaft-Input	52	106-8698	1	Fan Pulley Kit
28	104-5311	1	Bearing-Ball	53	114-1633	1	Brake Arm Kit
30	104-5308	1	Spacer	54	112-9861	1	RH Center Section Filter Kit

● Not illustrated

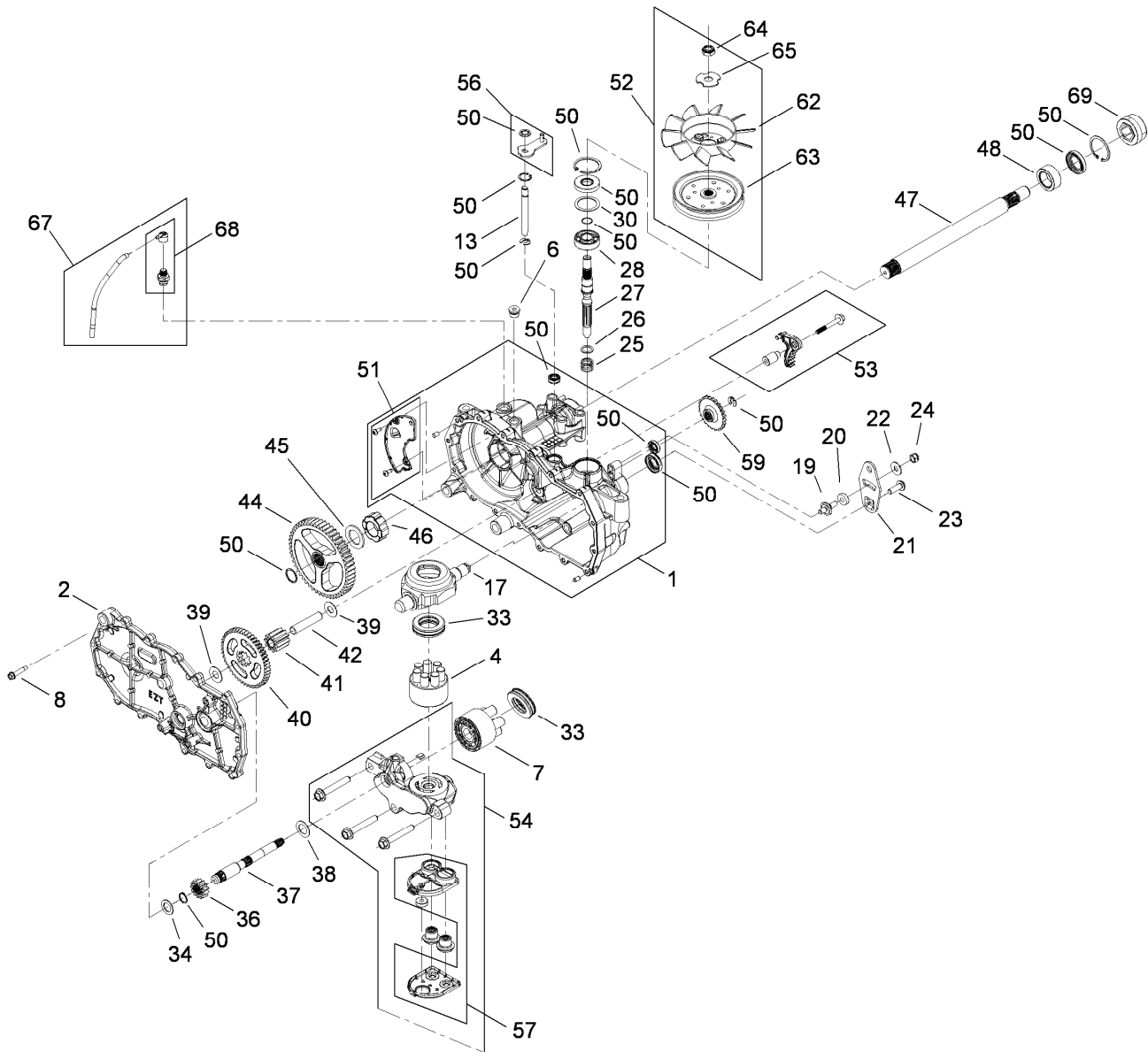


RH Hydro Assembly No. 110-6771 (continued)

Ref.	Part Number	Qty.	Description
55	104-2147	1	Sealant ●
56	107-2489	1	Bypass Arm Kit
57	114-1634	1	Filter Kit
59	106-8694	1	Disc-Brake, Cog
62	110-8566	1	Fan-6 Inch, 10 Blade
63	104-1754	1	Pulley

Ref.	Part Number	Qty.	Description
64	105-1875	1	Nut-Lock
65	107-9122	1	Washer-Slotted
67	112-9866	1	Breather Kit
68	114-1635	1	Breather ASM
69	115-5057	1	Cover-Nut, Axle

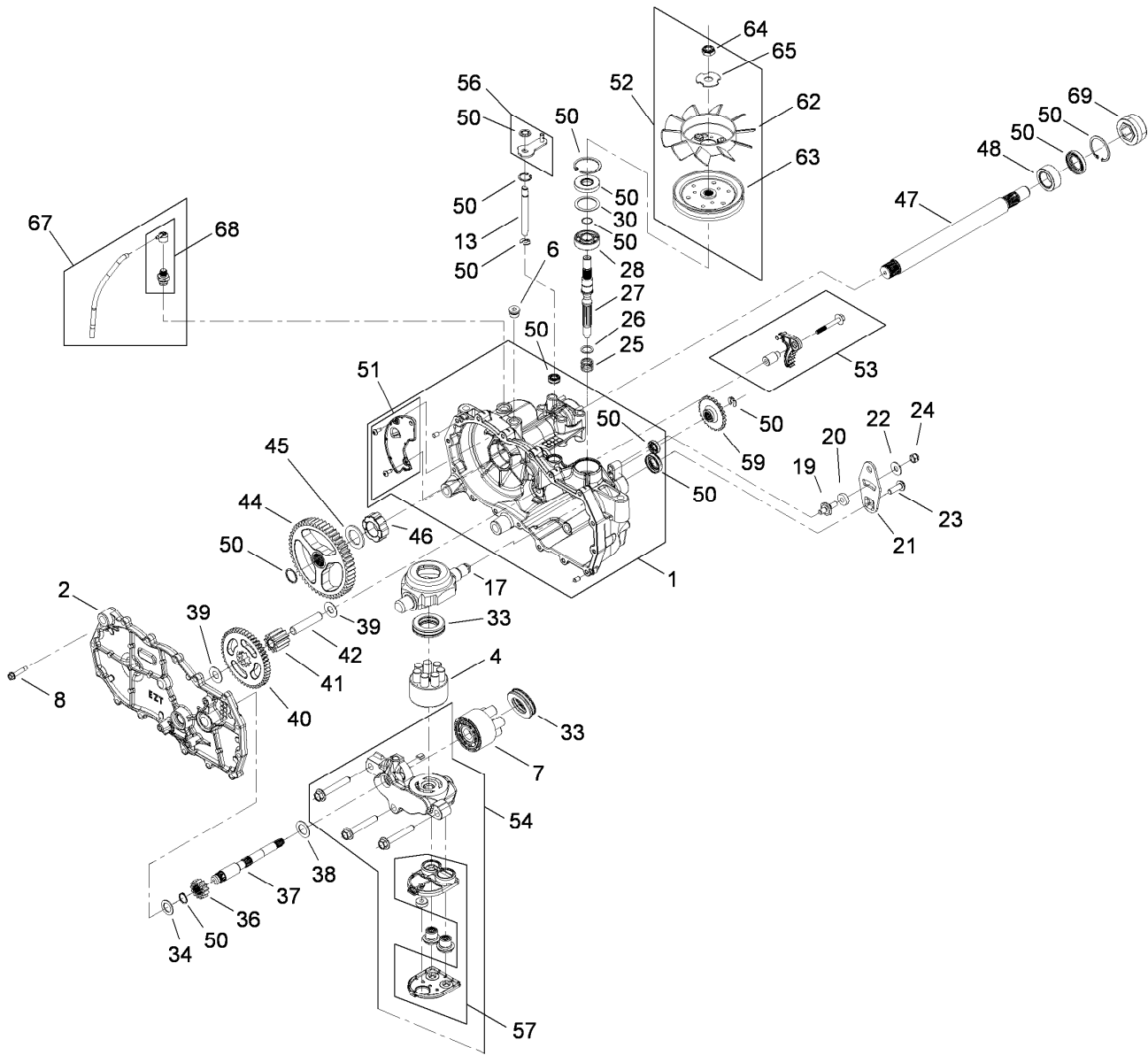
● Not illustrated



LH Hydro Assembly No. 110-6770

Ref.	Part Number	Qty.	Description	Ref.	Part Number	Qty.	Description
1	114-1636	1	LH Main Housing ASM	33	94-6922	2	Bearing-Thrust
2	114-1637	1	LH Side ASM	34	104-5339	1	Washer-Flat
4	110-8561	1	Pump Block ASM	36	104-5316	1	Gear-Pinnion, 13T
6	104-2189	1	Plug-Thread, Straight	37	114-1632	1	Shaft-Motor
7	103-2666	1	Cylinder Block Kit	38	104-5360	1	Washer-Shaft, Motor
8	104-5305	16	Screw-HHF	39	94-1933	2	Washer
13	106-8678	1	Rod-Bypass	40	104-5317	1	Gear
17	104-5304	1	Swashplate-Trunnion	41	104-5318	1	Gear-Jackshaft, 10T
19	104-2116	1	Stud	42	104-5329	1	Pin-Jackshaft
20	112-9853	1	Puck-Friction	44	112-9855	1	Gear-52T, Bull
21	106-8747	1	Arm-Control	45	112-9856	1	Washer
22	5-4460	1	Washer-Pivot	46	112-9857	1	Bearing-Sleeve
23	107-2488	1	Screw	47	112-9858	1	Shaft-Axle
24	105-1872	1	Nut	48	112-9859	1	Bushing-Axle
25	94-1936	1	Spring-Block	50	106-8686	1	Seal Kit
26	94-1937	1	Washer-Thrust, Block	51	106-8687	1	LH Expansion Plate Kit
27	104-5306	1	Shaft-Input	52	106-8698	1	Fan Pulley Kit
28	104-5311	1	Bearing-Ball	53	114-1633	1	Brake Arm Kit
30	104-5308	1	Spacer	54	112-9862	1	LH Center Section Filter Kit

● Not illustrated

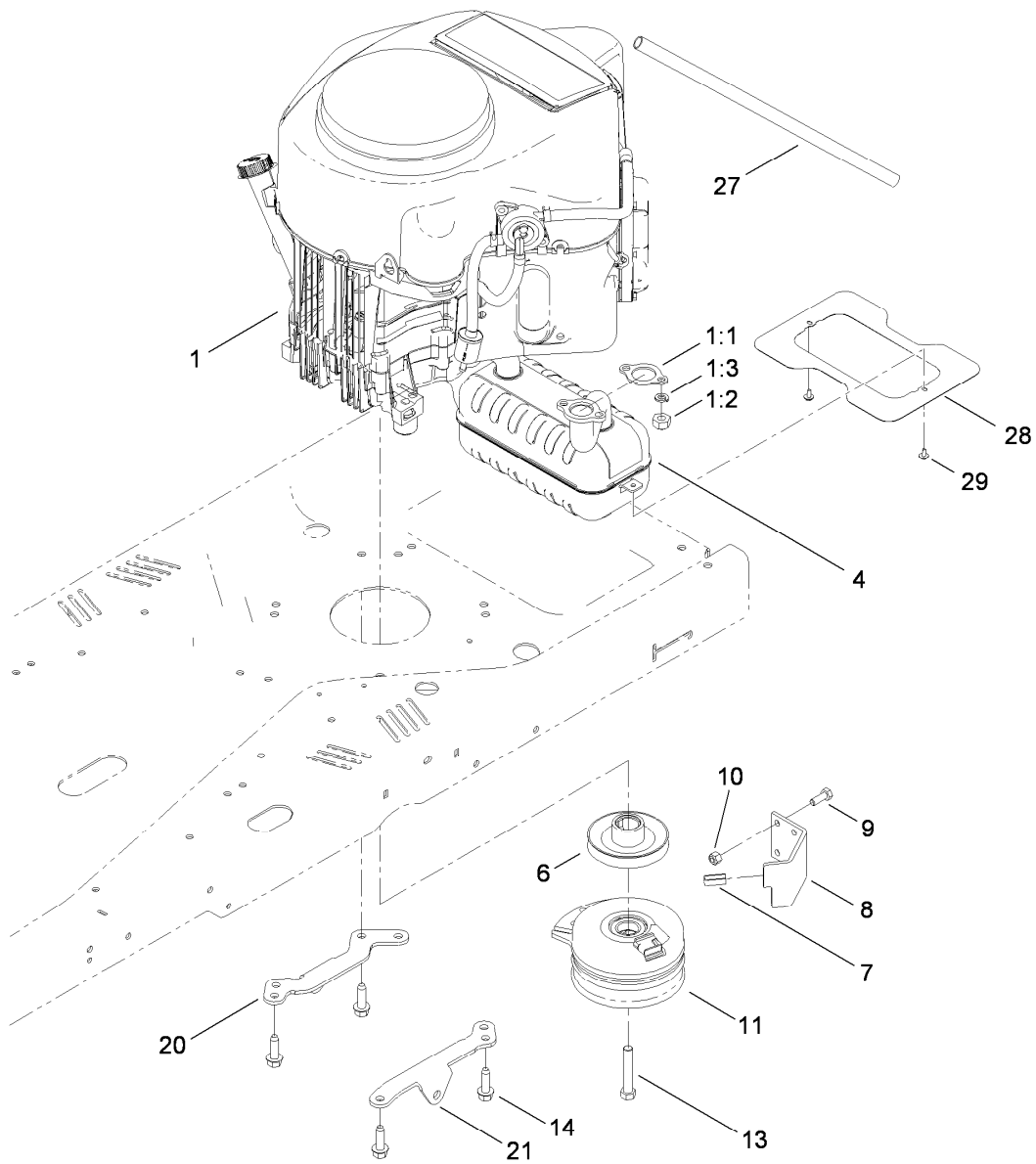


LH Hydro Assembly No. 110-6770 (continued)

Ref.	Part Number	Qty.	Description
55	104-2147	1	Sealant ●
56	107-2489	1	Bypass Arm Kit
57	114-1634	1	Filter Kit
59	106-8694	1	Disc-Brake, Cog
62	110-8566	1	Fan-6 Inch, 10 Blade
63	104-1754	1	Pulley

Ref.	Part Number	Qty.	Description
64	105-1875	1	Nut-Lock
65	107-9122	1	Washer-Slotted
67	112-9866	1	Breather Kit
68	114-1635	1	Breather ASM
69	115-5057	1	Cover-Nut, Axle

● Not illustrated

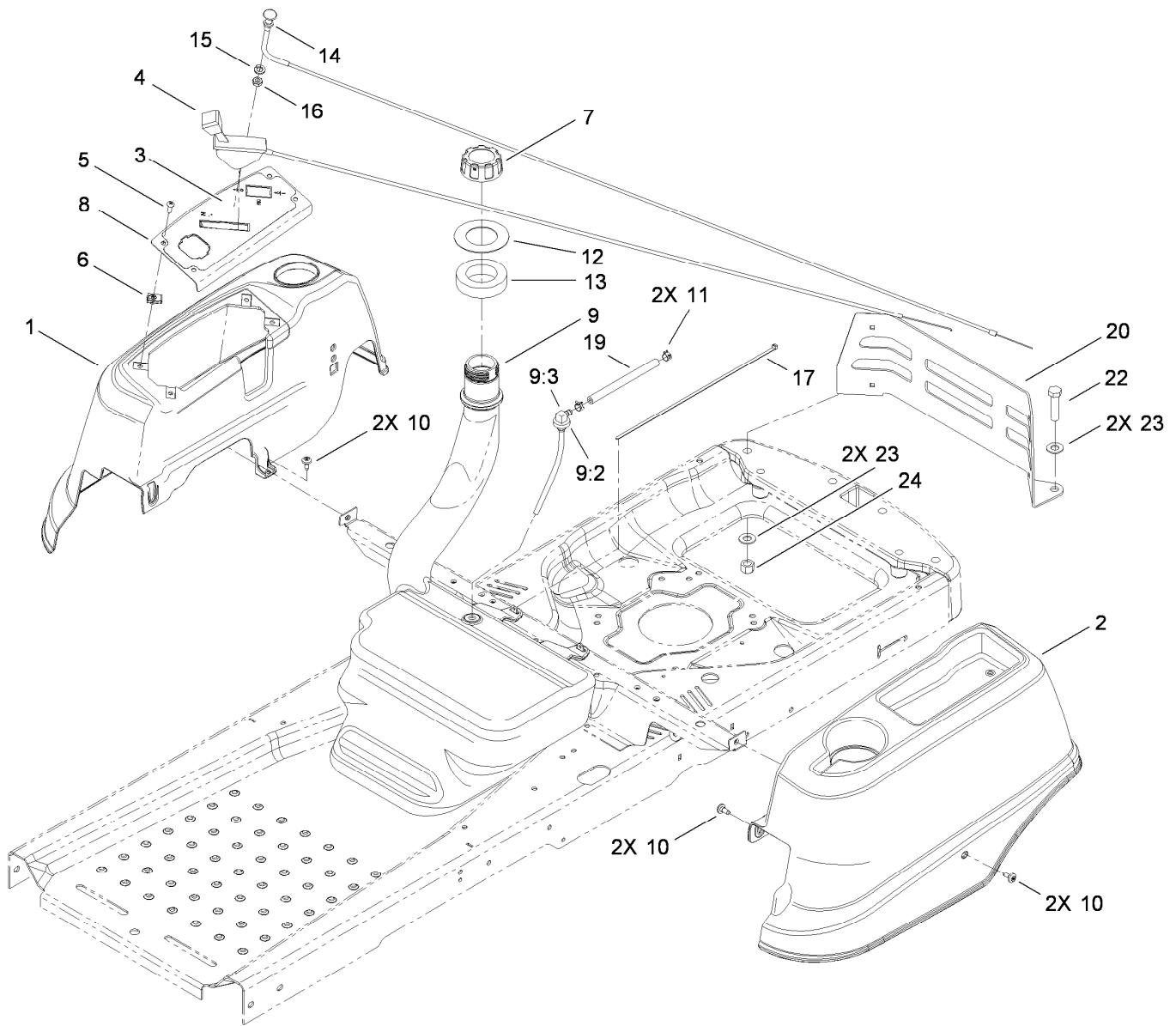


Engine and Clutch Assembly

Ref.	Part Number	Qty.	Description	Ref.	Part Number	Qty.	Description
1		1	Engine-Kawasaki, Fr691V-As50-R ●■	10	3296-29	2	Nut-Lock, NI
1:1	112-9820	2	Gasket-Exhaust	11	110-6766	1	Clutch-Electric, PTO
1:2	112-9834	4	Nut	13	3212-11	1	Screw-HH
1:3	112-9835	4	Washer-Lock	14	323-50	4	Bolt-TAP
4	117-7256	1	Muffler-Kawasaki	20	110-6798	1	Support-Hydro, RH
6	114-1622	1	Pulley-Engine	21	110-6799	1	Support-Hydro, LH
7	112-4033	1	Bumper-Pad	27	106-7022	1	Tube-Drain, Oil
8	110-6896	1	Stop-Clutch	28	114-8544-03	1	Shield-Heat
9	322-4	2	Screw-HH	29	46-8560	2	Screw-HHF

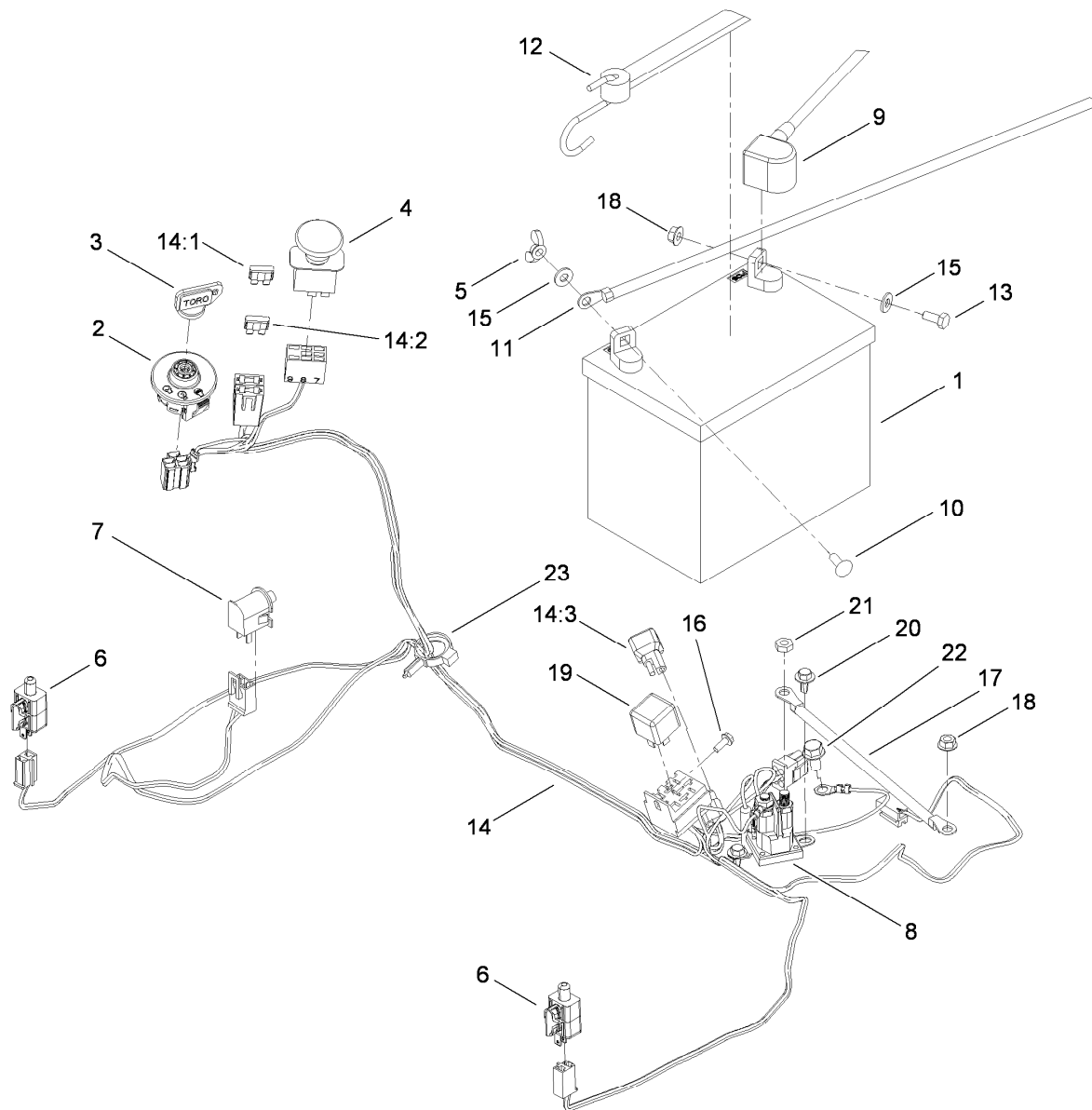
● Not serviced separately

■ Obtain parts from www.kawpowerepc.com



Fuel Delivery and Body Styling Assembly

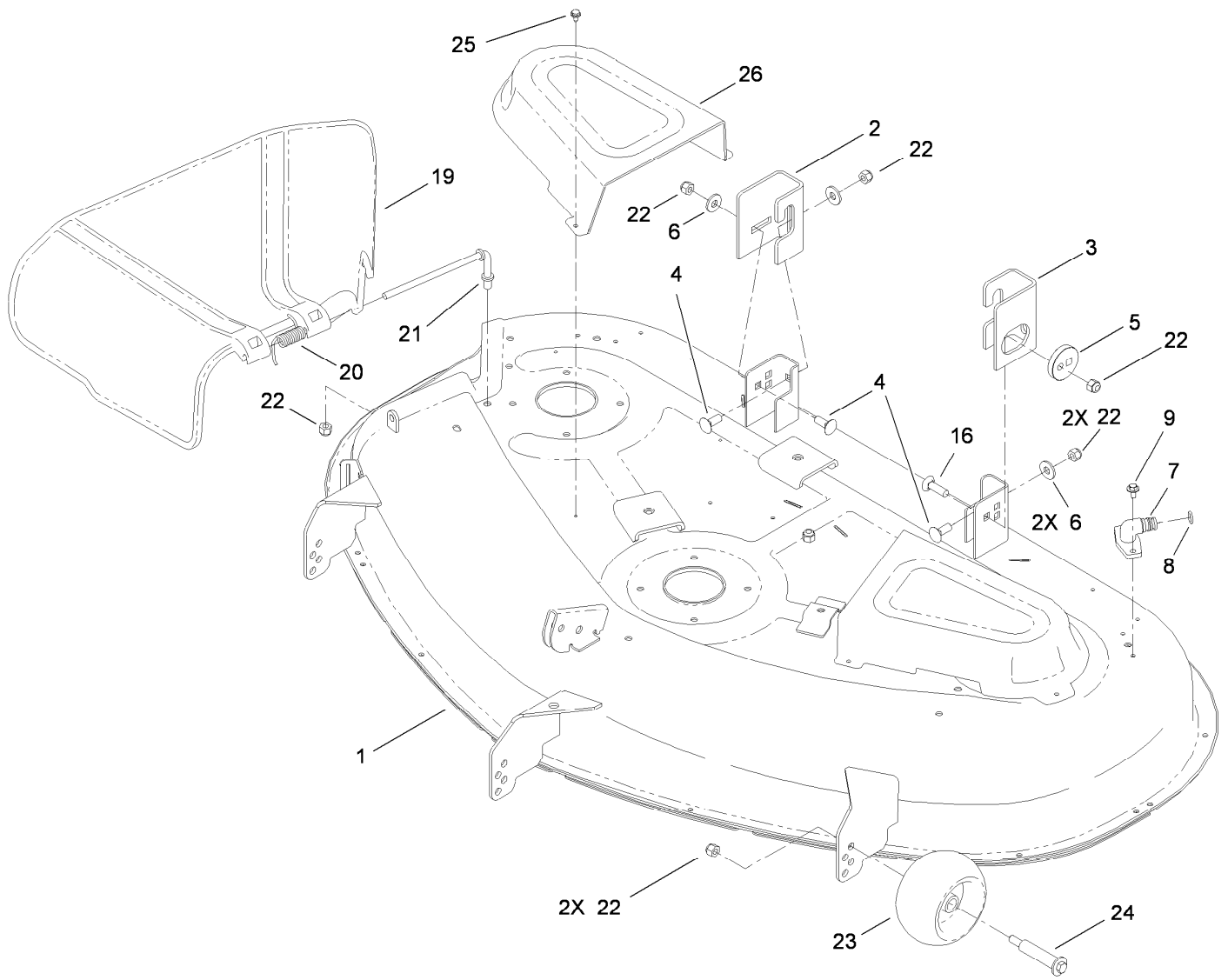
Ref.	Part Number	Qty.	Description	Ref.	Part Number	Qty.	Description
1	117-1219	1	Pod-RH	11	2412-98	2	Clamp
2	117-1220	1	Pod-LH	12	112-9760	1	Washer-Rubber
3	115-2501	1	Decal-Panel, Control	13	55-9310	1	Seal-Foam
4	112-9752	1	Cable-Throttle	14	112-9753	1	Cable-Choke
5	3258-166	4	Screw-PRH	15	3253-21	1	Washer-Lock
6	107069	4	Clip	16	3220-3	1	Nut-HJ
7	93-7198	1	Gas Cap ASM	17	100-9064	1	Tie-Cable
8	110-1927-03	1	Panel-Control	19	107-0589	1	Hose-Fuel
9	110-6890	1	Fuel Tank ASM	20	117-7469-03	1	Guard-Engine
9:2	46-6560	1	Bushing	22	325-8	2	Screw-HH
9:3	95-3970	1	Fitting-90 Degree	23	3256-26	4	Washer-Flat
10	112-4004	6	Screw-Shoulder	24	3296-23	2	Nut-Lock, NI



Electrical Assembly

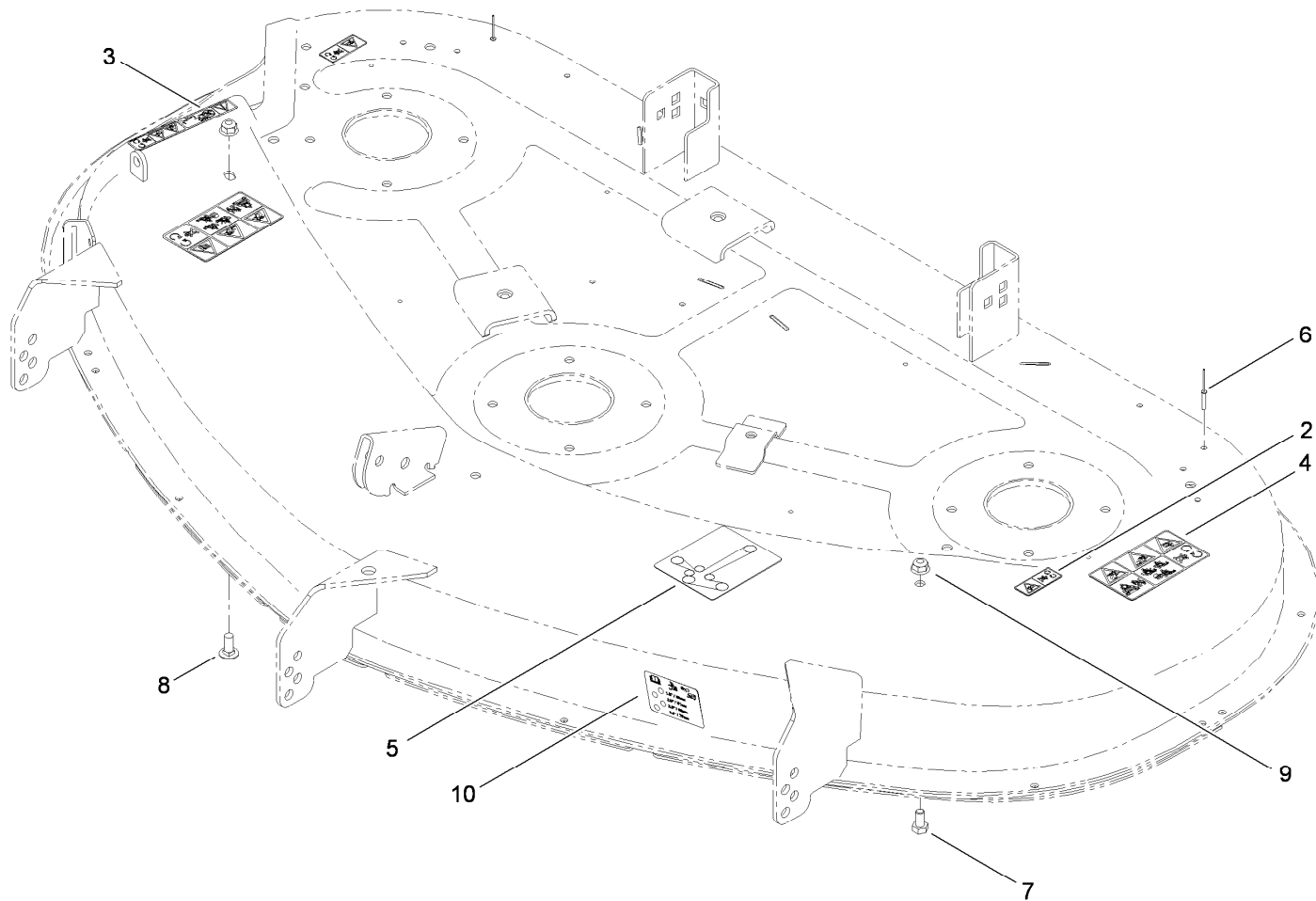
Ref.	Part Number	Qty.	Description
1	104-2493	1	Battery
2	117-2222	1	Switch-Ignition
3	63-8360	1	Key-Ignition
4	93-9998	1	Switch-PTO
5	32103-22	1	Nut-Wing
6	110-6765	2	Switch-Single Pole No
7	82-2190	1	Switch-Bail
8	117-1197	1	Solenoid
9	110-6794	1	Cable-Battery, Red
10	3229-1	1	Screw-CARR
11	110-6793	1	Cable-Battery, Black
12	104-2466	1	Holddown-Battery
13	321-3	1	Screw-HH

Ref.	Part Number	Qty.	Description
14	117-7384	1	Harness-Wire
14:1	109103	1	Fuse-30 Amp
14:2	109102	1	Fuse-25 Amp
14:3	100-4918	1	Diode
15	3256-22	2	Washer-Flat
16	32144-1	1	Screw-Taptite
17	110-6792	1	Cable-Battery, Red
18	32128-33	2	Nut-HF
19	98-7249	1	Relay
20	46-8560	2	Screw-HHF
21	3220-2	2	Nut-Jam
22	33104-016	1	Screw-HHF
23	105-1853	1	Clamp-Hose



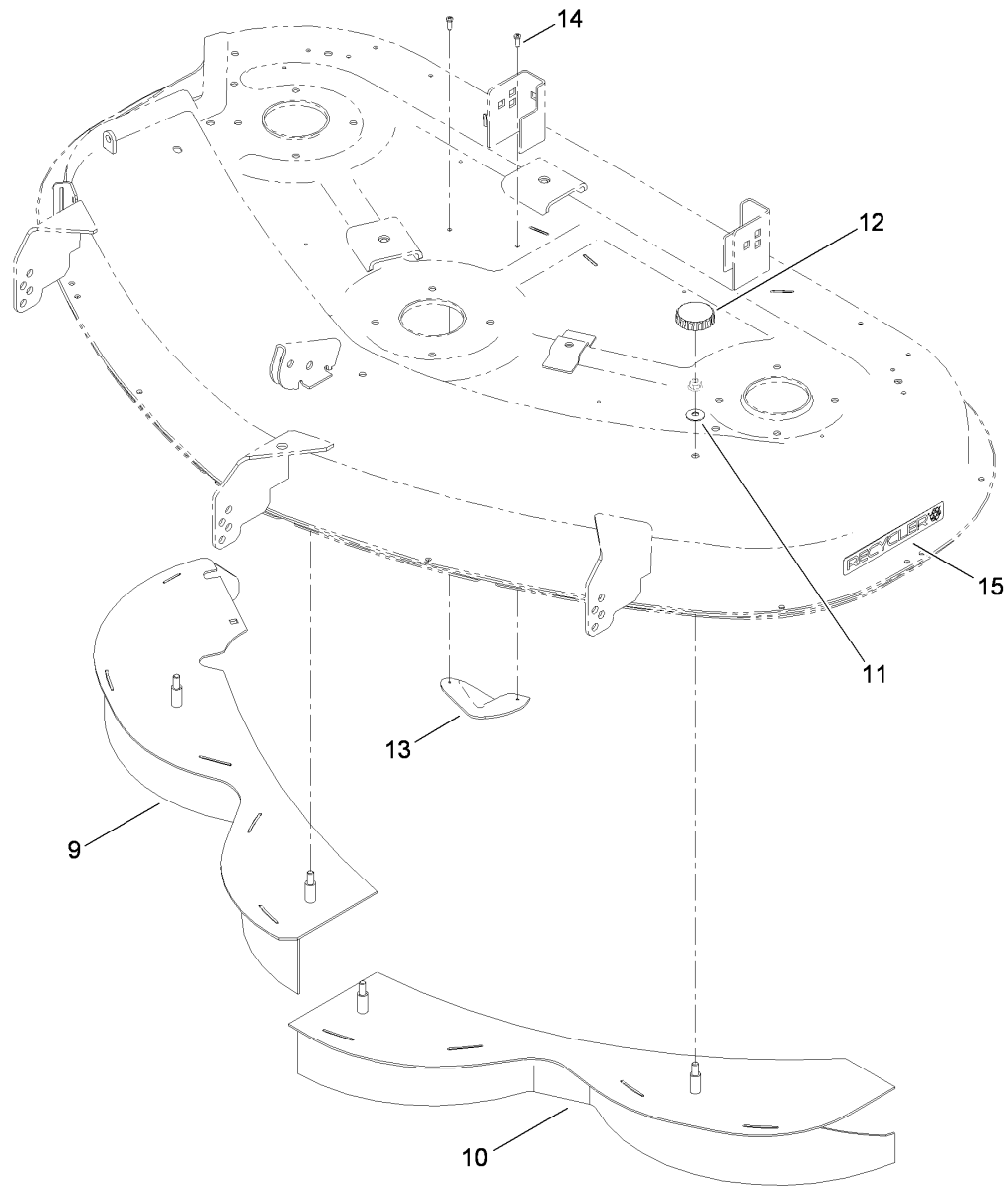
50 Inch Deck Assembly

Ref.	Part Number	Qty.	Description	Ref.	Part Number	Qty.	Description
1	117-1291	1	50 Inch Deck ASM	16	3231-28	1	Screw-CARR
2	108-7836	1	Bracket-Hanger, Right Rear	19	108-7895	1	Deflector-50 Inch
3	108-7838	1	Bracket-Hanger, Left Rear	20	110-6694	1	Spring-Torsion
4	3231-2	3	Screw-CARR	21	112-3950	1	Rod-Pivot
5	112-3980	1	Eccentric	22	3296-39	8	Nut-Lock, NI
6	80-6990	3	Washer-Hardened	23	1-603299	3	Roller-Scalp, Anti
7	95-2747	2	Fitting-Washout	24	112-3977	3	Bolt-Shoulder
8	46-6290	2	O-Ring, Seal	25	32104-76	6	Screw
9	46-8560	4	Screw-HHF	26	108-7890	2	Cover-Belt



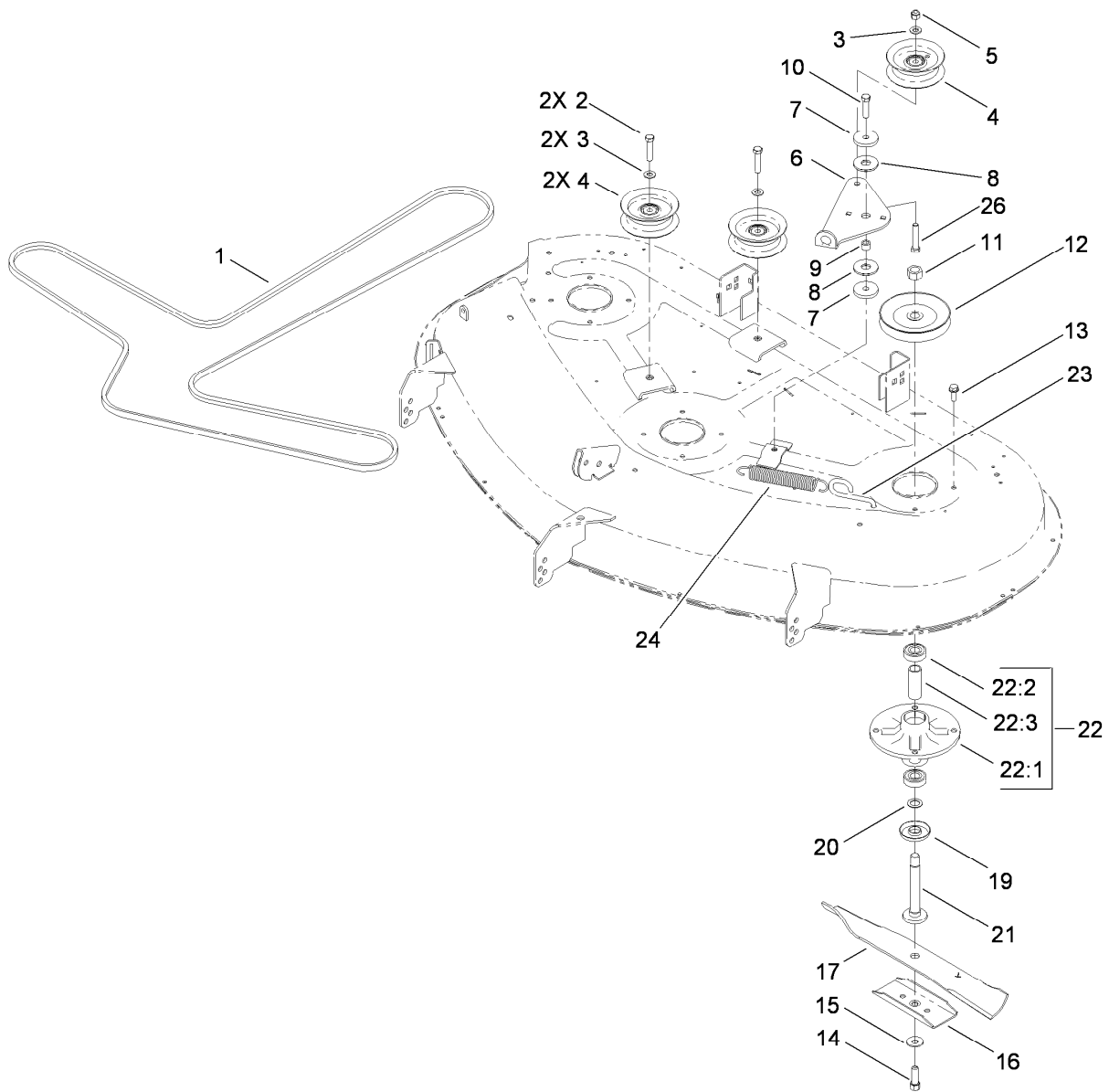
50 Inch Deck Decal Assembly No. 117-1291

<i>Ref.</i>	<i>Part Number</i>	<i>Qty.</i>	<i>Description</i>
2	114-1606	2	Decal-Danger, Pulley
3	93-7009	1	Decal-Danger, Deflector
4	110-6691	2	Decal-Danger
5	99-3943	1	Decal-Routing, Belt
6	3290-282	2	Rivet-Blind
7	322-2	1	Screw-HH
8	3230-23	1	Screw-CARR
9	104-8300	2	Nut-Flange, NI
10	112-9840	1	Decal-Scalp, Anti



50 Inch Deck Baffle Assembly

<i>Ref.</i>	<i>Part Number</i>	<i>Qty.</i>	<i>Description</i>
9	112-4010-03	1	RH Baffle ASM
10	112-4011-03	1	LH Baffle ASM
11	3290-456	4	Washer-Belleville
12	94-5583	4	Knob
13	76-2160	3	Plate-Kicker
14	32144-111	6	Screw-PPH
15	119-2368	1	Decal-Recycler



50 Inch Deck Spindle, Belt and Blade Assembly

Ref.	Part Number	Qty.	Description	Ref.	Part Number	Qty.	Description
1	110-6892	1	V-Belt	15	3290-465	3	Washer-Belleville
2	323-9	2	Screw-HH	16	106-2248-03	3	Stiffener-Blade
3	3256-24	3	Washer-Flat	17	112-9759-03	3	Blade-17.50 Inch
4	106-2175	3	Pulley-Idler, Flat	19	80-4360	3	Shield-Bearing
5	3296-39	1	Nut-Lock, NI	20	80-4380	3	Spacer
6	114-8540	1	Arm-Idler	21	117-1192	3	Shaft-Spindle
7	110-9981	2	Washer-Plain	22		3	Spindle ASM ●
8	114-0463	2	Washer-Friction, Composite	22:1	88-4510	1	Housing-Spindle
9	115-4986	1	Spacer	22:2	100-1048	2	Bearing-Ball
10	323-8	1	Screw-HH	22:3	62-3661	1	Spacer
11	3219-6	3	Nut-Hex	23	112-3973	1	Hook-Return, Spring
12	110-6865	3	Pulley	24	1-603414	1	Spring-Extension
13	32144-41	12	Screw-Taptite	26	323-10	1	Screw-HH
14	26-0671	3	Screw-HH				

● Not serviced separately

Attachments and Accessories

For 74398 TimeCutter Z5035 Riding Mower

Product Name	Model/Part
Smooth Tread Front Tire Kit.....	110-6739
Hour Meter Kit.....	112-9763
Deck Ring Kit.....	114-1608
Striping Kit	114-8545
Replacement Blade Kit (3 Blades)	79221
Floor Mat Kit	79315
Storage Cover	79317
Rear Hitch Kit.....	79318
Sunshade	79319
42 inch and 50 inch Twin Bagger	79324
10 cu. ft. Poly Dump Cart	79991

Notes:

Notes:



Count on it.