



**Count on it.**

**Parts Catalog**

**Reelmaster® 2000-D**

Model No. 03431—Serial No. 260000001 and Up

# Ordering Replacement Parts

To order replacement parts, please supply the part number, the quantity, and the description of each part desired.

## Understanding Reference Numbers

Each identified part in an illustration has a reference number. The reference number for a part also appears in the parts list, along with other information about the part.

This catalog uses two special reference number formats, one to indicate parts in a service assembly and another to indicate the quantity of a given part in an illustration.

## Service Assembly Reference Numbers

Parts in service assemblies have reference numbers in the form a:b. The a represents the reference number of the entire service assembly and the b represents a sequential number unique to each part within the service assembly.

For example, a wheel assembly might be identified by reference number 6, the tire by 6:1, the valve by 6:2, and the wheel by 6:3. When you order the assembly identified by reference number 6, you receive all parts identified by reference numbers 6:1, 6:2, and 6:3. However, you may also order any part individually. Reference numbers of this type appear in illustration and in parts lists.

## Reference Numbers Indicating Quantity

In an illustration, if a reference number indicates more than one part, the reference number has the form nX y. The n represents the quantity of the part, the X is the multiplication symbol, and the y represents the reference number.

For example, in an illustration, the reference number 2X 37 means that two of the parts identified by reference number 37 are indicated.

# List of Abbreviations

**AR:** as required

**ASM:** assembly

**BBC:** blade brake control

**BHTF:** button head thread forming

**CARR:** carriage

**CCW:** counter clockwise

**CW:** clockwise

**DEG:** degrees

**ECM:** electronic control module

**EXT:** external

**FH:** flat head

**GA:** gauge

**HD:** heavy-duty

**HF:** hex flange

**HH:** hex head

**HHF:** hex head flange

**HHFTF:** hex head flange thread forming

**HJ:** hex jam

**HLH:** hex lag head

**HOC:** height-of-cut

**HSBH:** hex socket button head

**HSFH:** hex socket flat head

**HSH:** hex socket head

**HWH:** hex washer head

**HWHTF:** hex washer head thread forming

**HYD:** hydraulic

**LH:** left hand

**LP:** Liquid Propane

**NI:** nylon insert

**NPTF:** national pipe thread fine

**PFH:** phillips flat head

**PPH:** phillips pan head

**PPHTF:** phillips pan head thread forming

**PRH:** phillips round head

**PTH:** phillips truss head

**PTO:** power-take-off

**RH:** right hand

**ROPS:** roll-over protection system

**RRB:** rear roller brush

**SFH:** slotted fillister head

**SHH:** slotted hex head

**SHWH:** slotted hex washer head

**SPH:** slotted pan head

**SQH:** square head

**SRH:** slotted round head

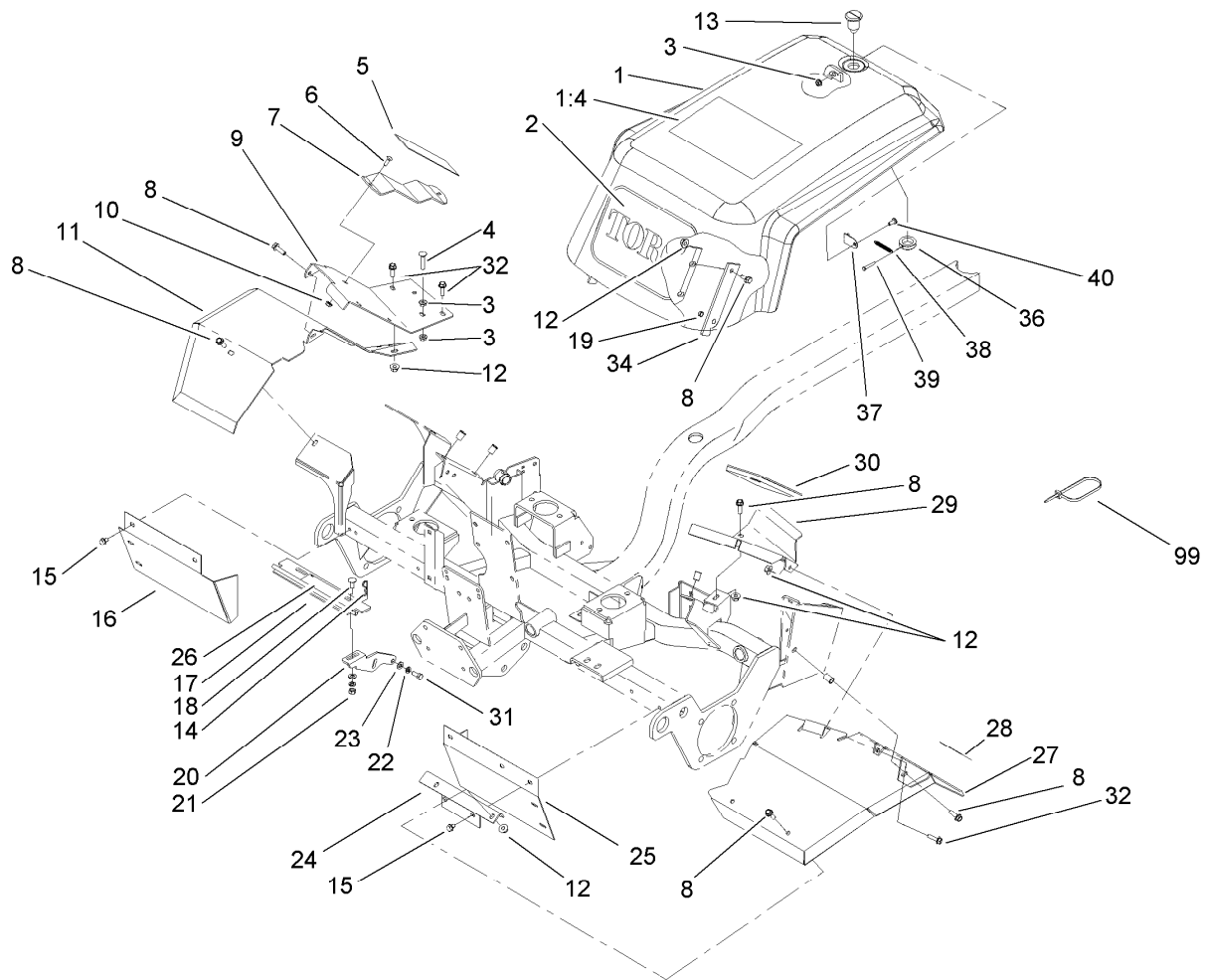
**STD:** standard

**TAP:** self tapping

**TTH:** torx truss head

# Contents

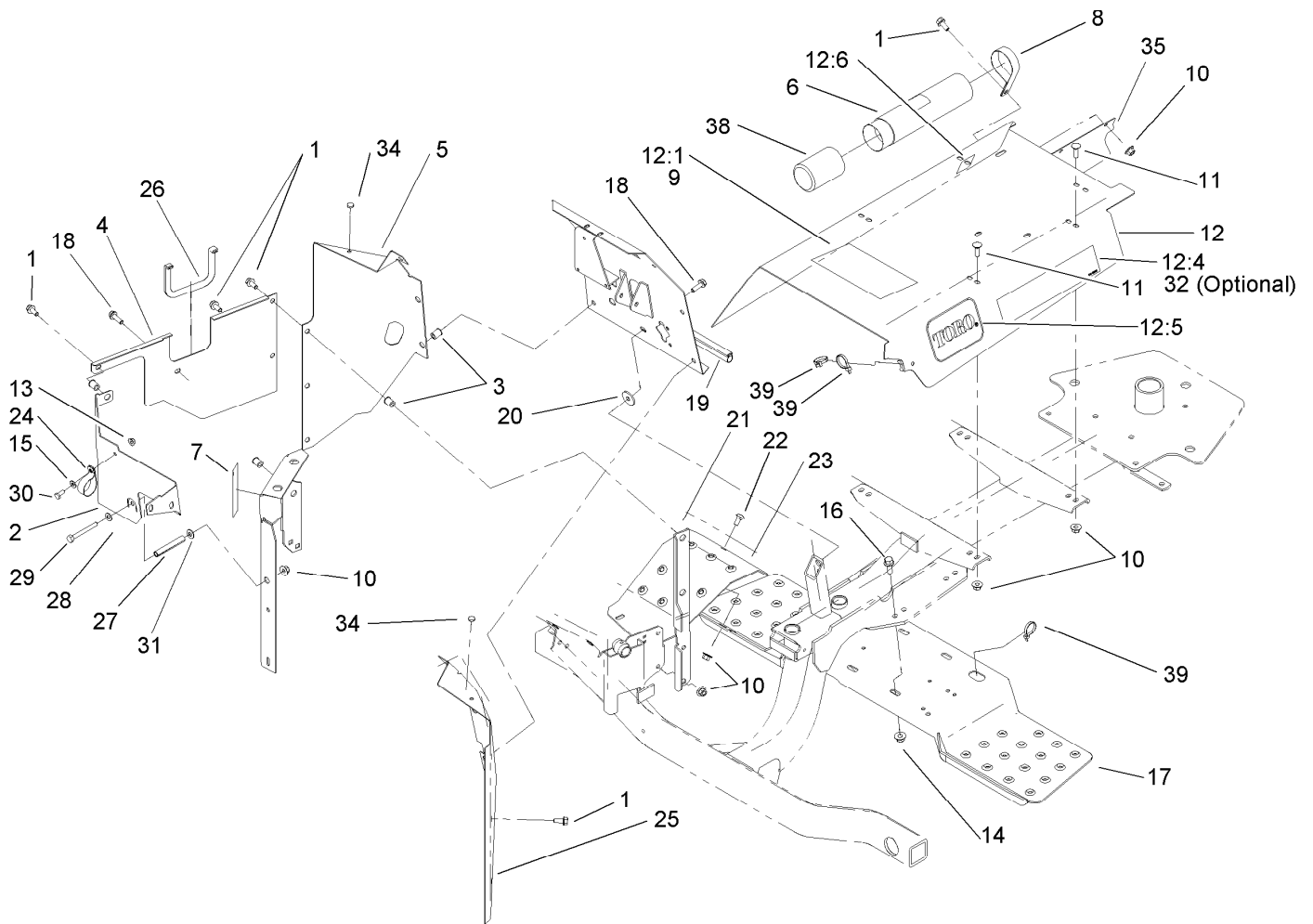
Hood Assembly . . . . .	4
Skirt and Body Panel Assembly . . . . .	5
Instrument Panel Assembly . . . . .	6
Steering Assembly . . . . .	7
Castor Fork Assembly . . . . .	8
Fuel Tank and Filter Assembly . . . . .	9
Engine Assembly . . . . .	10
Muffler, Air Cleaner and Oil Cooler Assembly . . . . .	11
Air Cleaner Assembly No. 93-2190 . . . . .	12
Engine Installation Assembly . . . . .	13
Radiator Assembly . . . . .	14
Hydraulic Tank and Filter Assembly . . . . .	15
Hydraulic Pump Assembly . . . . .	16
Hydraulic Pump Assembly No. 104-3874 . . . . .	17
Gear Pump Assembly No. 99-6131 . . . . .	19
Pump Mount Assembly . . . . .	20
Traction Control Assembly . . . . .	21
Hydraulic Motor Installation Assembly . . . . .	22
Hydraulic Motor Assembly No. 75-9990 . . . . .	23
Hydraulic Motor Assembly No. 93-6888 . . . . .	24
Front Wheel and Brake Assembly . . . . .	25
Brake Assembly No. 104-7705 . . . . .	26
Hydraulic Valve Installation Assembly . . . . .	27
Hydraulic Control Valve No. 104-4092 . . . . .	28
Rear Lift Arm Assembly . . . . .	29
Hydraulic Cylinder Assembly No. 93-6869 . . . . .	30
Front Lift Cylinder Assembly . . . . .	31
Hydraulic Lift Cylinder Assembly No. 94-5031 . . . . .	32
Manifold Block Assembly No. 104-3995 . . . . .	33
Reel Motor Assembly . . . . .	34
Gear Motor Assembly No. 93-6972 . . . . .	35
Gear Motor Assembly No. 93-6975 . . . . .	36
Seat Assembly . . . . .	37
Cylinder Assembly . . . . .	38
Crankshaft Assembly . . . . .	39
Cylinder Head Assembly . . . . .	40
Injection Assembly . . . . .	41
Rocker Arm Assembly . . . . .	42
Oil Pan Assembly . . . . .	43
Cover Assembly . . . . .	44
Gear Housing Assembly . . . . .	45
Water Pump Assembly . . . . .	46
Manifold Assembly . . . . .	47
Starter and Alternator Assembly . . . . .	48
Alternator Assembly No. 99-9209 . . . . .	49
Gasket and Valve Overhaul Kit . . . . .	50
Attachments and Accessories . . . . .	51



## Hood Assembly

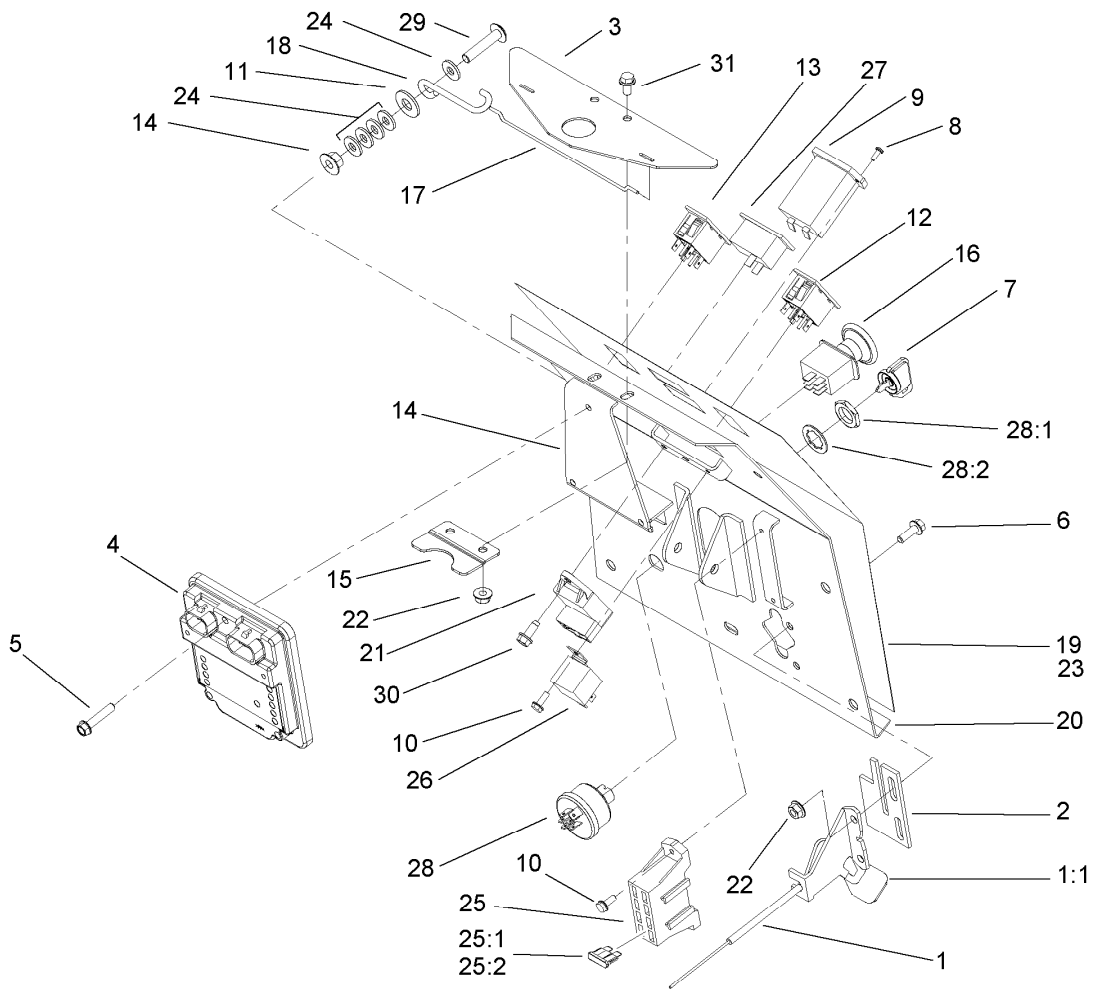
Ref.	Part Number	Qty.	Description	Ref.	Part Number	Qty.	Description
1	104-3987	1	Hood ASM	20	93-6742-03	2	Bracket-Hood, Pivot
1:4	106-8109	1	Decal	21	3217-6	2	Nut-Hex
1:5	106-8117	1	Heat Tape Repair Kit ●	22	3253-4	6	Washer-Lock
2	66-1210	1	Decal	23	3256-23	6	Washer-Flat
3	32128-20	3	Nut-HF	24	83-8510-01	1	Bracket-Fender, Left
4	3230-27	1	Screw-CARR	25	83-9800-01	1	Grass Shield-Front, LH
5	76-2260	1	Pad-Footrest	26	94-5056	1	Decal
6	3229-1	2	Screw-CARR	27	93-6776-01	1	Fender-LH
7	76-2200-03	1	Footrest-Pedal, Traction	28	93-7267	1	Decal-Brake
8	3234-5	8	Screw-HHF	29	83-9710-03	1	Footrest-Pedal, Traction
9	93-6779-03	1	Footrest-RH	30	83-9840	1	Pad-Foot
10	32128-33	3	Nut-HF	31	322-3	4	Screw-HH
11	93-6778-01	1	Fender-RH	32	3234-17	10	Screw-HHF
12	32128-44	16	Nut	34	104-3968-03	2	Bracket-Hood
13	104-4074	1	Stud-Latch	36	104-4078	1	Collar-Latch
14	3290-467	1	Pin-Hair	37	104-4079	1	Bracket-Spring
15	32104-82	5	Screw-HHF	38	104-4080	1	Spring-Extension
16	104-4062-01	1	Shield-Front, RH	39	3290-360	1	Screw-HH
17	93-6780-03	1	Hinge ASM	40	3290-145	1	Screw
18	3230-2	2	Bolt-CARR	99	3290-379	2	Tie-Cable
19	256-320	2	Bushing-Nylon				

● Not illustrated



## Skirt and Body Panel Assembly

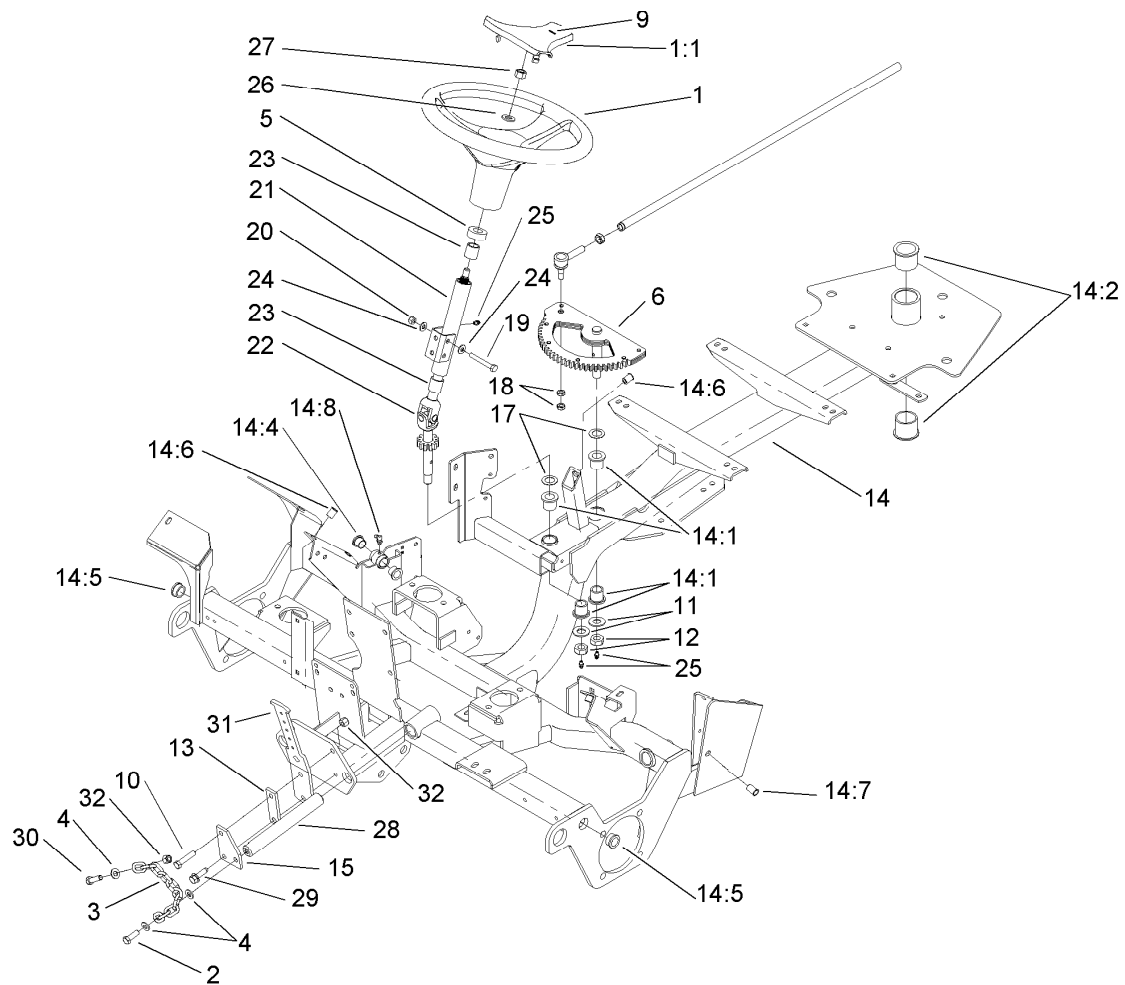
Ref.	Part Number	Qty.	Description	Ref.	Part Number	Qty.	Description
1	3234-5	15	Screw-HHF	17	93-6868-03	1	Step-Foot
2	104-3865-03	1	Panel-Front, RH	18	3234-17	2	Screw-HHF
3	32148-7	8	Nut-Insert	19	76-6471	1	Strip-Seal, Firewall
4	104-4063-03	1	Front Panel ASM	20	62-7170	1	Spacer-Rubber
5	104-3932-03	1	Panel-Rear, Right	21	104-4009-03	1	Angle-Right
6	104-7050	1	Tube-Manual	22	3230-1	1	Bolt-CARR
7	106-8120	1	Decal-Danger, Ce	23	93-6938-03	1	Shield-Footrest
8	2412-133	2	R-Clamp	24	2412-74	1	R-Clamp
9	106-8119	1	Decal-Warning, Ce	25	93-6732-03	1	Panel-Rear, Left
10	32128-44	13	Nut	26	104-4060	1	Trim
11	3230-2	4	Bolt-CARR	27	93-6908	1	Spacer-Split
12	104-3916	1	Skirt ASM	28	3256-23	1	Washer-Flat
12:1	104-4096	1	Decal-Warning	29	322-23	1	Screw-HH
12:4	104-3988	2	Decal	30	321-3	1	Screw-HH
12:5	104-3989	2	Decal	31	87-8640	1	Washer-Flat
12:6	105-4674	1	Decal-Noise	32	104-4014	1	Decal-Sport, Reelmaster
13	32128-33	1	Nut-HF	34	104-4098	2	Seal-Foam
14	32128-43	4	Nut-Flange	35	104-4086-01	1	Shield-Muffler
15	3256-22	1	Washer-Flat	38	104-7048	1	Cap-Housing
16	3234-11	4	Screw-HHF	39	3290-379	3	Tie-Cable



## Instrument Panel Assembly

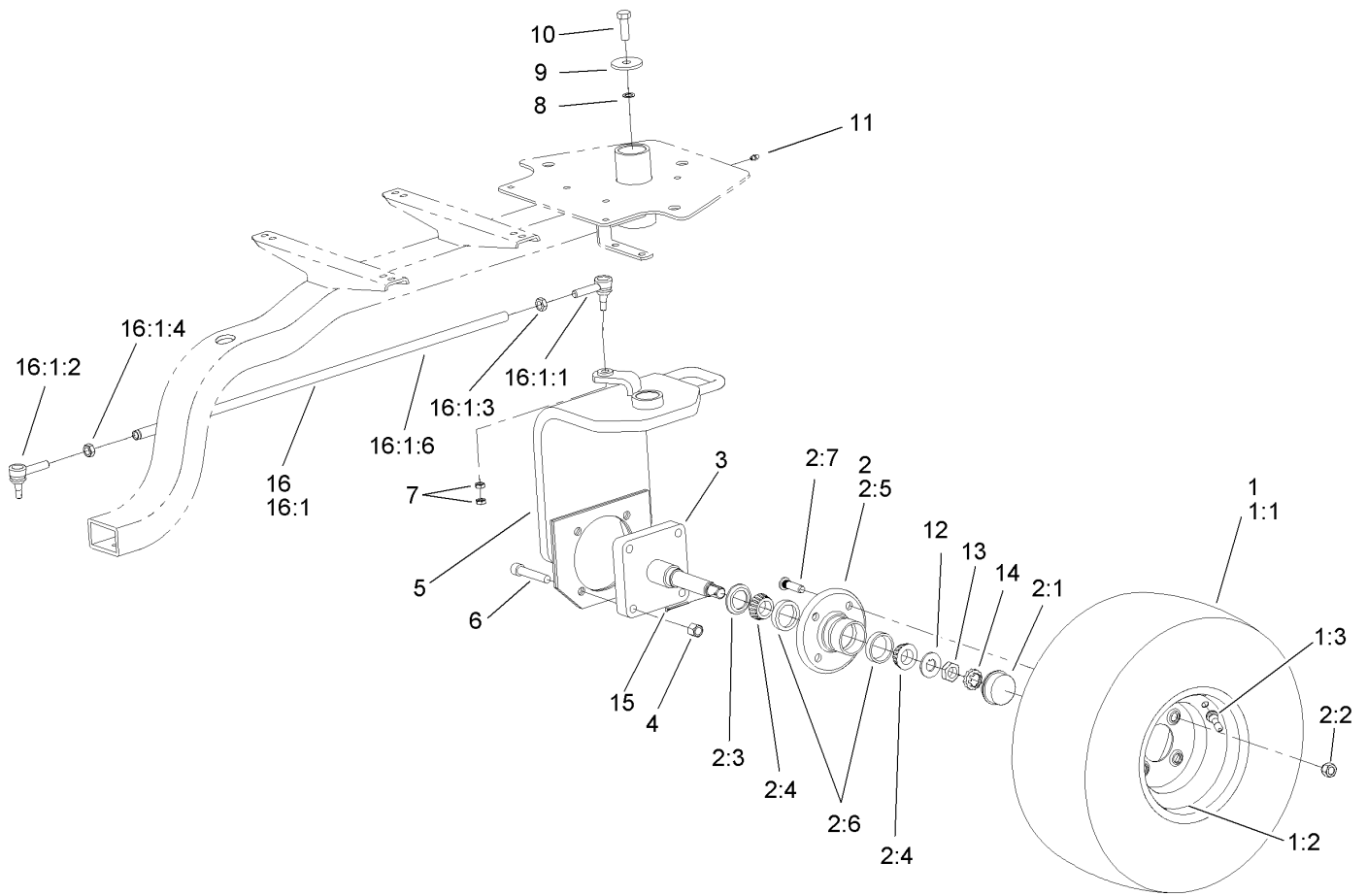
<i>Ref.</i>	<i>Part Number</i>	<i>Qty.</i>	<i>Description</i>	<i>Ref.</i>	<i>Part Number</i>	<i>Qty.</i>	<i>Description</i>
1	104-3967	1	Cable-Control, Throttle	19	104-3991	1	Decal
1:1	66-0120	1	Knob	20	104-3864-03	1	Panel-Instrument
2	93-6743	1	Stop-Throttle	21	99-9666	1	Module
3	104-4075-03	1	Plate-Latch	22	32128-33	4	Nut-HF
4	106-9277	1	Module-Control, Standard	23	104-3994	1	Decal
5	32144-110	3	Screw-HWH	24	3256-2	5	Washer-Flat
6	3234-4	2	Screw-HHF	25	104-4064	1	Harness-Wire, Main
7	63-8360	2	Key-Ignition	25:1	218-578	1	Fuse-10 Amp ●
8	32144-18	2	Screw-HH	25:2	109355	1	Fuse-15 Amp ●
9	75-6820	1	Hourmeter	25:3	104-4022	1	Resistor-75 Ohm ●
10	32144-1	3	Screw-Taptite	25:4	94-6710	1	Fuse-2 Amp ●
11	3256-4	1	Washer-Flat	26	99-7435	1	Relay-Power
12	100-8070	1	Lamp-Warning	27	104-4071	1	Light-Indicator, Amber
13	100-8071	1	Lamp-Warning	28	104-2541	1	Switch ASM
14	32128-44	2	Nut	28:1	218-461	1	Nut-HH
15	104-4076-03	1	Plate-Spring, Keeper	28:2	3254-5	1	Washer-Tooth, Internal
16	93-9998	1	Switch-PTO	29	322-41	1	Screw-HH
17	104-4077	1	Wire-Form	30	32144-10	1	Screw-HWH
18	94-5973	1	Hook	31	3234-13	2	Screw-HHF

● Not illustrated



## Steering Assembly

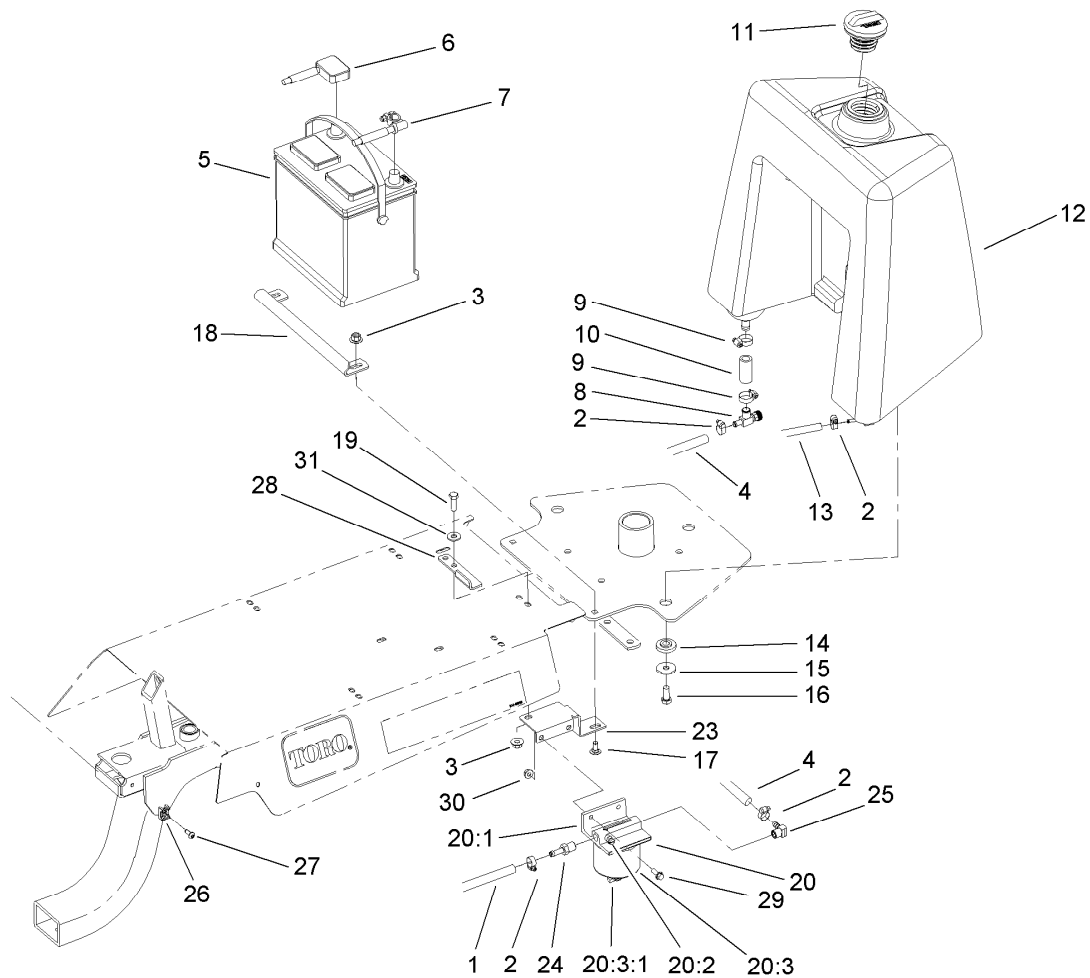
<i>Ref.</i>	<i>Part Number</i>	<i>Qty.</i>	<i>Description</i>	<i>Ref.</i>	<i>Part Number</i>	<i>Qty.</i>	<i>Description</i>
1	98-1471	1	Wheel-Steering	14:8	302-60	1	Fitting-Grease
1:1	98-1468	1	Cover-Wheel, Steering	15	98-3446	2	Plate-Reinforcement
2	323-18	2	Screw-HH	17	3-6498	6	Washer-Thrust
3	93-6738	2	Chain	18	3220-3	2	Nut-HJ
4	3256-24	6	Washer-Flat	19	322-12	1	Screw-HH
5	21-9260	1	Cover-Dust	20	3296-29	1	Nut-Lock, NI
6	93-6768-03	1	Gear-Sector	21	93-6769-03	1	Column-Steering
9	98-1459	1	Decal	22	94-5969	1	Shaft And Gear-Steering
10	323-9	2	Screw-HH	23	256-27	2	Bushing
11	3256-27	2	Washer-Flat	24	87-8640	2	Washer-Flat
12	3296-33	2	Nut-Lock, NI	25	302-5	3	Fitting-Grease
13	98-3445	2	Spacer	26	3256-26	1	Washer-Flat
14	104-3913	1	Frame ASM	27	3296-25	1	Nut-Lock, NI
14:1	106-8125	4	Bushing	28	92-1812	2	Shaft-Pivot, Lift
14:2	256-245	2	Bushing-Flange	29	32144-109	2	Screw
14:4	75-2160	2	Bushing	30	323-7	2	Screw-HH
14:5	256-247	2	Bushing-Flange	31	92-1818-01	2	Arm-Spring, Tension
14:6	32148-7	4	Nut-Insert	32	3296-39	4	Nut-Lock, NI
14:7	32148-8	1	Insert-Threaded				



## Castor Fork Assembly

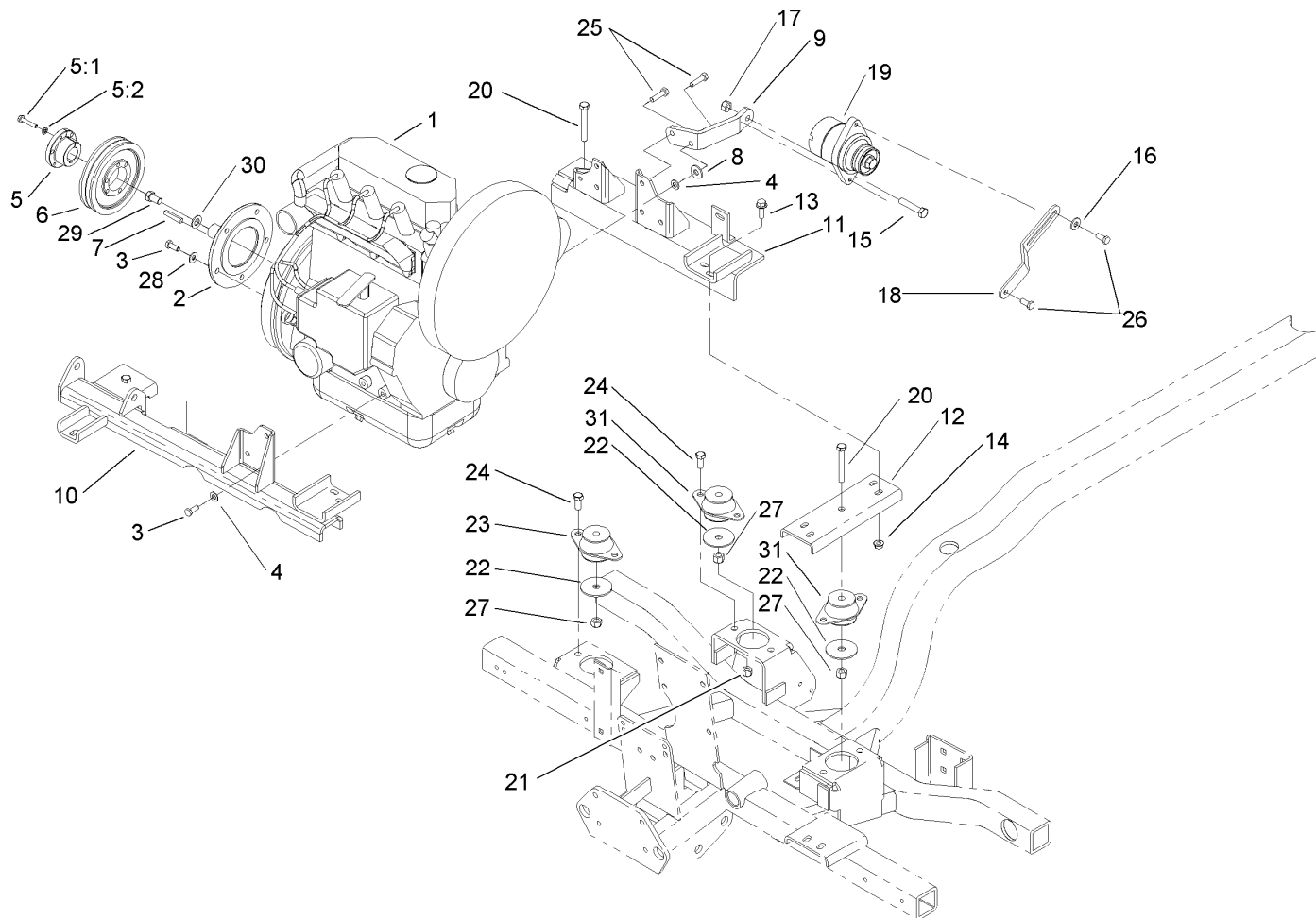
Ref.	Part Number	Qty.	Description	Ref.	Part Number	Qty.	Description
1		1	Tire And Wheel ASM ●	7	3220-3	2	Nut-HJ
1:1	106-8133	1	Rim-8 Inch	8	3255-2	1	Washer-Lock / EXT
1:2	99-4506	1	Tire	9	75-7730	1	Washer-Thrust
1:3	232-27	1	Stem-Valve	10	325-3	1	Screw-HH
2		1	Hub ASM ●	11	302-5	1	Fitting-Grease
2:1	241-119	1	Cap-Dust	12	93-0309	1	Washer-Tab
2:2	242-50	4	Nut-Lug	13	3220-7	1	Nut-Jam
2:3	253-129	1	Seal	14	93-0307	1	Nut-Lock, Retainer
2:4	254-94	2	Bearing-Cone, Tapered	15	3272-13	1	Pin-Cotter
2:5	80-6580	1	Hub	16		1	Steering Tube ASM ●
2:6	254-72	2	Bearing-Cup, Tapered	16:1		1	Steering Tube ●
2:7	10-6830	4	Stud-Type, Drive	16:1:1	21-0141	1	RH Ball Joint ASM
3	104-3966-03	1	2 Wheel Drive Hub ASM	16:1:2	21-0151	1	LH Ball Joint ASM
4	3296-23	4	Nut-Lock, NI	16:1:3	3220-12	1	Nut-HJ (LH Thread)
5	93-6782-01	1	Fork-Wheel, Rear	16:1:4	3220-5	1	Nut-Jam
6	3274-93	4	Screw-HSH	16:1:6	61-2070-03	1	Tube-Steering

● Not serviced separately



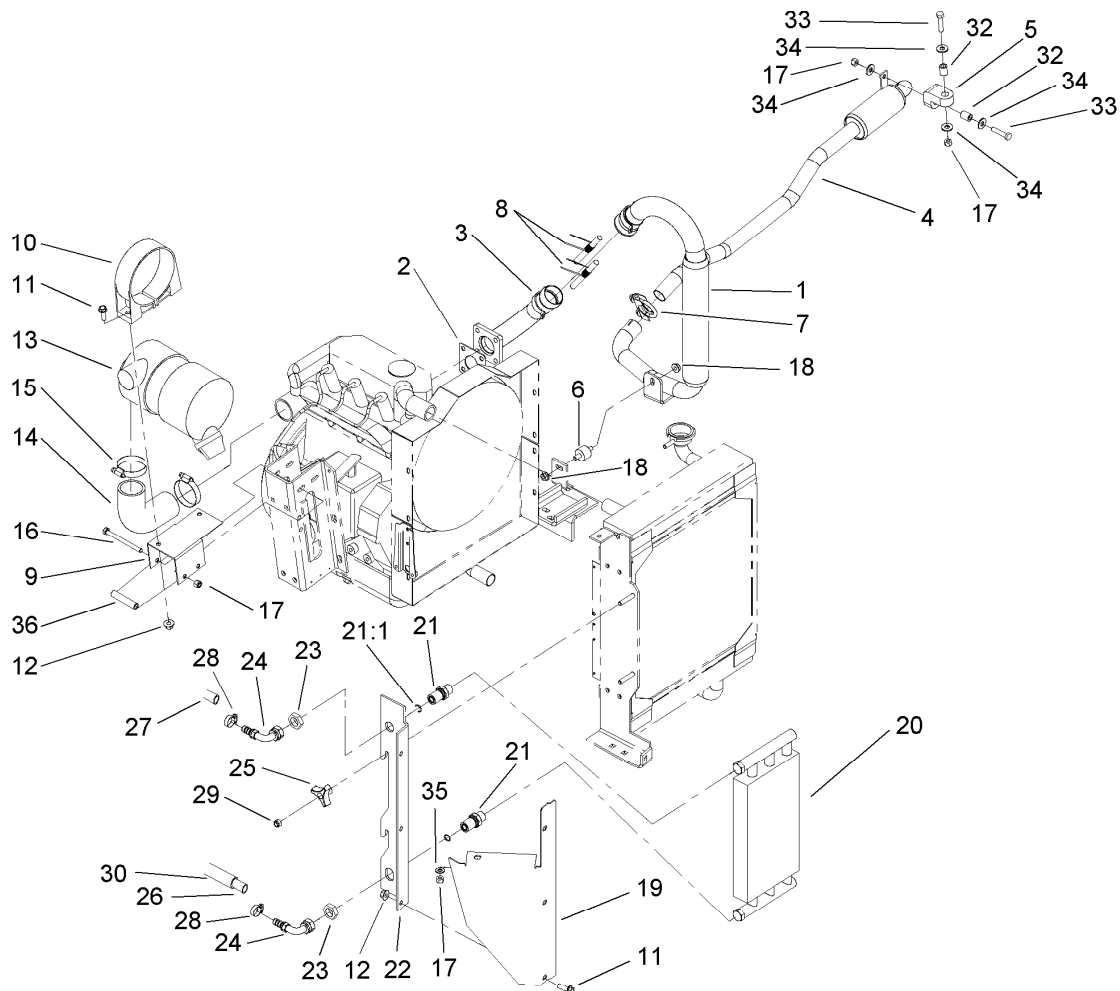
## Fuel Tank and Filter Assembly

Ref.	Part Number	Qty.	Description	Ref.	Part Number	Qty.	Description
1	110-8802	1	Hose-Fuel	18	83-9240	1	Bracket-Battery
2	2412-108	4	Clamp-Worm	19	322-5	2	Screw-HH
3	32128-44	4	Nut	20	63-7650	1	Separator-Filter / Water
4	110-4101	1	Hose-Fuel	20:1	63-8280	1	Head ASM
5	104-9979	1	Battery	20:2	63-8290	1	Vent-Air
6	104-4061	1	Cable-Battery, Pos	20:3	63-8300	1	Element-Spin On
7	94-5980	1	Cable-Battery, Neg	20:3:1	63-8310	1	Valve-Drain
8	56-2520	1	Fitting-Shut Off, Fuel	23	104-3947-01	1	Bracket-Filter, Fuel
9	2412-36	2	Clamp-Hose	24	353-783	1	Fitting-Straight
10	110-8803	1	Hose-Fuel	25	353-781	1	Fitting-Elbow
11	93-3102	1	Cap-Fuel	26	3290-509	1	Tie-Mount
12	83-8720	1	Tank-Fuel	27	63-8590	1	Screw
13	108-3281	1	Hose-Fuel	28	104-4028-01	1	Bracket-Stop
14	240-11	3	Bushing-Flange	29	3234-4	2	Screw-HHF
15	63-8410	3	Washer	30	32128-33	2	Nut-HF
16	323-5	3	Screw-HH	31	3256-3	1	Washer-Flat
17	3230-1	2	Bolt-CARR				



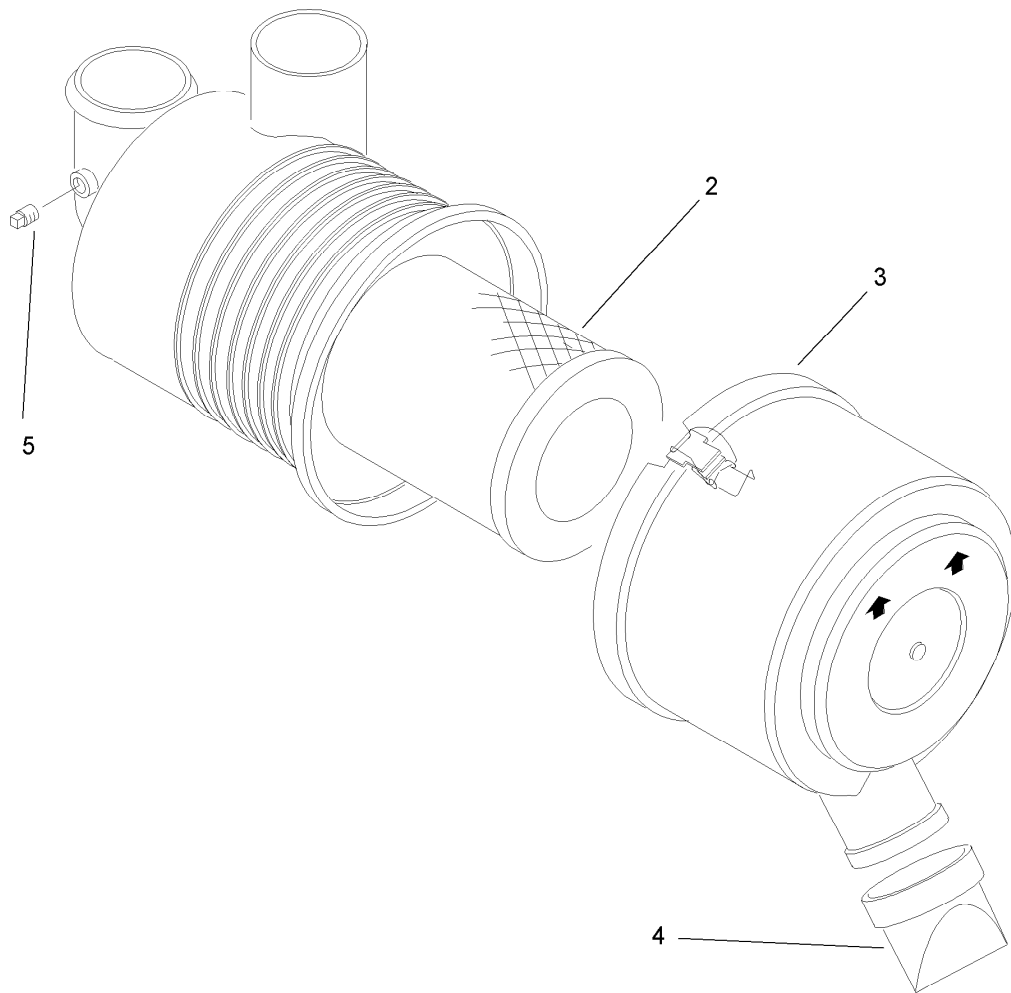
## Engine Assembly

<i>Ref.</i>	<i>Part Number</i>	<i>Qty.</i>	<i>Description</i>	<i>Ref.</i>	<i>Part Number</i>	<i>Qty.</i>	<i>Description</i>
1	104-3855	1	Engine-Diahatsu	17	33025-00	1	Nut-Lock, NI
2	104-3860-03	1	Shaft-Stub, Flywheel	18	93-2446	1	Bracket-Alternator, Lower
3	33114-020	16	Screw-HH	19	99-9209	1	Alternator
4	3256-23	12	Washer-Flat	20	324-11	3	Screw-HH
5	61-3340	1	Bushing	21	3296-39	6	Nut-Lock, NI
5:1	100-4208	3	Screw-HH	22	87-5100	3	Washer-Snubbing
5:2	100-4209	3	Washer-Lock / Sp	23	53-9681	1	Mount-Engine
6	100-4207	1	Sheave	24	323-5	6	Screw-HH
7	67-7490	1	Key-Square	25	33114-030	2	Screw-HH
8	80-6990	1	Washer-Hardened	26	33114-020	2	Screw-HH
9	93-2445	1	Bracket-Alternator, Upper	27	3296-48	3	Nut-Lock, NI
10	104-3869-03	1	Frame-Engine, Front	28	87-8640	5	Washer-Flat
11	104-3868-03	1	Frame-Engine, Rear	29	3212-2	1	Screw-HH
12	104-3870-03	1	Channel-Engine	30	3256-25	1	Washer-Flat
13	3234-29	4	Screw-HHF	31	53-9680	2	Mount-Engine
14	32128-20	4	Nut-HF	32	100-4208	3	Screw-HH
15	33115-050	1	Screw-HH	33	3253-3	3	Washer-Lock
16	3256-3	1	Washer-Flat	34	99-8153	1	Belt-V



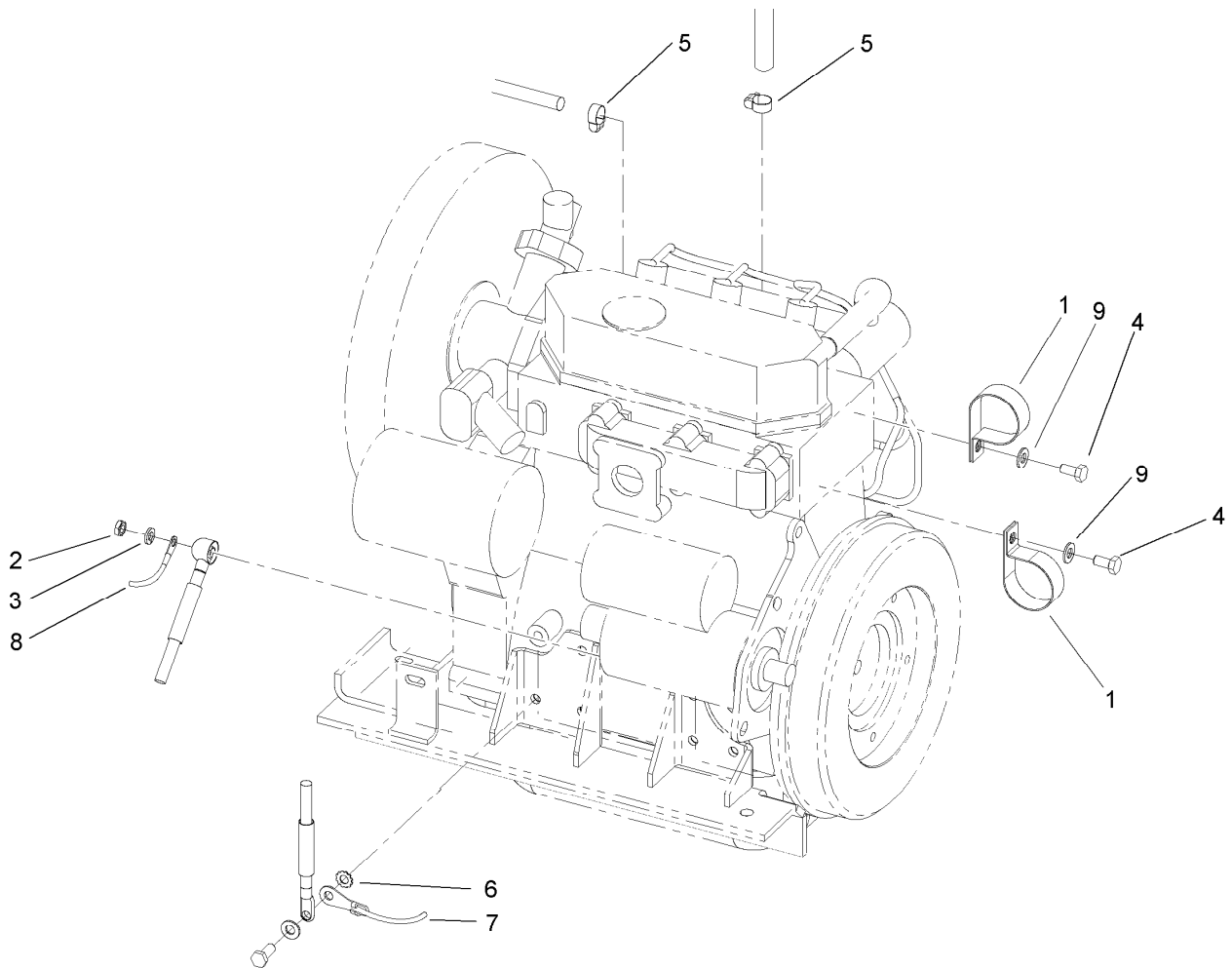
## Muffler, Air Cleaner and Oil Cooler Assembly

Ref.	Part Number	Qty.	Description	Ref.	Part Number	Qty.	Description
1	104-4034	1	Muffler	19	83-8210-03	1	Panel-Front, Left
2	99-9179	1	Gasket-Exhaust	20	93-6932	1	Cooler-Oil
3	104-4035	1	Header-Muffler	21	83-7970	2	Connector
4	104-4036	1	Tailpipe	21:1	237-30	1	O-Ring
5	95-5622	1	Hanger-Rubber	22	88-6730-03	1	Bracket-Screen, Front
6	104-4038	1	Isolator-Rubber	23	340-127	2	Nut-Bulkhead
7	104-4090	1	Clamp-Muffler	24	93-6803	2	Fitting-90 DEG
8	104-6478	2	Spring-Coupler, Exhaust	25	73-4740	2	Handle Knob
9	104-3884-03	1	Bracket-Cleaner, Air	26	104-4004	1	Hose
10	95-5806	1	Bracket-Mounting	27	93-6805	1	Hose
11	3234-17	5	Screw-HHF	28	2412-36	2	Clamp-Hose
12	32128-44	5	Nut	29	32153-3	2	Nut-Hex, Side Deform
13	93-2190	1	Air Cleaner ASM	30	93-6933	1	Sleeve-Protective
14	104-3908	1	Hose-Intake, Air	32	93-5023	2	Spacer
15	2412-130	2	Clamp-Hose	33	322-7	2	Screw-HH
16	322-23	2	Screw-HH	34	3256-3	4	Washer-Flat
17	3296-29	5	Nut-Lock, NI	35	3256-23	1	Washer-Flat
18	98-0668	2	Nut	36	106-8121	2	Spacer



## Air Cleaner Assembly No. 93-2190

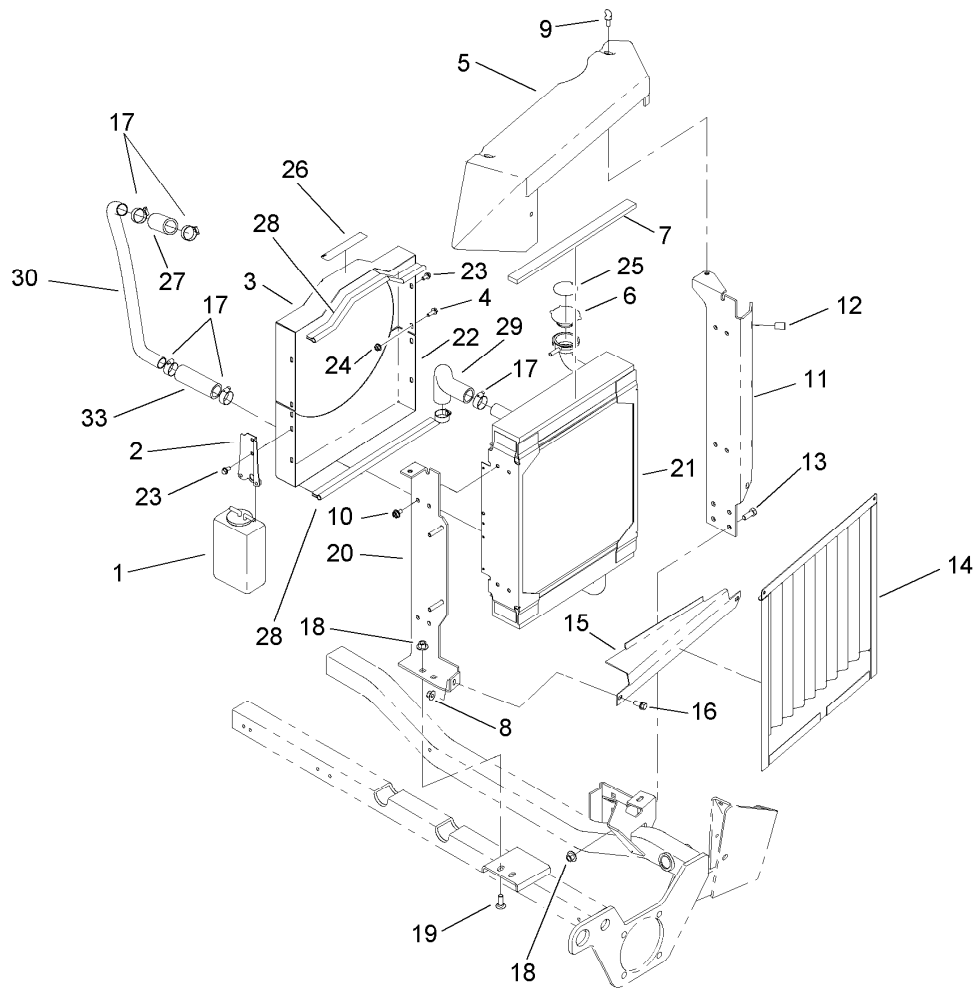
<i>Ref.</i>	<i>Part Number</i>	<i>Qty.</i>	<i>Description</i>
2	108-3811	1	Filter-Air
3	94-3652	1	Cover ASM
4	87-9400	1	Valve-Vacuator
5	285-17	1	Plug-Pipe



## Engine Installation Assembly

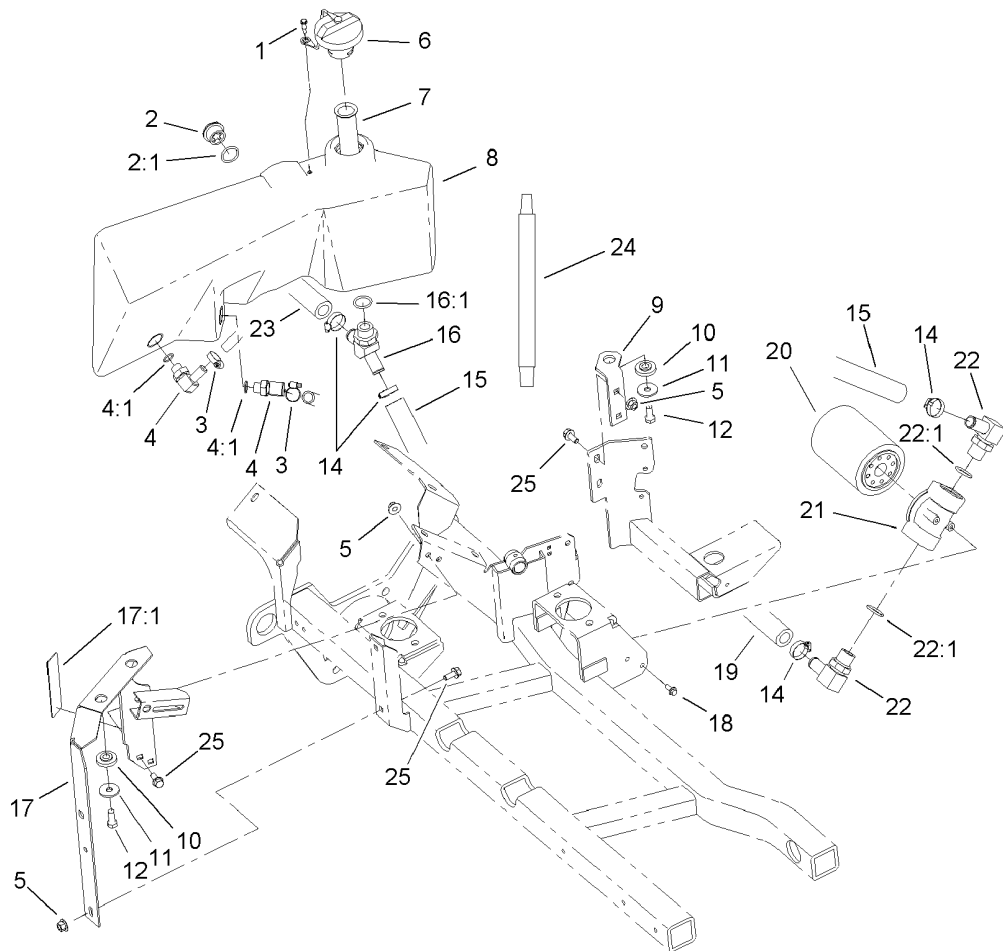
<i>Ref.</i>	<i>Part Number</i>	<i>Qty.</i>	<i>Description</i>
1	2412-96	2	Clamp-R
2	57-6390	1	Nut-Jam
3	3253-4	1	Washer-Lock
4	33114-016	2	Screw-HH
5	2412-108	2	Clamp-Worm
6	3255-8	1	Washer-Lock
7	104-3986	1	Harness-Wire, Engine
7:1	100-4918	1	Diode ●
8	99-3441	1	Harness-Wire, Fusible Link
9	3256-23	2	Washer-Flat

● Not illustrated



## Radiator Assembly

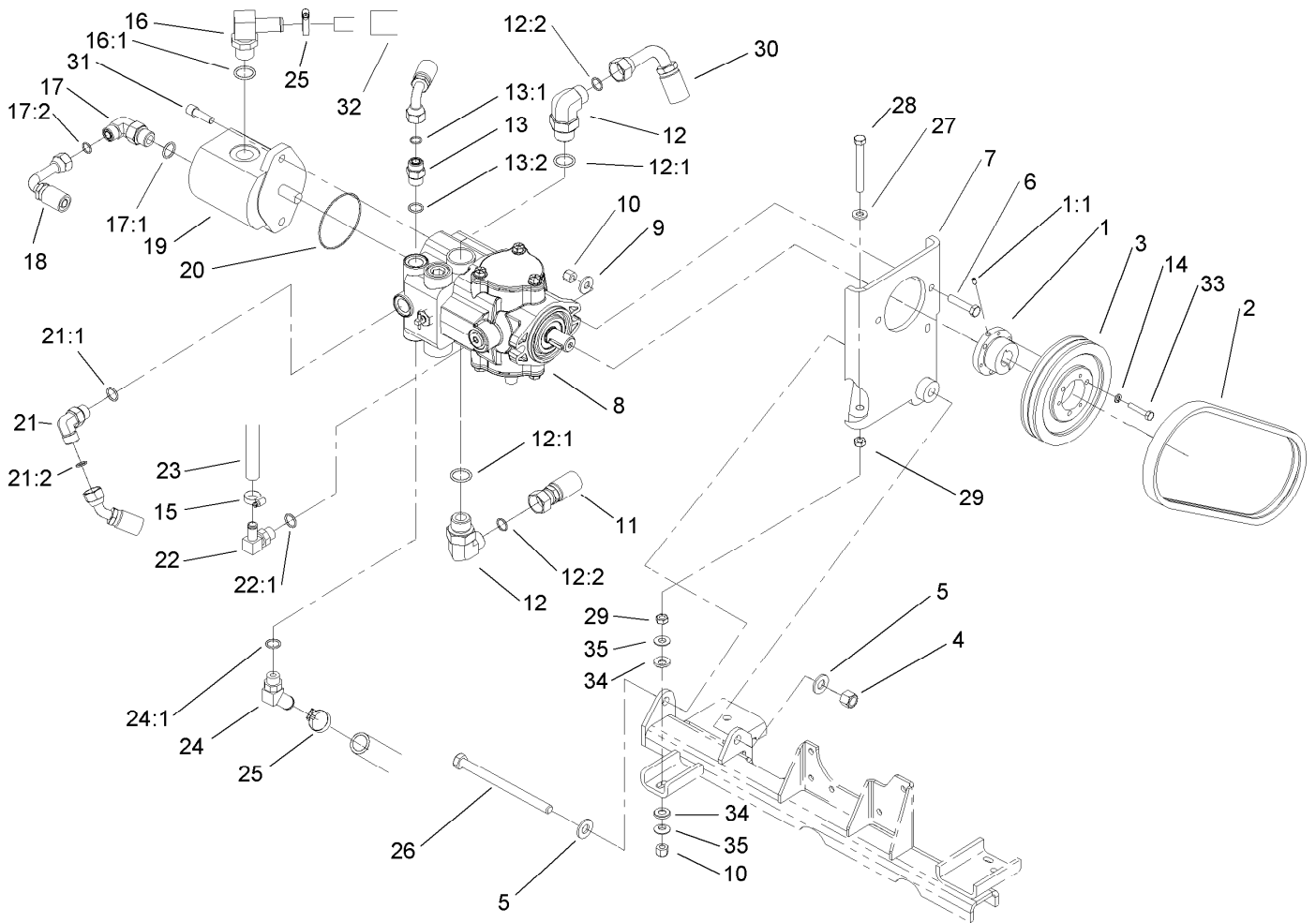
<i>Ref.</i>	<i>Part Number</i>	<i>Qty.</i>	<i>Description</i>	<i>Ref.</i>	<i>Part Number</i>	<i>Qty.</i>	<i>Description</i>
1	104-3930	1	Tank-Radiator, Surge	17	2412-34	6	Clamp-Hose
2	104-3931	1	Mounting-Tank, Surge	18	32128-43	6	Nut-Flange
3	104-3944-03	1	Shroud-Radiator, Top	19	3231-22	2	Screw-CARR
4	3234-4	2	Screw-HHF	20	104-4008-03	1	Front Radiator Bracket ASM
5	83-8040	1	Cover-Left	21	104-3861	1	Radiator ASM
6	66-3240	1	Cap-Radiator	22	104-3945-03	1	Shroud-Radiator, Bottom
7	83-9030	1	Foam-Top	23	32104-116	7	Screw
8	32128-44	3	Nut	24	32128-33	2	Nut-HF
9	104-4000	2	Screw-Thumb	25	106-5976	1	Decal-Warning
10	3234-28	8	Screw-HHF	26	93-7272	1	Decal-Warning
11	104-4006-03	1	Rear Radiator Bracket ASM	27	104-3912	1	Hose-Radiator
12	32148-8	3	Insert-Threaded	28	104-4029	2	Seal-Bulb
13	323-6	4	Screw-HH	29	104-3911	1	Hose-Radiator, Top
14	83-8150-03	1	Screen ASM	30	104-3914-03	1	Tube-Radiator
15	83-8070-03	1	Shield-Radiator, Bottom	33	104-4068	1	Hose-Radiator
16	3234-5	2	Screw-HHF				



## Hydraulic Tank and Filter Assembly

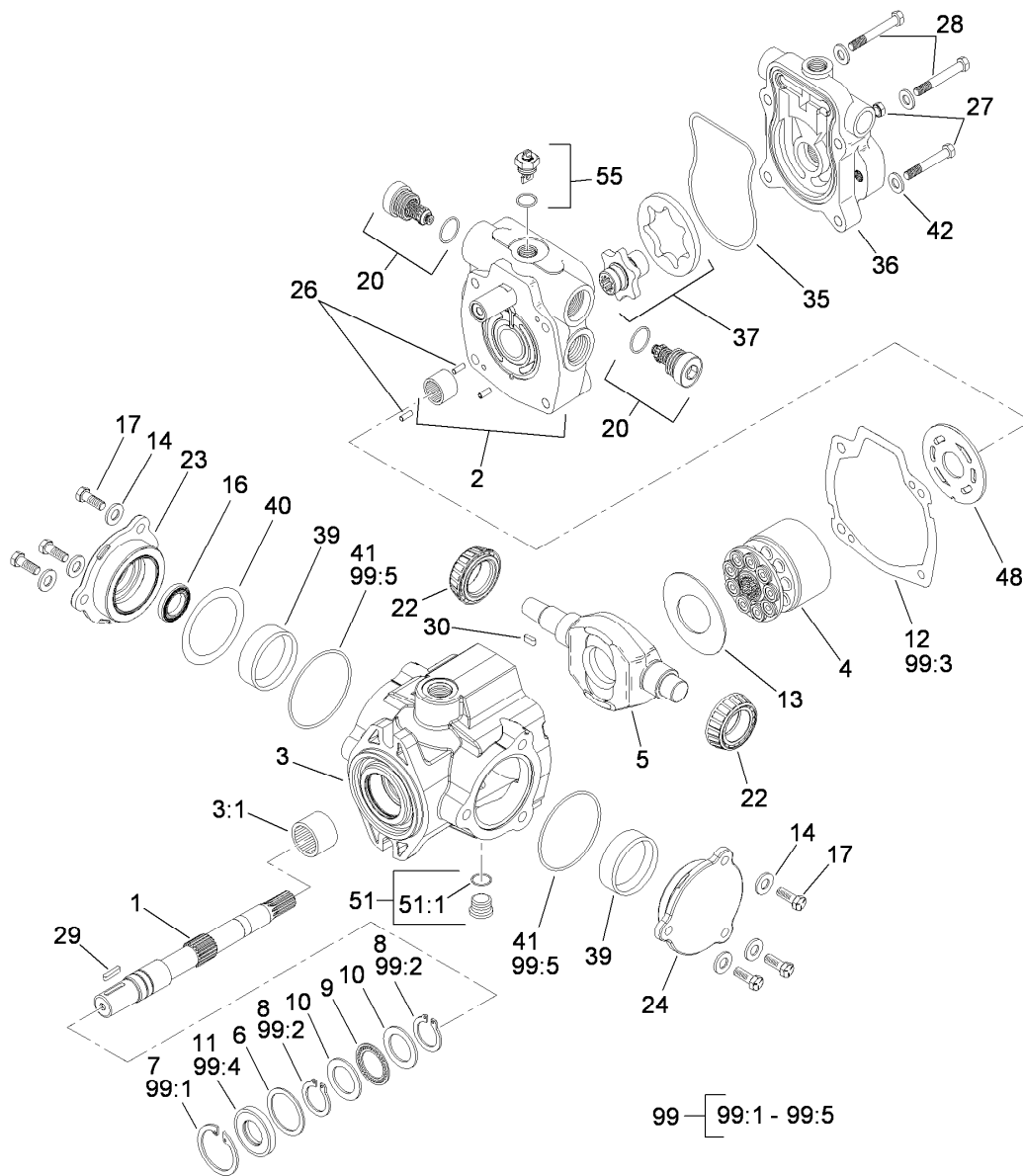
<i>Ref.</i>	<i>Part Number</i>	<i>Qty.</i>	<i>Description</i>
1	57-5420	1	Screw-Shoulder
2	69-1170	1	Glass-Sight
2:1	237-81	1	O-Ring
3	2412-36	2	Clamp-Hose
4	106-8108	2	Fitting-HYD, 90 DEG
4:1	237-65	1	O-Ring
5	32128-44	5	Nut
6	93-7160	1	Cap-Oil, HYD
7	61-2790	1	Filter-Screen
8	106-8110	1	Tank-HYD
9	83-9920	1	Bracket-Tank, HYD
10	240-11	3	Bushing-Flange
11	63-8410	3	Washer
12	323-5	3	Screw-HH
14	2412-34	4	Clamp-Hose

<i>Ref.</i>	<i>Part Number</i>	<i>Qty.</i>	<i>Description</i>
15	104-4089	1	Hose-Suction
16	93-6794	1	Fitting-45 DEG
16:1	237-81	1	O-Ring
17	104-3980	1	U-Bracket ASM
17:1	67-5360	1	Decal-Danger
18	3234-33	2	Screw-HHF
19	104-4011	1	Hose-Suction
20	54-0110	1	Filter-Oil, Transmission
21	68-8990	1	Filter Head ASM
22	353-987	2	Fitting-HYD, 90
22:1	237-81	1	O-Ring
23	93-6857	1	Hose-Suction
24	88-9220	1	Plug-Reservoir
25	3234-5	5	Screw-HHF



## Hydraulic Pump Assembly

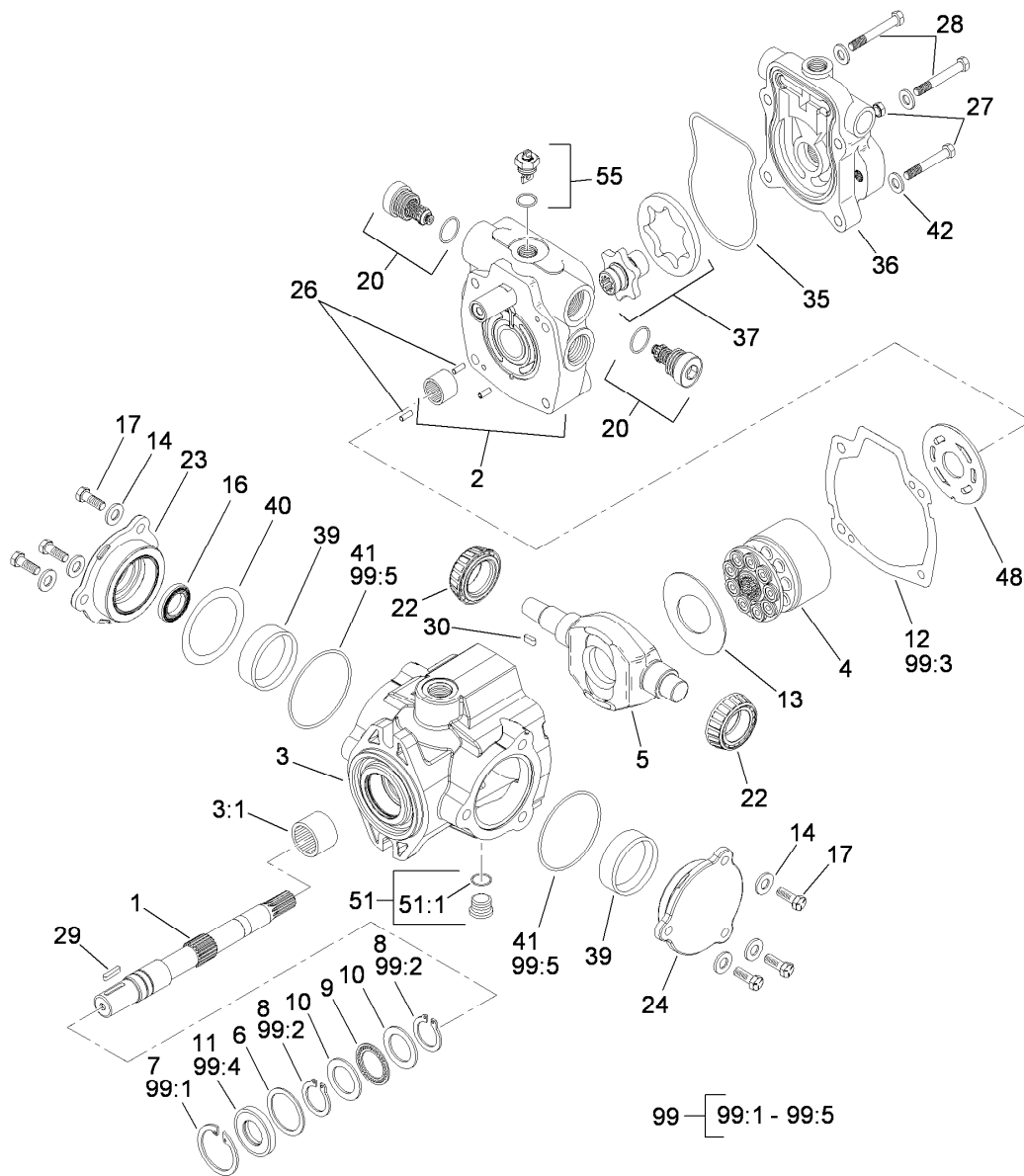
Ref.	Part Number	Qty.	Description	Ref.	Part Number	Qty.	Description
1	93-6842	1	Bushing-Lock, Taper	17:2	237-30	1	O-Ring
1:1	3245-36	1	Screw-Set, HSH	18	104-4003	1	Hose ASM
2	93-6840	1	V-Belt	19	99-6131	1	Pump-Drive, Reel
3	93-6841	1	Pulley	20	353-949	1	O-Ring
4	3296-23	1	Nut-Lock, NI	21	340-98	1	Fitting-HYD, 90 DEG
5	87-7270	2	Washer-Thrust	21:1	237-79	1	O-Ring
6	323-9	2	Screw-HH	21:2	237-30	1	O-Ring
7	104-3898-03	1	Pump Support ASM	22	93-6795	1	Fitting-90 DEG
8	104-3874	1	HYD Piston Pump ASM	22:1	237-79	1	O-Ring
9	80-6990	2	Washer-Hardened	23	104-4059	1	Hose-Return
10	3296-39	3	Nut-Lock, NI	24	93-6848	1	Fitting-HYD
11	104-3999	1	Hose ASM	24:1	237-79	1	O-Ring
12	340-139	2	Fitting-HYD, 90 DEG	25	2412-34	2	Clamp-Hose
12:1	237-81	1	O-Ring	26	325-33	1	Screw-HH
12:2	237-65	1	O-Ring	27	100-4852	1	Washer-Hardened
13	340-4	1	Fitting-HYD, Straight	28	323-49	1	Bolt-TAP
13:1	237-30	1	O-Ring	29	3217-7	2	Nut-Hex
13:2	237-79	1	O-Ring	30	104-3998	1	Hose ASM
14	3253-3	3	Washer-Lock	31	3274-7	2	Screw-HSH
15	2412-36	1	Clamp-Hose	32	94-3688	1	Sleeve-Protective
16	353-987	1	Fitting-HYD, 90	33	321-13	3	Screw-HH
16:1	237-81	1	O-Ring	34	104-4067	2	Washer
17	340-105	1	Fitting-HYD, 90 DEG	35	104-4066	2	Washer
17:1	237-80	1	O-Ring				



## Hydraulic Pump Assembly No. 104-3874

Ref.	Part Number	Qty.	Description	Ref.	Part Number	Qty.	Description
1	94-3642	1	Shaft-Drive	23	98-4645	1	Plate-Cover
2	104-4047	1	Endcover ASM	24	98-4644	1	Plate-Cover
3	100-3176	1	Housing ASM	26	76-6150	2	Pin-Dowel
3:1	94-6363	1	Bearing	27	104-4042	2	Screw-Cap
4	76-6070	1	Rotating Kit	28	104-4043	2	Screw-Cap
5	100-3175	1	Camplate	29	94-3645	1	Key
6	33-3720	1	Washer	30	94-3646	1	Key
7	32151-13	1	Ring-Retaining	35	104-4044	1	O-Ring
8	32151-29	2	Ring-Retaining	36	104-4045	1	Charge Pump Adapter ASM
9	252-66	1	Bearing-Thrust	37	94-3648	1	Gerotor And Coupler ASM
10	252-71	2	Washer-Thrust	39	104-4046	2	Bearing-Cup
11	104-4861	1	Seal-Shaft	40	100-3182	2	Shim Kit
12	33-4930	1	Gasket-Housing	41	100-3179	2	O-Ring
13	98-4635	1	Insert-Plate, Cam	42	104-4048	4	Washer
14	105-9762	6	Washer	48	104-4049	1	Plate-Valve
16	76-6190	1	Seal-Shaft	51	74-9280	1	Plug ASM
17	98-4640	6	Screw-Cap	51:1		1	O-Ring ●
20	105-3812	2	Valve-Check	55	105-3811	1	Valve-Bypass
22	98-4639	2	Bearing-Cone	99	104-4868	1	Seal Repair Kit

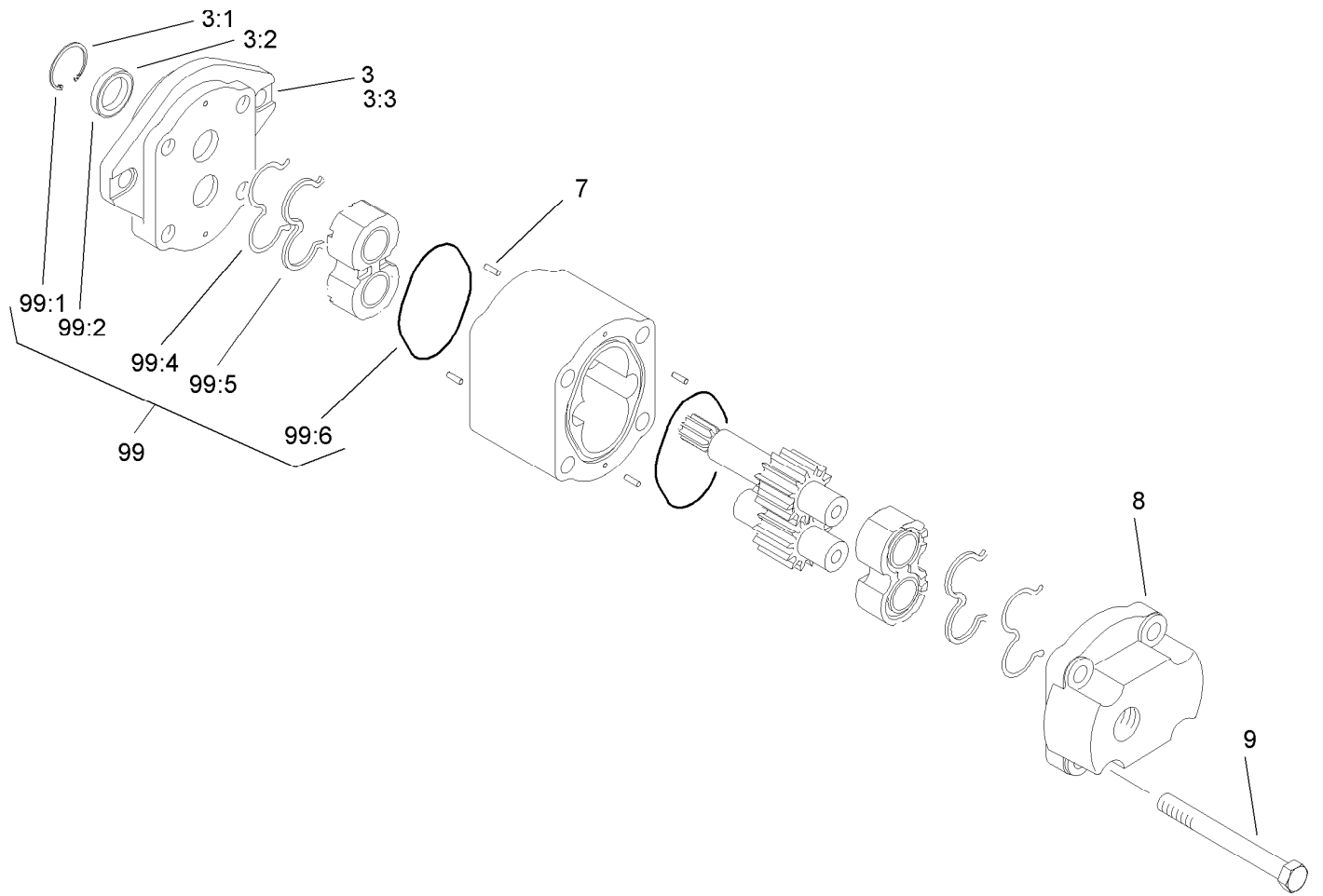
● Not serviced separately



## Hydraulic Pump Assembly No. 104-3874 (continued)

<i>Ref.</i>	<i>Part Number</i>	<i>Qty.</i>	<i>Description</i>	<i>Ref.</i>	<i>Part Number</i>	<i>Qty.</i>	<i>Description</i>
99:1	32151-13	1	Ring-Retaining	99:4	104-4861	1	Seal-Shaft
99:2	32151-29	1	Ring-Retaining	99:5	100-3179	1	O-Ring
99:3	33-4930	1	Gasket-Housing				

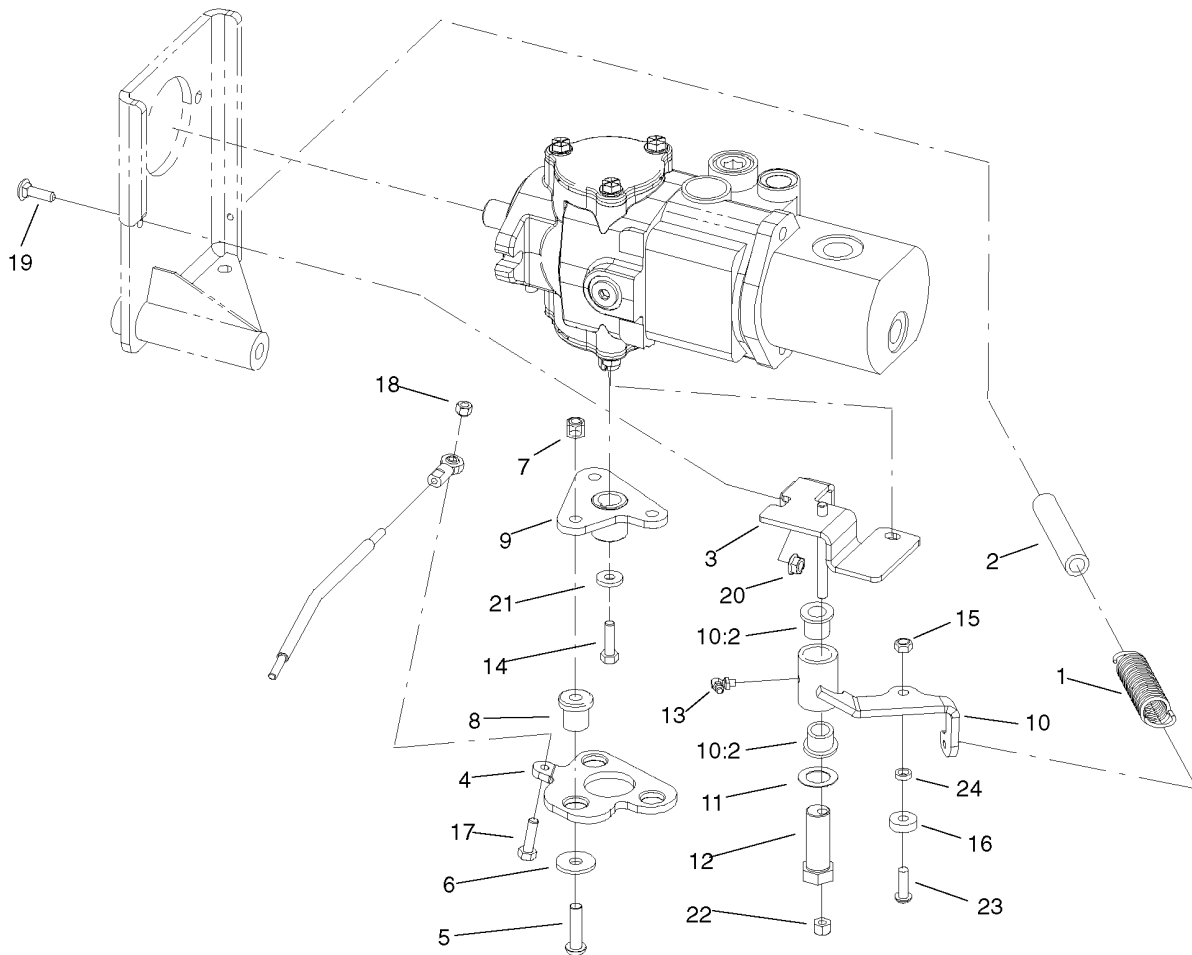
● Not serviced separately



## Gear Pump Assembly No. 99-6131

<i>Ref.</i>	<i>Part Number</i>	<i>Qty.</i>	<i>Description</i>
3	93-4268	1	Flange Kit
3:1		1	Ring-Retaining ●
3:2		1	Seal-Shaft ●
3:3		1	Flange ●
7	94-3625	4	Pin-Dowel
8	94-3626	1	Cover-End
9	94-3639	4	Screw-HH
99	99-6132	1	Seal Kit
99:1		1	Ring-Retaining ●
99:2		2	Seal-Shaft ●
99:4		2	Seal-E ●
99:5		2	Ring-Backup ●
99:6		2	Seal-Dust ●

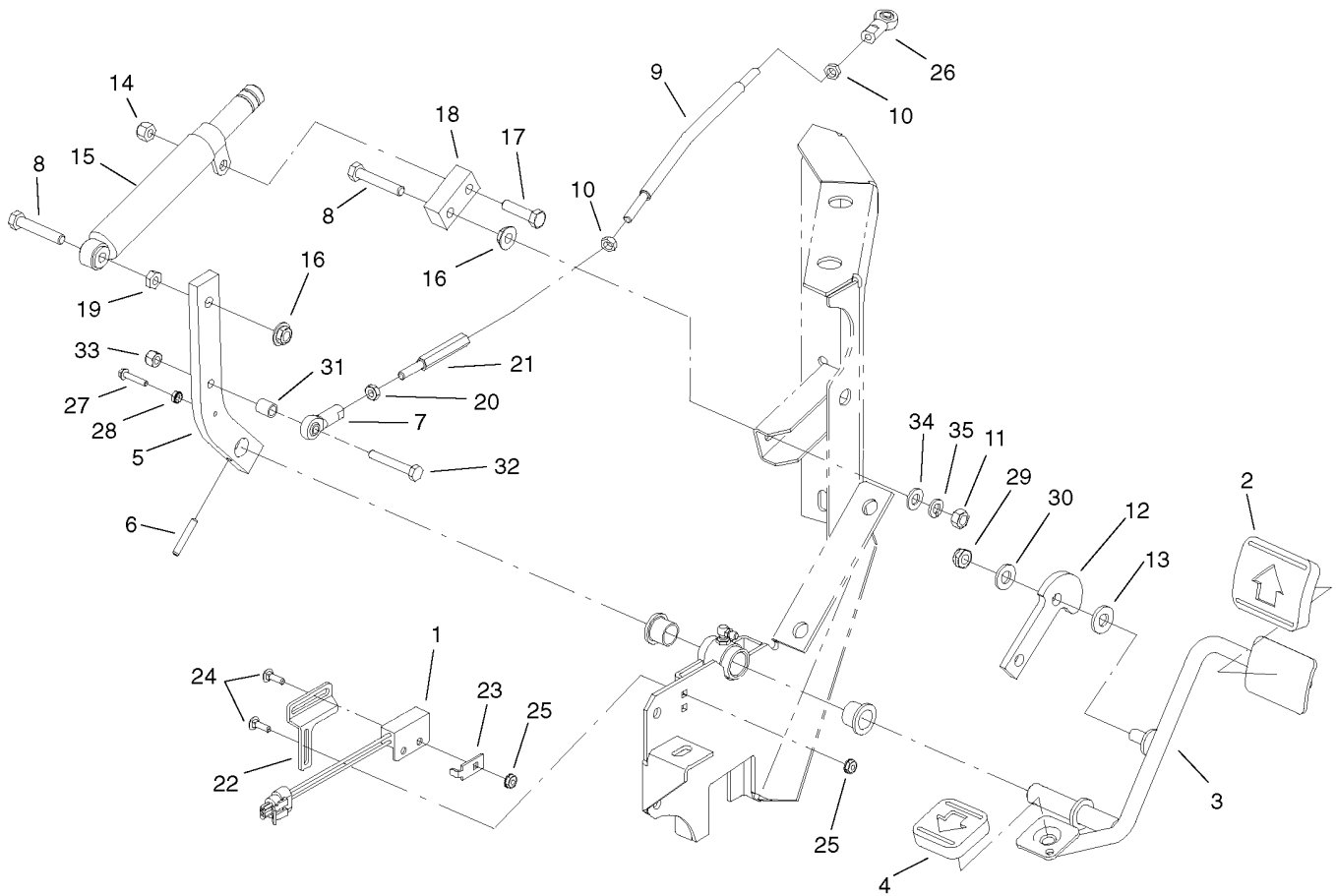
● Not serviced separately



## Pump Mount Assembly

<i>Ref.</i>	<i>Part Number</i>	<i>Qty.</i>	<i>Description</i>
1	94-1369	1	Spring-Extension
2	99-3556	1	Hose
3	104-3918-03	1	Bracket ASM
4	104-3917-03	1	Lever-Pump
5	95-3857	3	Screw-HSBH
6	2844	3	Washer
7	3296-39	3	Nut-Lock, NI
8	63-9750	3	Mount
9	99-3598-03	1	Hub ASM
10	104-0422	1	Neutral Arm ASM
10:2	256-113	2	Bushing-Flange
11	3-6498	1	Washer-Thrust
12	76-8640	1	Stud-Traction

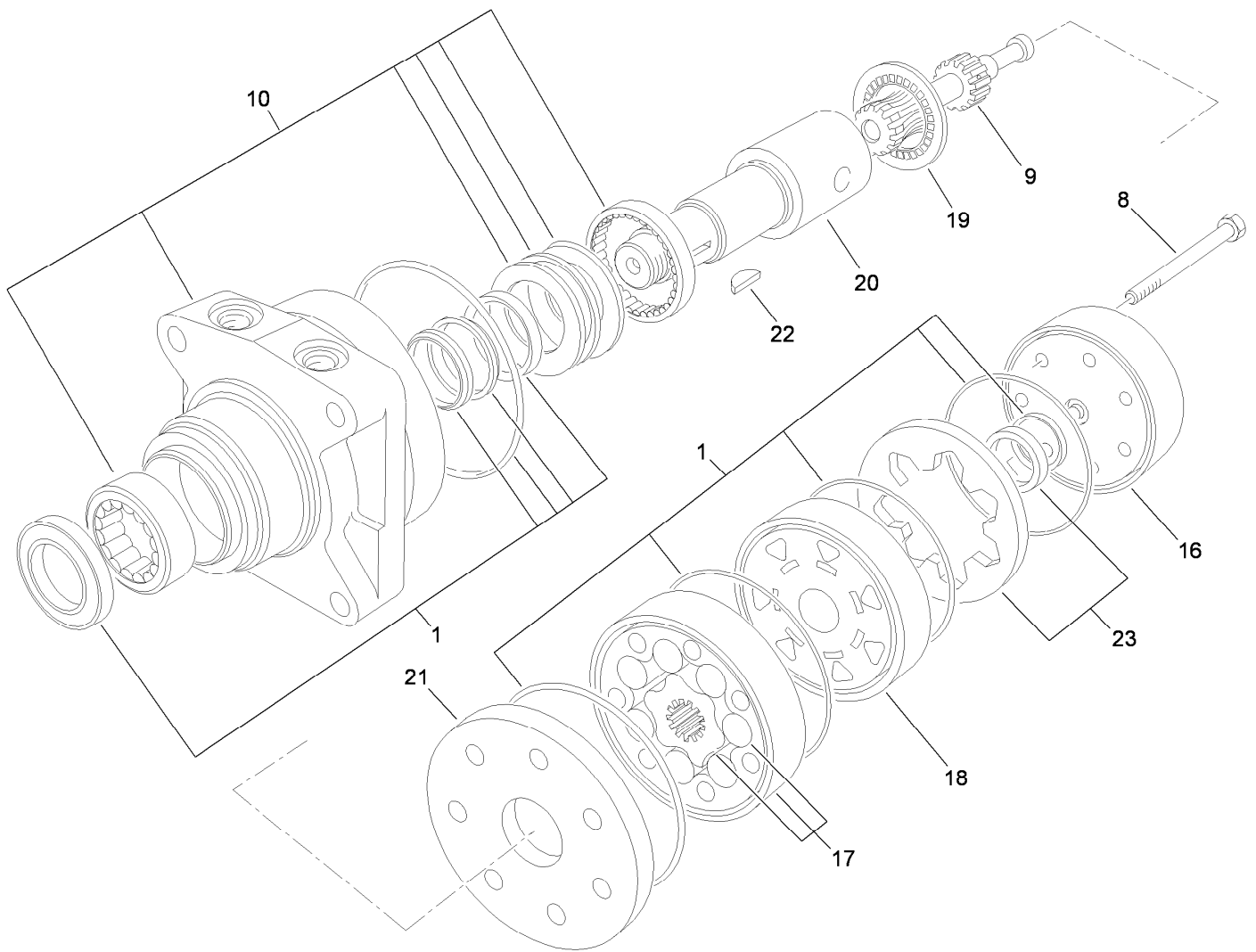
<i>Ref.</i>	<i>Part Number</i>	<i>Qty.</i>	<i>Description</i>
13	302-60	1	Fitting-Grease
14	3210-6	1	Screw-HH
15	3296-47	1	Nut-Lock, NI
16	251-259	1	Bearing-Ball
17	321-6	1	Screw-HH
18	3296-42	1	Nut-Lock, NI
19	3230-22	1	Screw-CARR
20	32128-20	1	Nut-HF
21	88-7200	1	Washer-Flat
22	3296-29	1	Nut-Lock, NI
23	3274-104	1	Screw-HSBH
24	100-4817	1	Spacer-Bearing



## Traction Control Assembly

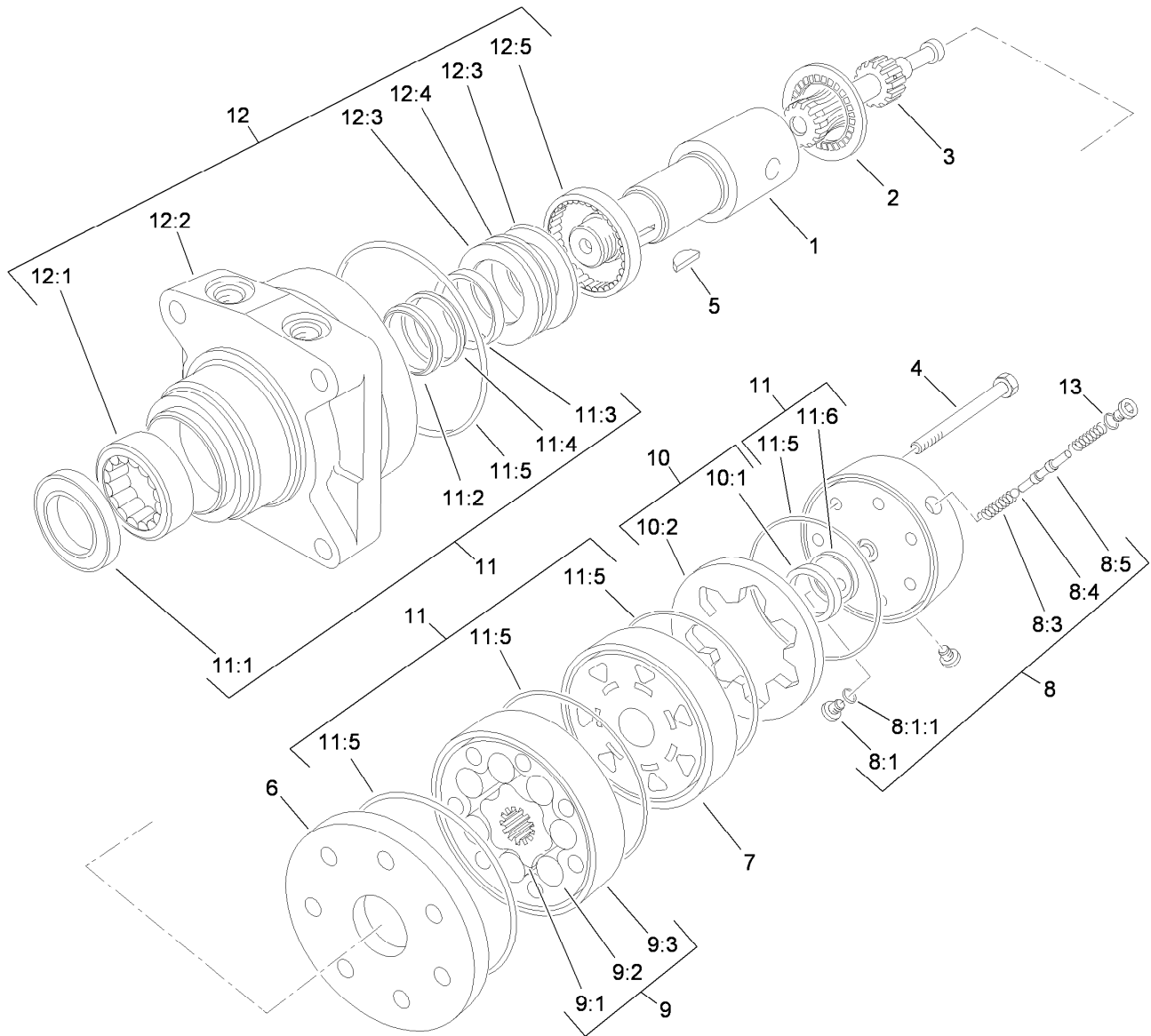
<i>Ref.</i>	<i>Part Number</i>	<i>Qty.</i>	<i>Description</i>	<i>Ref.</i>	<i>Part Number</i>	<i>Qty.</i>	<i>Description</i>
1	105-0023	1	Switch-Proximity	19	3218-2	1	Nut-Jam
2	74-9100	1	Pad-Pedal, Forward	20	104-3941	1	Nut-Jam
3	104-3938-03	1	Traction Pedal ASM	21	104-3978	1	Nut-Rod
4	74-9110	1	Pad-Pedal, Reverse	22	104-3979	1	Bracket-Switch
5	104-3939	1	Arm-Traction	23	100-4872	1	Plate-Switch, Neutral
6	32121-6	1	Pin-Roll, Slotted	24	3229-34	3	Screw-CARR
7	104-4013	1	Joint-Ball, LH	25	32149-7	3	Nut-Keps
8	322-9	2	Screw-HH	26	2411-41	1	Rod End-Ball Joint
9	104-3977	1	Rod-Control, Pump	27	32105-29	1	Screw-SHWH
10	3220-1	2	Nut-Jam	28	32149-9	1	Nut-Hex,Keps
11	3217-6	1	Nut-Hex	29	3296-59	1	Nut-Lock, NI
12	74-6110	1	Stop-Traction	30	3256-24	1	Washer-Flat
13	66-2920	1	Washer-Friction	31	93-6859	1	Spacer
14	3296-29	1	Nut-Lock, NI	32	321-10	1	Screw-HH
15	76-8870	1	Lever Damper ASM	33	3296-42	1	Nut-Lock, NI
16	32128-44	2	Nut	34	3256-23	1	Washer-Flat
17	322-6	1	Screw-HH	35	3253-4	1	Washer-Lock
18	76-9760	1	Damper-Pivot				





## Hydraulic Motor Assembly No. 75-9990

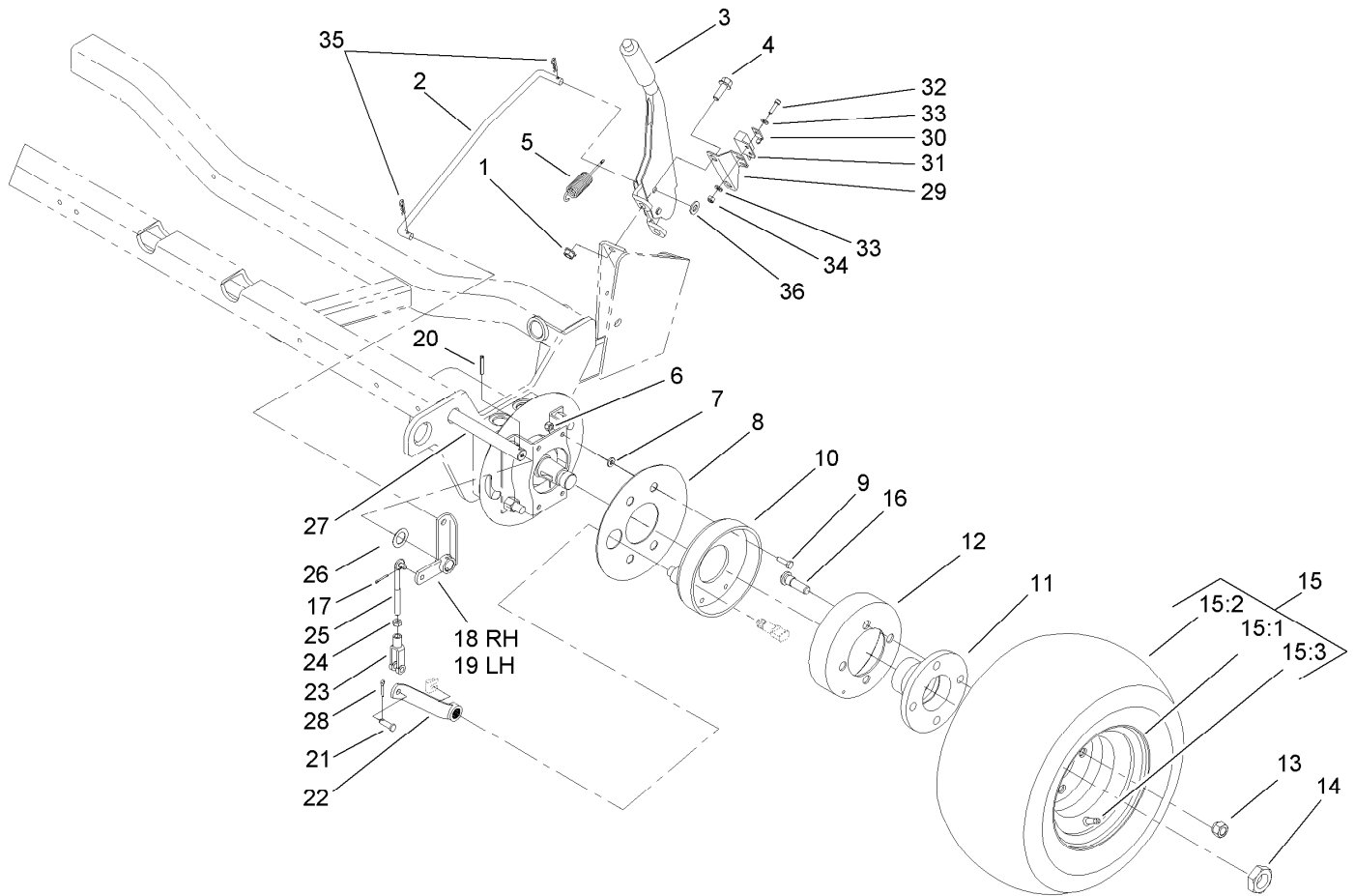
Ref.	Part Number	Qty.	Description
1	76-0800	1	Seal Kit
8	76-1010	7	Screw
9	76-0960	1	Link-Drive
10	76-0810	1	Housing ASM
16	76-0940	1	End Cover ASM
17	76-0970	1	Rotor Set
18	76-0840	1	Manifold
19	76-0850	1	Bearing-Thrust
20	76-0860	1	Shaft-Coupling
21	76-0870	1	Plate-Wear
22	3257-42	1	Key-Woodruff
23	76-0880	1	Commutator ASM



## Hydraulic Motor Assembly No. 93-6888

Ref.	Part Number	Qty.	Description	Ref.	Part Number	Qty.	Description
1	76-0860	1	Shaft-Coupling	10	76-0880	1	Commutator ASM
2	76-0850	1	Bearing-Thrust	10:1		1	Commutator ●
3	76-0960	1	Link-Drive	10:2		1	Ring-Commutator ●
4	94-3662	7	Screw-Cap, HH	11	94-8178	1	Seal Kit
5	3257-42	1	Key-Woodruff	11:1		1	Seal-Dirt And Water ●
6	76-0870	2	Plate-Wear	11:2		1	Backup-Ring ●
7	76-0840	1	Manifold	11:3		1	Seal-Shaft ●
8	76-0890	1	End Cover ASM	11:4		1	Washer-Backup ●
8:1	353-990	2	Plug	11:5		5	Seal-Square, Ring (Inner) ●
8:1:1	237-78	1	O-Ring	11:6		1	Seal-Commutator ●
8:3		2	Spring ●	12	76-0810	1	Housing ASM
8:4		1	Ball ●	12:1		1	Bearing ●
8:5		1	Valve-Shuttle ●	12:2		1	Housing ●
9	76-0970	1	Rotor Set	12:3		2	Washer-Thrust ●
9:1		1	Rotor ●	12:4		1	Bearing-Thrust ●
9:2		7	Vane ●	12:5		1	Bearing ●
9:3		1	Stator ●	13	237-78	2	O-Ring

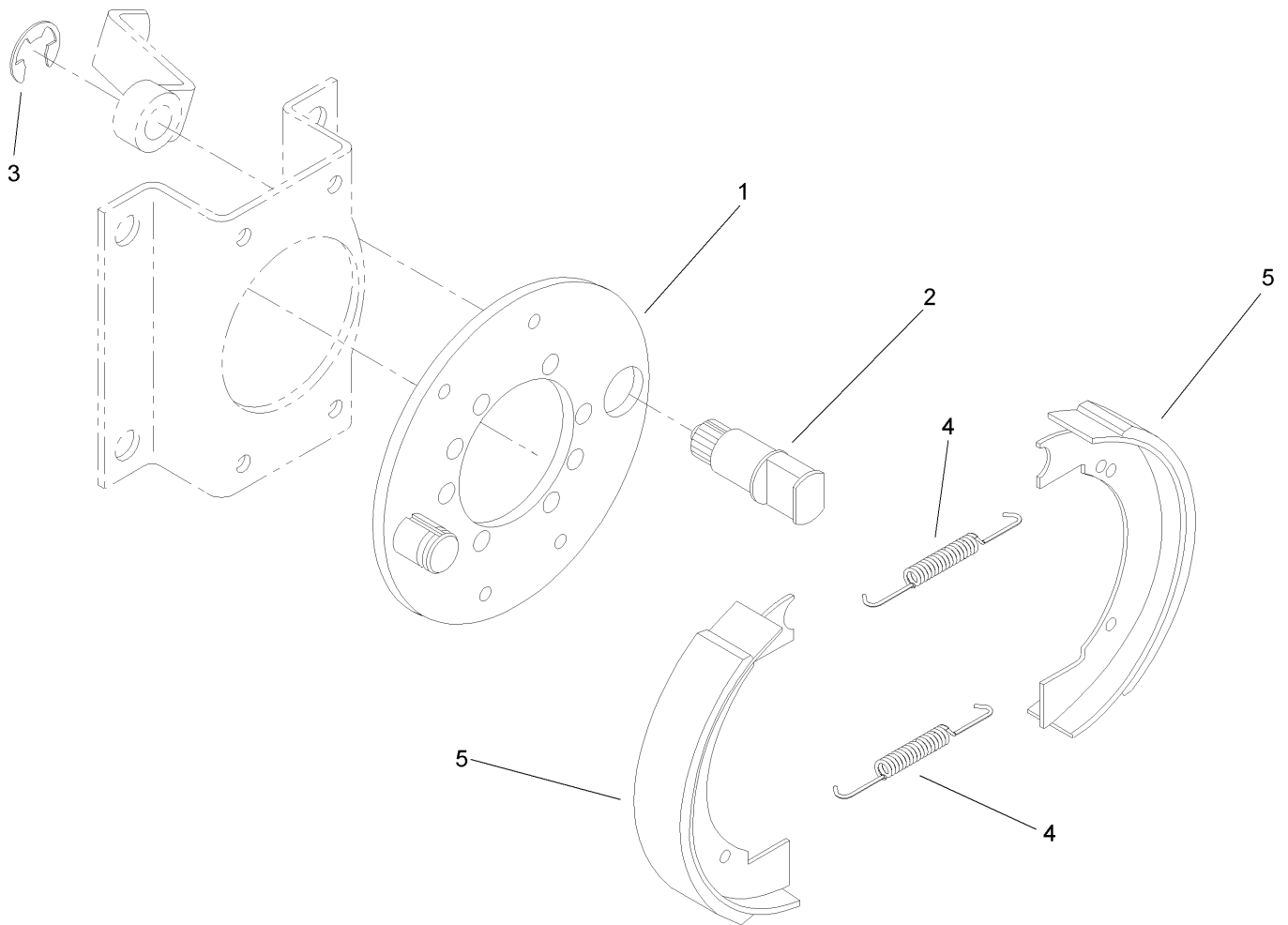
● Not serviced separately



## Front Wheel and Brake Assembly

Ref.	Part Number	Qty.	Description	Ref.	Part Number	Qty.	Description
1	3290-357	2	Nut-HHF, Whiz	18	83-9310	1	RH Brake Lever ASM
2	104-3907	1	Rod-Brake	19	104-3928	1	LH Brake Lever ASM
3	104-3903	1	Lever-Brake, Parking	20	32121-6	2	Pin-Roll, Slotted
4	3234-11	2	Screw-HHF	21	283-1	2	Pin-Clevis
5	104-4010	1	Spring-Extension	22	93-6850	2	Lever-Brake
6	3296-42	8	Nut-Lock, NI	23	282-2	2	Yoke
7	3256-16	8	Washer-Flat	24	3220-2	2	Nut-Jam
8	83-9340	2	Shield-Brake, Grass	25	84-1990	2	Rod-Adjusting
9	321-5	8	Screw-HH	26	3-6498	2	Washer-Thrust
10	104-7705	2	Brake ASM	27	83-9330	1	Shaft-Brake
11	93-6838-03	2	Hub-Wheel	28	3272-10	2	Pin-Cotter
12	10-6850	2	Drum-Brake	29	104-4052-03	1	Bracket-Switch, Brake
13	242-50	8	Nut-Lug	30	100-4872	1	Plate-Switch, Neutral
14	26-3790	2	Nut-Lock	31	100-1270	1	Switch-Proximity
15		2	Front Tire / Wheel ASM ●	32	3274-14	1	Screw-HSH
15:1	93-6881	1	Rim ASM	33	3256-14	2	Washer-Flat
15:2	99-4506	1	Tire	34	3296-2	1	Nut-Lock, NI
15:3	232-27	1	Stem-Valve	35	3290-307	2	Pin-Hair
16	85-6540	8	Stud-Drive	36	3256-24	3	Washer-Flat
17	3272-6	2	Pin-Cotter				

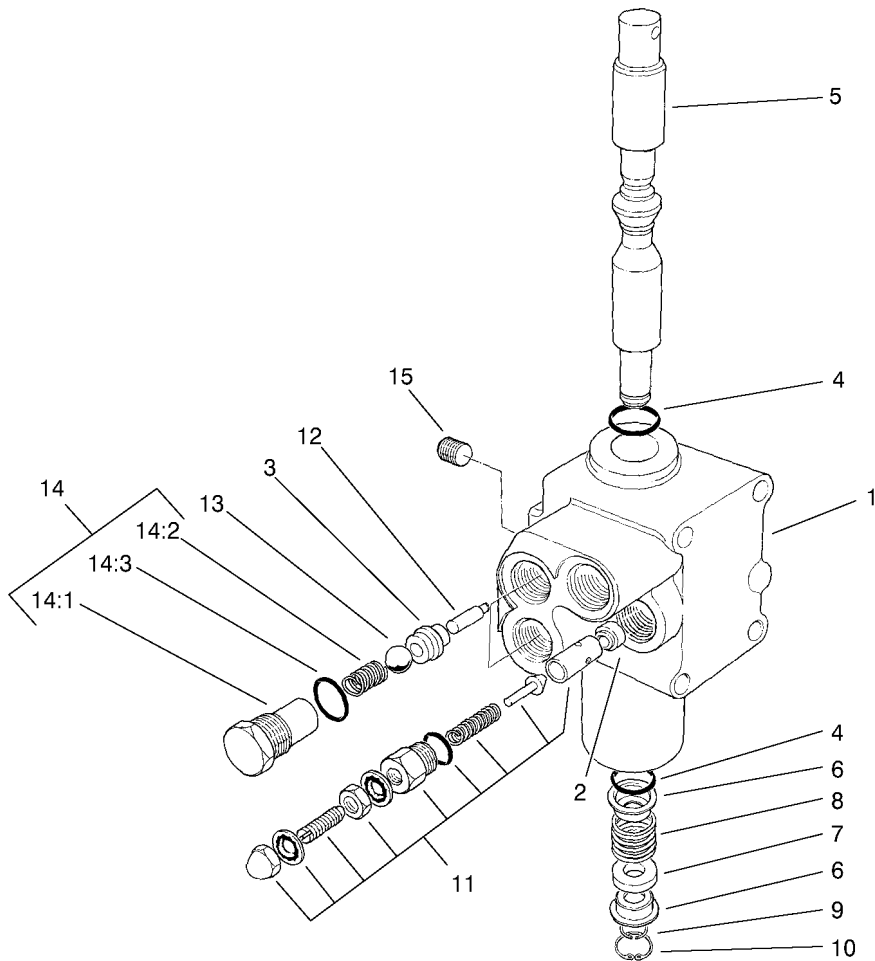
● Not serviced separately



## Brake Assembly No. 104-7705

<i>Ref.</i>	<i>Part Number</i>	<i>Qty.</i>	<i>Description</i>
1	70-9870	1	Plate-Backing
2	104-7707	1	Shaft-Cam, Brake
3	104-7706	1	E-Ring, Bowed
4	70-9880	2	Spring-Return
5	70-9840	2	Shoe-Brake

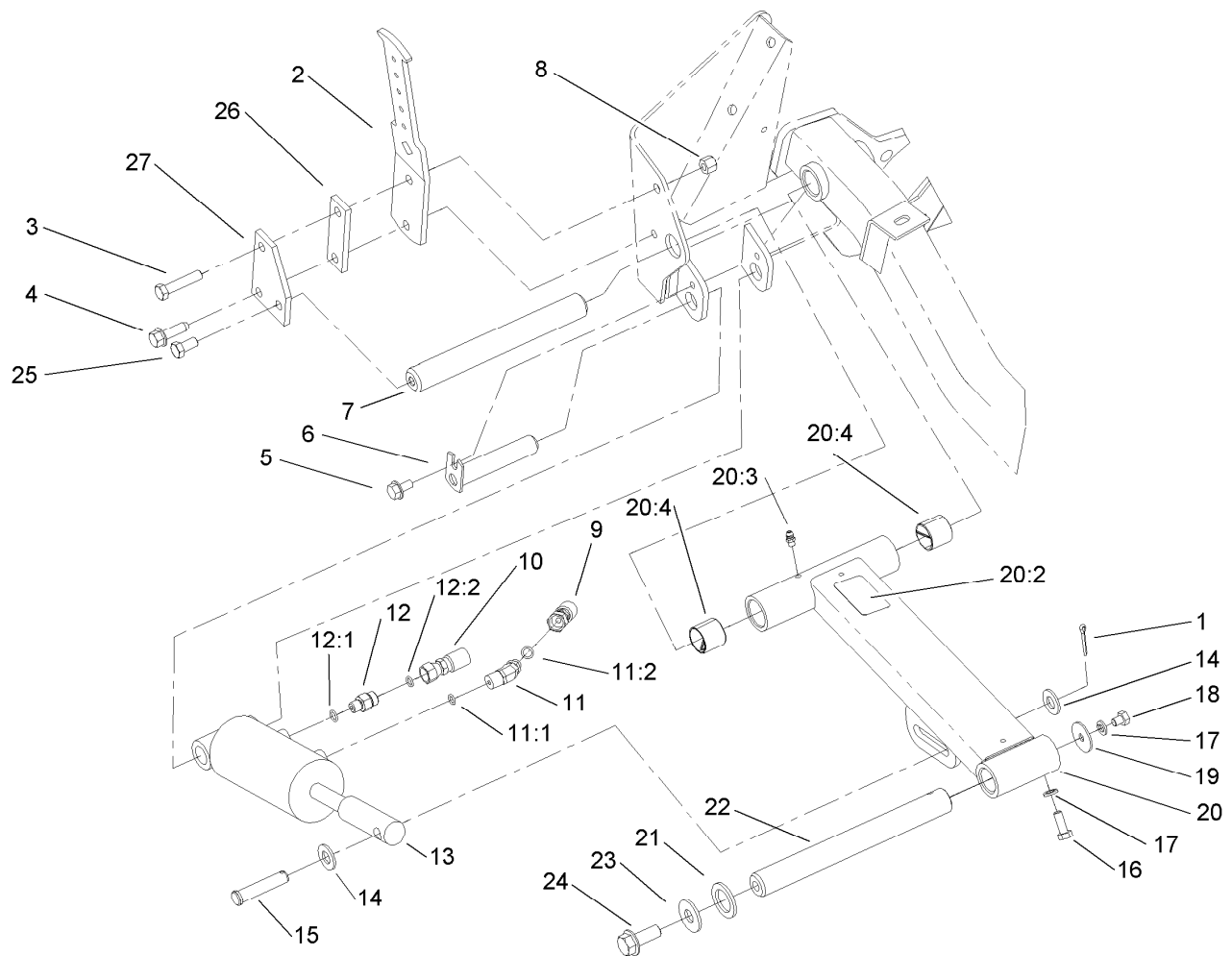




## Hydraulic Control Valve No. 104-4092

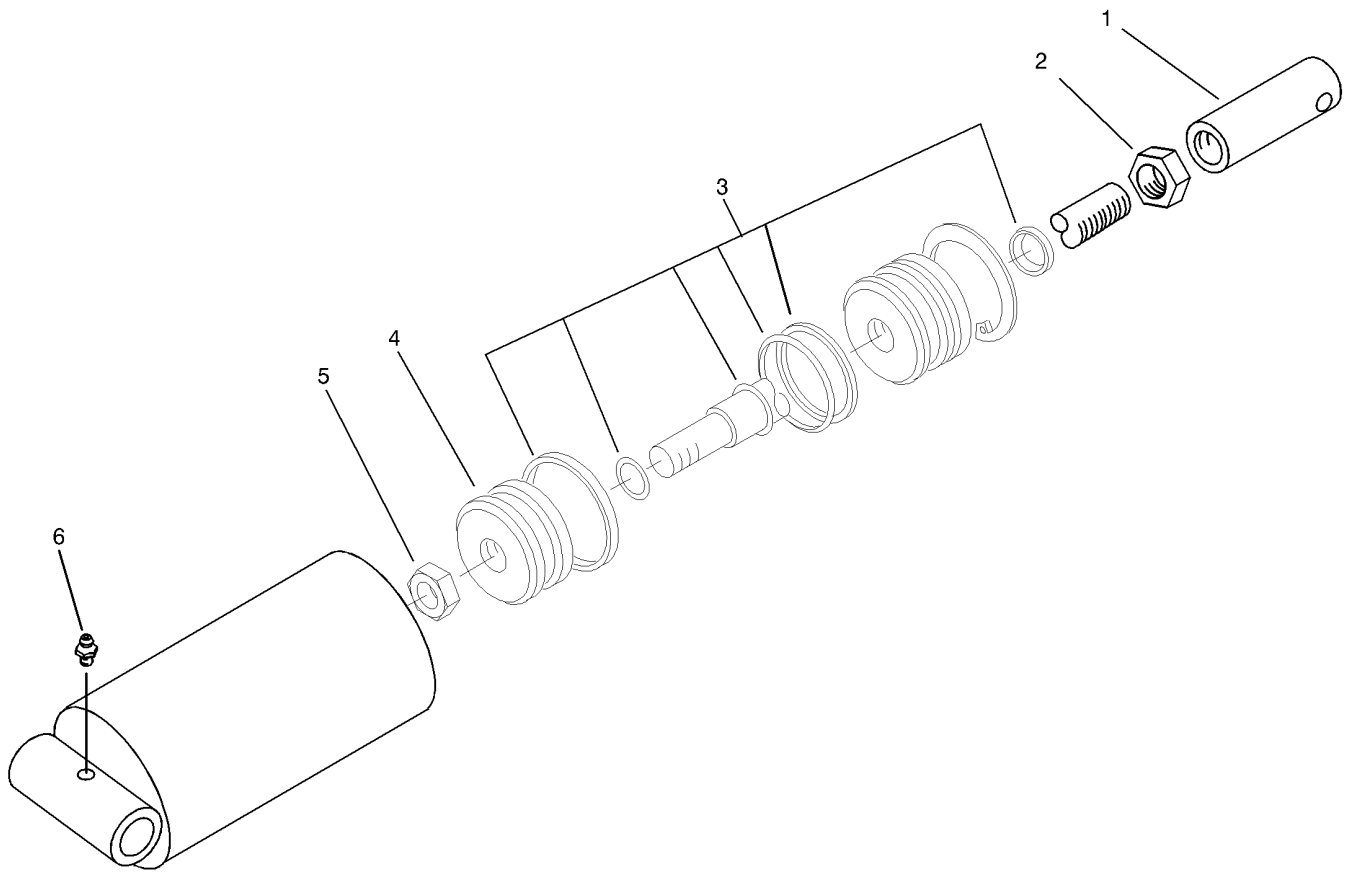
Ref.	Part Number	Qty.	Description
1		1	Body ●
2	55-3640	1	Seat-Relief
3	22-8370	2	Seat-Valve
4	22-8500	2	O-Ring
5	22-8420	1	Spool
6	22-8380	2	Retainer
7	23-3030	1	Spacer
8	22-8410	1	Spring
9	22-8480	1	Ring-Snap
10	22-8490	1	Ring-Snap
11	22-8440	1	Valve-Relief
12	22-8360	2	Pin
13	22-8350	2	Ball
14	105-7827	2	Plug ASM
14:1	22-8330	1	Plug
14:2	22-8340	1	Spring
14:3	237-42	1	O-Ring
15	55-3650	1	Plug

● Not serviced separately



## Rear Lift Arm Assembly

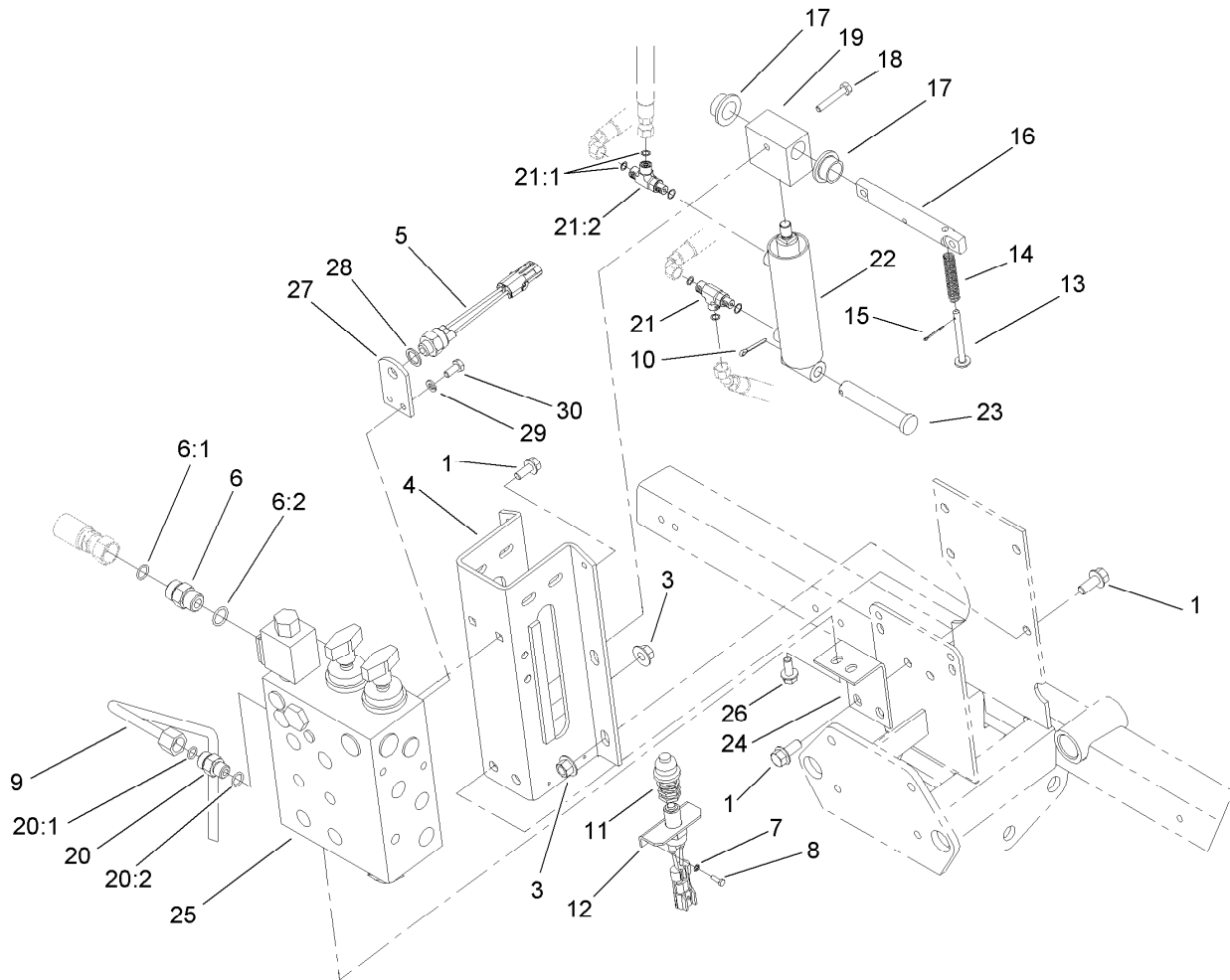
<i>Ref.</i>	<i>Part Number</i>	<i>Qty.</i>	<i>Description</i>	<i>Ref.</i>	<i>Part Number</i>	<i>Qty.</i>	<i>Description</i>
1	3272-11	1	Pin-Cotter	14	3256-26	2	Washer-Flat
2	92-1818-01	1	Arm-Spring, Tension	15	93-6926	1	Pin-Clevis
3	323-9	1	Screw-HH	16	322-4	1	Screw-HH
4	32144-109	1	Screw	17	3253-4	2	Washer-Lock
5	32144-14	1	Screw-HWHTF	18	322-26	1	Screw-HH
6	93-6893	1	Pin-Pivot, Ram	19	3256-57	1	Washer-Flat
7	92-1812	1	Shaft-Pivot, Lift	20	94-3635	1	Center Lift Arm ASM
8	3296-39	1	Nut-Lock, NI	20:2	93-6696	1	Decal-Warning
9	104-4002	1	Hose ASM	20:3	302-5	1	Fitting-Grease
10	94-5008	1	Hose ASM	20:4	3-0348	2	Bushing
11	340-103	1	Fitting-HYD, 45 DEG	21	256-115	1	Washer-Thrust
11:1	237-78	1	O-Ring	22	99-2338	1	Shaft-Pivot
11:2	237-21	1	O-Ring	23	3256-6	1	Washer-Flat
12	340-92	1	Fitting-HYD, Straight	24	3234-32	1	Screw-HHF
12:1	237-78	1	O-Ring	25	323-4	1	Screw-HH
12:2	237-21	1	O-Ring	26	98-3445	1	Spacer
13	93-6869	1	HYD Cylinder ASM	27	98-3446	1	Plate-Reinforcement



## Hydraulic Cylinder Assembly No. 93-6869

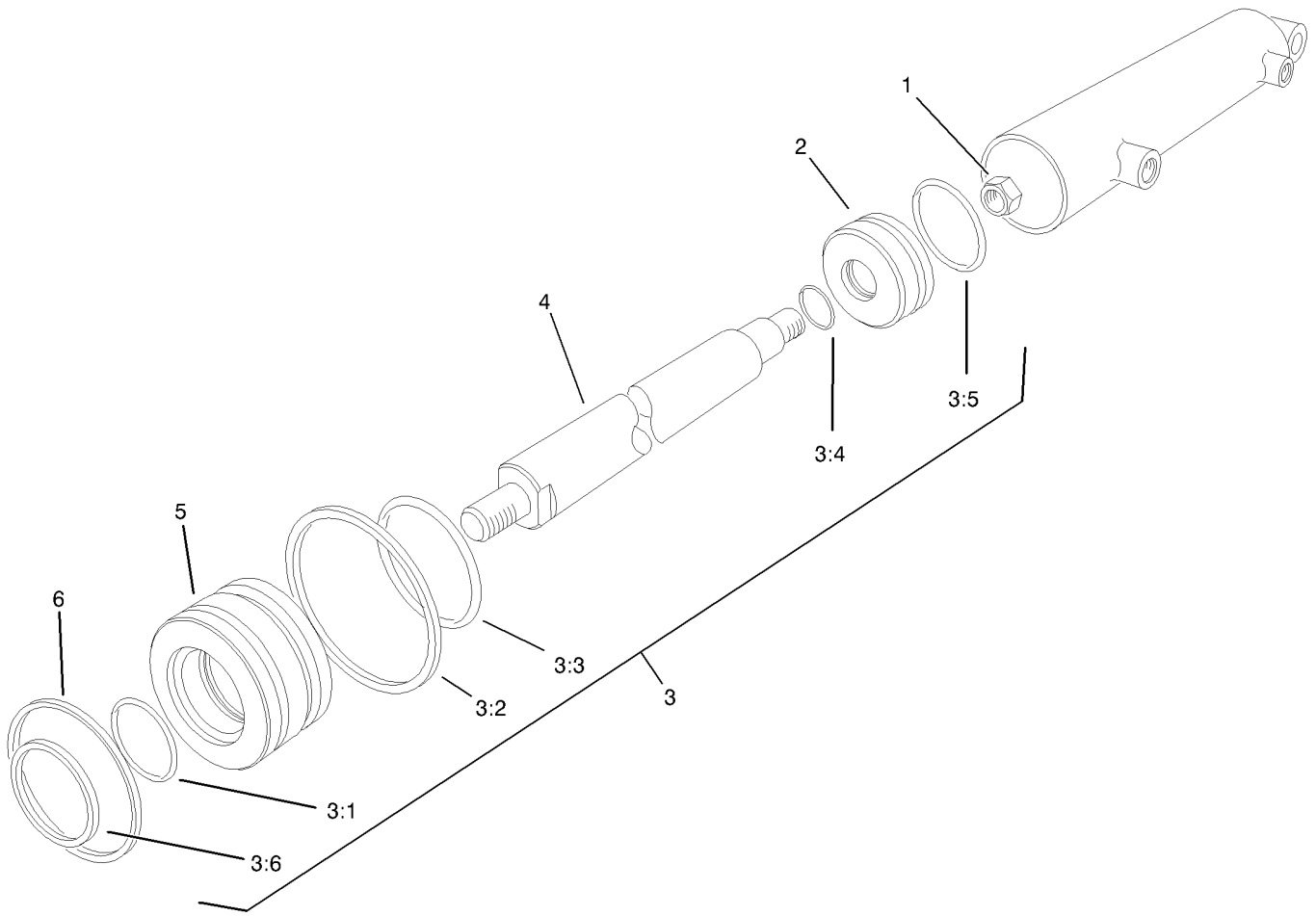
<i>Ref.</i>	<i>Part Number</i>	<i>Qty.</i>	<i>Description</i>
1	94-3617	1	Clevis-Cylinder
2	32152-10	1	Locknut
3	94-3619	1	Seal Kit
4		1	Piston ●
5		1	Nut-Lock ●
6	302-58	1	Fitting-Straight

● Not serviced separately



## Front Lift Cylinder Assembly

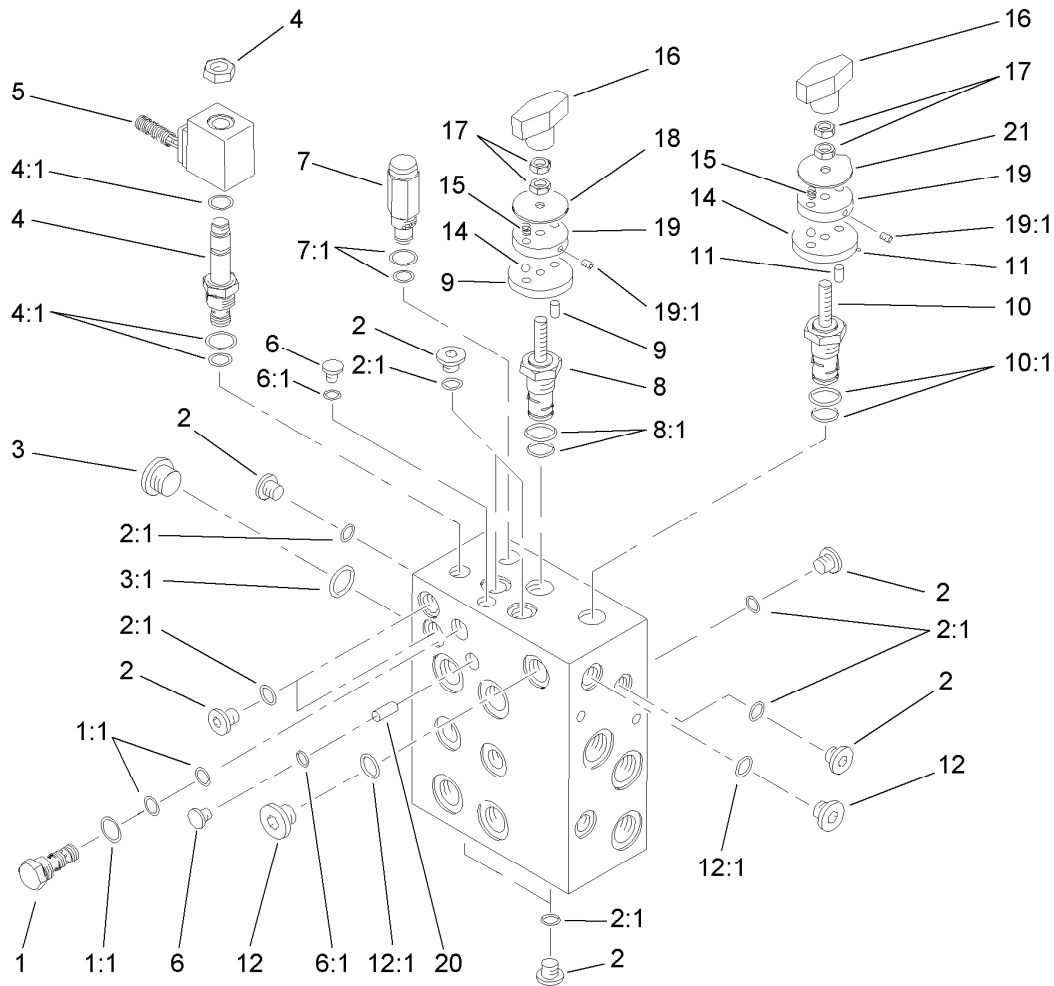
<i>Ref.</i>	<i>Part Number</i>	<i>Qty.</i>	<i>Description</i>	<i>Ref.</i>	<i>Part Number</i>	<i>Qty.</i>	<i>Description</i>
1	3234-25	6	Screw-HHF	18	321-43	1	Capscrew
3	32128-43	6	Nut-Flange	19	61-2450	1	Hub-Lift
4	104-3946-03	1	Cylinder Support ASM	20	340-2	1	Fitting-HYD, Straight
5	72-4320	1	Switch-Ball	20:1	237-22	1	O-Ring
6	340-4	1	Fitting-HYD, Straight	20:2	237-42	1	O-Ring
6:1	237-30	1	O-Ring	21	340-86	2	Fitting-Tee
6:2	237-79	1	O-Ring	21:1	237-22	2	O-Ring
7	3254-9	2	Washer-Lock, Internal	21:2	237-42	1	O-Ring
8	32144-18	2	Screw-HH	22	94-5031	1	HYD Cylinder ASM
9	104-4050	1	HYD Tube ASM	23	283-78	1	Pin-Clevis
10	3272-11	1	Pin-Cotter	24	93-6733-03	1	Bracket-Mount, Valve
11	94-3429	1	Switch-Ball	25	104-3995	1	Manifold Block ASM
12	94-3424	1	Bracket-Mount, Switch	26	3234-5	3	Screw-HHF
13	94-5010	1	Pin-Actuator, Switch	27	98-8199	1	Bracket-Switch
14	94-5011	1	Spring-Compression	28	3256-76	1	Washer-Flat
15	3272-4	1	Pin-Cotter	29	3253-3	2	Washer-Lock
16	72-4190	1	Pin-Guide, Cylinder	30	329-3	2	Screw-HH
17	84-8440	2	Bushing				



## Hydraulic Lift Cylinder Assembly No. 94-5031

<i>Ref.</i>	<i>Part Number</i>	<i>Qty.</i>	<i>Description</i>
1		1	Nut-Lock ●
2		1	Piston ●
3	94-3614	1	Seal Kit
3:1		1	Seal-Dust ●
3:2		1	Washer-Backup ●
3:3		1	Seal-Dust ●
3:4		1	Seal-Dust ●
3:5		1	Uniring ●
3:6		1	Seal-Dust ●
4		1	Shaft ●
5		1	Head ●
6	94-3612	1	Ring-Retaining

● Not serviced separately

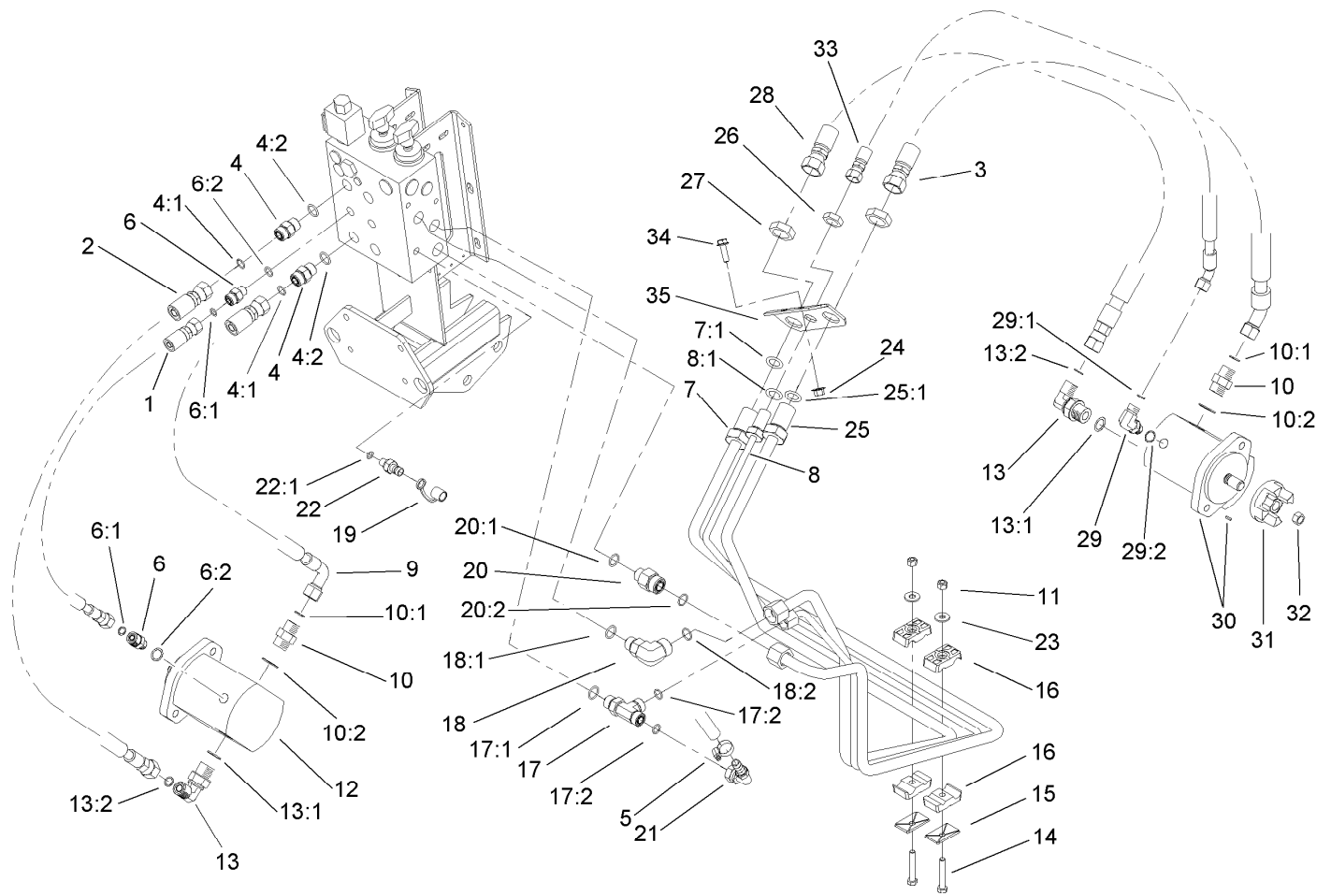


## Manifold Block Assembly No. 104-3995

Ref.	Part Number	Qty.	Description
1	95-5634	1	Cartridge-Logic, Spool
1:1	95-5641	1	Seal Kit
2	353-990	8	Plug
2:1	237-78	1	O-Ring
3	353-988	1	Plug-Hex
3:1	237-79	1	O-Ring
4	93-7494	1	Cartridge
4:1	95-5645	1	Seal Kit
5	83-2010	1	Coil ASM
6	353-991	2	Plug-Hex, Hollow
6:1	237-156	1	O-Ring
7	94-3655	1	Valve-Relief
7:1	95-5645	1	Seal Kit
8	94-3659	1	Control-Flow, Rotary
8:1	95-5645	1	Seal Kit
9	94-5025	1	Plate-Locating

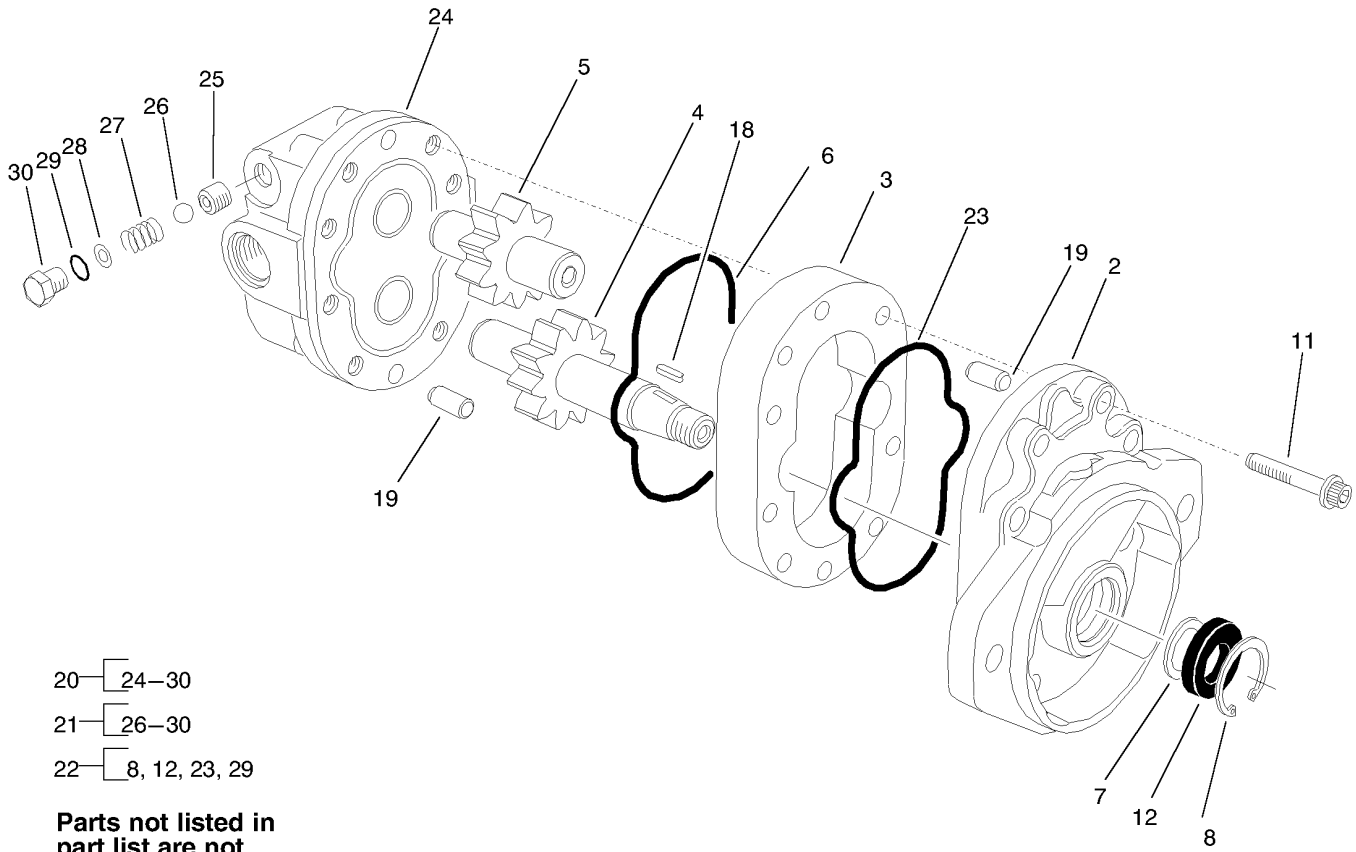
Ref.	Part Number	Qty.	Description
10	94-3657	1	Spool ASM
10:1	106-1091	1	Seal Kit
11	94-5021	1	Plate-Locating
12	353-989	3	Plug-Hex, Hollow
12:1	237-42	1	O-Ring
13		1	Body-Manifold ●
14	255-13	4	Ball-Steel, Stainless
15	94-5027	4	Spring
16	94-5020	2	Knob ASM
17	3218-1	4	Nut-Jam
18	94-5026	1	Plate-Indicator
19	94-5023	2	Plate-Detent
19:1	3245-36	1	Screw-Set, HSH
20	75-2070	1	Plug-Orifice
21	99-3543	1	Plate-Indicator

● Not serviced separately



## Reel Motor Assembly

<i>Ref.</i>	<i>Part Number</i>	<i>Qty.</i>	<i>Description</i>	<i>Ref.</i>	<i>Part Number</i>	<i>Qty.</i>	<i>Description</i>
1	94-5986	2	Hose ASM	17:2	237-30	2	O-Ring
2	94-5987	2	Hose ASM	18	340-153	1	Fitting-Elbow, 90 DEG
3	94-5129	1	Hose ASM	18:1	237-79	1	O-Ring
4	340-4	4	Fitting-HYD, Straight	18:2	237-151	1	O-Ring
4:1	237-30	1	O-Ring	19	354-79	1	Cap-Dust
4:2	237-79	1	O-Ring	20	340-155	1	Fitting-HYD, Straight
5	2412-36	1	Clamp-Hose	20:1	237-79	1	O-Ring
6	340-2	4	Fitting-HYD, Straight	20:2	237-151	1	O-Ring
6:1	237-22	1	O-Ring	21	93-6803	1	Fitting-90 DEG
6:2	237-42	1	O-Ring	22	354-77	1	Fitting-Quick
7	104-3950	1	Tube ASM	22:1	237-78	1	O-Ring
7:1	237-65	1	O-Ring	23	3256-3	2	Washer-Flat
8	104-3951	1	Tube ASM	24	32128-44	2	Nut
8:1	237-30	1	O-Ring	25	104-3949	1	Tube ASM
9	94-5985	2	Hose ASM	25:1	237-65	1	O-Ring
10	340-6	3	Fitting-HYD, Straight	26	340-70	1	Nut-Lock
10:1	237-30	1	O-Ring	27	340-74	2	Nut-Lock, Bulkhead
10:2	237-80	1	O-Ring	28	93-6790	1	Hose-HYD
11	3296-29	2	Nut-Lock, NI	29	340-77	1	Fitting-HYD, 90 DEG
12	93-6972	2	Gear Motor ASM	29:1	237-22	1	O-Ring
13	340-105	3	Fitting-HYD, 90 DEG	29:2	237-42	1	O-Ring
13:1	237-80	1	O-Ring	30	93-6975	1	Gear Motor ASM
13:2	237-30	1	O-Ring	31	93-8823	3	Coupler-Motor, Reel
14	322-10	2	Screw-HH	32	32128-48	3	Nut-Lock, HHF
15	69-9760	2	Coverplate	33	93-6789	1	Hose-HYD
16	56-7970	4	Clamp-Tube	34	3234-17	2	Screw-HHF
17	340-109	1	Fitting-HYD, Tee	35	93-6796-01	1	Bracket-Bulkhead
17:1	237-79	1	O-Ring				

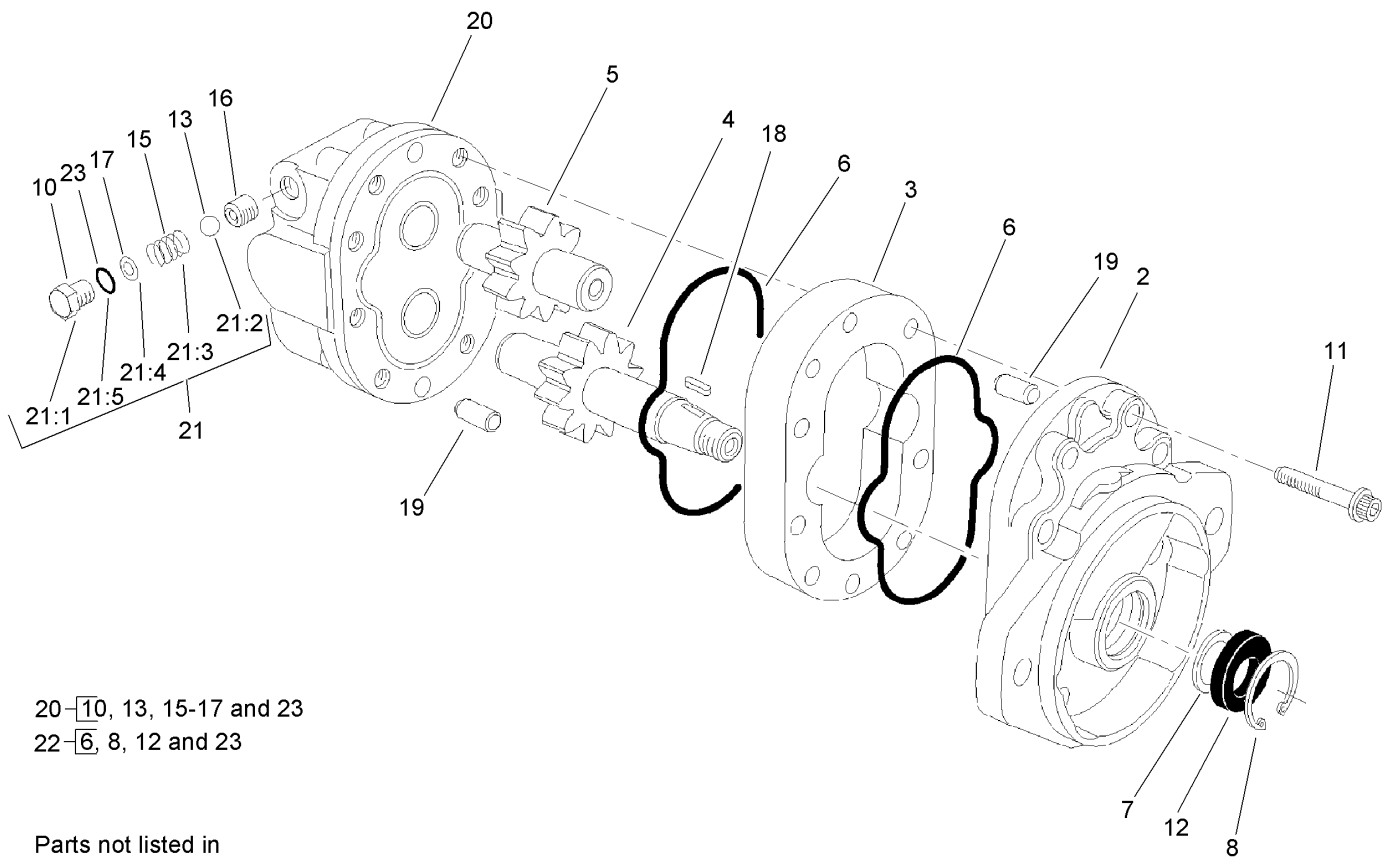


- 20 — 24–30
- 21 — 26–30
- 22 — 8, 12, 23, 29

**Parts not listed in part list are not serviced separately**

## Gear Motor Assembly No. 93-6972

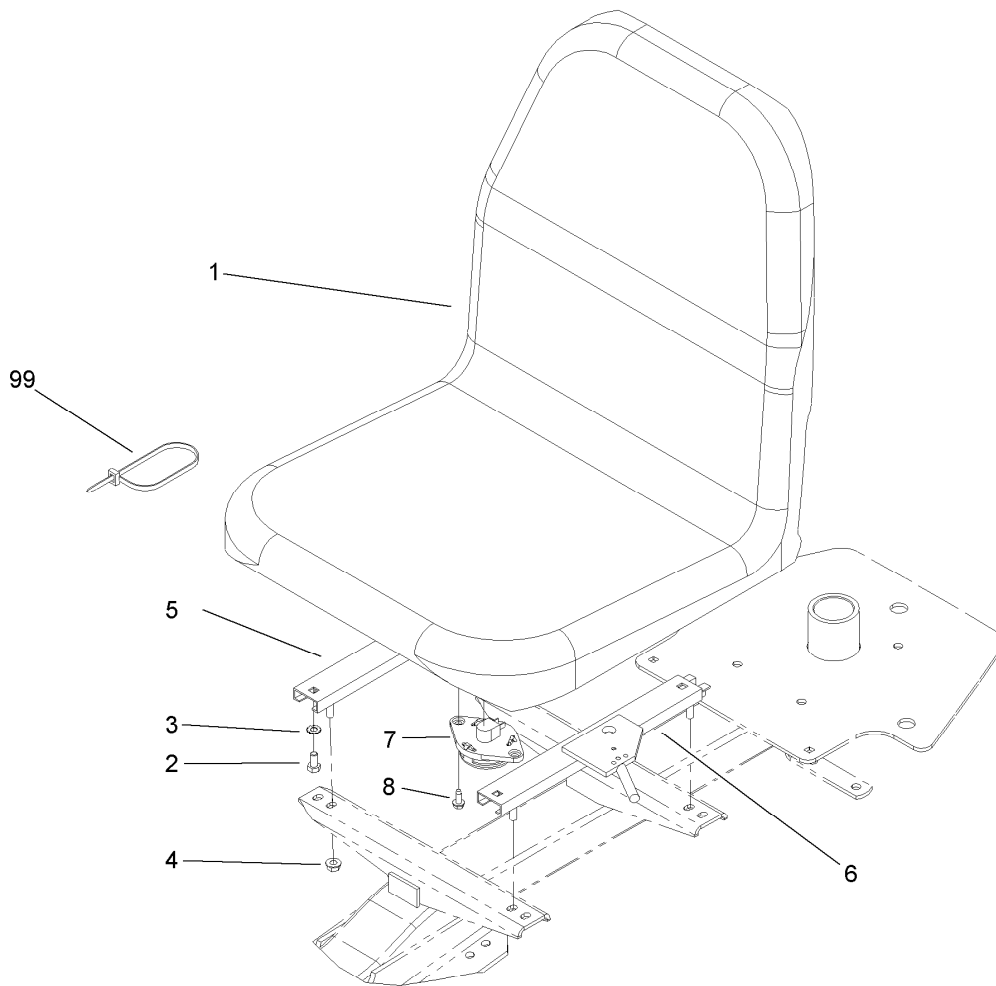
<i>Ref.</i>	<i>Part Number</i>	<i>Qty.</i>	<i>Description</i>
2	66-5730	1	Front Plate ASM
3	94-3603	1	Motor Body ASM
4	94-3602	1	Drive Gear ASM
5	94-3601	1	Idler Gear ASM
6	59-8420	2	Ring
7	60-5890	1	Washer
8	59-8320	1	Ring-Retaining
11	94-3600	8	Capscrew
12	66-5710	1	Seal-Shaft
18	94-3606	1	Key
19	42-2010	2	Pin-Dowel
20	94-3604	1	Backplate ASM
21	92-9260	1	Relief Valve Kit
22	93-1413	1	Seal Kit



## Gear Motor Assembly No. 93-6975

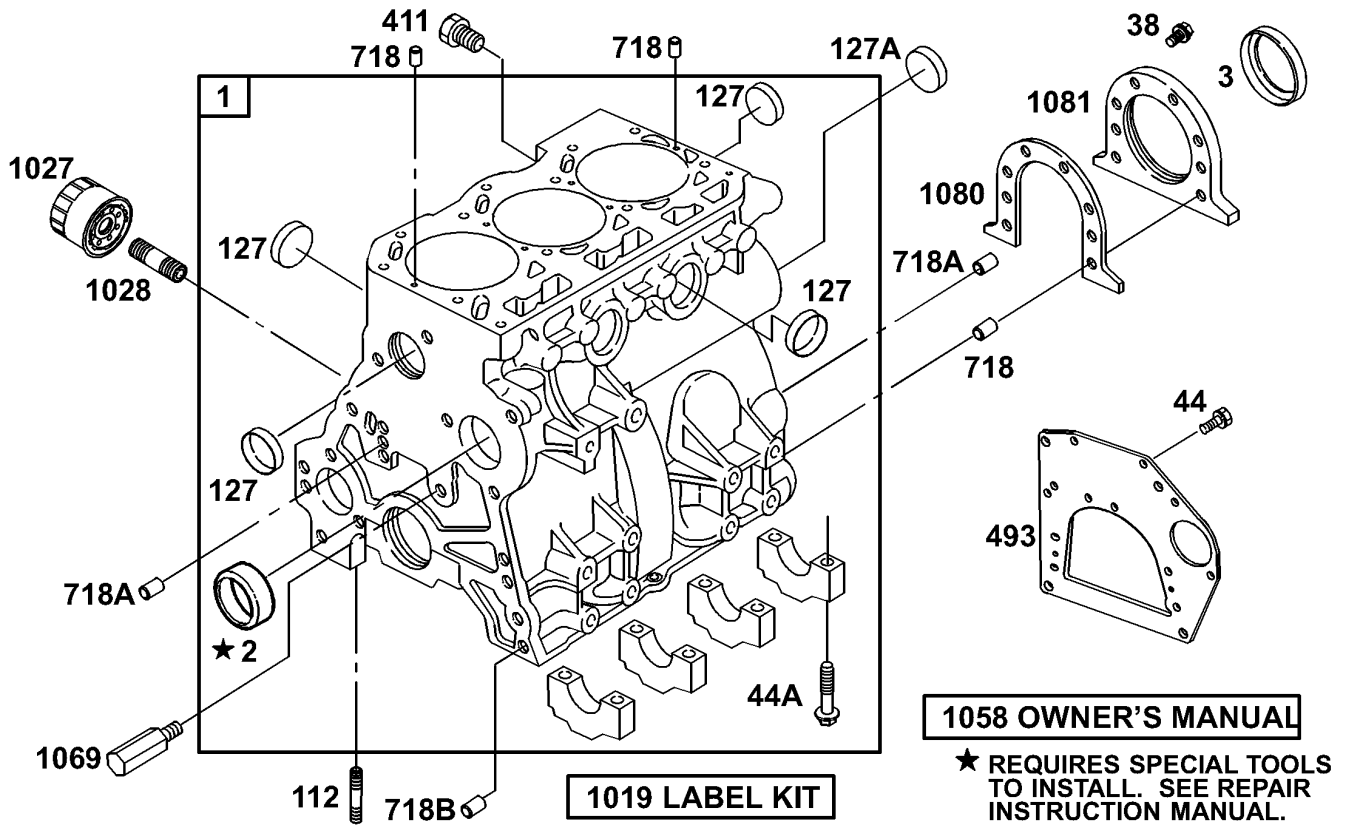
<i>Ref.</i>	<i>Part Number</i>	<i>Qty.</i>	<i>Description</i>
2	66-5730	1	Front Plate ASM
3	94-3603	1	Motor Body ASM
4	94-3602	1	Drive Gear ASM
5	94-3601	1	Idler Gear ASM
6	56-6710	2	O-Ring
7	60-5890	1	Washer
8	59-8320	1	Ring-Retaining
11	94-3600	8	Capscrew
12	66-5710	1	Seal-Shaft
18	94-3606	1	Key
19	42-2010	2	Pin-Dowel
20	94-3605	1	Backplate ASM
21	92-9260	1	Relief Valve Kit
21:1		2	Plug ●
21:2		2	Ball ●
21:3		2	Spring ●
21:4		2	Shim ●
21:5	237-42	2	O-Ring
22	93-1413	1	Seal Kit

● Not serviced separately



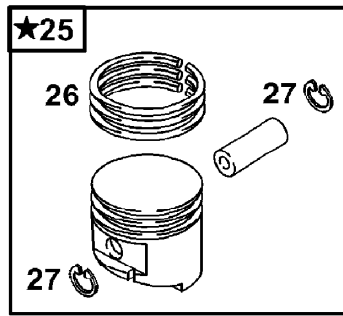
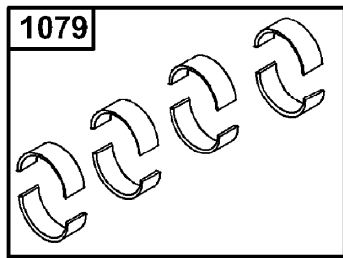
## Seat Assembly

<i>Ref.</i>	<i>Part Number</i>	<i>Qty.</i>	<i>Description</i>
1	104-4620	1	Seat
2	322-2	4	Screw-HH
3	3255-8	4	Washer-Lock
4	32128-25	4	Nut-HF
5	92-8990	1	Adjuster-Slave
6	92-8991	1	Adjuster ASM (W/Latch)
7	92-6282	1	Switch-Seat
8	32144-10	2	Screw-HWH
99	3290-378	1	Tie-Cable

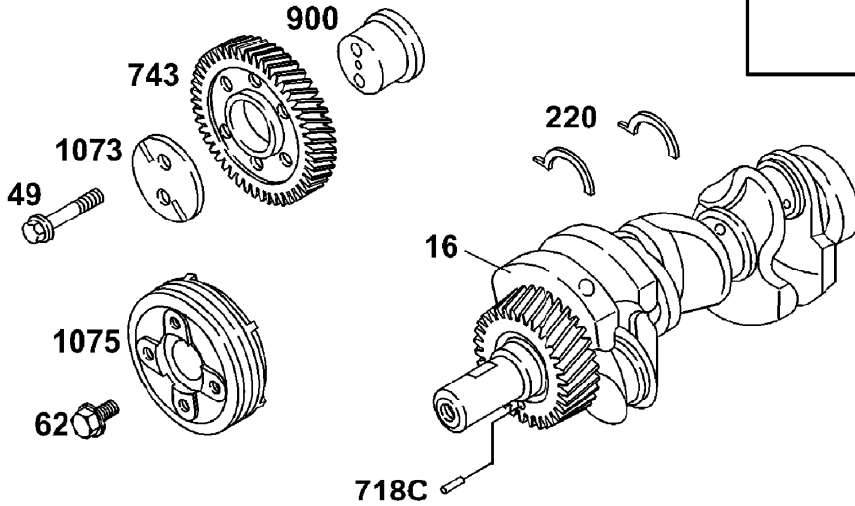
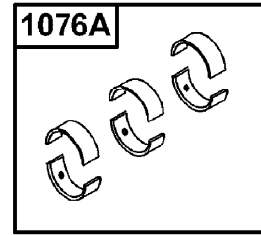
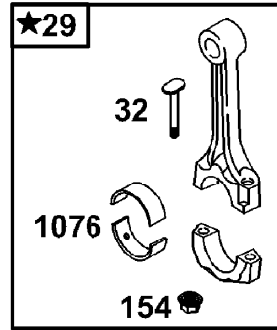


## Cylinder Assembly

Ref.	Part Number	Qty.	Description
1	100-6401	1	Cylinder ASM
2	99-9002	1	Bushing
3	99-9003	1	Seal-Oil
38	99-9004	6	Screw-Hex
44	99-9005	3	Screw-Hex
112	99-9007	1	Stud-Metric
127	99-9008	7	Plug-Welch
411	99-9601	1	Plug (Cylinder Block)
44A	99-9006	8	Screw-Hex
493	99-9011	1	Bracket-Mounting
718	99-9012	4	Pin-Locating
1019	99-9015	1	Label Kit
1027	108-3842	1	Filter-Oil
1028	99-9018	1	Adapter-Filter, Oil
1058	99-9602	1	Manual-Owners
1069	99-9020	1	Nozzle-Oil
1080	99-9021	1	Gasket-Retainer
1081	99-9022	1	Retainer-Seal
127A	99-9010	1	Plug-Welch
718A	99-9013	3	Pin-Locating
718B	99-9014	2	Pin-Locating



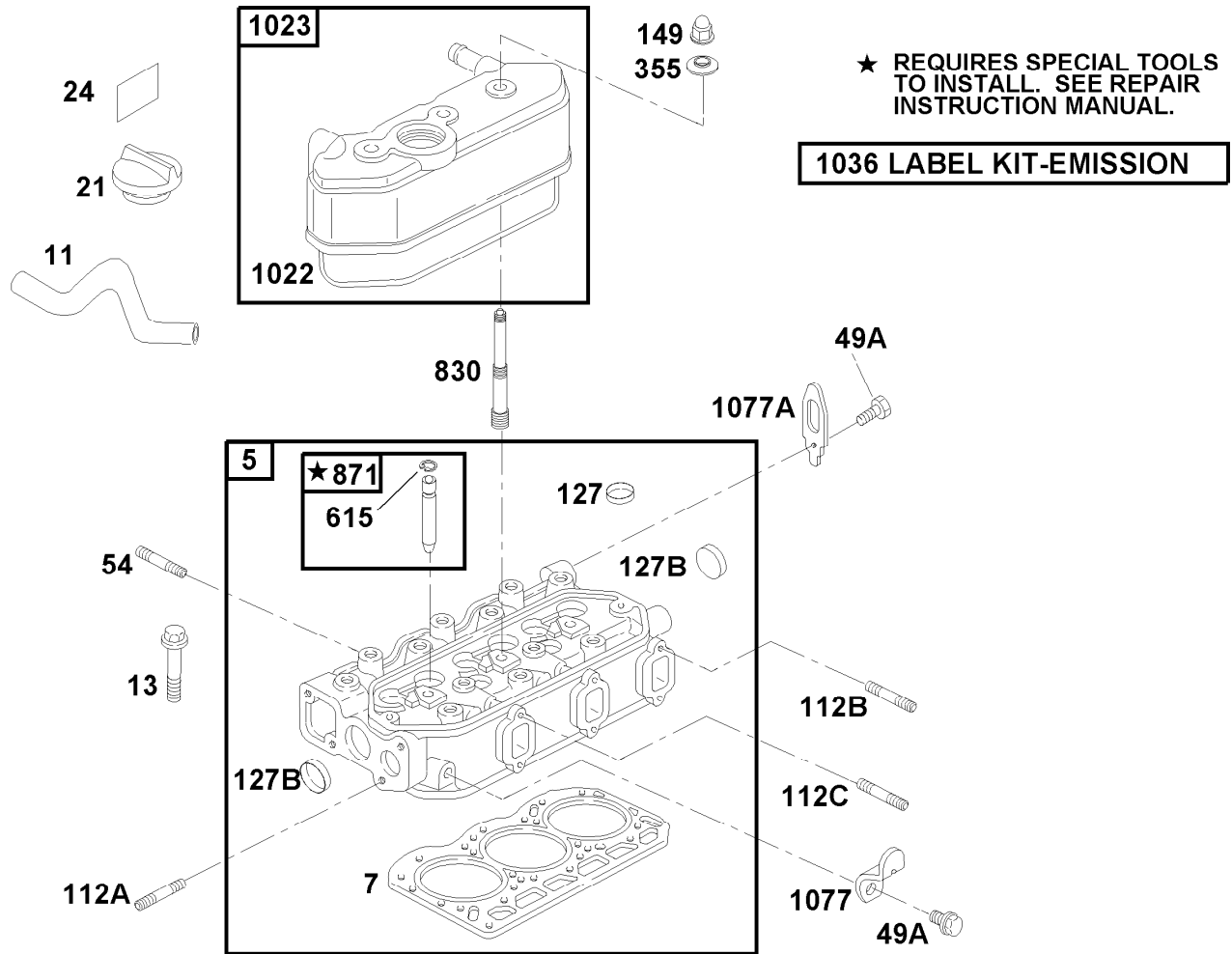
★ REQUIRES SPECIAL TOOLS TO INSTALL. SEE REPAIR INSTRUCTION MANUAL.



## Crankshaft Assembly

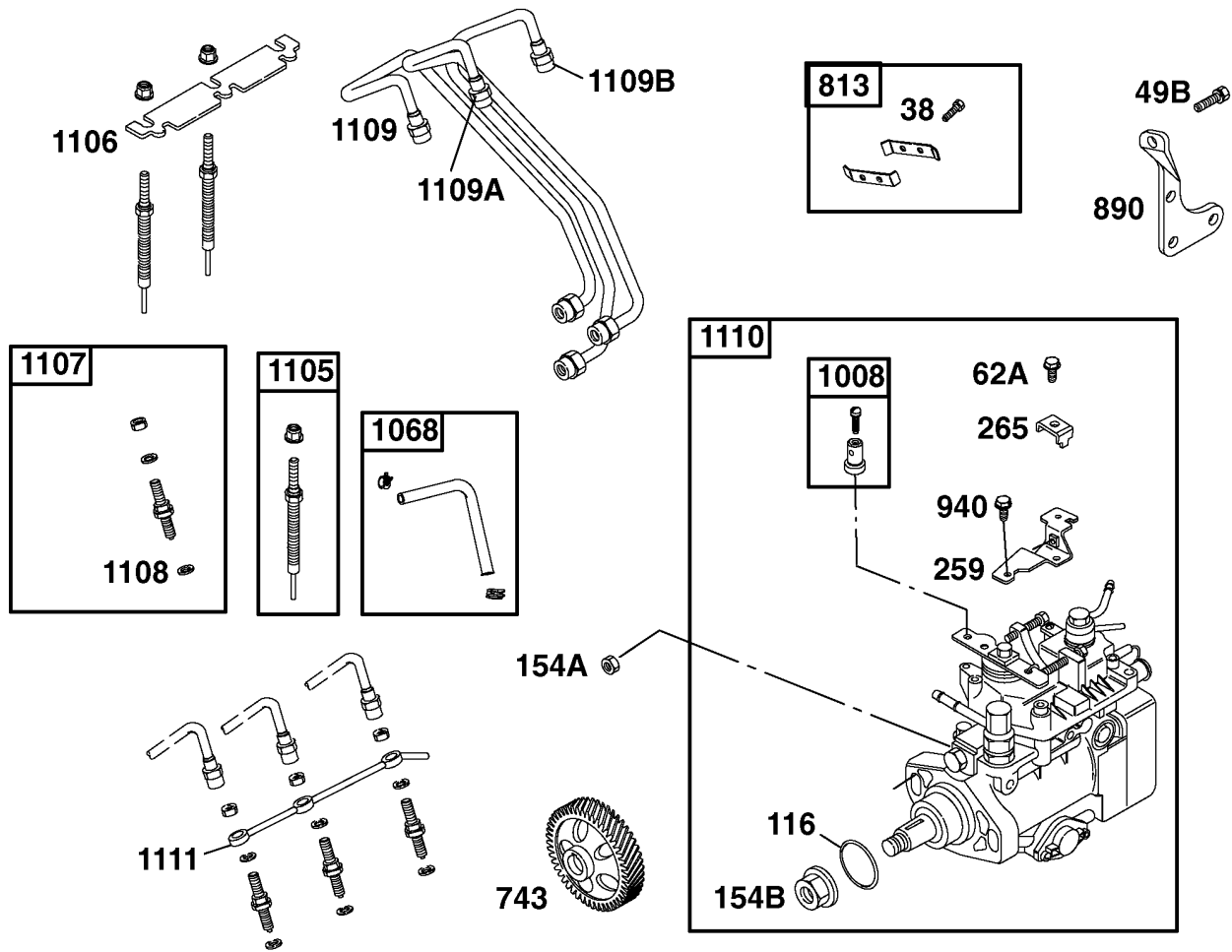
Ref.	Part Number	Qty.	Description
16	99-9252	1	Crankshaft
23	99-9024	1	Flywheel
25	99-9605	3	Piston ASM
25	99-9268	3	Piston ASM (.010 In Oversized)
26	99-9606	3	Ring Set
26	99-9269	3	Ring Set (.010 Oversized)
27	99-9607	6	Lock-Pin, Piston
29	99-9608	3	Rod-Connecting
32	99-9030	6	Screw-Rod, Connecting
49	99-9032	2	Screw-Hex
62	99-9033	1	Screw-Hex
154	99-9034	6	Nut-Hex
220	99-9035	1	Washer-Thrust
220	99-9036	1	Washer-Thrust (.005 In Oversized)

Ref.	Part Number	Qty.	Description
44B	99-9031	6	Screw-Hex
743	99-9609	1	Gear-Drive
900	99-9039	1	Shaft-Gear
1073	99-9040	1	Plate-Gear, Idler
1075	99-9692	1	Pulley-Crankshaft
1076	99-9042	1	Bearing-Rod
1079	99-9045	1	Set-Bearing, Main (Set Of 8)
1079	99-9046	1	Set-Bearing, Main (.010 Undersized)
718C	99-9037	1	Pin-Locating
1076A	99-9043	3	Set-Bearing, Rod
1076A	99-9044	3	Set-Bearing, Rod (.010 Undersized)



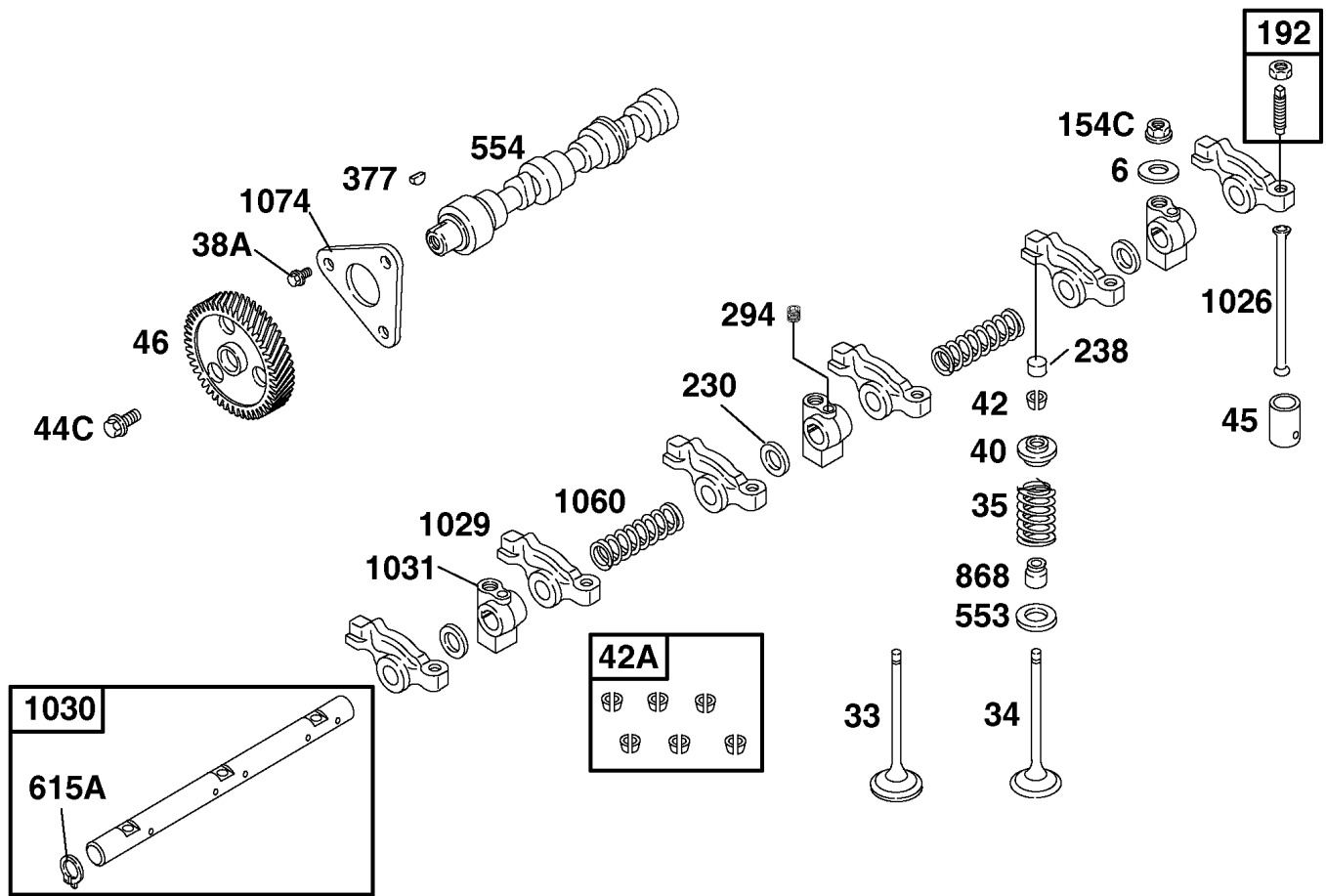
## Cylinder Head Assembly

Ref.	Part Number	Qty.	Description
5	99-9611	1	Head-Cylinder
7	99-9612	1	Gasket-Head, Cylinder
11	104-7743	1	Tube-Breather
13	99-9614	14	Screw-Metric
21	99-9052	1	Cap-Fill, Oil
24	105-3817	1	Label-Fill, Oil
54	99-9055	2	Stud-Metric
127	99-9008	2	Plug-Welch
149	99-9061	3	Nut-Hex, Metric
355	99-9063	3	Washer-Seal
49A	99-9054	2	Screw-Hex
615	99-9067	6	Retainer
830	99-9101	3	Stud-Arm, Rocker
871	99-9070	6	Bushing-Guide
1022	99-9073	1	Gasket-Cover, Rocker
1023	100-6402	1	Cover-Rocker
1036	99-9615	1	Emission Label Kit
1077	99-9076	1	Bracket-Lifting
112A	99-9057	2	Stud-Metric
112C	99-9059	1	Stud-Metric
112B	99-9058	5	Stud-Metric
127B	99-9060	2	Plug-Welch
1077A	99-9077	1	Bracket-Lifting



## Injection Assembly

<i>Ref.</i>	<i>Part Number</i>	<i>Qty.</i>	<i>Description</i>
1008	99-9628	1	Clamp-Swivel
1068	99-9629	1	Hose / Clamp ASM
1105	99-9630	3	Plug-Glow
1106	99-9631	1	Strap-Plug, Glow
1107	99-9632	3	Nozzle-Injector
1108	99-9633	3	Seat-Injector
1109	99-9690	1	Pipe-Injector, No. 1
1109A	99-9634	1	Pipe-Injector, No. 2
1109B	99-9635	1	Pipe-Injector, No. 3
1110	104-3970	1	Pump-Injection
1111	99-9637	1	Pipe-Return, Fuel
116	99-9618	1	O-Ring
154A	99-9619	2	Nut-Hex, Metric
154B	99-9620	1	Nut-Hex, Metric
259	99-9621	1	Bracket-Clamp, Casing
265	99-9622	1	Clamp-Casing
38	99-9004	2	Screw-Hex
49B	99-9616	4	Screw-Hex
62A	100-6403	1	Screw-Metric
743	99-9624	1	Gear-Drive
813	99-9625	1	Clamp
890	99-9626	1	Bracket-Support
940	100-6410	2	Screw-Hex



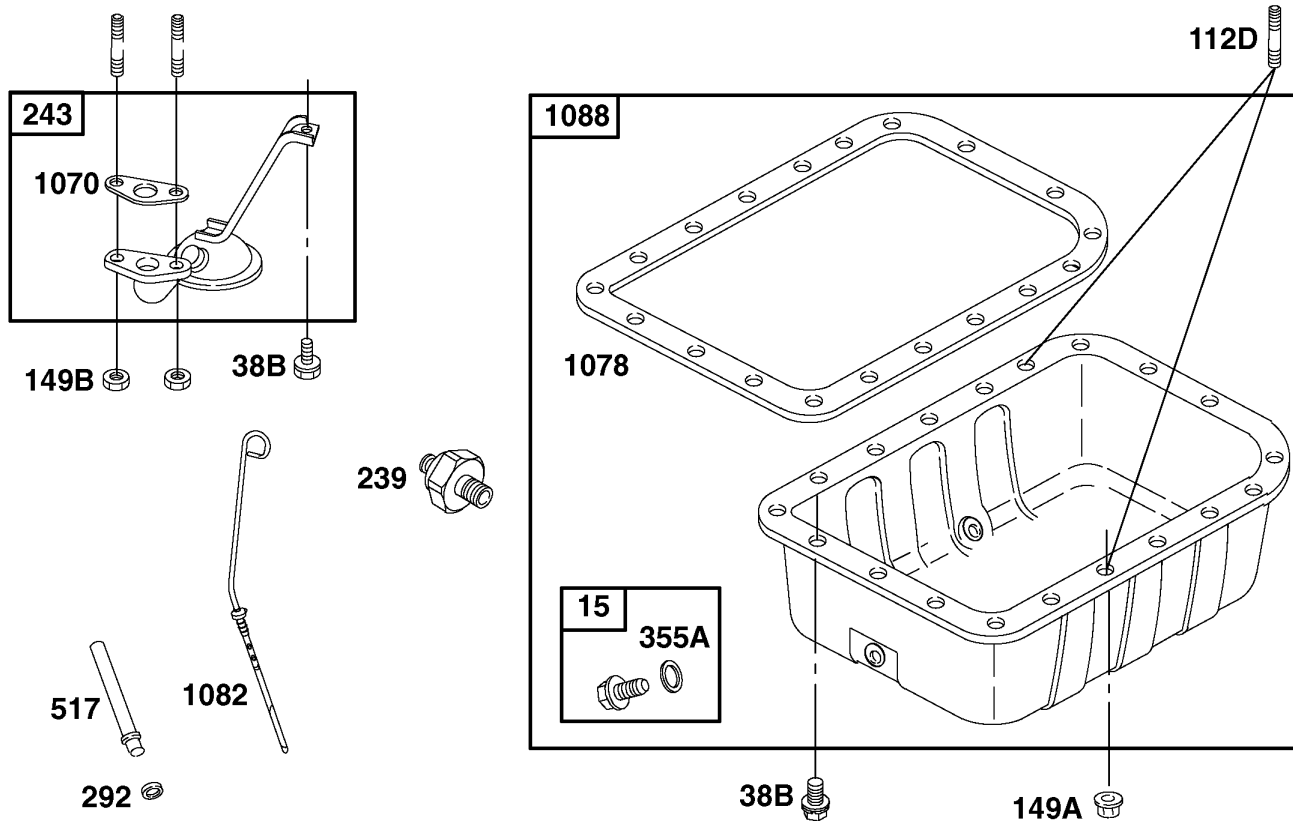
## Rocker Arm Assembly

Ref.	Part Number	Qty.	Description	Ref.	Part Number	Qty.	Description
6	99-9079	3	Washer-Flat	35	99-9640	6	Spring-Valve
1026	99-9103	6	Rod-Push	377	99-9642	1	Key-Timing
1029	99-9104	1	Arm-Rocker ▲	38A	99-9083	3	Screw-Hex
1030	99-9106	1	Shaft-Arm, Rocker ▲	40	99-9084	6	Retainer-Valve
1031	99-9107	3	Support-Arm, Rocker ▲	42	99-9086	1	Keeper-Valve (Set)
1060	99-9108	2	Spring-Shaft, Rocker ▲	42A	99-9087	6	Keeper-Valve (Set Of 6)
1074	99-9109	1	Retainer-Camshaft	44C	99-9085	1	Screw-Metric
154C	99-9091	3	Nut-Hex, Metric	45	99-9088	6	Tappet-Valve
192	99-9092	6	Adjuster-Arm, Rocker	46	99-9641	1	Gear-Cam ▲
230	99-9093	3	Washer-Spacer ▲	553	99-9096	6	Seat-Spring, Valve
238	99-9094	6	Cap-Valve	554	99-9097	1	Shaft-Cam
294	99-9090	1	Screw-Metric	615A	99-9099	2	Retainer
33	99-9638	3	Valve-Exhaust	868	99-9643	6	Seal-Valve ●■
34	99-9639	3	Valve-Intake				

● Included in Gasket Set-Part Number 99-9667

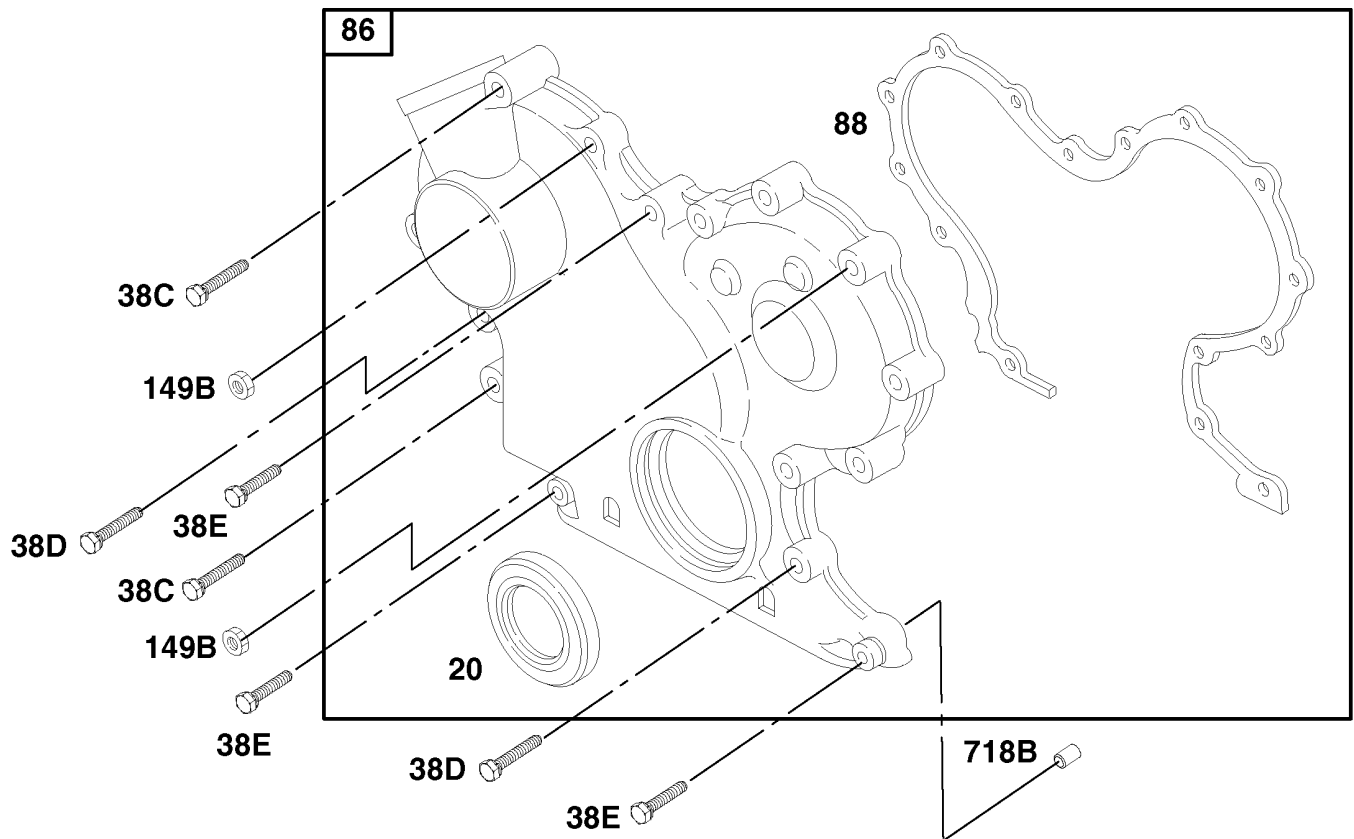
■ Included in Valve Overhaul Kit-Part Number 99-9668

▲ Refer To Repair Manual MS 1055 For Assembly and/or Torque Requirements.



## Oil Pan Assembly

Ref.	Part Number	Qty.	Description
1070	99-9120	1	Gasket-Strainer, Oil
1078	99-9121	1	Gasket-Pan, Oil
1082	99-9272	1	*obs* Dipstick
1088	99-9649	1	Pan-Oil
112D	99-9112	2	Stud-Metric
149A	99-9113	2	Nut-Hex, Metric
149B	99-9114	2	Nut-Hex, Metric
15	99-9644	2	Plug-Drain, Oil
239	99-9115	1	Switch-Pressure, Oil
243	99-9116	1	Screen-Pump, Oil
292	99-9265	1	Seal-O-Ring
355A	99-9645	1	Washer-Seal
38B	99-9111	18	Screw-Hex
517	99-9271	1	Collar-Tube, Dipstick

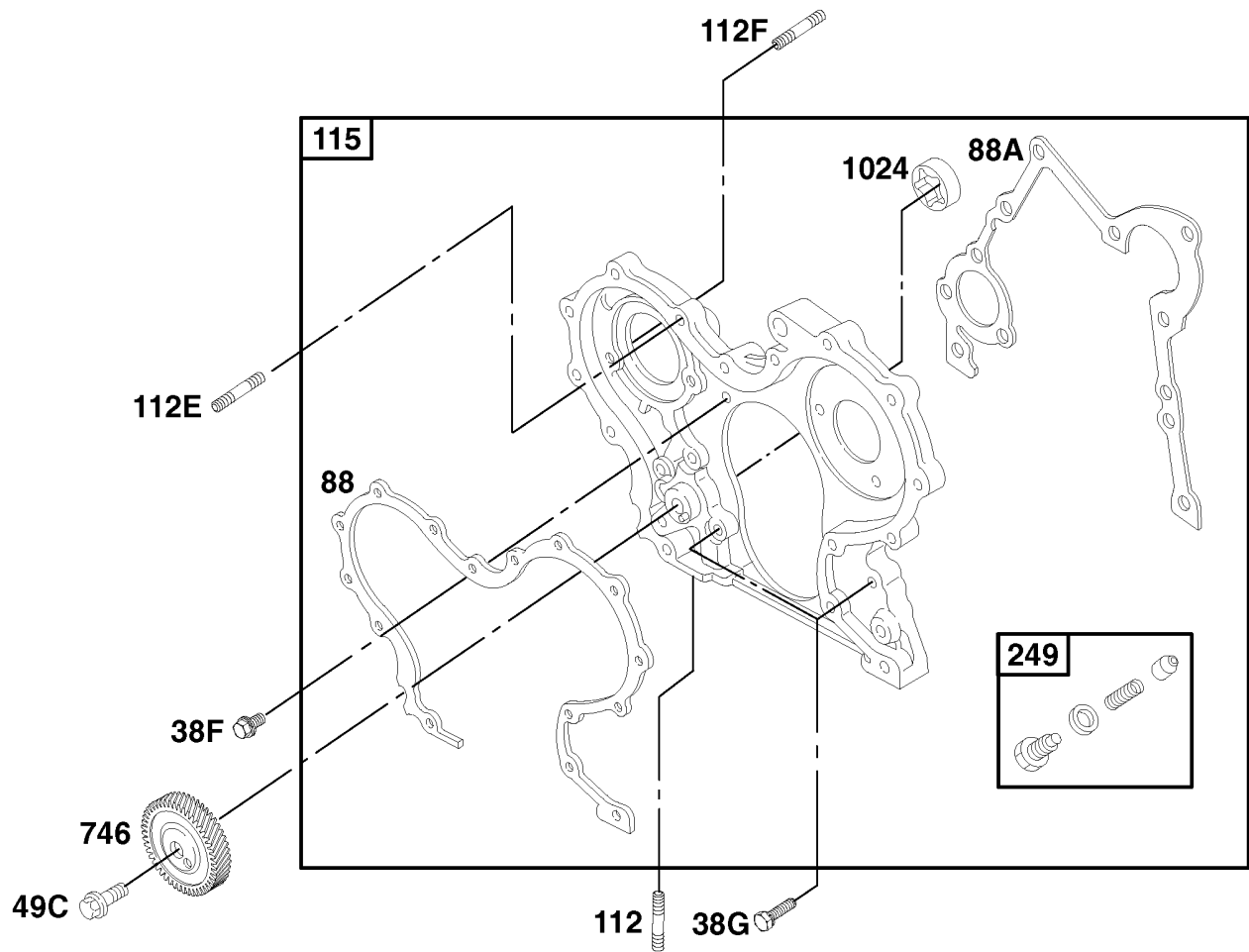


## Cover Assembly

<i>Ref.</i>	<i>Part Number</i>	<i>Qty.</i>	<i>Description</i>
149B	99-9114	2	Nut-Hex, Metric
20	99-9126	1	Seal-Oil ●
38C	99-9651	2	Screw-Hex
38D	99-9128	9	Screw-Hex
38E	99-9129	3	Screw-Hex
718B	99-9014	1	Pin-Locating
86	99-9652	1	Gear Cover ASM ■
88	99-9653	1	Gasket-Cover, Gear ●

● Included in Gasket Set-Part Number 99-9667

■ Refer To Repair Manual MS 1055 For Assembly and/or Torque Requirements.

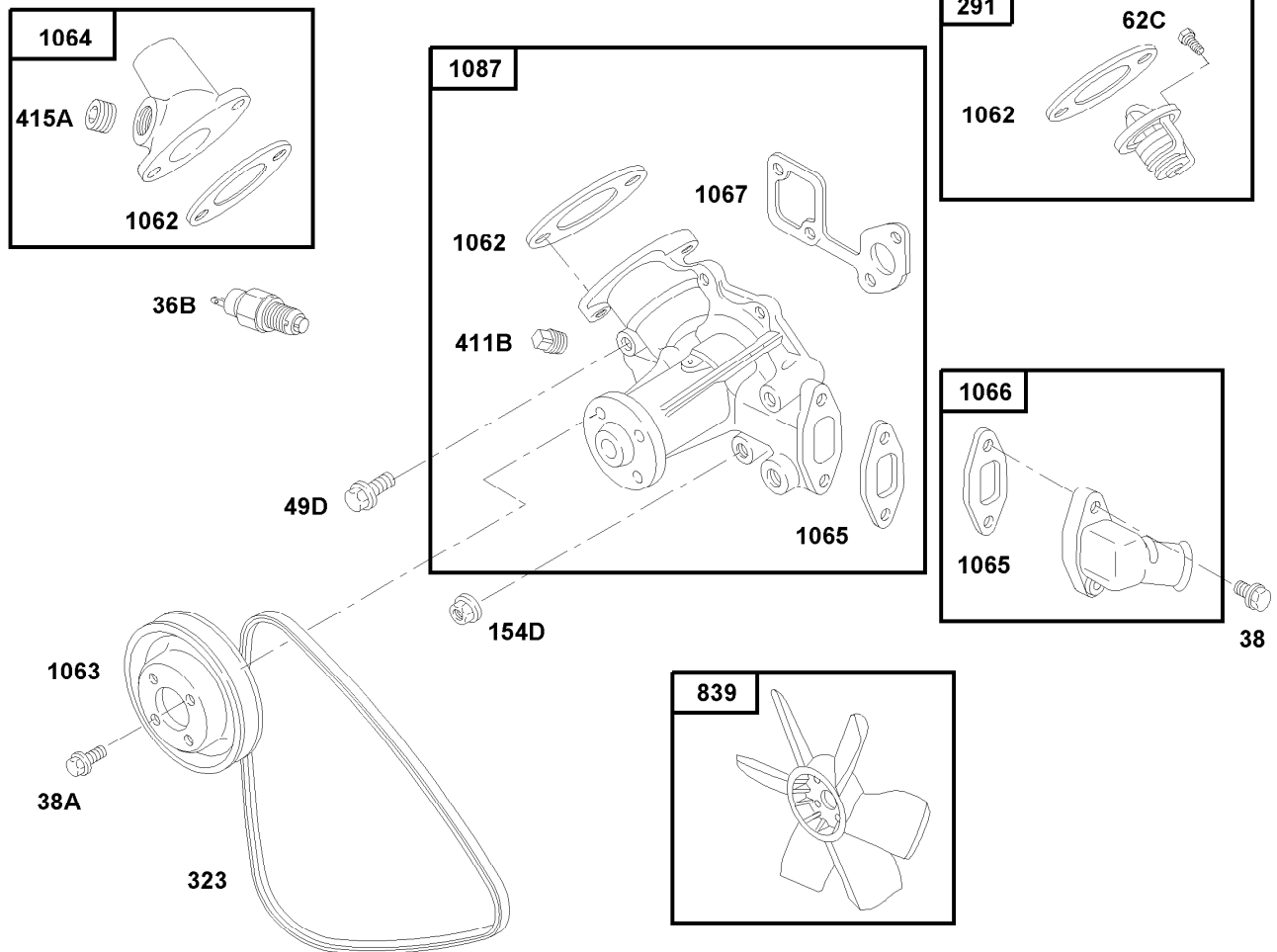


## Gear Housing Assembly

<i>Ref.</i>	<i>Part Number</i>	<i>Qty.</i>	<i>Description</i>
112	99-9007	1	Stud-Metric
112E	99-9137	2	Stud-Metric
112F	99-9654	2	Stud-Metric
115	99-9655	1	Housing-Gear ■
249	99-9142	1	Valve-Relief, Oil ■
38F	99-9134	1	Screw-Hex
38G	99-9133	4	Screw-Hex
49C	99-9135	1	Screw-Hex
746	99-9656	1	Gear-Drive ■
88	99-9653	1	Gasket-Cover, Gear ●
88A	99-9136	1	Gasket-Cover, Gear ●
1024		0	Gear-Drive Pump-Oil (Sold In Gear Housing Only, Ref. 115)

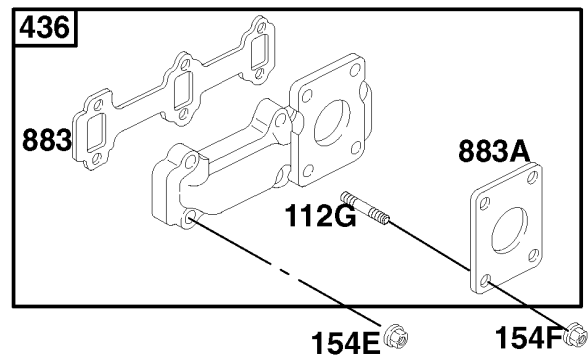
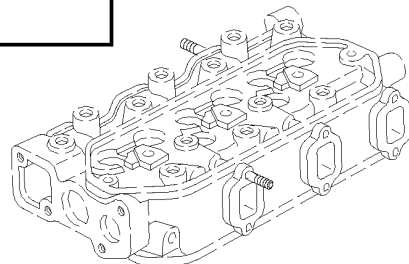
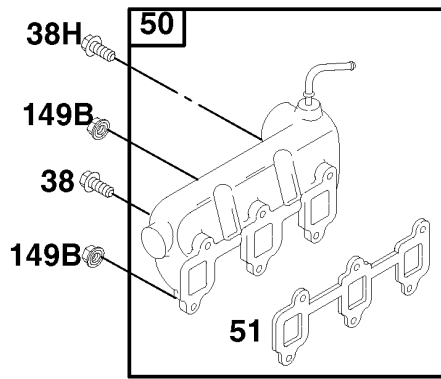
● Included in Gasket Set-Part Number 99-9667

■ Refer To Repair Manual MS 1055 For Assembly and/or Torque Requirements.



## Water Pump Assembly

Ref.	Part Number	Qty.	Description
38	99-9004	2	Screw-Hex
291	99-9155	1	Thermostat
323	99-8153	1	Belt-V
36B	99-9157	1	Switch-Temperature, Water
38A	99-9111	4	Screw-Hex
49D	99-9151	2	Screw-Hex
62C	99-9152	1	Screw-Metric
839	104-3969	1	Fan-Engine
1062	99-9163	1	Gasket-Outlet
1063	99-9164	1	Pulley-Pump
1064	99-9165	1	Housing-Outlet
1065	99-9166	1	Gasket-Housing, Inlet
1066	99-9167	1	Housing-Inlet
1067	99-9168	1	Gasket-Pump, Water
1087	105-3832	1	Pump-Water
154D	99-9153	1	Nut-Hex, Metric
411B	99-9159	1	Plug
415A	99-9158	1	Plug



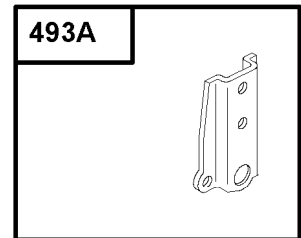
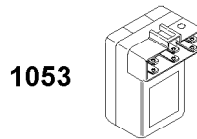
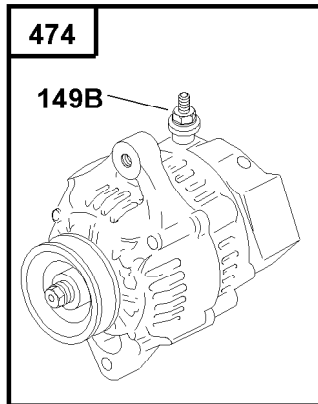
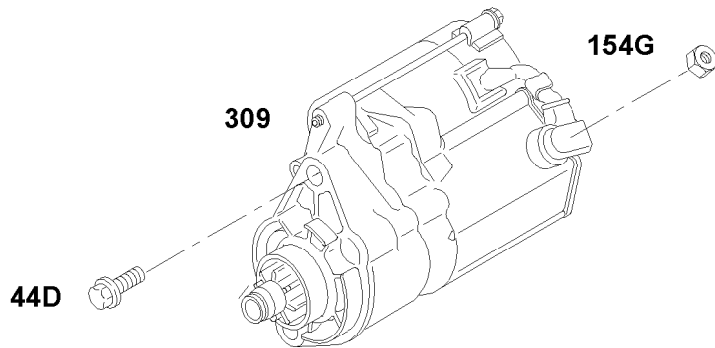
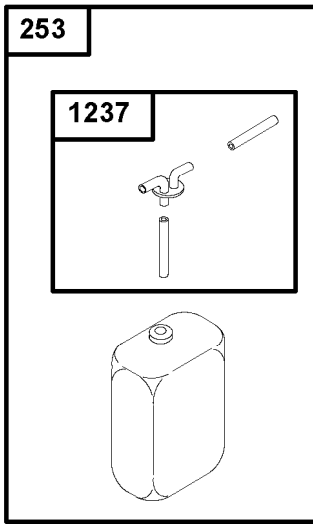
## Manifold Assembly

Ref.	Part Number	Qty.	Description
112G	100-6407	4	Stud-Manifold, Exhaust
149B	99-9114	2	Nut-Hex, Metric
154E	99-9175	6	Nut-Hex, Metric
154F	99-9176	4	Nut-Hex
38	99-9004	1	Screw-Hex
38H	99-9660	3	Screw-Hex
436	99-9177	1	Manifold-Exhaust ▲
50	99-9661	1	Manifold-Intake ▲
51	99-9662	1	Gasket-Intake ●■
883	99-9178	1	Gasket-Exhaust ●■
883A	99-9179	1	Gasket-Exhaust ●

● Included in Gasket Set-Part Number 99-9667

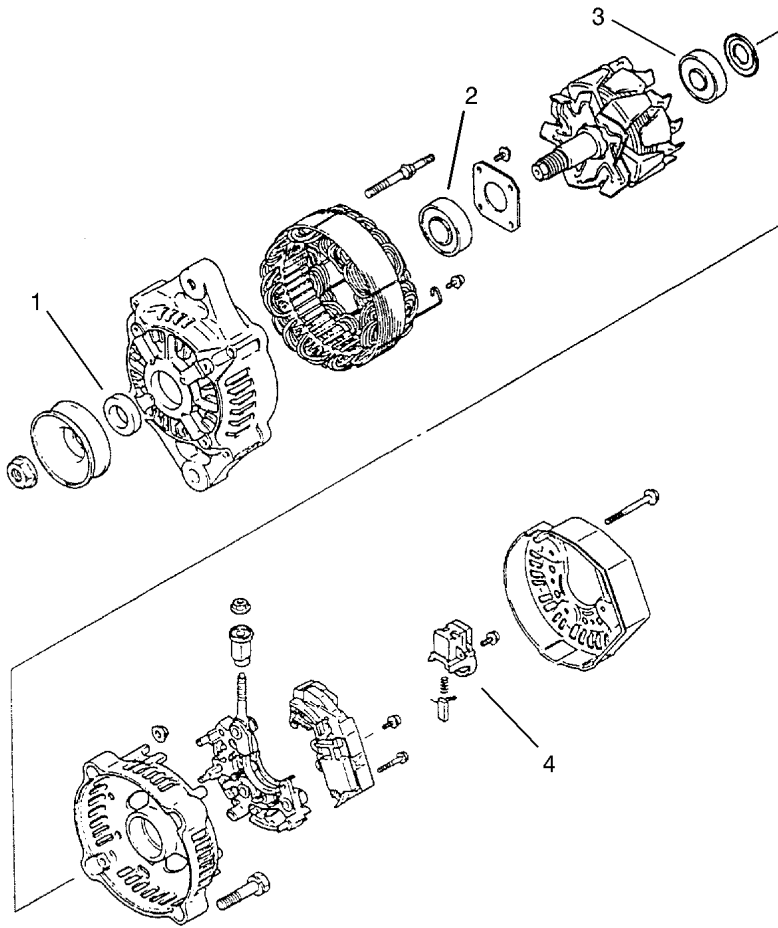
■ Included in Valve Overhaul Kit-Part Number 99-9668

▲ Refer To Repair Manual MS 1055 For Assembly and/or Torque Requirements.



## Starter and Alternator Assembly

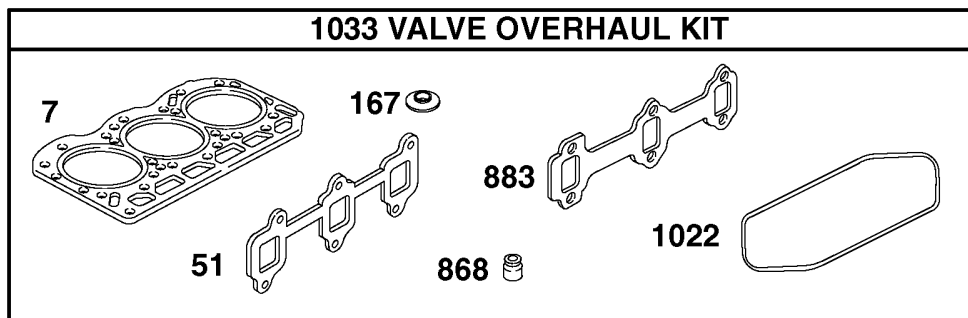
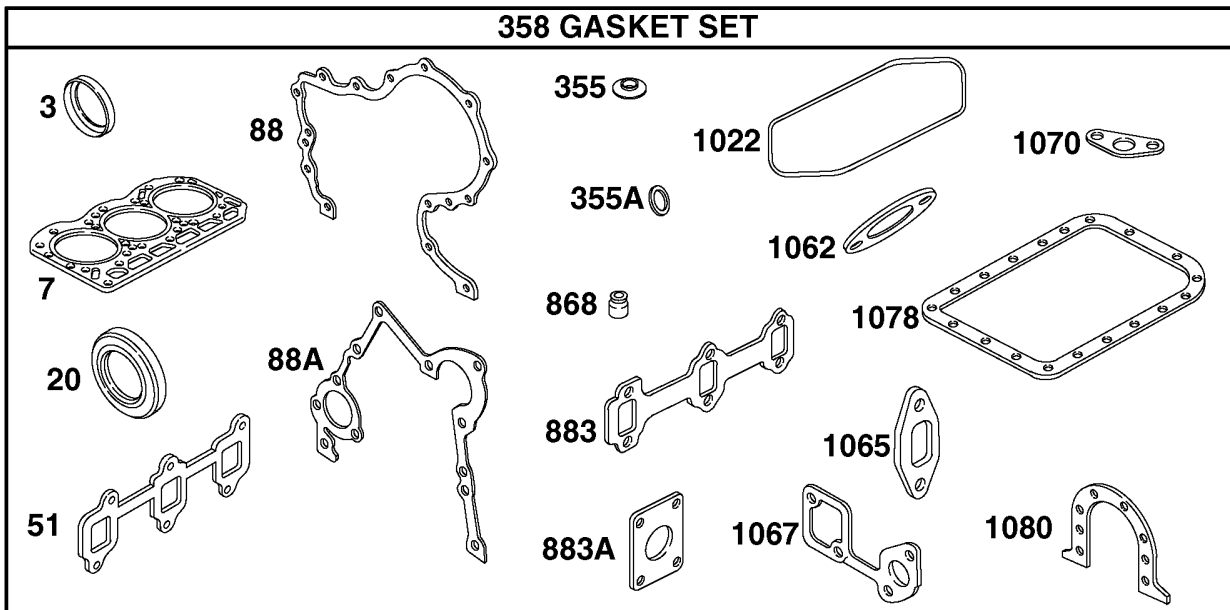
<i>Ref.</i>	<i>Part Number</i>	<i>Qty.</i>	<i>Description</i>
253	104-3930	1	Tank-Radiator, Surge
309	99-9207	1	Motor-Starter
44D	99-9201	2	Screw-Hex
474	99-9209	1	Alternator
1053	99-9666	1	Module
1237	106-1886	1	Hose / Clamp ASM
149B	99-9114	1	Nut-Hex, Metric
154G	99-9206	1	Nut-Hex, Metric
493A	104-3931	1	Mounting-Tank, Surge



Parts not listed in  
part list are not  
serviced separately

## Alternator Assembly No. 99-9209

<i>Ref.</i>	<i>Part Number</i>	<i>Qty.</i>	<i>Description</i>
1	100-5315	1	Collar
2	100-5316	1	Bearing
3	100-5317	1	Bearing
4	100-5318	1	Brush Holder ASM



## Gasket and Valve Overhaul Kit

Ref.	Part Number	Qty.	Description
3	99-9003	1	Seal-Oil ●
7	99-9612	1	Gasket-Head, Cylinder ●■
1022	99-9073	1	Gasket-Cover, Rocker ●■
1033	99-9668	1	Valve Overhaul Kit
1062	99-9163	1	Gasket-Outlet ●
1065	99-9166	1	Gasket-Housing, Inlet ●
1067	99-9168	1	Gasket-Pump, Water ●■
1070	99-9120	1	Gasket-Strainer, Oil ●
1078	99-9121	1	Gasket-Pan, Oil ●
1080	99-9021	1	Gasket-Retainer ●
20	99-9126	1	Seal-Oil ●
355	99-9063	1	Washer-Seal ●■
355A	99-9645	1	Washer-Seal ●
358	99-9667	1	Gasket-Set
51	99-9662	1	Gasket-Intake ●■
868	99-9643	6	Seal-Valve ●■
88	99-9653	1	Gasket-Cover, Gear ●
883	99-9178	1	Gasket-Exhaust ●■
883A	99-9179	1	Gasket-Exhaust ●
88A	99-9136	1	Gasket-Cover, Gear ●

● Included in Gasket Set-Part Number 99-9667

■ Included in Valve Overhaul Kit-Part Number 99-9668

# Attachments and Accessories

## For 03431 Reelmaster 2000-D

<b>Product Name</b>	<b>Model/Part</b>
5-Blade 27in Reel Mower.....	03210
5-Blade 32in Reel Mower.....	03212
Basket Kit .....	03227
27 inch Wiehle Roller Kit (3 inch Dia) .....	03233
32 inch Wiehle Roller Kit (3 inch dia).....	03234
8-Blade 27in Reel Mower.....	03237
8-Blade 32in Reel Mower.....	03238
11-Blade 27in Reel Mower.....	03239
Three-Wheel Drive Kit .....	03429
27 inch Full Roller Kit .....	03440
Lift Arm Kit, Reelmaster 2300-D .....	03471
Lift Arm Kit, Reelmaster 2600-D .....	03472
32 inch Full Roller Kit .....	03479
Turf Evaluator .....	04399
27 inch Bedknife-Highcut.....	104-1380
32 inch Bedknife-Highcut.....	104-1381
High HOC Support Kit.....	104-1395
27 inch Wiehle Roller Scraper Kit (3 inch Dia).....	104-1398
32 inch Wiehle Roller Scraper Kit (3 inch dia) .....	104-1399
27in Bedknife-Lowcut .....	105-6785
Adjustment Gauge Bar ASM.....	13-8199
Brush and Handle Kit.....	29-9100
Arm Rest Kit.....	30707
27 inch Full Roller Scraper Kit.....	60-9560
27 inch Sectional Roller ASM.....	62-4970
27 inch Anti-Scalp Roller ASM .....	63-5090
27 inch Comb Kit .....	67-9400
Weight Kit .....	83-9370
Weight .....	83-9390-01
Fixed Cutting Unit Kit .....	93-6915
27 inch and 32 inch Skid Kit.....	94-3664
Weight-Rear .....	94-3698-01
32 inch Full Roller Scraper Kit.....	94-5080
32 inch Anti-Scalp Roller ASM .....	94-5981
32 inch Sectional Roller ASM.....	94-5982



**Count on it.**