



Count on it.

Parts Catalog

722 Power Throw[®] Snowthrower

Model No. 38608—Serial No. 311000001 and Up

Ordering Replacement Parts

To order replacement parts, please supply the part number, the quantity, and the description of each part desired.

Understanding Reference Numbers

Each identified part in an illustration has a reference number. The reference number for a part also appears in the parts list, along with other information about the part.

This catalog uses two special reference number formats, one to indicate parts in a service assembly and another to indicate the quantity of a given part in an illustration.

Service Assembly Reference Numbers

Parts in service assemblies have reference numbers in the form a:b. The a represents the reference number of the entire service assembly and the b represents a sequential number unique to each part within the service assembly.

For example, a wheel assembly might be identified by reference number 6, the tire by 6:1, the valve by 6:2, and the wheel by 6:3. When you order the assembly identified by reference number 6, you receive all parts identified by reference numbers 6:1, 6:2, and 6:3. However, you may also order any part individually. Reference numbers of this type appear in illustration and in parts lists.

Reference Numbers Indicating Quantity

In an illustration, if a reference number indicates more than one part, the reference number has the form nX y. The n represents the quantity of the part, the X is the multiplication symbol, and the y represents the reference number.

For example, in an illustration, the reference number 2X 37 means that two of the parts identified by reference number 37 are indicated.

List of Abbreviations

AR: as required

ASM: assembly

BBC: blade brake control

BHTF: button head thread forming

CARR: carriage

CCW: counter clockwise

CW: clockwise

DEG: degrees

ECM: electronic control module

EXT: external

FH: flat head

GA: gauge

HD: heavy-duty

HF: hex flange

HH: hex head

HHF: hex head flange

HHFTF: hex head flange thread forming

HJ: hex jam

HLH: hex lag head

HOC: height-of-cut

HSBH: hex socket button head

HSFH: hex socket flat head

HSH: hex socket head

HWH: hex washer head

HWHTF: hex washer head thread forming

HYD: hydraulic

LH: left hand

LP: Liquid Propane

NI: nylon insert

NPTF: national pipe thread fine

PFH: phillips flat head

PPH: phillips pan head

PPHTF: phillips pan head thread forming

PRH: phillips round head

PTH: phillips truss head

PTO: power-take-off

RH: right hand

ROPS: roll-over protection system

RRB: rear roller brush

SFH: slotted fillister head

SHH: slotted hex head

SHWH: slotted hex washer head

SPH: slotted pan head

SQH: square head

SRH: slotted round head

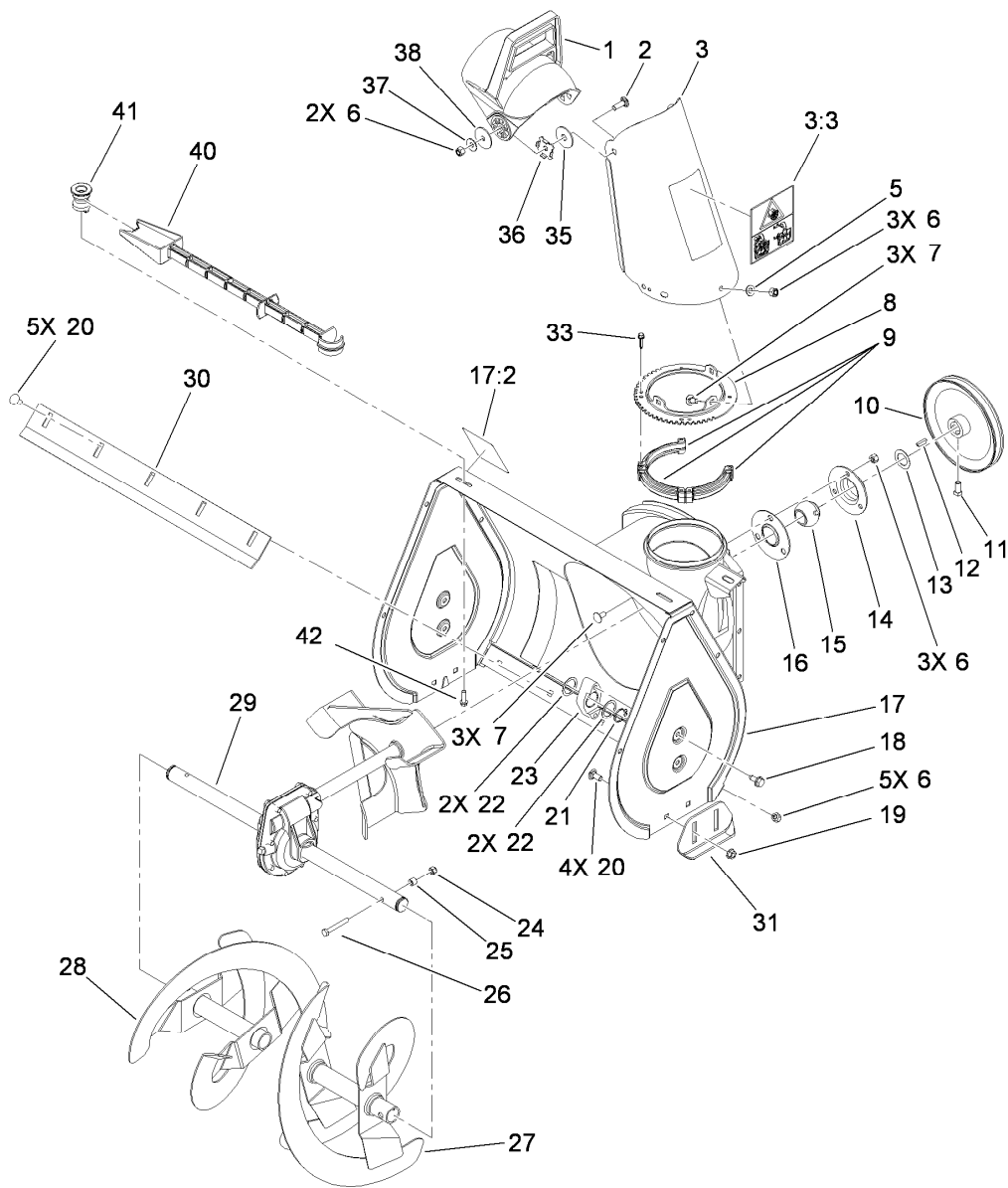
STD: standard

TAP: self tapping

TTH: torx truss head

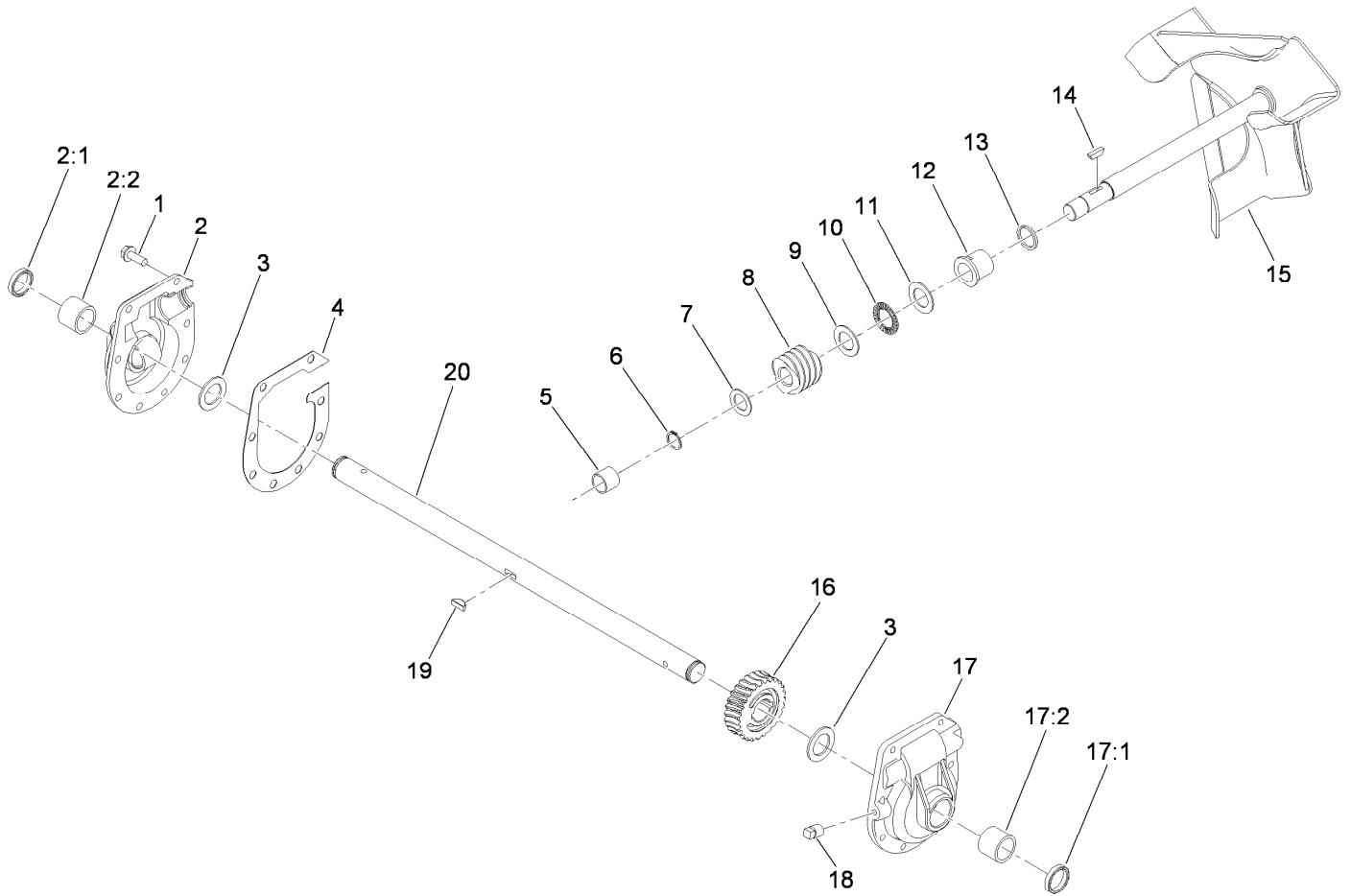
Contents

- Auger Housing Assembly 4
- 22 Inch Gear Case Assembly No. 37-6962 5
- Frame and Pulley Assembly 6
- Drive Assembly 7
- Engine Assembly 9
- Handle and Control Assembly 10
- Control Assembly 12
- Attachments and Accessories 13



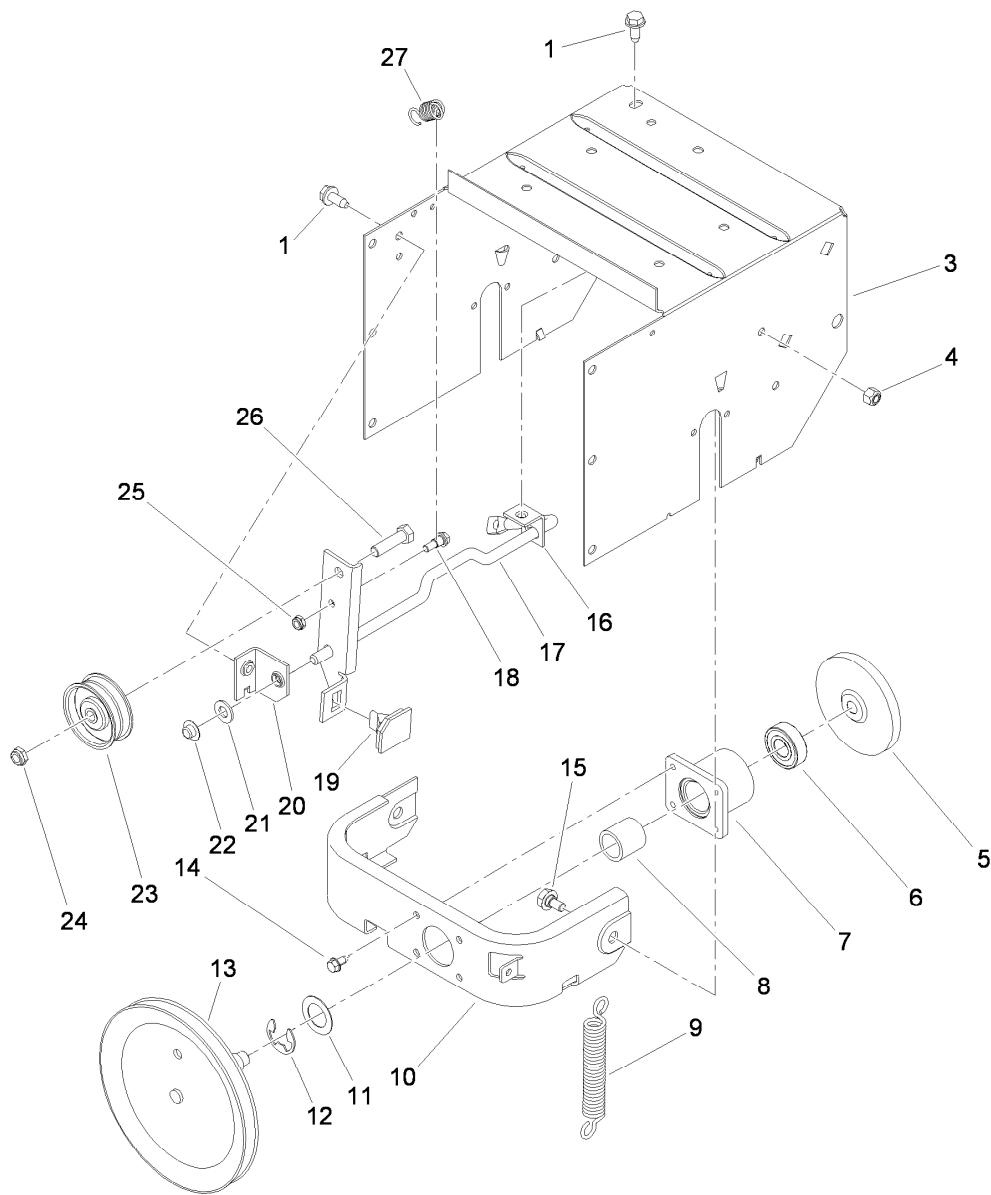
Auger Housing Assembly

Ref.	Part Number	Qty.	Description	Ref.	Part Number	Qty.	Description
1	56-2680	1	Chute-Deflector	20	3230-1	9	Bolt-CARR
2	3230-22	2	Screw-CARR	21	32151-36	2	Ring-Retaining
3	112-6605	1	Chute ASM	22	5-1550	4	Washer
3:3	112-6620	1	Decal-Danger, Discharge	23	37-6550	2	Bearing-Auger
5	3256-23	3	Washer-Flat	24	3296-42	2	Nut-Lock, NI
6	3296-29	13	Nut-Lock, NI	25	66-8010	2	Spacer-Hub, Impeller
7	3230-18	6	Screw-CARR	26	321-11	2	Screw-HH
8	37-8941-03	1	Ring-Chute	27	98-2271-03	1	Auger-LH
9	37-6490	3	Ring-Chute, Retainer	28	98-2270-03	1	Auger-RH
10	37-6890	1	Pulley	29	37-6962	1	22 Inch Gear Case ASM
11	3242-4	2	Screw-Set, SQH	30	100-3554-01	1	Blade-Scraper
12	3257-23	1	Key-Woodruff	31	40-8160-01	2	Skid
13	3-0737	1	Washer	33	27-0220	6	Screw-Special
14	26-6110	1	Flange-Cup, Bearing	35	20-4320	2	Washer-Rubber
15	63-3450	1	Bearing-Ball	36	55-8950	2	Plate-Friction
16	26-6120	1	Flange-Cup, Bearing	37	3290-456	2	Washer-Belleville
17	112-6641	1	Auger Housing ASM	38	3256-68	2	Washer-Flat
17:2	107-3040	1	Decal-Danger, Auger	40	110-3408	1	Stick-Cleanout
18	32144-70	4	Screw-HWHTF	41	110-6275	2	Holder-Stick
19	32128-20	4	Nut-HF	42	46-8091	2	Screw-HWH



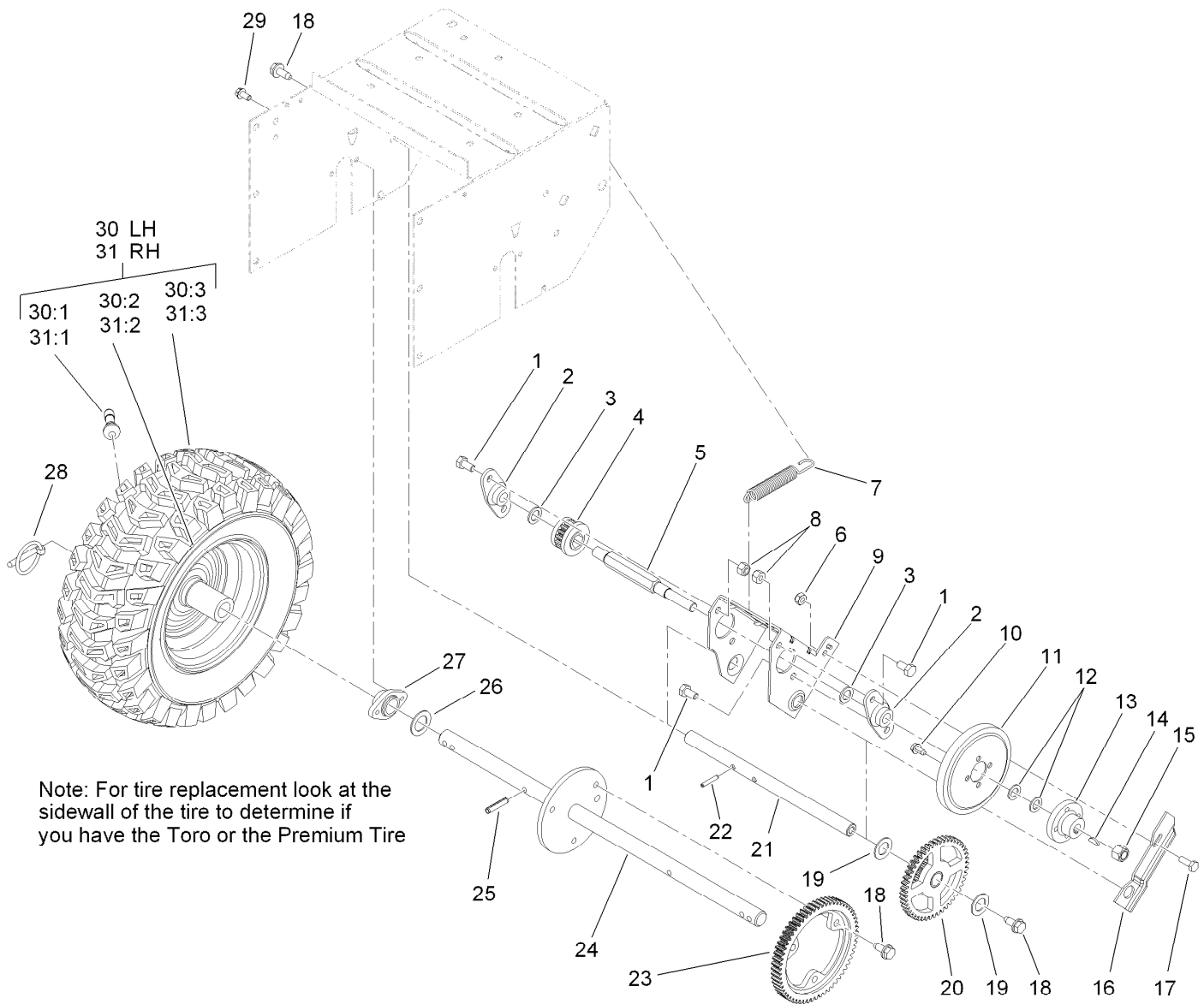
22 Inch Gear Case Assembly No. 37-6962

<i>Ref.</i>	<i>Part Number</i>	<i>Qty.</i>	<i>Description</i>	<i>Ref.</i>	<i>Part Number</i>	<i>Qty.</i>	<i>Description</i>
1	32144-41	8	Screw-Taptite	11	257-3	1	Washer-Thrust
2	14-2449	1	RH Bushing Case ASM	12	37-6560	1	Bushing-Input
2:1	7-0045	1	Seal-Oil	13	237-87	1	Ring-Quad
2:2	112-6635	1	Bushing-Sleeve	14	3257-23	1	Key-Woodruff
3	252-71	2	Washer-Thrust	15	37-6990-03	1	Impeller Shaft ASM
4	51-0460	1	Gasket-Case, Gear	16	115-5674	1	Worm-Gear
5	256-32	1	Bushing	17	14-2459	1	LH Bushing Case ASM
6	32120-72	1	Ring-Snap	17:1	7-0045	1	Seal-Oil
7	3-8664	1	Washer-Thrust	17:2	112-6635	1	Bushing-Sleeve
8	115-5669	1	Worm	18	281-1	1	Plug-Pipe, SQH
9	252-80	1	Washer-Thrust	19	3257-33	1	Key-Woodruff
10	252-76	1	Bearing-Thrust	20	37-6802	1	Shaft-Auger



Frame and Pulley Assembly

<i>Ref.</i>	<i>Part Number</i>	<i>Qty.</i>	<i>Description</i>	<i>Ref.</i>	<i>Part Number</i>	<i>Qty.</i>	<i>Description</i>
1	32144-70	2	Screw-HWHTF	15	37-8770	2	Bolt-Shoulder
3	37-8900-01	1	Frame-Traction	16	37-9070	1	Bracket-Mount, Rear
4	3296-29	2	Nut-Lock, NI	17	40-6511-03	1	Auger Clutch Rod ASM
5	38-0800	1	Plate-Friction	18	42-3560	1	Bolt-Shoulder
6	100-1048	1	Bearing-Ball	19	66-8060	1	Pad-Brake
7	88-0560	1	Hub-Frame, Traction	20	66-6790	1	Bracket-Mount, Front
8	256-322	1	Bushing	21	3256-24	1	Washer-Flat
9	37-8870	1	Spring-Plate, Friction	22	3290-320	1	Retainer-Push On
10	88-0550-03	1	Frame-Front	23	3-4244	1	Pulley-Idler
11	252-80	1	Washer-Thrust	24	3296-59	1	Nut-Lock, NI
12	32151-103	1	Ring-Retaining, EXT	25	3296-56	1	Nut-Lock, NI
13	88-0850	1	Pulley And Drive ASM	26	323-29	1	Screw-HH
14	32144-4	4	Screw-HWH	27	53-7570	1	Spring

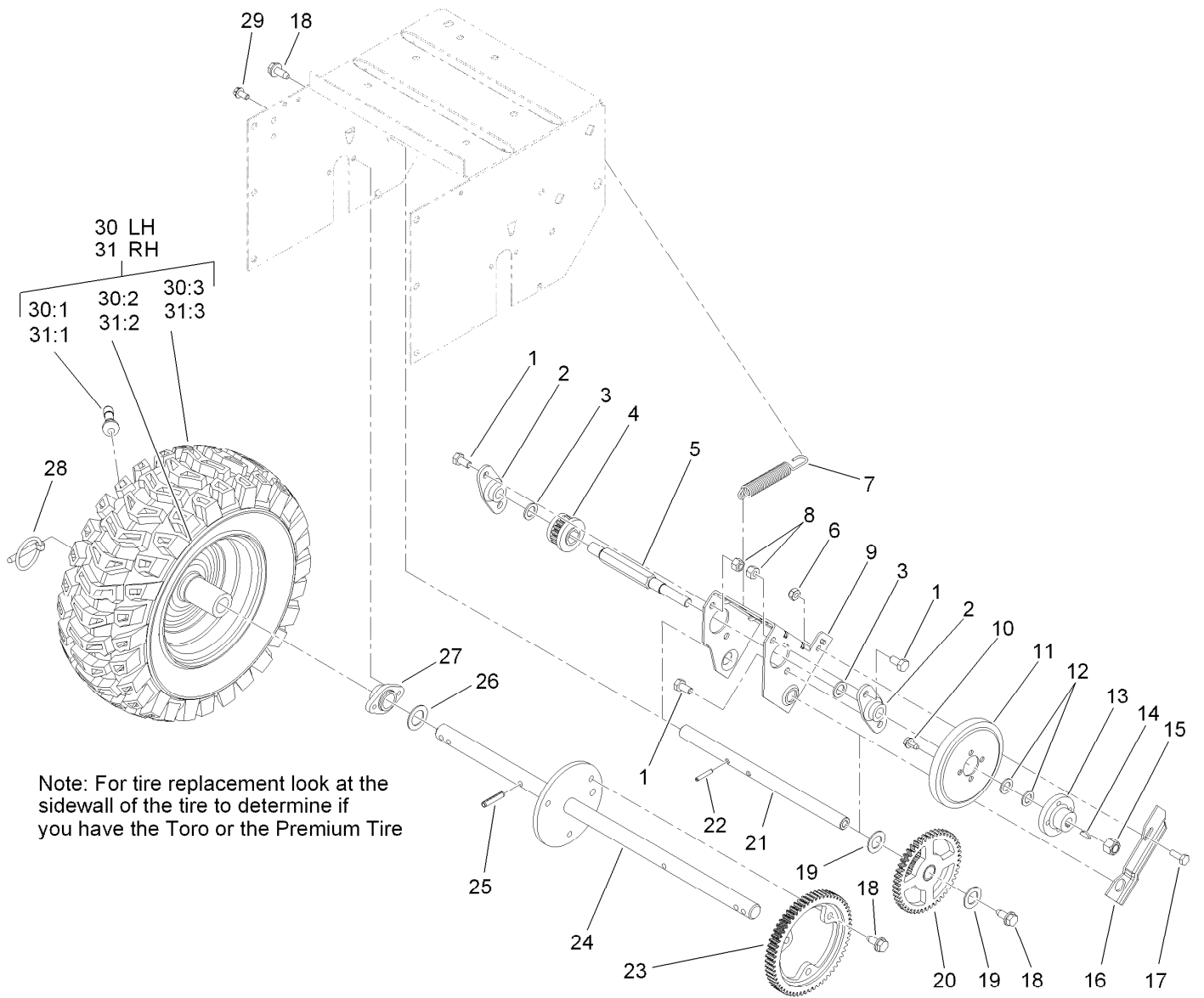


Note: For tire replacement look at the sidewall of the tire to determine if you have the Toro or the Premium Tire

Drive Assembly

Ref.	Part Number	Qty.	Description	Ref.	Part Number	Qty.	Description
1	322-2	4	Screw-HH	20	37-9160	1	Internal Gear And Bushing ASM
2	20-1620	2	Bearing-Wheel, Friction	21	37-6760	1	Shaft-Pivot
3	5-7570	2	Washer-Flat	22	32121-45	2	Pin-Spring
4	37-6500	1	Pinion	23	37-6520	1	Gear-Axle
5	37-6780	1	Shaft-Wheel, Friction	24	74-1350	1	Shaft-Axle
6	3296-16	1	Nut-Lock, NI	25	32121-9	2	Pin-Roll, Slotted
7	37-8880	1	Spring-Traction	26	3-8664	2	Washer-Thrust
8	3296-29	4	Nut-Lock, NI	27	37-6850	2	Bearing-Axle
9	39-1230	1	Bracket-Sliding	28	3290-243	2	Pin-Lynch
10	32144-4	4	Screw-HWH	29	32144-4	4	Screw-HWH
11	37-6570	1	Wheel-Friction	30		1	LH Wheel And Tire ASM ●
12	36-4790	2	Washer-Thrust	30:1	232-27	1	Stem-Valve
13	39-1520	1	Hub-Wheel, Friction	30:2	241-131	1	Rim-Wheel
14	3257-24	1	Key-Woodruff	30:3	112-6609	1	Tire (Embossed With Toro)
15	3296-48	1	Nut-Lock, NI	30:3	120-3071	1	Tire (Embossed With Premium)
16	39-1250	1	Cam-Receiver	31		1	RH Wheel And Tire ASM ●
17	321-4	1	Screw-HH	31:1	232-27	1	Stem-Valve
18	32144-70	5	Screw-HWHTF				
19	10-9280	2	Washer-Special				

● Not serviced separately

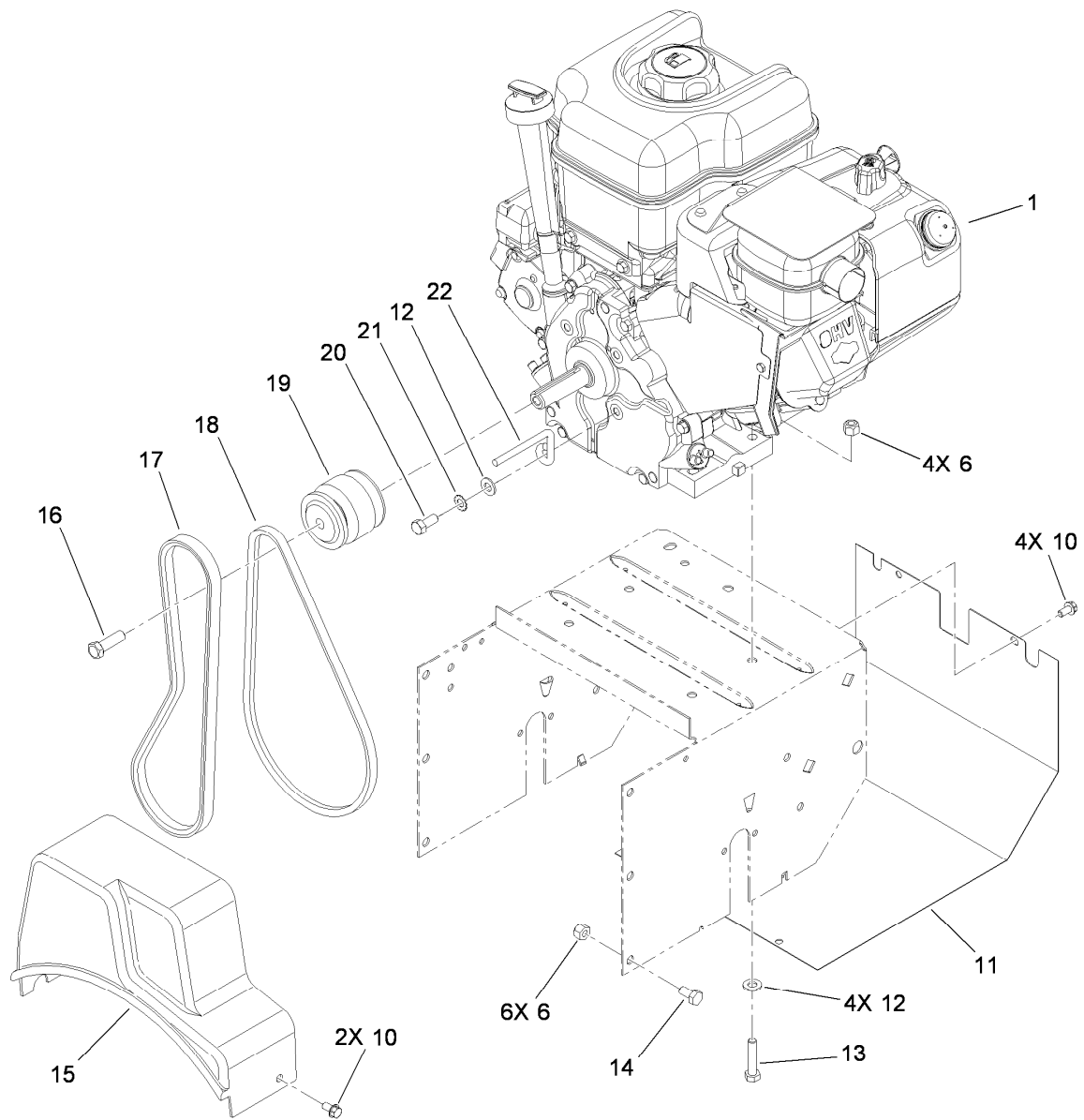


Note: For tire replacement look at the sidewall of the tire to determine if you have the Toro or the Premium Tire

Drive Assembly (continued)

<i>Ref.</i>	<i>Part Number</i>	<i>Qty.</i>	<i>Description</i>
31:2	241-131	1	Rim-Wheel
31:3	112-6609	1	Tire (Embossed With Toro)
31:3	120-3071	1	Tire (Embossed With Premium)

● Not serviced separately

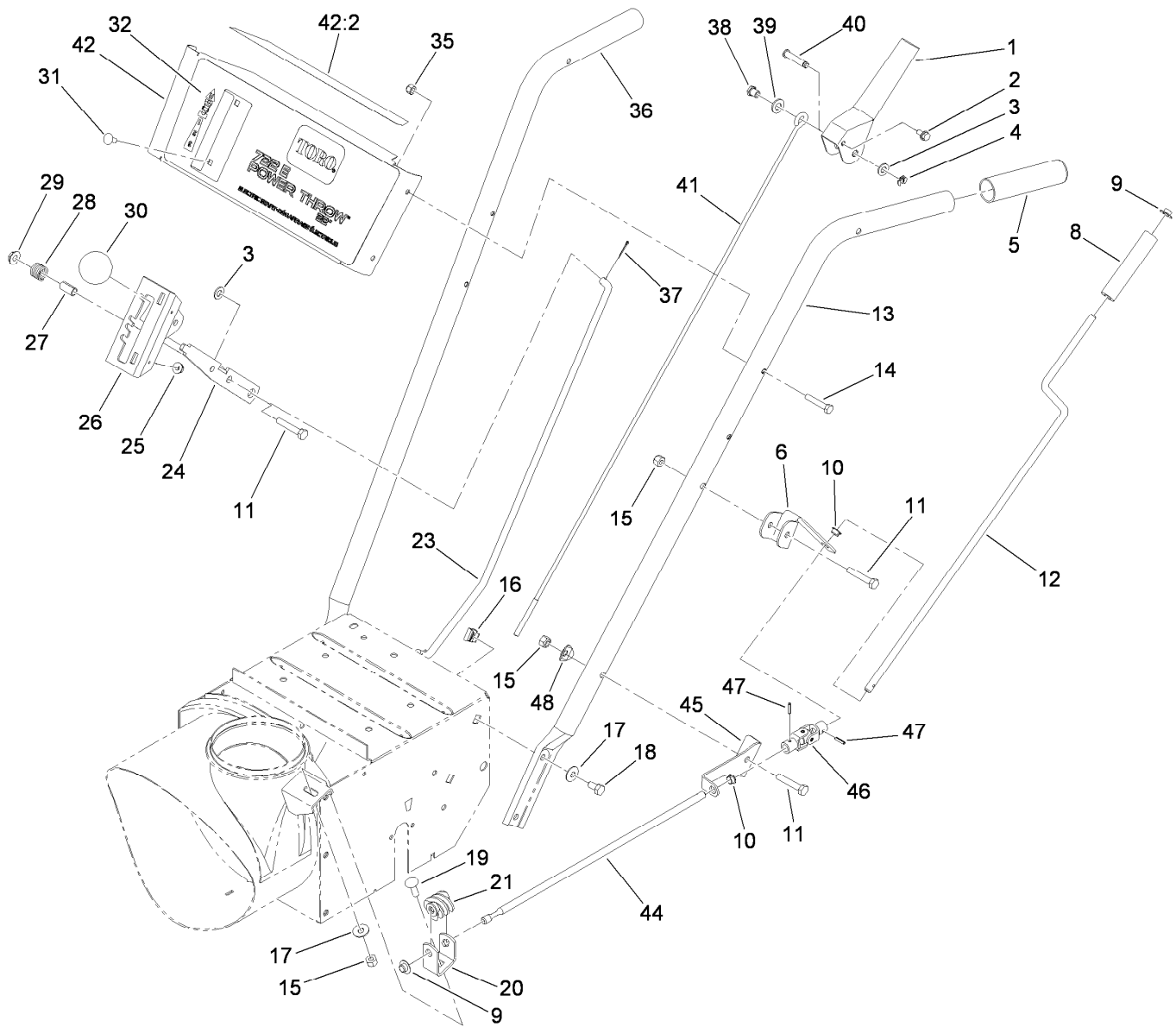


Engine Assembly

Ref.	Part Number	Qty.	Description
1		1	Engine-Briggs, 12D1030140E8 ●■
6	3296-29	10	Nut-Lock, NI
10	32144-4	6	Screw-HWH
11	37-6830-01	1	Cover-Traction, Lower
12	3256-23	5	Washer-Flat
13	322-7	4	Screw-HH
14	322-2	6	Screw-HH
15	37-6900	1	Cover-Belt
16	43-7290	1	Screw-Special
17	26-9672	1	V-Belt
18	37-9090	1	V Belt-3L, Traction
19	119-1585	1	Pulley-Engine
20	3210-3	1	Screw-HH
21	3255-8	1	Washer-Lock
22	37-8990	1	Retainer-Belt

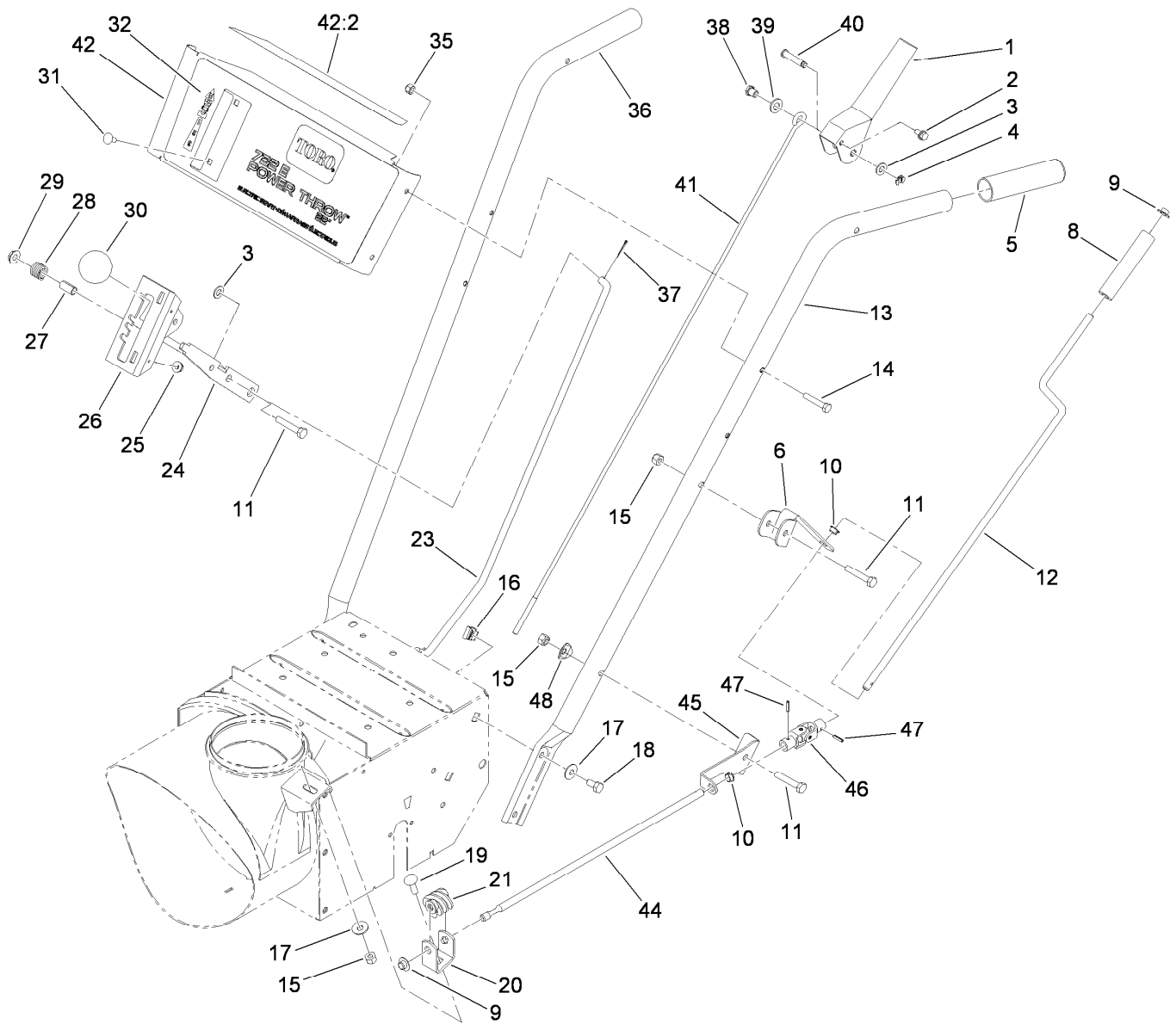
● Not serviced separately

■ Obtain parts from www.briggsandstratton.com



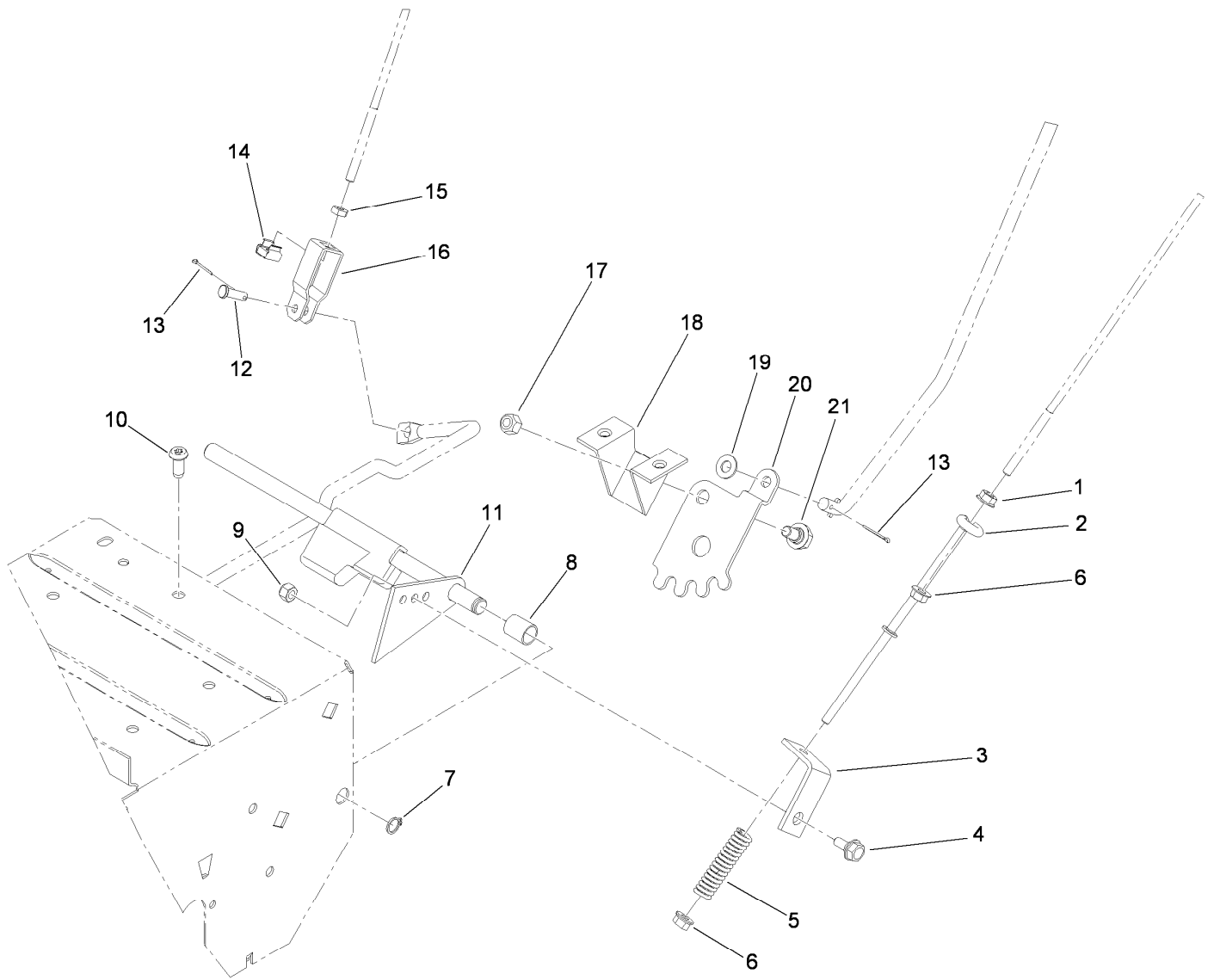
Handle and Control Assembly

Ref.	Part Number	Qty.	Description	Ref.	Part Number	Qty.	Description
1	94-8887-03	2	Handle-Control	24	37-8820-03	1	Selector-Speed
2	3234-13	2	Screw-HHF	25	32128-33	2	Nut-HF
3	3256-23	3	Washer-Flat	26	39-1280-03	1	Mount-Selector, Speed
4	32151-73	2	Ring-Clip	27	40-8130	1	Spacer
5	112-6615	2	Grip-Handle	28	37-9150	1	Spring
6	110-6297	1	Bracket-Rod, Upper Chute	29	32128-13	1	Nut-HHF
8	40-8230	1	Grip-Control, Chute	30	233-21	1	Knob
9	3290-320	2	Retainer-Push On	31	3229-11	2	Screw-CARR
10	256-249	2	Bushing	32	119-1586	1	Decal-Panel, Control
11	322-9	3	Screw-HH	35	3296-42	4	Nut-Lock, NI
12	110-6293	1	Rod-Chute, Upper	36	52-5561-03	1	Handle-Right
13	110-6296-03	1	Handle-Left	37	3272-4	1	Pin-Cotter
14	321-9	4	Screw-HH	38	47-4990	2	Post-Mounting, Linkage
15	3296-29	3	Nut-Lock, NI	39	3256-24	2	Washer-Flat
16	3290-196	4	Nut	40	52-5600	2	Pin-Lever, Control
17	3290-456	5	Washer-Belleville	41	52-5590	2	Link-Upper
18	322-2	4	Screw-HH	42	112-6643	1	Escutcheon Panel ASM
19	3230-22	1	Screw-CARR	42:2	112-6624	1	Decal-Escutcheon, Back
20	110-6298	1	Bracket-Worm	44	110-6292	1	Rod-Chute, Lower
21	40-8250	1	Gear-Worm, Chute	45	119-8758-03	1	Bracket-Rod, Lower
23	39-7570	1	Rod-Selector, Speed	46	94-2686	1	Joint-Universal



Handle and Control Assembly (continued)

Ref.	Part Number	Qty.	Description
47	32121-73	2	Pin-Roll
48	107-3844	1	Washer



Control Assembly

<i>Ref.</i>	<i>Part Number</i>	<i>Qty.</i>	<i>Description</i>	<i>Ref.</i>	<i>Part Number</i>	<i>Qty.</i>	<i>Description</i>
1	32128-33	1	Nut-HF	12	1-808265	1	Pin-Clevis
2	39-3060	1	Rod-Traction, Lower	13	3272-4	2	Pin-Cotter
3	38-4490	1	Bracket-Traction	14	32115-5	1	Nut-Retained
4	40-8350	1	Screw	15	3218-1	1	Nut-Jam
5	38-4520	1	Spring	16	39-3080	1	Clevis
6	32128-32	2	Nut-HHF	17	3296-29	1	Nut-Lock, NI
7	32151-61	1	Ring-Retaining	18	37-8790	1	Mount-Lever
8	40-9680	1	Spacer	19	3256-23	1	Washer-Flat
9	3296-42	1	Nut-Lock, NI	20	37-8800	1	Gear-Quadrant
10	613381	2	Screw-Button Head	21	37-8770	1	Bolt-Shoulder
11	43-7310-03	1	Traction Arm ASM				

Attachments and Accessories

For 38608 722 Power Throw Snowthrower

Product Name	Model/Part
22 Inch Drift Breaker	37-7022
Tire Chain Kit	56-2700
Snow Cab	88-0600

Notes:

Notes:



Count on it.