



Count on it.

Parts Catalog

Commercial 21in Lawn Mower

Model No. 22155—Serial No. 311000001 and Up

Ordering Replacement Parts

To order replacement parts, please supply the part number, the quantity, and the description of each part desired.

Understanding Reference Numbers

Each identified part in an illustration has a reference number. The reference number for a part also appears in the parts list, along with other information about the part.

This catalog uses two special reference number formats, one to indicate parts in a service assembly and another to indicate the quantity of a given part in an illustration.

Service Assembly Reference Numbers

Parts in service assemblies have reference numbers in the form a:b. The a represents the reference number of the entire service assembly and the b represents a sequential number unique to each part within the service assembly.

For example, a wheel assembly might be identified by reference number 6, the tire by 6:1, the valve by 6:2, and the wheel by 6:3. When you order the assembly identified by reference number 6, you receive all parts identified by reference numbers 6:1, 6:2, and 6:3. However, you may also order any part individually. Reference numbers of this type appear in illustration and in parts lists.

Reference Numbers Indicating Quantity

In an illustration, if a reference number indicates more than one part, the reference number has the form nX y. The n represents the quantity of the part, the X is the multiplication symbol, and the y represents the reference number.

For example, in an illustration, the reference number 2X 37 means that two of the parts identified by reference number 37 are indicated.

List of Abbreviations

AR: as required

ASM: assembly

BBC: blade brake control

BHTF: button head thread forming

CARR: carriage

CCW: counter clockwise

CW: clockwise

DEG: degrees

DPA: Dual Point Adjustment

ECM: electronic control module

EXT: external

FH: flat head

GA: gauge

HD: heavy-duty

HF: hex flange

HH: hex head

HHF: hex head flange

HHFTF: hex head flange thread forming

HJ: hex jam

HLH: hex lag head

HOC: height-of-cut

HSBH: hex socket button head

HSFH: hex socket flat head

HSH: hex socket head

HWH: hex washer head

HWTF: hex washer head thread forming

HYD: hydraulic

LH: left hand

LP: Liquid Propane

NI: nylon insert

NPTF: national pipe thread fine

PFH: phillips flat head

PPH: phillips pan head

PPHTF: phillips pan head thread forming

PRH: phillips round head

PTH: phillips truss head

PTO: power-take-off

RH: right hand

ROPS: roll-over protection system

RRB: rear roller brush

SFH: slotted fillister head

SHH: slotted hex head

SHWH: slotted hex washer head

SPH: slotted pan head

SQH: square head

SRH: slotted round head

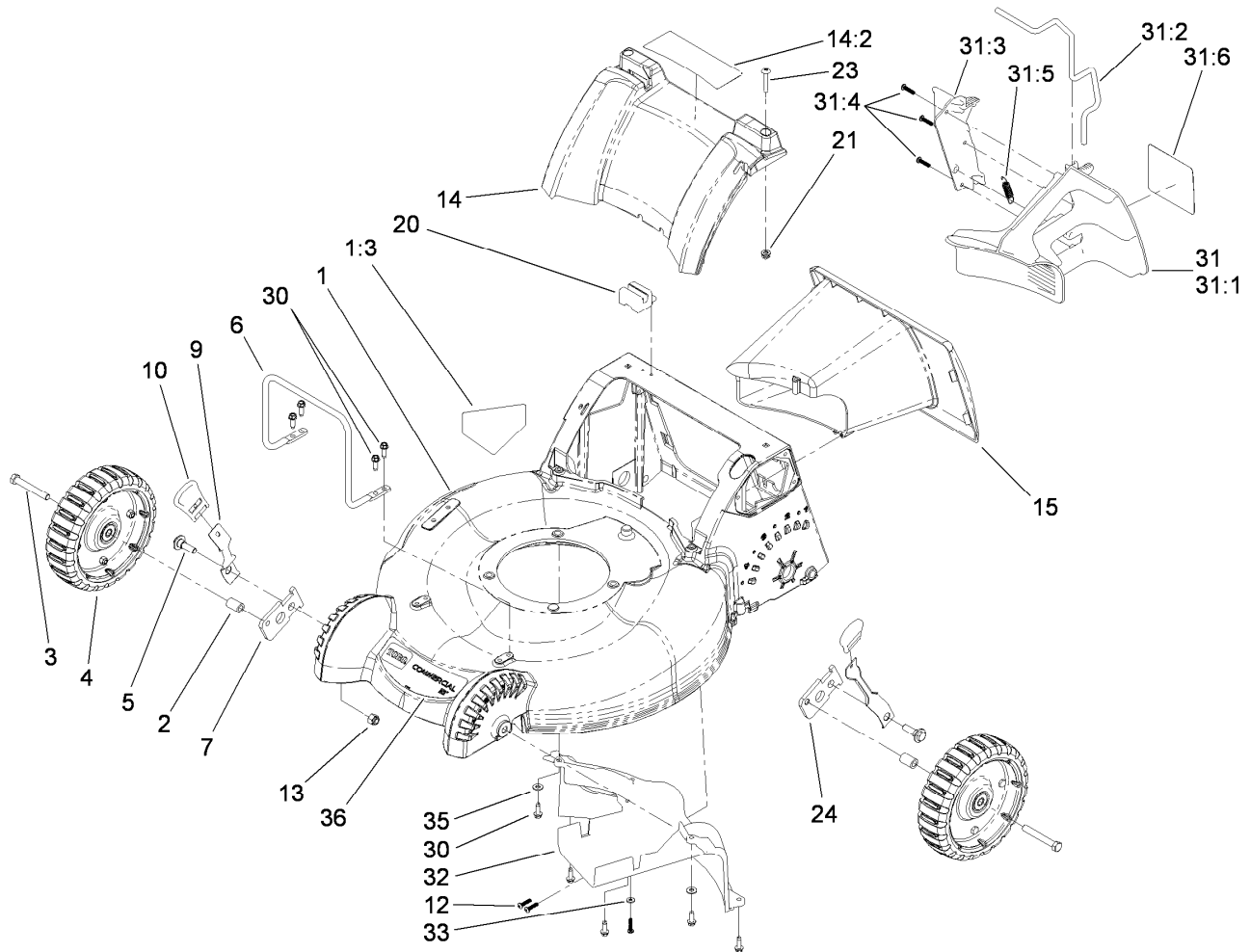
STD: standard

TAP: self tapping

TTH: torx truss head

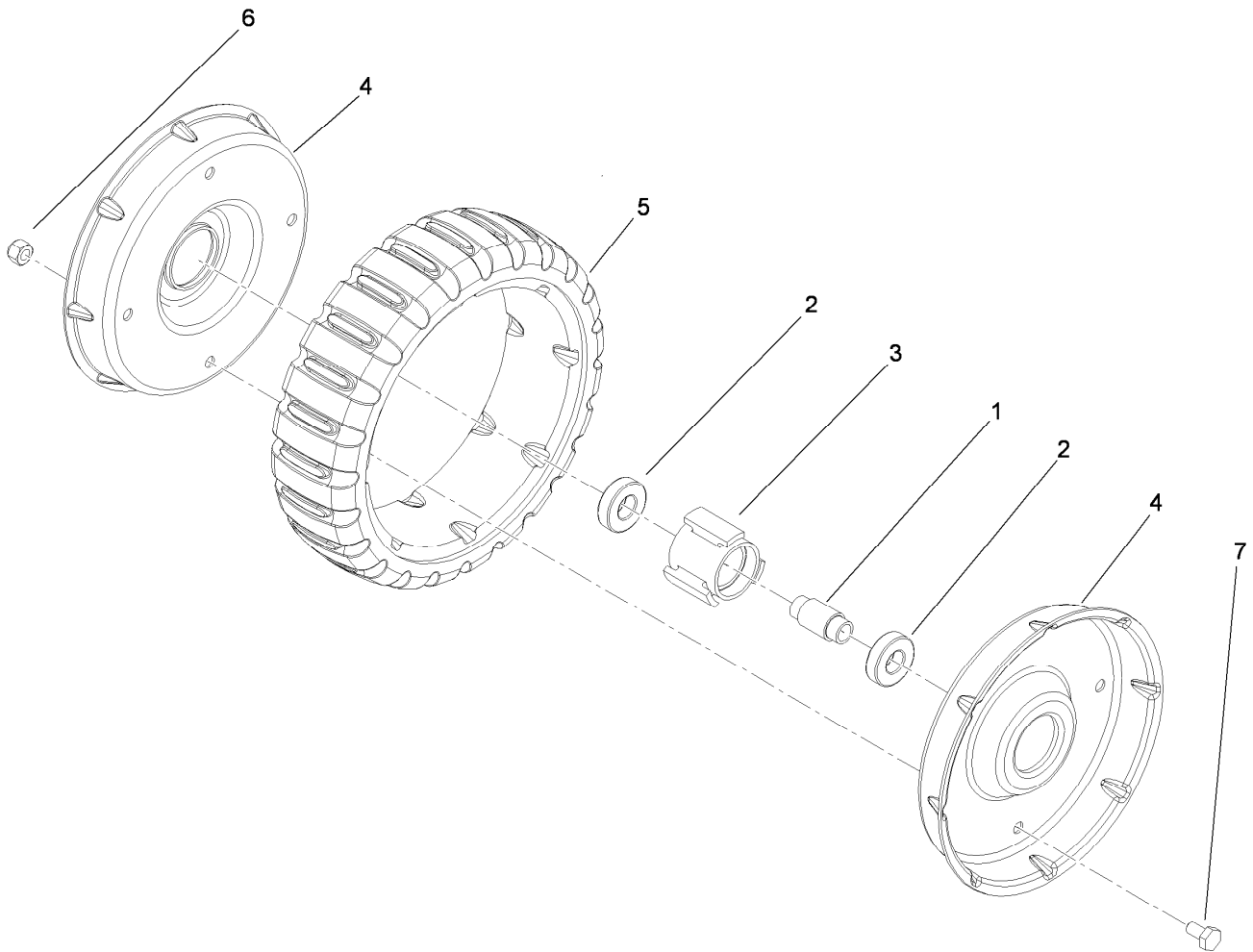
Contents

- Front End and Tunnel Assembly 4
- Wheel Assembly No. 117-5252 5
- Discharge Door Assembly 6
- Rear Wheel Assembly 7
- Engine and Blade Assembly 8
- Handle Assembly 9
- Rear Bag Assembly 10



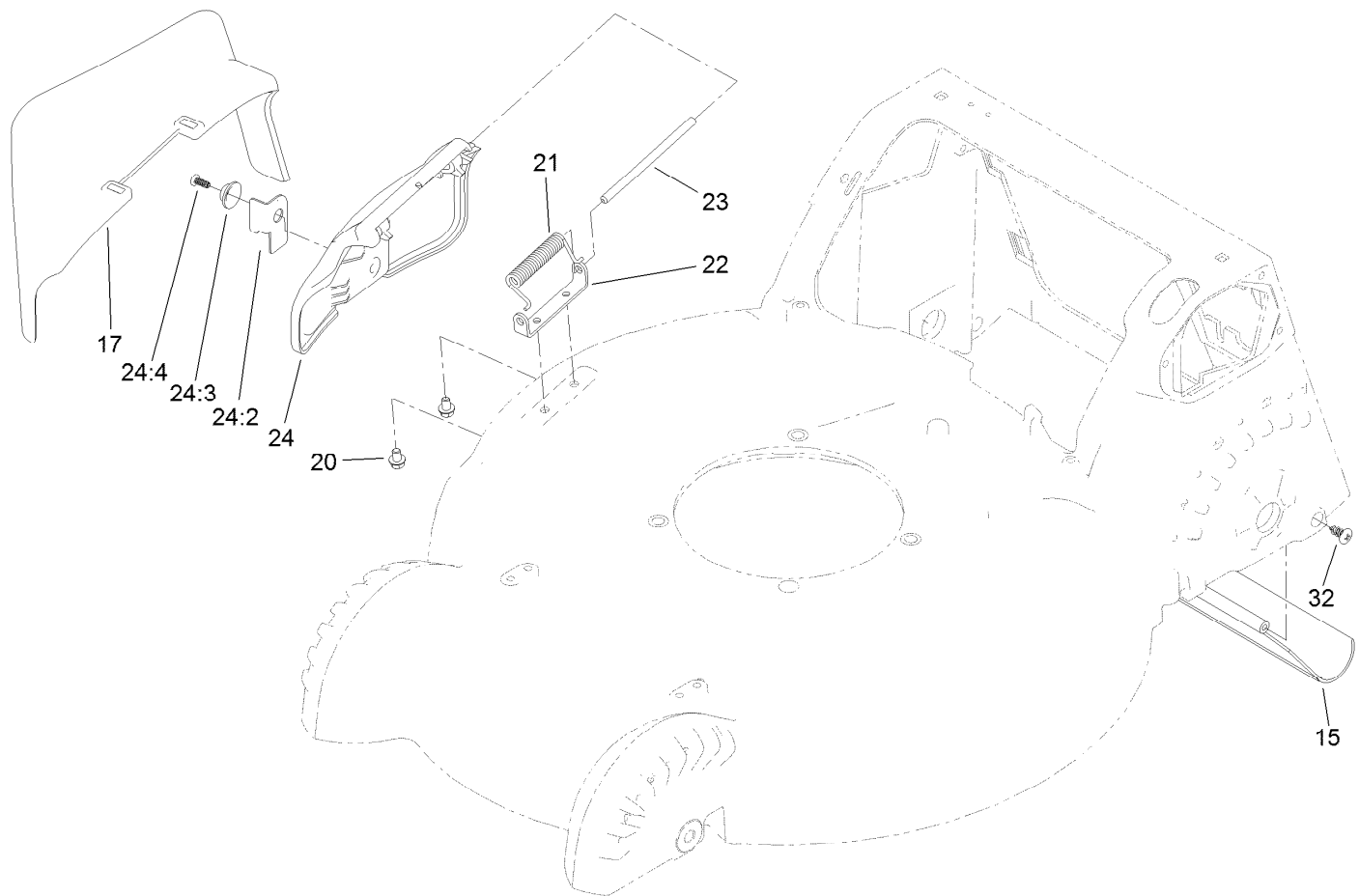
Front End and Tunnel Assembly

Ref.	Part Number	Qty.	Description	Ref.	Part Number	Qty.	Description
1	117-5266	1	Housing ASM	21	94-1610	2	Nut-Clip
1:3	94-8072	1	Decal-Danger	23	108-0965	2	Screw-PTH
2	114-2754	2	Spacer	24	110-9420	1	Arm-Pivot, LH
3	323-13	2	Screw-HH	30	49-2040	9	Screw-HWHTF
4	117-5252	2	8-Inch Wheel ASM	31	110-9468	1	Mulch Plug ASM
5	614672	2	Bolt-Shoulder	31:1	110-9446	1	Plug-Mulch, LH
6	110-9475-03	1	Guard-Engine	31:2	110-9448	1	Latch-Plug, Mulch
7	110-9421	1	Arm-Pivot, RH	31:3	110-9447	1	Plug-Mulch, RH
9	110-9434	2	Arm-Spring, Front	31:4	108-7476	3	Screw-Plastite
10	110-0549	2	Knob-HOC	31:5	110-9458	1	Spring-Extension
12	108-7476	6	Screw-Plastite	31:6	110-9457	1	Decal-Plug, Mulch
13	3296-39	2	Nut-Lock, NI	32	110-9413	1	Baffle-Rear
14	115-3177	1	Cover-Rear	33	3256-14	1	Washer-Flat
14:2	114-2820	1	Decal-Warning	35	3256-22	2	Washer-Flat
15	110-9455	1	Tunnel	36	117-5247	1	Decal-Housing, Front
20	110-1786	1	Module-Switch				



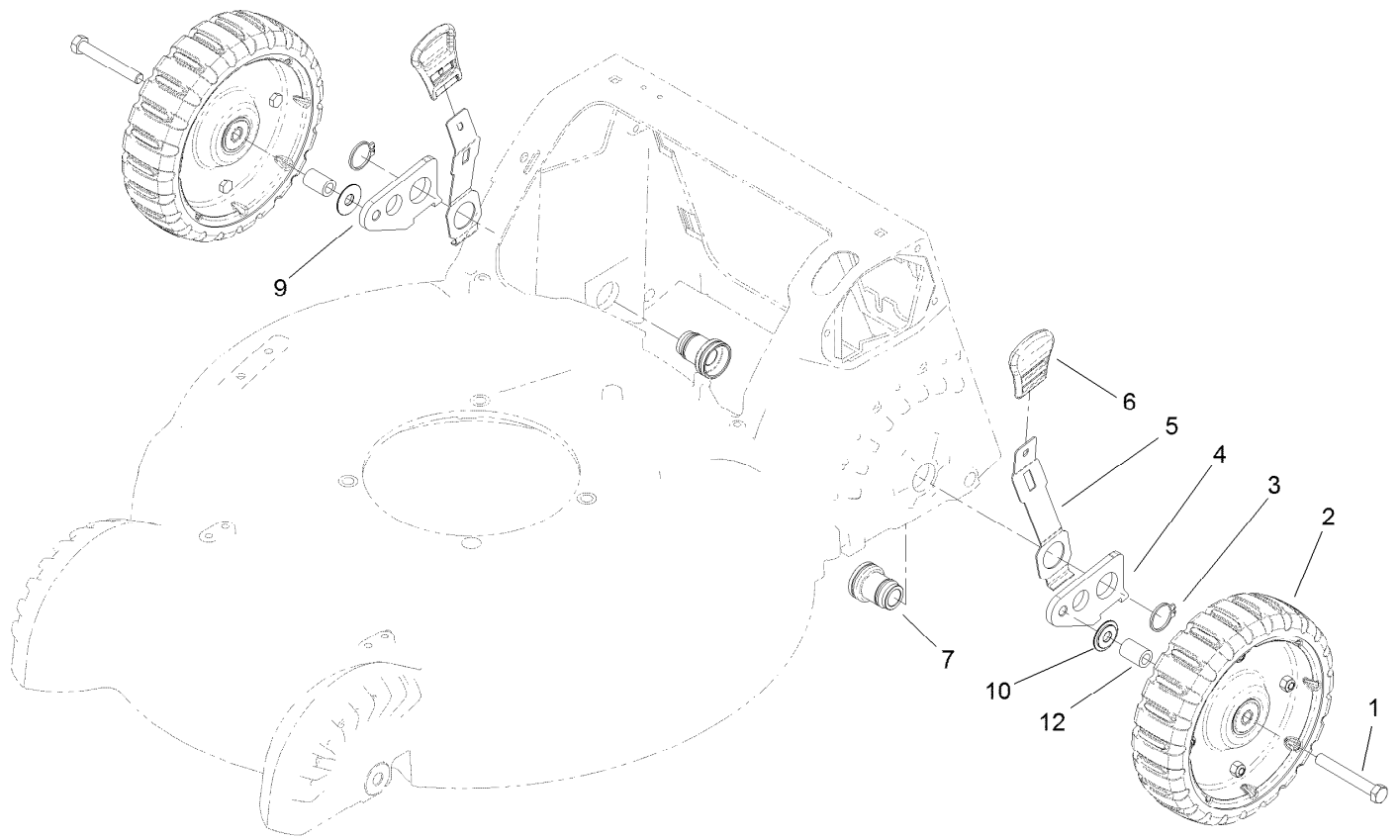
Wheel Assembly No. 117-5252

<i>Ref.</i>	<i>Part Number</i>	<i>Qty.</i>	<i>Description</i>
1	52-2440	1	Spacer-Bearing
2	52-2450	2	Bearing-Wheel
3	52-2410	1	Hub-Bearing
4	117-5250	2	Wheel-Half
5	110-9499	1	Tire-8 Inch
6	3296-42	4	Nut-Lock, NI
7	321-2	4	Screw-HH



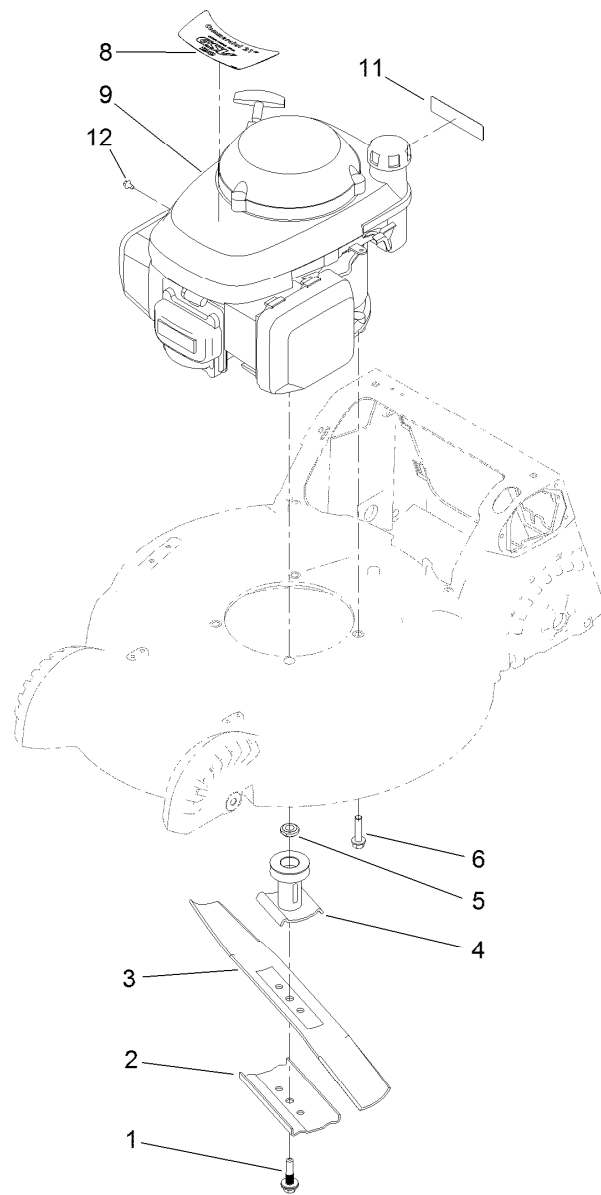
Discharge Door Assembly

<i>Ref.</i>	<i>Part Number</i>	<i>Qty.</i>	<i>Description</i>
15	112-8768	1	Shield-Trailing
17	105-3028	1	Chute-Discharge, Side
20	99-8445	2	Screw-HWH
21	99-5293	1	Spring-Torsion
22	112-6416	1	Bracket-Cover
23	99-5291	1	Rod-Cover
24	106-8376	1	Discharge Door ASM
24:2	107-0795	1	Latch-Door
24:3	107-7456	1	Cap-Door
24:4	107-7461	1	Screw-Plastite
32	117-1092	2	Screw-PTH



Rear Wheel Assembly

Ref.	Part Number	Qty.	Description
1	323-13	2	Screw-HH
2	117-5252	2	8-Inch Wheel ASM
3	32151-36	2	Ring-Retaining
4	108-9344	1	Arm-Rear Pivot, LH
5	110-9445	2	Arm-Spring, Rear
6	110-0549	2	Knob-HOC
7	110-9422	2	Retainer-Bearing
9	108-9343	1	Arm-Rear Pivot, RH
10	614426	2	Washer-Stepped
12	114-2754	2	Spacer

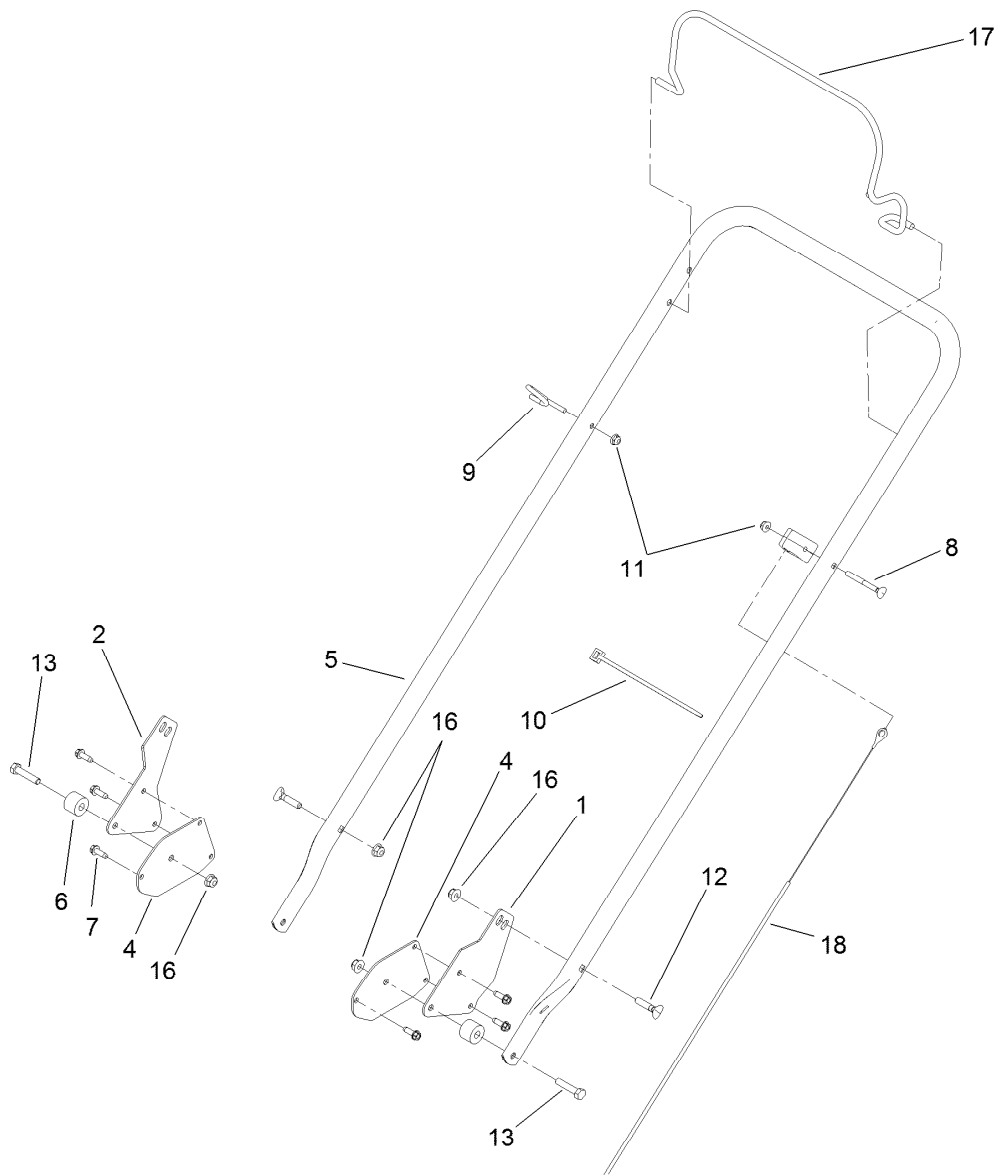


Engine and Blade Assembly

Ref.	Part Number	Qty.	Description
1	117-5270	1	Bolt-Blade
2	108-3766-03	1	Support-Blade
3	108-3759-03	1	Blade-Bagging
4	114-2774	1	Driver-Blade
5	106-3999	1	Spacer-Driver
6	32144-102	3	Screw-HWH
8	117-5245	1	Decal-Engine
9		1	Engine-Honda, Gsv190 ●■
11	117-2718	1	Decal-Arrester, Spark
12	98-1394	1	Screw-HWH

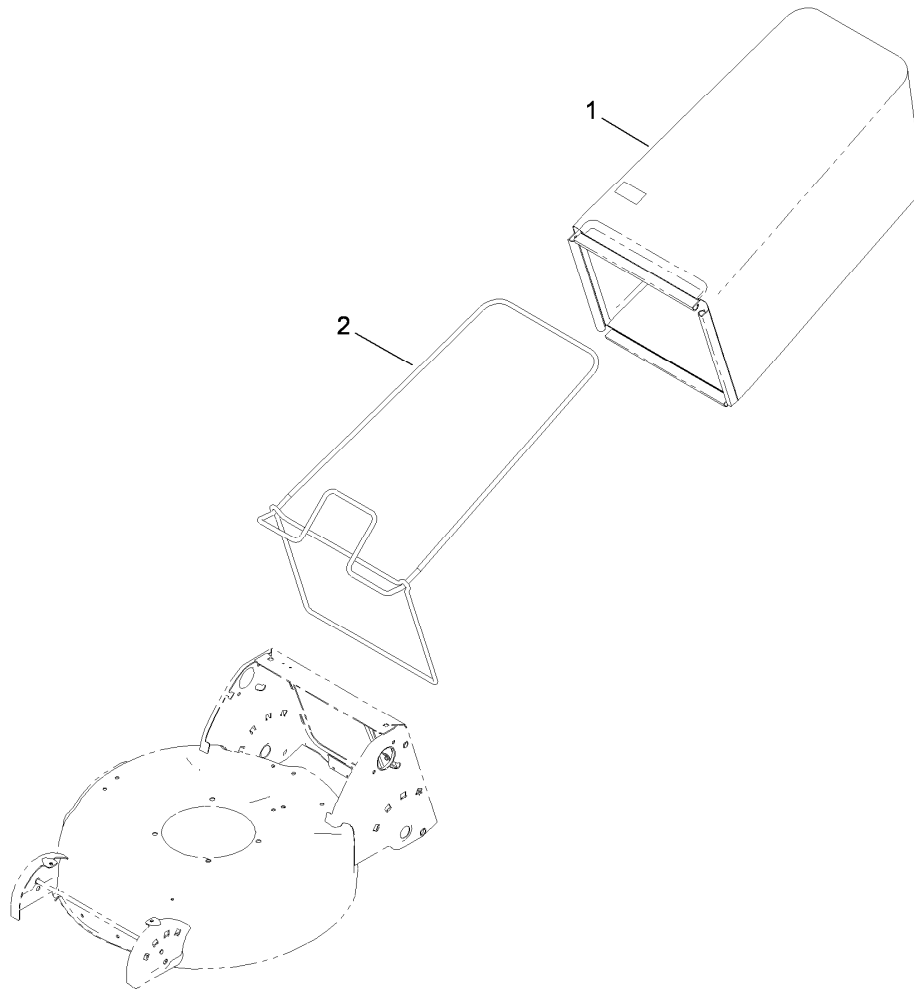
● Not serviced separately

■ Obtain parts from www.honda-engines.com



Handle Assembly

Ref.	Part Number	Qty.	Description
1	110-9494-03	1	Support-Strut, LH
2	110-9495-03	1	Support-Strut, RH
4	110-9471-03	2	Plate-Handle
5	119-2372-03	1	Handle
6	112-8797-03	2	Spacer
7	49-2040	6	Screw-HWHTF
8	92-2270	1	Screw-Handle
9	114-2775	1	Guide-Rope
10	3290-378	1	Tie-Cable
11	104-7201	2	Nut-HF
12	92-4095	2	Screw-Handle
13	322-7	2	Screw-HH
16	104-8300	4	Nut-Flange, NI
17	119-2388-03	1	Bail-Brake
18	119-2352	1	Cable-Brake



Rear Bag Assembly

<i>Ref.</i>	<i>Part Number</i>	<i>Qty.</i>	<i>Description</i>
1	117-4191	1	Grass Bag ASM
2	112-8750-03	1	Frame-Bag

Notes:



Count on it.