



Count on it.

Parts Catalog

Commercial Walk-Behind Mower

**Fixed Deck, T-Bar, Gear Drive with 48in
TURBO FORCE® Cutting Unit**

Model No. 30678—Serial No. 311000001 and Up

Ordering Replacement Parts

To order replacement parts, please supply the part number, the quantity, and the description of each part desired.

Understanding Reference Numbers

Each identified part in an illustration has a reference number. The reference number for a part also appears in the parts list, along with other information about the part.

This catalog uses two special reference number formats, one to indicate parts in a service assembly and another to indicate the quantity of a given part in an illustration.

Service Assembly Reference Numbers

Parts in service assemblies have reference numbers in the form a:b. The a represents the reference number of the entire service assembly and the b represents a sequential number unique to each part within the service assembly.

For example, a wheel assembly might be identified by reference number 6, the tire by 6:1, the valve by 6:2, and the wheel by 6:3. When you order the assembly identified by reference number 6, you receive all parts identified by reference numbers 6:1, 6:2, and 6:3. However, you may also order any part individually. Reference numbers of this type appear in illustration and in parts lists.

Reference Numbers Indicating Quantity

In an illustration, if a reference number indicates more than one part, the reference number has the form nX y. The n represents the quantity of the part, the X is the multiplication symbol, and the y represents the reference number.

For example, in an illustration, the reference number 2X 37 means that two of the parts identified by reference number 37 are indicated.

List of Abbreviations

AR: as required

ASM: assembly

BBC: blade brake control

BHTF: button head thread forming

CARR: carriage

CCW: counter clockwise

CW: clockwise

DEG: degrees

DPA: Dual Point Adjustment

ECM: electronic control module

EXT: external

FH: flat head

GA: gauge

HD: heavy-duty

HF: hex flange

HH: hex head

HHF: hex head flange

HHFTF: hex head flange thread forming

HJ: hex jam

HLH: hex lag head

HOC: height-of-cut

HSBH: hex socket button head

HSFH: hex socket flat head

HSH: hex socket head

HWH: hex washer head

HWTF: hex washer head thread forming

HYD: hydraulic

LH: left hand

LP: Liquid Propane

NI: nylon insert

NPTF: national pipe thread fine

PFH: phillips flat head

PPH: phillips pan head

PPHTF: phillips pan head thread forming

PRH: phillips round head

PTH: phillips truss head

PTO: power-take-off

RH: right hand

ROPS: roll-over protection system

RRB: rear roller brush

SFH: slotted fillister head

SHH: slotted hex head

SHWH: slotted hex washer head

SPH: slotted pan head

SQH: square head

SRH: slotted round head

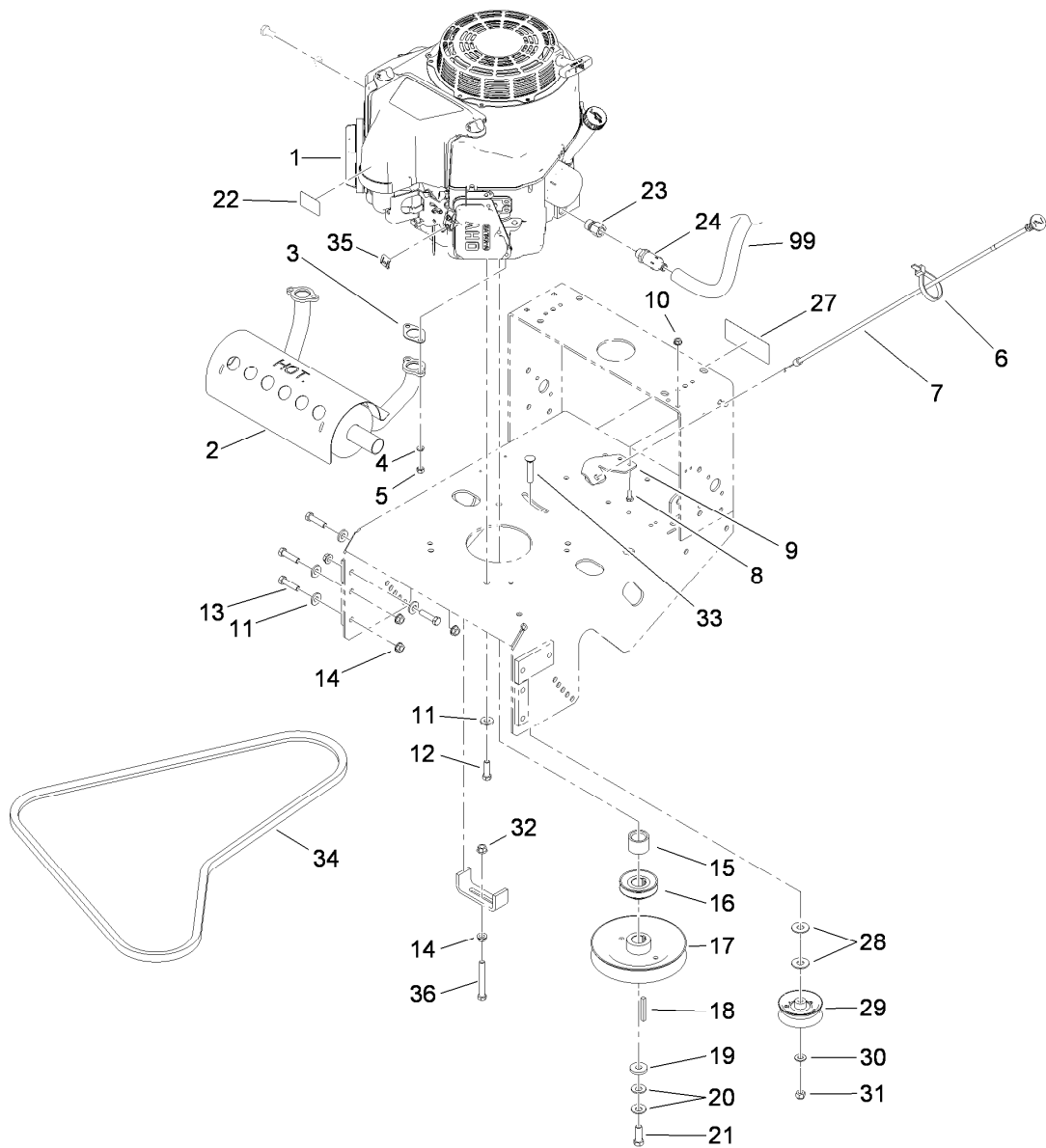
STD: standard

TAP: self tapping

TTH: torx truss head

Contents

Engine and Exhaust Assembly.....	4
Fuel System Assembly	5
Frame and Transmission Assembly	6
Drive Wheel and Brake Assembly	7
Handle and Control Assembly	9
Wire Harness Assembly	10
Deck Assembly	11
Deck Decal Assembly No. 110-4909.....	12
Deflector Assembly No. 110-0758.....	13
Sheave, Spindle and Blade Assembly	14
Idler Assembly	15
Caster Assembly	16
Attachments and Accessories	17

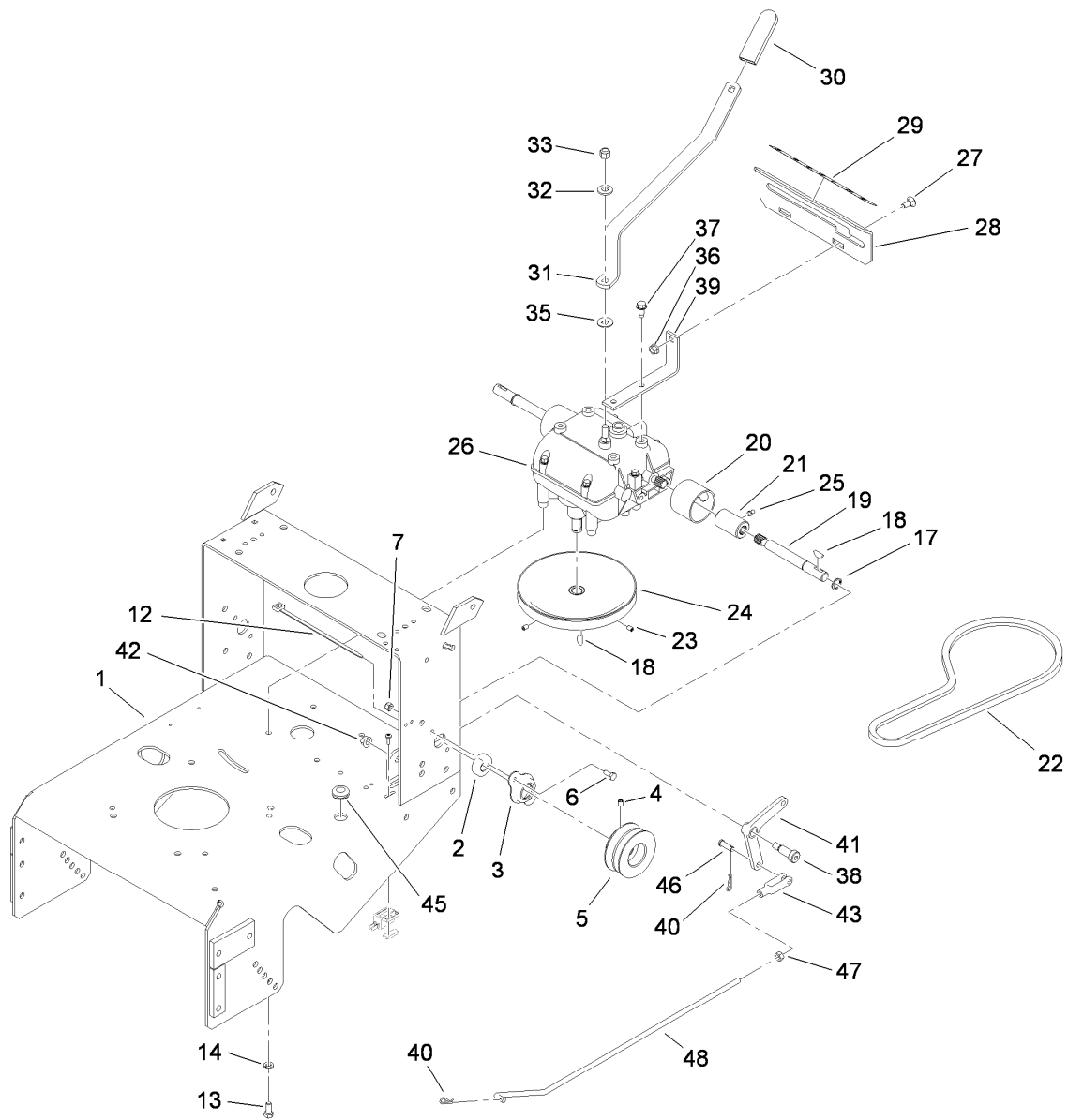


Engine and Exhaust Assembly

Ref.	Part Number	Qty.	Description	Ref.	Part Number	Qty.	Description
1		1	Engine-Kawasaki, Fs481V-As06 ●■	18	103-4177	1	Key
2	116-4396	1	Muffler-Horizontal, Offset	19	1-373034	1	Washer
3	1-653313	2	Gasket-Exhaust	20	1-603610	2	Washer-Spring
4	114-3550	4	Washer-Lock, Spring	21	116-3702	1	Screw-HH
5	114-3549	4	Nut	22	103-2076	1	Decal-Caution
6	1-303287	1	Tie-Cable	23	103-1966	1	Adapter
7	103-1796	1	Cable-Choke	24	92-6877	1	Valve-Drain, Oil
8	321-3	2	Screw-HH	27	98-0776	1	Decal-Caution
9	103-1797-01	1	Bracket-Cable, Choke	28	3256-5	2	Washer-Flat
10	32128-33	2	Nut-HF	29	1-323285	1	Pulley-Idler, Flat
11	98-5975	12	Washer-Belleville	30	3256-24	1	Washer-Flat
12	323-7	4	Screw-HH	31	3296-39	1	Nut-Lock, NI
13	323-8	8	Screw-HH	32	32128-21	1	Nut-HF
14	3290-357	9	Nut-HHF, Whiz	33	3231-6	1	Screw-CARR
15	1-633453	1	Spacer-Clutch	34	110-0543	1	Belt-V
16	103-1666	1	Sheave-Transmission	35	81-1690	1	Clamp-Cable
17	110-4890	1	Pulley ASM	36	323-14	1	Screw-HH
				99	103-1964	1	Hose-Drain, Oil

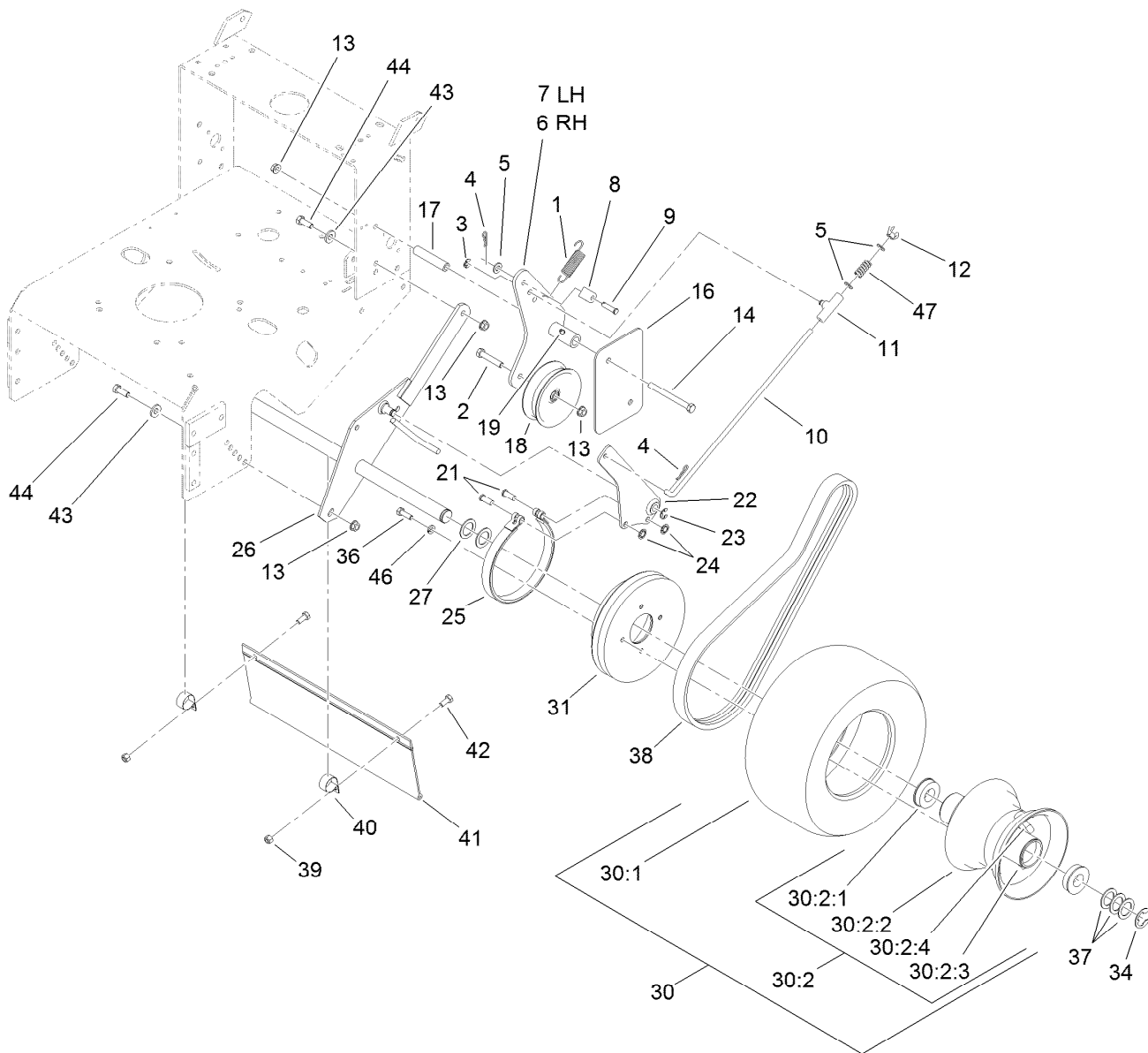
● Not serviced separately

■ Obtain parts from www.kawpowerepc.com



Frame and Transmission Assembly

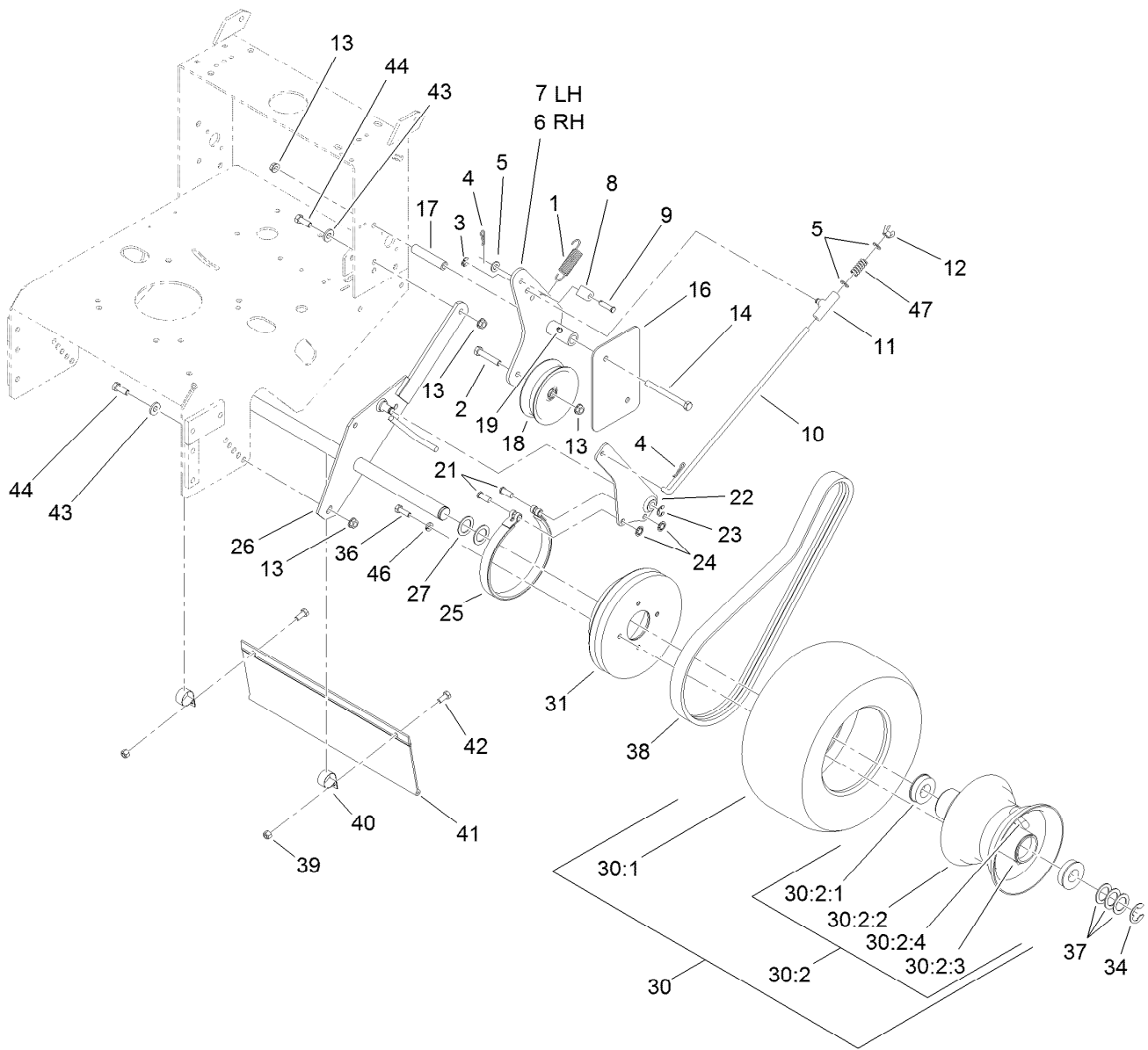
Ref.	Part Number	Qty.	Description	Ref.	Part Number	Qty.	Description
1	117-3521-01	1	Gear Frame ASM	27	3230-1	2	Bolt-CARR
2	1-323252	2	Bearing-Shaft	28	1-323387-03	1	Plate-Shift
3	1-323254	2	Flange-Output	29	98-3256	1	Decal-Speed, Ground
4	1-803310	2	Screw-Set	30	1-303020	1	Grip-Lever
5	103-6511	2	Sheave-Transmission	31	98-3274-03	1	Lever-Shift
6	321-3	4	Screw-HH	32	98-5975	1	Washer-Belleville
7	3296-42	4	Nut-Lock, NI	33	3296-6	1	Nut-Lock
12	1-303287	1	Tie-Cable	35	1-323379	1	Washer
13	322-3	4	Screw-HH	36	32128-20	2	Nut-HF
14	1-805005	4	Washer-Lock	37	9264964	4	Screw-HWH, Thread Cut
17	32151-62	2	Ring-Retaining	38	1-603403	1	Bolt-Shoulder
18	3257-5	3	Key-Woodruff	39	1-323389-03	2	Bracket-Plate, Shift
19	1-323502	2	Shaft-Transmission	40	1-806003	2	Pin-Cotter, Hair
20	51-4220	2	Guard-Coupler	41	1-303186	1	Bellcrank
21	1-323680	2	Coupler	42	32128-21	1	Nut-HF
22	1-323630	1	V-Belt	43	1-303105	1	Yoke-Adjustable
23	3245-41	2	Screw-HSH	45	1-543296	1	Grommet
24	1-323278	1	Sheave-Transmission	46	1-808280	1	Pin-Clevis
25	302-19	2	Fitting-Grease	47	3219-2	1	Nut-Hex
26	1-323500	1	Transmission	48	1-323303	1	Linkage-Arm



Drive Wheel and Brake Assembly

Ref.	Part Number	Qty.	Description	Ref.	Part Number	Qty.	Description
1	98-3273	2	Spring-Extension	22	1-322209-03	2	Brake Arm ASM
2	323-10	2	Screw-HH	23	32120-47	2	Ring-Retaining, External
3	32151-47	2	Ring-Retaining	24	1-803051	4	Nut-Push
4	1-806003	4	Pin-Cotter, Hair	25	1-323595	2	Band-Brake
5	3256-23	4	Washer-Flat	26	1-322212-03	1	Axle ASM
6	110-4925-03	1	RH Idler Arm ASM	27	1-543436	2	Washer-Spacer
7	110-4926-03	1	LH Idler Arm ASM	30	1-323719	2	Wheel And Tire ASM
8	74-0521	2	Fitting-Rod	30:1	1-323720	1	Tire-Turfmaster
9	283-6	2	Pin-Clevis	30:2	1-323328	1	Wheel And Hub ASM
10	1-323296	2	Rod-Brake	30:2:1	1-323329	2	Bearing-Flanged
11	110-5866	2	Swivel-Brake	30:2:2		1	Rim ASM ●
12	1-513959	2	Wingnut-Nylock	30:2:3		1	Fitting-Grease ●
13	3290-357	10	Nut-HHF, Whiz	30:2:4		1	Stem-Valve ●
14	323-16	4	Screw-HH	31	109-4359	2	Drum And Sheave ASM
16	98-5131-01	2	Shield-Wheel, Drive	34	1-808519	2	Ring-Snap
17	1-323694	4	Spacer-Shield	36	322-5	8	Screw-HH
18	1-323634	2	Idler-Drive, Wheel	37	1-523157	6	Washer-Spacer
19	302-19	2	Fitting-Grease	38	1-323631	2	V-Belt
21	1-323307	4	Pin-Clevis	39	3296-29	2	Nut-Lock, NI

● Not serviced separately

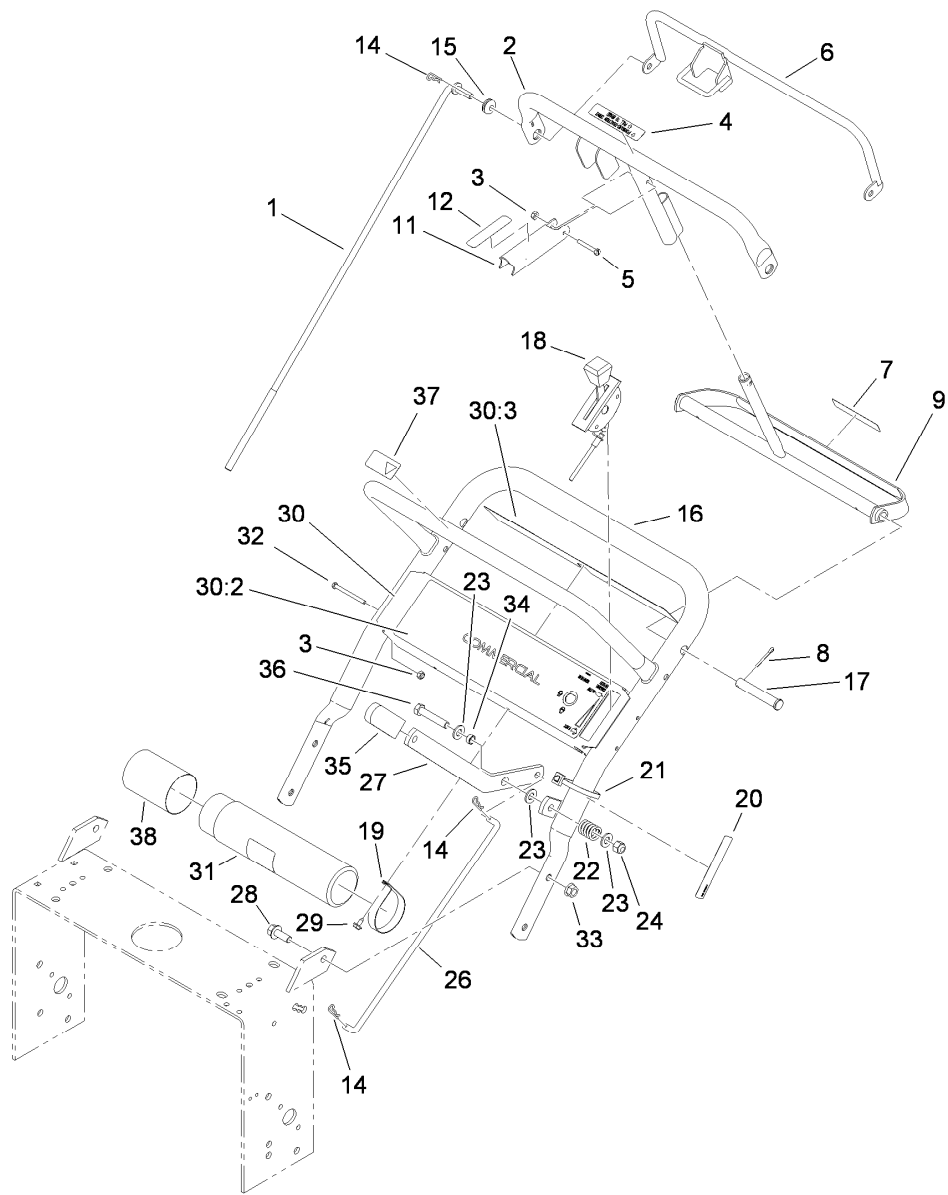


Drive Wheel and Brake Assembly (continued)

Ref.	Part Number	Qty.	Description
40	2412-104	2	Clamp-R
41	98-3259	1	Shield-Trailing
42	322-3	2	Screw-HH
43	98-5975	4	Washer-Belleville

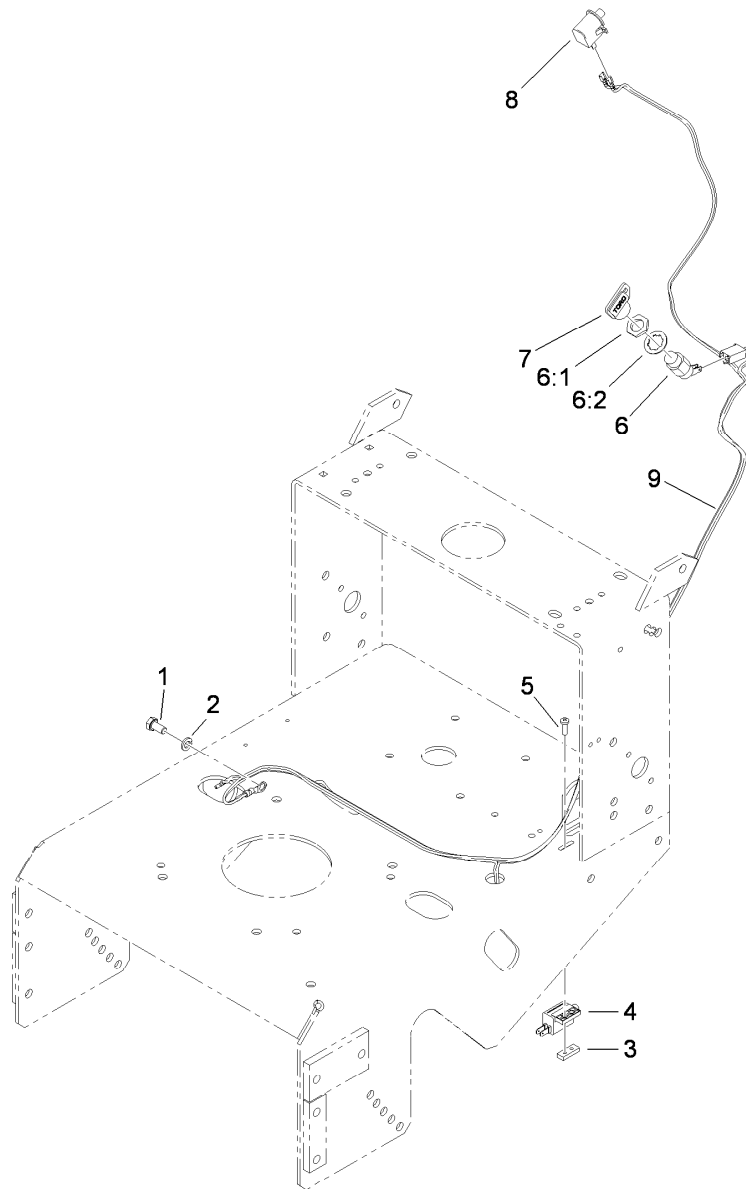
Ref.	Part Number	Qty.	Description
44	323-6	4	Screw-HH
46	1-805005	8	Washer-Lock
47	1-323245	2	Spring-Compression

● Not serviced separately



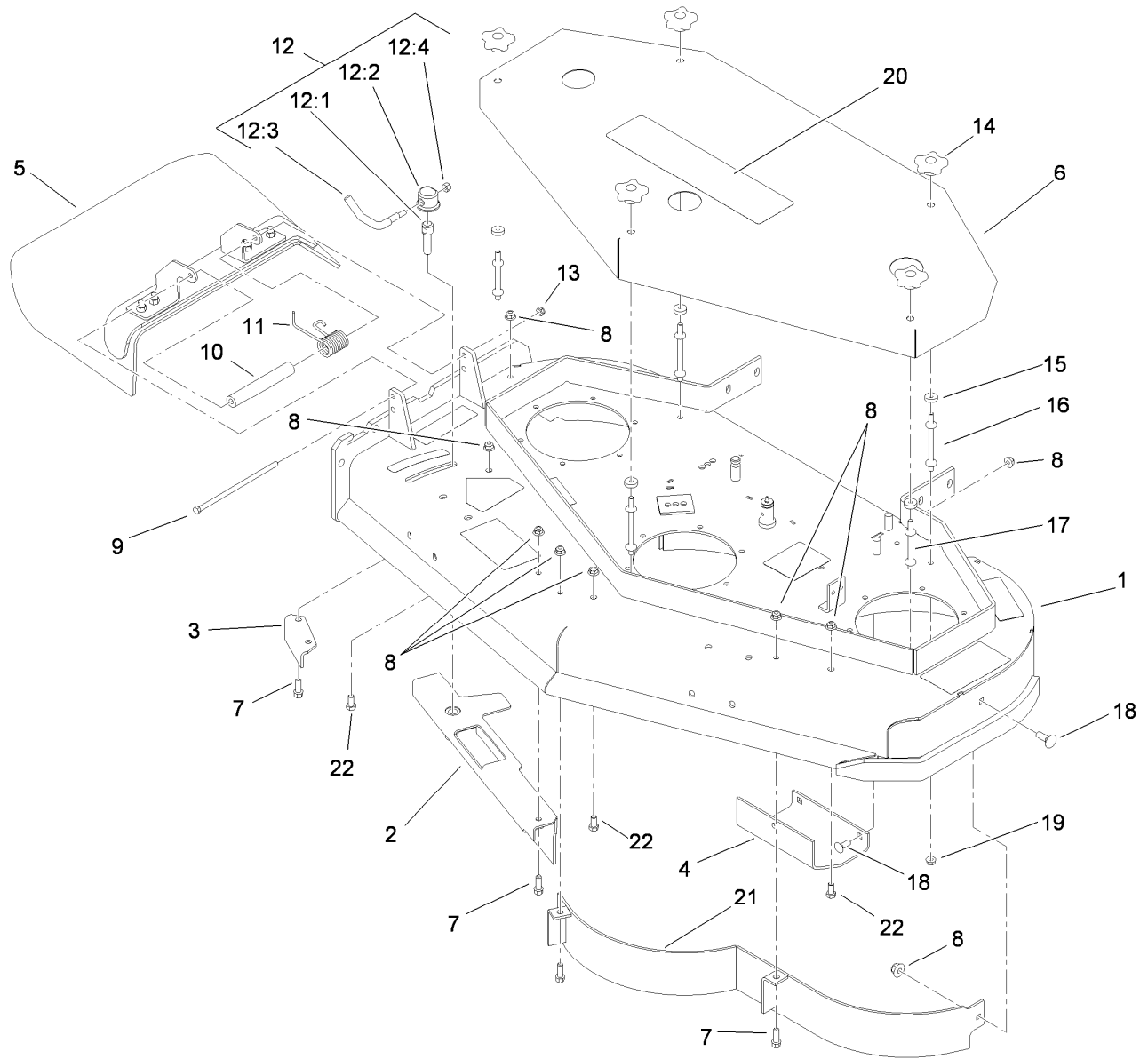
Handle and Control Assembly

Ref.	Part Number	Qty.	Description	Ref.	Part Number	Qty.	Description
1	98-3282	2	Rod-Control	22	1-303160	1	Spring-Compression
2	95-5522-03	1	Control Bar ASM	23	3256-24	3	Washer-Flat
3	3296-2	5	Nut-Lock, NI	24	3296-39	1	Nut-Lock, NI
4	82-2290	1	Decal	26	98-3279	1	Linkage-Drive, Blade
5	32105-1	1	Screw-SHH	27	98-3287-03	1	Lever-Engagement, Blade
6	82-7680-03	1	Bail ASM	28	3234-11	4	Screw-HHF
7	82-2280	1	Decal	29	32104-76	2	Screw
8	3272-11	2	Pin-Cotter	30	110-6905	1	Control Panel ASM
9	99-8501-03	1	Control-Pivot	30:2	110-6916	1	Decal-Panel, Control
11	98-3261-03	1	Lever-Brake, Parking	30:3	105-0884	1	Decal-Danger
12	98-3266	1	Decal	31	104-7050	1	Tube-Manual
14	1-806003	3	Pin-Cotter, Hair	32	32105-14	4	Screw-SHH
15	237-141	2	Grommet-Rubber	33	32128-21	4	Nut-HF
16	98-3267-03	1	Upper Handle ASM	34	99-8509	1	Spacer
17	283-55	2	Pin-Clevis	35	1-303020	1	Grip-Lever
18	119-6539	1	Cable-Throttle	36	323-10	1	Screw-HH
19	2412-120	2	R-Clamp	37	98-4387	1	Decal-Protection, Ear
20	95-5537	1	Decal-Engage, Deck	38	104-7048	1	Cap-Housing
21	1-303335	2	Tie-Plastic				



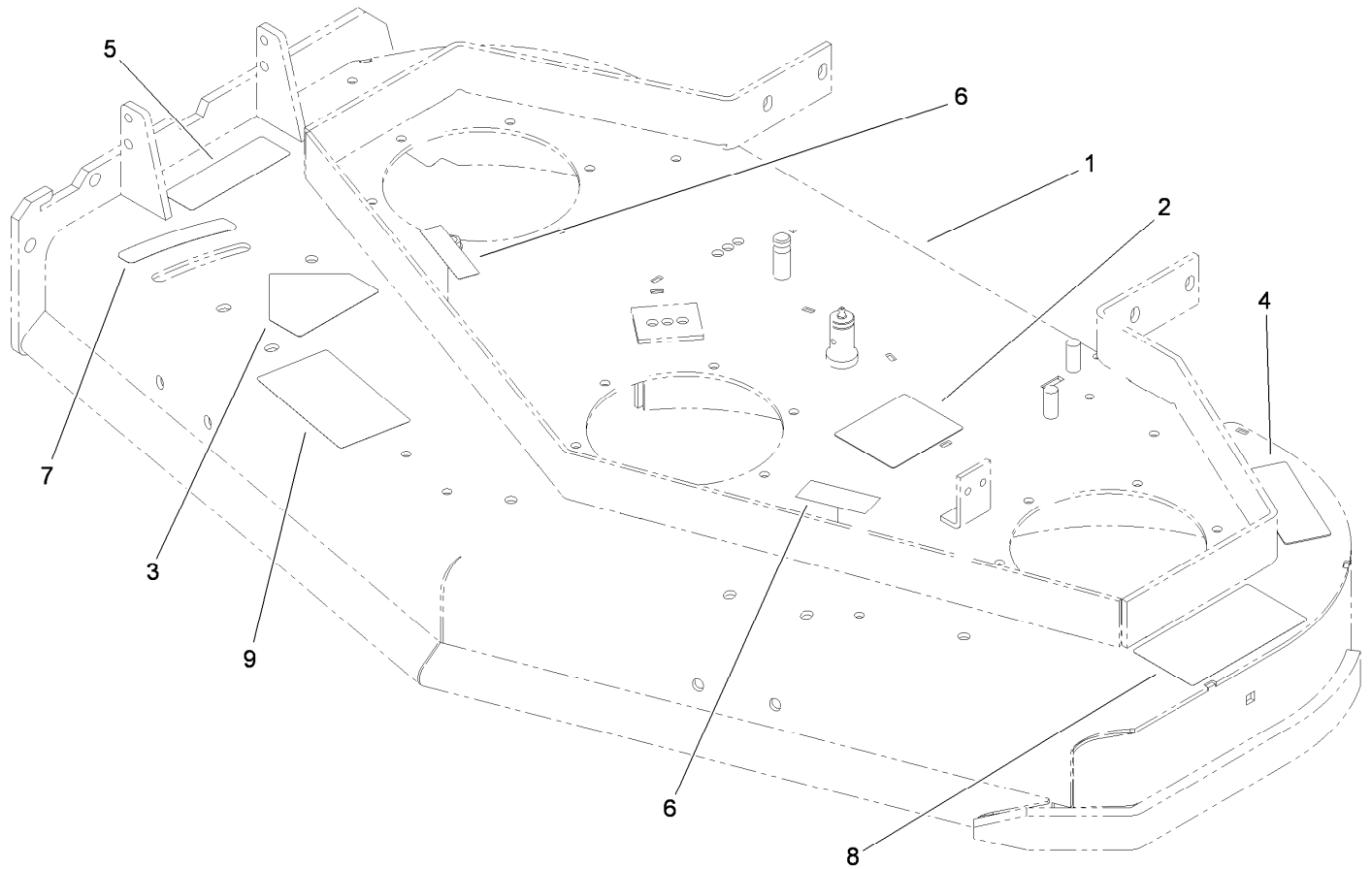
Wire Harness Assembly

<i>Ref.</i>	<i>Part Number</i>	<i>Qty.</i>	<i>Description</i>
1	33114-016	1	Screw-HH
2	3253-4	1	Washer-Lock
3	1-633181	1	Plate-Tapped
4	1-513152	1	Switch-Closed, Normally
5	3290-500	2	Screw-PPH
6	29-5560	1	Switch-On / Off
6:1	218-461	1	Nut-HH
6:2	3254-5	1	Washer-Tooth, Internal
7	63-8360	1	Key-Ignition
8	740275	1	Switch-Seat
9	119-6535	1	Harness-Wire



Deck Assembly

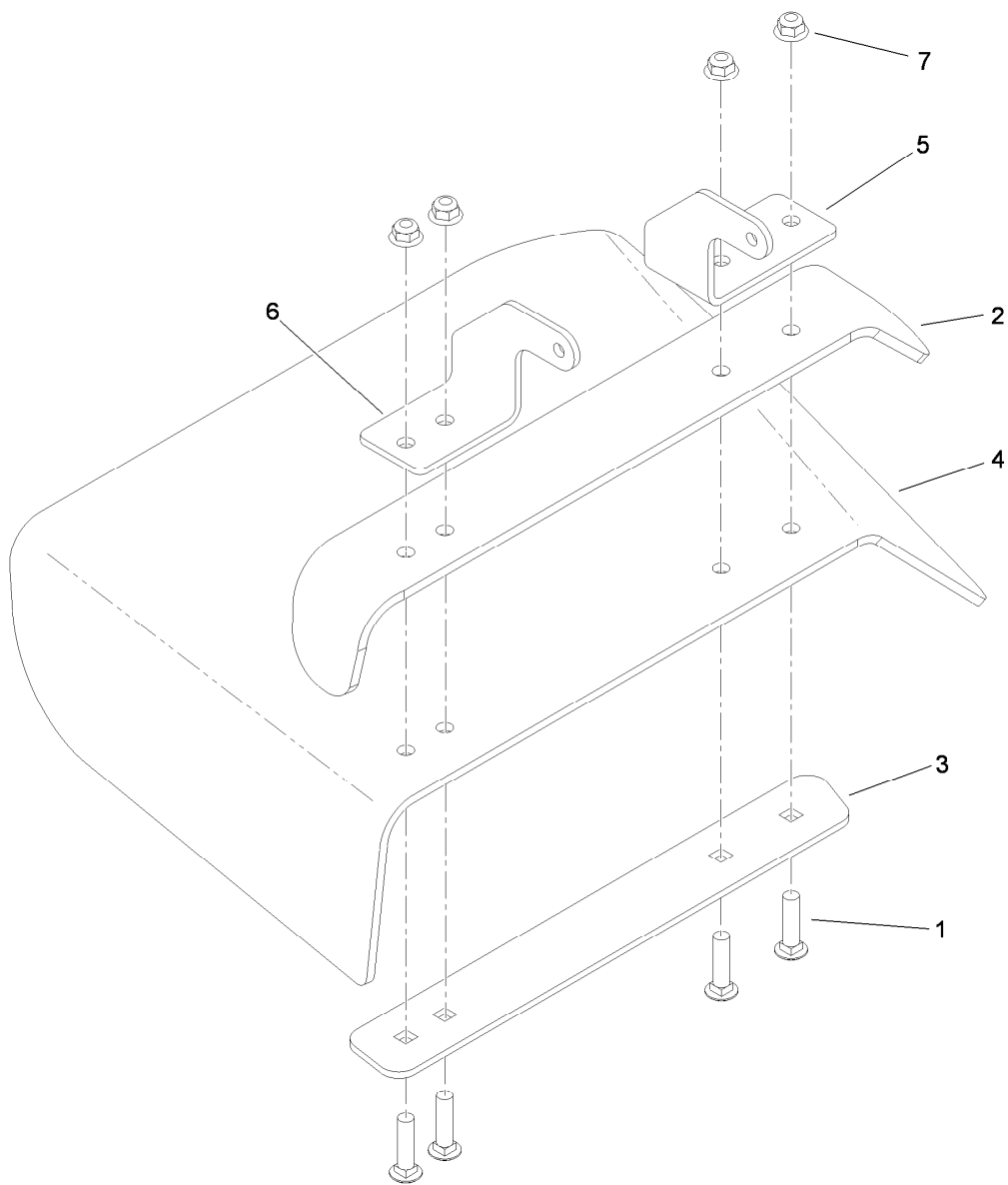
<i>Ref.</i>	<i>Part Number</i>	<i>Qty.</i>	<i>Description</i>	<i>Ref.</i>	<i>Part Number</i>	<i>Qty.</i>	<i>Description</i>
1	110-4909	1	Deck ASM	12:2	107-1644	1	Cap-Lock
2	110-0533-03	1	Baffle-Adjustable	12:3	106-3241	1	Lever-Lock
3	110-0744-01	1	Baffle-Discharge	12:4	3296-29	1	Nut-Lock, NI
4	107-3166-01	1	Skid	13	3296-47	1	Nut-Lock, NI
5	110-0758	1	Deflector ASM	14	106-4161	5	Knob-Handle
6	110-2119-01	1	Cover	15	1-323417	5	Washer
7	92-1624	5	Screw-HWH	16	1-303536	3	Stud-Shield, Belt (Long)
8	104-8301	12	Nut-Flange, NI	17	1-303537	2	Stud-Shield, Belt (Short)
9	322-50	1	Screw-HH	18	3231-2	4	Screw-CARR
10	105-4622	1	Spacer	19	32128-20	5	Nut-HF
11	104-8554	1	Spring-Torsion	20	112-9712	1	Decal
12	107-1664	1	Lever ASM	21	110-0735-03	1	Baffle ASM
12:1	106-3239	1	Screw-Lock	22	323-4	3	Screw-HH



Deck Decal Assembly No. 110-4909

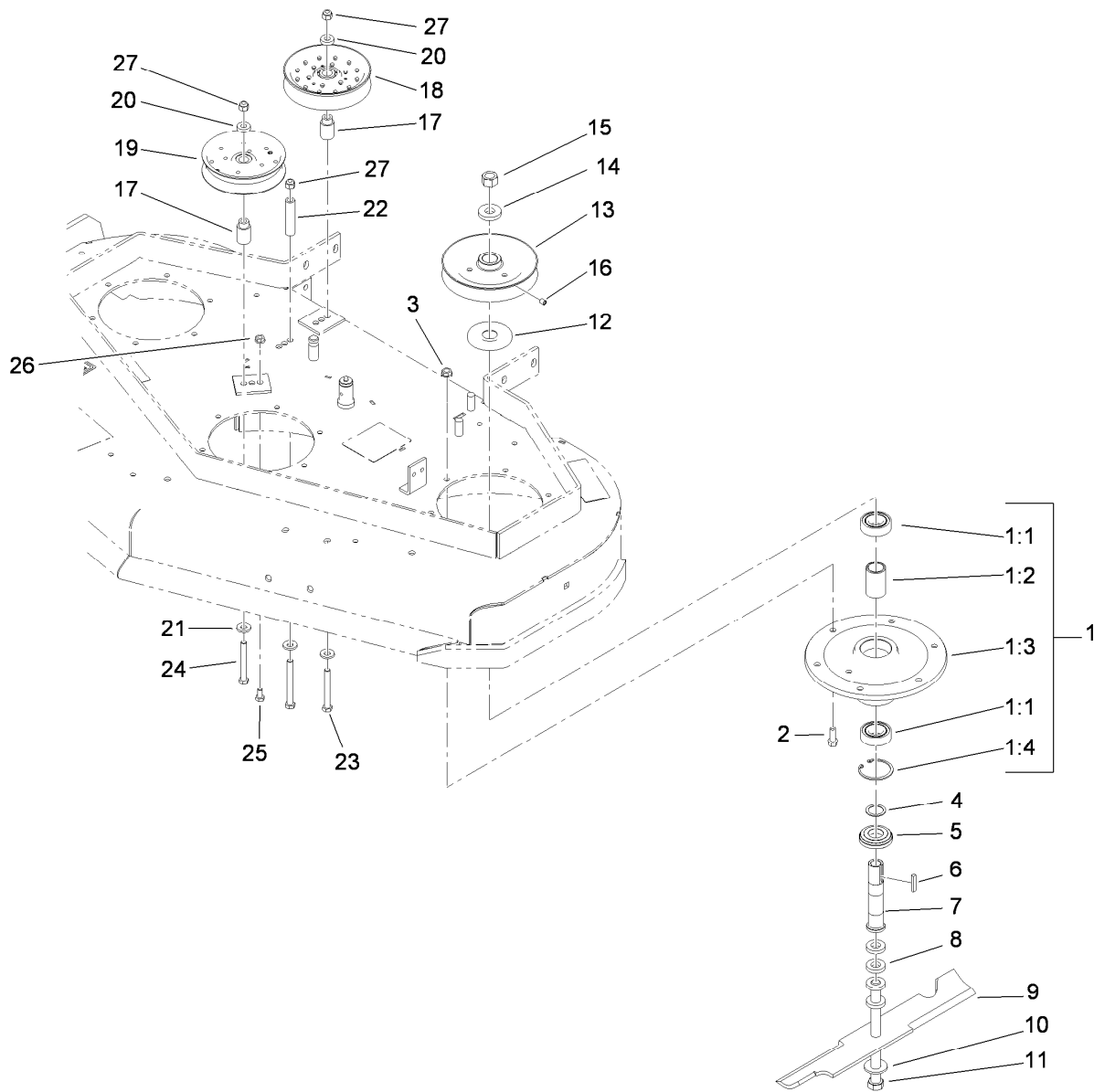
<i>Ref.</i>	<i>Part Number</i>	<i>Qty.</i>	<i>Description</i>
1		1	48 Inch Deck ASM ●
2	99-3943	1	Decal-Routing, Belt
3	43-8480	1	Decal-Danger
4	98-5130	1	Decal-Torque, Bolt
5	104-8569	1	Decal-Warning
6	98-5954	2	Decal-Cover, Missing
7	110-2067	1	Decal-Setting, Baffle
8	66-1340	1	Decal-Danger, Thrown Object
9	110-2068	1	Decal-Adjustment, Baffle

● Not serviced separately



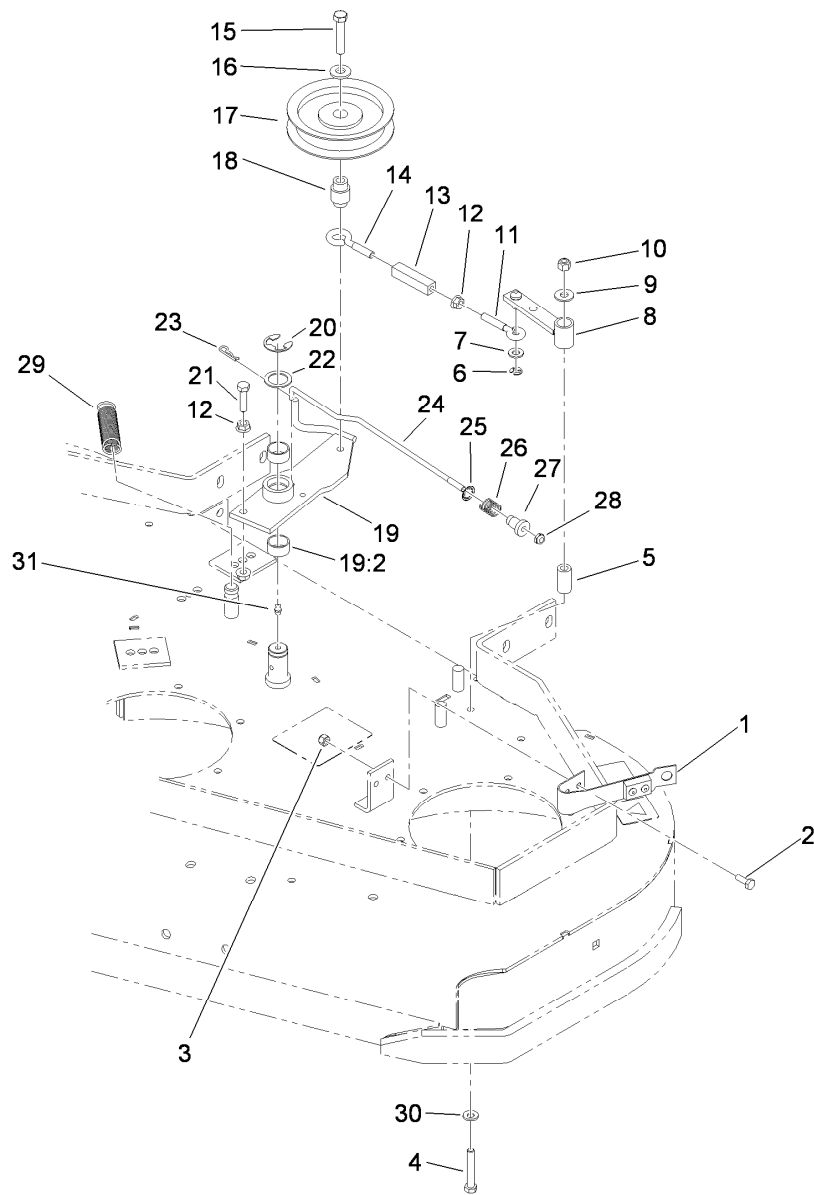
Deflector Assembly No. 110-0758

<i>Ref.</i>	<i>Part Number</i>	<i>Qty.</i>	<i>Description</i>
1	3231-4	4	Screw-CARR
2	106-3246-01	1	Deflector
3	106-3248-03	1	Strap-Discharge
4	110-0759	1	Deflector-Rubber
5	107-4197-01	1	Bracket-Hinge, Rear
6	107-4196-01	1	Bracket-Hinge, Front
7	104-8301	4	Nut-Flange, NI



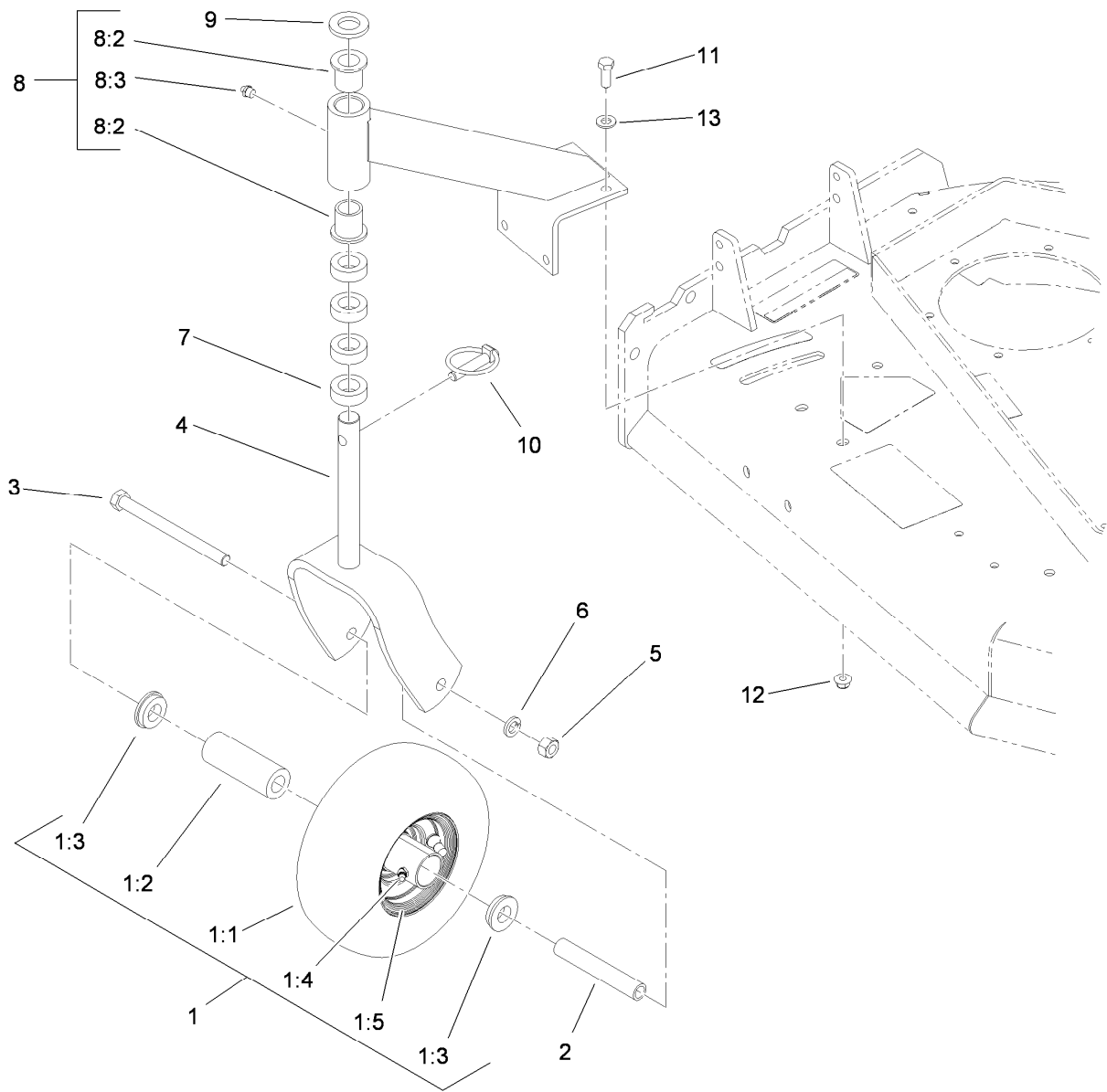
Sheave, Spindle and Blade Assembly

Ref.	Part Number	Qty.	Description	Ref.	Part Number	Qty.	Description
1	108-6697	3	Spindle Housing ASM	13	1-403183	3	Sheave
1:1	110-2118	2	Bearing	14	1-323339	3	Washer-Retainer, Sheave
1:2	110-2116	1	Spacer-Bearing	15	3219-6	3	Nut-Hex
1:3	108-6694	1	Housing-Spindle	16	1-803310	3	Screw-Set
1:4	32120-8	1	Ring-Snap	17	1-413113	2	Bushing-Idler
2	92-1624	18	Screw-HWH	18	1-403186	1	Idler-Pulley, Flat
3	104-8301	18	Nut-Flange, NI	19	1-613098	1	Pulley-Idler
4	110-4888	3	Washer-Spacer	20	5-0652	2	Spacer
5	103-2535	3	Spacer-Guard, Bottom	21	98-5975	3	Washer-Belleville
6	1-807267	3	Key	22	1-403188	1	Spacer
7	1-323529	3	Tube-Spindle, Short	23	323-15	1	Screw-HH
8	1-323539	12	Spacer	24	323-14	2	Screw-HH
9	107-3192-03	3	Blade-16.5 Inch (High Flow)	25	322-2	1	Screw-HH
10	1-513208	3	Washer-Spring	26	32128-20	1	Nut-HF
11	1-800861	3	Screw-Cap, HH	27	3296-39	3	Nut-Lock, NI
12	103-1330	3	Guard-Bearing, Top				



Idler Assembly

<i>Ref.</i>	<i>Part Number</i>	<i>Qty.</i>	<i>Description</i>	<i>Ref.</i>	<i>Part Number</i>	<i>Qty.</i>	<i>Description</i>
1	1-324372	1	Pad And Spring ASM	17	1-603843	1	Pulley-Idler
2	321-4	2	Screw-HH	18	1-303434	1	Bushing-Engagement
3	3296-42	2	Nut-Lock, NI	19	103-3600	1	Idler Arm ASM
4	322-10	1	Screw-HH	19:2	1-323729	2	Sleeve-Bearing
5	1-403179	1	Tube-Pivot	20	32151-103	1	Ring-Retaining, EXT
6	32120-35	1	Ring-Retaining, EXT	21	322-6	1	Screw-HH
7	3256-23	1	Washer-Flat	22	1-303352	1	Washer-Spindle
8	1-322235	1	Arm-Assist	23	1-806003	1	Pin-Cotter, Hair
9	3256-3	1	Washer-Flat	24	110-4932	1	Rod-Brake
10	3296-29	1	Nut-Lock, NI	25	1-323748	1	Ring-Push On
11	1-303238	1	Eyebolt-Thread, RH	26	1-323747	1	Spring-Compression
12	32128-20	3	Nut-HF	27	1-323746	1	Spacer-Flanged
13	1-303236	1	Body-Turnbuckle	28	3296-56	1	Nut-Lock, NI
14	1-303348	1	Eyebolt-Thread, LH	29	1-323071	1	Spring-Extension
15	702809	1	Screw-HH	30	1-303334	1	Washer-Spring
16	98-5975	1	Washer-Belleville	31	302-19	1	Fitting-Grease



Caster Assembly

Ref.	Part Number	Qty.	Description
1	110-5023	2	Wheel And Tire ASM
1:1		1	Tire ●
1:2	1-513809	1	Bearing
1:3	1-513810	2	Bushing
1:4	302-61	1	Fitting-Grease
1:5		1	Wheel ●
2	1-513547	2	Spacer
3	325-20	2	Screw-HH
4	1-322145-01	2	Fork
5	3217-9	2	Nut-HH

Ref.	Part Number	Qty.	Description
6	3253-7	2	Washer-Lock
7	1-303314	8	Spacer-Caster
8	110-2130	2	Support ASM
8:2	1-303514	2	Bearing-Flanged
8:3	302-52	1	Fitting-Grease
9	1-513338	2	Washer-Flat
10	1-809020	2	Pin
11	323-6	8	Screw-HH
12	104-8301	8	Nut-Flange, NI
13	3256-24	8	Washer-Flat

● Not serviced separately

Attachments and Accessories

For 30678 Commercial Walk-Behind Mower Fixed Deck, T-Bar, Gear Drive with 48in TURBO FORCE Cutting Unit

Product Name	Model/Part
Blade-Low Flow, 16.5 inch	107-3193-03
Blade-Mid Flow, 16.5 inch.....	107-3194-03
Blade-Atomic, 16.5 inch.....	107-3195-03
Blade-Recycling, 16.5 inch	107-3196-03
Bagging Enhancement Kit	108-4091
Blade-Hi Flow, 16.5 inch (6 Pack)	110-0414
Blade-Lo Flow, 16.5 inch (6 Pack)	110-0415
Blade-Recycler, 16.5 inch (6 Pack).....	110-0416
Blade-Atomic, 16.5 inch (6 Pack).....	110-0417
Blade-Mid Flow, 16.5 inch (6 Pack).....	110-0418
48 inch Recycler Kit	110-2060
Weight Kit	110-2085
Operator Controlled Discharge Chute Kit.....	115-4195
Soft Bag (3 Bushel).....	30104
Sulky.....	30109

Notes:

Notes:



Count on it.