



Count on it.

Parts Catalog

**Road-Ready Pro Force Debris
Blower**

Model No. 44539—Serial No. 312000001 and Up



Ordering Replacement Parts

To order replacement parts, please supply the part number, the quantity, and the description of each part desired.

Understanding Reference Numbers

Each identified part in an illustration has a reference number. The reference number for a part also appears in the parts list, along with other information about the part.

This catalog uses two special reference number formats, one to indicate parts in a service assembly and another to indicate the quantity of a given part in an illustration.

Service Assembly Reference Numbers

Parts in service assemblies have reference numbers in the form a:b. The a represents the reference number of the entire service assembly and the b represents a sequential number unique to each part within the service assembly.

For example, a wheel assembly might be identified by reference number 6, the tire by 6:1, the valve by 6:2, and the wheel by 6:3. When you order the assembly identified by reference number 6, you receive all parts identified by reference numbers 6:1, 6:2, and 6:3. However, you may also order any part individually. Reference numbers of this type appear in illustration and in parts lists.

Reference Numbers Indicating Quantity

In an illustration, if a reference number indicates more than one part, the reference number has the form nX y. The n represents the quantity of the part, the X is the multiplication symbol, and the y represents the reference number.

For example, in an illustration, the reference number 2X 37 means that two of the parts identified by reference number 37 are indicated.

List of Abbreviations

AR: as required

ASM: assembly

BBC: blade brake control

BHTF: button head thread forming

CARR: carriage

CCW: counter clockwise

CW: clockwise

DEG: degrees

DPA: Dual Point Adjustment

ECM: electronic control module

EXT: external

FH: flat head

GA: gauge

HD: heavy-duty

HF: hex flange

HH: hex head

HHF: hex head flange

HHFTF: hex head flange thread forming

HJ: hex jam

HLH: hex lag head

HOC: height-of-cut

HSBH: hex socket button head

HSFH: hex socket flat head

HSH: hex socket head

HWH: hex washer head

HWHTF: hex washer head thread forming

HYD: hydraulic

LH: left hand

LP: Liquefied Petroleum Gas

LPG: Liquefied Petroleum Gas

NI: nylon insert

NPTF: national pipe thread fine

PFH: phillips flat head

PPH: phillips pan head

PPHTF: phillips pan head thread forming

PRH: phillips round head

PTH: phillips truss head

PTO: power-take-off

RH: right hand

ROPS: roll-over protection system

RRB: rear roller brush

SFH: slotted fillister head

SHH: slotted hex head

SHWH: slotted hex washer head

SPH: slotted pan head

SQH: square head

SRH: slotted round head

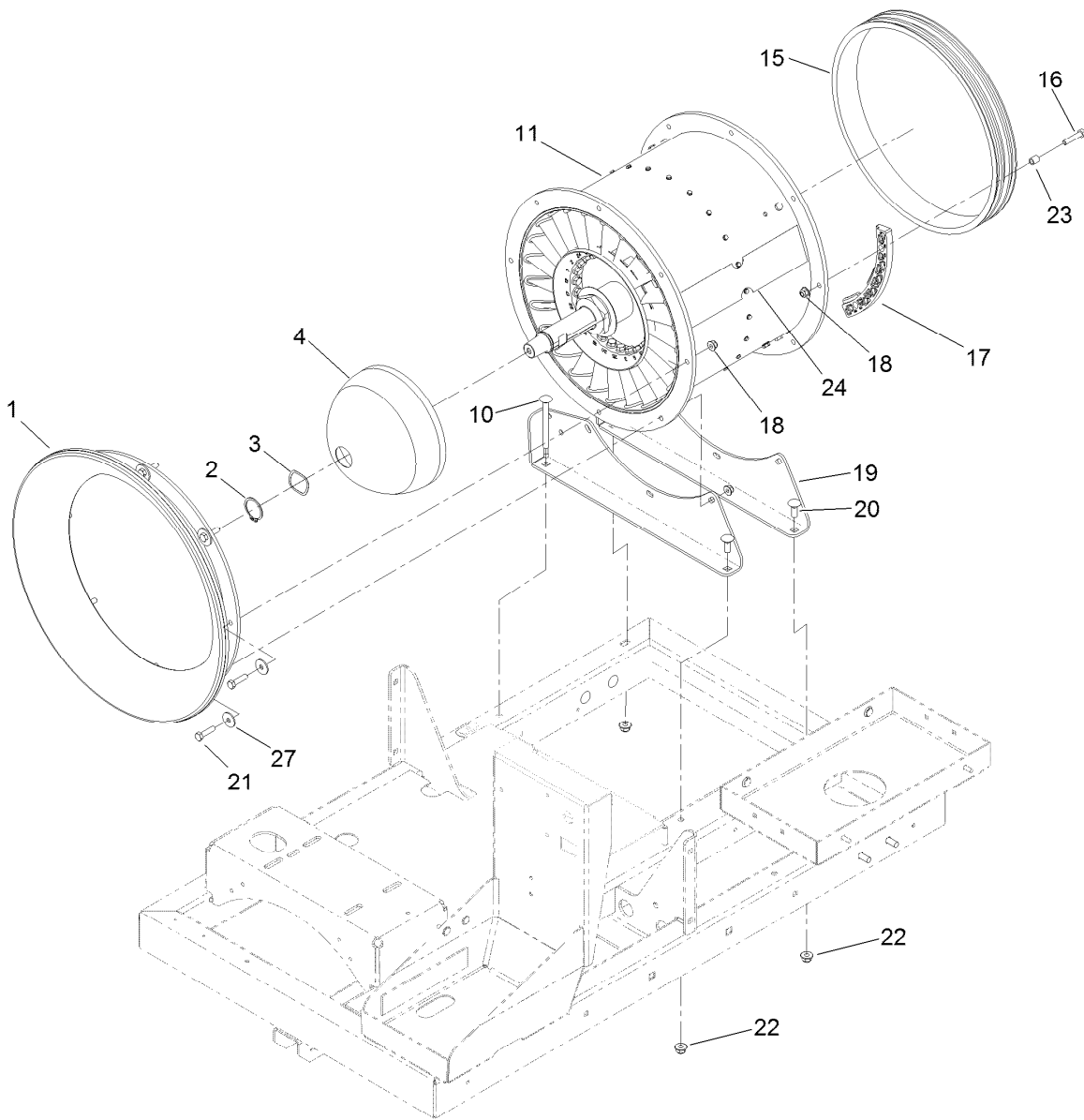
STD: standard

TAP: self tapping

TTH: torx truss head

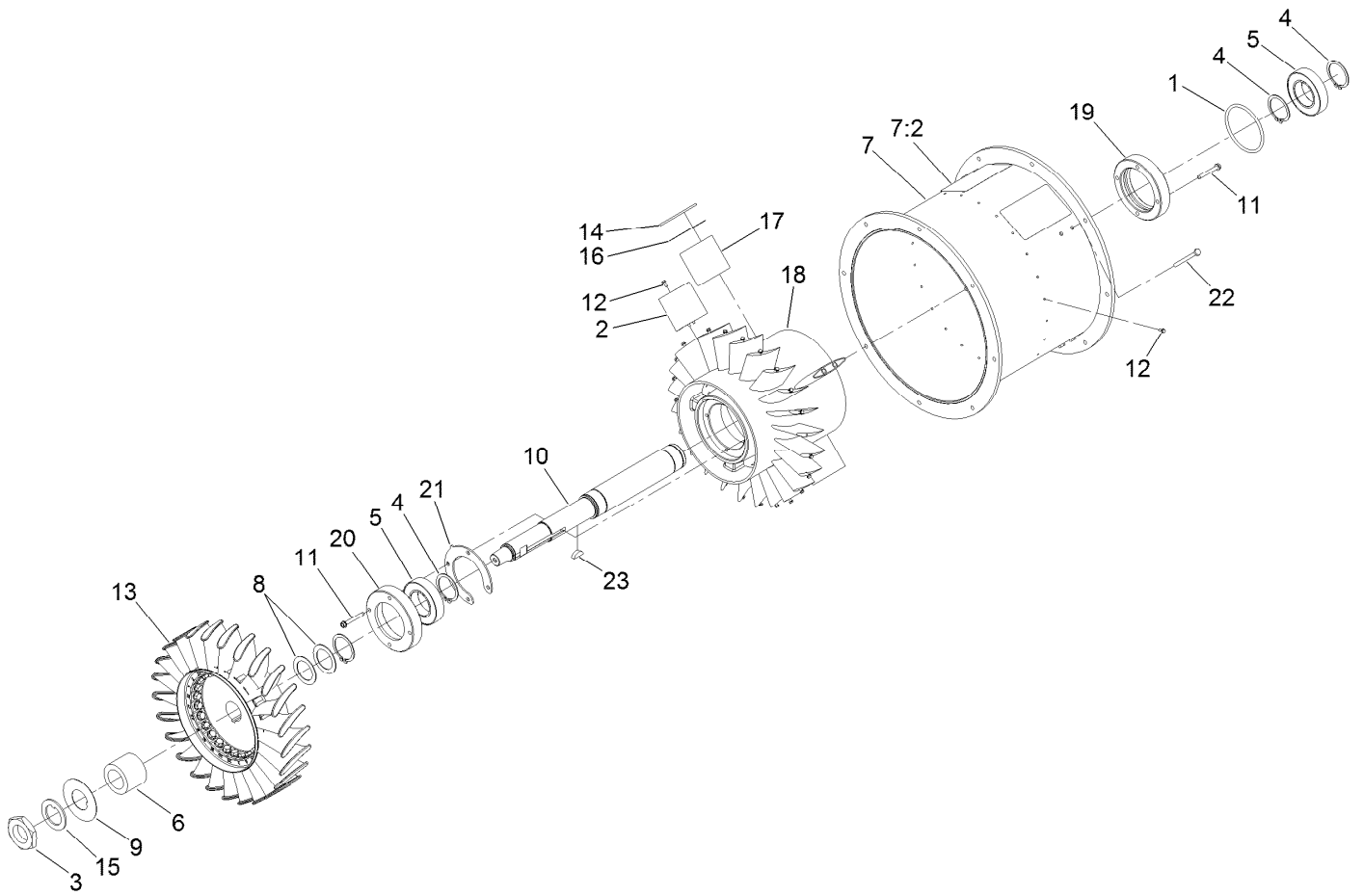
Contents

Turbine Mounting Assembly	4
Turbine Assembly No. 125-4260	5
Hitch, Trailer, Fuel Tank, Hub and Wheel Assembly	6
Axle Assembly No. 119-2966	7
Fuel Tank Assembly No. 115-9048	8
Hitch Assembly No. 119-3005	9
Nozzle, Belt and Guard Assembly	10
Battery and Drive Shaft Assembly	11
Engine and Muffler Assembly	12
Fuel Line Assembly	13
Electrical Assembly	14
Handheld Transmitter Assembly No. 121-2751	15
Tail Light and Reflector Assembly	16



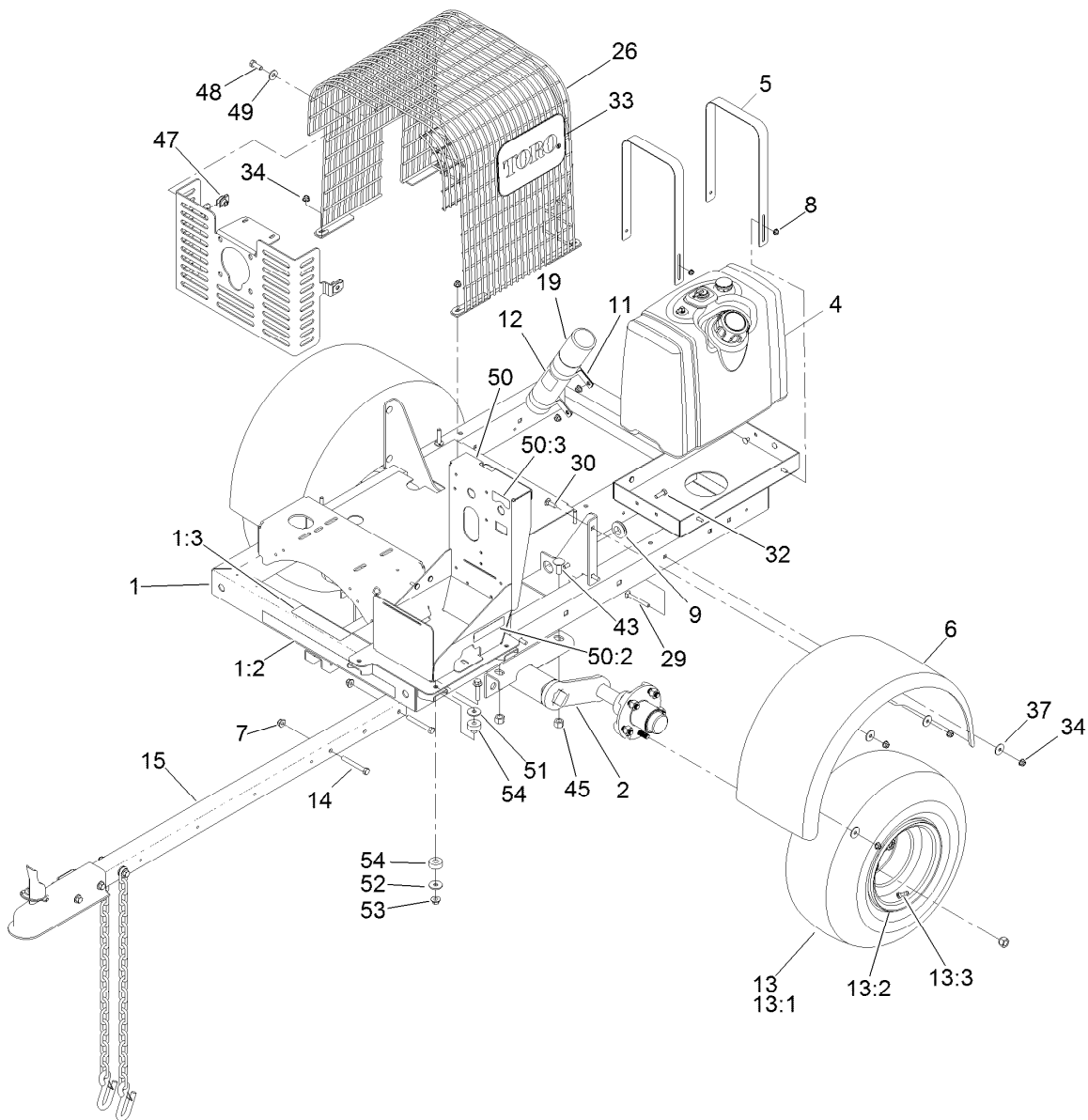
Turbine Mounting Assembly

<i>Ref.</i>	<i>Part Number</i>	<i>Qty.</i>	<i>Description</i>	<i>Ref.</i>	<i>Part Number</i>	<i>Qty.</i>	<i>Description</i>
1	117-8329	1	Bell-Inlet	18	104-8300	16	Nut-Flange, NI
2	112-1952	1	Clip-EXT, Dome	19	112-6851-01	2	Mount-Fan
3	93-4632	1	Washer-Wavey	20	3231-2	2	Bolt-CARR
4	117-8328	1	Cap-Front	21	322-6	8	Screw-HH
10	3231-24	2	Screw-CARR	22	104-8301	4	Nut-Flange, NI
11	125-4260	1	Turbine ASM	23	93-6859	8	Spacer
15	112-1874	1	Pulley-Nozzle	24	115-5102	2	Decal
16	322-7	6	Screw-HH	27	5-4460	8	Washer-Pivot
17	114-9868	4	Guide-Nozzle				



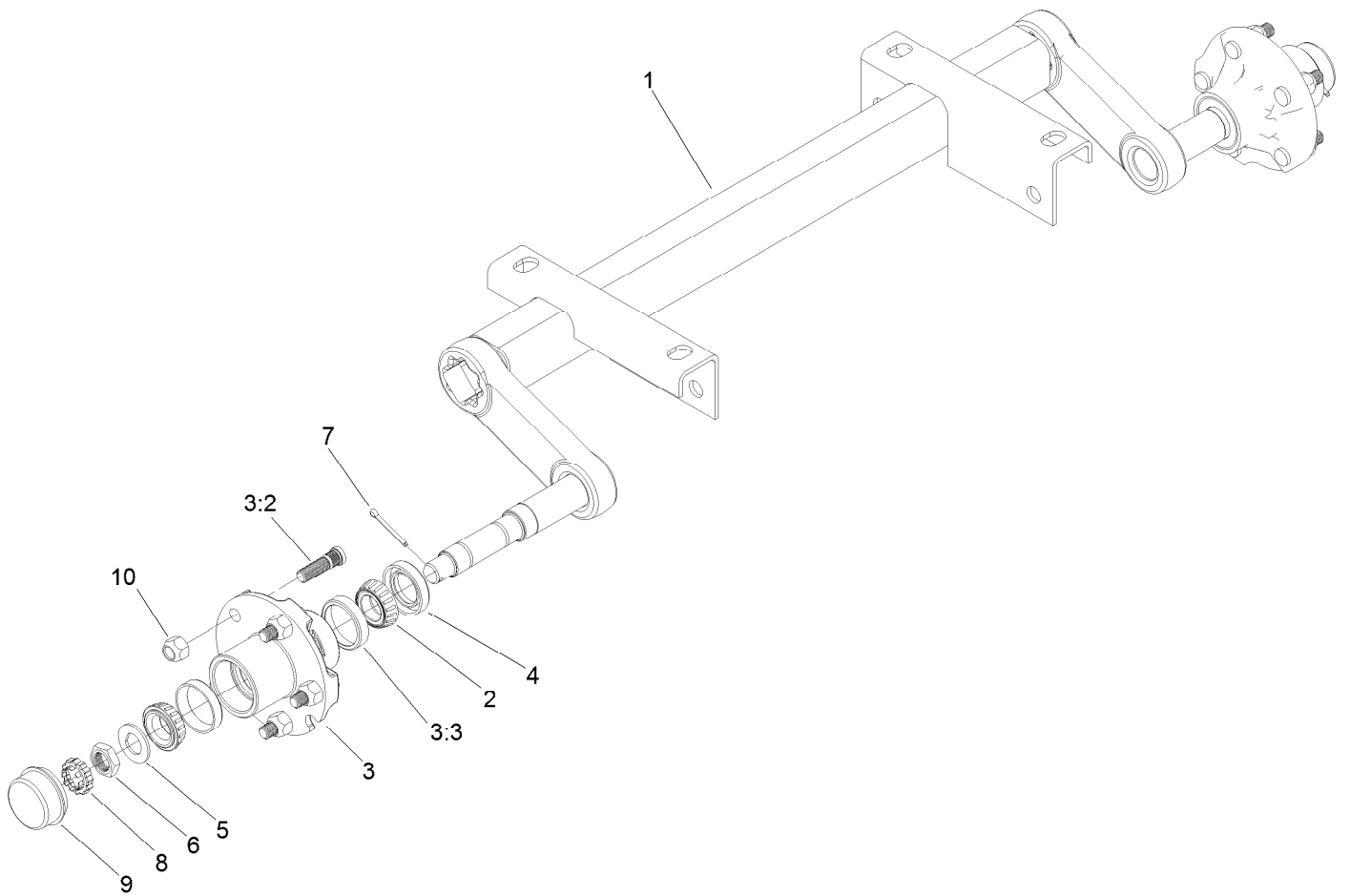
Turbine Assembly No. 125-4260

<i>Ref.</i>	<i>Part Number</i>	<i>Qty.</i>	<i>Description</i>	<i>Ref.</i>	<i>Part Number</i>	<i>Qty.</i>	<i>Description</i>
1	92-9533	1	O-Ring	12	117-8303	24	Screw-HHF
2	112-1871	24	Vane-Stator	13	117-8356	1	Rotor ASM
3	112-1899	1	Nut	14	117-8393	1	Spacer-Fin
4	112-1951	4	Snap-EXT	15	119-6202	1	Washer-Tab
5	112-6764	2	Bearing-Ball	16	119-6207	1	Spacer-Fin
6	114-2164	1	Spacer	17	119-6444	4	Mount-Fin
7	115-5128	1	Housing ASM	18	120-5920	1	Inner Housing
7:2	115-5106	2	Decal-Danger	19	120-6042	1	End-Oring
8	115-5131	2	Washer	20	120-6061	1	Bearing-Cap
9	115-9005	1	Washer-Tab	21	120-6063	1	End-Cap
10	115-9075	1	Shaft-Fan	22	321-19	8	Screw-HH
11	125-4287	8	Screw-HHF	23	3257-42	1	Key-Woodruff



Hitch, Trailer, Fuel Tank, Hub and Wheel Assembly

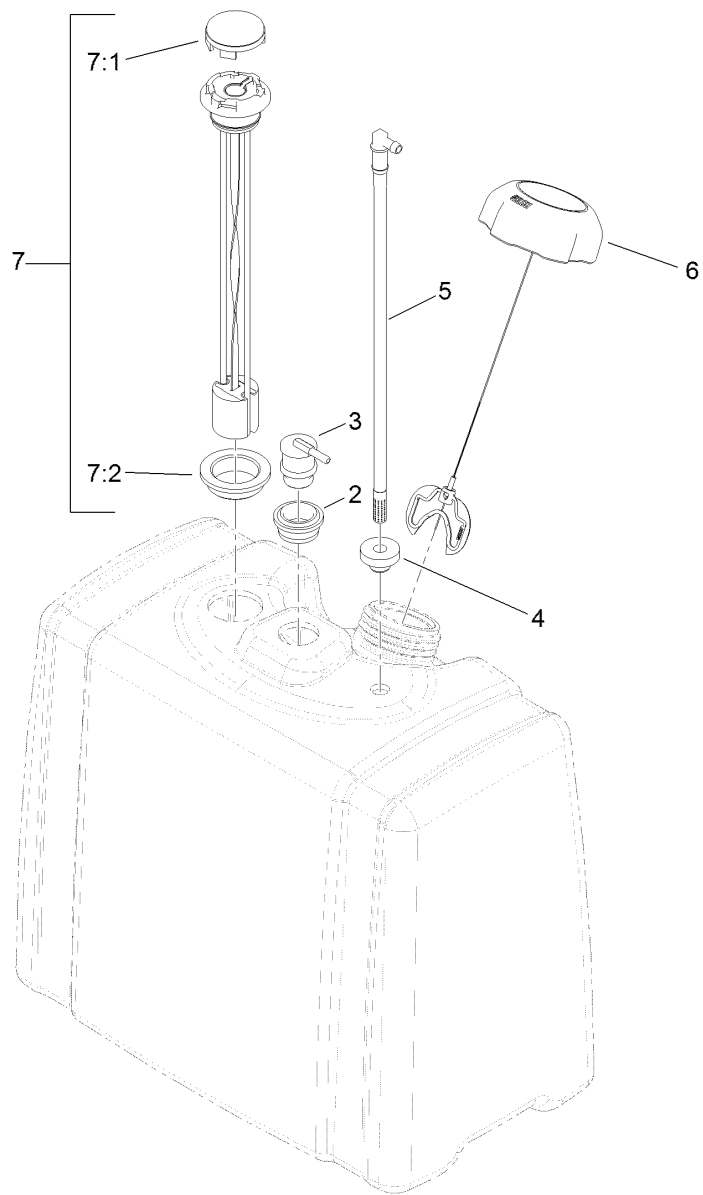
Ref.	Part Number	Qty.	Description	Ref.	Part Number	Qty.	Description
1	125-4261	1	Frame ASM	26	112-6876	1	Grill-Top
1:2	115-5105	1	Decal-Warning	29	3230-9	4	Screw-CARR
1:3	115-5113	1	Decal-Protection, Eye And Ear	30	3230-2	4	Bolt-CARR
2	119-2966	1	Axle ASM	32	322-5	2	Screw-HH
4	115-9048	1	Fuel Tank ASM	33	92-1242	2	Decal
5	119-6285	2	Strap-Hold Down, Tank	34	104-8300	12	Nut-Flange, NI
6	112-6852	2	Fender	37	3256-82	8	Washer-Flat
7	104-8301	2	Nut-Flange, NI	43	3233-26	4	Screw-CARR, Short Neck
8	104-7201	4	Nut-HF	45	99-5107	4	Nut-Lock
9	1-543286	2	Grommet	47	105-4886	2	Nut-Tinnerman
11	2412-133	2	R-Clamp	48	323-6	2	Screw-HH
12	104-7050	1	Tube-Manual	49	80-6990	2	Washer-Hardened
13	119-3013	2	Wheel And Tire ASM	50	125-4262	1	Control Tower ASM
13:1	119-3009	1	Tire	50:2	117-2718	1	Decal-Arrester, Spark
13:2	119-3010	1	Rim	50:3	119-6165	1	Decal-Ignition
13:3	232-27	1	Stem-Valve	51	3234-19	4	Screw-HHF
14	323-14	2	Screw-HH	52	93-8806	8	Washer-Hardened
15	119-3005	1	Hitch ASM	53	32128-19	4	Nut-HF
19	104-7048	1	Cap-Housing	54	121-2870	4	Mount-2 Piece



Axle Assembly No. 119-2966

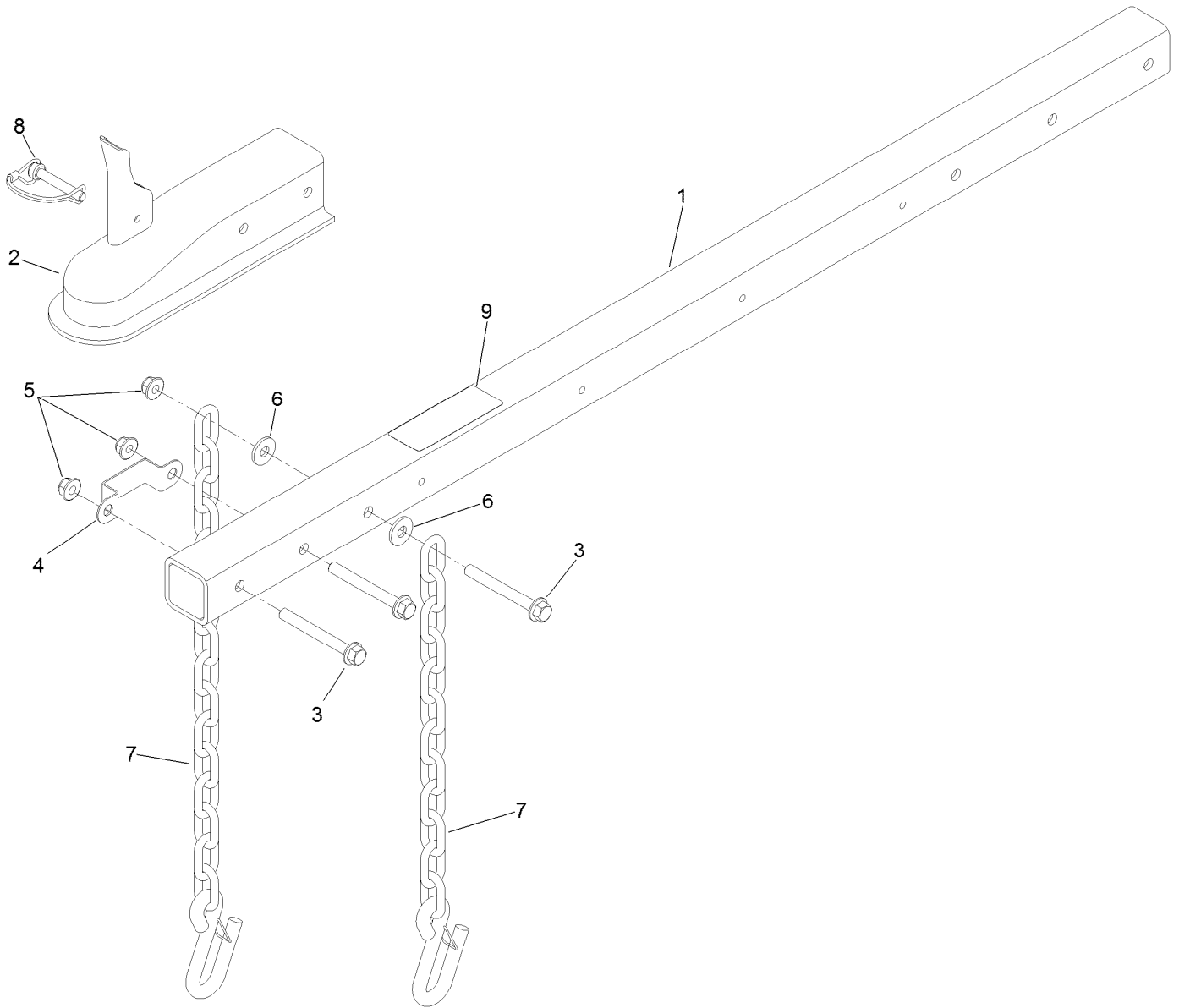
Ref.	Part Number	Qty.	Description
1		1	Axle-Torsion ●
2	254-94	4	Bearing-Cone, Tapered
3	119-3016	1	Hub ASM
3:2	114-3918	5	Stud-Wheel
3:3	254-72	2	Bearing-Cup, Tapered
4	112-1690	2	Seal-Oil
5	117-8259	2	Washer-Spindle
6	117-8260	2	Nut
7	3272-18	2	Pin-Cotter
8	93-0307	2	Nut-Lock, Retainer
9	241-119	2	Cap-Dust
10	242-50	10	Nut-Lug

● Not serviced separately



Fuel Tank Assembly No. 115-9048

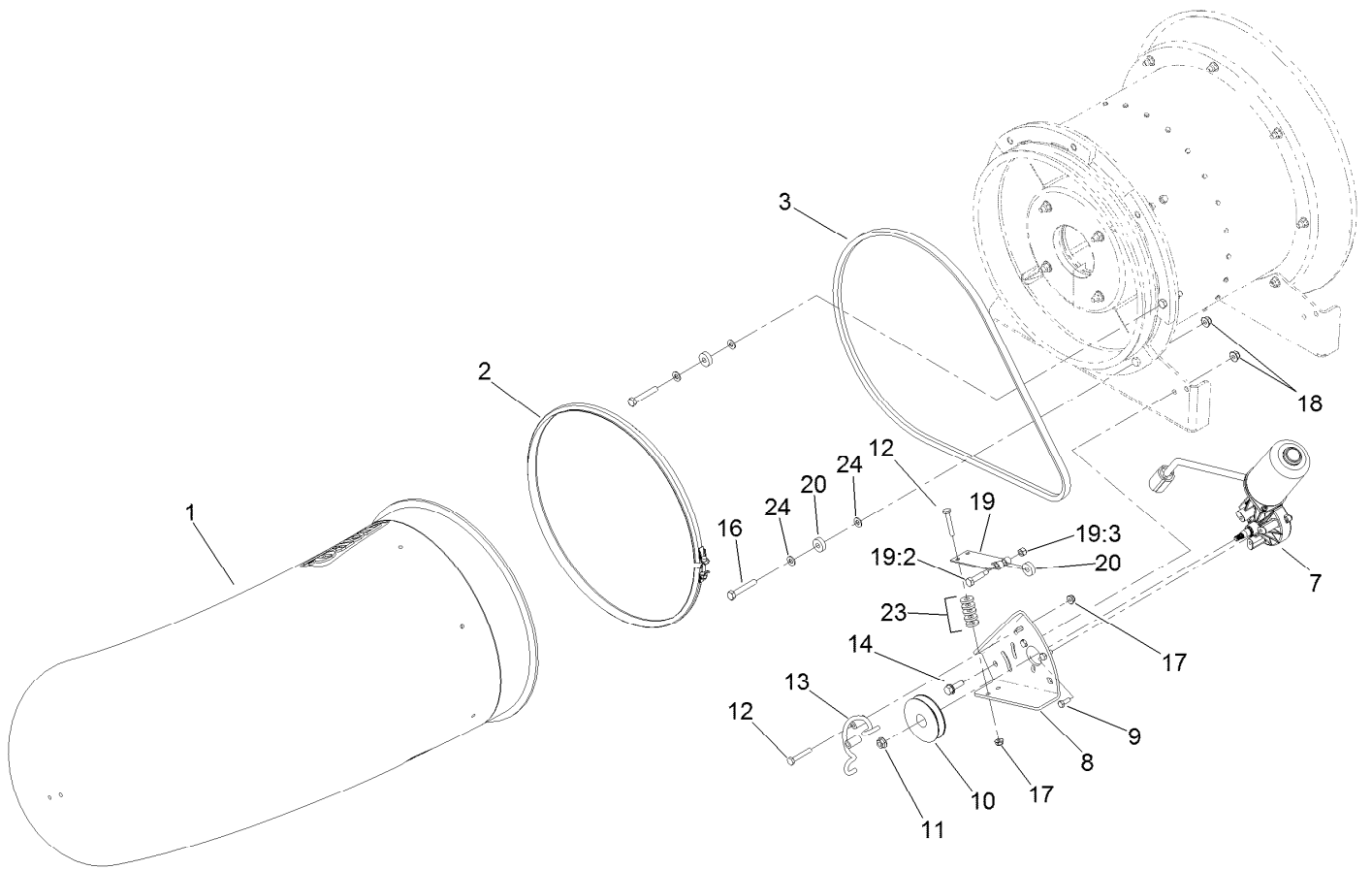
<i>Ref.</i>	<i>Part Number</i>	<i>Qty.</i>	<i>Description</i>
2	114-0284	1	Grommet
3	114-0285	1	Valve-Rollover
4	46-6560	1	Bushing
5	115-9044	1	Pipe-Stand
6	115-7788	1	Cap-Fuel
7	119-0509	1	Gauge ASM
7:1	117-8404	1	Dial-Gauge
7:2	119-0508	1	Seal



Hitch Assembly No. 119-3005

Ref.	Part Number	Qty.	Description
1		1	Tube-Hitch ●
2	117-8371	1	Receiver-Hitch, Ball
3	3234-41	3	Screw-HHF
4	119-3006	1	Hook-Light
5	104-8301	3	Nut-Flange, NI
6	80-6990	2	Washer-Hardened
7	119-3045	2	Chain-Safety, Trailer
8	105-9245	1	Pin-Lock
9	119-6162	1	Decal-Tire

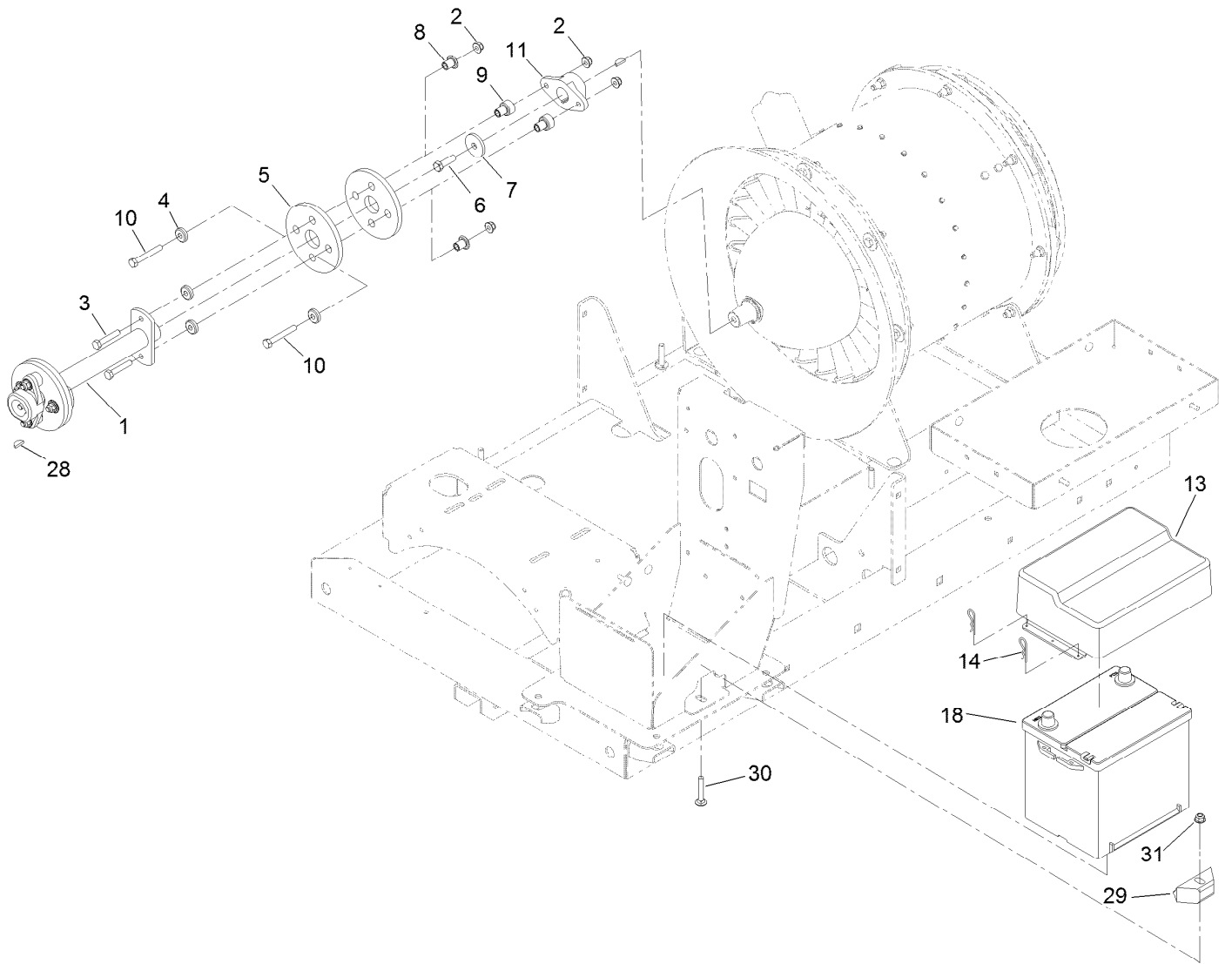
● Not serviced separately



Nozzle, Belt and Guard Assembly

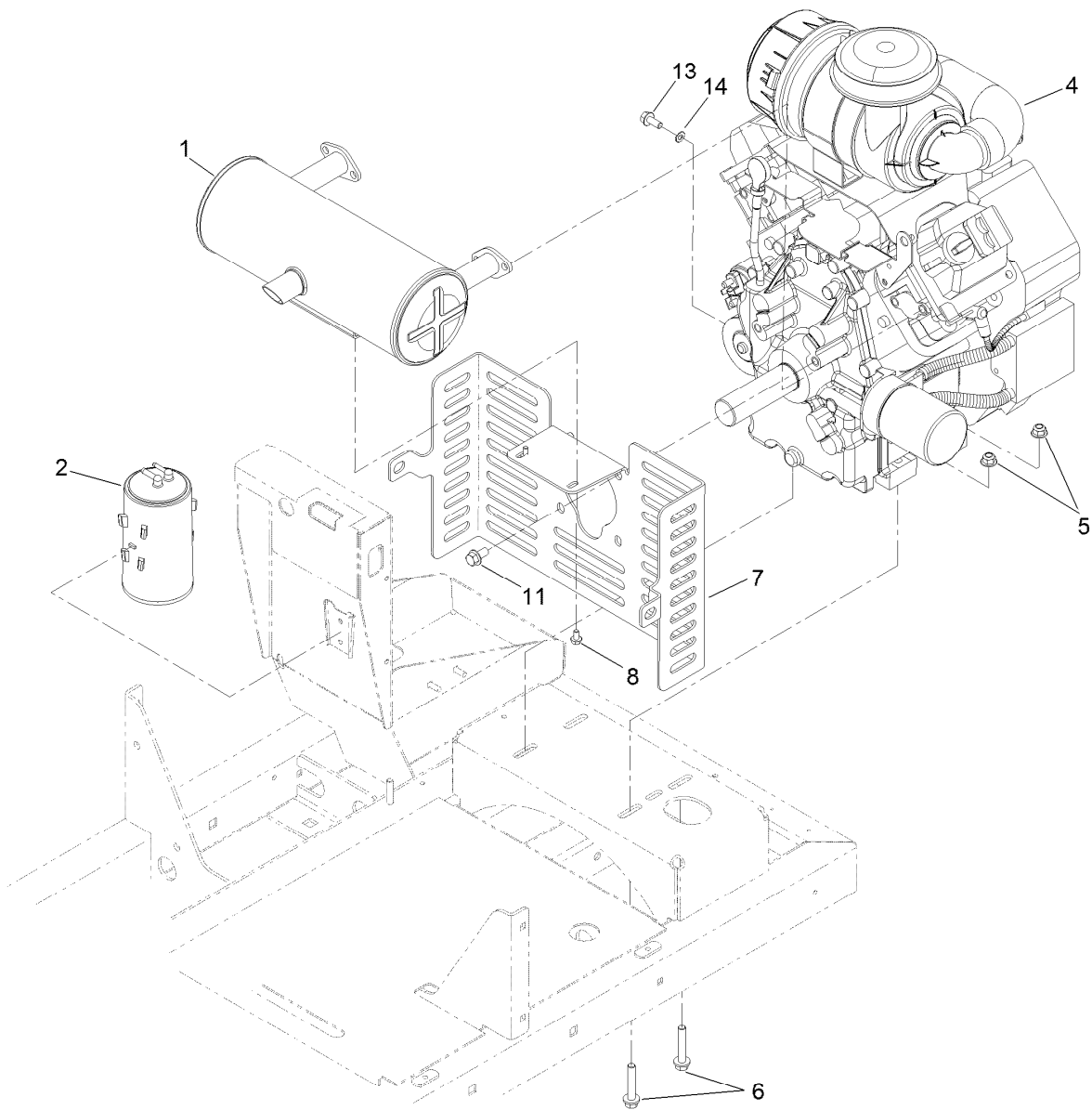
Ref.	Part Number	Qty.	Description
1	119-6287	1	Nozzle
2	112-6899	1	Clamp-Nozzle
3	112-1853	1	Belt-V
7	119-6340	1	Motor-Reversible
8	115-5149-01	1	Bracket-Motor
9	33113-016	3	Screw-HH
10	115-5147	1	Pulley
11	98-0668	1	Nut
12	321-37	4	Screw-HH
13	112-6924	1	Guard-Belt, Drive

Ref.	Part Number	Qty.	Description
14	3234-29	2	Screw-HHF
16	322-10	2	Screw-HH
17	104-7201	4	Nut-HF
18	104-8300	2	Nut-Flange, NI
19	110-9650	1	Leaf Spring ASM
19:2	36-2250	1	Bolt-Shoulder
19:3	3296-42	1	Nut-Lock, NI
20	251-259	3	Bearing-Ball
23	88-7200	10	Washer-Flat
24	3256-74	4	Washer-Flat



Battery and Drive Shaft Assembly

<i>Ref.</i>	<i>Part Number</i>	<i>Qty.</i>	<i>Description</i>	<i>Ref.</i>	<i>Part Number</i>	<i>Qty.</i>	<i>Description</i>
1	115-5124-03	1	Drive Shaft ASM	10	322-32	4	Screw-HH
2	104-8300	8	Nut-Flange, NI	11	114-2122	2	Hub-Engine
3	322-39	4	Screw-HH	13	121-2871	1	Cover-Battery
4	115-5118	8	Washer	14	3290-467	2	Pin-Hair
5	115-5129	4	Coupling-Rubber	18	106-5187	1	Battery
6	323-7	2	Screw-HH	28	3257-5	2	Key-Woodruff
7	114-2120	2	Washer	29	66-2490	1	Retainer-Battery
8	115-5120	4	Spacer-Coupling, Rubber	30	3230-5	1	Screw-CARR
9	115-5119	4	Spacer-Coupling, Rubber	31	104-8300	1	Nut-Flange, NI

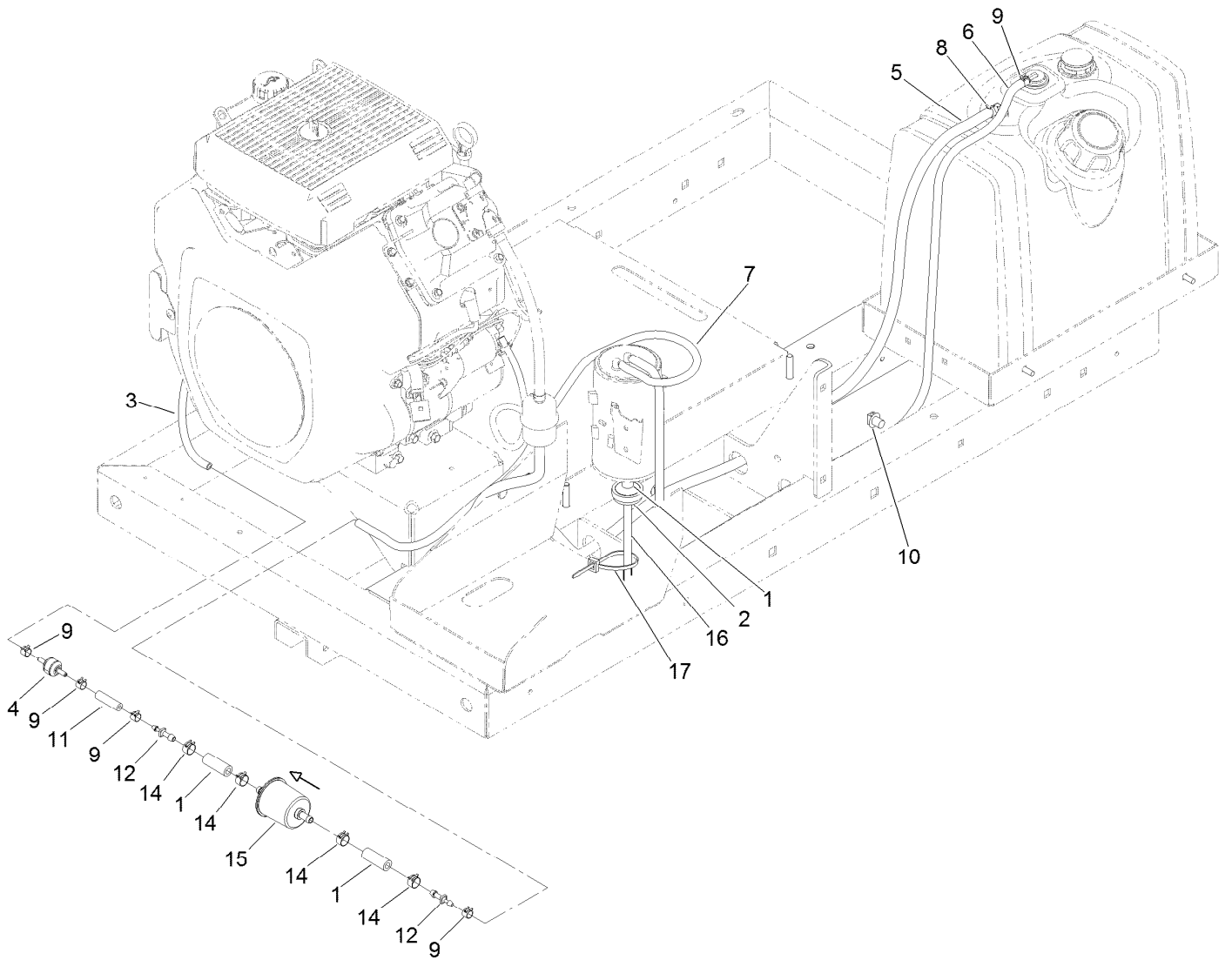


Engine and Muffler Assembly

<i>Ref.</i>	<i>Part Number</i>	<i>Qty.</i>	<i>Description</i>
1	112-6862	1	Muffler
2	115-2251	1	Canister-Carbon
4		1	Engine-Kohler, Ch740-3137 ●■
5	104-8301	4	Nut-Flange, NI
6	66-9302	4	Screw-HHF, Whiz
7	119-6171-03	1	Mount-Muffler
8	33103-012	2	Screw-HHF
11	110-1718	4	Screw-HHF
13	33104-020	1	Screw-HHF
14	3255-8	1	Washer-Lock

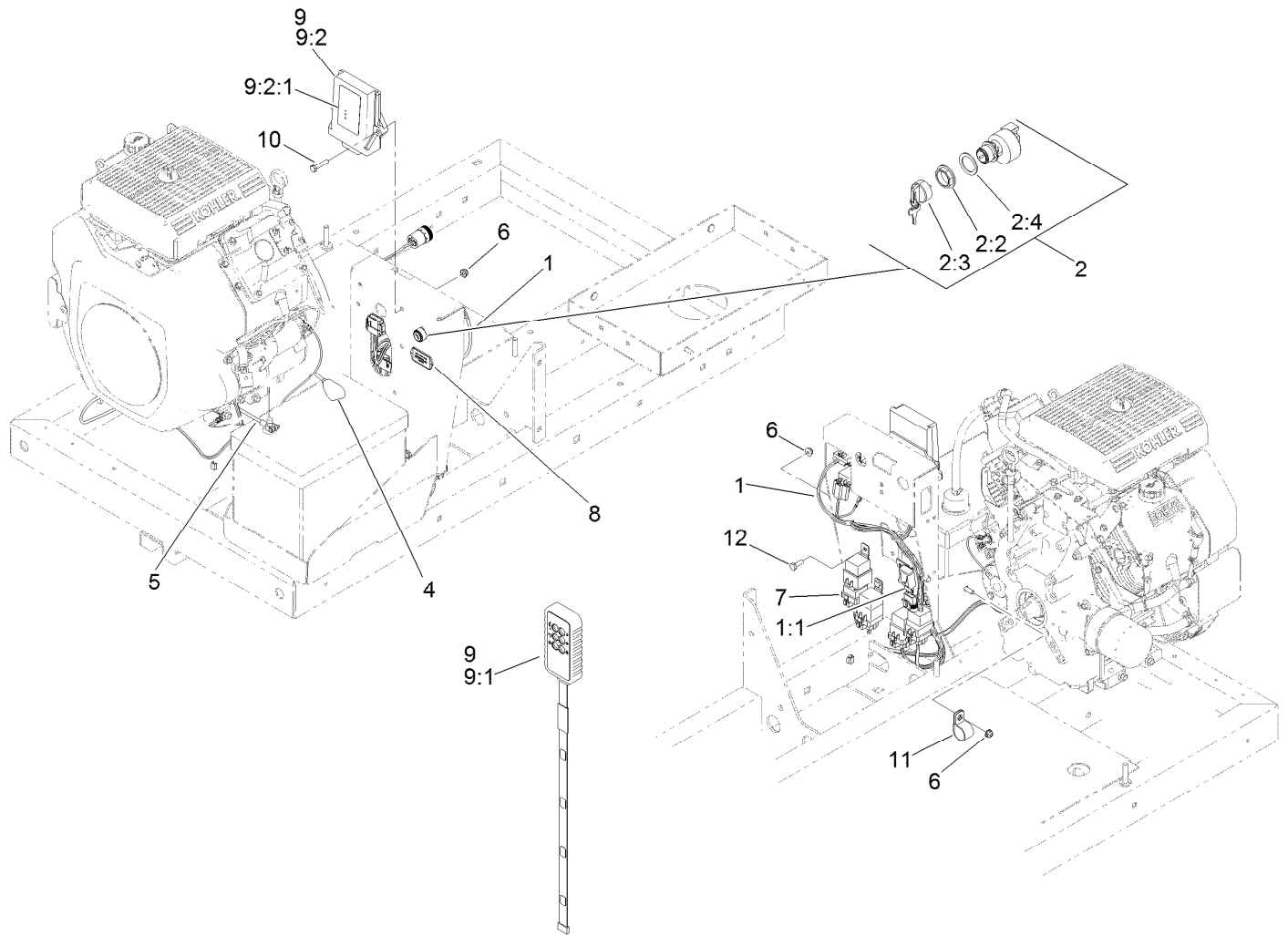
● Not serviced separately

■ Obtain parts from www.kohlerplus.com



Fuel Line Assembly

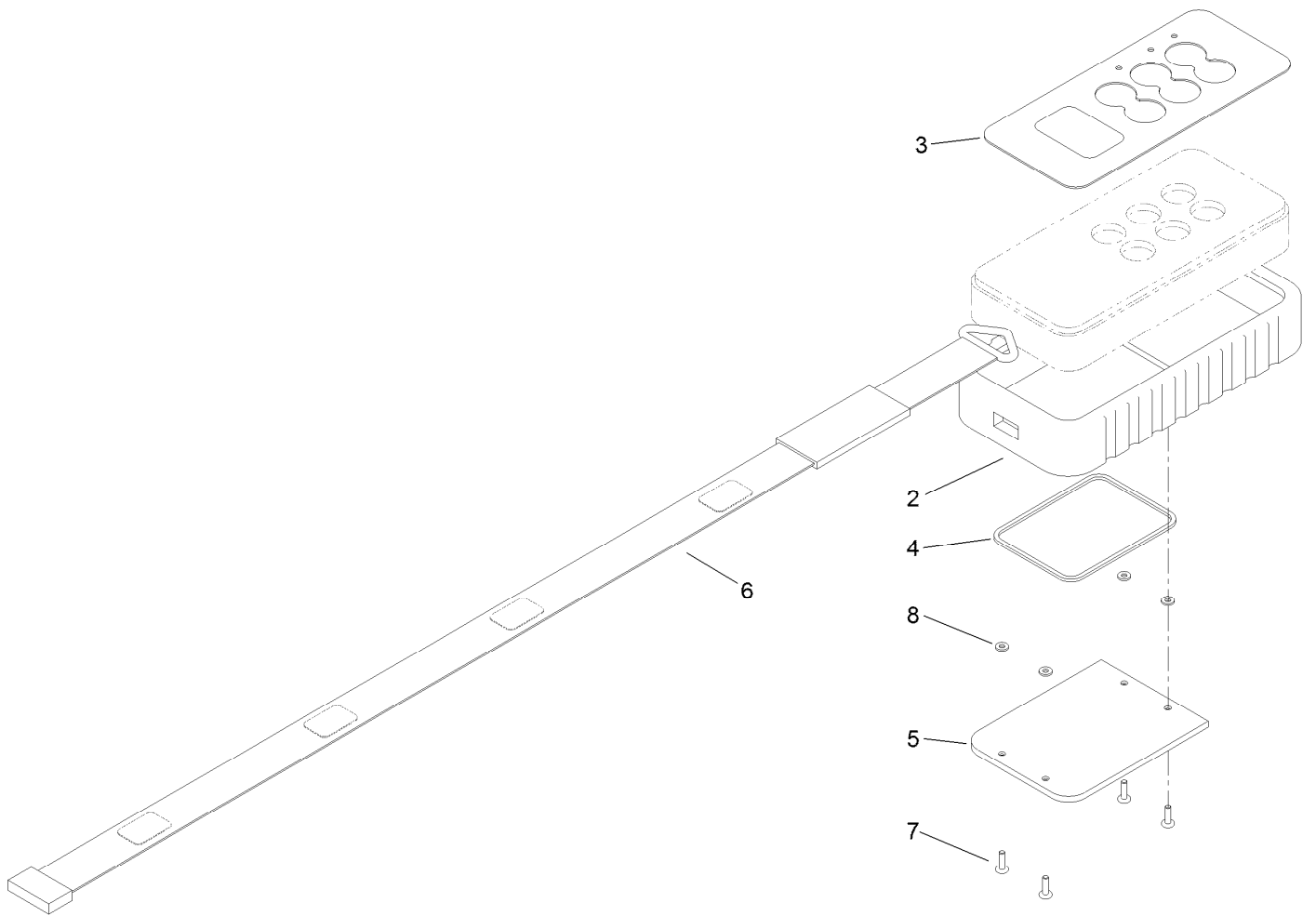
<i>Ref.</i>	<i>Part Number</i>	<i>Qty.</i>	<i>Description</i>	<i>Ref.</i>	<i>Part Number</i>	<i>Qty.</i>	<i>Description</i>
1	106-5317	3	Hose-Fuel	9	2412-80	5	Clamp-Hose
2	115-7854	1	Filter-Fuel, Inline	10	32180-030	6	Clip-Tie
3	119-8150	1	Hose-Fuel	11	119-8561	1	Hose-Fuel
4	115-7868	1	Valve-Check, Vacuum	12	106-8150	2	Fitting-Straight
5	107-9298	1	Hose-Fuel	14	92-2379	4	Clamp-Hose
6	119-6073	1	Hose-Fuel	15	120-2235	1	Filter-Fuel
7	110-3254	1	Hose-Fuel	16	110-4109	1	Hose-Fuel
8	2412-98	2	Clamp-Hose	17	3290-378	1	Tie-Cable



Electrical Assembly

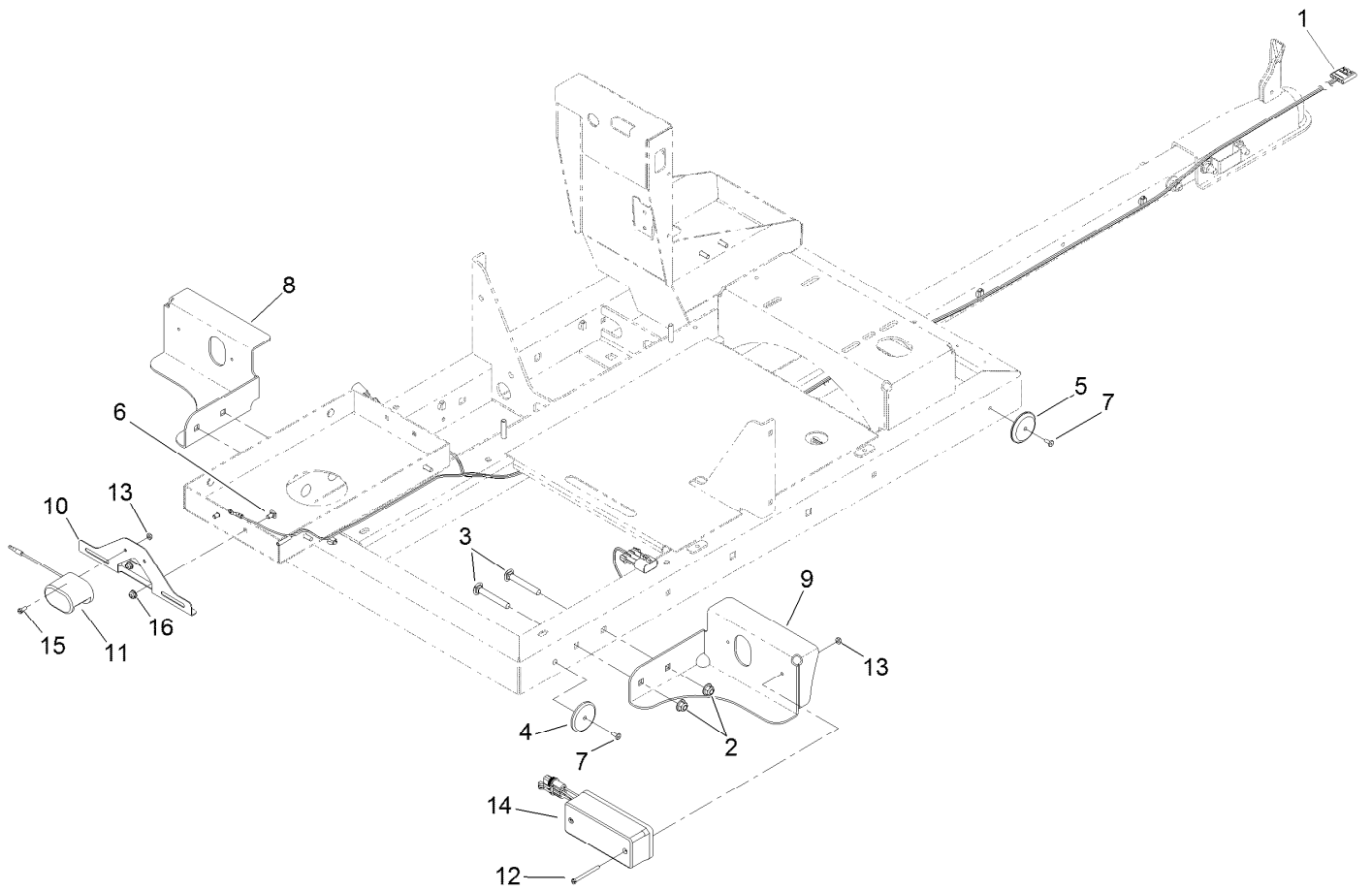
Ref.	Part Number	Qty.	Description	Ref.	Part Number	Qty.	Description
1	121-6564	1	Harness-Wire, Blower	8	1-513374	1	Meter-Hour
1:1	109355	1	Fuse-Blade, 15 Amp	9		1	Transmitter And Receiver ASM ●
2	106-5269	1	Ignition Switch ASM	9:1	121-2751	1	Transmitter-Handheld
2:2	108-8660	1	Nut-Mounting	9:2	121-2752	1	Base-Receiver
2:3	106-5270	1	Ignition Key Set	9:2:1	121-2760	1	Decal-Base
2:4	108-8659	1	Washer-Backup	10	321-8	2	Screw-HH
4	125-5965	1	Cable-Battery, Positive	11	2412-39	1	R-Clamp
5	125-5966	1	Cable-Battery, Negative	12	321-4	4	Screw-HH
6	104-7201	7	Nut-HF				
7	99-7430	4	Relay				

● Not serviced separately



Handheld Transmitter Assembly No. 121-2751

<i>Ref.</i>	<i>Part Number</i>	<i>Qty.</i>	<i>Description</i>
2	121-2754	1	Case-Outer
3	121-2651	1	Decal-Remote
4	121-2755	1	Seal-Door
5	121-2756	1	Battery-Door
6	121-2758	1	Lanyard-Remote
7	121-2757	4	Screw-Door
8	121-2763	4	Washer-Retaining



Tail Light and Reflector Assembly

<i>Ref.</i>	<i>Part Number</i>	<i>Qty.</i>	<i>Description</i>	<i>Ref.</i>	<i>Part Number</i>	<i>Qty.</i>	<i>Description</i>
1	119-1792	1	Harness-Wire	9	119-3004-03	1	Bracket-Light Mount (RH)
2	104-8301	4	Nut-Flange, NI	10	119-6072-03	1	Bracket-Plate, License
3	3231-9	4	Screw-CARR	11	119-3041	1	Lamp-License
4	74-2390	2	Reflector-Red	12	32105-14	4	Screw-SHH
5	104-6962	2	Reflector-Amber	13	3296-12	6	Nut-Lock, NI
6	3229-10	2	Screw-CARR	14	119-3046	2	Tail-Light
7	3290-412	4	Rivet	15	32105-8	2	Screw-SHH
8	119-3003-03	1	Bracket-Light Mount (LH)	16	104-7201	2	Nut-HF

Notes:

Notes:

Notes:



Count on it.