



**Count on it.**

**Parts Catalog**

**32in Bagger**

**2011 and After TimeCutter® 3000 Series  
Riding Mower**

**Model No. 79333—Serial No. 311000001 and Up**

# Ordering Replacement Parts

To order replacement parts, please supply the part number, the quantity, and the description of each part desired.

## Understanding Reference Numbers

Each identified part in an illustration has a reference number. The reference number for a part also appears in the parts list, along with other information about the part.

This catalog uses two special reference number formats, one to indicate parts in a service assembly and another to indicate the quantity of a given part in an illustration.

## Service Assembly Reference Numbers

Parts in service assemblies have reference numbers in the form a:b. The a represents the reference number of the entire service assembly and the b represents a sequential number unique to each part within the service assembly.

For example, a wheel assembly might be identified by reference number 6, the tire by 6:1, the valve by 6:2, and the wheel by 6:3. When you order the assembly identified by reference number 6, you receive all parts identified by reference numbers 6:1, 6:2, and 6:3. However, you may also order any part individually. Reference numbers of this type appear in illustration and in parts lists.

## Reference Numbers Indicating Quantity

In an illustration, if a reference number indicates more than one part, the reference number has the form nX y. The n represents the quantity of the part, the X is the multiplication symbol, and the y represents the reference number.

For example, in an illustration, the reference number 2X 37 means that two of the parts identified by reference number 37 are indicated.

# List of Abbreviations

**AR:** as required

**ASM:** assembly

**BBC:** blade brake control

**BHTF:** button head thread forming

**CARR:** carriage

**CCW:** counter clockwise

**CW:** clockwise

**DEG:** degrees

**DPA:** Dual Point Adjustment

**ECM:** electronic control module

**EXT:** external

**FH:** flat head

**GA:** gauge

**HD:** heavy-duty

**HF:** hex flange

**HH:** hex head

**HHF:** hex head flange

**HHFTF:** hex head flange thread forming

**HJ:** hex jam

**HLH:** hex lag head

**HOC:** height-of-cut

**HSBH:** hex socket button head

**HSFH:** hex socket flat head

**HSH:** hex socket head

**HWH:** hex washer head

**HWHTF:** hex washer head thread forming

**HYD:** hydraulic

**LH:** left hand

**LP:** Liquid Propane

**NI:** nylon insert

**NPTF:** national pipe thread fine

**PFH:** phillips flat head

**PPH:** phillips pan head

**PPHTF:** phillips pan head thread forming

**PRH:** phillips round head

**PTH:** phillips truss head

**PTO:** power-take-off

**RH:** right hand

**ROPS:** roll-over protection system

**RRB:** rear roller brush

**SFH:** slotted fillister head

**SHH:** slotted hex head

**SHWH:** slotted hex washer head

**SPH:** slotted pan head

**SQH:** square head

**SRH:** slotted round head

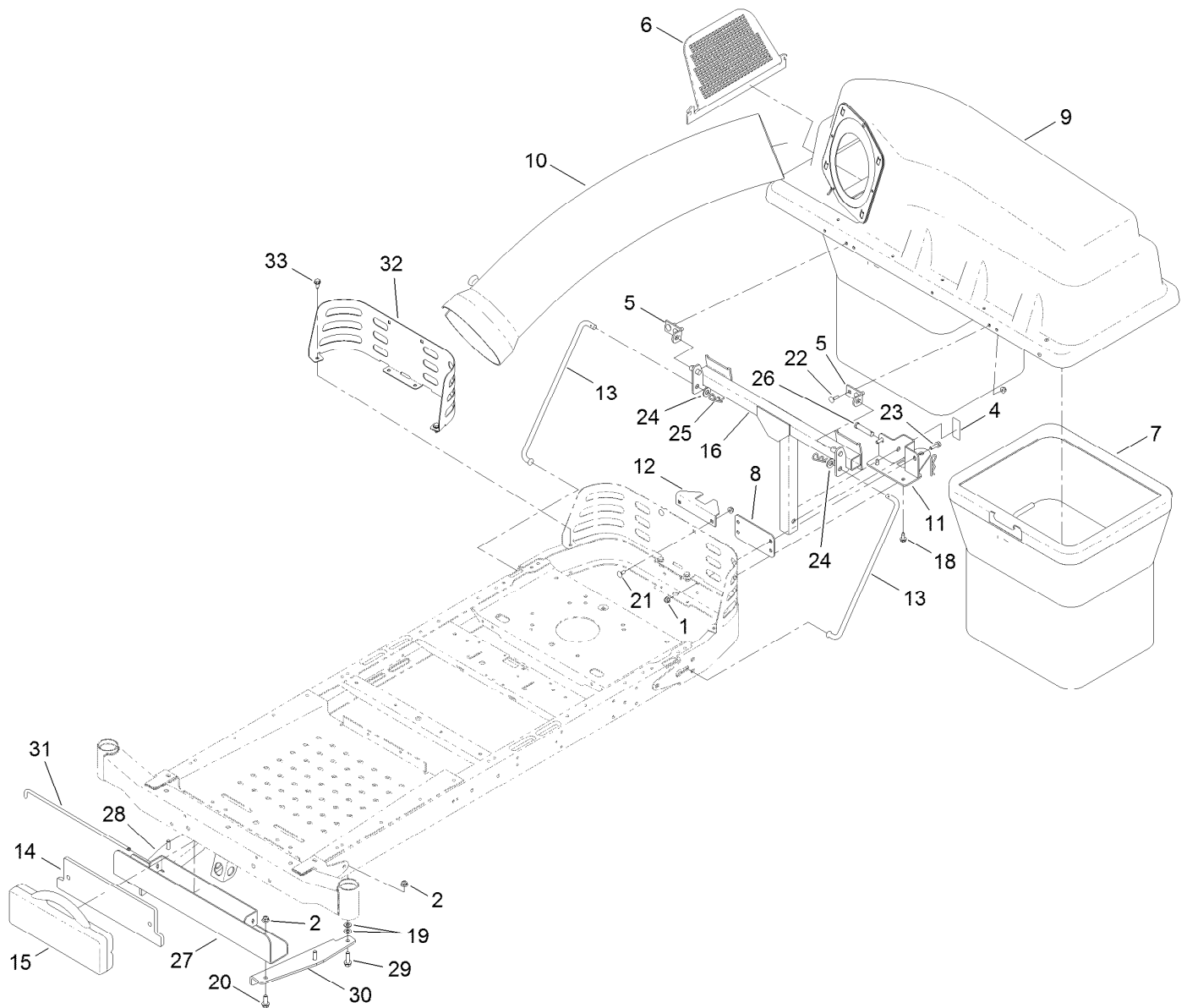
**STD:** standard

**TAP:** self tapping

**TTH:** torx truss head

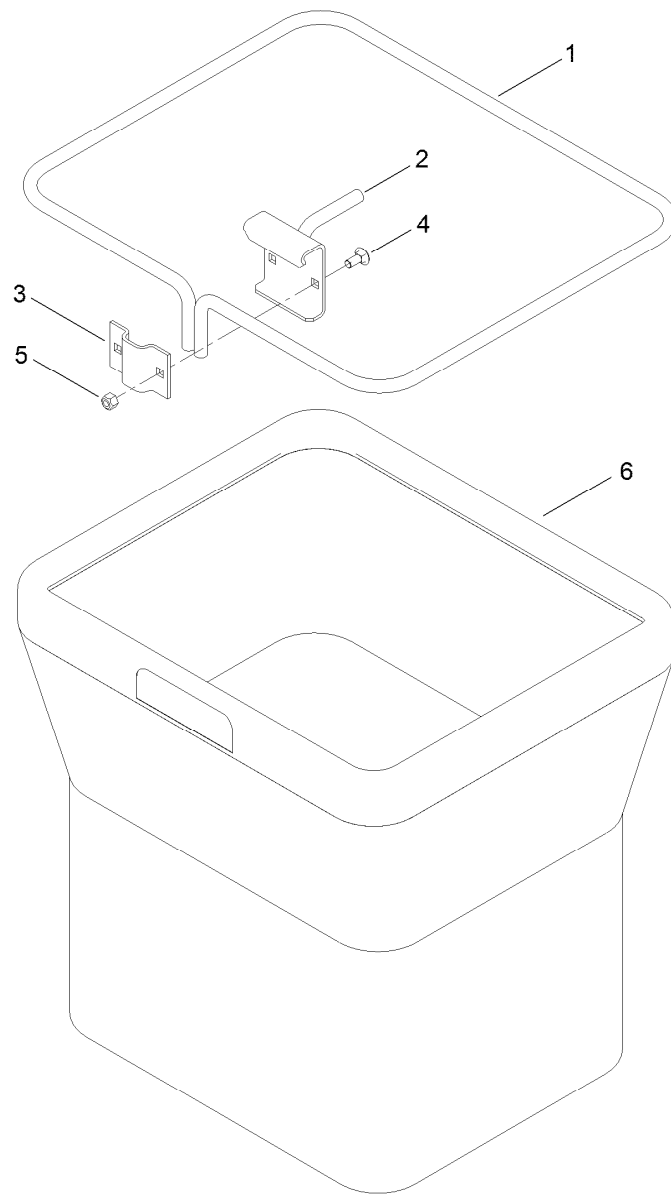
# Contents

|  |   |
|--|---|
| Bagger Assembly .....                            | 4 |
| Bag Assembly No. 112-3994 .....                  | 5 |
| Bagger Top Assembly No. 117-5370 .....           | 6 |
| 32 Inch Chute Assembly .....                     | 7 |
| 32 Inch Bagger Chute Assembly No. 119-8827 ..... | 8 |



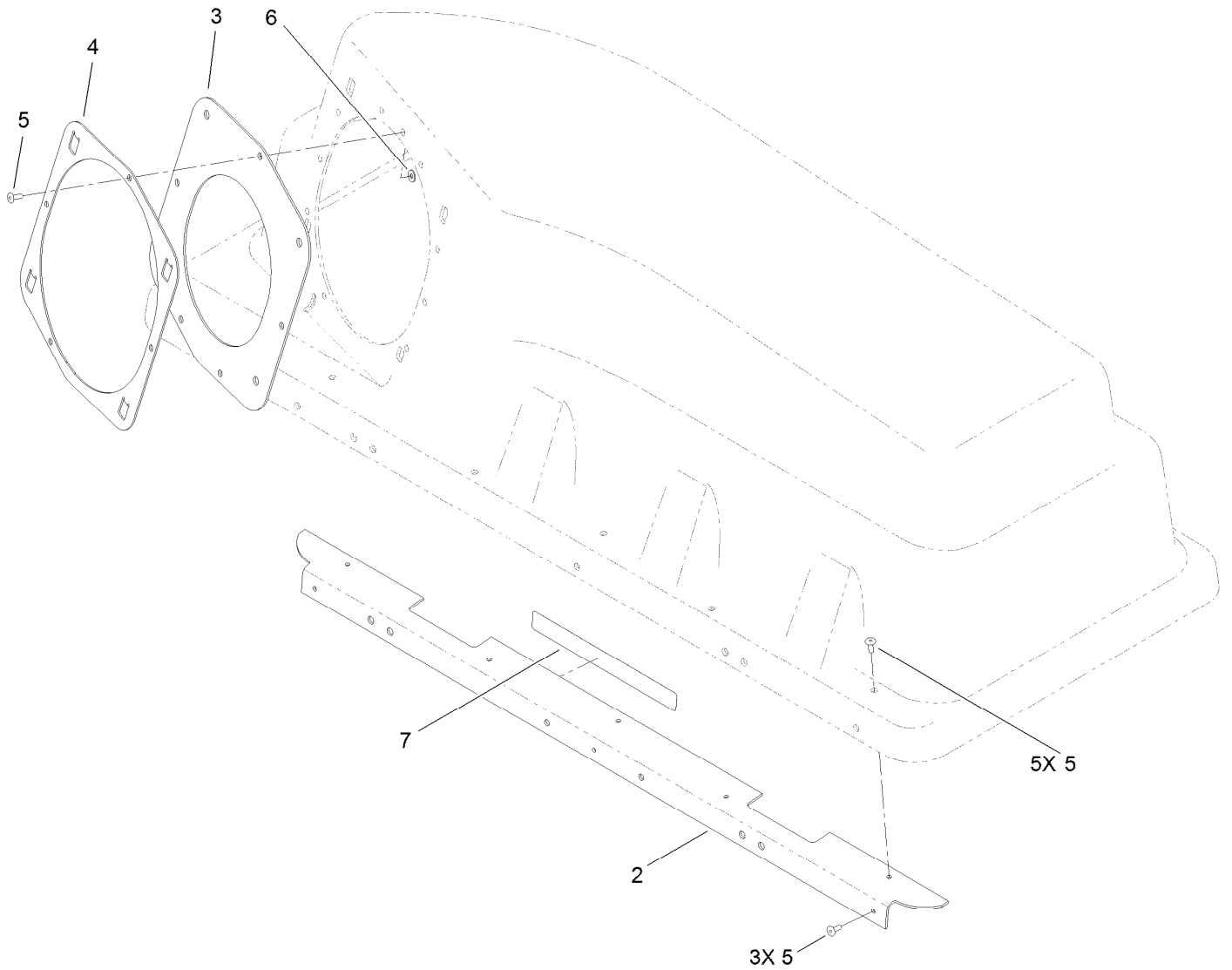
## Bagger Assembly

| <i>Ref.</i> | <i>Part Number</i> | <i>Qty.</i> | <i>Description</i>         | <i>Ref.</i> | <i>Part Number</i> | <i>Qty.</i> | <i>Description</i>        |
|-------------|--------------------|-------------|----------------------------|-------------|--------------------|-------------|---------------------------|
| 1           | 104-8300           | 8           | Nut-Flange, NI             | 18          | 32144-70           | 2           | Screw-HWHTF               |
| 2           | 104-8301           | 4           | Nut-Flange, NI             | 19          | 3256-24            | 4           | Washer-Flat               |
| 4           | 109-7076           | 1           | Decal-Maximum Drawbar Pull | 20          | 3234-42            | 2           | Screw-HHF                 |
| 5           | 112-3987           | 2           | Bracket-Pivot, Hopper      | 21          | 3230-1             | 2           | Bolt-CARR                 |
| 6           | 112-3993           | 1           | Screen-Bagger              | 22          | 3230-2             | 4           | Bolt-CARR                 |
| 7           | 112-3994           | 2           | Bag ASM                    | 23          | 3234-29            | 2           | Screw-HHF                 |
| 8           | 117-5355-03        | 1           | Plate                      | 24          | 3256-26            | 2           | Washer-Flat               |
| 9           | 117-5370           | 1           | Bagger Top ASM             | 25          | 3290-355           | 3           | Pin-Hair                  |
| 10          | 112-3995           | 1           | Tube-Bagger                | 26          | 92-2739            | 1           | Pin-Clevis                |
| 11          | 119-8850-03        | 1           | Support-Bagger             | 27          | 120-5491-03        | 1           | Channel-Bagger Weight     |
| 12          | 119-8852-03        | 1           | Bracket-Stabilizer         | 28          | 120-5502-03        | 1           | Bracket-Bagger Weight, RH |
| 13          | 119-8853           | 2           | Rod-Support                | 29          | 119-4061           | 4           | Screw-HHF                 |
| 14          | 120-5495-03        | 1           | Plate                      | 30          | 120-5497-03        | 1           | Bracket-Bagger Weight     |
| 15          | 109-9742-03        | 1           | Weight-35 Pound            | 31          | 109-9759           | 1           | Pin-Weight                |
| 16          | 120-2292-03        | 1           | Frame-Pivot                | 32          | 119-8855-03        | 1           | Guard-Rear                |
|             |                    |             |                            | 33          | 32144-70           | 4           | Screw-HWHTF               |



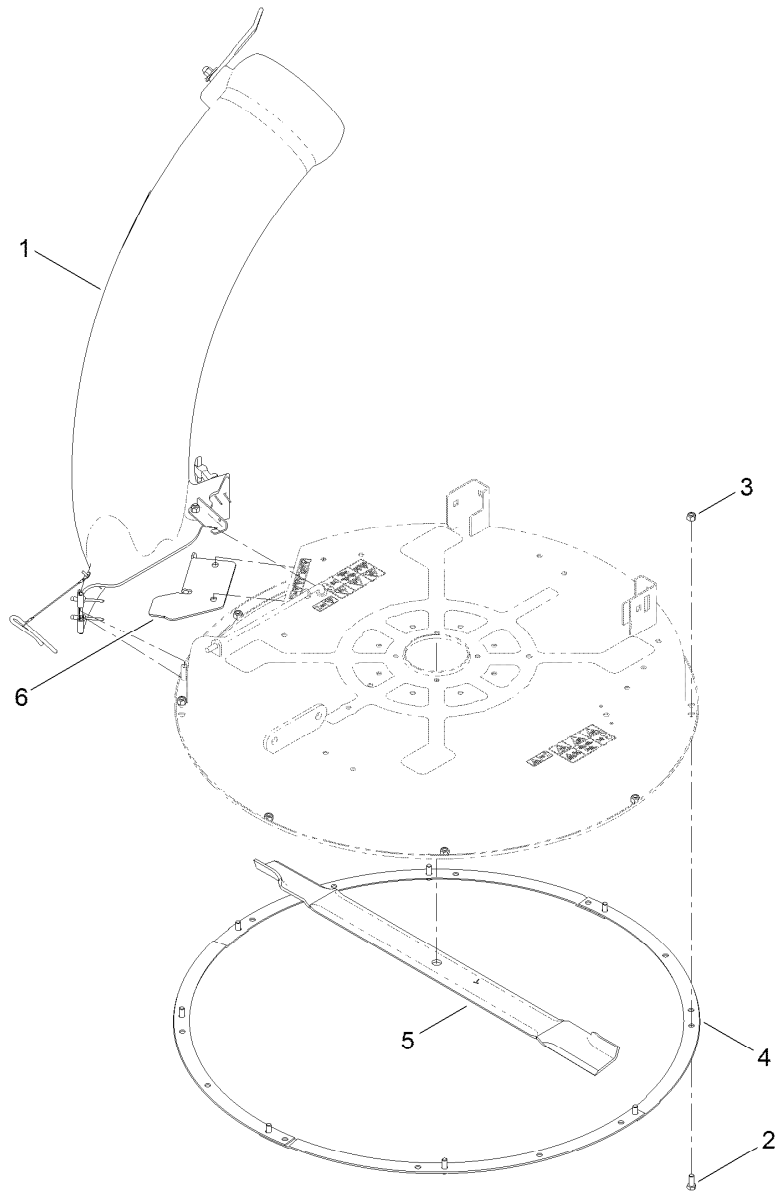
## Bag Assembly No. 112-3994

| <i>Ref.</i> | <i>Part Number</i> | <i>Qty.</i> | <i>Description</i> |
|-------------|--------------------|-------------|--------------------|
| 1           | 114972-03          | 1           | Frame-Bag          |
| 2           | 112-4012-03        | 1           | Hanger ASM         |
| 3           | 114974-03          | 1           | Clamp              |
| 4           | 3230-1             | 2           | Bolt-CARR          |
| 5           | 3296-29            | 2           | Nut-Lock, NI       |
| 6           | 110-6674           | 1           | Bag                |



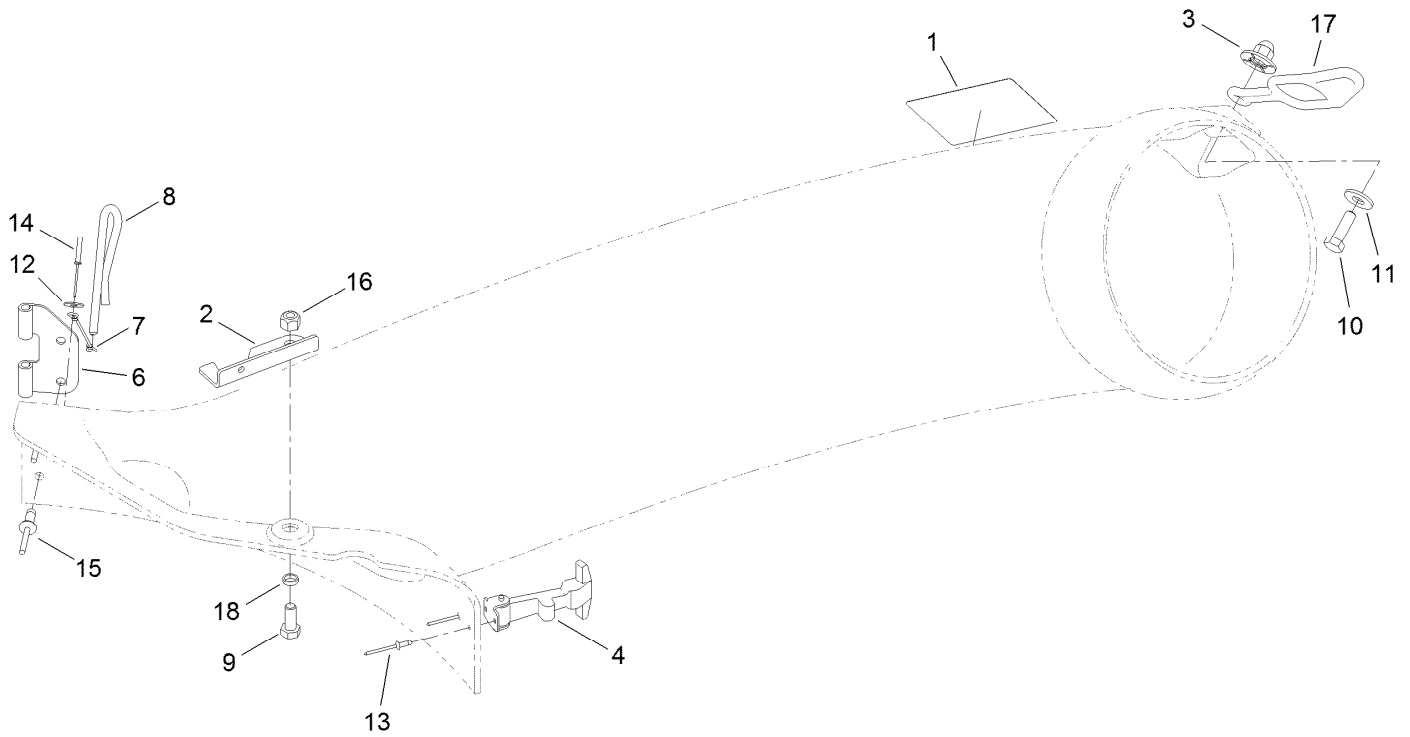
## Bagger Top Assembly No. 117-5370

| <i>Ref.</i> | <i>Part Number</i> | <i>Qty.</i> | <i>Description</i>   |
|-------------|--------------------|-------------|----------------------|
| 2           | 116-1242-03        | 1           | Stiffener-Bagger Top |
| 3           | 112-4001           | 1           | Gasket               |
| 4           | 112-4000-03        | 1           | Ring-Retainer        |
| 5           | 114439             | 12          | Rivet-Pop            |
| 6           | 9202704            | 4           | Washer               |
| 7           | 109-6809           | 1           | Decal-Caution Bagger |



## 32 Inch Chute Assembly

| <i>Ref.</i> | <i>Part Number</i> | <i>Qty.</i> | <i>Description</i>       |
|-------------|--------------------|-------------|--------------------------|
| 1           | 119-8827           | 1           | 32 Inch Bagger Chute ASM |
| 2           | 322-3              | 8           | Screw-HH                 |
| 3           | 3296-29            | 8           | Nut-Lock, NI             |
| 4           | 80-4490-03         | 4           | Ring-Deck                |
| 5           | 33-4750-03         | 1           | Blade                    |
| 6           | 120-2224-03        | 1           | Bracket-Cutoff           |



## 32 Inch Bagger Chute Assembly No. 119-8827

| <i>Ref.</i> | <i>Part Number</i> | <i>Qty.</i> | <i>Description</i>     |
|-------------|--------------------|-------------|------------------------|
| 1           | 110-6691           | 1           | Decal-Danger           |
| 2           | 120-7118           | 1           | Latch                  |
| 3           | 114-9015           | 1           | Nut-Impeller           |
| 4           | 117344             | 1           | Handle ASM             |
| 6           | 119-8971           | 1           | Bracket-Chute Mounting |
| 7           | 28-8070            | 1           | Lanyard                |
| 8           | 28-8130            | 1           | Pin-Locking, Chute     |
| 9           | 322-3              | 1           | Screw-HH               |
| 10          | 322-5              | 1           | Screw-HH               |

| <i>Ref.</i> | <i>Part Number</i> | <i>Qty.</i> | <i>Description</i> |
|-------------|--------------------|-------------|--------------------|
| 11          | 3256-3             | 1           | Washer-Flat        |
| 12          | 3256-49            | 1           | Washer-Flat        |
| 13          | 3269-31            | 2           | Rivet-Pop          |
| 14          | 3290-282           | 1           | Rivet-Blind        |
| 15          | 3290-412           | 2           | Rivet              |
| 16          | 3296-29            | 1           | Nut-Lock, NI       |
| 17          | 82-5690            | 1           | Retainer-Duct      |
| 18          | 93-8013            | 1           | Bushing            |

**Notes:**

**Notes:**

**Notes:**



**Count on it.**