



**Count on it.**

**Parts Catalog**

**GrandStand<sup>®</sup> Mower**

**With 52in TURBO FORCE<sup>®</sup> Cutting Unit**

**Model No. 74549—Serial No. 31000001 and Up**

# Ordering Replacement Parts

To order replacement parts, please supply the part number, the quantity, and the description of each part desired.

## Understanding Reference Numbers

Each identified part in an illustration has a reference number. The reference number for a part also appears in the parts list, along with other information about the part.

This catalog uses two special reference number formats, one to indicate parts in a service assembly and another to indicate the quantity of a given part in an illustration.

## Service Assembly Reference Numbers

Parts in service assemblies have reference numbers in the form a:b. The a represents the reference number of the entire service assembly and the b represents a sequential number unique to each part within the service assembly.

For example, a wheel assembly might be identified by reference number 6, the tire by 6:1, the valve by 6:2, and the wheel by 6:3. When you order the assembly identified by reference number 6, you receive all parts identified by reference numbers 6:1, 6:2, and 6:3. However, you may also order any part individually. Reference numbers of this type appear in illustration and in parts lists.

## Reference Numbers Indicating Quantity

In an illustration, if a reference number indicates more than one part, the reference number has the form nX y. The n represents the quantity of the part, the X is the multiplication symbol, and the y represents the reference number.

For example, in an illustration, the reference number 2X 37 means that two of the parts identified by reference number 37 are indicated.

# List of Abbreviations

**AR:** as required

**ASM:** assembly

**BBC:** blade brake control

**BHTF:** button head thread forming

**CARR:** carriage

**CCW:** counter clockwise

**CW:** clockwise

**DEG:** degrees

**ECM:** electronic control module

**EXT:** external

**FH:** flat head

**GA:** gauge

**HD:** heavy-duty

**HF:** hex flange

**HH:** hex head

**HHF:** hex head flange

**HHFTF:** hex head flange thread forming

**HJ:** hex jam

**HLH:** hex lag head

**HOC:** height-of-cut

**HSBH:** hex socket button head

**HSFH:** hex socket flat head

**HSH:** hex socket head

**HWH:** hex washer head

**HWHTF:** hex washer head thread forming

**HYD:** hydraulic

**LH:** left hand

**LP:** Liquid Propane

**NI:** nylon insert

**NPTF:** national pipe thread fine

**PFH:** phillips flat head

**PPH:** phillips pan head

**PPHTF:** phillips pan head thread forming

**PRH:** phillips round head

**PTH:** phillips truss head

**PTO:** power-take-off

**RH:** right hand

**ROPS:** roll-over protection system

**RRB:** rear roller brush

**SFH:** slotted fillister head

**SHH:** slotted hex head

**SHWH:** slotted hex washer head

**SPH:** slotted pan head

**SQH:** square head

**SRH:** slotted round head

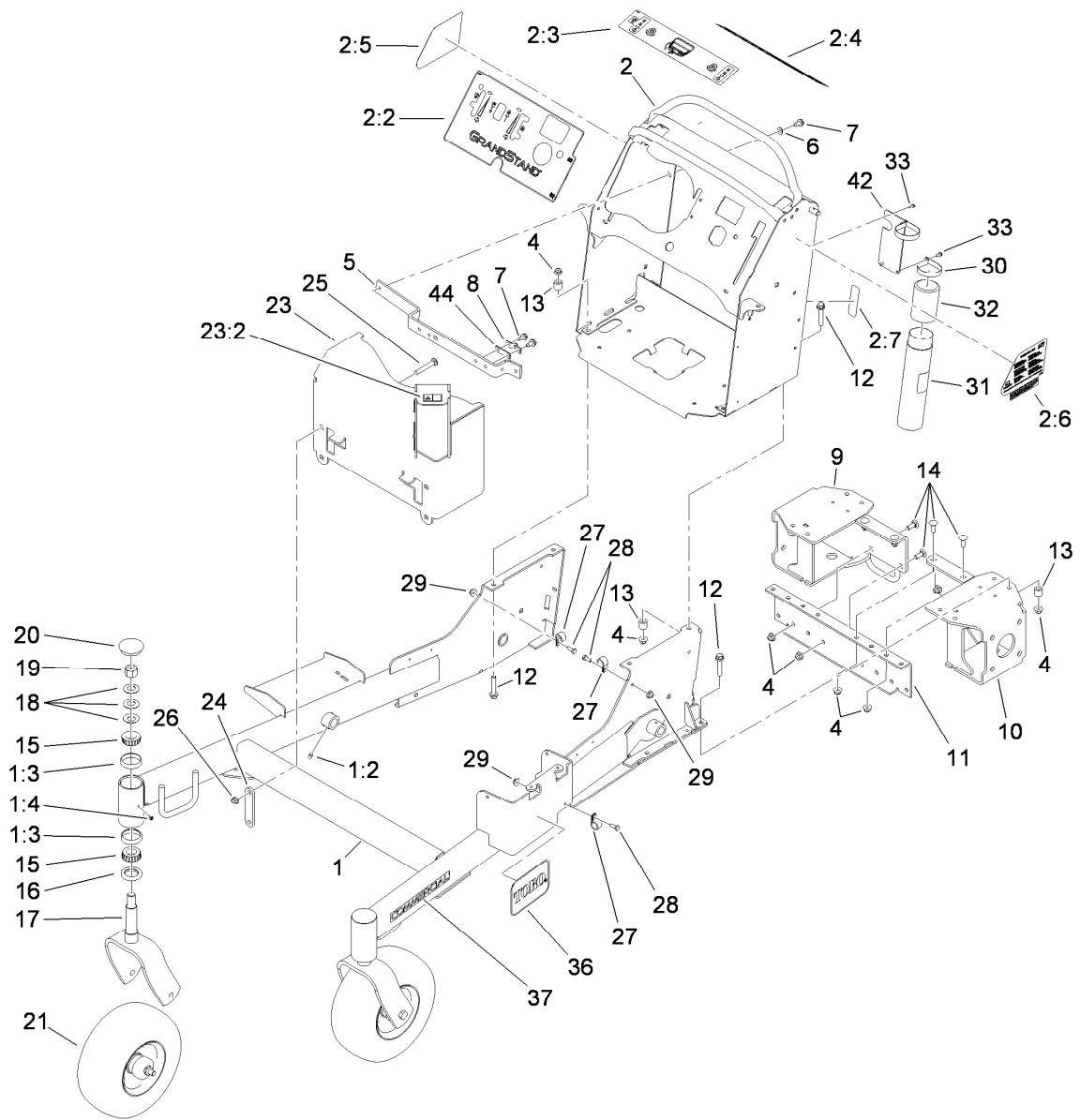
**STD:** standard

**TAP:** self tapping

**TTH:** torx truss head

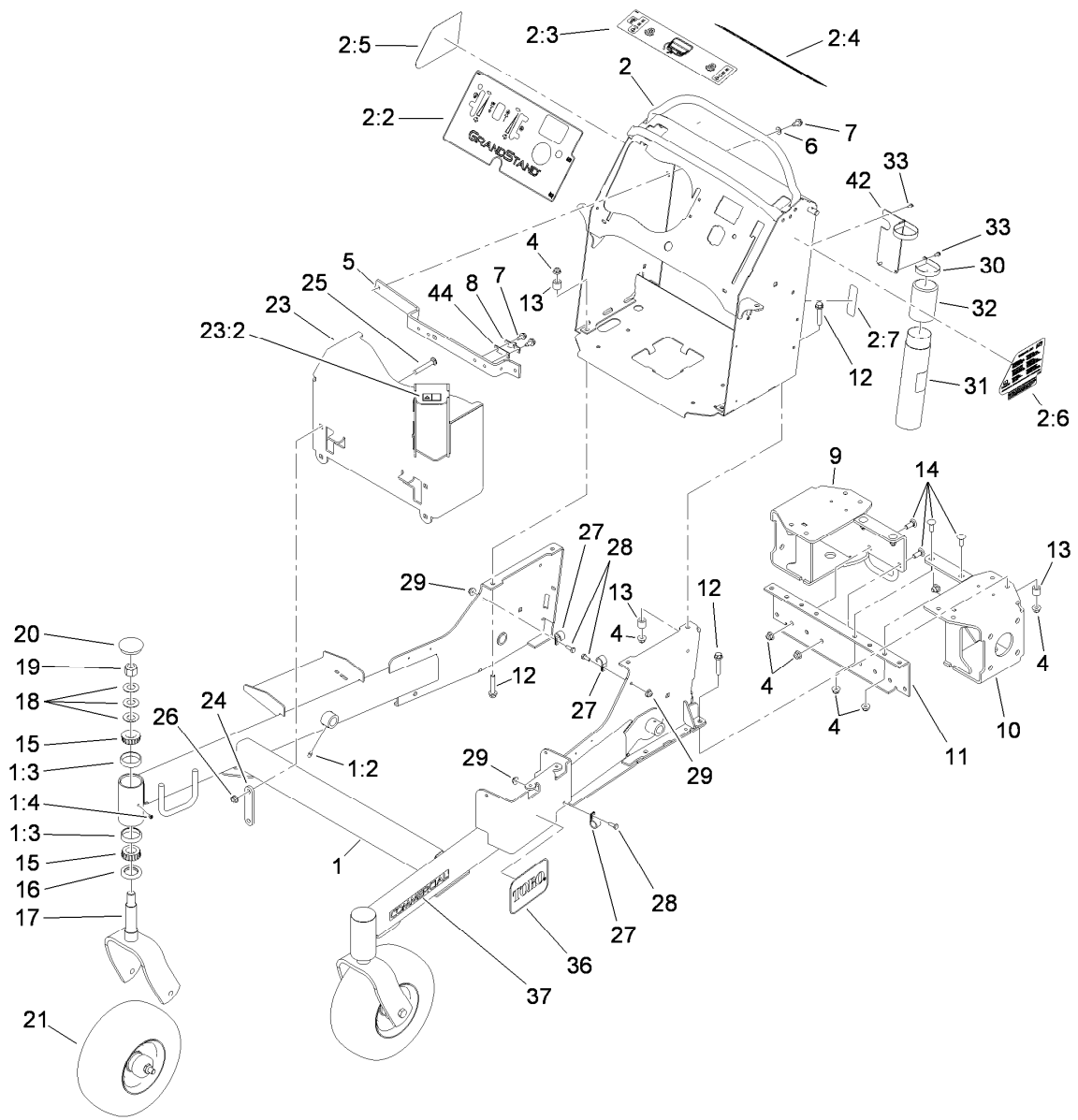
# Contents

Frame Assembly.....	4
Wheel and Bearing Assembly No. 112-3810.....	6
Park Brake Assembly.....	7
Decklift Assembly.....	8
Platform Assembly.....	10
Cushion Assembly No. 117-9770.....	11
Platform Assembly No. 117-9640.....	12
Ground Drive Assembly.....	13
Hydraulic Motor Assembly No. 114-0549.....	15
Hydraulic Pump Assembly No. 117-3597.....	16
Pump Idler Assembly.....	17
Control Assembly.....	18
Engine Assembly.....	20
Fuel Tank Assembly.....	21
Electrical Assembly.....	22
Deck Assembly.....	23
Deck Assembly No. 117-5754.....	24
Spring Idler Assembly No. 117-0445.....	25
Idler Adjust Assembly No. 117-0446.....	26
Spindle Assembly No. 117-6158.....	27
Deflector Assembly No. 114-1910.....	28



## Frame Assembly

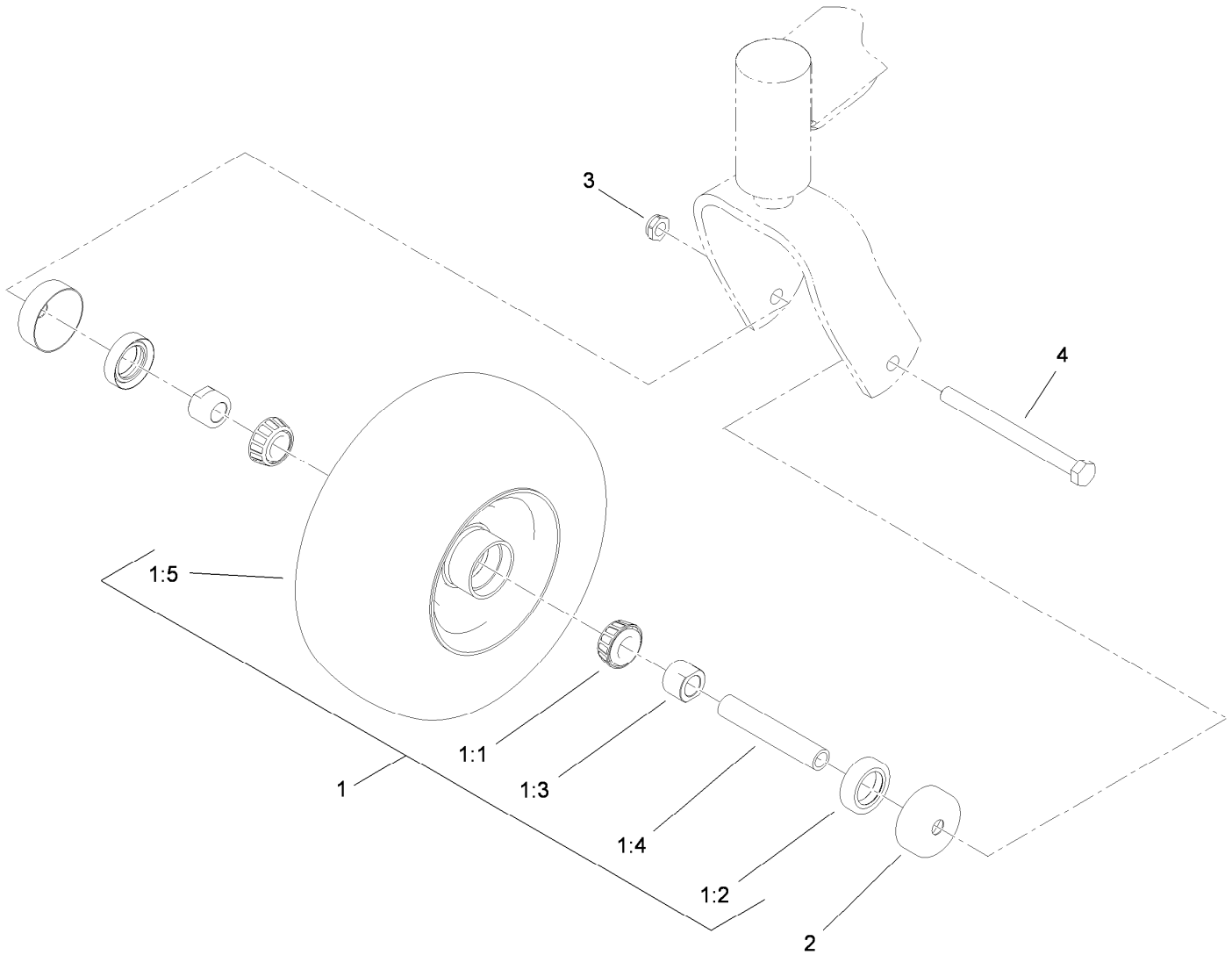
Ref.	Part Number	Qty.	Description	Ref.	Part Number	Qty.	Description
1	117-9690	1	Front Frame ASM	14	3231-22	8	Screw-CARR
1:2	302-5	2	Fitting-Grease	15	1-543509	4	Bearing-Roller, Tapered
1:3	1-543508	4	Cup-Bearing	16	1-543511	2	Seal-Grease
1:4	1-811010	2	Plug	17	103-8618-01	2	Fork-Caster
2	119-7246	1	Control Tower ASM	18	1-633508	6	Washer-Bellville
2:2	119-7245	1	Decal-Panel, Control	19	3296-51	2	Nut-Lock, NI
2:3	117-0454	1	Decal-Opc	20	103-4882	2	Cap-Grease
2:4	117-3626	1	Decal-Warning	21	112-3810	2	Wheel And Bearing ASM
2:5	117-0456	1	Decal-HOC	23	119-0230	1	Muffer Guard ASM
2:6	117-0485	1	Decal-Aid, Service	23:2	106-5517	1	Decal-Surface, Hot
2:7	116-3267	1	Decal-Fuse	24	117-0427-01	2	Bracket-Mounting, Guard
4	104-8301	16	Nut-Flange, NI	25	3231-31	4	Screw-CARR
5	114-1921-03	1	Bar-Cable	26	32128-21	4	Nut-HF
6	3256-23	2	Washer-Flat	27	2412-87	3	Clamp-Cable
7	32144-70	6	Screw-HWHTF	28	321-4	3	Screw-HH
8	93-2279	2	Clamp-Cable	29	104-7201	3	Nut-HF
9	119-7222-01	1	RH Motor Mount ASM	30	2412-120	2	R-Clamp
10	119-7220-01	1	LH Motor Mount ASM	31	104-7050	1	Tube-Manual
11	119-7224-01	1	Mount-Motor, Center	32	104-7048	1	Cap-Housing
12	108-3742	8	Screw-HHF	33	32144-1	4	Screw-Taptite
13	98-8895	8	Spacer	36	68-3640	1	Decal



## Frame Assembly (continued)

Ref.	Part Number	Qty.	Description
37	117-3591	2	Decal-Commercial

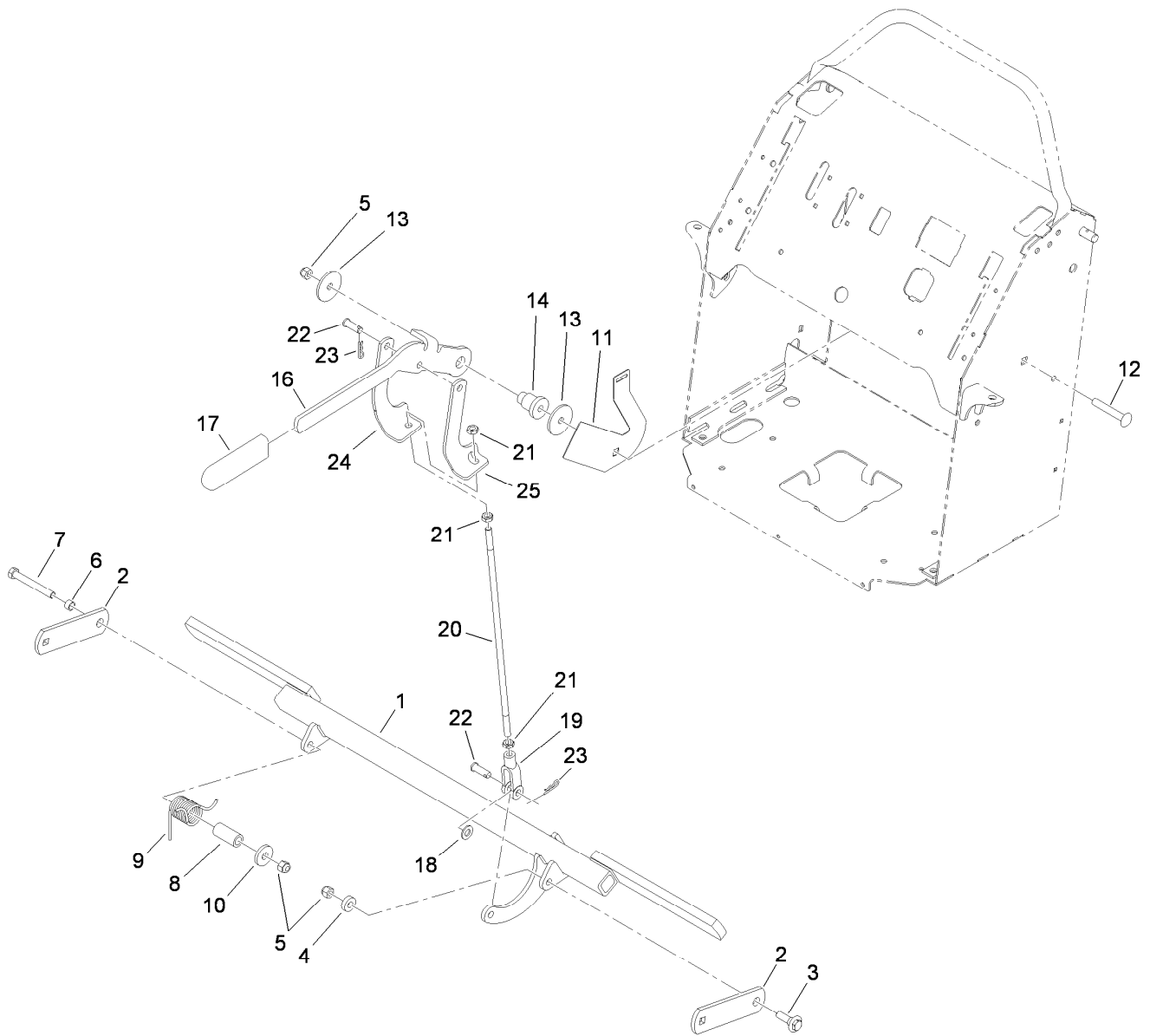
Ref.	Part Number	Qty.	Description
42	117-9745-01	1	Plate-Manual
44	119-2445	2	Shim-Cable



## Wheel and Bearing Assembly No. 112-3810

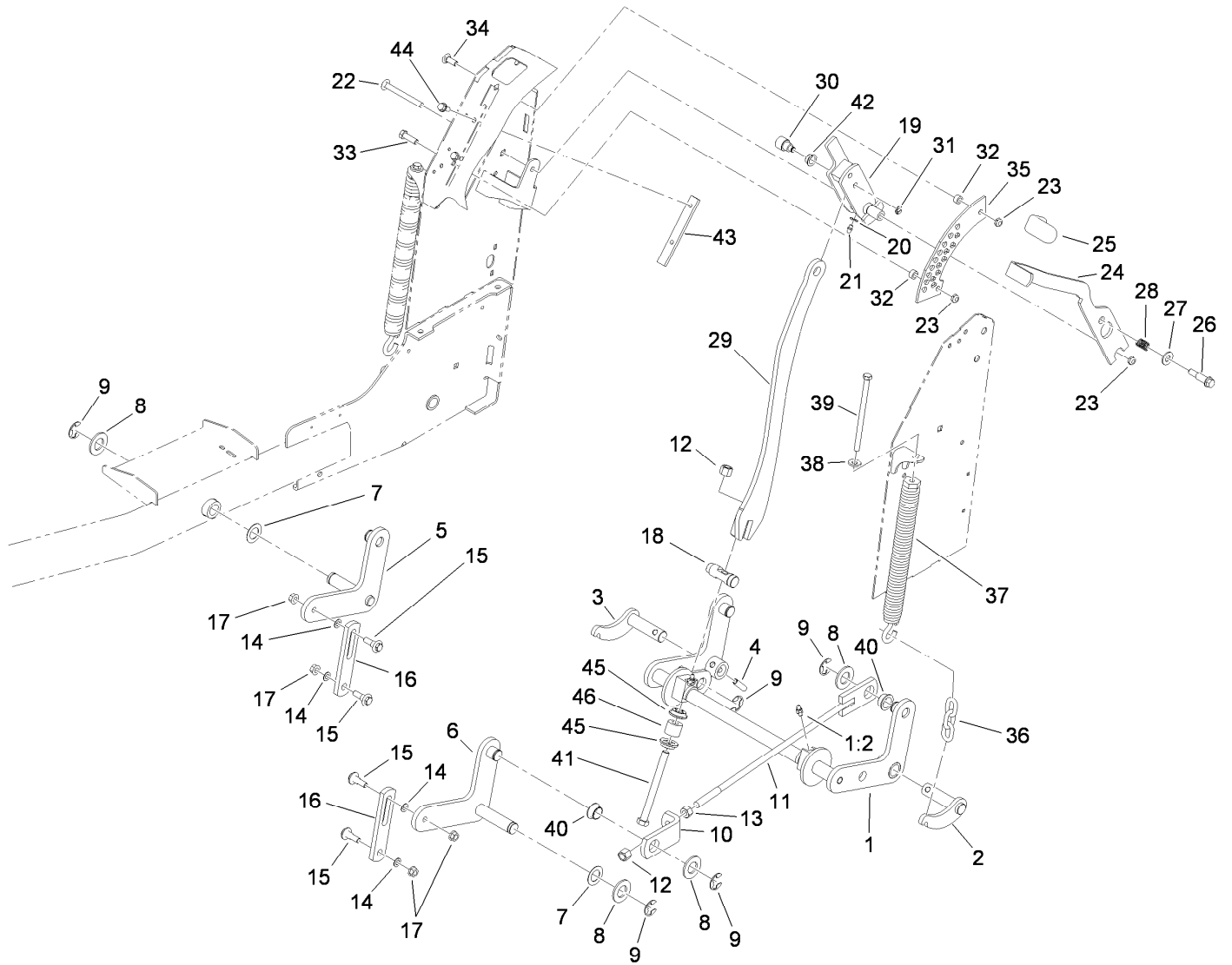
Ref.	Part Number	Qty.	Description
1		1	Wheel And Bearing ASM ●
1:1	1-633585	2	Bearing-Cone, Taper
1:2	103-0063	2	Seal-Caster
1:3	103-3051	2	Spacer-Nut
1:4	103-3157	1	Axle-Caster
1:5	110-9965	1	Wheel And Tire ASM
2	103-2768	2	Guard-Seal
3	3296-45	1	Nut-Lock, NI
4	325-20	1	Screw-HH

● Not serviced separately



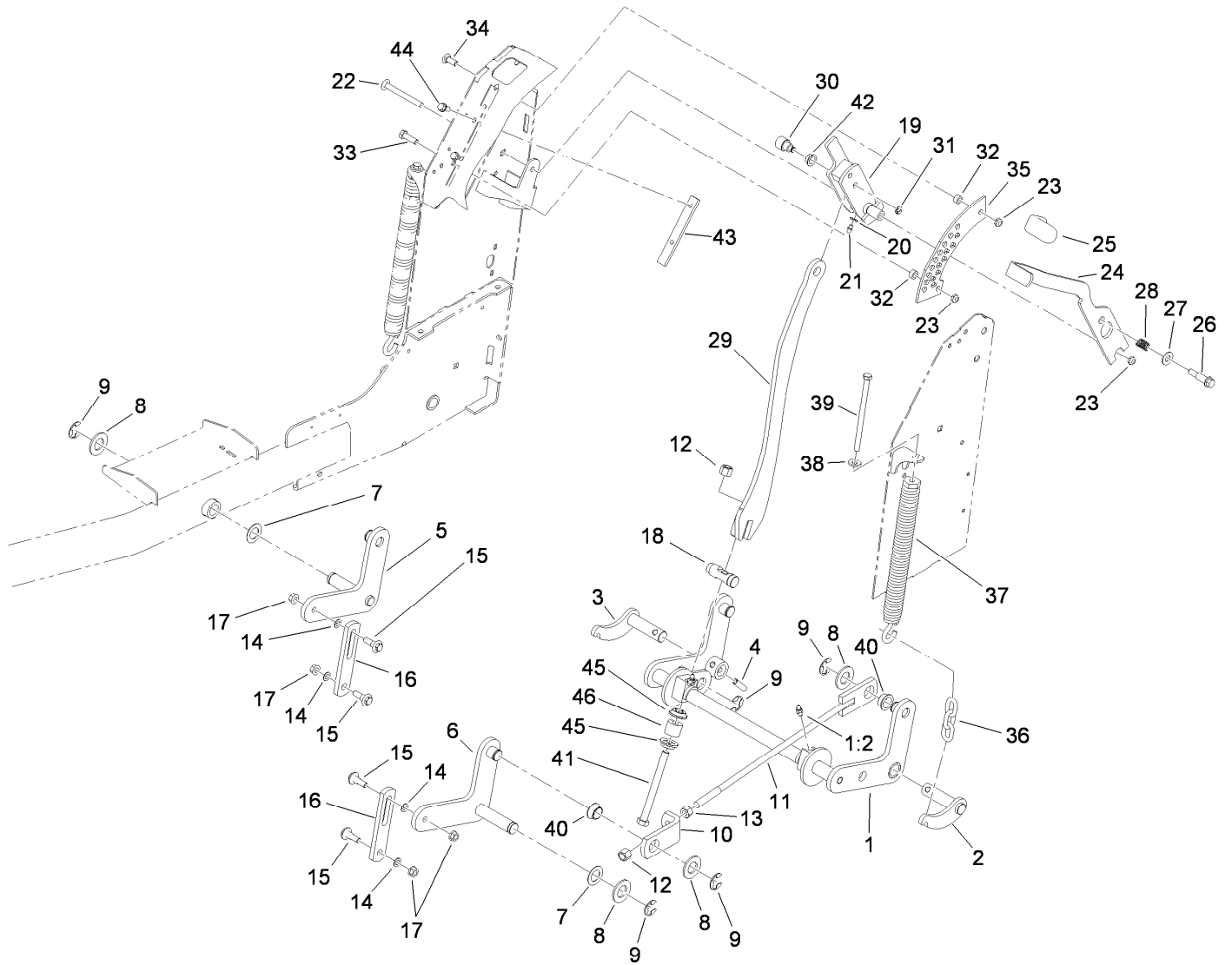
## Park Brake Assembly

<i>Ref.</i>	<i>Part Number</i>	<i>Qty.</i>	<i>Description</i>	<i>Ref.</i>	<i>Part Number</i>	<i>Qty.</i>	<i>Description</i>
1	117-2660-03	1	Brake ASM	13	63-7400	2	Washer-Rebound
2	114-5186-01	2	Support-Brake	14	106-3214	1	Mount-Pulley
3	614672	1	Bolt-Shoulder	16	117-5759-03	1	Lever-Brake
4	5-0652	1	Spacer	17	1-633268	1	Grip-Lever
5	3296-39	3	Nut-Lock, NI	18	3256-24	1	Washer-Flat
6	117-9684	1	Spacer	19	1-633131	1	Yoke-Linkage, Brake
7	323-14	1	Screw-HH	20	119-7244	1	Rod-Brake
8	117-9683	1	Spacer	21	3220-3	3	Nut-HJ
9	117-9682	1	Spring-Torsion	22	283-2	2	Pin-Clevis
10	1-373034	1	Washer	23	3290-307	2	Pin-Hair
11	117-0452-03	1	Plate-Switch, Brake	24	119-7242-03	1	Arm-Brake, Bottom
12	3231-44	1	Screw-CARR	25	119-7243-03	1	Arm-Brake, Top



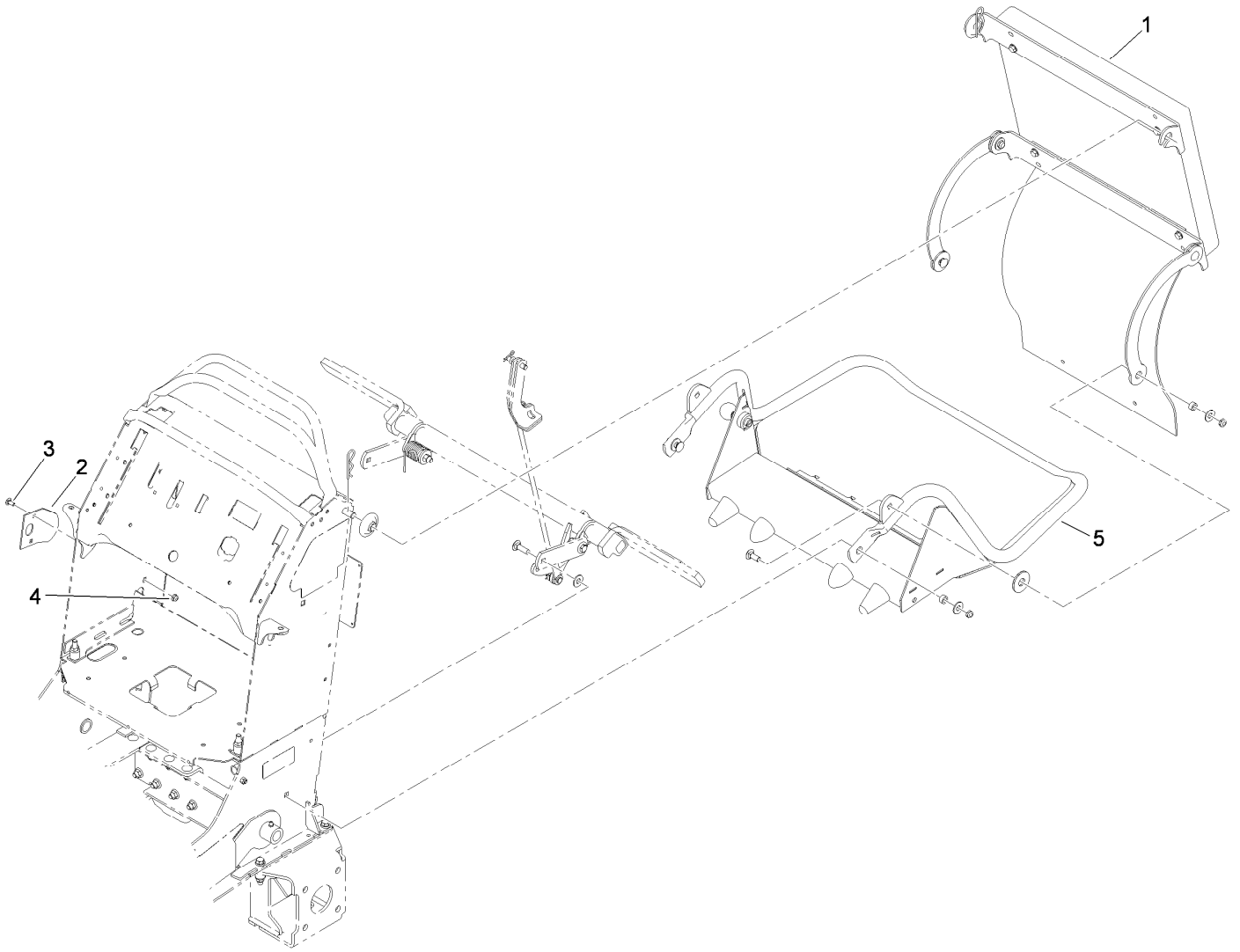
## Decklift Assembly

Ref.	Part Number	Qty.	Description	Ref.	Part Number	Qty.	Description
1	116-3103	1	Rear Crossshaft ASM	21	302-5	1	Fitting-Grease
1:2	302-11	2	Fitting-Lube, 45 DEG	22	3231-24	1	Screw-CARR
2	116-3104-01	1	LH Pivot Shaft ASM	23	3296-59	3	Nut-Lock, NI
3	116-3105-01	1	RH Pivot Shaft ASM	24	114-1878-03	1	Lever-HOC
4	116-3107	2	Pin-Spiral	25	1-633268	1	Grip-Lever
5	117-0489-01	1	RH Lift ASM	26	66-0561	1	Screw-Shoulder
6	117-0488-01	1	LH Lift ASM	27	3256-26	1	Washer-Flat
7	110-6767	2	Washer-Thrust	28	65-9940	1	Spring
8	3256-29	6	Washer-Flat	29	116-2939	1	Bar-Lift
9	32151-103	7	Ring-Retaining, EXT	30	116-3048	1	Hub-Pivot
10	116-2901	2	Bracket-Lift Rod	31	32151-47	1	Ring-Retaining
11	116-2902	2	Lift Rod ASM	32	111044	2	Spacer
12	3296-23	3	Nut-Lock, NI	33	323-7	1	Screw-HH
13	3217-9	2	Nut-HH	34	3231-22	1	Screw-CARR
14	40-1940	4	Washer	35	114-5307	1	Bracket-HOC
15	109-9840	4	Screw-Shoulder, HHF	36	103-9859	2	Chain-Decklift, Front
16	117-0519	2	Link-Lift	37	116-0886	2	Extension Spring ASM
17	32128-21	4	Nut-HF	38	98-5975	2	Washer-Belleville
18	114-5274	1	Pin-HOC	39	323-58	2	Bolt-TAP, HH
19	114-3512	1	HOC Handle ASM	40	116-2909	4	Bearing-Flange
20	3256-22	1	Washer-Flat	41	325-22	1	Screw-HH



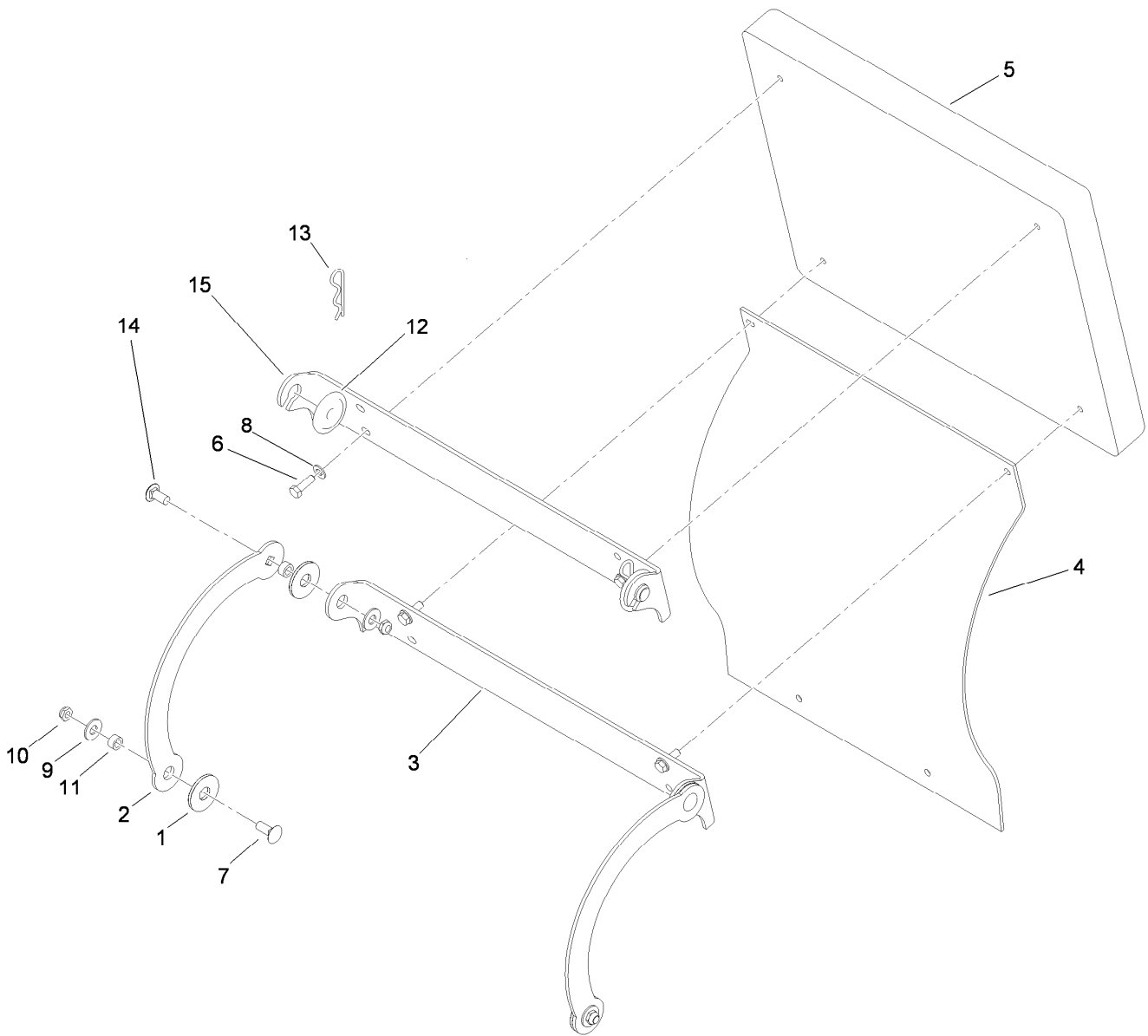
## Decklift Assembly (continued)

<i>Ref.</i>	<i>Part Number</i>	<i>Qty.</i>	<i>Description</i>	<i>Ref.</i>	<i>Part Number</i>	<i>Qty.</i>	<i>Description</i>
42	116-3047	1	Bearing-Flange	45	116-3240	2	Seat-Spring
43	116-3124	1	Skid-Handle, Lift	46	116-3241	1	Spring-Urethane
44	32144-11	2	Screw-HWHTF				



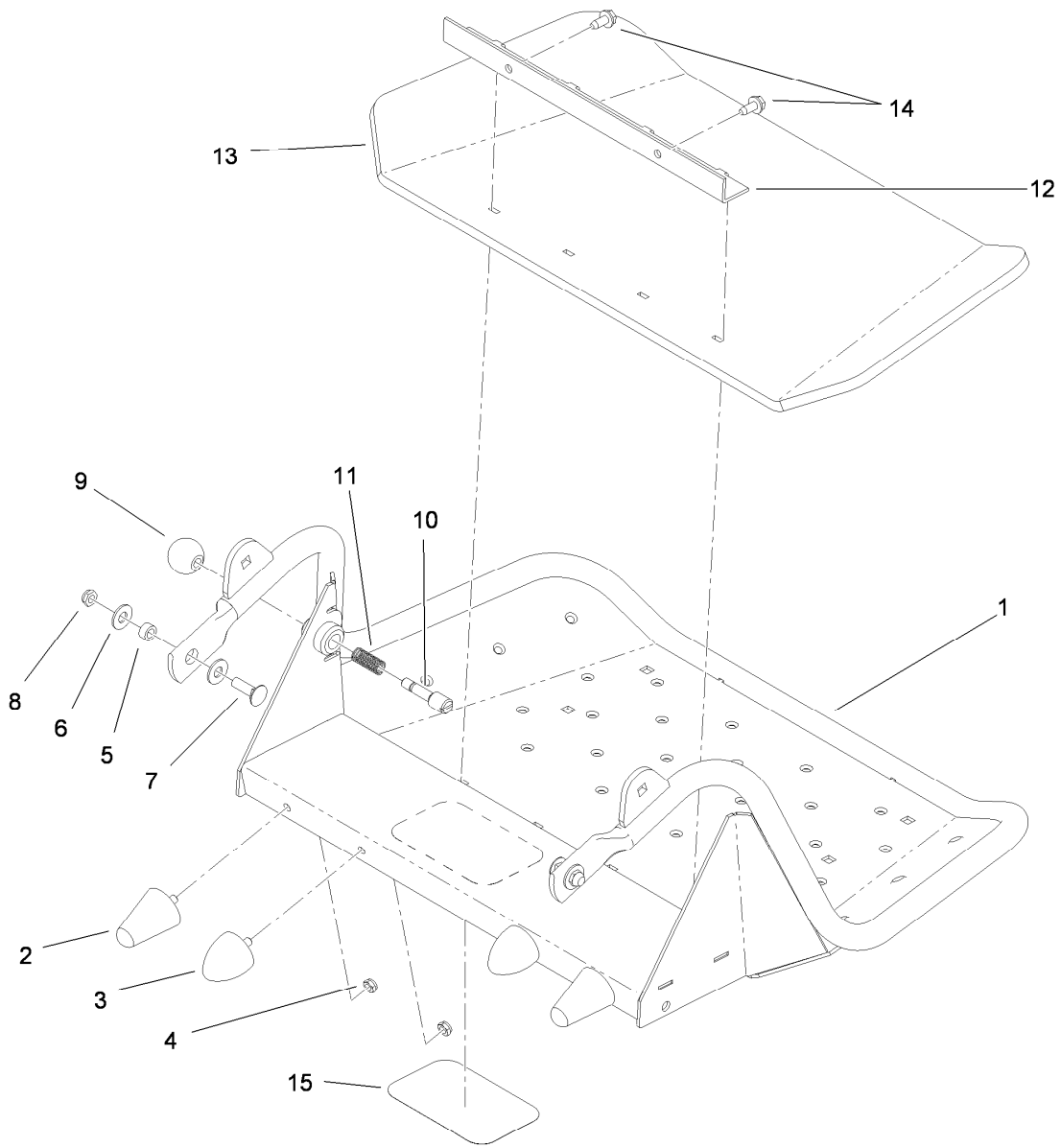
## Platform Assembly

<i>Ref.</i>	<i>Part Number</i>	<i>Qty.</i>	<i>Description</i>
1	117-9770	1	Cushion ASM
2	114-1924	1	Plate-Strike
3	3229-11	2	Screw-CARR
4	104-7201	2	Nut-HF
5	117-9640	1	Platform ASM



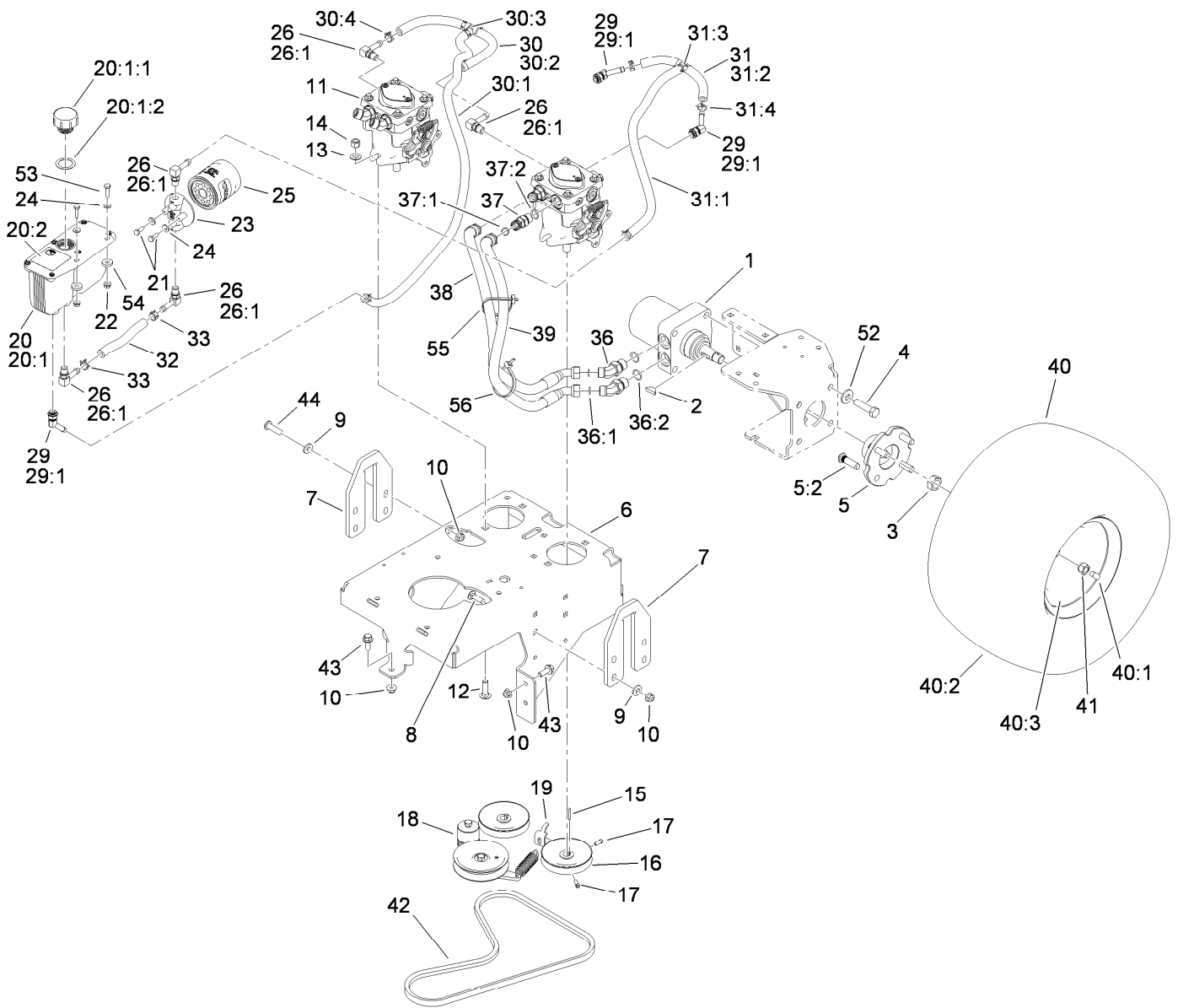
## Cushion Assembly No. 117-9770

Ref.	Part Number	Qty.	Description
1	114-0463	4	Washer-Friction, Composite
2	114-1915-01	2	Link-Pad
3	116-2061-03	1	Hinge-Pad
4	114-1919	1	Shield-Rear
5	117-9739	1	Pad-Cushion
6	322-5	4	Screw-HH
7	3231-2	2	Screw-CARR
8	3256-23	4	Washer-Flat
9	3256-4	8	Washer-Flat
10	3296-59	4	Nut-Lock, NI
11	111044	4	Spacer
12	116-2886	2	Slide-Bushing
13	3290-355	2	Pin-Hair
14	3231-27	2	Screw-CARR
15	116-2757-03	1	Hinge-Pad



## Platform Assembly No. 117-9640

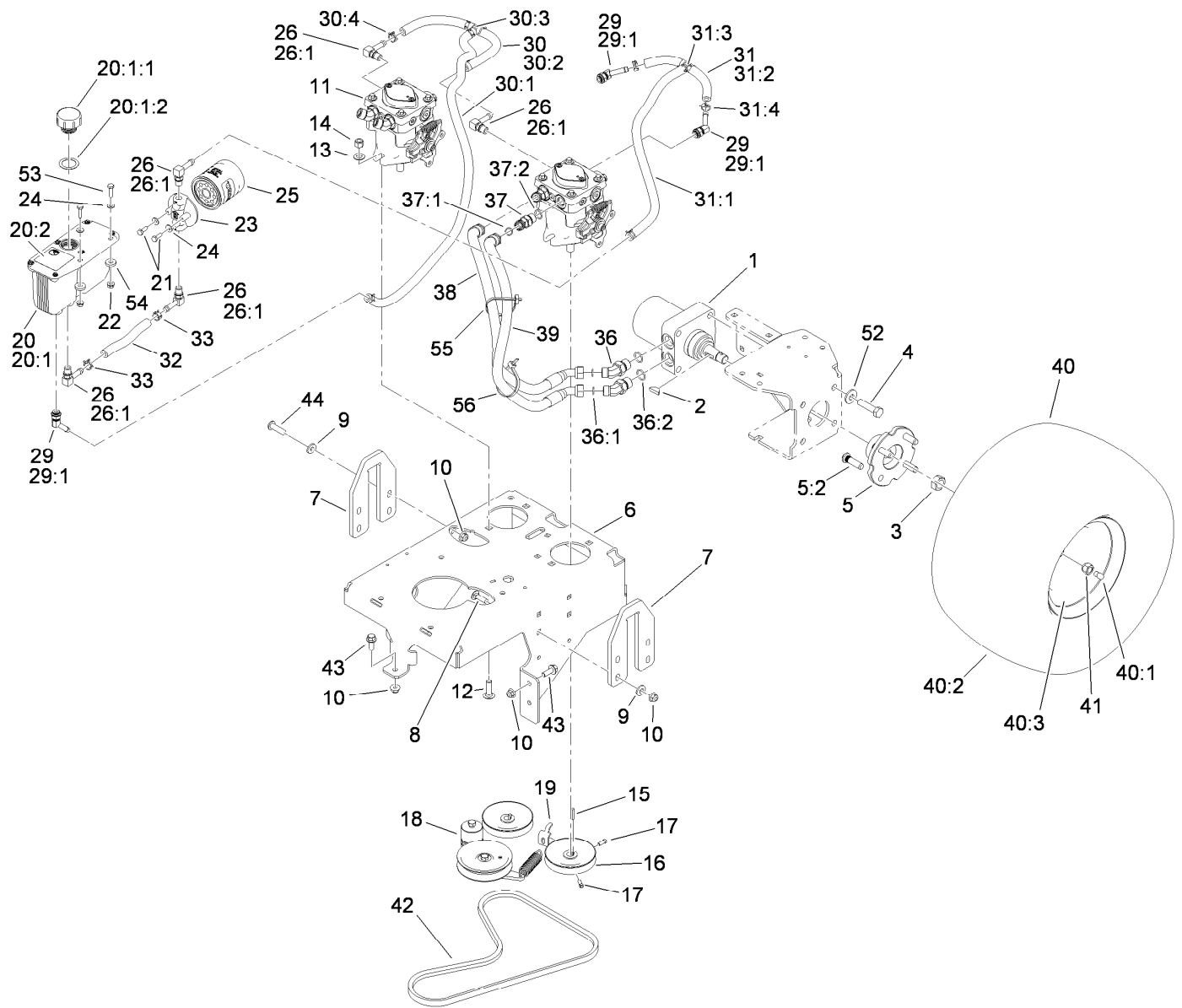
<i>Ref.</i>	<i>Part Number</i>	<i>Qty.</i>	<i>Description</i>
1	117-9641-01	1	Platform ASM
2	114-1925	2	Bumper-Rubber
3	114-1926	2	Bumper-Rubber
4	3296-47	4	Nut-Lock, NI
5	111044	2	Spacer
6	3256-4	4	Washer-Flat
7	3231-25	2	Screw-CARR
8	3296-59	2	Nut-Lock, NI
9	1-603175	1	Knob-Ball
10	114-5288	1	Pin-Latch
11	114-5348	1	Spring
12	114-1920-03	1	Clamp-Shield
13	114-5349	1	Mat-Foot
14	32144-70	2	Screw-HWHTF
15	68-3640	1	Decal



## Ground Drive Assembly

Ref.	Part Number	Qty.	Description	Ref.	Part Number	Qty.	Description
1	114-0549	2	HYD Motor ASM	19	117-0447-01	1	Bracket-Anchor, Spring
2	3257-8	2	Key-Woodruff	20	107-8433	1	HYD Reservoir ASM
3	85-7310	2	Nut-Motor, Wheel	20:1		1	Reservoir-HYD ●
4	325-8	8	Screw-HH	20:1:1	103-1948	1	Cap-Reservoir, HYD
5	105-0800	2	Wheel Hub ASM	20:1:2	103-1949	1	Gasket-Cap
5:2	10-6830	4	Stud-Type, Drive	20:2	115-4212	1	Decal-Warning
6	116-2660-01	1	Base-Engine	21	321-4	2	Screw-HH
7	119-8662	2	Plate-Lift	22	32128-32	2	Nut-HHF
8	3231-25	7	Screw-CARR	23	104-7836	1	Head-Filter
9	98-5975	8	Washer-Belleville	24	3256-22	4	Washer-Flat
10	104-8301	13	Nut-Flange, NI	25	114-3494	1	Element-Filter, 25 Micron
11	117-3597	2	HYD Pump ASM	26	100-4887	5	Fitting-Barbed, 90 DEG
12	3232-3	4	Screw-CARR	26:1	237-42	1	O-Ring
13	3256-25	4	Washer-Flat	29	103-1807	3	Fitting-Barbed, 45 DEG
14	3296-48	4	Nut-Lock, NI	29:1	237-42	1	O-Ring
15	1-807272	2	Key	30	117-3570	1	Tank Hose ASM
16	105-5648	2	Pulley-Pump	30:1	117-0461	1	Hose-Hydraulic
17	3241-5	4	Screw-Set	30:2	117-0459	2	Hose-Hydraulic
18		1	Pump Idler ASM ●	30:3	1-603721	2	Fitting-Tee, Hose

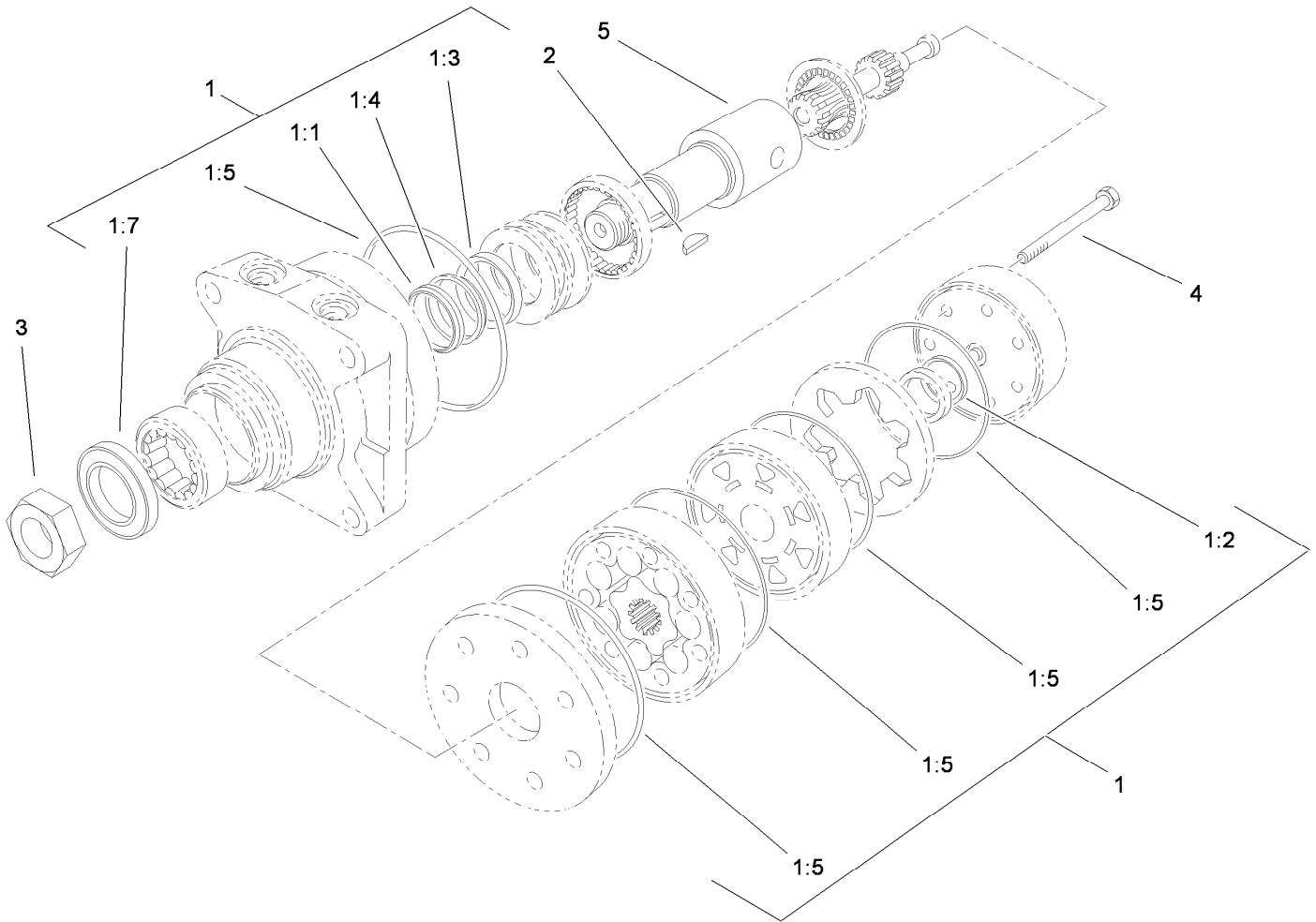
● Not serviced separately



## Ground Drive Assembly (continued)

Ref.	Part Number	Qty.	Description	Ref.	Part Number	Qty.	Description
30:4	103-1988	6	Clamp-Hose	39	117-0449	2	HYD Hose ASM
31	117-3569	1	Filter Hose ASM	40	117-0429	2	Wheel ASM
31:1	117-0460	1	Hose-Hydraulic	40:1	232-27	1	Stem-Valve
31:2	117-0458	2	Hose-Hydraulic	40:2	117-0428	1	Tire
31:3	1-603721	2	Fitting-Tee, Hose	40:3	106-8133	1	Rim-8 Inch
31:4	103-1988	6	Clamp-Hose	41	242-50	8	Nut-Lug
32	117-0459	1	Hose-Hydraulic	42	114567	1	Belt-V, Lower PTO
33	103-1988	2	Clamp-Hose	43	3234-42	5	Screw-HHF
36	340-89	4	Fitting-HYD, 45 DEG	44	3274-63	1	Screw-HSBH
36:1	237-30	1	O-Ring	52	1-513435	8	Washer-Spring
36:2	237-80	1	O-Ring	53	321-6	2	Screw-HH
37	340-101	4	Fitting-HYD, 45 DEG	54	104-7658	4	Spacer
37:1	237-30	1	O-Ring	55	1-643115	2	Tie-Plastic
37:2	237-79	1	O-Ring	56	103-2446	2	Tie-Plastic
38	117-0442	2	HYD Hose ASM				

● Not serviced separately

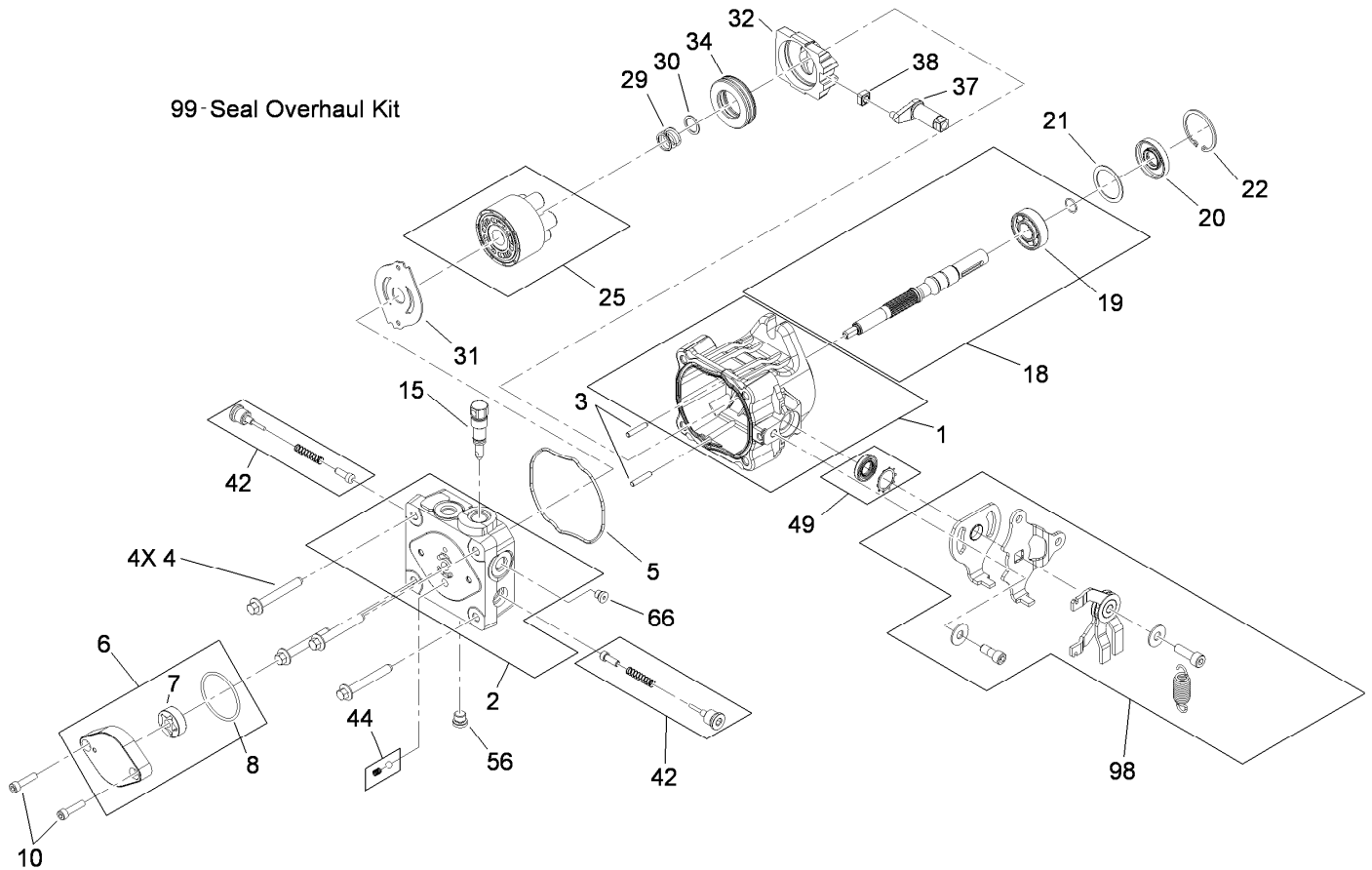


## Hydraulic Motor Assembly No. 114-0549

Ref.	Part Number	Qty.	Description
1	1-000119	1	Seal Kit
1:1		1	Ring-Back Up ●
1:2		1	Seal-Commutator ●
1:3		1	Seal-Shaft (Viton) ●
1:4		1	Washer-Back Up, Steel ●
1:5		5	Ring-Seal (Viton) ●
1:7		1	Seal-Dirt And Water ●
2	3257-8	1	Key-Woodruff
3	85-7310	1	Nut-Motor, Wheel
4	106-5549	6	Bolt-Special
5	106-8764	1	Shaft-Coupling

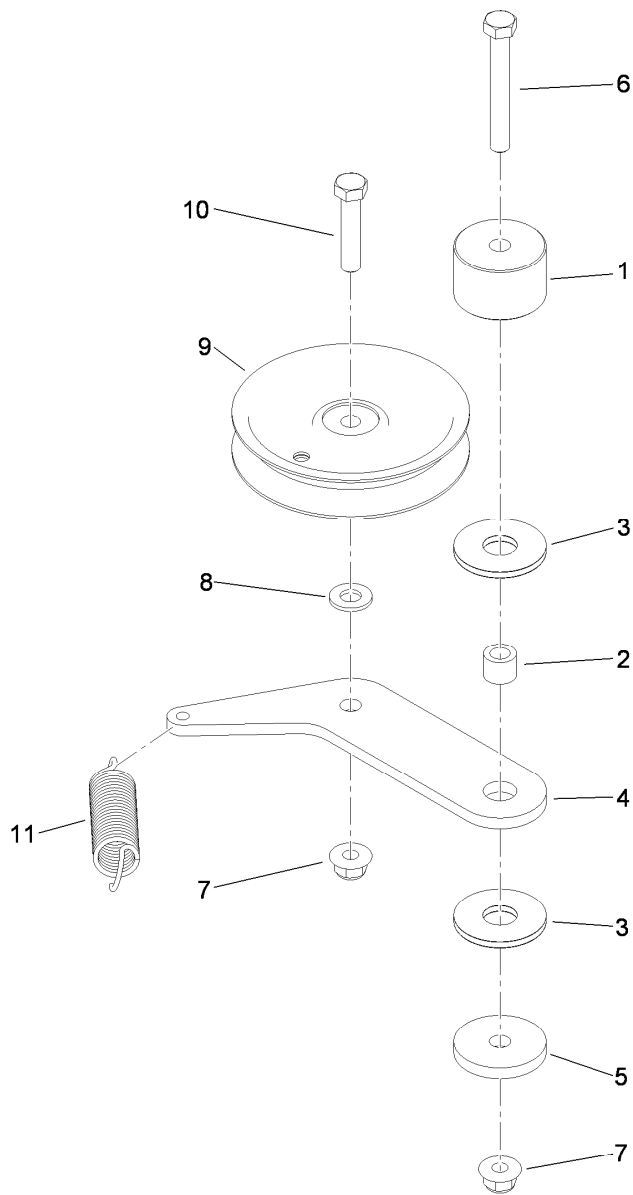
● Not serviced separately

99- Seal Overhaul Kit



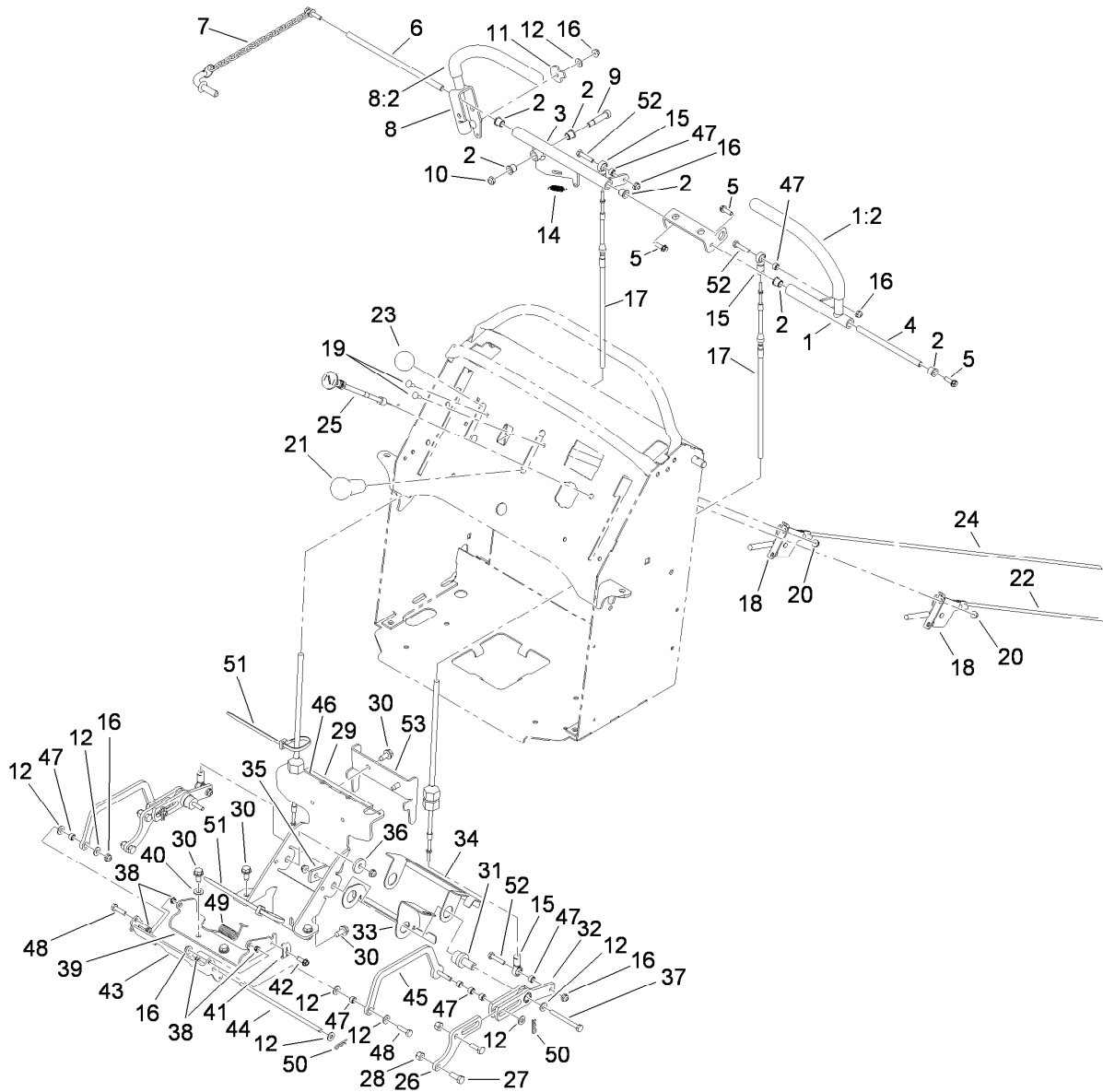
## Hydraulic Pump Assembly No. 117-3597

Ref.	Part Number	Qty.	Description	Ref.	Part Number	Qty.	Description
1	115-4464	1	Housing Kit	29	94-1936	1	Spring-Block
2	106-8752	1	End Cap Kit (W/Poppets)	30	94-1937	1	Washer-Thrust, Block
3	106-8753	2	Pin-Headless, Straight	31	105-6185	1	Plate-Valve
4	106-8754	4	Bolt-HF	32	94-1907	1	Swashplate-Variable
5	106-8755	1	O-Ring	34	94-6922	1	Bearing-Thrust
6	106-8756	1	Charge Pump Kit	37	115-4458	1	Arm-Trunnion, Tapered Square
7	104-2122	1	Gerotor ASM	38	94-1910	1	Guide-Slot
8	106-8757	1	O-Ring	42	98-3252	2	Valve-Check (W/Poppet)
10	104-2111	2	Capscrew	44	106-8760	1	Charge Relief Valve Kit
15	106-8759	1	Bypass Valve Kit	49	114-8155	1	Trunnion Seal Kit
18	103-2664	1	Input Shaft Kit	56	106-8762	1	Plug-HSH
19	104-5311	1	Bearing-Ball	66	106-8763	1	Plug-HSH
20	104-5310	1	Seal-Lip	98	117-3629	1	Kit-Return
21	104-5308	1	Spacer	99	105-6184	1	Seal Overhaul Kit
22	104-5309	1	Ring-Retaining				
25	103-2666	1	Cylinder Block Kit				



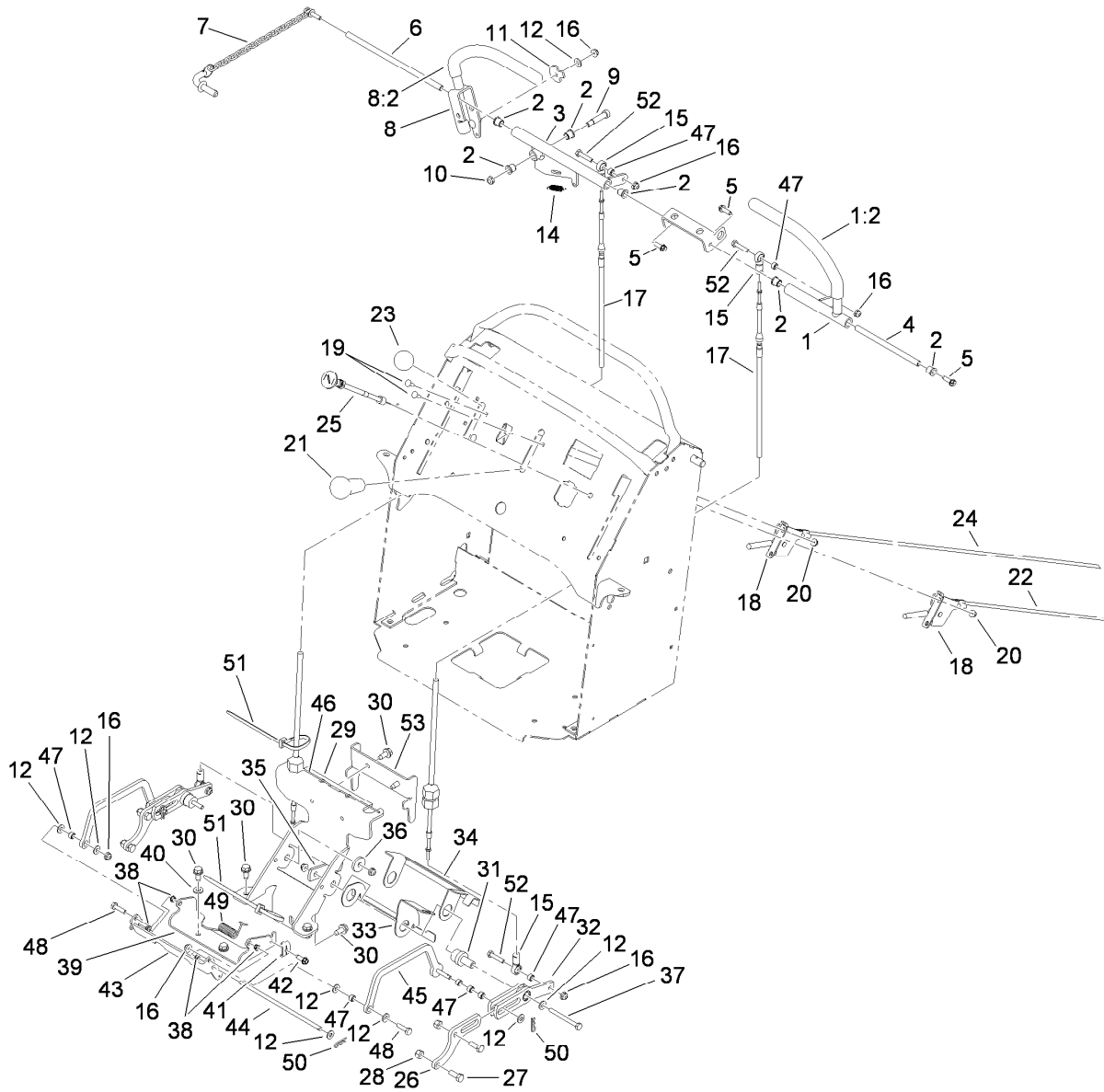
## Pump Idler Assembly

<i>Ref.</i>	<i>Part Number</i>	<i>Qty.</i>	<i>Description</i>
1	117-3568	1	Hub-Idler
2	1-413088	1	Bushing-Lever, Lift
3	114-0463	2	Washer-Friction, Composite
4	117-9707	1	Plate-Idler
5	110-9981	1	Washer-Plain
6	323-13	1	Screw-HH
7	104-8301	2	Nut-Flange, NI
8	3256-24	1	Washer-Flat
9	93-1622	1	Pulley-Idler
10	323-9	1	Screw-HH
11	108-4056	1	Spring-Extension



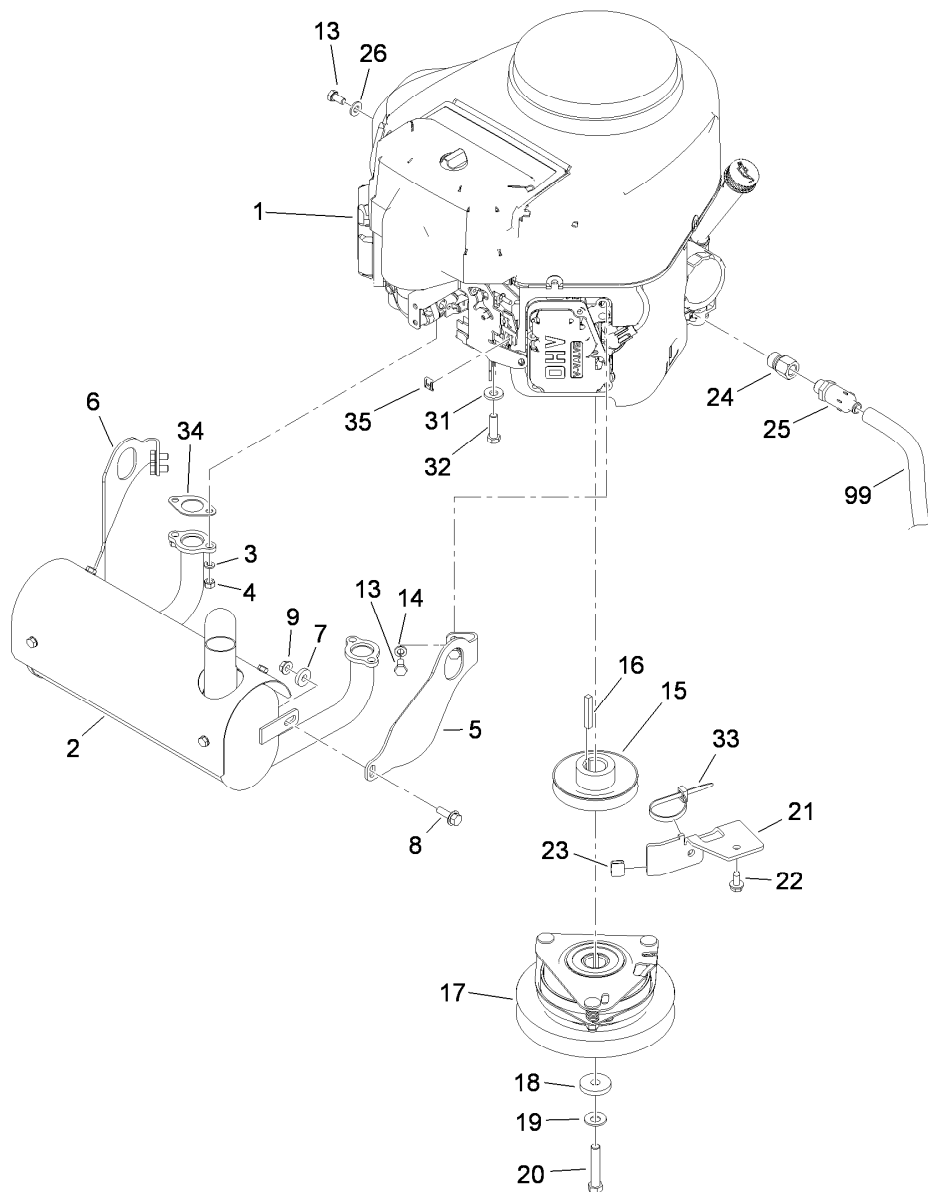
## Control Assembly

Ref.	Part Number	Qty.	Description	Ref.	Part Number	Qty.	Description
1	119-7235	1	LH Lever ASM	21	99-7981	1	Knob-Grip, Soft
1:2	119-0222	1	Grip	22	117-9706	1	Cable-Speed
2	103-9928	6	Bearing	23	1-603175	1	Knob-Ball
3	119-7236	1	Motion Control ASM	24	119-6654	1	Cable-Throttle
4	114-0260	1	Shaft-Pivot	25	119-6655	1	Control-Choke, Push/Pull
5	80-0700	3	Screw-HH, Torx	26	114-3547	2	Arm-Control
6	114-1904	1	Shaft-Pivot, Motion Control	27	322-4	4	Screw-HH
7	114-0409	1	HOC Pin ASM	28	3296-29	4	Nut-Lock, NI
8	119-1887	1	RH Motion Lever ASM	29	119-2380-01	1	Mount-Linkage, Drive
8:2	119-0222	1	Grip	30	32144-70	7	Screw-HWHTF
9	114-0239	1	Screw-HSH	31	119-2381	2	Hub-Shoulder
10	3296-47	1	Nut-Lock, NI	32	119-2409	2	Control Fork ASM
11	114-0268	1	Cam-Lever	33	114-1993	1	Lever-Switch
12	3256-22	11	Washer-Flat	34	119-2414	1	Lever-Switch
14	114-0249	1	Spring-Extension	35	114-5155-03	1	Arm-Switch, Stop
15	117-6222	4	Rod End-Ball Joint	36	65-8270	1	Washer
16	104-7201	9	Nut-HF	37	321-14	2	Screw-HH
17	117-0474	2	Cable-Control, Traction	38	119-2404	4	Bushing-Flange, Split
18	110-5547	2	Control Lever ASM	39	117-2681	1	Bracket-Shifter
19	1-807533	4	Bolt-CARR	40	3256-23	2	Washer-Flat
20	3290-148	4	Nut-HF	41	106-7297	1	Clamp-Cable



## Control Assembly (continued)

<i>Ref.</i>	<i>Part Number</i>	<i>Qty.</i>	<i>Description</i>	<i>Ref.</i>	<i>Part Number</i>	<i>Qty.</i>	<i>Description</i>
42	49-2040	1	Screw-HWHTF	48	321-6	2	Screw-HH
43	117-2680	1	Arm-Dual, Shifter	49	106-2584	1	Spring-Torsion
44	114-1978	1	Pin-Hinge	50	3290-307	6	Pin-Hair
45	119-2402	2	Speed Control Linkage ASM	51	3290-378	2	Tie-Cable
46	114-0433	1	Clip-Spring	52	321-8	4	Screw-HH
47	119-2408	12	Bushing-Roller	53	119-8764-01	1	Bracket-Protect, Cable

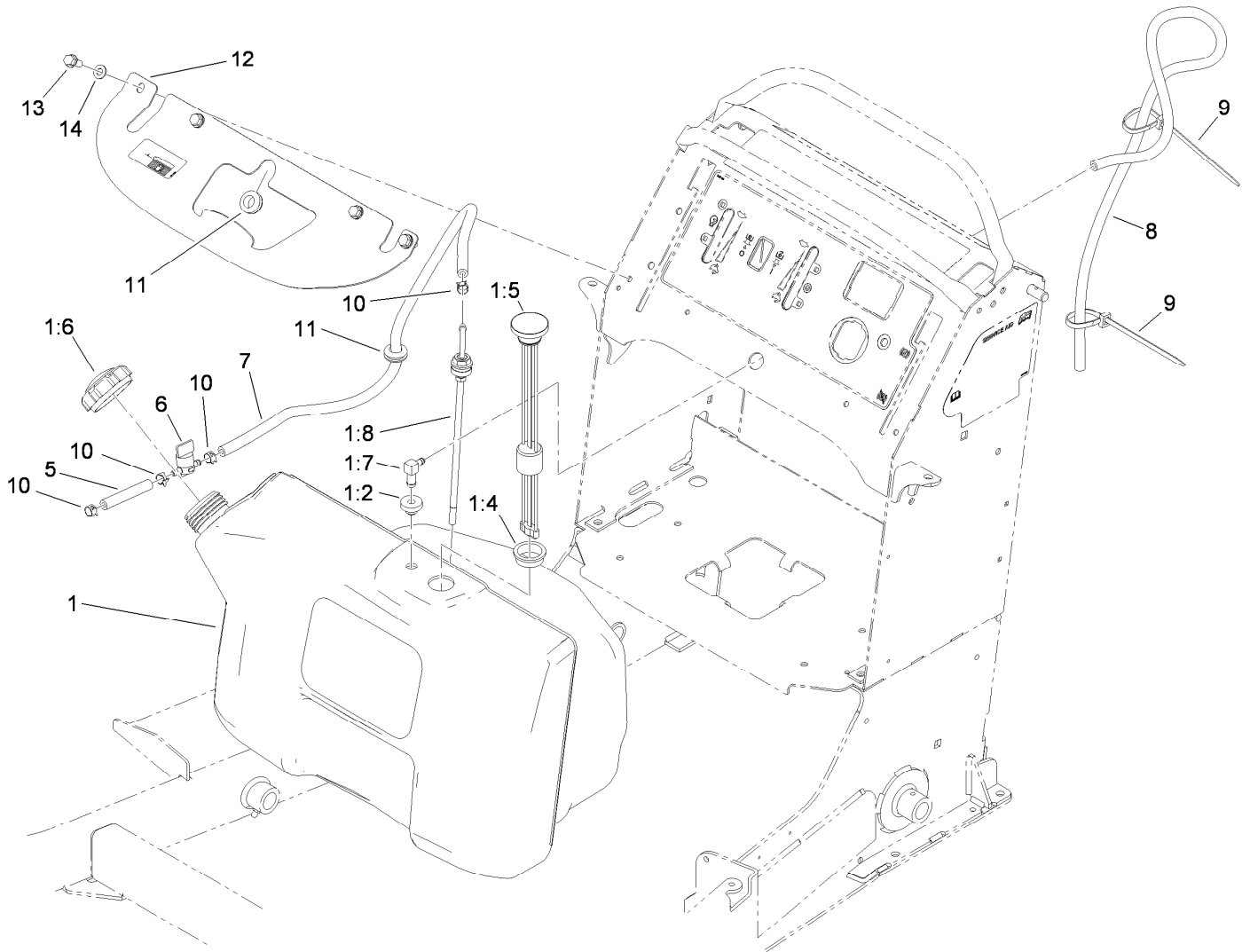


## Engine Assembly

Ref.	Part Number	Qty.	Description	Ref.	Part Number	Qty.	Description
1		1	Engine-Kawasaki, Fs691V-As06 ●■	18	107-4136	1	Washer
2	116-2352	1	Muffler	19	1-603610	1	Washer-Spring
3	114-3550	4	Washer-Lock, Spring	20	3212-9	1	Screw-HH
4	114-3549	4	Nut	21	117-9708-01	1	Bracket-Stop, PTO
5	116-2353	1	Bracket-Muffler Mount, LH	22	32144-70	1	Screw-HWHTF
6	116-2354	1	Bracket-Muffler Mount, RH	23	109-3765	1	Bumper
7	104-7658	2	Spacer	24	103-1966	1	Adapter
8	3234-29	2	Screw-HHF	25	92-6877	1	Valve-Drain, Oil
9	32128-25	2	Nut-HF	26	33094-00	1	Washer-Plain
13	33114-016	5	Screw-HH	31	98-5975	4	Washer-Belleville
14	3253-4	4	Washer-Lock	32	323-7	4	Screw-HH
15	112-7067	1	Pulley	33	3290-378	1	Tie-Cable
16	608006	1	Key-Square	34	1-653313	2	Gasket-Exhaust
17	105-2635	1	Clutch / Brake ASM	35	81-1690	1	Clamp-Cable
				99	103-1964	1	Hose-Drain, Oil

● Not serviced separately

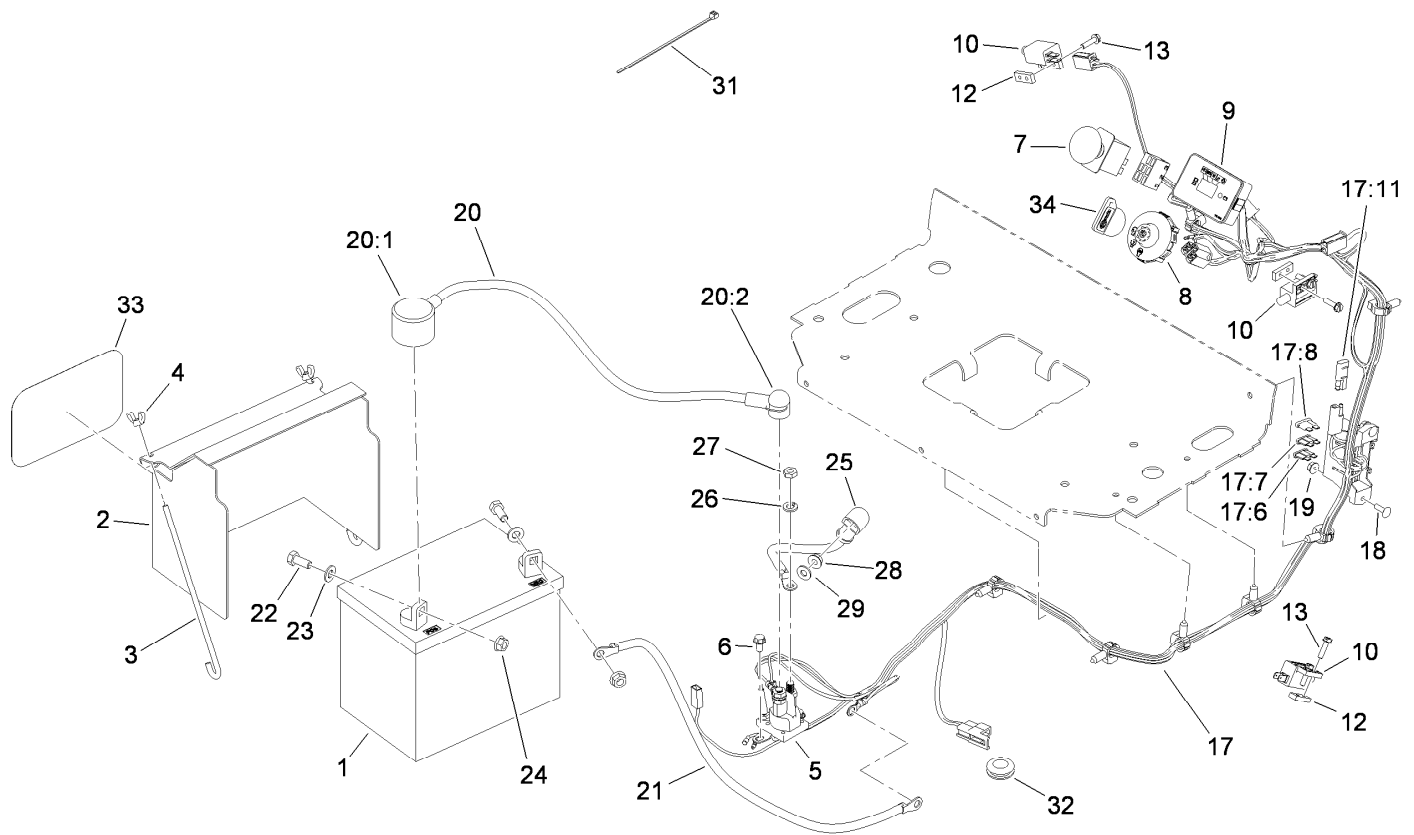
■ Obtain parts from [www.kawpowerepc.com](http://www.kawpowerepc.com)



## Fuel Tank Assembly

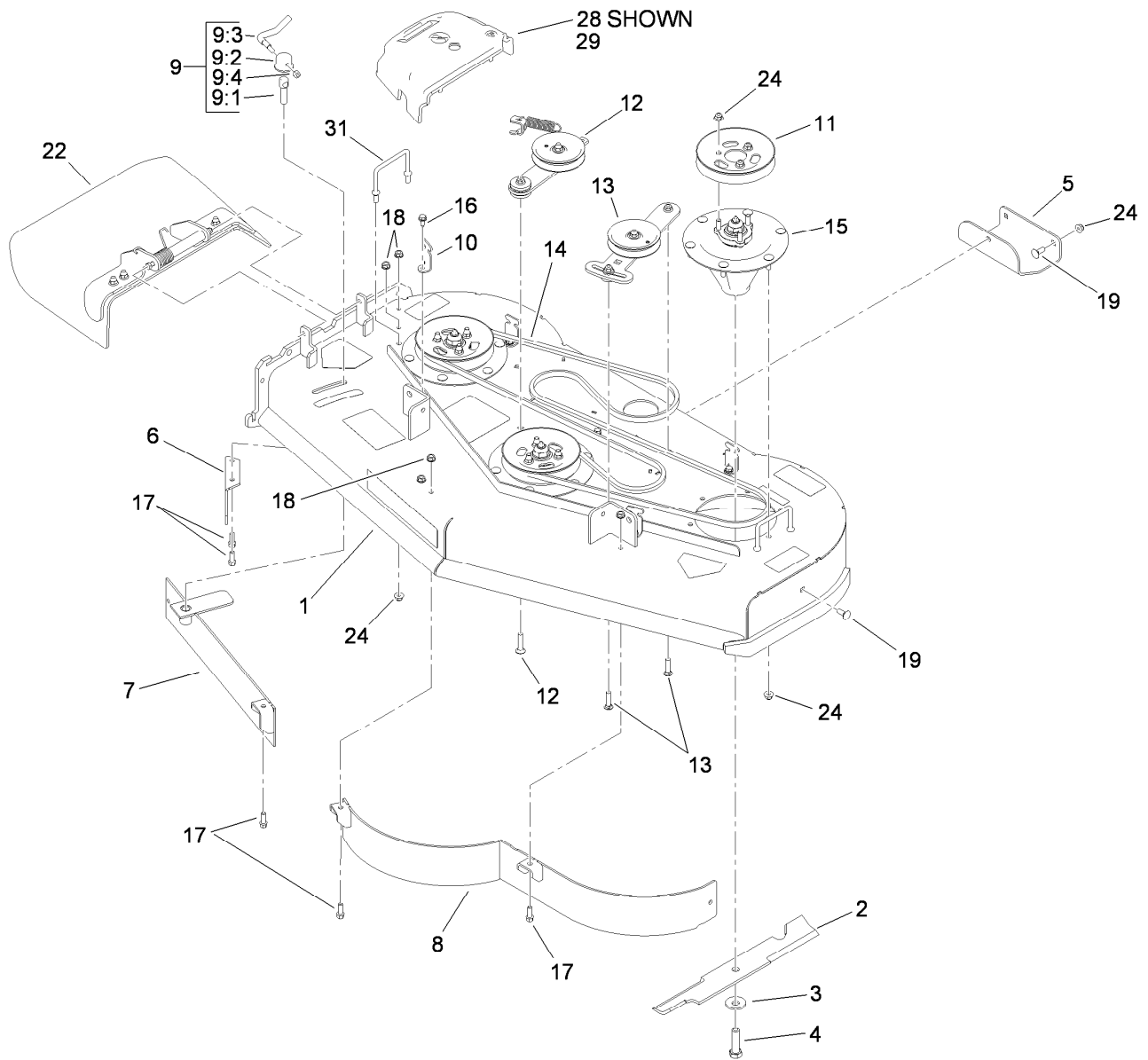
<i>Ref.</i>	<i>Part Number</i>	<i>Qty.</i>	<i>Description</i>
1	119-7295	1	Tank ASM
1:2	46-6560	1	Bushing
1:4	95-8972	1	Grommet
1:5	117-9719	1	Guage-Fuel
1:6	109-9619	1	Cap-Fuel
1:7	1-643172	1	Elbow-90 DEG
1:8	116-3408	1	Fitting-Fuel, Bulkhead
5	114-3765	1	Hose-Fuel
6	1-603770	1	Valve-Fuel

<i>Ref.</i>	<i>Part Number</i>	<i>Qty.</i>	<i>Description</i>
7	109-3491	1	Hose-Fuel
8	110-3372	1	Hose-Fuel
9	3290-378	2	Tie-Cable
10	2412-98	4	Clamp
11	112-7069	2	Grommet
12	116-3125	1	Bracket-Tank
13	32144-11	4	Screw-HWHTF
14	3256-70	4	Washer-Flat



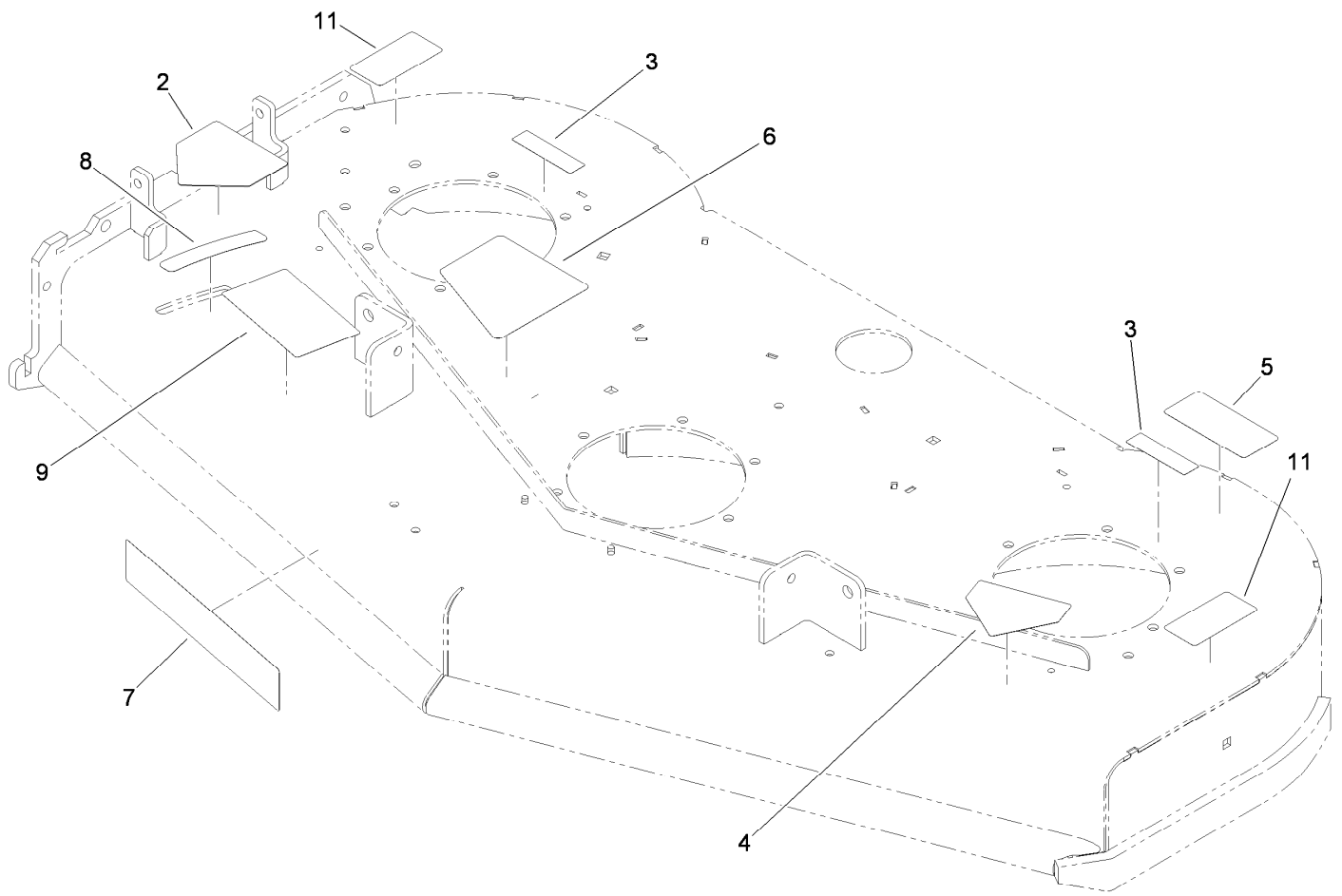
## Electrical Assembly

<i>Ref.</i>	<i>Part Number</i>	<i>Qty.</i>	<i>Description</i>	<i>Ref.</i>	<i>Part Number</i>	<i>Qty.</i>	<i>Description</i>
1	104-2491	1	Battery	19	3290-148	2	Nut-HF
2	117-0543-01	1	Cover-Battery	20	109-7653	1	Positive Battery Cable ASM
3	1-633651	2	Bolt-Holddown	20:1	109-2407	1	Insulator-Battery
4	1-543792	2	Wingnut	20:2	1-543393	1	Insulator-Solenoid
5	117-1197	1	Solenoid	21	105-0836	1	Cable-Battery, Black
6	32144-4	2	Screw-HWH	22	322-3	2	Screw-HH
7	114-0279	1	Switch-PTO	23	3256-23	2	Washer-Flat
8	110-6764	1	Switch-Ignition	24	109-5715	2	Nut-HHF, Smooth
9	115-4180	1	Module-Meter, Hour	25	106-8268	1	Cable-Battery, Red
10	1-513152	3	Switch-Closed, Normally	26	3253-4	2	Washer-Lock
12	1-633181	3	Plate-Tapped	27	3220-2	2	Nut-Jam
13	32105-13	6	Screw-HWH	28	32128-33	1	Nut-HF
17	116-2662	1	Harness-Wiring	29	3256-22	1	Washer-Flat
17:6	109103	1	Fuse-Blade, 30 Amp	31	1-303287	4	Tie-Cable
17:7	109102	1	Fuse-Blade, 25 Amp	32	112-7069	1	Grommet
17:8	218-578	1	Fuse-Blade, 10 Amp	33	68-3640	1	Decal
17:11	116-0053	1	Cap-Plug	34	63-8360	1	Key-Ignition
18	1-807533	2	Bolt-CARR				



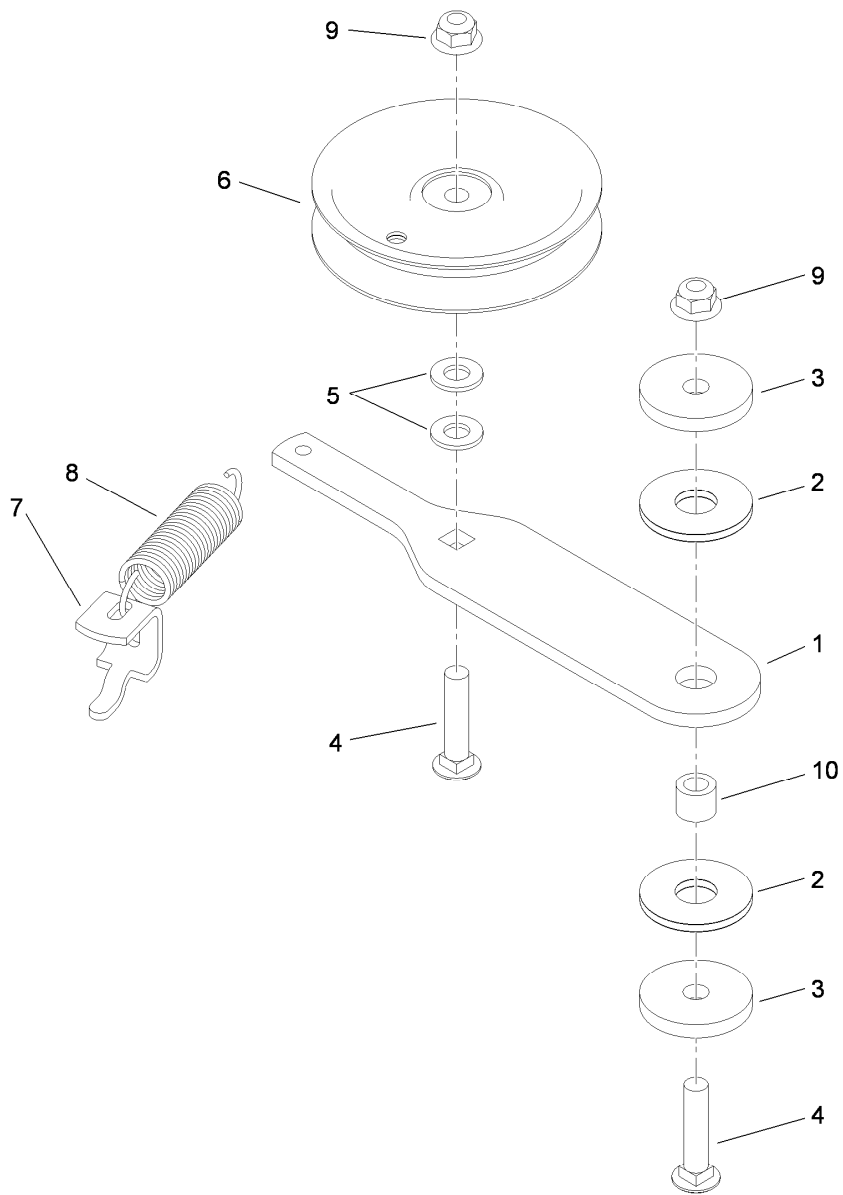
## Deck Assembly

Ref.	Part Number	Qty.	Description	Ref.	Part Number	Qty.	Description
1	117-5754	1	Deck ASM	11	105-7735	3	Pulley
2	105-7781-03	3	Blade-18 Inch (Hi Flow)	12	117-0445	1	Spring Idler ASM
3	103-0865	3	Washer-Blade Bolt, Heavy	13	117-0446	1	Idler Adjust ASM
4	51-4060	3	Screw-Blade	14	114-0454	1	Belt-V
5	114-1908-01	1	Skid	15	117-6158	3	Spindle ASM
6	106-3216-01	1	Baffle-Discharge	16	32144-70	4	Screw-HWHTF
7	114-1870-01	1	Baffle ASM	17	92-1624	5	Screw-HWH
8	114-1979-01	1	52 Inch Baffle ASM	18	3290-357	5	Nut-HHF, Whiz
9	107-1664	1	Lever ASM	19	3231-2	4	Screw-CARR
9:1	106-3239	1	Screw-Lock	22	114-1910	1	Deflector ASM
9:2	107-1644	1	Cap-Lock	24	104-8301	35	Nut-Flange, NI
9:3	106-3241	1	Lever-Lock	28	109-6935	1	Cover-Belt, RH
9:4	3296-29	1	Nut-Lock, NI	29	109-6936	1	Cover-Belt, LH
10	117-5758-03	4	Bracket-Cover	31	109-6982	2	Wireform-Cover



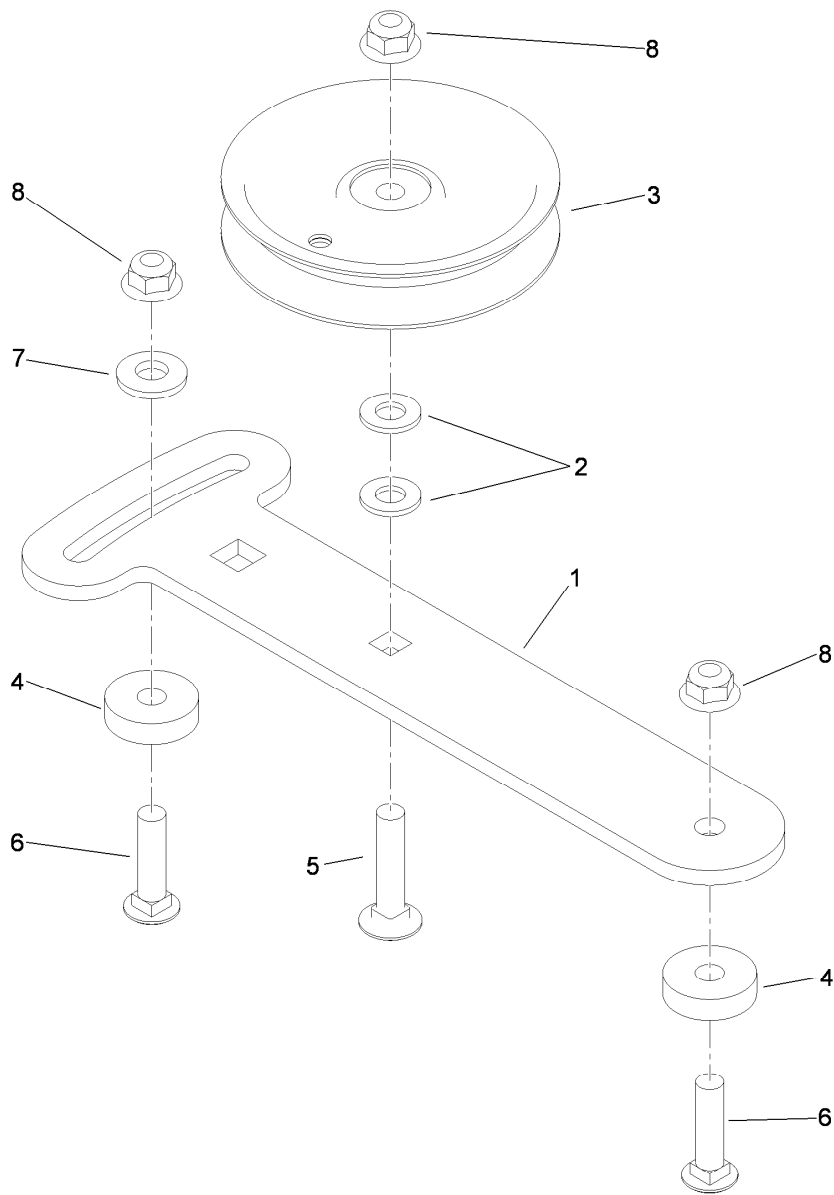
## Deck Assembly No. 117-5754

<i>Ref.</i>	<i>Part Number</i>	<i>Qty.</i>	<i>Description</i>
2	54-9220	1	Decal-Danger
3	98-5954	2	Decal-Cover, Missing
4	1-403005	1	Decal-Danger
5	68-8340	1	Decal-Torque
6	117-0486	1	Decal-Tension, Belt
7	107-1618	1	Decal
8	110-2067	1	Decal-Setting, Baffle
9	110-2068	1	Decal-Adjustment, Baffle
11	116-3076	2	Decal-Rotating Parts



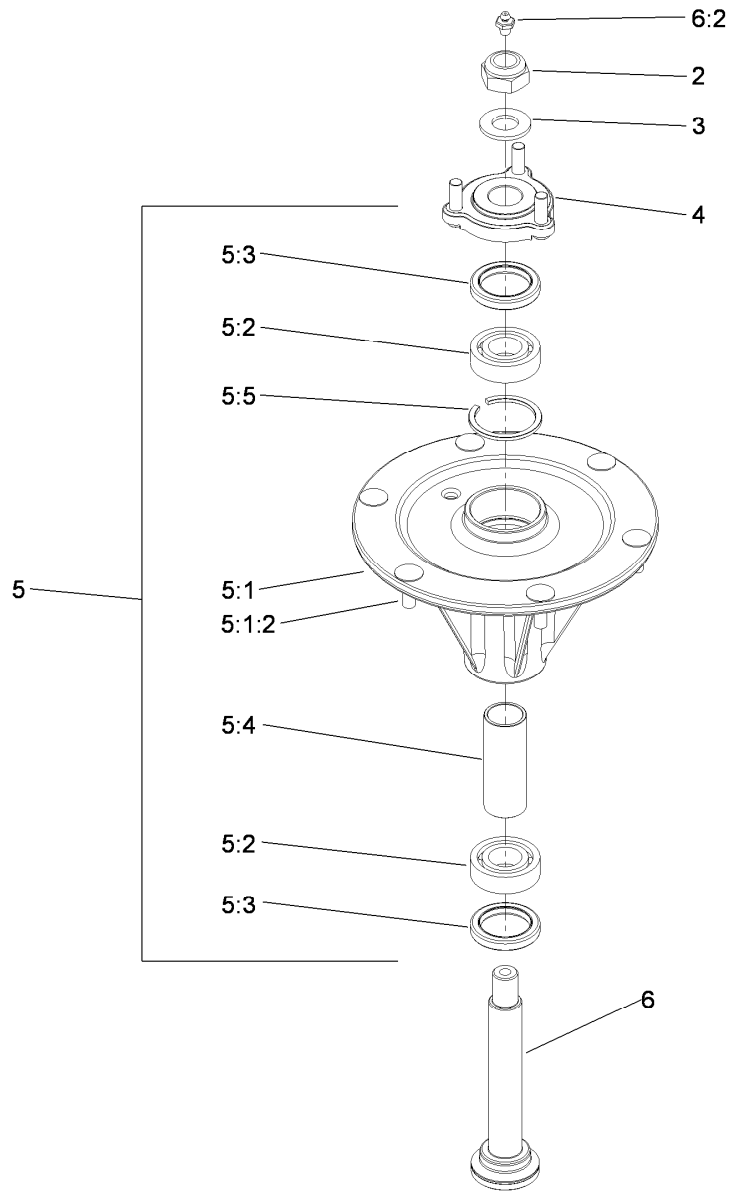
## Spring Idler Assembly No. 117-0445

Ref.	Part Number	Qty.	Description
1	114-1992	1	Plate-Idler
2	114-0463	2	Washer-Friction, Composite
3	110-9981	2	Washer-Plain
4	3231-5	2	Screw-CARR
5	3256-24	2	Washer-Flat
6	93-1622	1	Pulley-Idler
7	117-0447-01	1	Bracket-Anchor, Spring
8	108-4056	1	Spring-Extension
9	104-8301	2	Nut-Flange, NI
10	1-413088	1	Bushing-Lever, Lift



## Idler Adjust Assembly No. 117-0446

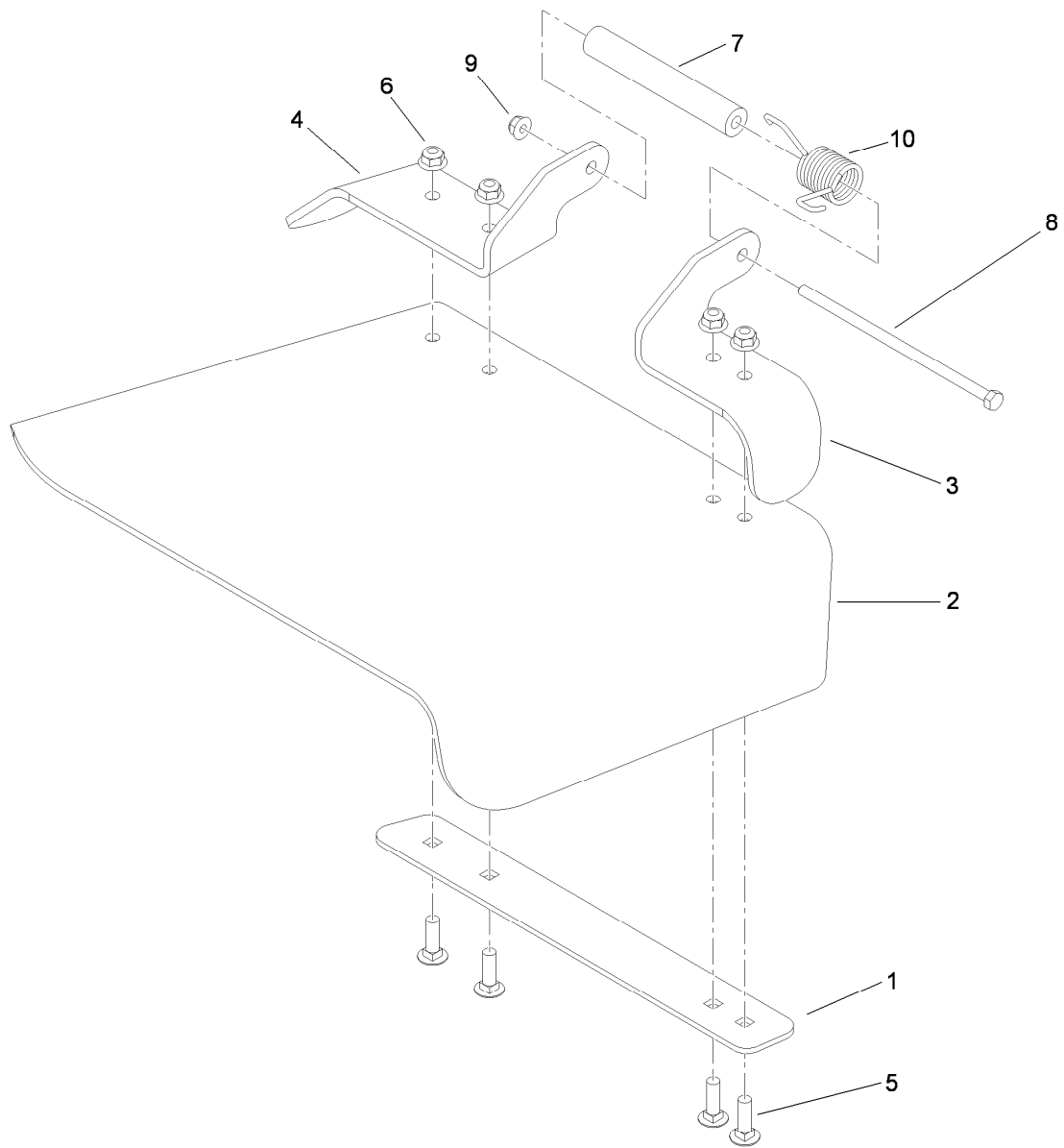
<i>Ref.</i>	<i>Part Number</i>	<i>Qty.</i>	<i>Description</i>
1	114-1991	1	Plate-Idler
2	3256-24	2	Washer-Flat
3	93-1622	1	Pulley-Idler
4	105-7788	2	Spacer
5	3231-5	1	Screw-CARR
6	3231-4	2	Screw-CARR
7	98-5975	1	Washer-Belleville
8	104-8301	3	Nut-Flange, NI



## Spindle Assembly No. 117-6158

Ref.	Part Number	Qty.	Description
2	3296-67	1	Nut-Lock, NI
3	92-5836	1	Washer
4	117-6172	1	Spindle Hub ASM (W/Studs)
5	117-6157	1	Spindle Housing And Ball Bearing ASM
5:1		1	Spindle Housing And Studs ASM ●
5:1:2	114-8195	6	Bolt-Ribbed Neck
5:2	76-7500	2	Bearing-Ball
5:3	253-133	2	Seal-Oil
5:4	117-6184	1	Spacer
5:5	114-8161	1	Ring-Snap
6	119-1851	1	Spindle Shaft And Zerk ASM
6:2	302-2	1	Fitting-Grease

● Not serviced separately



## Deflector Assembly No. 114-1910

<i>Ref.</i>	<i>Part Number</i>	<i>Qty.</i>	<i>Description</i>
1	106-3248-03	1	Strap-Discharge
2	110-0759	1	Deflector-Rubber
3	108-7766-03	1	Bracket-Hinge, Front
4	108-7767-03	1	Bracket-Hinge, Rear
5	3231-25	4	Screw-CARR
6	104-8301	4	Nut-Flange, NI
7	105-4622	1	Spacer
8	322-50	1	Screw-HH
9	104-8300	1	Nut-Flange, NI
10	108-4052	1	Spring-Torsion

**Notes:**

**Notes:**

**Notes:**



**Count on it.**