



Count on it.

Operator's Manual

**Greensmaster® 1000 and 1600
Walk-Behind Mower**

Model No. 04052—Serial No. 311000001 and Up

Model No. 04060—Serial No. 311000001 and Up

This product complies with all relevant European directives, for details please see the separate product specific Declaration of Conformity (DOC) sheet.



Figure 1

1. Safety alert symbol.

<p style="text-align: center;">WARNING</p> <p style="text-align: center;">CALIFORNIA Proposition 65 Warning</p> <p style="text-align: center;">The engine exhaust from this product contains chemicals known to the State of California to cause cancer, birth defects, or other reproductive harm.</p>
--

This manual uses two other words to highlight information. **Important** calls attention to special mechanical information and **Note** emphasizes general information worthy of special attention.

This spark ignition system complies with Canadian ICES-002.

Introduction

This machine is a walk behind, reel-blade lawnmower intended to be used by professional, hired operators in commercial applications. It is primarily designed for cutting grass on well-maintained lawns in parks, golf courses, sports fields, and on commercial grounds. It is not designed for cutting brush, mowing grass and other growth alongside highways, or for agricultural uses.

Read this information carefully to learn how to operate and maintain your product properly and to avoid injury and product damage. You are responsible for operating the product properly and safely.

You may contact Toro directly at www.Toro.com for product and accessory information, help finding a dealer, or to register your product.

Whenever you need service, genuine Toro parts, or additional information, contact an Authorized Service Dealer or Toro Customer Service and have the model and serial numbers of your product ready. The model and serial numbers are located on a plate on the rear frame. Write the numbers in the space provided.

Model No. _____
Serial No. _____

This manual identifies potential hazards and has safety messages identified by the safety alert symbol (Figure 1), which signals a hazard that may cause serious injury or death if you do not follow the recommended precautions.

Contents

Introduction.....	2
Safety	4
Safe Operating Practices	4
Toro Mower Safety	5
Sound Power Level (Model 04052)	6
Sound Power Level (Model 04060)	6
Sound Pressure Level	6
Vibration Level	6
Safety and Instructional Decals	7
Setup.....	9
1 Installing and Adjusting the Handle	9
2 Installing the Kickstand (Model 04060 Only).....	10
3 Installing the Transport Wheels	10
4 Adjusting the Cutting Unit	11
5 Installing the Grass Basket	11
Product Overview	12
Controls	12
Specifications	13
Attachments/Accessories.....	13
Operation.....	14
Think Safety First	14
Checking the Engine Oil Level.....	14
Filling the Fuel Tank.....	14
Checking the Interlock Switch Operation	15
Starting and Stopping the Engine	15
Driving the Machine in Transport	16
Preparing to Mow.....	16
Mowing.....	16
Operating Tips	16
Maintenance.....	17
Recommended Maintenance Schedule(s)	17
Daily Maintenance Checklist.....	18
Lubrication.....	19
Greasing the Machine	19
Engine Maintenance.....	20
Servicing the Engine Oil.....	20
Servicing the Air Cleaner	21
Replacing the Spark Plug	21
Fuel System Maintenance	22
Cleaning the Fuel Filter.....	22
Electrical System Maintenance.....	23
Servicing the Interlock Switch	23
Brake Maintenance	23
Adjusting the Service/Parking Brake.....	23
Belt Maintenance.....	24
Adjusting the Belts	24
Replacing the Differential Belt	26
Controls System Maintenance.....	27
Adjusting the Traction Control	27
Cutting Unit Maintenance.....	27

Leveling the Rear Drum to the Reel.....	27
Adjusting the Bedknife to the Reel	28
Adjusting the Height of Cut	28
Adjusting the Grass Shield Height.....	29
Adjusting the Cut-Off Bar	30
Bedbar Identification.....	30
Setting the Machine to Match Turf Conditions	31
Servicing the Bedbar.....	32
Backlapping the Reel	32
Storage.....	33

Safety

This machine meets or exceeds CEN standard EN 836:1997, ISO standard 5395:1990, and ANSI B71.4-2004 specifications in effect at the time of production when the Operator Presence Kit, Part No. 105-5363 is installed.

Improper use or maintenance by the operator or owner can result in injury. To reduce the potential for injury, comply with these safety instructions and always pay attention to the safety alert symbol, which means **Caution, Warning, or Danger**—personal safety instruction. Failure to comply with the instruction may result in personal injury or death.

Safe Operating Practices

The following instructions are from the CEN standard EN 836:1997, ISO standard 5395:1990, and ANSI B71.4-2004.

Training

- Read the Operator's Manual and other training material carefully. Be familiar with the controls, safety signs, and the proper use of the equipment.
- If the operator or mechanic can not read the language of the *Operator's Manual* it is the owner's responsibility to explain this material to them.
- Never allow children or people unfamiliar with these instructions to use or service the mower. Local regulations may restrict the age of the operator.
- Never mow while people, especially children, or pets are nearby.
- Keep in mind that the operator or user is responsible for accidents or hazards occurring to other people or their property.
- The owner/user can prevent and is responsible for accidents or injuries occurring to himself or herself, other people, or property.
- All operators or mechanics must be trained. It is the owner's responsibility for training users.

Preparation

- While mowing, always wear substantial footwear, long trousers, hard hat, safety glasses, and hearing protection. Long hair, loose clothing, or jewelry may get tangled in moving parts. Do not operate the equipment when barefoot or wearing open sandals.
- Thoroughly inspect the area where the equipment is to be used and remove all objects which may be thrown by the machine.

- **Warning**—Fuel is highly flammable. Take the following precautions:
 - Store fuel in containers specifically designed for this purpose.
 - Refuel outdoors only and do not smoke while refuelling.
 - Add fuel before starting the engine. Never remove the cap of the fuel tank or add fuel while the engine is running or when the engine is hot.
 - If fuel is spilled, do not attempt to start the engine but move the machine away from the area of spillage and avoid creating any source of ignition until fuel vapors have dissipated.
 - Replace all fuel tanks and container caps securely.
- Replace faulty silencers.
- Evaluate the terrain to determine what accessories and attachments are needed to properly and safely perform the job. Only use accessories and attachments approved by the manufacturer.
- Check that operator's presence controls, safety switches and shields are attached and functioning properly. Do not operate unless they are functioning properly.

Operation

- Do not operate the engine in a confined space where dangerous carbon monoxide fumes can collect.
- Mow only in daylight or in good artificial light.
- Before attempting to start the engine, disengage all blade attachment clutches, shift into neutral, and engage the parking brake.
- Stay alert for holes in the terrain and other hidden hazards.
- Watch out for traffic when crossing or near roadways.
- Stop the blades rotating before crossing surfaces other than grass.
- When using any attachments, never direct discharge of material toward bystanders nor allow anyone near the machine while in operation.
- Never operate the machine with damaged guards, shields, or without safety protective devices in place. Be sure all interlocks are attached, adjusted properly, and functioning properly.
- Do not change the engine governor settings or overspeed the engine. Operating the engine at excessive speed may increase the hazard of personal injury.

- Before leaving the operator's position:
 - stop on level ground;
 - disengage the cutting unit and traction drive;
 - set the parking brake;
 - stop the engine.
- Disengage drive to attachments when transporting or not in use.
- Stop the engine and disengage drive to attachment:
 - before refuelling;
 - before removing the grass catcher;
 - before making height adjustment unless adjustment can be made from the operator's position.
 - before clearing blockages;
 - before checking, cleaning or working on the mower;
 - after striking a foreign object or if an abnormal vibration occurs. Inspect the mower for damage and make repairs before restarting and operating the equipment.
- Reduce the throttle setting before stopping engine and, if the engine is provided with a fuel shut-off valve, turn the valve off at the conclusion of mowing.
- Keep hands and feet away from the cutting unit.
- Slow down and use caution when making turns and crossing roads and sidewalks. Stop reels if not mowing.
- Do not operate the mower under the influence of alcohol or drugs
- Lightning can cause severe injury or death. If lightning is seen or thunder is heard in the area, do not operate the machine; seek shelter.
- Use care when loading or unloading the machine into a trailer or truck
- Use care when approaching blind corners, shrubs, trees, or other objects that may obscure vision.
- Check the grass catcher frequently for wear or deterioration.
- Keep all parts in good working condition and all hardware and hydraulic fittings tightened. Replace all worn or damaged parts and decals.
- If the fuel tank has to be drained, do this outdoors.
- Be careful during adjustment of the machine to prevent entrapment of the fingers between moving blades and fixed parts of the machine.
- Disengage drives, disengage the cutting unit, set parking brake, stop engine and disconnect spark plug wire. Wait for all movement to stop before adjusting, cleaning or repairing.
- Clean grass and debris from cutting unit, drives, mufflers, and engine to help prevent fires. Clean up oil or fuel spillage.
- Carefully release pressure from components with stored energy.
- Remove the spark plug wire before making any repairs.
- Use care when checking the reel. Wear gloves and use caution when servicing them.
- Keep hands and feet away from moving parts. If possible, do not make adjustments with the engine running.

Maintenance and Storage

- Keep all nuts, bolts and screws tight to be sure the equipment is in safe working condition.
- Never store the equipment with fuel in the tank inside a building where fumes may reach an open flame or spark.
- Allow the engine to cool before storing in any enclosure.
- To reduce the fire hazard, keep the engine, silencer, battery compartment and fuel storage area free of grass, leaves, or excessive grease.

Toro Mower Safety

The following list contains safety information specific to Toro products or other safety information that you must know that is not included in the CEN, ISO, or ANSI standard.

This product is capable of amputating hands and feet and throwing objects. Always follow all safety instructions to avoid serious injury or death.

Use of this product for purposes other than its intended use could prove dangerous to user and bystanders.

- Know how to stop the engine quickly.
- Do not operate the machine while wearing tennis shoes or sneakers.
- Wearing safety shoes and long pants is advisable and required by some local ordinances and insurance regulations.
- Handle gasoline carefully. Wipe up any spills.
- Check the safety interlock switches daily for proper operation. If a switch should fail, replace the switch before operating the machine.
- Using the machine demands attention. To prevent loss of control:

- Do not drive close to sand traps, ditches, creeks, or other hazards.
 - Reduce speed when making sharp turns. Avoid sudden stops and starts.
 - When near or crossing roads, always yield the right-of-way.
 - Apply the service brakes when going downhill to keep forward speed slow and to maintain control of the machine.
- The grass basket must be in place during the mowing operation for maximum safety. Shut the engine off before emptying the basket.
 - Do not touch the engine, muffler, or exhaust pipe while the engine is running or soon after it has stopped because these areas could be hot enough to cause burns.
 - When a person or pet appears unexpectedly in or near the mowing area, **stop mowing**. Careless operation, combined with terrain angles, ricochets, or improperly positioned guards can lead to thrown object injuries. Do not resume mowing until the area is cleared.

Maintenance and Storage

- Check all fuel lines for tightness and wear on a regular basis. Tighten or repair them as needed.
- If the engine must be running to perform a maintenance adjustment, keep hands, feet, clothing, and any parts of the body away from the cutting unit, attachments, and any moving parts. Keep everyone away.
- To ensure safety and accuracy, have an Authorized Toro Distributor check the maximum engine speed with a tachometer. Maximum governed engine speed should be 3600 ± 100 RPM.
- If major repairs are ever needed or if assistance is desired, contact an Authorized Toro Distributor.
- Use only Toro-approved attachments and replacement parts. The warranty may be voided if used with unapproved attachments.

Sound Power Level (Model 04052)

This unit has a guaranteed sound power level of 94 dBA, which includes an Uncertainty Value (K) of 1 dBA.

Sound power level was determined according to the procedures outlined in ISO 11094.

Sound Power Level (Model 04060)

This unit has a guaranteed sound power level of 96 dBA, which includes an Uncertainty Value (K) of 1 dBA.

Sound power level was determined according to the procedures outlined in ISO 11094.

Sound Pressure Level

This unit has a sound pressure level at the operator's ear of 86 dBA, which includes an Uncertainty Value (K) of 1 dBA.

Sound pressure level was determined according to the procedures outlined in EN 836.

Vibration Level

Hand-Arm

Measured vibration level for right hand = 2.43 m/s^2

Measured vibration level for left hand = 2.89 m/s^2

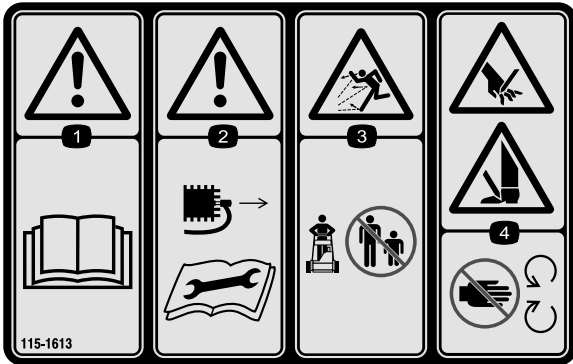
Uncertainty Value (K) = 0.5 m/s^2

Measured values were determined according to the procedures outlined in EN 836.

Safety and Instructional Decals

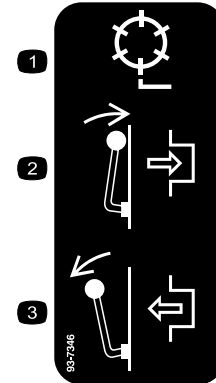


Safety decals and instructions are easily visible to the operator and are located near any area of potential danger. Replace any decal that is damaged or lost.



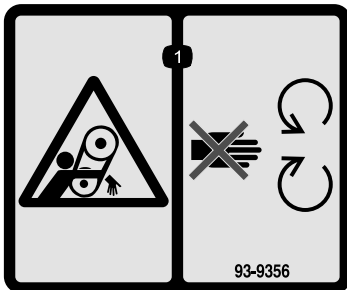
115-1613

1. Warning—read the *Operator's Manual*.
2. Warning—remove the spark plug wire before performing any maintenance on the machine.
3. Thrown object hazard—keep bystanders a safe distance from the machine.
4. Cutting, dismemberment hazard of hand or foot—stay away from moving parts.



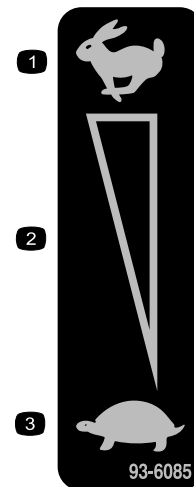
93-7346

1. Reel drive
2. Engage
3. Disengage



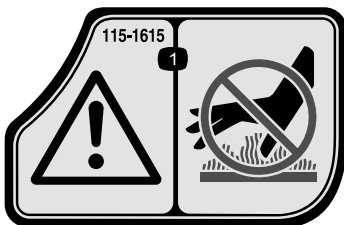
93-9356

1. Entanglement hazard—stay away from moving parts.



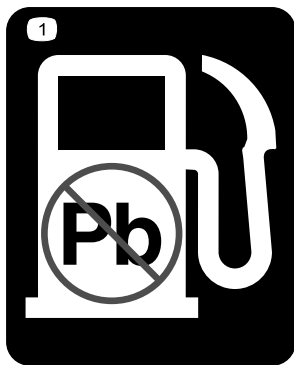
93-6085

1. Fast
2. Continuous variable setting
3. Slow



115-1615

1. Warning—do not touch the hot surface.



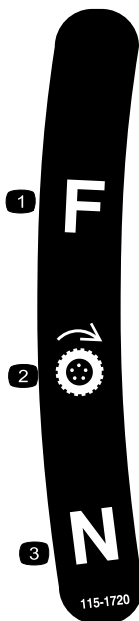
93-9886

1. Use unleaded gasoline.



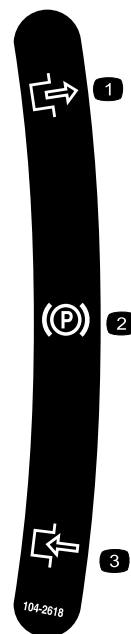
115-1614

1. Warning—read the *Operator's Manual*.
2. Warning—do not operate the machine unless you are trained.
3. Thrown object hazard—keep bystanders a safe distance from the machine.
4. Warning—stay away from moving parts; keep all guards in place.



115-1720

1. Forward
2. Drive wheel
3. Neutral



104-2618

1. Parking brake
2. Disengage
3. Engage

Setup

Loose Parts

Use the chart below to verify that all parts have been shipped.

Procedure	Description	Qty.	Use
1	Handle	1	Install the handle.
	Cable tie	2	
2	Kickstand assembly	1	Install the kickstand (model 04060 only).
	Spring	1	
3	Wheel shaft, right	1	Install the transport wheels.
	Wheel shaft, left	1	
	Transport wheels (obtain separately)	2	
4	No parts required	–	Adjust the cutting unit.
5	Grass basket	1	Install the grass basket.

Media and Additional Parts

Description	Qty.	Use
Operator's Manual	1	Read or view before operating the machine
Engine Operator's Manual	1	
Parts Catalog	1	
Operator Training Material	1	
Certificate of Compliance	1	

Note: Determine the left and right sides of the machine from the normal operating position.

1

Installing and Adjusting the Handle

Parts needed for this procedure:

1	Handle
2	Cable tie

Installing the Handle

1. Remove the bolt, washer, and lockwasher from the mounting pin on each side of the mower (Figure 2).

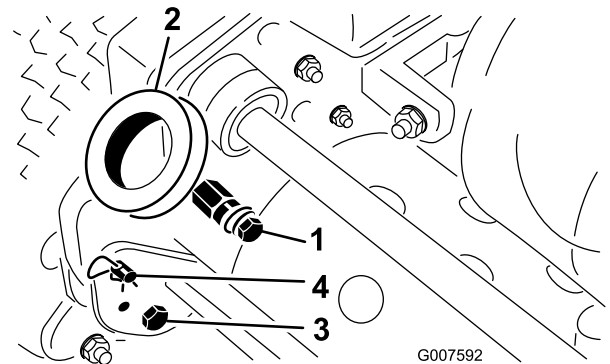


Figure 2

- | | |
|------------------|--------------------------------|
| 1. Mounting pins | 3. Bolt and locknut |
| 2. Handle arms | 4. Hairpin cotter and ring pin |

- Remove the bolts and locknuts securing the bottom of the handle arms to each side of the mower (Figure 2).
- Remove the hairpin cotters and ring pins securing the handle arms to the rear of the frame (Figure 2).
- Insert the handle ends thru the holes in the handle arms and align the holes with the mounting pins (Figure 2).

- Squeeze the handle ends inward and install them on the mounting pins (Figure 3).

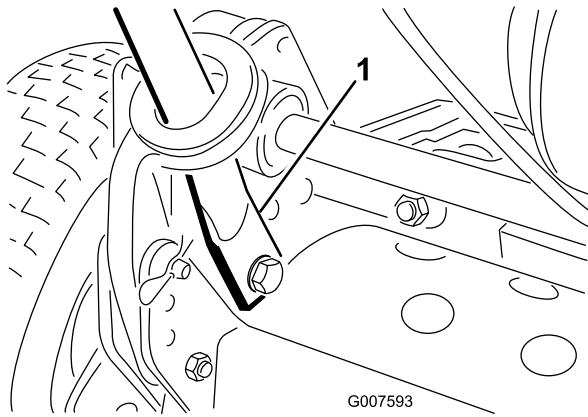


Figure 3

- Handle end

- Secure the handle ends to the mounting pins with the bolts, washers, and lockwashers previously removed (Figure 3).
- Secure the bottom of handle arms to each side of the mower with the bolts and locknuts previously removed (Figure 3). Ensure that you install the bushings in the handle arm mounting holes.
- Secure the handle arms to the rear of the frame with the hairpin cotters and ring pins previously removed (Figure 3).
- Secure the cables to the handle with cable ties (Figure 4).

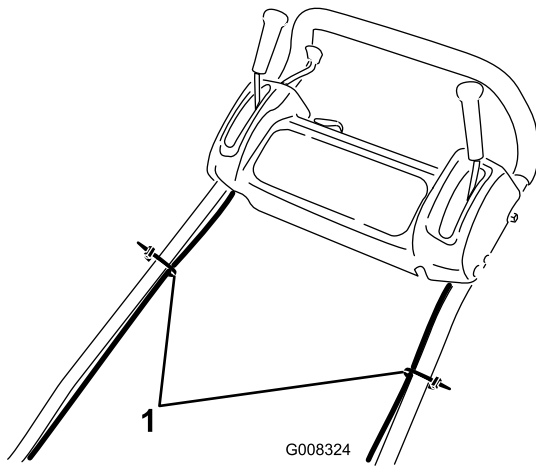


Figure 4

- Cable tie

Adjusting the Handle

- Remove the hairpin cotters from the ring pins on each side of the mower (Figure 2).

- While supporting the handle, remove the ring pins from each side and raise or lower the handle to the desired operating position (Figure 2).
- Install the ring pins and hairpin cotters.

2

Installing the Kickstand (Model 04060 Only)

Parts needed for this procedure:

1	Kickstand assembly
1	Spring

Procedure

Note: The fasteners are shipped loosely installed on the kickstand assembly.

- Hook spring into hole in spring bracket and onto spring retainer while aligning kick stand with mounting holes in rear frame (Figure 5).

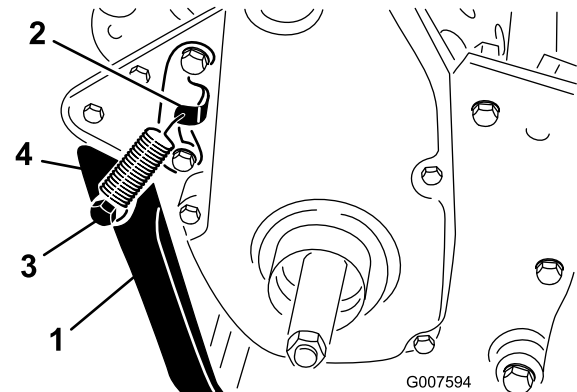


Figure 5

- Kick stand
- Spring bracket
- Spring retainer
- Spring

- Mount the kick stand to each side of the frame with a bolt, lockwasher, spacer, flat washer and locknut (Figure 5). Position the spacer in the kick stand mounting hole.

3

Installing the Transport Wheels

Parts needed for this procedure:

1	Wheel shaft, right
1	Wheel shaft, left
2	Transport wheels (obtain separately)

Procedure

1. Push the kick stand down with your foot and pull up on the handle to support the mower on the kick stand.
2. Apply #242 Loctite to the threads of the wheel shafts.
3. Thread the right wheel shaft into the drive pulley on the right side of the machine (Figure 6).

Note: The right wheel shaft has **left hand threads**.

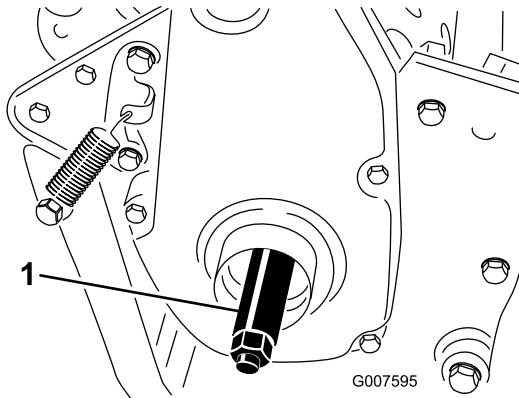


Figure 6

1. Right wheel shaft

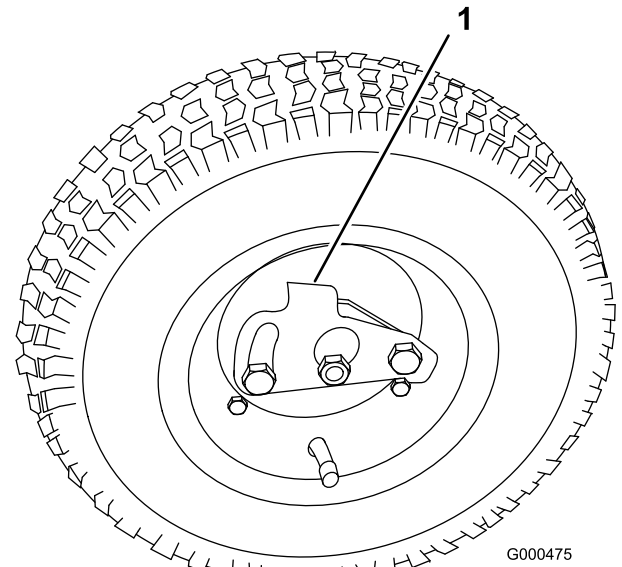


Figure 7

1. Locking clip
7. Rotate wheel back and forth until it slides completely onto axle and locking clip is secured in groove on axle shaft.
8. Repeat procedure on opposite side of machine.
9. Inflate the tires to 12 to 15 psi. (574 to 718 Pa).

4

Adjusting the Cutting Unit

No Parts Required

Procedure

Before operating the machine, complete the following adjustments:

- Level the rear drum to the reel.
- Adjust the bedknife to the reel.
- Adjust the height-of-cut.
- Adjust the grass shield height
- Adjust the cut-off bar.

Refer to the Cutting Unit Maintenance section in Maintenance for instructions on performing these procedures.

5

Installing the Grass Basket

Parts needed for this procedure:

1	Grass basket
---	--------------

Procedure

Grasp basket by top lip and slide it onto the basket mounting rods (Figure 8).

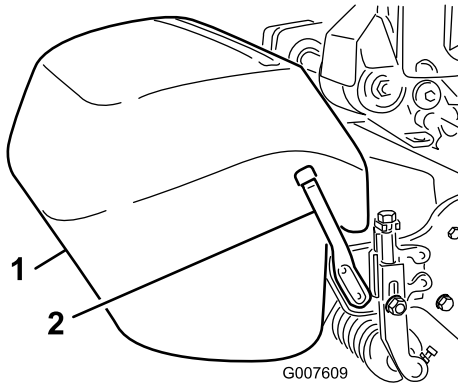


Figure 8

1. Grass basket
2. Basket mounting rod

Note: Model 04060 only—When cutting in higher heights-of-cut, the basket may be lowered by removing each basket mounting rod and installing each on the opposite side of the machine.

Product Overview

Controls

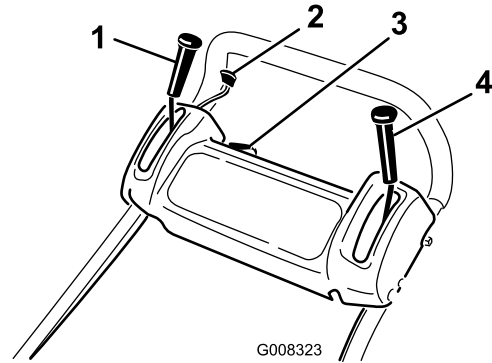


Figure 9

1. Traction drive lever
2. Throttle control
3. On/off switch
4. Service/parking brake

Throttle Control

The throttle control (Figure 9) is located on rear right side of the control panel. The lever connects to and operates throttle linkage to the carburetor. The engine speed can be varied from 1600 to 3600 RPM.

Traction Drive Lever

The traction drive lever (Figure 9) is located on the front right side of the control panel. It has two positions: Neutral and Forward. Pushing the lever forward engages the traction drive.

Service/Parking Brake

The service/parking brake (Figure 9) is located on left front side of control panel. You can use the brake to slow or stop the machine. Pulling the lever back over center will set the parking brake. You must release the brake before traction drive is engaged.

On/Off Switch

The on/off switch (Figure 9) is located on the top of the control panel. Move switch to the On position to start the engine and the Off position to stop the engine.

Operator Presence Control (Optional)

If equipped, the operator presence control (Figure 9) is located on the rear of the handle. Push the operator presence control against the handle. If equipped, the operator presence control must be engaged before moving the traction drive lever or the engine will stop.

Reel Drive Lever

The reel drive lever (Figure 10) is located on the right front corner of the machine. The lever has two positions: Engage and Disengage. Pull up on the lever to engage the reel or push it down to disengage the reel.

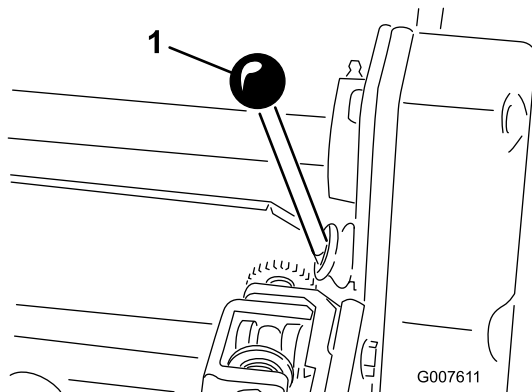


Figure 10

1. Reel drive lever

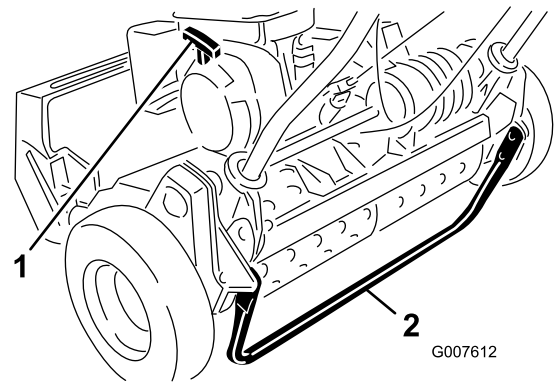


Figure 12

1. Recoil starter
2. Kick stand

Choke Lever

The choke lever (Figure 11) is located on left front of the engine. The lever has two positions: Run and Choke. Move the lever to the Choke position when starting a cold engine. After engine starts move lever to Run position.

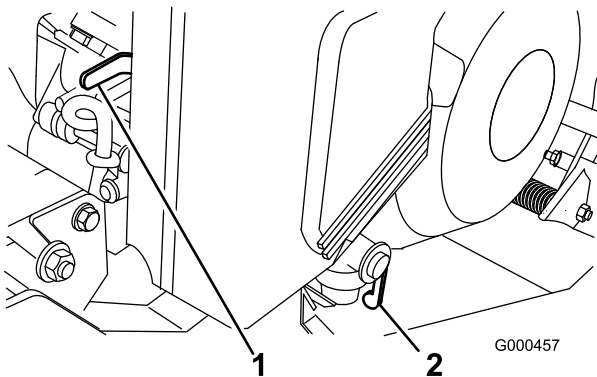


Figure 11

1. Choke lever
2. Fuel shut-off valve

Fuel Shut-Off Valve

The fuel shut-off valve (Figure 11) is located on left front of engine. The valve has two positions: Closed and Open. Move the lever to the closed position when storing or transporting machine. Open the valve before starting the engine.

Recoil Starter

Pull recoil starter handle (Figure 12) to start engine.

Kickstand

The kickstand (Figure 12) is mounted to the rear of machine and is used to raise the rear of machine for installation or removal of the transport wheels.

Specifications

	Model 04052	Model 04060
Width	36 inches (91 cm)	41 inches (104 cm)
Height	41-1/2 inches (105 cm)	41-1/2 inches (105.4 cm)
Length with basket	59 inches (150 cm)	59 inches (150 cm)
Dry weight (with basket and Wiehle roller; without wheels or grooming reel)	208 lb (94 kg.)	229 lb (104 kg)
Width of cut	21 inches (53 cm)	26 inches (66 cm)
Height of cut	0.063 to 1.25 inches (1.6 mm to 31.8 mm)	0.063 to 1.25 inches (1.6 mm to 31.8 mm)
Clip	0.17 inch (34.2 mm)	0.23 inch (5.8 mm)
Engine speed	Low idle – 1600 ±100 RPM, High idle – 3600 ±100 RPM	Low idle – 1600 ±100 RPM, High idle – 3600 ±100 RPM

Attachments/Accessories

A selection of Toro approved attachments and accessories are available for use with the machine to enhance and expand its capabilities. Contact your Authorized Service Dealer or Distributor or go to www.Toro.com for a list of all approved attachments and accessories.

Operation

Note: Determine the left and right sides of the machine from the normal operating position.

Think Safety First

Please carefully read all of the safety instructions and decals in the safety section. Knowing this information could help you or bystanders avoid injury.

Checking the Engine Oil Level

Check the engine oil level before each use or every 8 operating hours, refer to Checking the Engine Oil Level in Engine Maintenance.

Filling the Fuel Tank

Important: Never use methanol, gasoline containing methanol, gasohol containing more than 10% ethanol, gasoline additives, premium gasoline, or white gas because the fuel system could be damaged. Do not mix oil with gasoline.

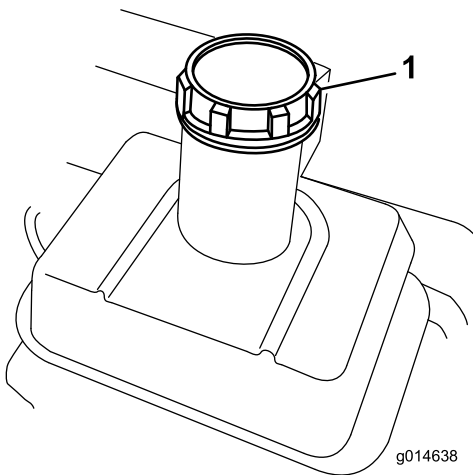


Figure 13

1. Fuel tank cap

▲ DANGER

In certain conditions, gasoline is extremely flammable and highly explosive. A fire or explosion from gasoline can burn you and others and can damage property.

- Fill the fuel tank outdoors, in an open area, when the engine is cold. Wipe up any gasoline that spills.
- Never fill the fuel tank inside an enclosed trailer.
- Do not fill the fuel tank completely full. Add gasoline to the fuel tank until the level is 1 inch (2.5 cm) below the bottom of the filler neck. This empty space in the tank allows gasoline to expand.
- Never smoke when handling gasoline, and stay away from an open flame or where gasoline fumes may be ignited by a spark.
- Store gasoline in an approved container and keep it out of the reach of children. Never buy more than a 30-day supply of gasoline.
- Do not operate without entire exhaust system in place and in proper working condition.

▲ DANGER

In certain conditions during fueling, static electricity can be released causing a spark which can ignite the gasoline vapors. A fire or explosion from gasoline can burn you and others and can damage property.

- Always place gasoline containers on the ground away from your vehicle before filling.
- Do not fill gasoline containers inside a vehicle or on a truck or trailer bed because interior carpets or plastic truck bed liners may insulate the container and slow the loss of any static charge.
- When practical, remove gas-powered equipment from the truck or trailer and refuel the equipment with its wheels on the ground.
- If this is not possible, then refuel such equipment on a truck or trailer from a portable container, rather than from a gasoline dispenser nozzle.
- If a gasoline dispenser nozzle must be used, keep the nozzle in contact with the rim of the fuel tank or container opening at all times until fueling is complete.

⚠ WARNING

Gasoline is harmful or fatal if swallowed. Long-term exposure to vapors can cause serious injury and illness.

- Avoid prolonged breathing of vapors.
 - Keep face away from nozzle and gas tank or conditioner opening.
 - Keep gas away from eyes and skin.
1. Clean around fuel tank cap and remove cap from tank (Figure 13).
 2. Using unleaded gasoline, fill fuel tank no higher than to bottom of filter screen. **Do not overfill.**
 3. Install fuel tank cap and wipe up any spilled gasoline.

Checking the Interlock Switch Operation

Service Interval: Before each use or daily

⚠ CAUTION

If safety interlock switches are disconnected or damaged the machine could operate unexpectedly causing personal injury.

- Do not tamper with the interlock switches.
 - Check the operation of the interlock switches daily and replace any damaged switches before operating the machine.
1. Place traction lever into Engage position and engine controls in starting position.
 2. Attempt to start engine.

The engine should not start. If engine starts, the interlock switch needs service. Correct problem before operating. Refer to Servicing Interlock Switch.

Starting and Stopping the Engine

Note: For illustrations and descriptions of the controls referenced in this section, refer to the Controls section in Product Overview.

Starting the Engine

Note: Ensure that the spark plug wire is installed on the spark plug.

1. Ensure that the traction and reel drive levers are in the Disengaged position.
Note: The engine will not start if the traction lever is in the Engaged position.
2. Open the fuel shut-off valve on the engine.
3. Move the on/off switch to the On position.
4. Move the throttle control to the Fast position.
5. Move the choke lever halfway between the On and Off positions when starting a cold engine. The choke may not be required when starting a warm engine.
6. Pull the recoil starter handle out until positive engagement results, then pull it vigorously to start the engine.

Important: Do not pull recoil rope to its limit or let go of starter handle when rope is pulled

out because rope may break or recoil assembly may be damaged.

7. Move the choke to the Off position as the engine warms up.

Stopping the Engine

1. Move the traction and reel drive controls to the Disengaged position, the throttle control to the Slow position, and the On/Off switch to the Off position.
2. Pull the spark plug wire off of the spark plug to prevent the possibility of accidental starting before storing the machine.
3. Close the fuel shut-off valve before storing or transporting the mower in a vehicle.

Driving the Machine in Transport

1. Push the kick stand down with your foot and pull up on the handle to raise the rear of mower and install the transport wheels.
2. To release the kickstand, pull up on the handle, push the mower forward, and then lower the rear of mower onto the transport wheels.
3. Ensure that the traction and reel drive controls are in the Disengaged position and start the engine.
4. Set the throttle control to Slow, raise the front of the machine up slightly, gradually engage the traction drive and slowly increase the engine speed.
5. Adjust the throttle to operate the mower at the desired ground speed and transport the mower to the desired destination.

Preparing to Mow

1. Return the traction control lever to the Disengage position, the throttle to the Slow position, and stop the engine.
2. Push the kickstand down with your foot and pull up and back on the handle to raise the wheels off of the ground.
3. Push the locking clips on the wheels out of the grooves in the shafts.
4. Slide the wheels off of the shafts.
5. Move the unit off of the kickstand.

Mowing

Proper use of the machine provides the smoothest turf cutting available. Refer also to Operating Tips

for fundamental suggestions to obtain the utmost performance from your mower.

Important: Excessive operation of the cutting unit with the absence of grass clippings (lubricant) can damage the cutting unit.

1. Start the engine, set the throttle at reduced speed, push down on the handle to raise the cutting unit, move the traction lever to the Engaged position, and transport the mower onto collar of the green.
2. Move the traction lever to the Disengaged position and move the reel drive lever to the Engaged position.
3. Move the traction lever to the Engaged position, increase the throttle speed until the mower is traveling at the desired ground speed, drive the mower onto the green, lower the front of the mower, and commence operation.
4. When finished mowing, drive off of the green, move the traction control lever to the Disengage position, stop the engine and push the reel drive lever into the Disengage position.
5. Empty the grass basket of clippings, install the grass basket, and commence transport operation.

Operating Tips

Before Mowing

- Ensure that the mower is carefully adjusted and is set evenly on both sides of the reel. Improper mower adjustment is magnified many times over in the appearance of the clipped turf.
- Remove all foreign objects from the turf prior to mowing.
- Ensure that everyone, especially children and pets, are clear of the work area.

Mowing Techniques

- Mow a green in a straight back and forth direction, across the green.
- Avoid circular mowing or turning the mower on a green because scuffing may occur. Turn the mower off of the green by raising the cutting reel (pushing the handle down) and turning on the traction drum.
- Mow at a normal walking pace. Fast speed saves very little time and will result in an inferior mowing job.

Maintenance

Note: Determine the left and right sides of the machine from the normal operating position.

Recommended Maintenance Schedule(s)

Maintenance Service Interval	Maintenance Procedure
After the first 8 hours	<ul style="list-style-type: none">• Change the engine oil.
After the first 25 hours	<ul style="list-style-type: none">• Clean the fuel filter.
Before each use or daily	<ul style="list-style-type: none">• Check the interlock switch operation.• Check the engine oil level.
Every 25 hours	<ul style="list-style-type: none">• Grease the machine. (Grease the fittings immediately after every washing regardless of the interval listed.)• Clean and oil the air cleaner foam element. (More often in dirty or dusty conditions)
Every 50 hours	<ul style="list-style-type: none">• Change the engine oil. (More frequently in dusty or dirty conditions)• Clean the fuel filter.
Every 100 hours	<ul style="list-style-type: none">• Clean or replace the paper air filter element. (More often in dirty or dusty conditions)• Check the spark plug.
Every 200 hours	<ul style="list-style-type: none">• Decarbon the engine.
Every 300 hours	<ul style="list-style-type: none">• Change the air filter paper element• Check the condition and tension of belts.
Before storage	<ul style="list-style-type: none">• Paint chipped surfaces.• Refer to the Storage Section for additional information

Important: Refer to your *Engine Operator's Manual* for additional maintenance procedures.

Daily Maintenance Checklist

Important: Duplicate this page for routine use.

Maintenance Check Item	For the week of:						
	Mon.	Tues.	Wed.	Thurs.	Fri.	Sat.	Sun.
Check the safety interlock operation.							
Check the parking brake operation.							
Check the fuel level.							
Check the engine oil level.							
Check the air filter.							
Clean the engine cooling fins.							
Check for unusual engine noises.							
Check for unusual operating noises.							
Check the reel-to-bedknife adjustment.							
Check the height-of-cut adjustment.							
Grease all fittings.							
Touch up damaged paint.							

Notation for Areas of Concern

Inspection performed by:		
Item	Date	Information

Lubrication

Greasing the Machine

Service Interval: Every 25 hours

Lubricate the 13 grease fittings on the mower using a No. 2 multipurpose lithium base grease. A hand operated grease gun is recommended for best results.

The grease fitting locations are as follows:

- 2 on the front roller (Figure 14)
 - 2 on the reel bearings (Figure 14)
 - 2 on the drum axles (Figure 15)
 - 3 on the differential (Figure 15)
 - 2 on the reel countershaft bearings (Figure 16)
 - 2 on the belt idler pivots (Figure 17).
1. Wipe each grease fitting with a clean rag.
 2. Pump grease into each fitting until it begins to get difficult to pump the gun.
- Important:** Do not apply too much pressure or grease seals will become permanently damaged.
3. Wipe off excess grease.

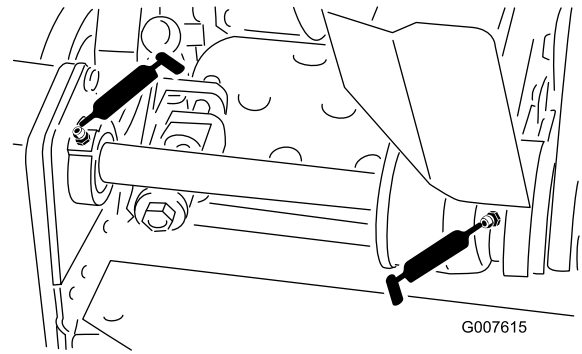


Figure 16

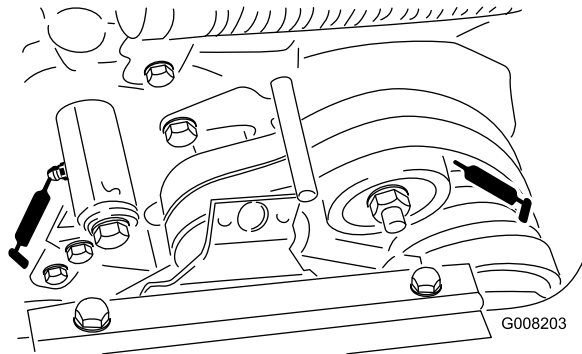


Figure 17

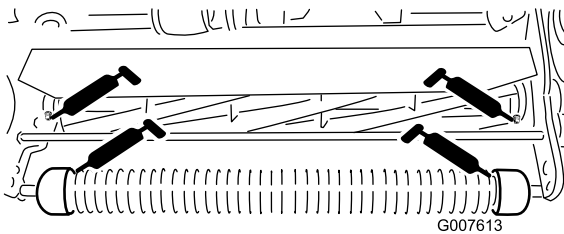


Figure 14

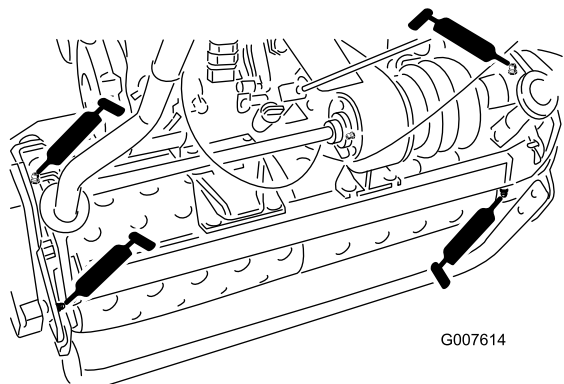


Figure 15

Engine Maintenance

Servicing the Engine Oil

Service Interval: After the first 8 hours—Change the engine oil.

Before each use or daily—Check the engine oil level.

Every 50 hours—Change the engine oil. (More frequently in dusty or dirty conditions)

The crankcase must be filled with approximately 20 fluid ounces of proper viscosity oil before starting. The engine uses any high-quality oil having the American Petroleum Institute - API - "service classification" SF, SG, SH or SJ. Oil viscosity - weight - must be selected according to ambient temperature. illustrates the temperature/viscosity recommendations.

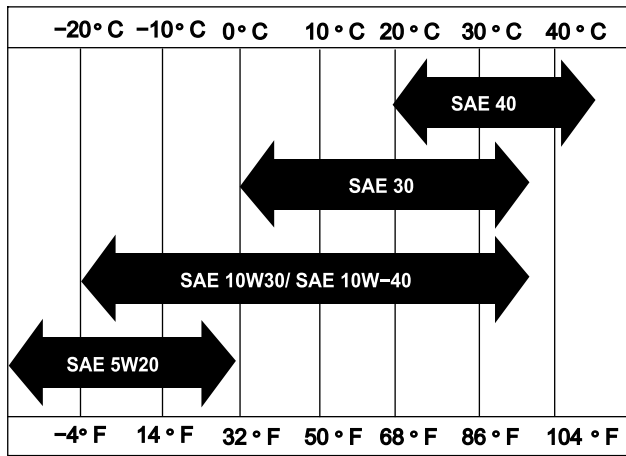


Figure 18

Note: Using multi-grade oils (5W-20, 10W-30, and 10W-40) will increase oil consumption. Check the oil level more frequently when using them.

Checking the Engine Oil Level

1. Position mower so the engine is level and clean around oil level gauge (Figure 19).

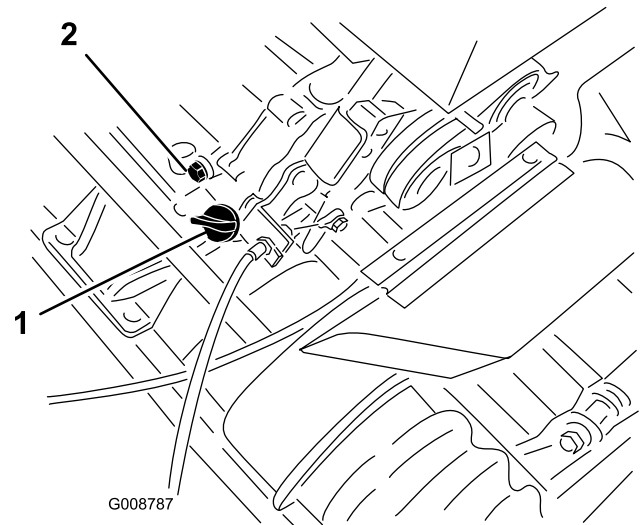


Figure 19

1. Oil level gauge
2. Drain plug

2. Remove the oil level gauge by rotating it counterclockwise.
3. Wipe the oil level gauge clean and insert it into the filler port. Do not screw it into the port.
4. Remove the gauge and check the level of the oil.
5. If the level is low, add only enough oil to raise the level until it is between the H and L marks on the gauge (Figure 20). **Do not overfill.**

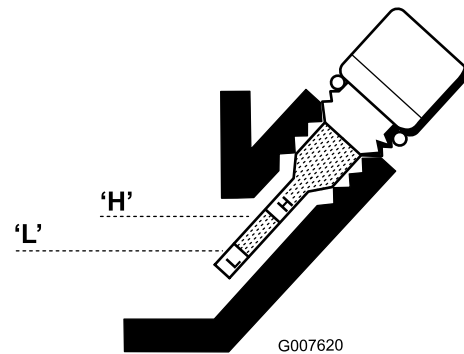


Figure 20

6. Install the oil level gauge and wipe up any spilled oil.

Changing the Engine Oil

1. Start and run the engine for a few minutes to warm the engine oil.
2. Place a drain pan at the rear of machine, under the drain plug (Figure 19).
3. Remove the drain plug.

4. Push down on the handle to tip the mower and the engine backward, allowing more oil to run into the drain pan.
5. Install the drain plug and refill the crankcase with the proper oil; refer to Checking the Engine Oil Level.

Servicing the Air Cleaner

Service Interval: Every 25 hours—Clean and oil the air cleaner foam element. (More often in dirty or dusty conditions)

Every 100 hours—Clean or replace the paper air filter element. (More often in dirty or dusty conditions)

Every 300 hours—Change the air filter paper element

Important: Service the air cleaner more often in dirty or dusty conditions

1. Make sure the wire is off of the spark plug.
2. Remove the wing nuts securing the air cleaner cover and remove the cover (Figure 21).

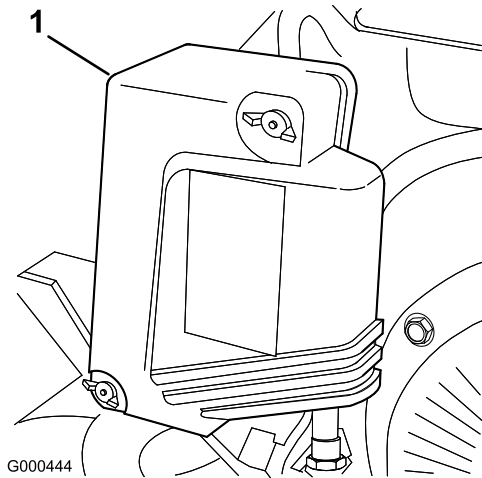


Figure 21

1. Air cleaner cover

3. Clean the cover thoroughly.
4. If the foam element is dirty, remove it from the paper element (Figure 22) and clean thoroughly, as follows:
 - A. Wash the foam element in a solution of liquid soap and warm water. Squeeze it to remove dirt, but do not twist it because the foam may tear.
 - B. Dry the foam element by wrapping it in a clean rag. Squeeze the rag and foam element to dry it, but do not twist it.
 - C. Saturate the foam element with clean engine oil. Squeeze the element to remove excess oil and to distribute the oil thoroughly. An oil damp element is desirable.

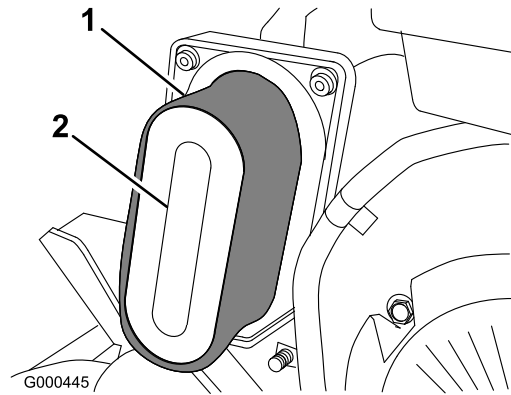


Figure 22

1. Foam element
2. Paper element

5. Check the condition of the paper element. Clean by gently tapping or replace it as required.

Important: Do not use compressed air to clean the paper element.

6. Install the foam element, paper element, and air cleaner cover.

Important: Do not operate the engine without the air cleaner element because extreme engine wear and damage will likely result.

Replacing the Spark Plug

Service Interval: Every 100 hours

Use an NGK BPR 5ES spark plug or equivalent. The correct air gap is 0.028-0.032 inch.

1. Pull the molded wire off of the spark plug (Figure 23).

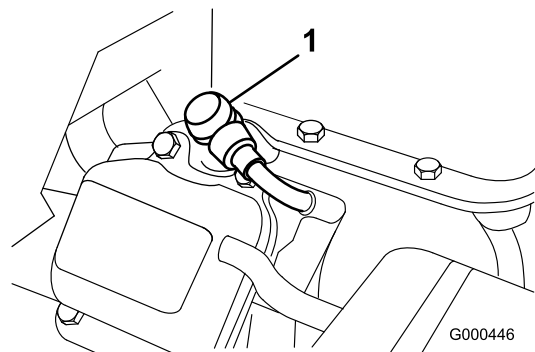


Figure 23

1. Spark plug wire
2. Clean around the spark plug and remove it from the cylinder head.

Important: Replace a cracked, fouled, or dirty spark plug. Do not sand blast, scrape, or clean electrodes because engine damage could result from grit entering the cylinder.

- Set the air gap at 0.028 to 0.032 inch (0.05 to 0.07 cm) (Figure 24).

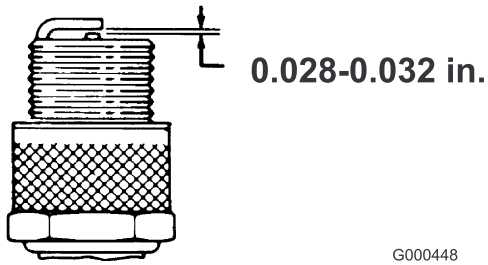


Figure 24

G000448

-
- Install the correctly gapped spark plug and tighten it to 17 ft.-lb (23 N-m).
 - Install the spark plug wire on the spark plug.

Fuel System Maintenance

Cleaning the Fuel Filter

Service Interval: After the first 25 hours
Every 50 hours

- Close the fuel shut off valve and unscrew the bowl from the filter body (Figure 25).

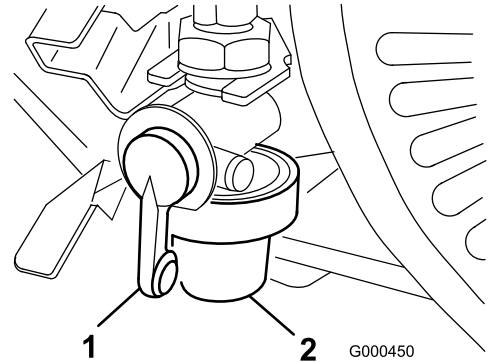


Figure 25

G000450

- Shut-off valve
- Bowl

-
- Clean the bowl and filter in clean gasoline and install it.

Electrical System Maintenance

Servicing the Interlock Switch

Use the following procedure if the switch needs adjustment or replacement.

1. Make sure the engine is off and the traction lever is disengaged and resting against the neutral stop (Figure 26).

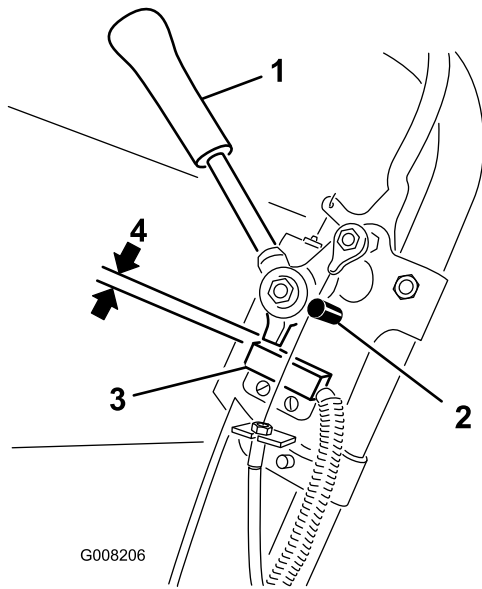


Figure 26

- | | |
|-------------------|---------------------|
| 1. Traction lever | 3. Interlock switch |
| 2. Neutral stop | 4. .032" Gap |

2. Loosen the interlock switch mounting fasteners (Figure 26).
3. Place a .032" thick shim between the traction lever and the interlock switch (Figure 26).
4. Tighten interlock switch mounting fasteners. Recheck gap. The traction lever must not contact the switch.
5. Engage traction lever and verify that the switch loses continuity. Replace if required.

Brake Maintenance

Adjusting the Service/Parking Brake

If service/parking brake slips when operated, an adjustment is required.

1. Move service/parking brake lever to the Off position.
2. Loosen the retainer securing the V-belt cover and pivot the cover open.
3. To increase the cable tension, loosen the front cable jam nut and tighten the back cable jam nut (Figure 27) until a force of 5 to 7 lb is required to engage the brake. Measure the force at the lever knob. Do not over-adjust it so that the brake band drags.

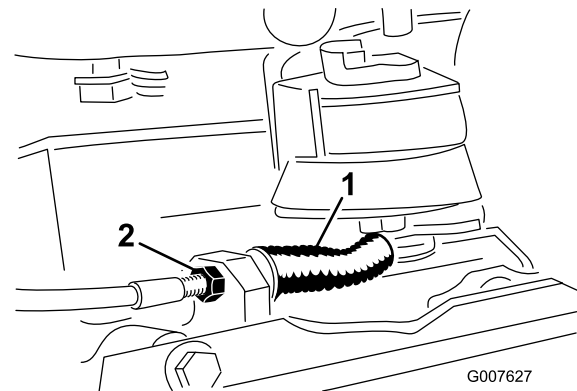


Figure 27

- | | |
|-------------------|--------------------------------|
| 1. Traction cable | 2. Service/parking brake cable |
|-------------------|--------------------------------|

4. Close the cover and secure the retainer.

Belt Maintenance

Adjusting the Belts

Service Interval: Every 300 hours—Check the condition and tension of belts.

Ensure that the belts are properly tensioned to ensure proper operation of the machine and unnecessary wear. Check belts frequently.

Adjusting the Reel Drive Belt

1. Remove the belt cover mounting fasteners and belt cover to expose the belt (Figure 28).

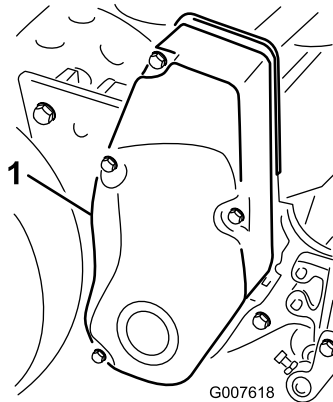


Figure 28

1. Belt cover

2. Check the tension by pressing the belt at mid span of the pulleys (Figure 29) with 4 to 5 lb of force. The belt should deflect 1/4 inch.

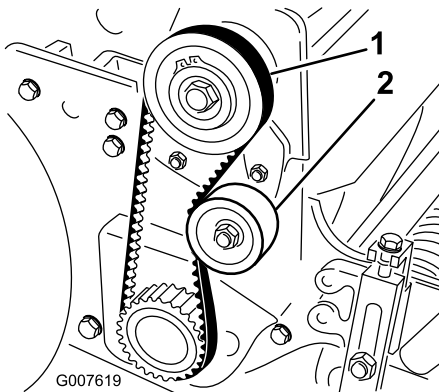


Figure 29

1. Reel drive belt
2. Idler pulley

3. Complete the following to adjust the belt tension:
 - A. Loosen the idler pulley mounting nut and pivot the idler pulley clockwise against the backside of the belt until you attain the desired belt tension (Figure 29).

Important: Do not over tension the belt.

B. Tighten the nut to lock the adjustment.

4. Install the belt cover by placing it in position.
5. While maintaining a slight gap between the cover seal and the side plate, install each mounting bolt until the threads engage in the insert. The gap allows visual alignment of the bolts to the threaded inserts.
6. After all bolts are installed, tighten them until the stand-offs inside the cover contact the side plate. Do not overtighten.

Adjusting the Traction Drive Belt

1. Remove the belt cover mounting fasteners and the belt cover to expose the belt (Figure 30).

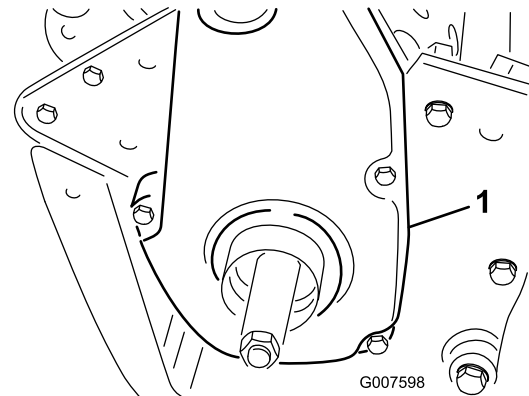


Figure 30

1. Traction drive belt cover

2. Check the tension by pressing the belt at mid span of the pulleys (Figure 31) with 4 to 5 lb of force. The belt should deflect 1/4 inch.

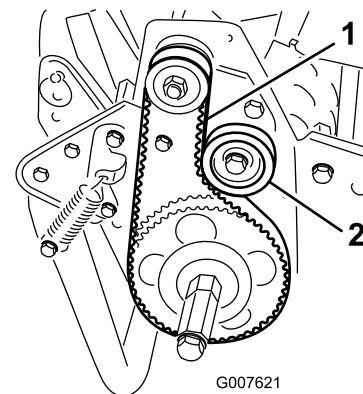


Figure 31

1. Traction drive belt
2. Idler pulley

3. Complete the following to adjust the belt tension:
 - A. Loosen the idler pulley mounting nut and pivot the idler pulley clockwise against the backside of

the belt until the desired belt tension is attained (Figure 31).

Important: Do not over tension the belt.

- B. Tighten the nut to lock the adjustment.
4. Install the belt cover by placing it in position.
5. While maintaining a slight gap between the cover seal and the side plate, install each mounting bolt until the threads engage in the insert. The gap allows visual alignment of the bolts to the threaded inserts.
6. After all bolts are installed, tighten them until the stand-offs inside the cover contact the side plate. Do not overtighten.

Adjusting the Differential Belt

1. Remove the bolts securing the front and rear sections of the differential cover to the differential housing and slide the cover sections away to expose the belt.
2. Check the tension by pressing the belt at mid span of the pulleys (Figure 32) with 5 to 6 lb of force. The belt should deflect 1/4 inch.

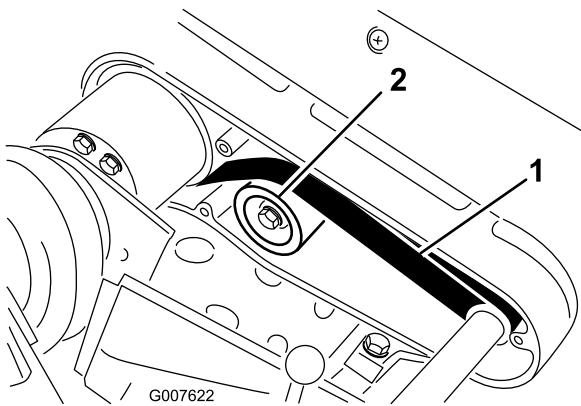


Figure 32

1. Differential belt
2. Idler pulley

3. Complete the following to adjust the belt tension:
 - A. Loosen the idler pulley mounting nut and pivot the idler pulley clockwise against the backside of the belt until the desired belt tension is attained (Figure 32).

Important: Do not over tension the belt.

- B. Tighten the nut to lock the adjustment.
4. Install the belt cover by placing it in position.
5. While maintaining a slight gap between the cover seal and the side plate, install each mounting bolt until the threads engage in the insert. The gap allows visual alignment of the bolts to the threaded inserts.
6. After all bolts are installed, tighten them until the stand-offs inside the cover contact the side plate. Do not overtighten.

Adjusting the Primary V-Belts

1. To adjust the belt tension on primary V-belts, first check the adjustment of the traction control. Refer to Adjusting the Traction Control. If unable to attain the 4 to 5 lb force required in adjusting the traction control, proceed to next step.
2. Loosen the retainer securing the V-belt cover and pivot the cover open (Figure 33).

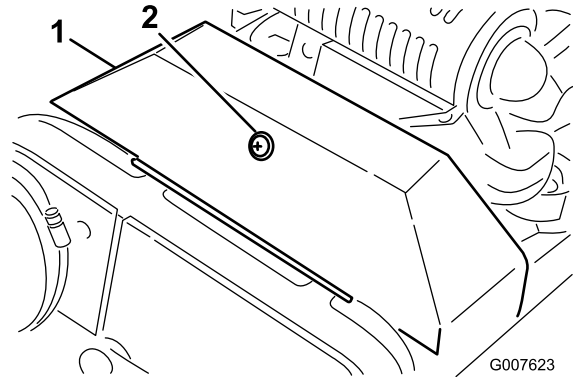


Figure 33

1. V-belt cover
2. Retainer

3. To increase belt tension, loosen the engine mounting bolts and move engine backwards in the slots.

Important: Do not over tension the belt.

4. Tighten the mounting bolts.

Note: The distance between the centers of the driver and the driven pulleys should be approximately 5.18 inches (13.15 cm) after new V-belts are installed.

5. After tensioning the primary V-belts, check the alignment of the engine output shaft pulley and the countershaft pulley with a straight edge.
6. If the pulleys are misaligned, loosen the screws securing the engine mounting base to the mower frame and slide the engine from side to side until the pulleys are aligned within 0.030 inch (0.07 cm).

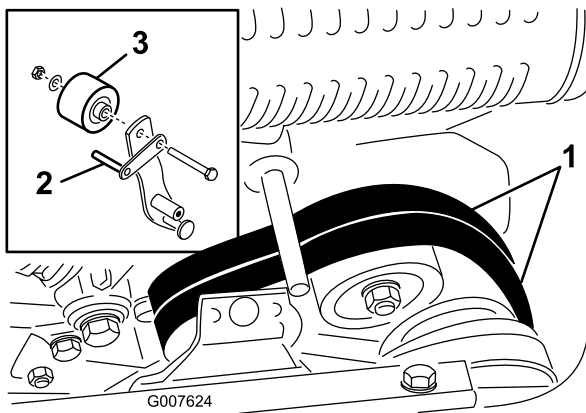


Figure 34

- 1. Primary V-belts
- 2. Belt guide
- 3. Idler pulley

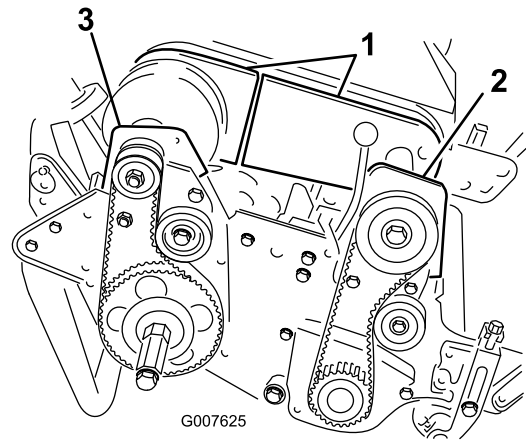


Figure 35

- 1. Differential cover sections
- 2. Front clutch housing
- 3. Right rear bearing housing

7. Tighten the mounting screws and check the alignment.
8. To push or pull the machine easier without starting the engine, adjust the belt guide (Figure 34, inset) as follows:
 - A. Engage the clutch.
 - B. Loosen the bolt securing the idler pulley and belt guide to the idler arm.
 - C. Rotate the belt guide clockwise until a gap of approximately 0.06 inch (0.15 cm) is obtained between the guide finger and the backside of the drive belts.
 - D. Tighten the bolt and locknut securing the idler pulley and belt guide to the idler arm.
9. Close the cover and secure the retainer.

Replacing the Differential Belt

1. Remove the bolts securing the traction drive and reel drive belt covers to the right side plate and remove the belt covers.
2. Loosen the idler pulley mounting nut, on each idler pulley, and pivot each idler pulley counterclockwise away from the backside of each belt to release belt tension.
3. Remove the belts.
4. Remove the bolts securing the front and rear sections of the differential cover to the differential housing and slide the cover sections away to expose the belt (Figure 35).
5. Loosen the idler pulley mounting nut on the differential idler pulley and pivot the idler pulley counterclockwise away from the backside of the belt to release the belt tension.
6. Remove the 2 bolts and locknuts securing the front clutch housing to the side plate (Figure 35).
7. Rotate the housing 180° so the bottom of the housing points upward.
8. Remove the 2 bolts and locknuts securing the right rear bearing housing to the side plate (Figure 35).
9. Rotate the housing 180° so the bottom of the housing points upward. Remove old belt.
10. Slide the new belt over the rotated housing covers, the differential cover sections, and onto the differential pulleys.
11. Ensure that the idler pulley is positioned against the backside of belt.
12. Rotate both housings back into the upright position and secure them to the sideplate with the bolts and nuts previously removed.
13. Adjust the differential belt tension; refer to Adjusting the Differential Belt.
14. Adjust the belt tension on the traction drive and reel drive belts; refer to Adjusting the Traction Drive Belt, and Adjusting the Reel Drive Belt
15. Install the differential, traction drive, and reel drive covers.

Controls System Maintenance

Adjusting the Traction Control

If traction control does not engage or it slips during operation, an adjustment is required.

1. Move the traction control to the Disengaged position.
2. Loosen the retainer securing the V-belt cover and pivot the cover open (Figure 33).
3. To increase the cable tension, loosen the front cable jam nut and tighten the back cable jam nut (Figure 36) until a force of 7 to 9 lb is required to engage the traction control. Measure the force at the control knob.

Measure the force at the control knob.

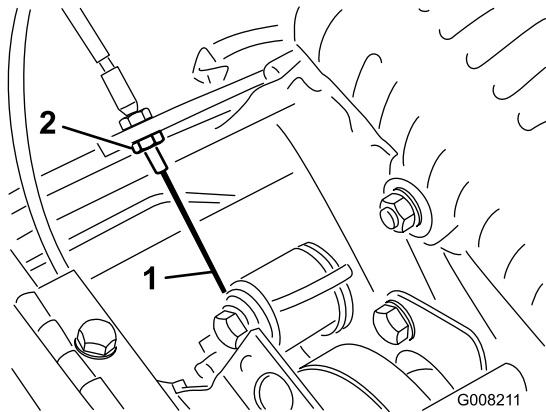


Figure 36

1. Traction cable
2. Front jam nut

-
4. Tighten front cable jam nut.
 5. Close the cover and secure the retainer.
 6. Check the traction control operation.

Cutting Unit Maintenance

Leveling the Rear Drum to the Reel

1. Position the machine on a flat, level surface, preferably a precision steel work plate.
2. Place a 1/4 x 1 inch (0.6 x 2.5 cm) flat steel strip, approximately 29 inches (73.6 cm) long, under the reel blades and against the front edge of the bedknife to prevent the bedbar from resting on the work surface.
3. Raise the front roller so only the rear drum and reel are on the surface.
4. Firmly press down on the machine above the reel so all reel blades contact the steel strip.
5. While pressing down on the reel, slide a feeler gauge under one end of the drum, then check the other end of the drum.

If there is a gap between the drum and the work surface, greater than 0.010 inch (.025 cm), on either end, adjust the drum (proceed to step 6). If the gap is less than 0.010 inch (.025 cm) no adjustment is required.

6. Remove the rear belt cover from the right side of the machine (Figure 37).

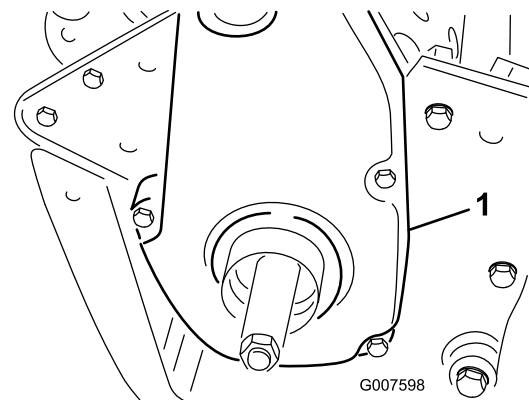


Figure 37

1. Traction drive belt cover

-
7. Rotate the driven pulley until the holes align with the 4 roller bearing flange screws (Figure 38).

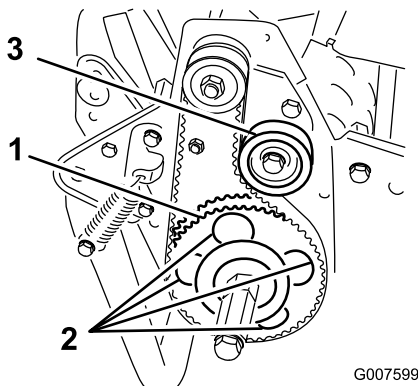


Figure 38

1. Driven pulley
2. 4 holes
3. Idler Pulley

turn the bedbar adjusting screw clockwise (on the same end of reel, one click at a time, until the paper is pinched lightly, when inserted from the front, parallel to the bedknife, which results in a slight drag when paper is pulled (Figure 39)

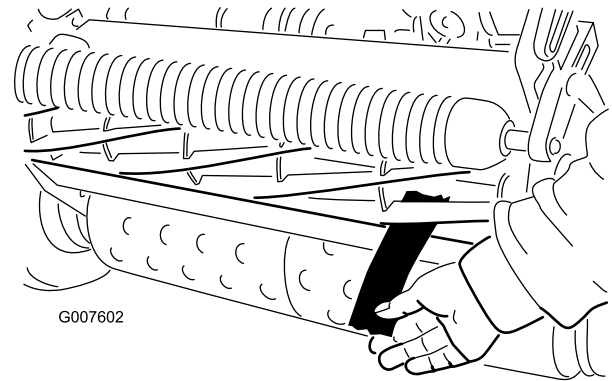


Figure 40

8. Loosen the 4 roller bearing screws and the screw securing the idler pulley.
9. Raise or lower the right side of the roller assembly until the gap is less than 0.010 inch (.025 cm).
10. Tighten the roller bearing screws.
11. Adjust the belt tension and tighten the idler pulley mounting screw (Figure 38).

Note: Each time the adjusting screw is rotated one click clockwise, the bedknife moves 0.0007 inch (0.0017 cm) closer to the reel. Do not overtighten the adjusting screws.

Adjusting the Bedknife to the Reel

The bedknife to reel adjustment is accomplished by loosening or tightening the bedbar adjusting screws, located on top of the mower.

1. Position the machine on a flat, level work surface.
2. Ensure that the reel contact is removed by turning the bedbar adjusting screws counterclockwise (Figure 39).

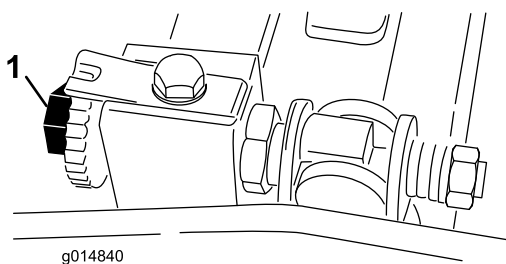


Figure 39

1. Bedbar adjusting screw (Greensmaster 1000)

5. Check for light contact at the other end of the reel using paper and adjust it as required.
6. After the adjustment is accomplished, check to see if the reel can pinch paper when inserted from the front and cut paper when inserted at a right angle to the bedknife (Figure 40). It should be possible to cut paper with minimum contact between the bedknife and the reel blades. Should excessive reel drag be evident (more than 7 inch-lb (0.79 N-m)), either backlap or grind the cutting unit to achieve the sharp edges needed for precision cutting; refer to the Toro reel sharpening manual.

Adjusting the Height of Cut

3. Tilt the mower back on the handle to expose the bedknife and reel.
4. On one end of the front side of the reel, insert a long strip of newspaper between the reel and bedknife (Figure 40). While slowly rotating the reel forward,

1. Verify that the rear roller is level and that the bedknife to reel contact is correct. Tip the mower back on the handle to expose the front and rear rollers and the bedknife.
2. Loosen the locknuts securing the height-of-cut arms to the height-of-cut brackets (Figure 41).

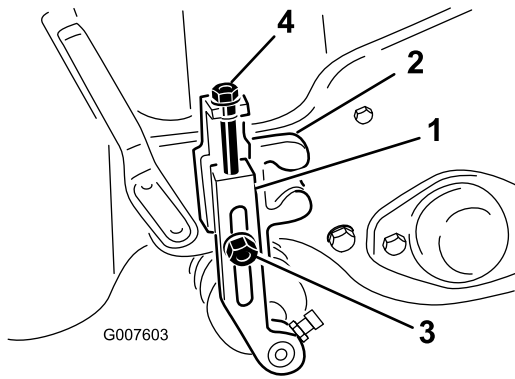


Figure 41

- | | |
|--------------------------|--------------------|
| 1. Height-of-cut arm | 3. Locknut |
| 2. Height-of-cut bracket | 4. Adjusting screw |

- Loosen the nut on the gauge bar (Figure 42) and set the adjusting screw to the desired height-of-cut. The distance between the bottom of the screw head and the face of the bar is the height-of-cut.

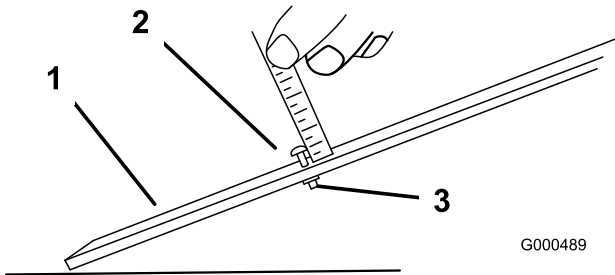


Figure 42

- | | |
|---------------------------|--------|
| 1. Gauge bar | 3. Nut |
| 2. Height adjusting screw | |

- Hook the screw head on the cutting edge of the bedknife and rest the rear end of the bar on the rear roller (Figure 43).

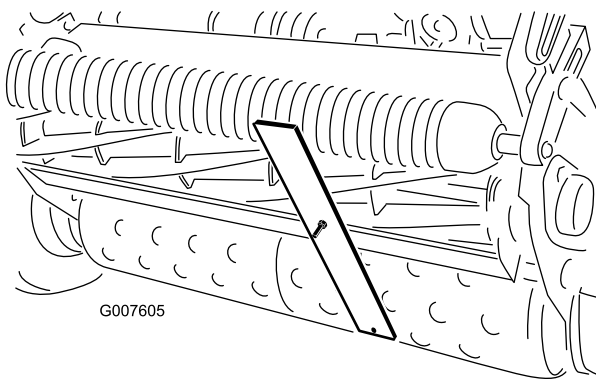


Figure 43

- Rotate the adjusting screw until the roller contacts the front of the gauge bar.
- Adjust both ends of the roller until the entire roller is parallel to the bedknife.

Important: When set properly, the rear and front rollers will contact the gauge bar and the screw will be snug against the bedknife. This ensures the height-of-cut is identical at both ends of the bedknife.

- Tighten nuts to lock the adjustment.

Important: To avoid scalping on undulating turf, ensure that the roller supports are positioned rearward (the roller closer to the reel).

Note: The front roller can be put in three different positions (Figure 44), depending on the application and needs of the user.

- Use the front position when a groomer is installed.
- Use the middle position without a groomer.
- Use the third position in extremely undulating turf conditions.

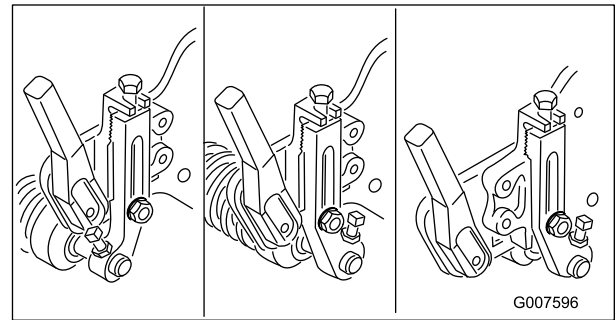


Figure 44

Adjusting the Grass Shield Height

Adjust the shield to ensure proper grass clipping discharge into the basket.

- Measure the distance from top of the front support rod to the front lip of the shield at each end of the cutting unit (Figure 45).

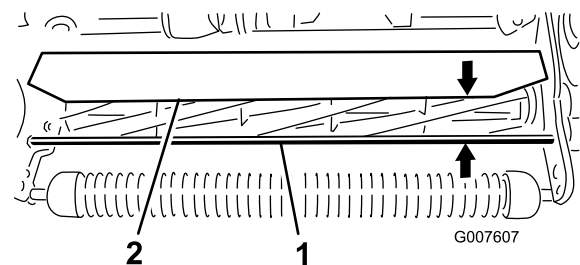


Figure 45

- | | |
|----------------|-----------|
| 1. Support rod | 2. Shield |
|----------------|-----------|
- The height of the shield from the support rod for normal cutting conditions should be 4 inches (10

cm). Loosen the bolts and nuts securing each end of the shield to the sideplate and adjust the shield to the correct height.

3. Tighten the fasteners.

Note: The shield can be lowered for drier conditions (clippings fly over top of basket) or raised to allow for heavy wet grass conditions (clippings build up on rear of basket).

Adjusting the Cut-Off Bar

Adjust the cut-off bar to ensure that the clippings are cleanly discharged from the reel area.

1. Loosen the screws securing the top bar (Figure 46) to cutting unit.

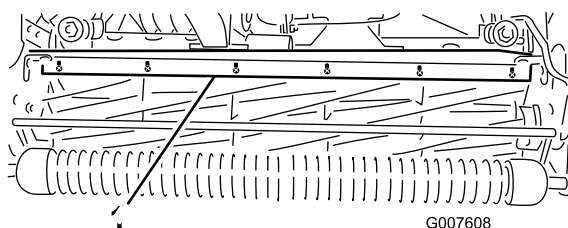


Figure 46

1. Cut-off bar

2. Insert a 0.060 inch (0.15 cm) feeler gauge between the top of the reel and the bar and tighten the screws.
3. Ensure that the bar and reel are equal distance apart across the entire reel.

Note: The bar is adjustable to compensate for changes in turf conditions. Adjust the bar closer to the reel when the turf is extremely wet. By contrast, adjust the bar further away from the reel when turf conditions are dry. The bar should be parallel to the reel to ensure optimum performance. Adjust the bar whenever the shield height is adjusted or when the reel is sharpened on a reel grinder.

Bedbar Identification

To determine if the bedbar is standard or aggressive, check the left bedbar mounting ears. If the mounting ears are rounded it is a standard bedbar. If the mounting ears have a notch in them, it is an aggressive bedbar (Figure 47).

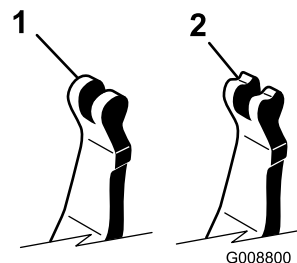


Figure 47

1. Standard bedbar
2. Aggressive bedbar

Setting the Machine to Match Turf Conditions

Use the following table to set the machine to match turf conditions.

Greensmower Cutting Unit Set-up Matrix				
Bedbars: Standard and Optional				
Part Number	Description	Mower	Aggressiveness	Comments
112-9281-01	Standard	Greensmaster 1000	Less	Standard Greensmaster 1000
112-9279-03	Aggressive	Greensmaster 1000	More	
112-9280-01	Standard	Greensmaster 1600	Less	Standard Greensmaster 1600
110-9278-03	Aggressive	Greensmaster 1600	More	
Bedknives: Standard and Optional				
Part Number	Description	Mower	Height of Cut Range	Comments
93-4262	Microcut	Greensmaster 1000	<0.125 inches	
93-4263	Tournament	Greensmaster 1000	0.125 -0.25 inches	Standard
93-4264	Low Cut	Greensmaster 1000	0.25 inches and up	
112-9275	Microcut	Greensmaster 1600	<0.125 inches	
94-5885	Tournament	Greensmaster 1600	0.125 -0.25 inches	
104-2646	HighCut	Greensmaster 1600	0.25 inches and up	Tees
93-9015	Low Cut	Greensmaster 1600	0.25 inches and up	Standard Greensmaster 1600
Rollers: Standard and Optional				
Part Number	Description	Mower	Diameter/Material	Comments
99-6241	Narrow Wiehle	Greensmaster 1000	2.0 inches Aluminum	Standard, 0.2 Spacing
88-6790	Wide Wiehle	Greensmaster 1000	2.0 inches Aluminum	More Penetration, 0.43 Spacing
104-2642	Full Roller	Greensmaster 1000	2.0" Steel	Least Penetration
71-1550	Wiehle Roller	Greensmaster 1000	2.0 inches Cast Iron	More Penetration, 0.43 Spacing
93-9045	Wiehle Roller	Greensmaster 1000	2.5 inches Aluminum	24 inches Wide for Edge Support
52-3590	Swaged Roller	Greensmaster 1000	2.5 inches Aluminum	
93-9039	Narrow Wiehle	Greensmaster 1600	2.5 inches Aluminum	Standard
95-0930	Full Roller	Greensmaster 1600	2.5 inches Steel	Least Penetration
Clip Kit				
Part Number	Description	Mower	Comments	
65-9000	Clip Kit	Greensmaster 1000 & Greensmaster 1600	Decrease clip to 0.25"	

Servicing the Bedbar

Removing the Bedbar

1. Turn bedbar adjuster screw, counterclockwise, to back bedknife away from reel (Figure 48).

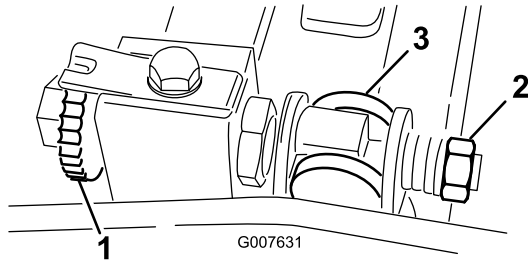


Figure 48

1. Bedbar adjusting screw
2. Spring tension nut
3. Bedbar

2. Back out the spring tension nut, until the washer is no longer tensioned against the bedbar (Figure 48).
3. On each side of the machine, loosen the jam nut securing the bedbar bolt (Figure 49).

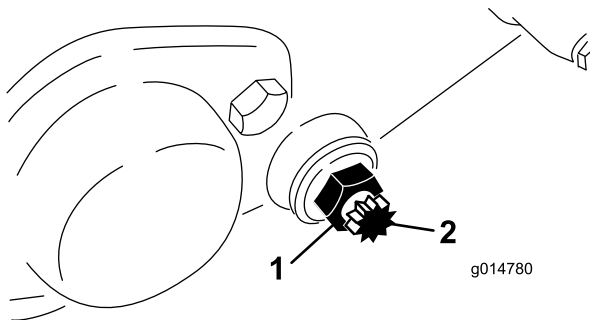


Figure 49

1. Jam nut
2. Bedbar bolt

4. Remove each bedbar bolt allowing the bedbar to be pulled downward and removed from the machine. Save the 2 nylon and 2 stamped steel washers on each end of bedbar (Figure 49).

Installing the Bedbar

1. Install the bedbar, positioning the mounting ears between the washer and the bedbar adjuster.
2. Secure the bedbar to each side plate with the bedbar bolts (jam nuts on the bolts) and 8 washers. Position a nylon washer on each side of the side plate boss. Place a steel washer outside each of the nylon washers.
3. Torque bolts to 240 to 320 inch-lb (27 to 36 N-m).
4. Tighten the jam nuts until the thrust washers just rotate freely.

5. Tighten the spring tension nut until the spring is collapsed, then back it off 1/2 turn.
6. Adjust the bedbar; refer to Adjusting the Bedknife to the Reel.

Backlapping the Reel

1. Remove the plug in the right reel drive cover (Figure 50).

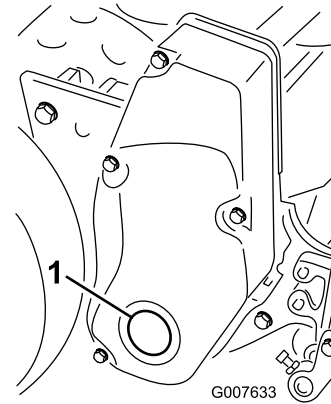


Figure 50

1. Cover plug
2. Insert a 1/2 inch socket extension, connected to the backlapping machine, into the square hole in the center of the reel pulley.
3. Backlap according to the procedure in the *Toro Sharpening Reel and Rotary Mowers Manual*, Form No. 80-300 PT.

▲ DANGER

Contact with the reel or other moving parts can result in personal injury.

- Stay away from the reel while backlapping.
- Never use a short handled paint brush for backlapping. Part No. 29-9100 Handle assembly complete or individual parts are available from your local Authorized Toro Distributor.

Note: For a better cutting edge, run a file across the front face of the bedknife when the lapping operation is completed. This will remove any burrs or rough edges that may have built up on the cutting edge.

4. Install the plug in the cover when finished.

Storage

1. Remove grass clippings, dirt, and grime from the external parts of the entire machine, especially the engine. Clean dirt and chaff from the outside of the engine's cylinder head fins and blower housing.

Important: You can wash the machine with mild detergent and water. Do not pressure wash the machine. Avoid excessive use of water, especially near the shift lever plate, and engine.

2. For long-term storage (more than 90 days) add stabilizer/conditioner additive to fuel in the tank.
 - A. Run the engine to distribute conditioned fuel through the fuel system (5 minutes).
 - B. Either stop engine, allow it to cool, and drain the fuel tank, or operate the engine until it stops.
 - C. Restart the engine and run it until it stops. Repeat, on Choke, until the engine will not restart.
 - D. Dispose of fuel properly. Recycle as per local codes.

Note: Do not store stabilizer/conditioned gasoline over 90 days.

3. Check and tighten all bolts, nuts, and screws. Repair or replace any part that is damaged or defective.
4. Paint all scratched or bare metal surfaces. Paint is available from your Authorized Service Dealer.
5. Store the machine in a clean, dry garage or storage area. Cover the machine to protect it and keep it clean.

Notes:

Notes:



The Toro Total Coverage Guarantee

A Limited Warranty

Conditions and Products Covered

The Toro® Company and its affiliate, Toro Warranty Company, pursuant to an agreement between them, jointly warrant your Toro Commercial product ("Product") to be free from defects in materials or workmanship for two years or 1500 operational hours*, whichever occurs first. This warranty is applicable to all products with the exception of Aerators (refer to separate warranty statements for these products). Where a warrantable condition exists, we will repair the Product at no cost to you including diagnostics, labor, parts, and transportation. This warranty begins on the date the Product is delivered to the original retail purchaser.

* Product equipped with an hour meter.

Instructions for Obtaining Warranty Service

You are responsible for notifying the Commercial Products Distributor or Authorized Commercial Products Dealer from whom you purchased the Product as soon as you believe a warrantable condition exists. If you need help locating a Commercial Products Distributor or Authorized Dealer, or if you have questions regarding your warranty rights or responsibilities, you may contact us at:

Commercial Products Service Department
Toro Warranty Company
8111 Lyndale Avenue South
Bloomington, MN 55420-1196
E-mail: commercial.warranty@toro.com

Owner Responsibilities

As the Product owner, you are responsible for required maintenance and adjustments stated in your Operator's Manual. Failure to perform required maintenance and adjustments can be grounds for disallowing a warranty claim.

Items and Conditions Not Covered

Not all product failures or malfunctions that occur during the warranty period are defects in materials or workmanship. This warranty does not cover the following:

- Product failures which result from the use of non-Toro replacement parts, or from installation and use of add-on, or modified non-Toro branded accessories and products. A separate warranty may be provided by the manufacturer of these items.
- Product failures which result from failure to perform recommended maintenance and/or adjustments. Failure to properly maintain your Toro product per the Recommended Maintenance listed in the *Operator's Manual* can result in claims for warranty being denied.
- Product failures which result from operating the Product in an abusive, negligent or reckless manner.
- Parts subject to consumption through use unless found to be defective. Examples of parts which are consumed, or used up, during normal Product operation include, but are not limited to, brakes pads and linings, clutch linings, blades, reels, bed knives, tines, spark plugs, castor wheels, tires, filters, belts, and certain sprayer components such as diaphragms, nozzles, and check valves, etc.
- Failures caused by outside influence. Items considered to be outside influence include, but are not limited to, weather, storage practices, contamination, use of unapproved coolants, lubricants, additives, fertilizers, water, or chemicals, etc.

Countries Other than the United States or Canada

Customers who have purchased Toro products exported from the United States or Canada should contact their Toro Distributor (Dealer) to obtain guarantee policies for your country, province, or state. If for any reason you are dissatisfied with your Distributor's service or have difficulty obtaining guarantee information, contact the Toro importer. If all other remedies fail, you may contact us at Toro Warranty Company.

- Normal noise, vibration, wear and tear, and deterioration.
- Normal "wear and tear" includes, but is not limited to, damage to seats due to wear or abrasion, worn painted surfaces, scratched decals or windows, etc.

Parts

Parts scheduled for replacement as required maintenance are warranted for the period of time up to the scheduled replacement time for that part. Parts replaced under this warranty are covered for the duration of the original product warranty and become the property of Toro. Toro will make the final decision whether to repair any existing part or assembly or replace it. Toro may use remanufactured parts for warranty repairs.

Note Regarding Deep Cycle Battery Warranty:

Deep cycle batteries have a specified total number of kilowatt-hours they can deliver during their lifetime. Operating, recharging, and maintenance techniques can extend or reduce total battery life. As the batteries in this product are consumed, the amount of useful work between charging intervals will slowly decrease until the battery is completely worn out. Replacement of worn out batteries, due to normal consumption, is the responsibility of the product owner. Battery replacement may be required during the normal product warranty period at owner's expense.

Maintenance is at Owner's Expense

Engine tune-up, lubrication cleaning and polishing, replacement of Items and Conditions Not Covered filters, coolant, and completing Recommended Maintenance are some of the normal services Toro products require that are at the owner's expense.

General Conditions

Repair by an Authorized Toro Distributor or Dealer is your sole remedy under this warranty.

Neither The Toro Company nor Toro Warranty Company is liable for indirect, incidental or consequential damages in connection with the use of the Toro Products covered by this warranty, including any cost or expense of providing substitute equipment or service during reasonable periods of malfunction or non-use pending completion of repairs under this warranty. Except for the Emissions warranty referenced below, if applicable, there is no other express warranty.

All implied warranties of merchantability and fitness for use are limited to the duration of this express warranty. Some states do not allow exclusions of incidental or consequential damages, or limitations on how long an implied warranty lasts, so the above exclusions and limitations may not apply to you.

This warranty gives you specific legal rights, and you may also have other rights which vary from state to state.

Note regarding engine warranty:

The Emissions Control System on your Product may be covered by a separate warranty meeting requirements established by the U.S. Environmental Protection Agency (EPA) and/or the California Air Resources Board (CARB). The hour limitations set forth above do not apply to the Emissions Control System Warranty. Refer to the Engine Emission Control Warranty Statement printed in your *Operator's Manual* or contained in the engine manufacturer's documentation for details