



Count on it.

Parts Catalog

14-Blade DPA Reel Mower

Greensmaster® 3000 Series

Model No. 04616—Serial No. 311000001 and Up

Ordering Replacement Parts

To order replacement parts, please supply the part number, the quantity, and the description of each part desired.

Understanding Reference Numbers

Each identified part in an illustration has a reference number. The reference number for a part also appears in the parts list, along with other information about the part.

This catalog uses two special reference number formats, one to indicate parts in a service assembly and another to indicate the quantity of a given part in an illustration.

Service Assembly Reference Numbers

Parts in service assemblies have reference numbers in the form a:b. The a represents the reference number of the entire service assembly and the b represents a sequential number unique to each part within the service assembly.

For example, a wheel assembly might be identified by reference number 6, the tire by 6:1, the valve by 6:2, and the wheel by 6:3. When you order the assembly identified by reference number 6, you receive all parts identified by reference numbers 6:1, 6:2, and 6:3. However, you may also order any part individually. Reference numbers of this type appear in illustration and in parts lists.

Reference Numbers Indicating Quantity

In an illustration, if a reference number indicates more than one part, the reference number has the form nX y. The n represents the quantity of the part, the X is the multiplication symbol, and the y represents the reference number.

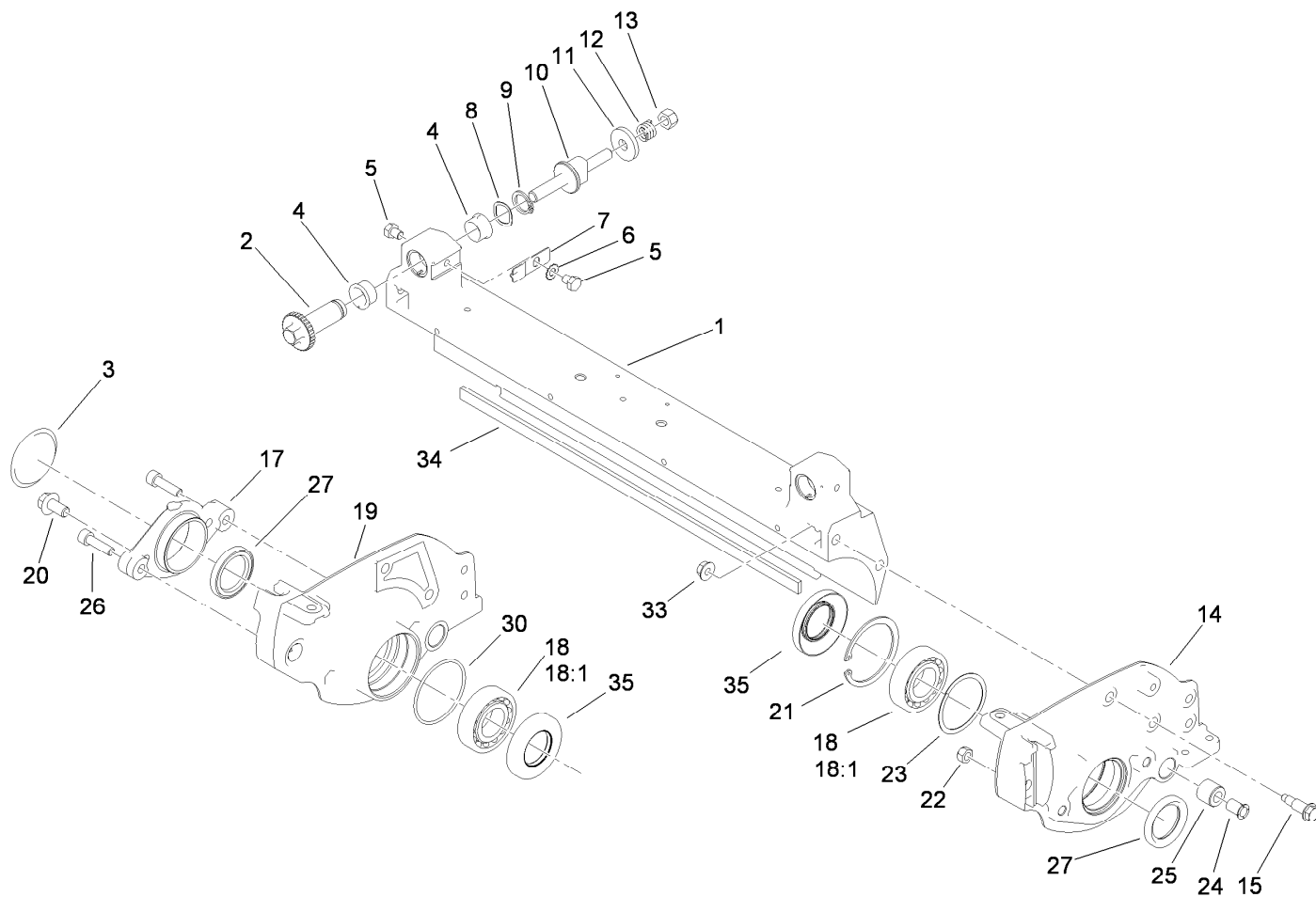
For example, in an illustration, the reference number 2X 37 means that two of the parts identified by reference number 37 are indicated.

List of Abbreviations

AR: as required	HSBH: hex socket button head	SFH: slotted fillister head
ASM: assembly	HSFH: hex socket flat head	SHH: slotted hex head
BBC: blade brake control	HSH: hex socket head	SHWH: slotted hex washer head
BHTF: button head thread forming	HWH: hex washer head	SPH: slotted pan head
CARR: carriage	HWHTF: hex washer head thread forming	SQH: square head
CCW: counter clockwise	HYD: hydraulic	SRH: slotted round head
CW: clockwise	LH: left hand	STD: standard
DEG: degrees	LP: Liquid Propane	TAP: self tapping
ECM: electronic control module	NI: nylon insert	TTH: torx truss head
EXT: external	NPTF: national pipe thread fine	
FH: flat head	PFH: phillips flat head	
GA: gauge	PPH: phillips pan head	
HD: heavy-duty	PPHTF: phillips pan head thread forming	
HF: hex flange	PRH: phillips round head	
HH: hex head	PTH: phillips truss head	
HHF: hex head flange	PTO: power-take-off	
HHFTF: hex head flange thread forming	RH: right hand	
HJ: hex jam	ROPS: roll-over protection system	
HLH: hex lag head	RRB: rear roller brush	
HOC: height-of-cut		

Contents

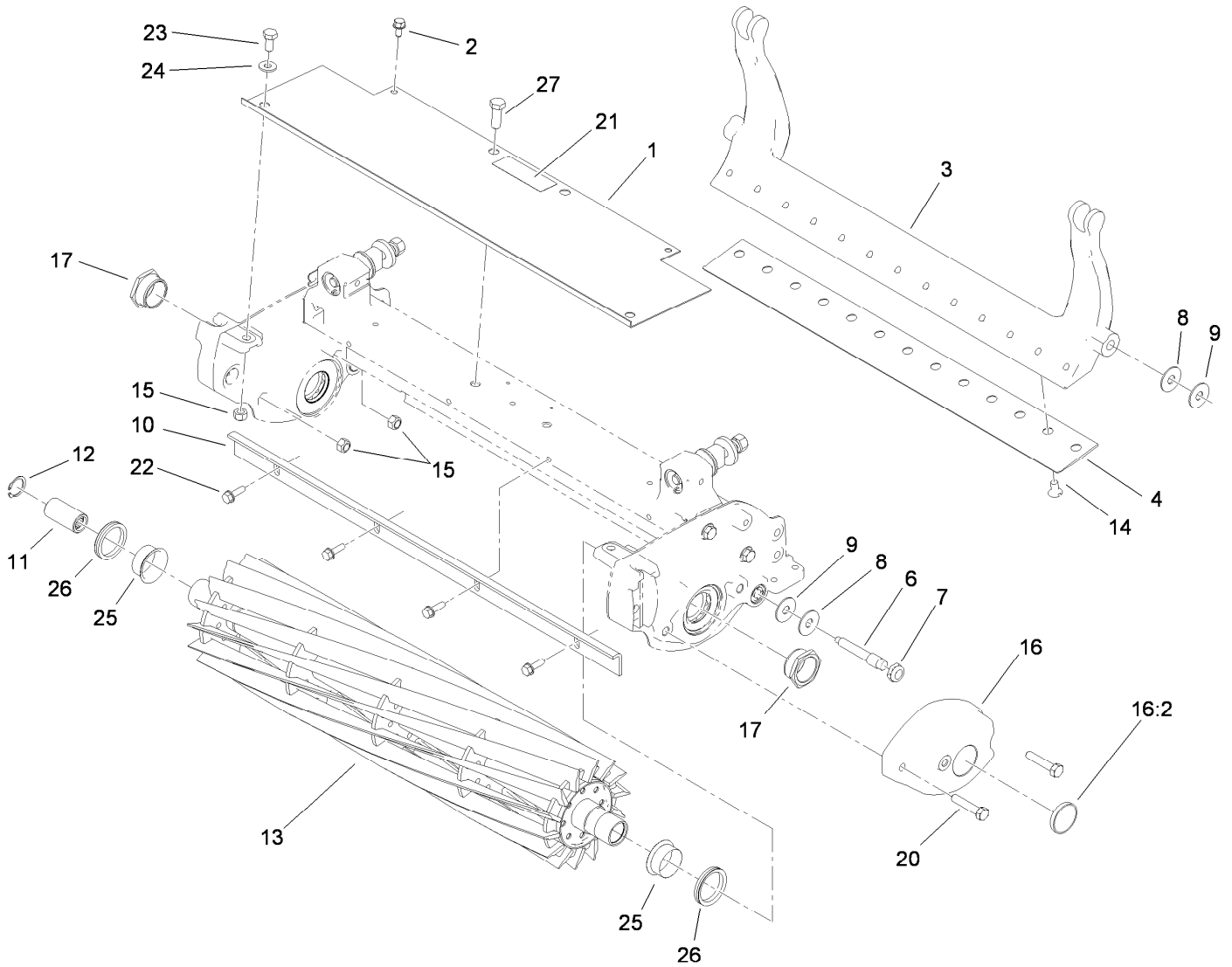
- Frame Assembly..... 4
- Bedbar and Reel Assembly 5
- Rear Roller Assembly 6
- Roller Seal Rebuild Kit Assembly No. 107-1594 7
- Attachments and Accessories 8



Frame Assembly

Ref.	Part Number	Qty.	Description	Ref.	Part Number	Qty.	Description
1	119-9303	1	Crossmember	18		2	Bearing-Packed, Grease ●
2	106-5363	2	Shaft-Adjuster	18:1	93-2489	1	Bearing
3	2410-30	1	Cap-Plastic	19	105-5797	1	Plate-Side, RH
4	106-5344	4	Bushing-Flange, Keyed	20	106-2633	2	Screw-HHF
5	322-26	4	Screw-HH	21	106-6914	1	Ring-Snap, Internal
6	3255-8	2	Washer-Lock	22	33024-00	2	Nut-Lock
7	99-2097	2	Detent	23	105-5700	1	Washer-Wave
8	106-5335	2	Washer-Wave	24	52-2890	2	Bushing-Nylon
9	32120-93	2	Ring-Retaining	25	63-9510	2	Bushing
10	99-2096	2	Screw-Adjuster, Bedbar	26	94-3559	2	Screw-HSH
11	99-2098	2	Washer	27	253-134	2	Seal-Grease
12	99-3755	2	Spring-Compression	30	106-2607	1	O-Ring
13	33025-00	2	Nut-Lock, NI	33	98-0668	4	Nut
14	105-5795	1	Plate-Side, LH	34	106-2619	1	Strip-Seal
15	105-5774	4	Bolt-Shoulder	35	106-6926	2	Seal-Grease
17	104-9447	1	Adapter-Motor				

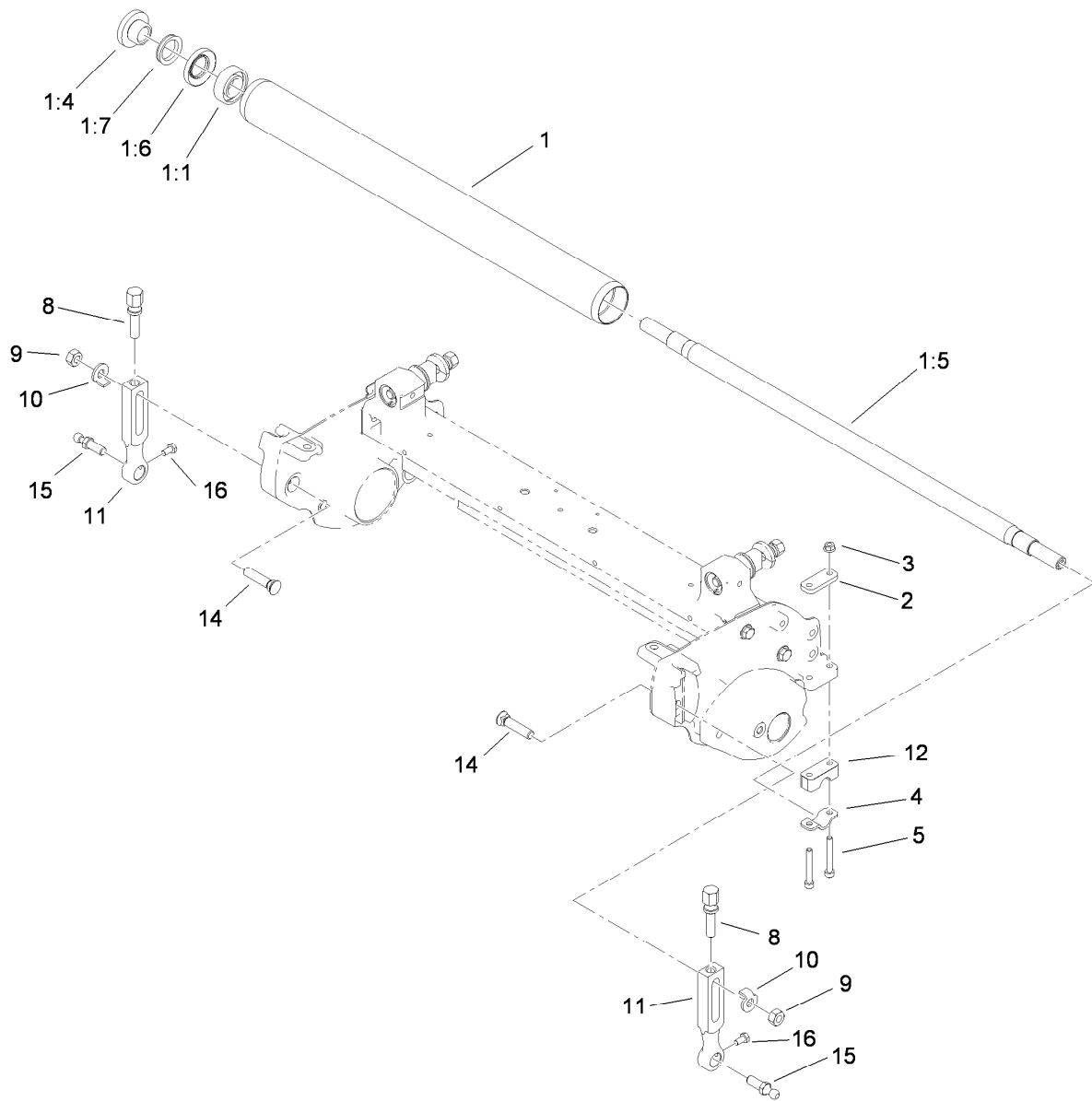
● Not serviced separately



Bedbar and Reel Assembly

Ref.	Part Number	Qty.	Description	Ref.	Part Number	Qty.	Description
1	119-3577-01	1	Shield-Grass	12	105-5775	1	Ring-Retaining
2	104-2628	2	Screw-HWH	13	115-5370	1	Reel-14 Blade
3	106-2648-01	1	Bedbar	14	57-4910	13	Screw-Special
4	115-1880	1	Bedknife-Edgemax, Microcut ●	15	33024-00	4	Nut-Lock
4	115-1881	1	Bedknife-Edgemax, Tournament ●	16	105-5709	1	Weight ASM
4	93-4262	1	Bedknife-Microcut ●	16:2	105-5708	1	Plug-Expansion
4	93-4263	1	Bedknife-Tournament Cut ●	17	105-5706	2	Nut-Lock, Bearing
4	93-4264	1	Bedknife-Low Cut ●	20	33114-040	2	Screw-HH
6	117-9493	2	Bolt-Bedbar	21	119-3504	1	Decal-Regulatory
7	3296-28	2	Nut-Lock, NI	22	110-3986	4	Screw
8	52-2860	4	Washer	23	33114-016	2	Screw-HH
9	52-2900	4	Washer-Plastic	24	3256-2	2	Washer-Flat
10	106-6924-03	1	Bar-Cutoff	25	106-6927	2	Sleeve
11	94-4507	1	Coupler-Splined	26	106-6929	2	V-Ring
				27	323-6	2	Screw-HH

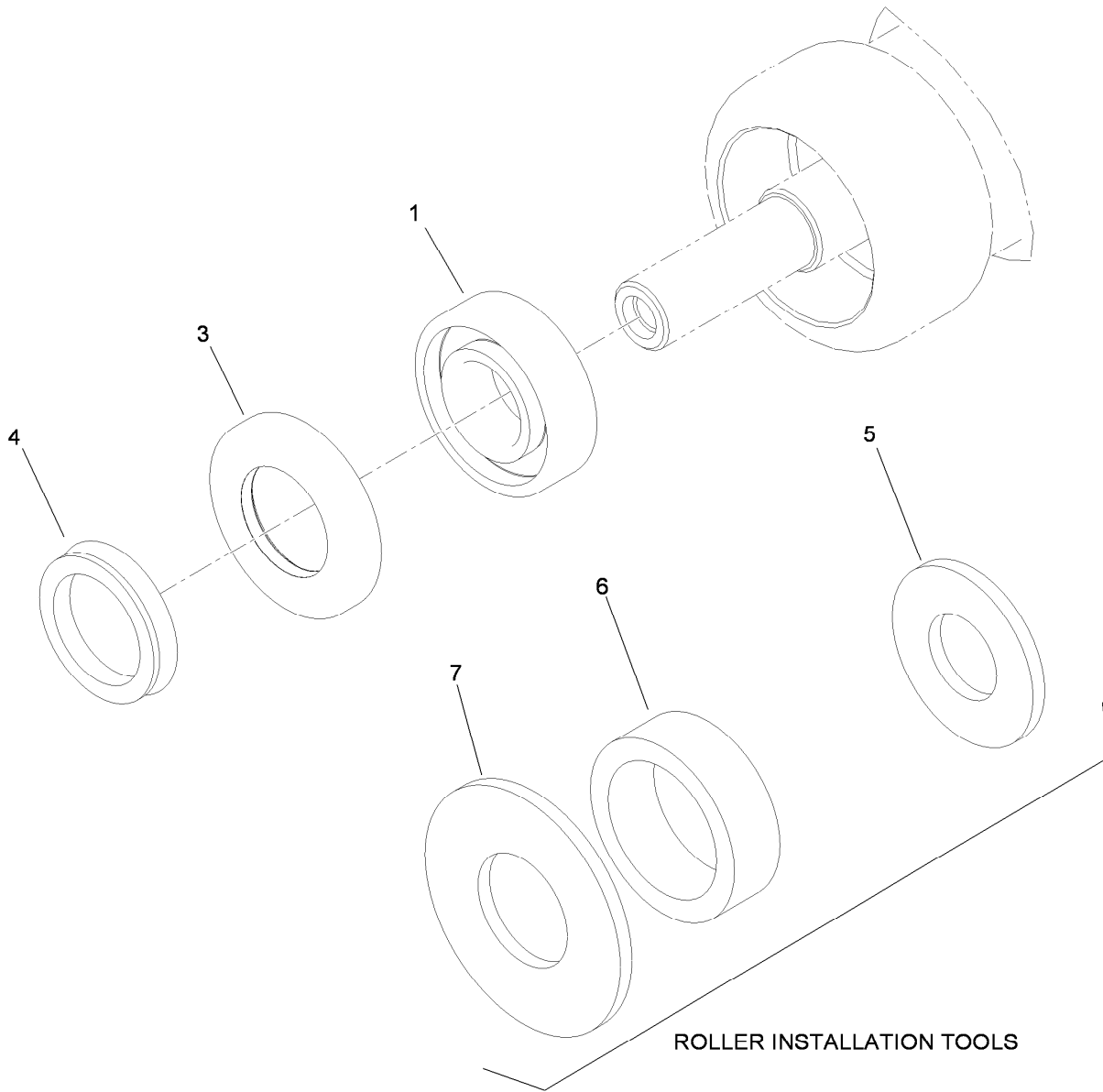
● Optional Equipment



Rear Roller Assembly

Ref.	Part Number	Qty.	Description
1	106-6945	1	21 Inch Full Roller ASM
1:1	251-347	2	Bearing-Ball
1:4	108-3151	2	Nut-Lock, Bearing
1:5	106-6940	1	Shaft-Roller
1:6	106-6941	2	Seal
1:7	106-6942	2	V-Ring
2	105-5711	2	Shim-Roller
3	33003-00	4	Nut-HF
4	105-5712	2	Retainer-Shaft

Ref.	Part Number	Qty.	Description
5	106-2603	4	Screw-HSH
8	110-7352	2	Screw-HOC
9	106-4668	2	Nut-Lock
10	104-2603	2	Washer-HOC
11	110-7351	2	Arm-HOC
12	105-5710	2	Spacer-Roller
14	105-5342	2	Bolt-Plow
15	94-2958	2	Stud-Ball
16	33113-012	2	Screw-HH



Roller Seal Rebuild Kit Assembly No. 107-1594

<i>Ref.</i>	<i>Part Number</i>	<i>Qty.</i>	<i>Description</i>
1	251-347	2	Bearing-Ball
3	106-6941	2	Seal
4	106-6942	2	V-Ring
5	107-8133	2	Washer-Flat
6	107-3505	2	Spacer-Tool, Roller
7	104-6126	2	Washer-Flat

Attachments and Accessories

For 04616 14-Blade DPA Reel Mower Greensmaster 3000 Series

Product Name	Model/Part
Full Roller Kit	04625
Narrow Wiehle Roller Kit.....	04626
Wide Wiehle Roller Kit	04627
Steel Roller Kit.....	04628
Dampening Roller Kit.....	04629
DPA Reel Mower Rear Roller Brush, Greensmaster 3150	04640
DPA Reel Mower Rear Roller Brush, Greensmaster 3250-D.....	04641
DPA Reel Mower Rear Roller Scraper Kit	04646
Heavy Duty 5 Blade Reel ASM	106-2626
High Height-of-Cut Kit.....	106-4699
Shim	106-6923
Replacement Seal Kit	106-6937
Extended Grass Shield ASM	107-3503-01
Wiehle DPA Steel Roller ASM.....	107-3510
Heavy Duty 8 Blade Reel ASM	107-9522
Roller Scraper Kit.....	107-9561
Bedknife-Tournament, Extended	108-4302
Bedknife-Microcut, Extended.....	108-4303
Front Scraper Kit for Narrow Wiehle Roller	108-6468
Front Scraper Kit for Wide Wiehle Roller.....	110-3961
Front Scraper Kit for Full Roller.....	110-3962
Front Brush Kit for Narrow Wiehle Roller	110-3963
Front Brush Kit for Wide Wiehle Roller.....	110-3964
Front Brush Kit for Full Roller	110-3965
Front Comb Kit for Narrow Wiehle Roller	110-3966
Front Comb Kit for Wide Wiehle Roller.....	110-3967
Front Comb Kit for Full Roller.....	110-3968
Rear Roller Extension Kit.....	112-9294
Rear Roller Scraper Kit.....	112-9353
Rear Roller Adjustment Kit.....	114-4630
Rear Roller Brush Service Kit	114-4631
Bedknife-Fairway.....	63-8600
Wiehle Roller ASM (Cast Iron).....	71-1550
Bedknife-Microcut.....	93-4262
Bedknife-Tournament Cut.....	93-4263
Bedknife-Low Cut	93-4264
Bedknife-Highcut	94-6392
Bedbar-Aggressive	99-3794-03

Notes:

Notes:

Notes:



Count on it.