



Count on it.

Parts Catalog

53cm Recycler® Lawn Mower

Model No. 20999—Serial No. 311000001 and Up

Ordering Replacement Parts

To order replacement parts, please supply the part number, the quantity, and the description of each part desired.

Understanding Reference Numbers

Each identified part in an illustration has a reference number. The reference number for a part also appears in the parts list, along with other information about the part.

This catalog uses two special reference number formats, one to indicate parts in a service assembly and another to indicate the quantity of a given part in an illustration.

Service Assembly Reference Numbers

Parts in service assemblies have reference numbers in the form a:b. The a represents the reference number of the entire service assembly and the b represents a sequential number unique to each part within the service assembly.

For example, a wheel assembly might be identified by reference number 6, the tire by 6:1, the valve by 6:2, and the wheel by 6:3. When you order the assembly identified by reference number 6, you receive all parts identified by reference numbers 6:1, 6:2, and 6:3. However, you may also order any part individually. Reference numbers of this type appear in illustration and in parts lists.

Reference Numbers Indicating Quantity

In an illustration, if a reference number indicates more than one part, the reference number has the form nX y. The n represents the quantity of the part, the X is the multiplication symbol, and the y represents the reference number.

For example, in an illustration, the reference number 2X 37 means that two of the parts identified by reference number 37 are indicated.

List of Abbreviations

AR: as required

ASM: assembly

BBC: blade brake control

BHTF: button head thread forming

CARR: carriage

CCW: counter clockwise

CW: clockwise

DEG: degrees

DPA: Dual Point Adjustment

ECM: electronic control module

EXT: external

FH: flat head

GA: gauge

HD: heavy-duty

HF: hex flange

HH: hex head

HHF: hex head flange

HHFTF: hex head flange thread forming

HJ: hex jam

HLH: hex lag head

HOC: height-of-cut

HSBH: hex socket button head

HSFH: hex socket flat head

HSH: hex socket head

HWH: hex washer head

HWTF: hex washer head thread forming

HYD: hydraulic

LH: left hand

LP: Liquid Propane

NI: nylon insert

NPTF: national pipe thread fine

PFH: phillips flat head

PPH: phillips pan head

PPHTF: phillips pan head thread forming

PRH: phillips round head

PTH: phillips truss head

PTO: power-take-off

RH: right hand

ROPS: roll-over protection system

RRB: rear roller brush

SFH: slotted fillister head

SHH: slotted hex head

SHWH: slotted hex washer head

SPH: slotted pan head

SQH: square head

SRH: slotted round head

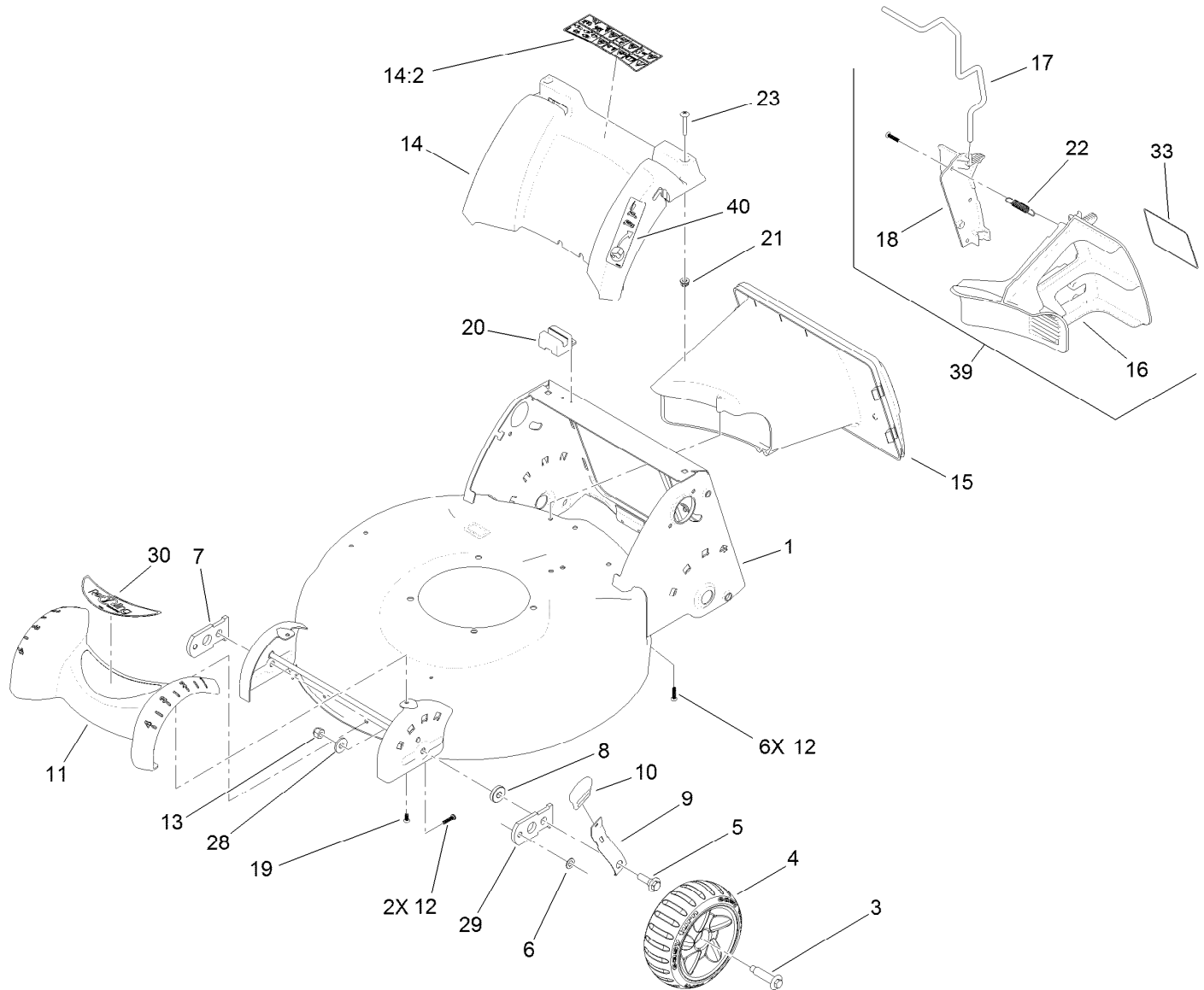
STD: standard

TAP: self tapping

TTH: torx truss head

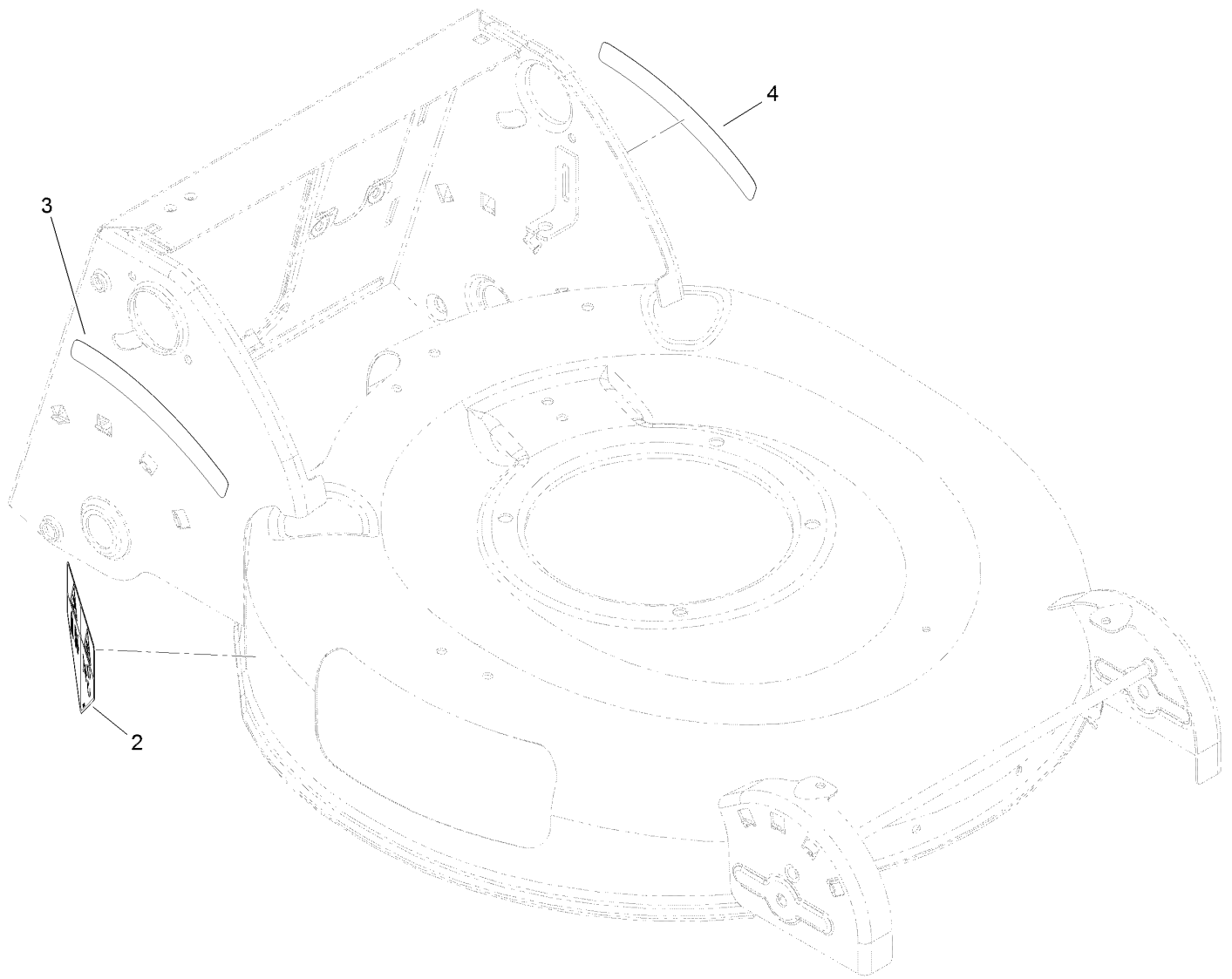
Contents

Deck Housing, Front Wheel and Rear Door Assembly	4
Deck Baffle Assembly No. 117-4193	5
Rear Axle and Transmission Assembly	6
Upper Handle Assembly	7
Lower Handle Assembly	8
Engine and Blade Assembly	9
Rear Bag Assembly	10



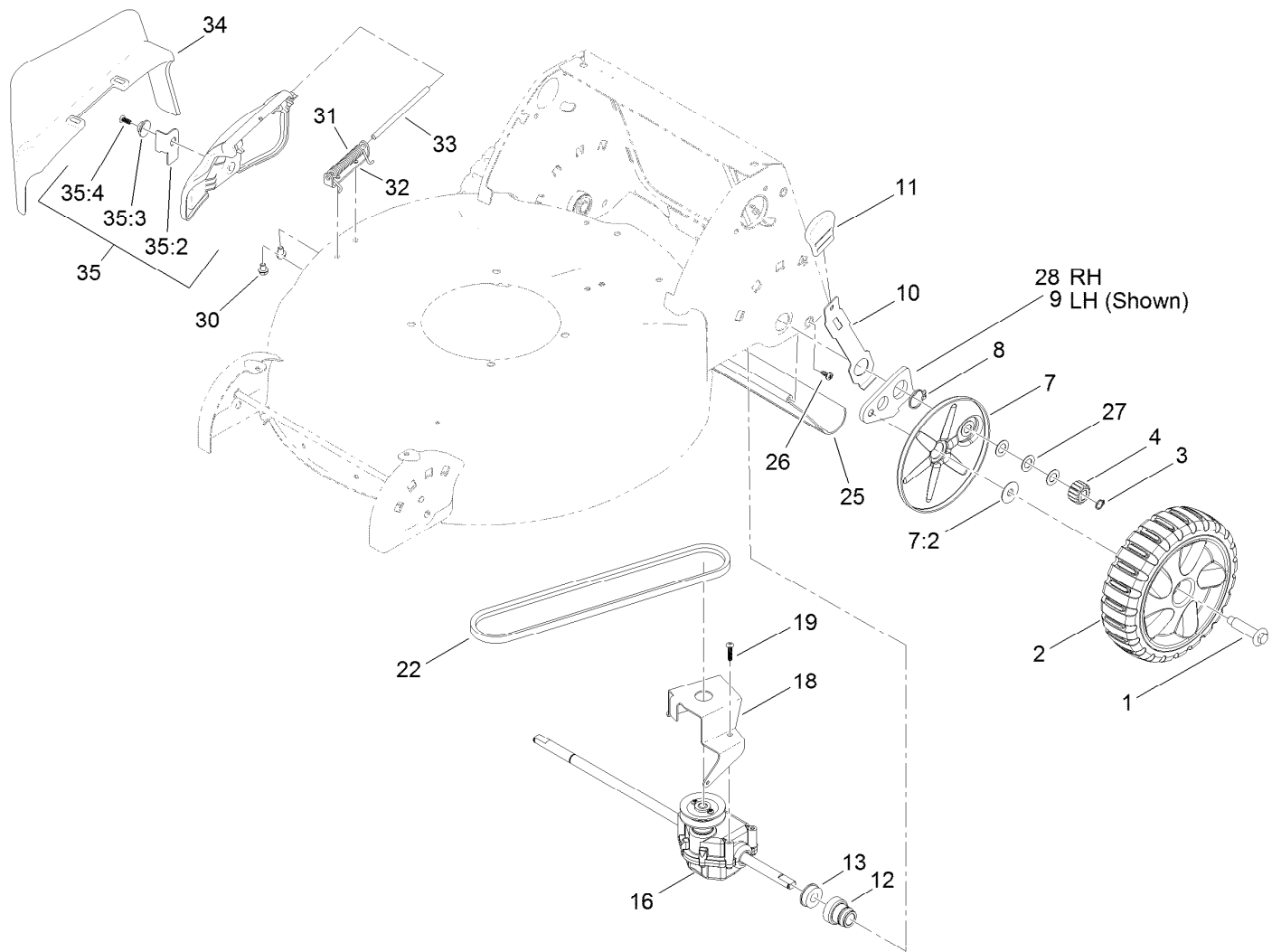
Deck Housing, Front Wheel and Rear Door Assembly

<i>Ref.</i>	<i>Part Number</i>	<i>Qty.</i>	<i>Description</i>	<i>Ref.</i>	<i>Part Number</i>	<i>Qty.</i>	<i>Description</i>
1	117-4193	1	Deck Baffle ASM	15	110-9455	1	Tunnel
3	614650	2	Bolt-Shoulder	16	110-9446	1	Plug-Mulch, LH
4	119-3777	2	7 Inch Wheel And Tire ASM (White)	17	110-9448	1	Latch-Plug, Mulch
5	614672	2	Bolt-Shoulder	18	110-9447	1	Plug-Mulch, RH
6	40-1940	2	Washer	19	108-7475	2	Screw-Plastite
7	107-3877	1	Arm-Pivot, RH	20	110-1786	1	Module-Switch
8	92-4890	2	Washer	21	94-1610	2	Nut-Clip
9	107-3878	2	Arm-Spring	22	110-9458	1	Spring-Extension
10	110-0549	2	Knob-HOC	23	108-0965	2	Screw-PTH
11	107-3926	1	Cover-Front	28	80-6990	2	Washer-Hardened
12	108-7476	8	Screw-Plastite	29	108-1044	1	Arm-Pivot, LH
13	3296-39	2	Nut-Lock, NI	30	120-1947	1	Decal-Front (Ce)
14	115-3177	1	Cover-Rear	33	110-9457	1	Decal-Plug, Mulch
14:2	114-2820	1	Decal-Warning	39	110-9468	1	Mulch Plug ASM
				40	117-5902	1	Decal-Quick Stow



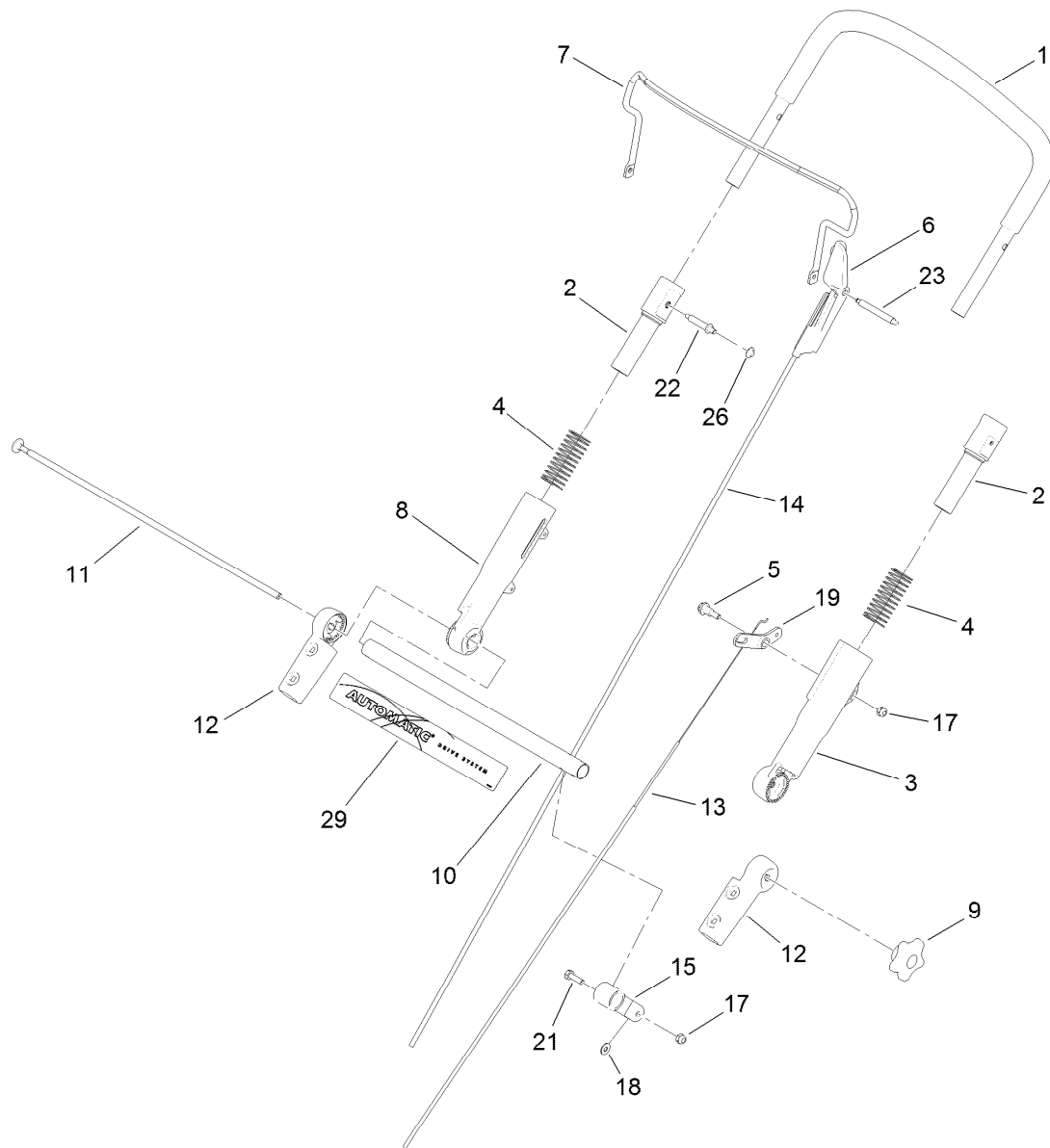
Deck Baffle Assembly No. 117-4193

<i>Ref.</i>	<i>Part Number</i>	<i>Qty.</i>	<i>Description</i>
2	112-8760	1	Decal-Danger
3	108-7450	1	Decal-HOC, RH
4	108-7451	1	Decal-HOC, LH



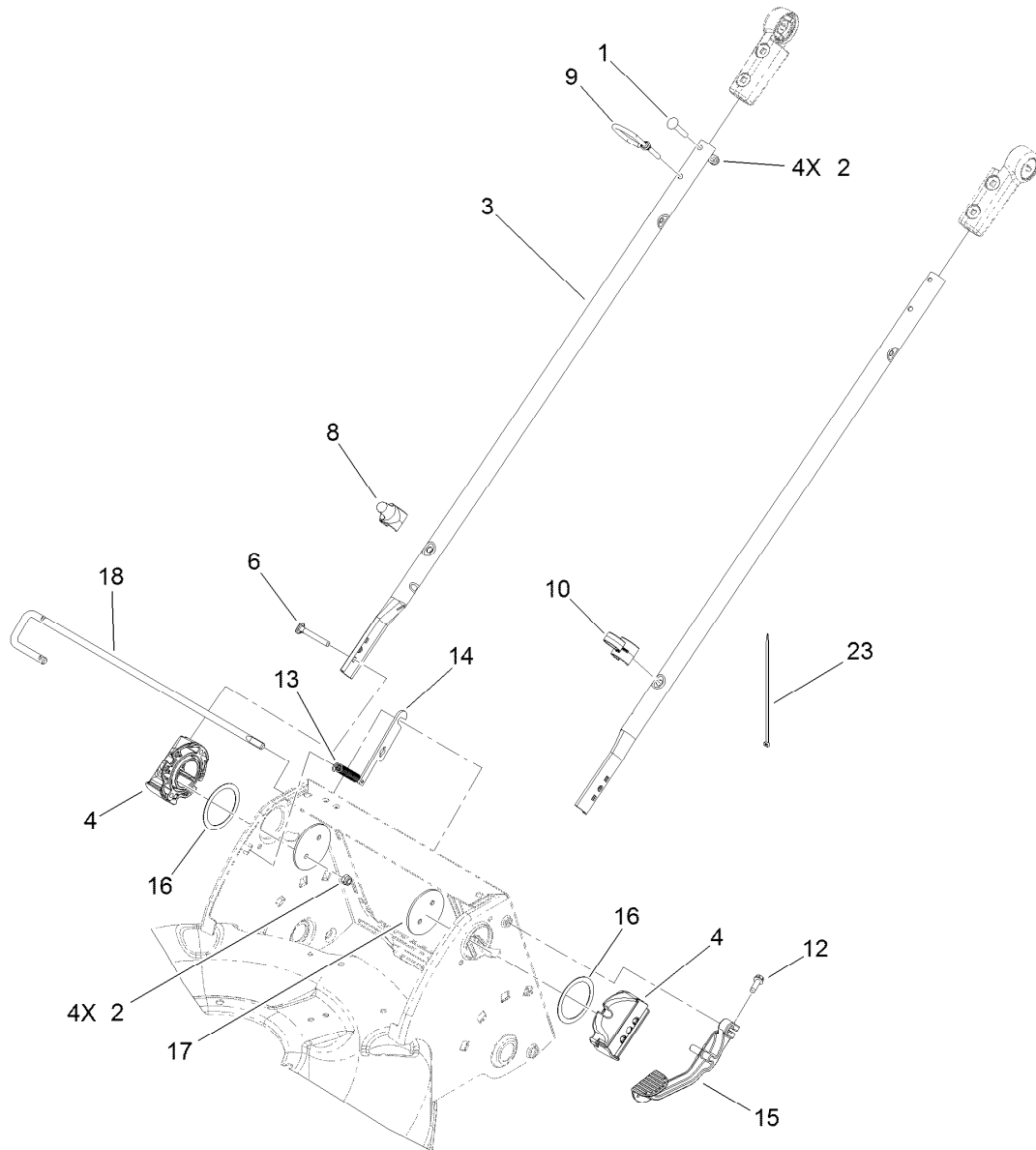
Rear Axle and Transmission Assembly

Ref.	Part Number	Qty.	Description	Ref.	Part Number	Qty.	Description
1	614650	2	Bolt-Shoulder	19	120-0185	3	Screw-Ph, T20
2	119-7067	2	8 Inch Wheel And Gear ASM (White)	22	110-9429	1	V-Belt
3	32151-61	2	Ring-Retaining	25	112-8768	1	Shield-Trailing
4	110-9417	2	Gear-Pinion, 15T	26	117-1092	2	Screw-PTH
7	110-1792	2	Wheel Cover ASM	27	36-4780	3	Washer-Plain
7:2	614426	1	Washer-Stepped	28	108-9343	1	Arm-Rear Pivot, RH
8	32151-36	2	Ring-Retaining	30	99-8445	2	Screw-HWH
9	108-9344	1	Arm-Rear Pivot, LH	31	99-5293	1	Spring-Torsion
10	110-9445	2	Arm-Spring, Rear	32	112-6416	1	Bracket-Cover
11	110-0549	2	Knob-HOC	33	99-5291	1	Rod-Cover
12	104-8698	2	Retainer-Bearing, HOC	34	105-3028	1	Chute-Discharge, Side
13	104-8699	2	Bearing-Ball	35	106-8376	1	Discharge Door ASM
16	110-9414	1	Transmission ASM	35:2	107-0795	1	Latch-Door
18	114-7977-03	1	Bracket-Transmission	35:3	107-7456	1	Cap-Door
				35:4	107-7461	1	Screw-Plastite



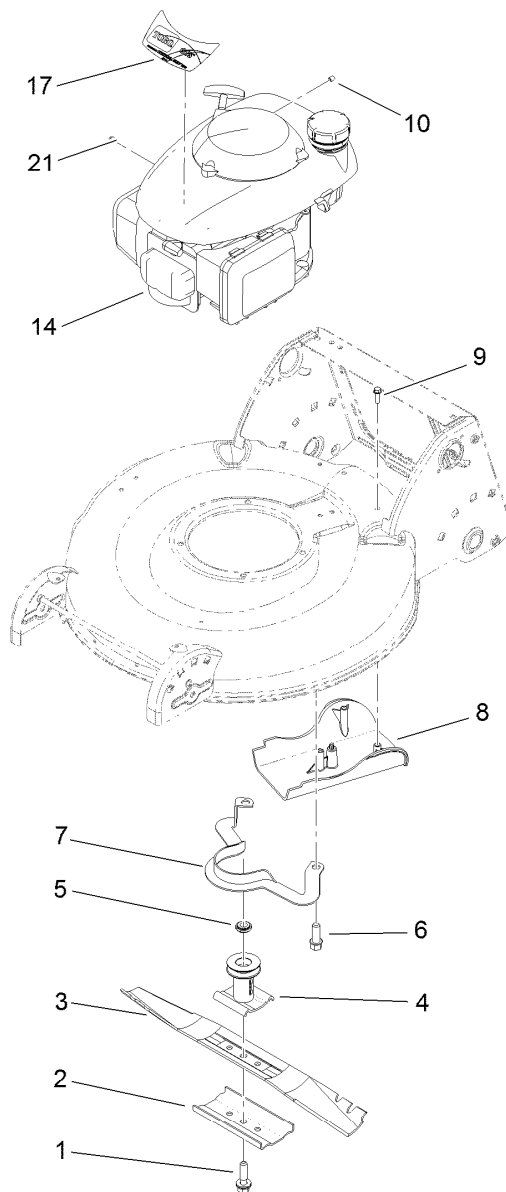
Upper Handle Assembly

Ref.	Part Number	Qty.	Description	Ref.	Part Number	Qty.	Description
1	108-0974	1	Upper Handle ASM	13	107-3902	1	Cable-Traction
2	112-8754	2	Sleeve-Inner	14	107-3903	1	Cable-Brake
3	112-1544	1	Sleeve-Outer, LH	15	112-8801	1	Clamp-Cable
4	107-3869	2	Spring-Compression	17	3296-73	2	Nut-Lock, NI
5	104-0858	1	Bolt-Shoulder	18	3256-1	1	Washer-Flat
6	112-8764	1	Stop-Pivot	19	107-3893	1	Lever-Traction
7	110-1819-03	1	Bail-Brake	21	321-5	1	Screw-HH
8	112-1545	1	Sleeve-Outer, RH	22	108-0959	1	Pin-Handle
9	117-5976	1	Knob-Handle, Locking	23	108-1008	1	Pin-Bail, LH
10	107-3867-03	1	Tube-Cross	26	108-9378	1	Retainer-Push On
11	107-3871	1	Rod-Threaded	29	120-3907	1	Decal-Ads
12	107-3865	2	Mount-Handle, Lower				



Lower Handle Assembly

<i>Ref.</i>	<i>Part Number</i>	<i>Qty.</i>	<i>Description</i>	<i>Ref.</i>	<i>Part Number</i>	<i>Qty.</i>	<i>Description</i>
1	108-0988	3	Screw-CARR	12	49-2040	1	Screw-HWHTF
2	3296-73	8	Nut-Lock, NI	13	112-1542	1	Spring-Extension
3	107-3887-03	2	Tube-Lower	14	112-1539	1	Plate-Rod, Release
4	119-3847-03	2	Mount-Handle	15	110-1823-03	1	Lever-Release
6	95-4453	4	Screw	16	107-3947	2	Washer-Nylon
8	117-4141	1	Guide-Rope, Lower	17	107-3944-03	2	Plate
9	107-3908	1	Guide-Rope, Upper	18	112-8755	1	Rod-Release, Handle
10	114-7988	1	Guide-Cable	23	614249	1	Strap-Tie

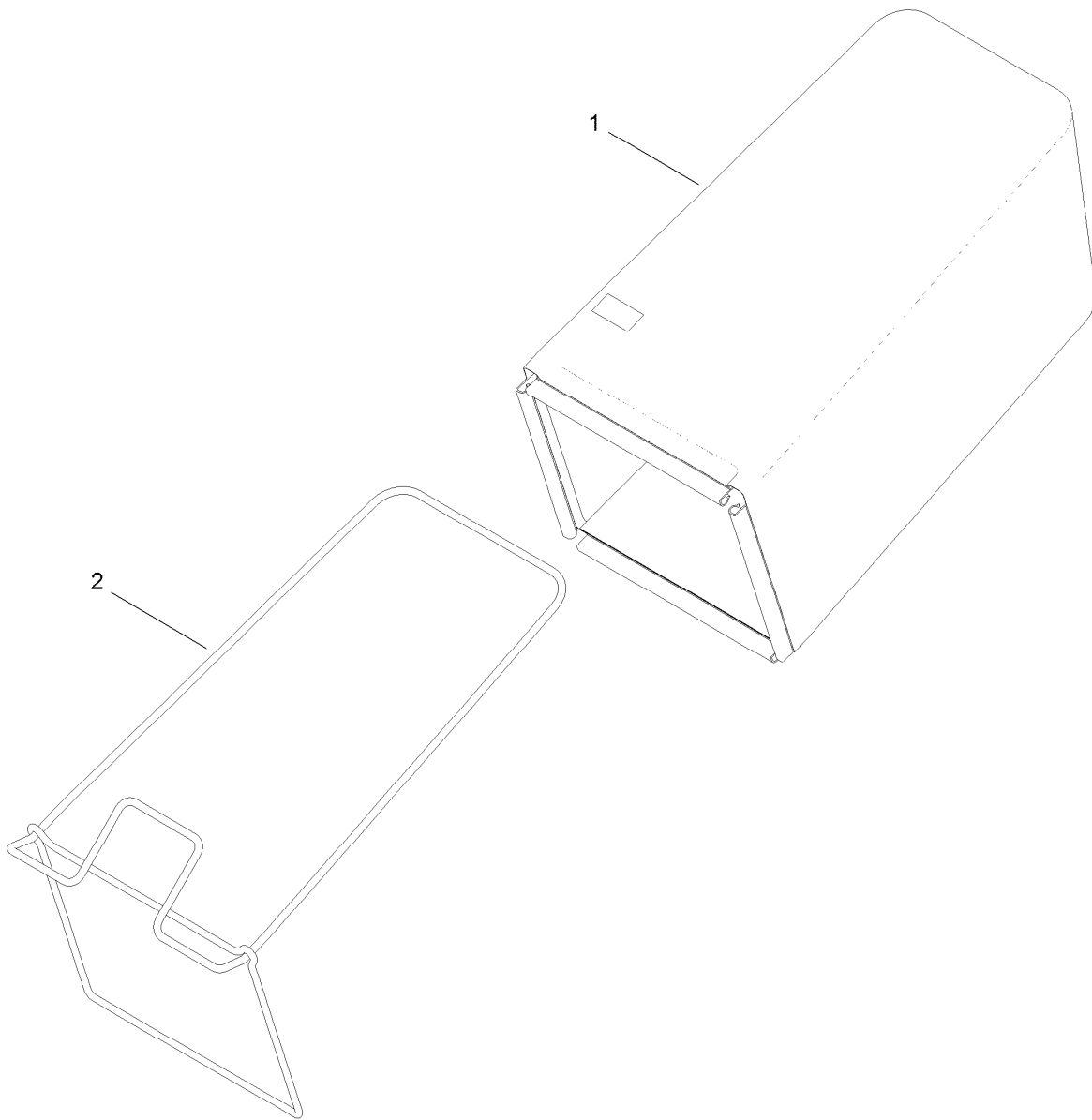


Engine and Blade Assembly

Ref.	Part Number	Qty.	Description
1	117-5270	1	Bolt-Blade
2	108-3766-03	1	Support-Blade
3	108-0954-03	1	Blade-21 Inch
4	114-2774	1	Driver-Blade
5	106-3999	1	Spacer-Driver
6	95-1726	3	Screw-Taptite
7	105-3030-03	1	Guide-Belt
8	110-1832	1	Cover-Belt
9	46-8091	3	Screw-HWH
10	2210-316	1	Stop-Rope
14		1	Engine-Honda, Gcv160A0 S3Te ●■
17	120-1949	1	Decal-Engine
21	98-1394	1	Screw-HWH

● Not serviced separately

■ Obtain parts from www.honda-engines.com



Rear Bag Assembly

<i>Ref.</i>	<i>Part Number</i>	<i>Qty.</i>	<i>Description</i>
1	119-7000	1	Grass Bag ASM
2	112-8750-03	1	Frame-Bag

Notes:



Count on it.